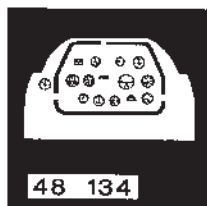
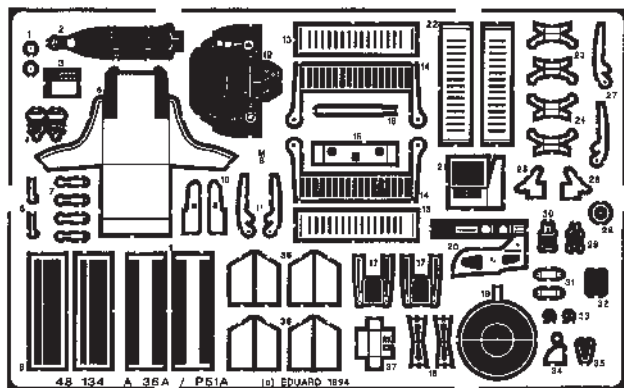









# A-36 A / P51

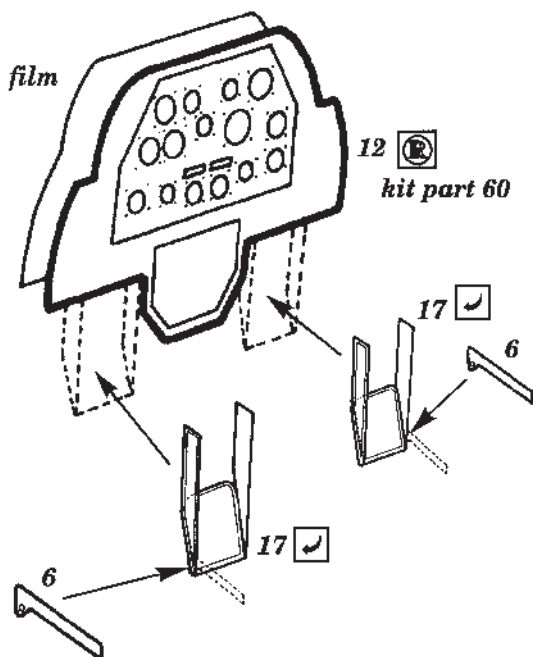
## 48 134

1/48 scale detail set for ACCURATE MINIATURES kit

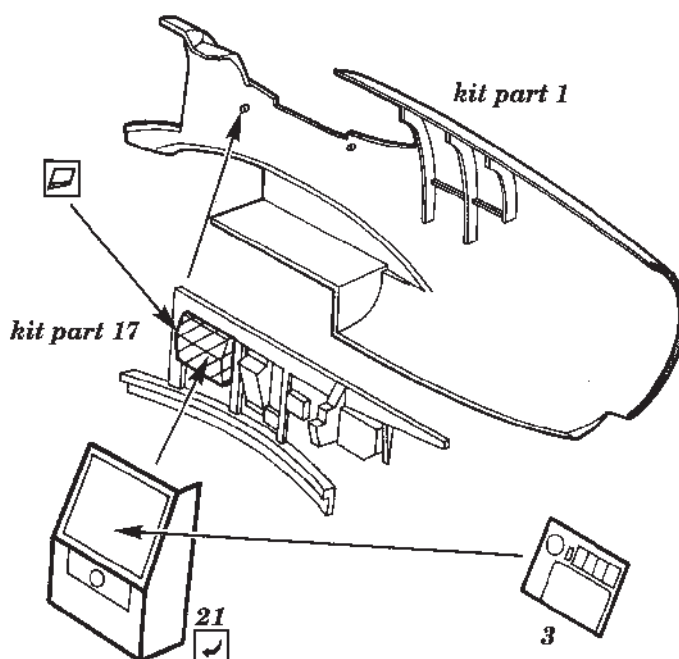


-  OPPOSITE SIDE
-  REMOVE
-  BEND
-  REPLACE
-  GRIND

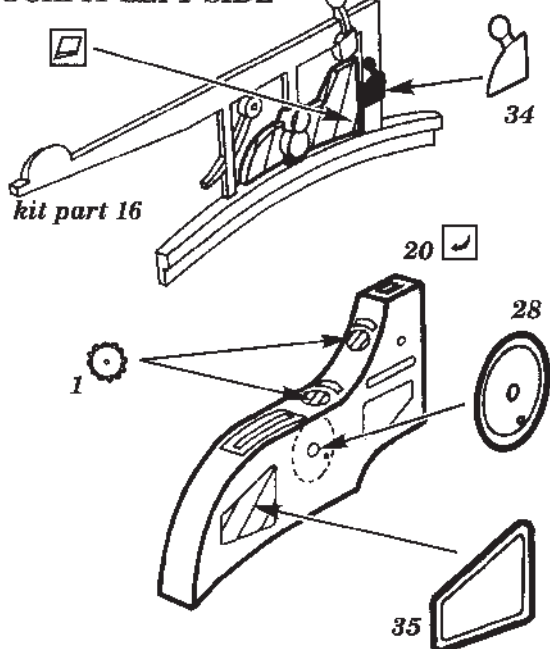
### INSTRUMENT PANEL



### COCKPIT RIGHT SIDE



### COCKPIT LEFT SIDE



### PILOT'S SEAT

