

MIRAGE 2000N US TOUR



1/48 MIRAGE 2000N US TOUR

The Dassault Mirage 2000N is a variant of the Mirage 2000 designed for nuclear strike. It formed the core of the French air-based strategic nuclear deterrent. The Mirage 2000D is its conventional attack counterpart.

Dassault has also developed the Mirage 2000D, which is a development of the Mirage 2000N designed for long-range precision strikes with conventional weapons. This aircraft is exactly the same as the Mirage 2000N, but introduces support for conventional attack missiles such as the Apache and Scalp missiles, as well as the AASM weapons. The first aircraft, converted from the Mirage 2000N prototype, flew on 19 February 1991, and the French Air Force ordered a total of 86 aircraft.

Formal development began in 1988. The designation was changed to Mirage 2000D in 1990, with the "D" standing for "Diversifie/Multirole". Initial flight of the Mirage 2000D prototype, a modified Mirage 2000N prototype, was on 19 February 1991. That led to first flight of a production aircraft 31 March 1993 and introduction to service in April 1995. 86 Mirage 2000Ds were built in all to last delivery in 2001.

The Escadron de Chasse 2/4 Lafayette (Fighter Squadron 2/4 La Fayette) is a squadron of the French Air and Space Force (Armée de l'air et de l'espace). It is currently stationed at BA 113 Saint-Dizier – Robinson Air Base (ICAO: LFSI), and is equipped with the Dassault Rafale C. The squadron has a long history dating back to the First World War, and has seen service in the Second World War, the French Indochina War and Algeria. It is now a nuclear strike squadron.

CAUTION

- *Read carefully and fully understand the instructions before commencing assembly.
- *Keep out of reach of children. Children must not be allowed to put any parts in their mouths, or pull plastic bag over their heads.
- *When using adhesives and paints, please make sure not to use them in closed room or near the fire.
- *When assembling this kit, tools including knives are used. Extra care should be taken to avoid injury.

WARNING: CONTAIN SMALL PARTS NOT FOR CHILDREN UNDER 14 YEARS OF AGE.



Drill



Remove



2 Set



Bend



Optional



Decal



Super Glue



Fill Hole



No Cement



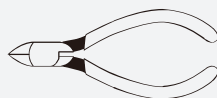
Be Careful

TOOLS RECOMMENDED

Cement



Side Cutter



Modeling Knife



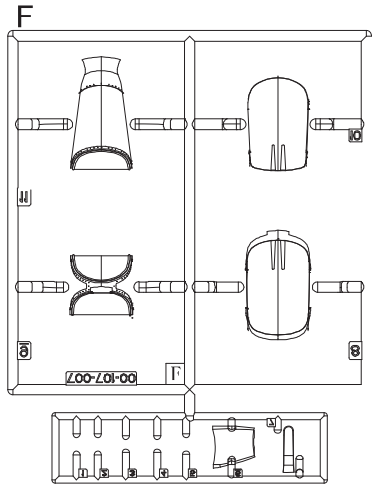
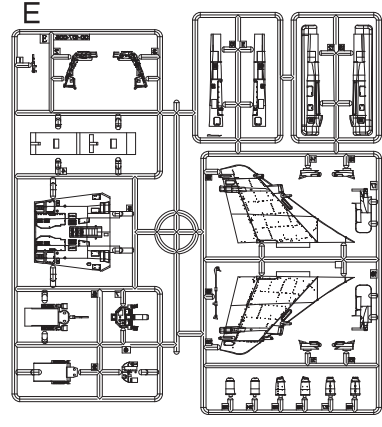
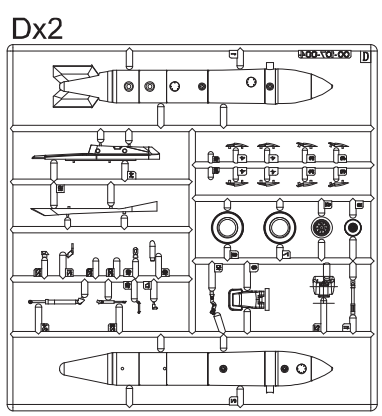
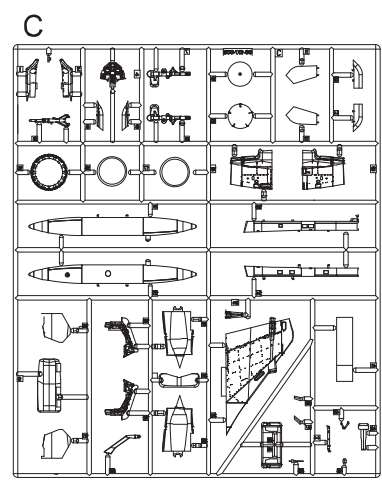
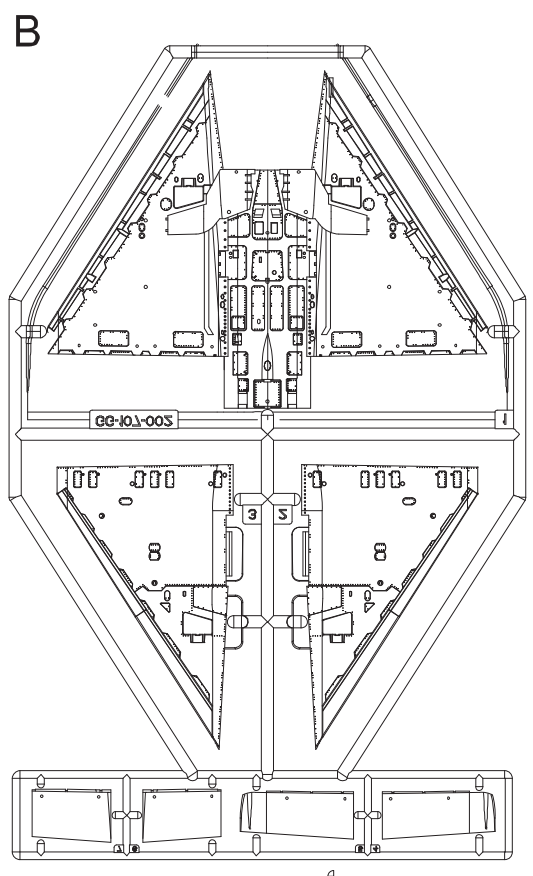
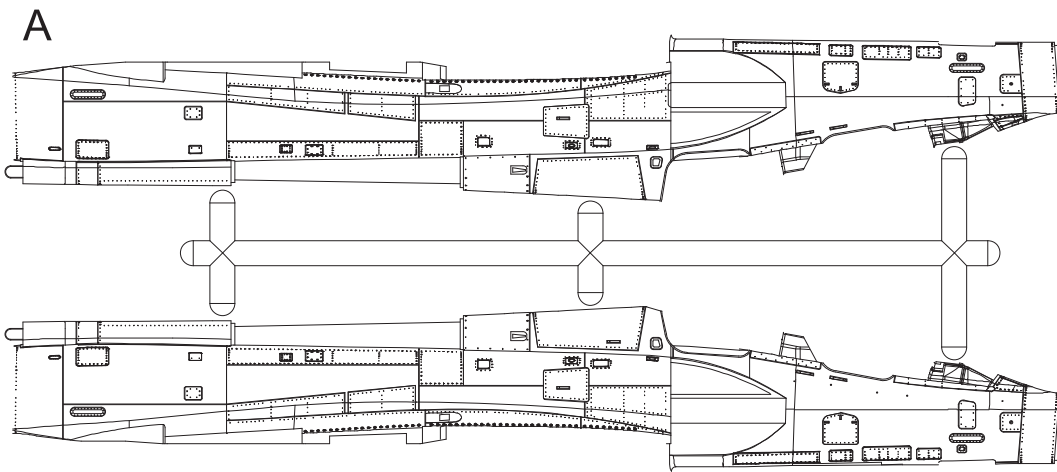
Tweezers



AFTERMARKET SERVICES CARD

When requesting replacement parts, please take or send this form to your local dealer so that the parts required can be correctly identified. Please note that specifications and availability are subject to change without notice. Or visit <http://www.kineticmodel.com> for latest information. For more information, please contact services@kineticmodel.com

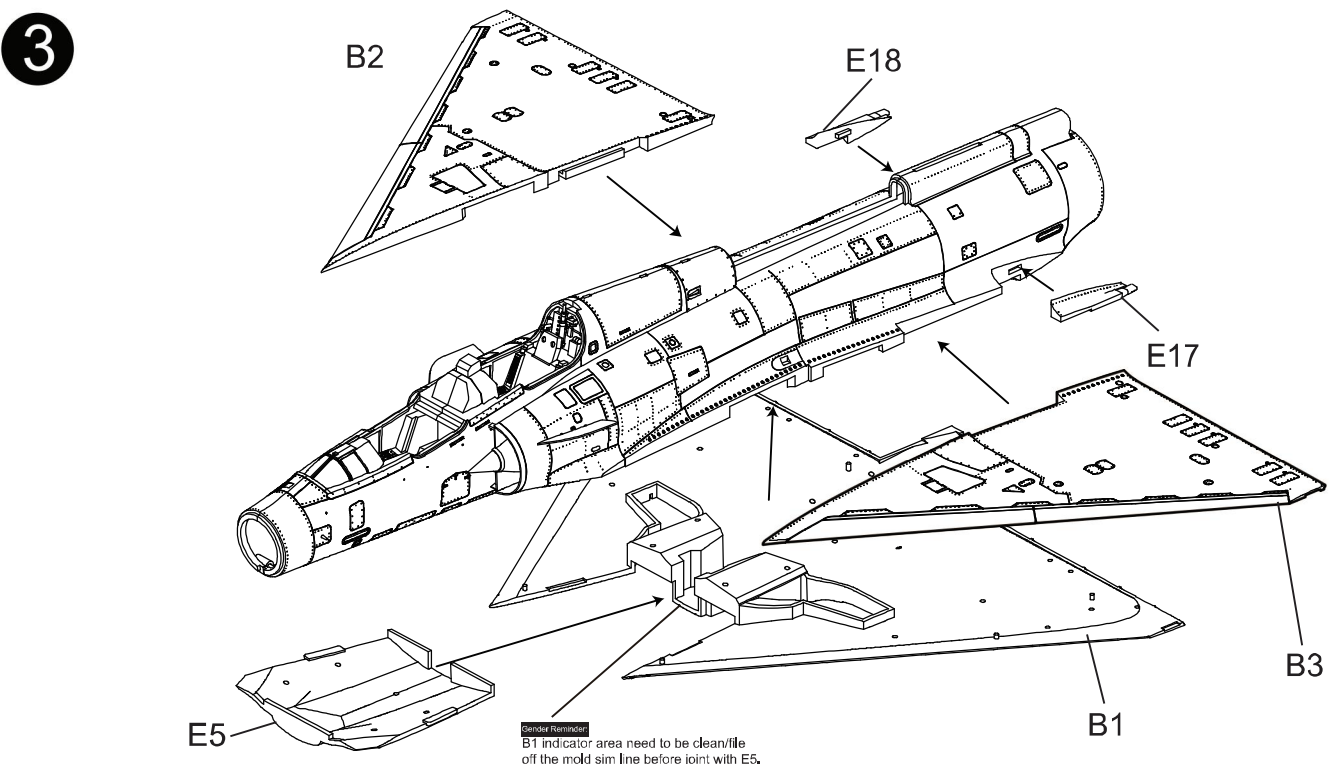
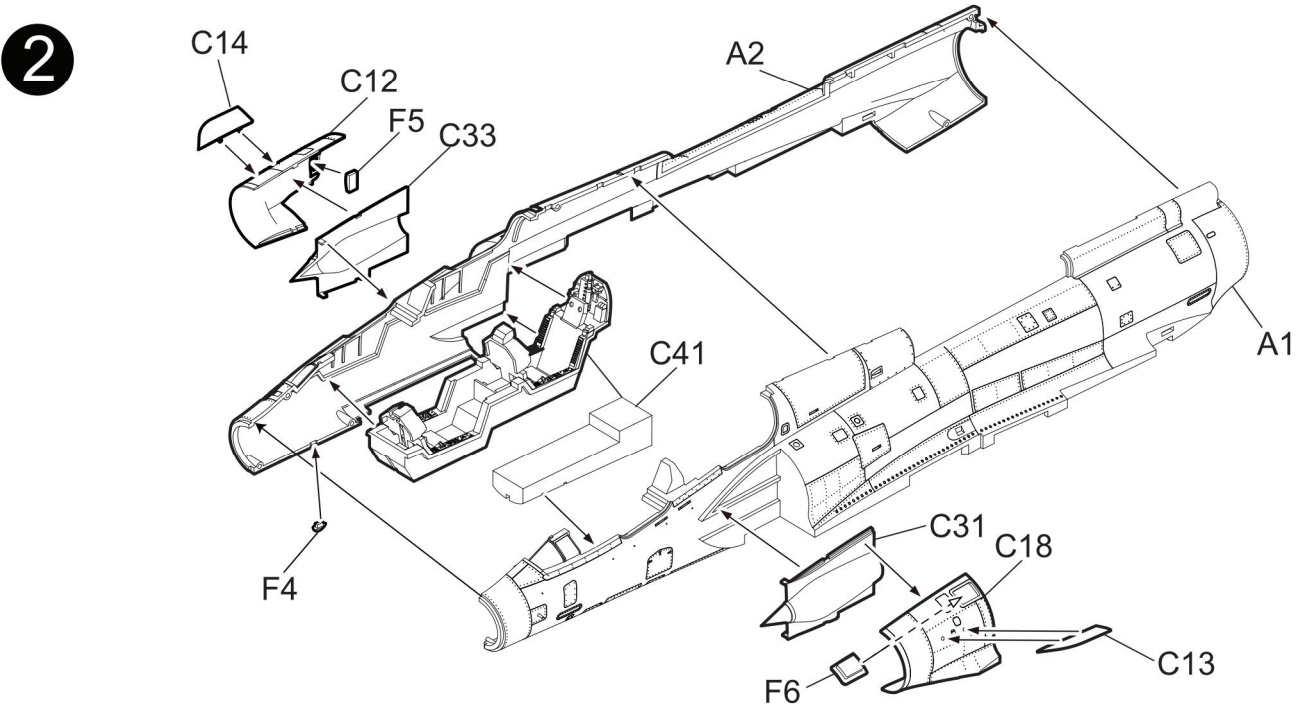
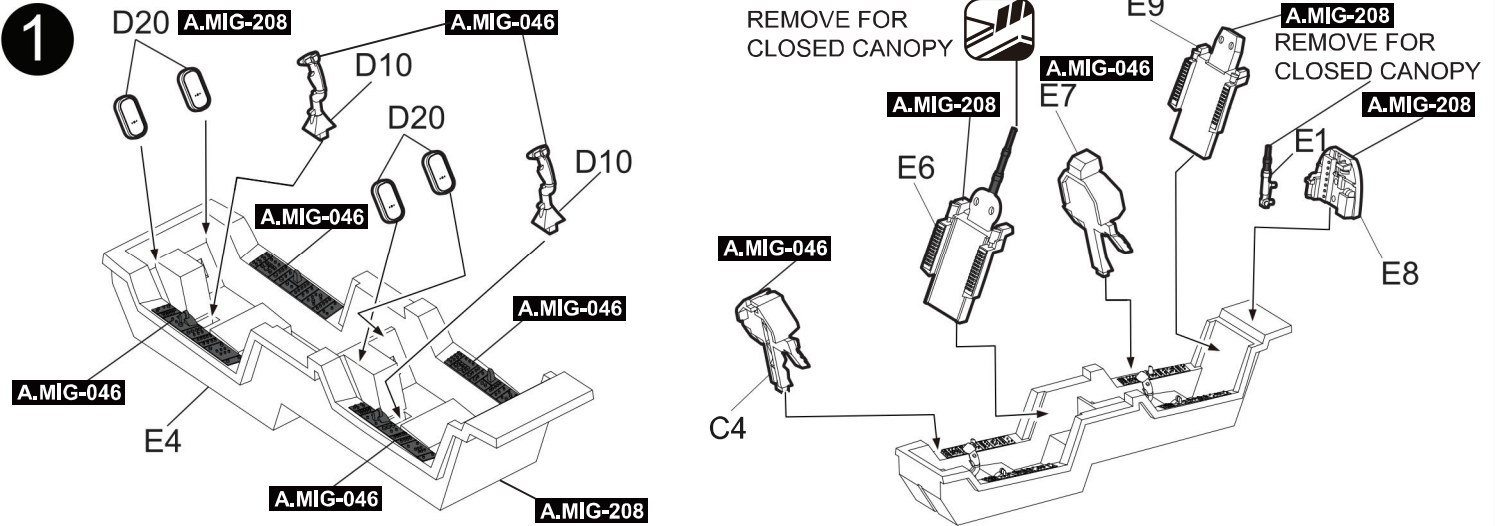
Part Code	K48124	Qty	Item
00-107-001	1/48 MIRAGE 2000 D/N FUESLAGE	1	A
00-107-002	1/48 MIRAGE 2000 MAIN WINGS	1	B
00-107-003	1/48 MIRAGE 2000 LANDING GEAR	1	C
00-107-004	1/48 MIRAGE 2000 WHEEL SETS	2	D
00-107-005	1/48 MIRAGE 2000 COMMON PARTS	1	E
00-107-007	1/48 MIRAGE 2000 D CLEAR PARTS	1	F
01-107-48124	1/48 MIRAGE 2000D US TOUR	1	Decal
03-107-48124	1/48 MIRAGE 2000 D/N FUESLAGE	1	MANUAL



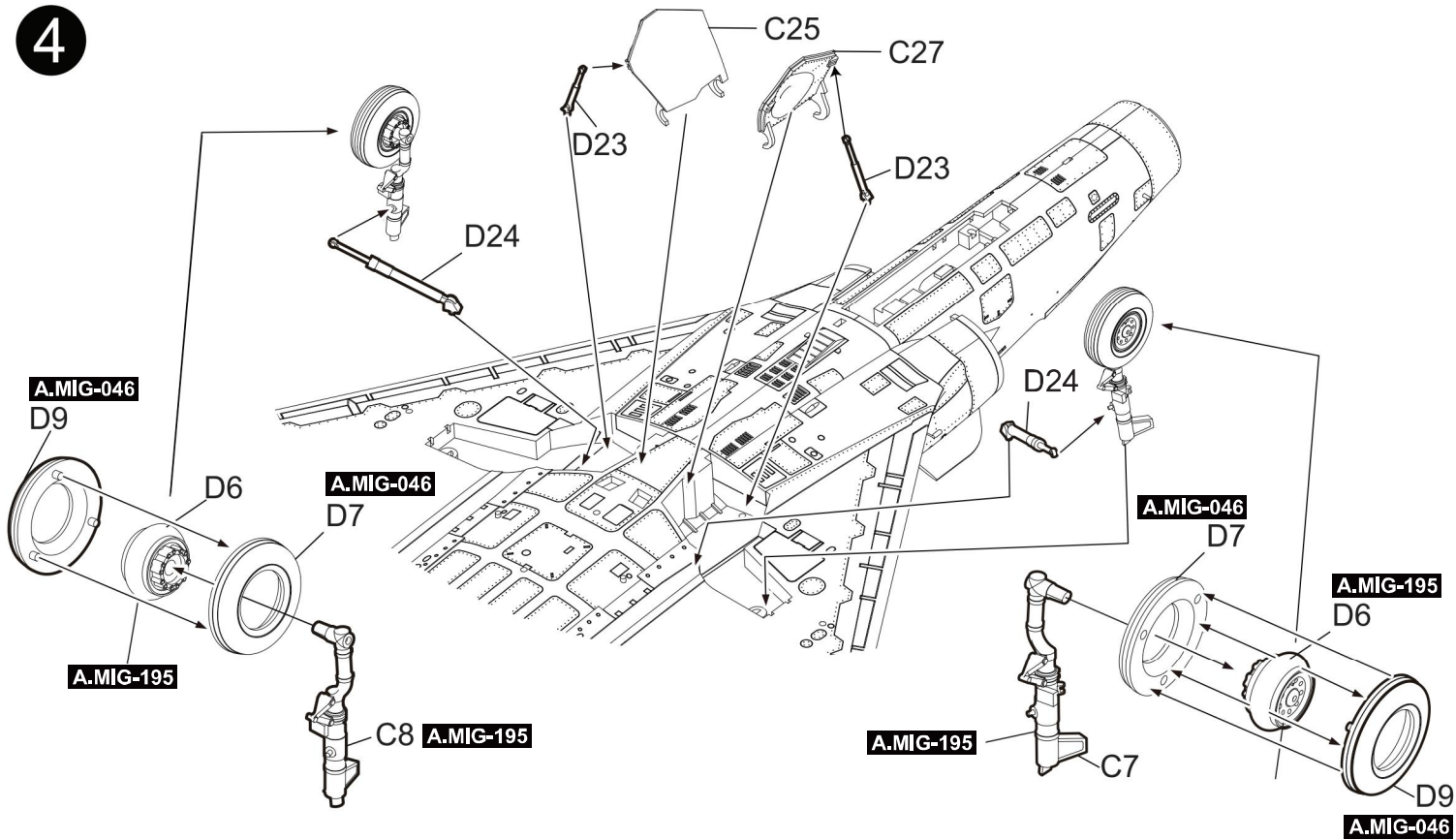


COLOR	AMMO MIG	VALLEJO MODEL COLOR	GSI CREOS MR. COLOR	TAMIYA ENAMEL/ACRYLIC	HUMBROL ENAMEL
SATIN BLACK	A.MG-032	70.861	2	X-18	21
MATT BLACK	A.MG-046	70.950	33	X-1	33
YELLOW	A.MG-048	71.002	4	XF-3	69
BURNT IRON	A.MG-187	71.073	54	XF-67	-
STEEL	A.MG-191	70.864	28	-	27003
SILVER	A.MG-195	71.063	8	X-11	-
FS36320	A.MG-208	71.120	307	-	128
DARK OILVE DRAB	A.MG-237	71.016	12	XF-62	-
MEDIUM SEA GREY	A.MG-246	71.307	355	XF-83	165

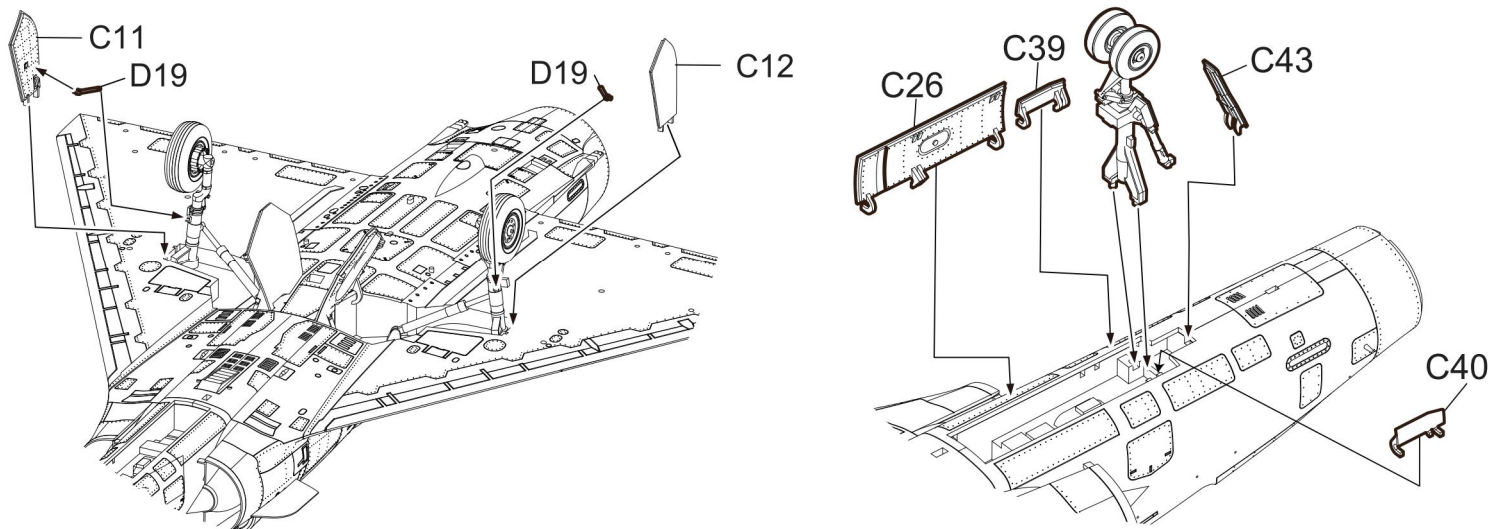
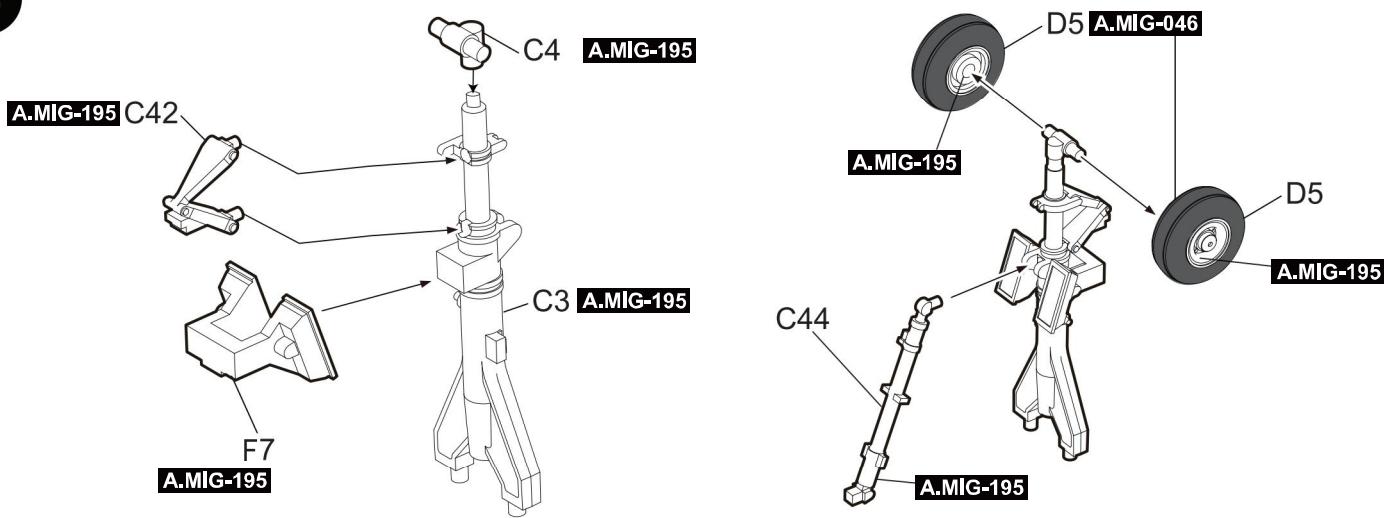
For Color Profile, please go to www.kineticmodel.com for download
 (type the kit# and go for manual/painting guide)



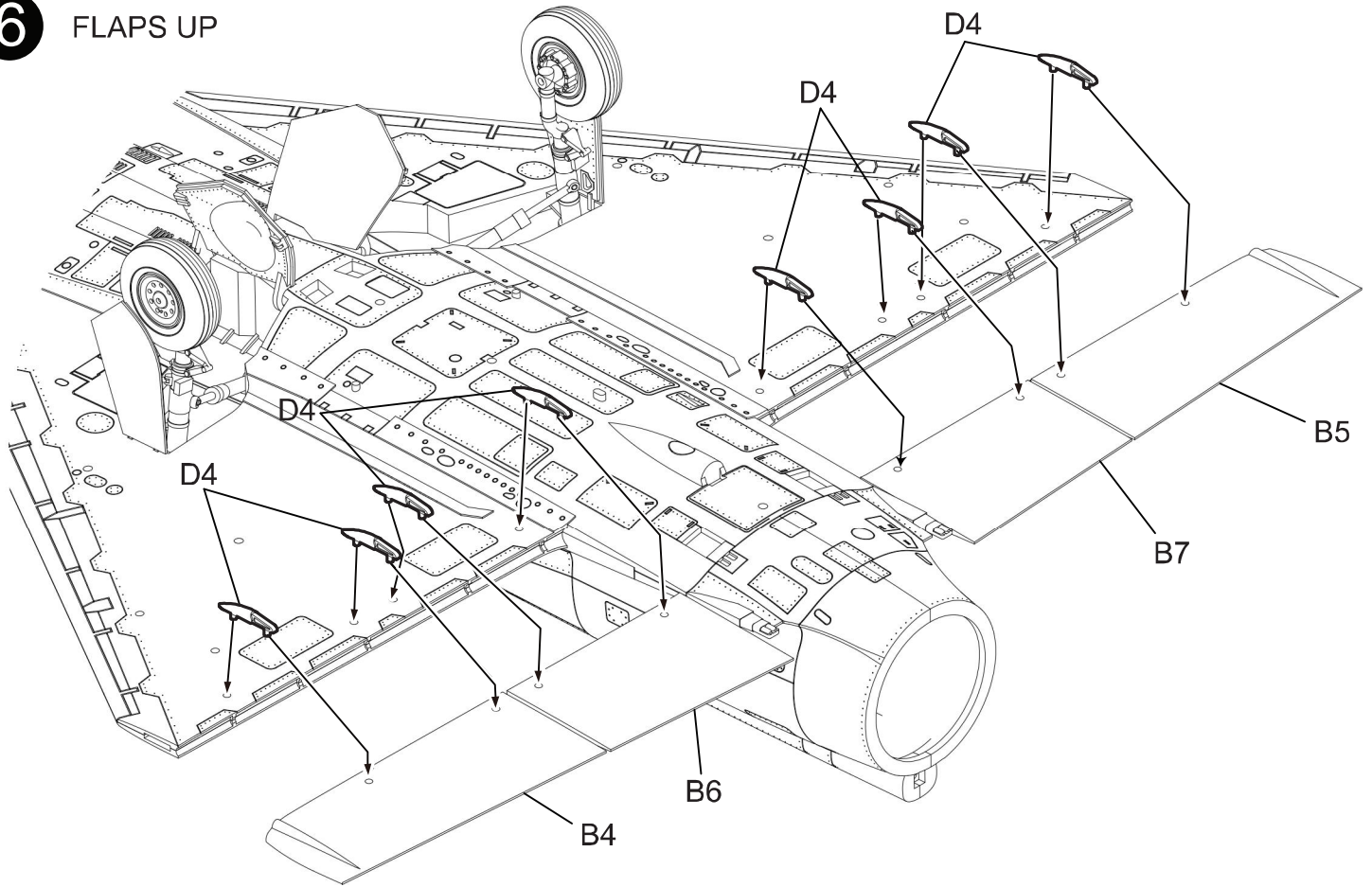
4



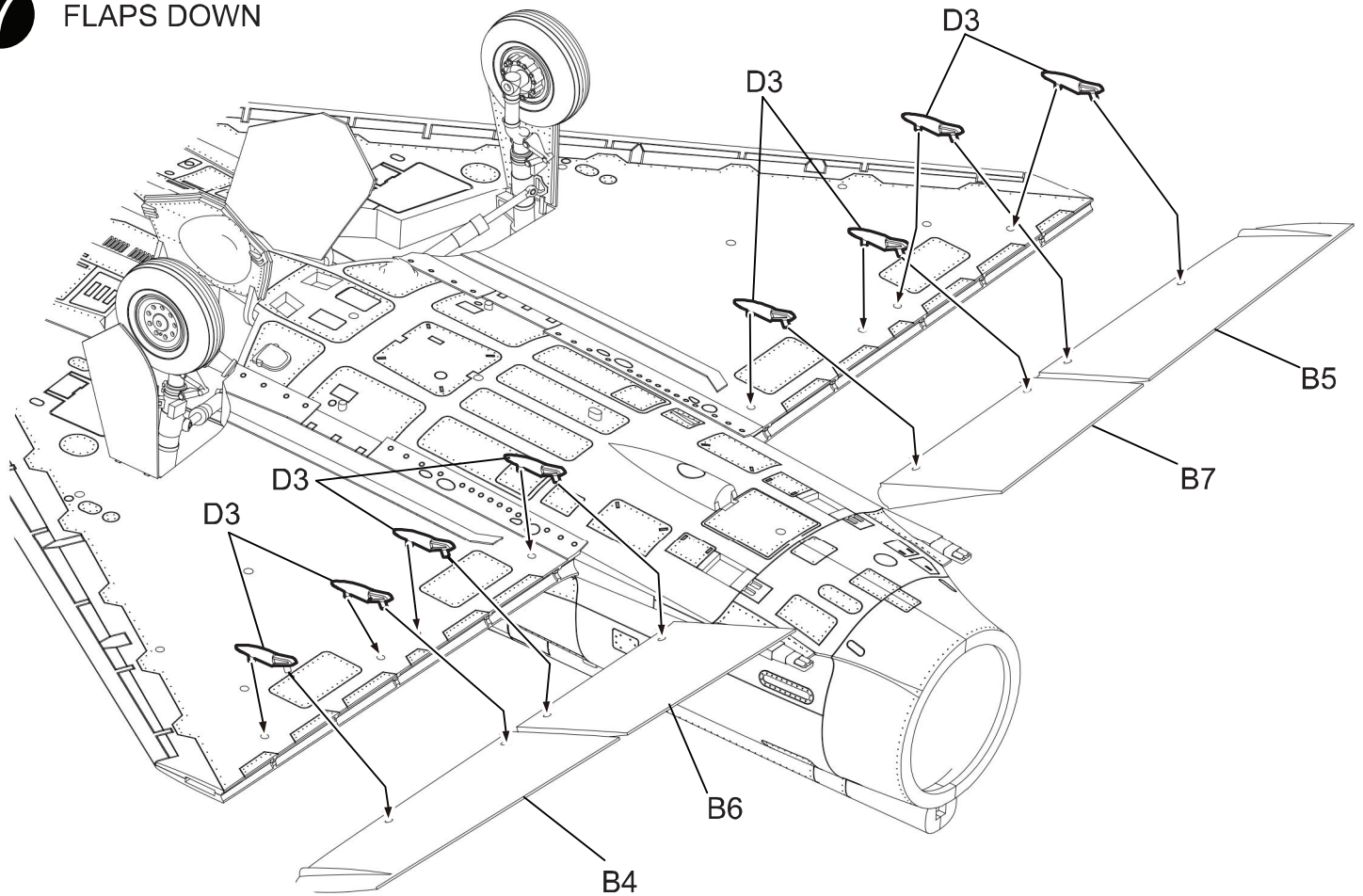
5



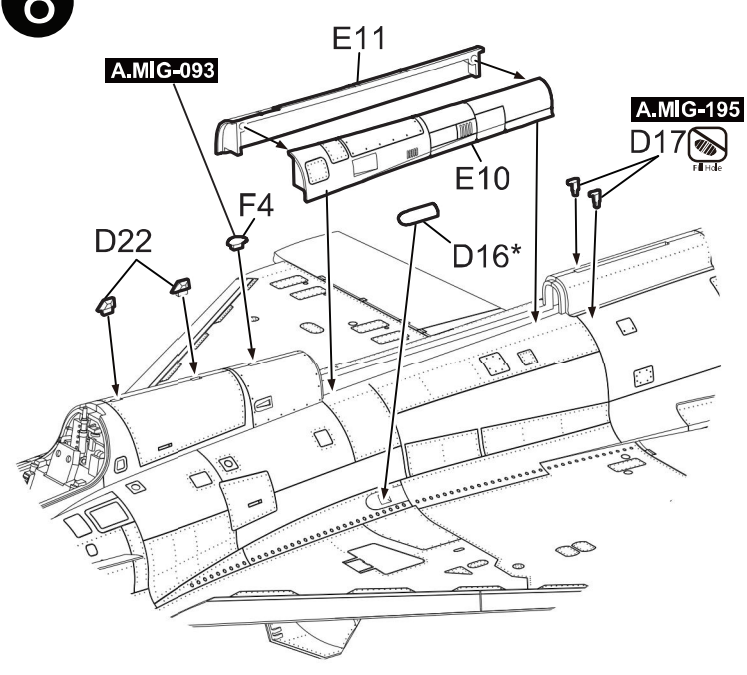
6 FLAPS UP



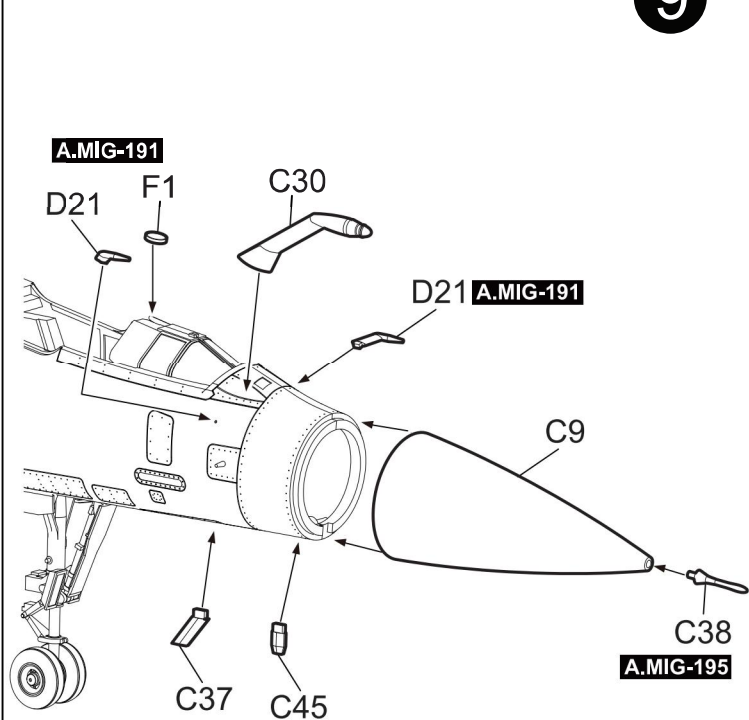
7 FLAPS DOWN



8

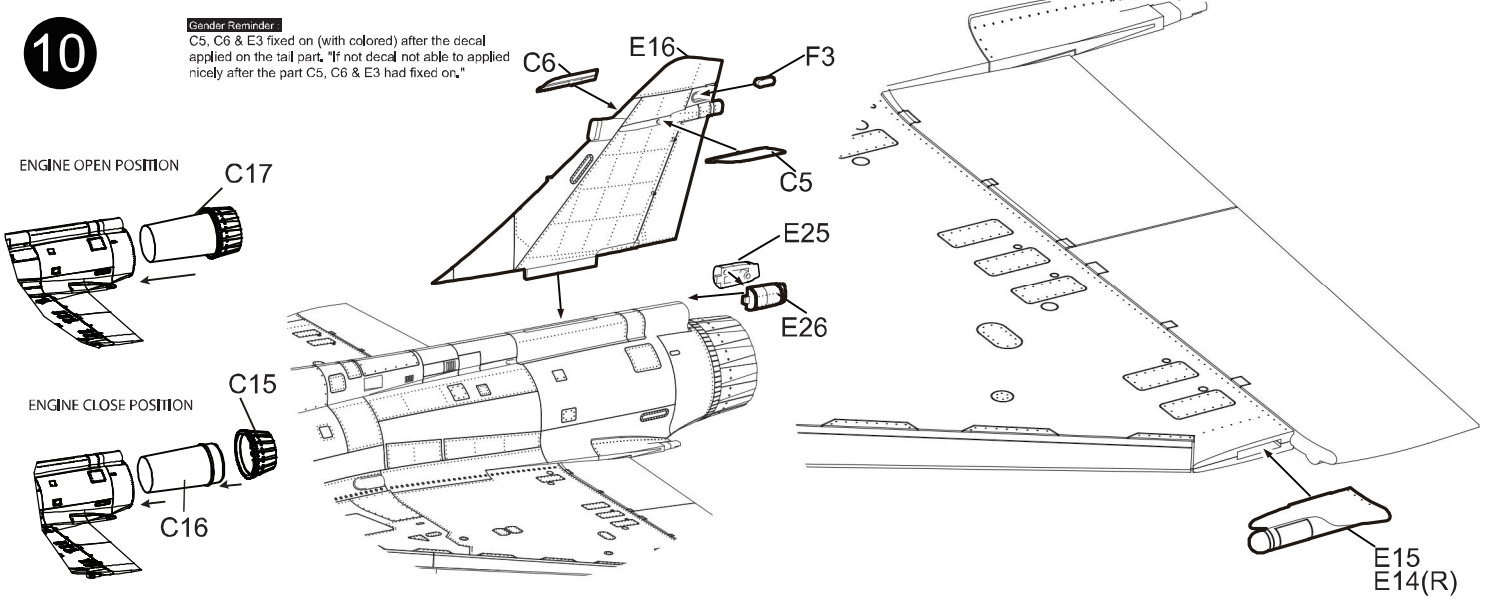


9



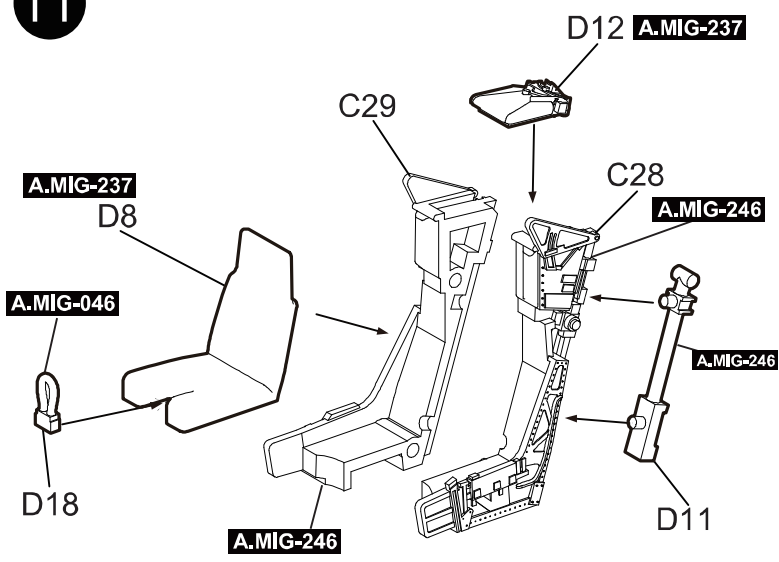
10

Gender Reminder:
 C5, C6 & E3 fixed on (with colored) after the decal applied on the tail part. "If not decal not able to applied nicely after the part C5, C6 & E3 had fixed on,"



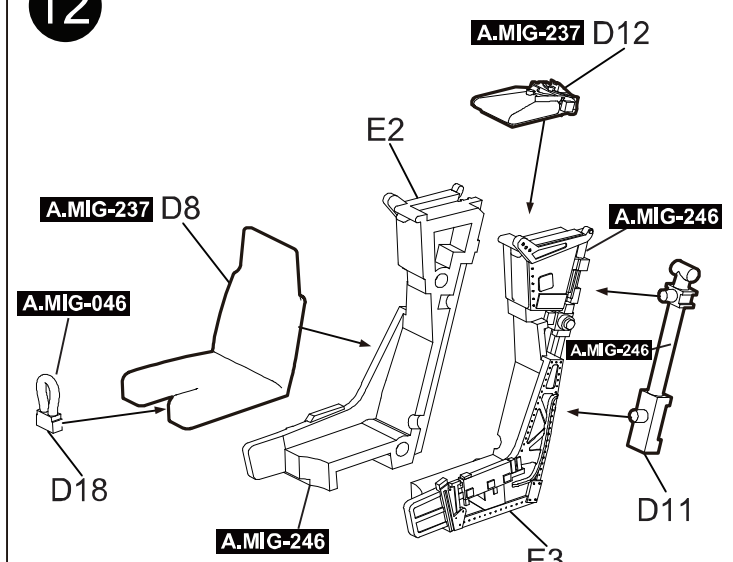
11

FRONT SEAT



12

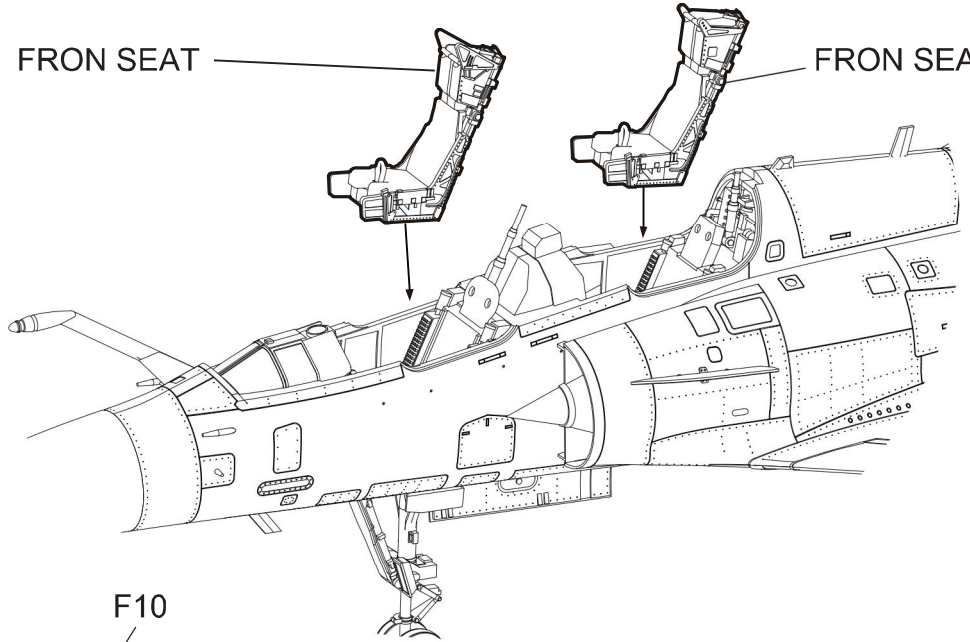
REAR SEAT



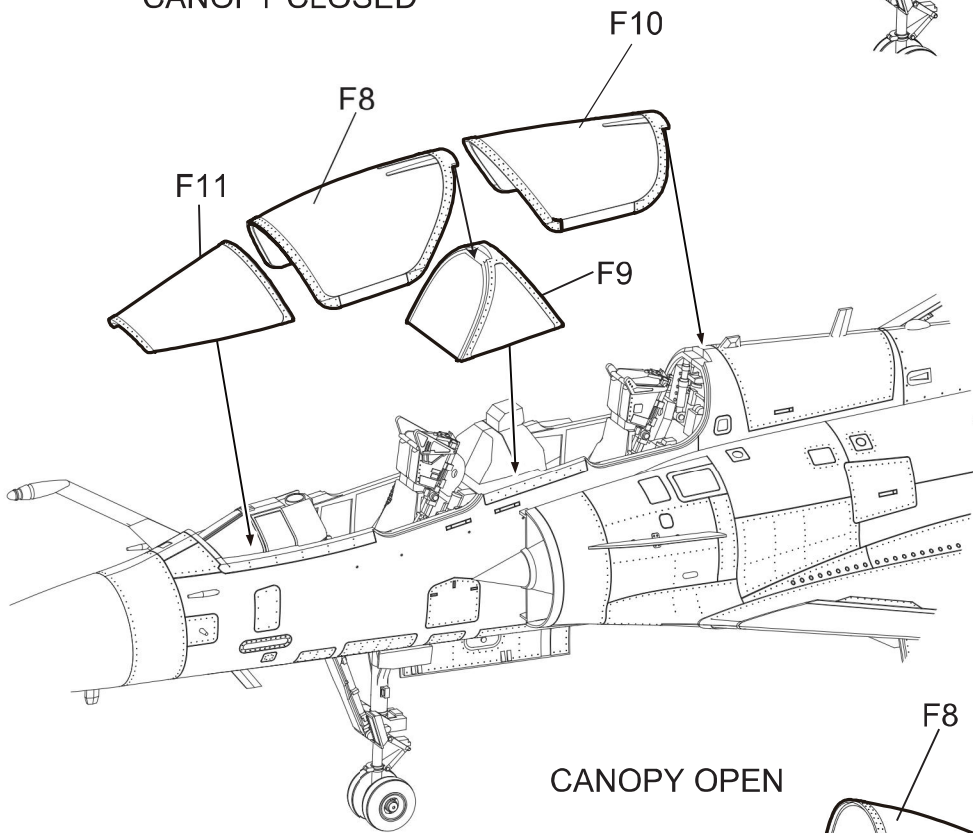
13

FRON SEAT

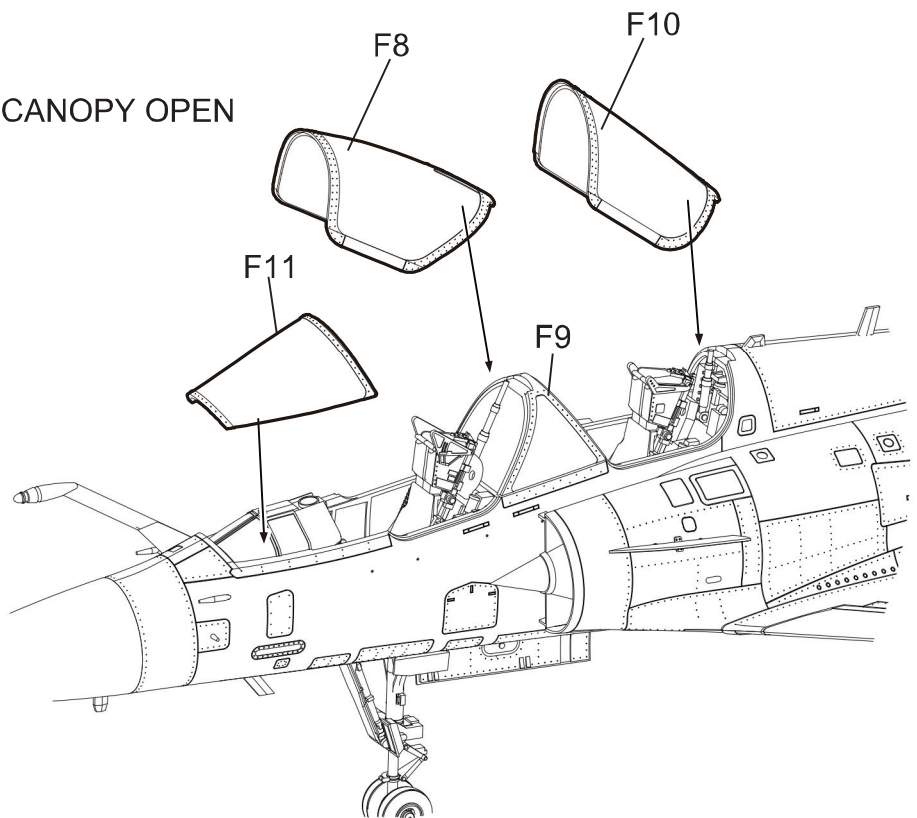
FRON SEAT



CANOPY CLOSED

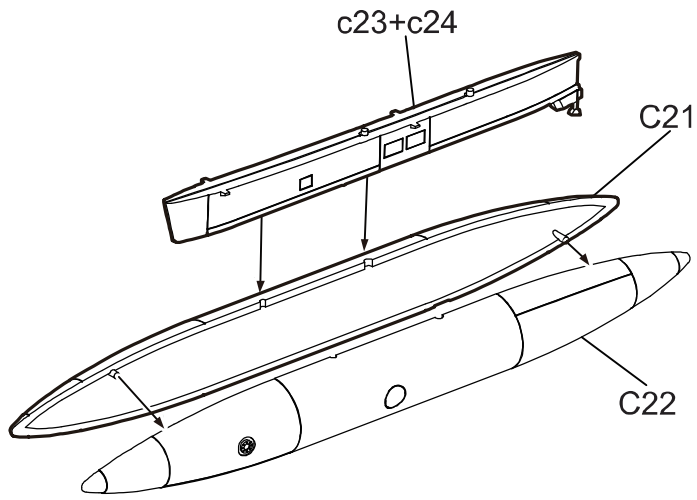


CANOPY OPEN

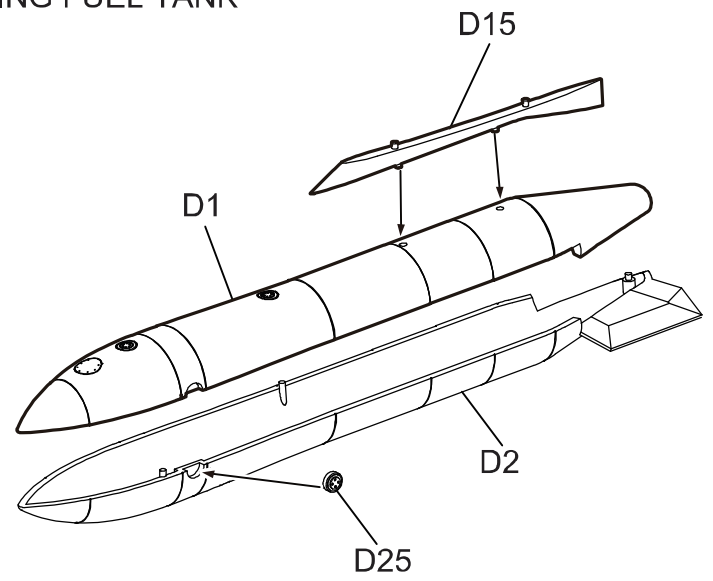


14

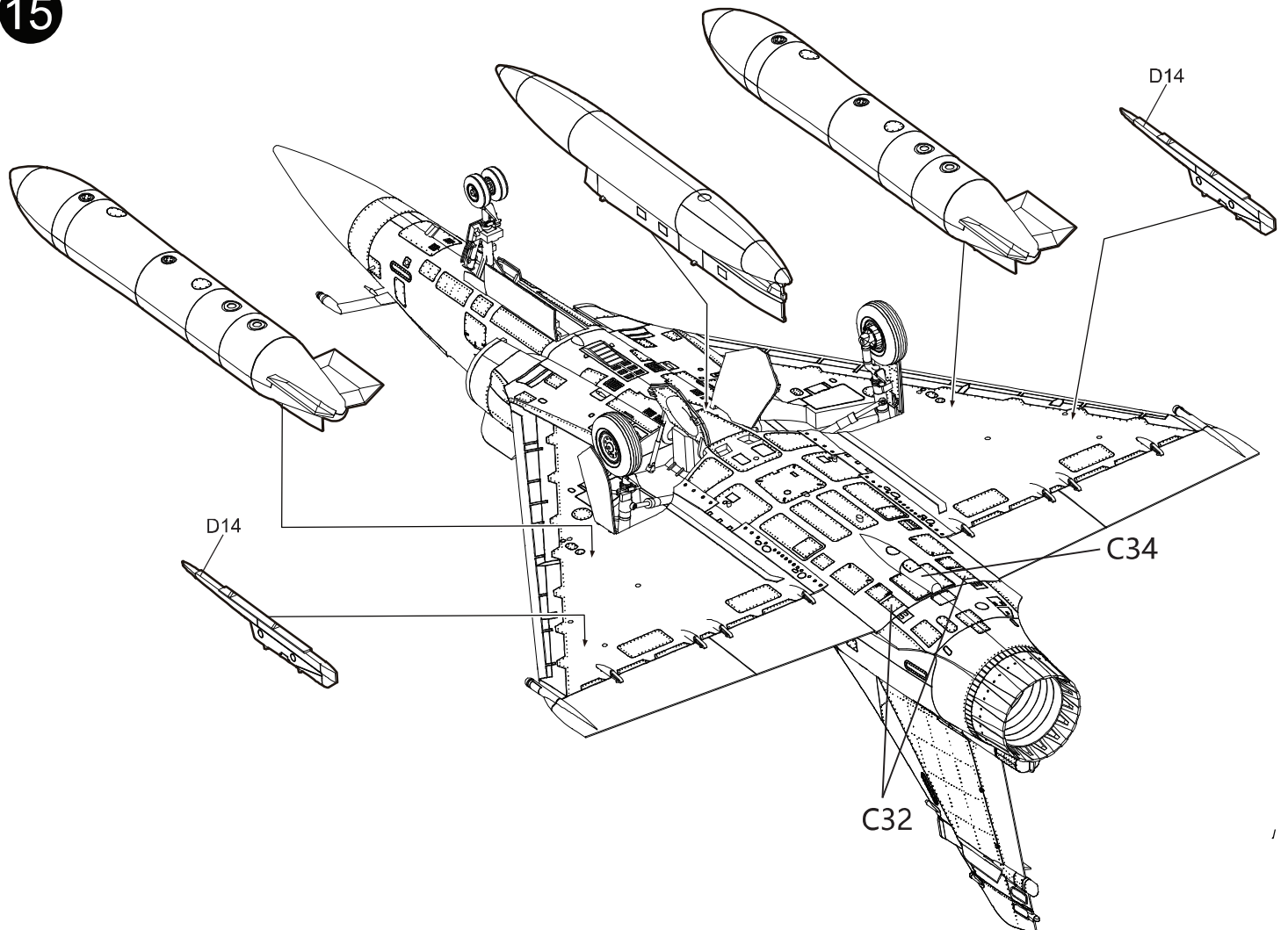
CENTERLINE FUEL TANK



WING FUEL TANK

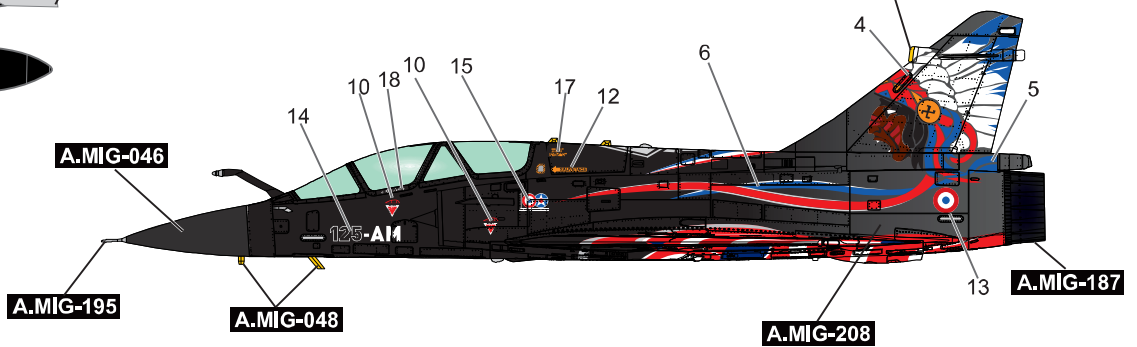
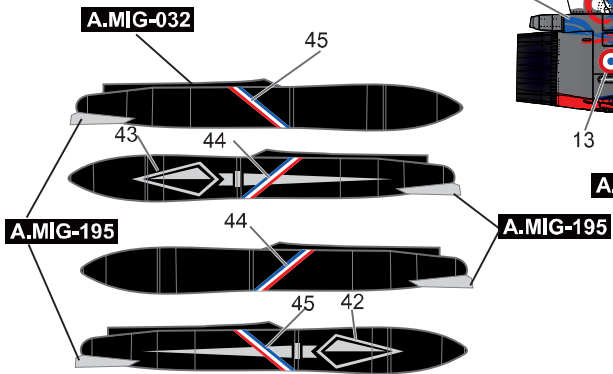
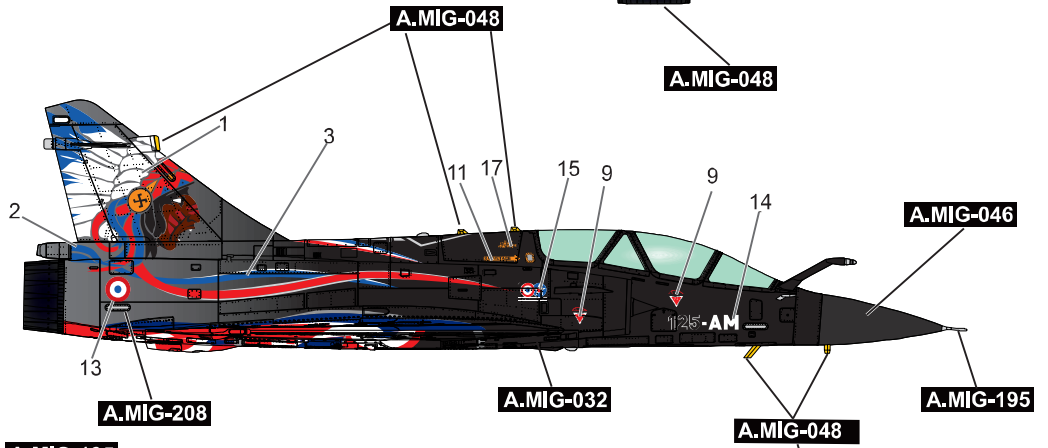
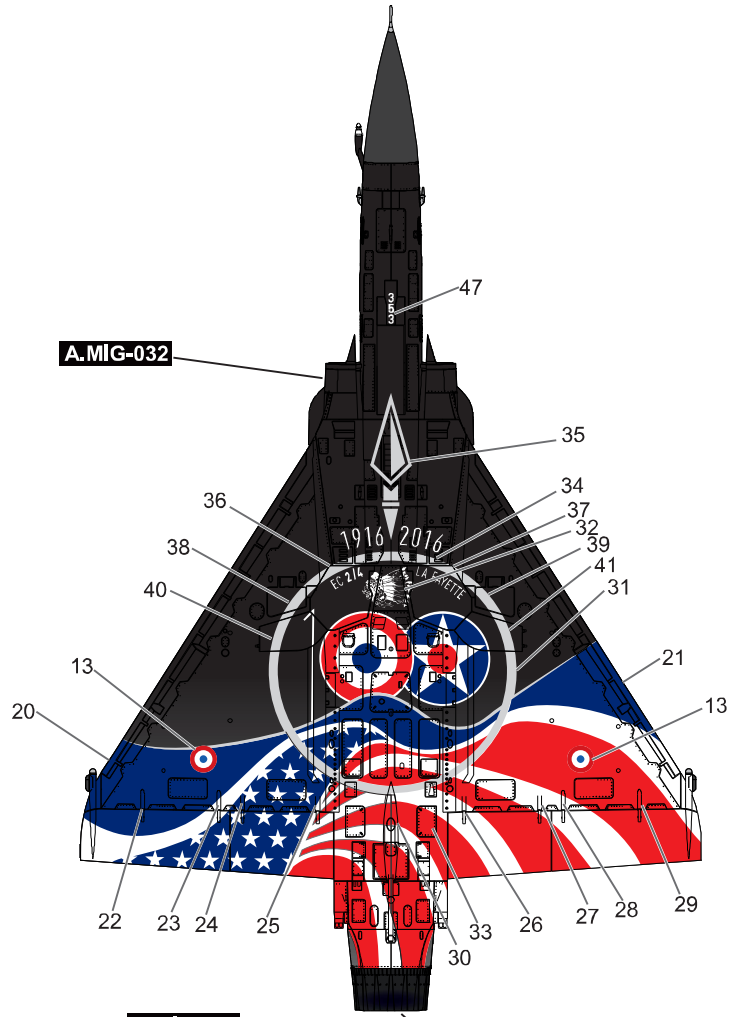
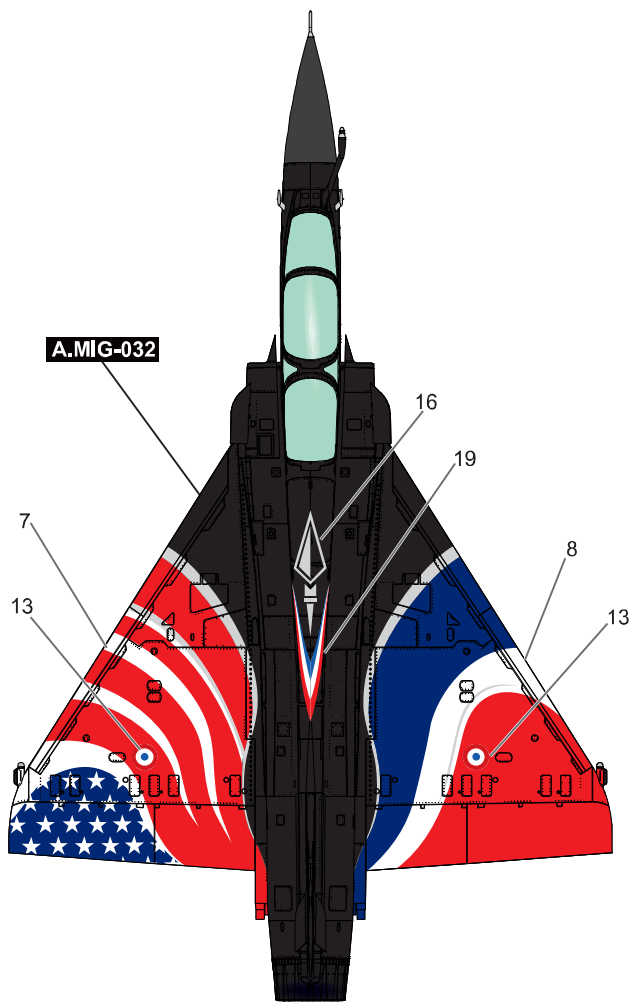







15



1/48 SCALE AIRCRAFT SERIES NO. K48124

Mirage 2000N La Fayette Escadrille 100th Anniversary



-  A.MIG-032
-  A.MIG-208
-  A.MIG-048
-  A.MIG-187
-  A.MIG-195