

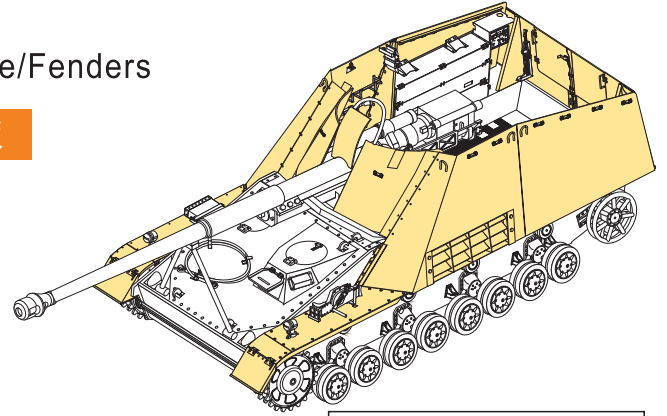
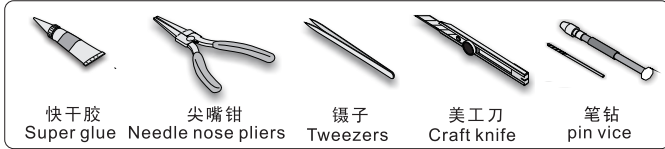
1/35 MILITARY MINIATURE VEHICLE UPGRADE SERIES PE35690











WWII German Sd.Kfz. 164 Nashorn Armour Plate/Fenders

二战德军“犀牛”自行反坦克炮装甲板翼子板

[For DRAGON 6387]

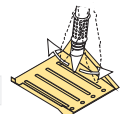
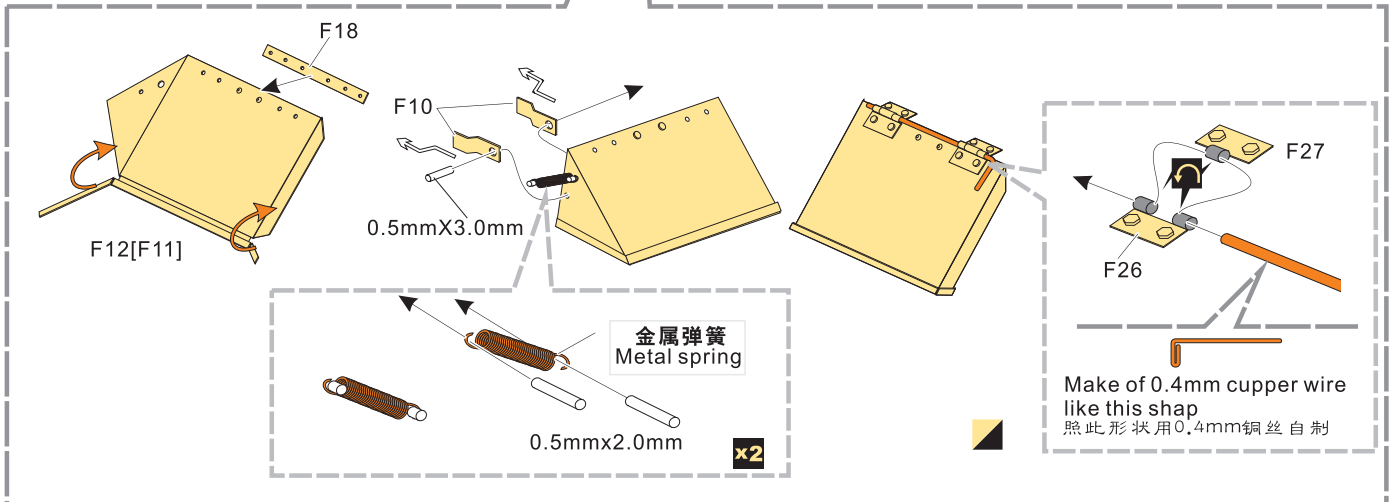
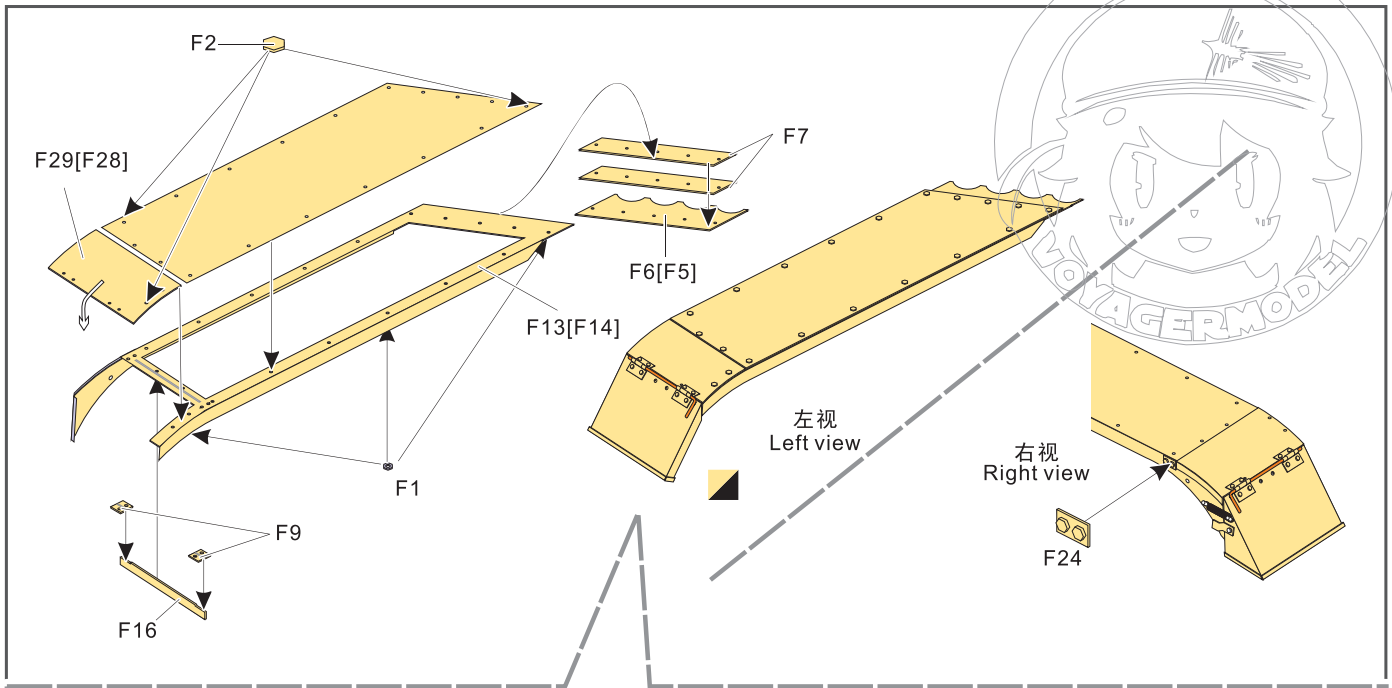
推荐使用工具 RECOMMENDED TOOLS



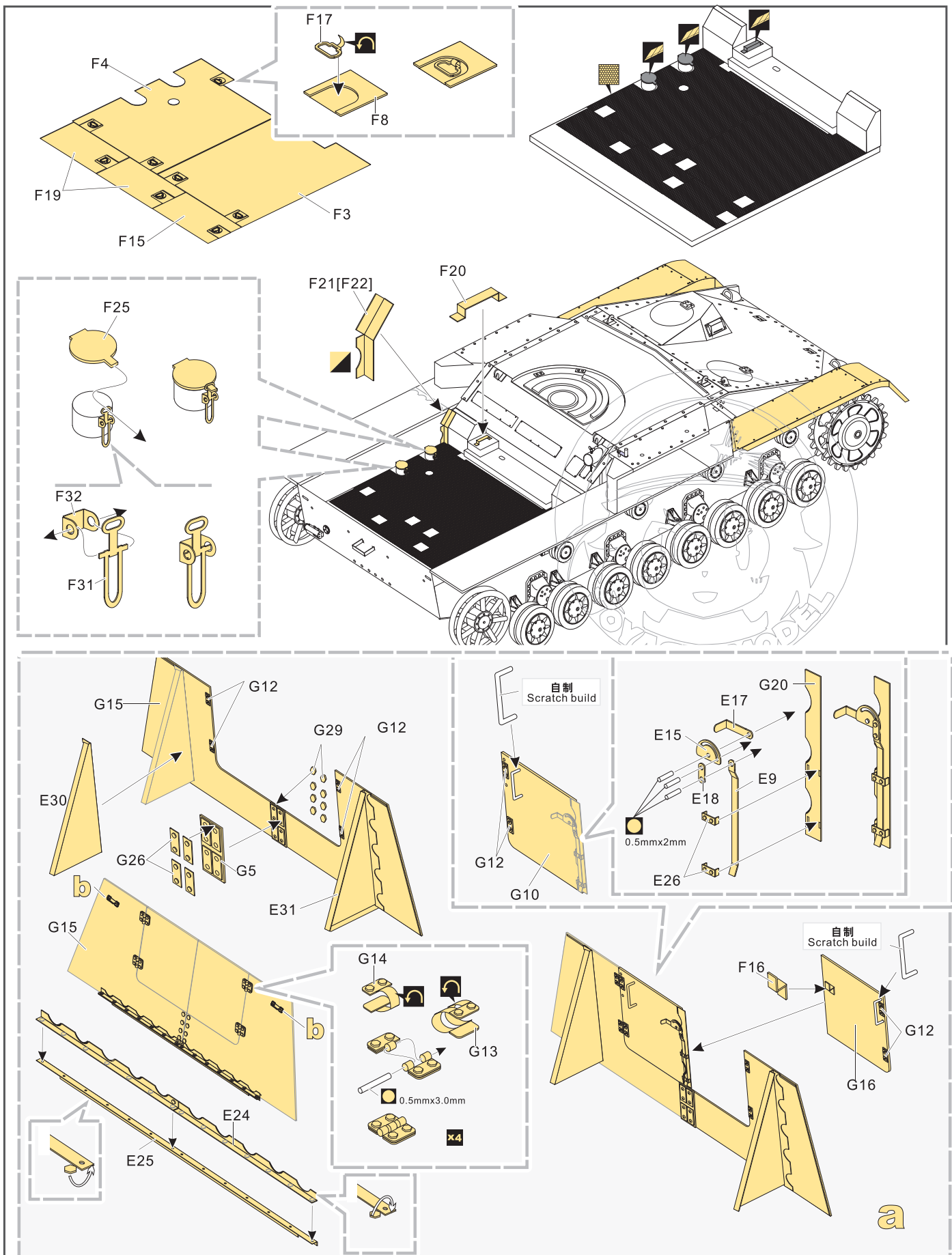
- 
安装
install
- 
折叠
bend
- A1**
改造件零件编号
PE/resin part number
- B12**
原零件编号
kit part number
- C22**
被替换的原零件编号
replaced kit part number
- 
 另一侧相同制作
repeat on opposite side
- 
切除
remove
- 
打磨
grind off
- 
弧度卷曲
radial bending
- 
制作若干组
multiple assembly
- 
选择安装
alternative
- 
钻孔
drill
- 
填补
fill


 用尖端在凹槽处冲压
use penpoint to press on the dent

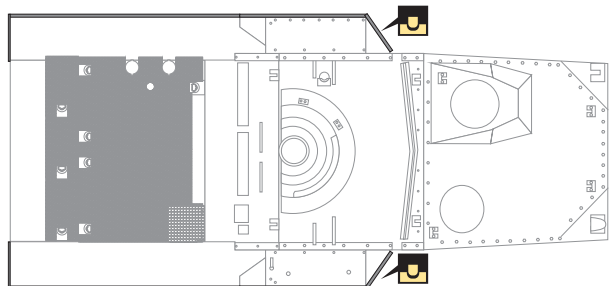
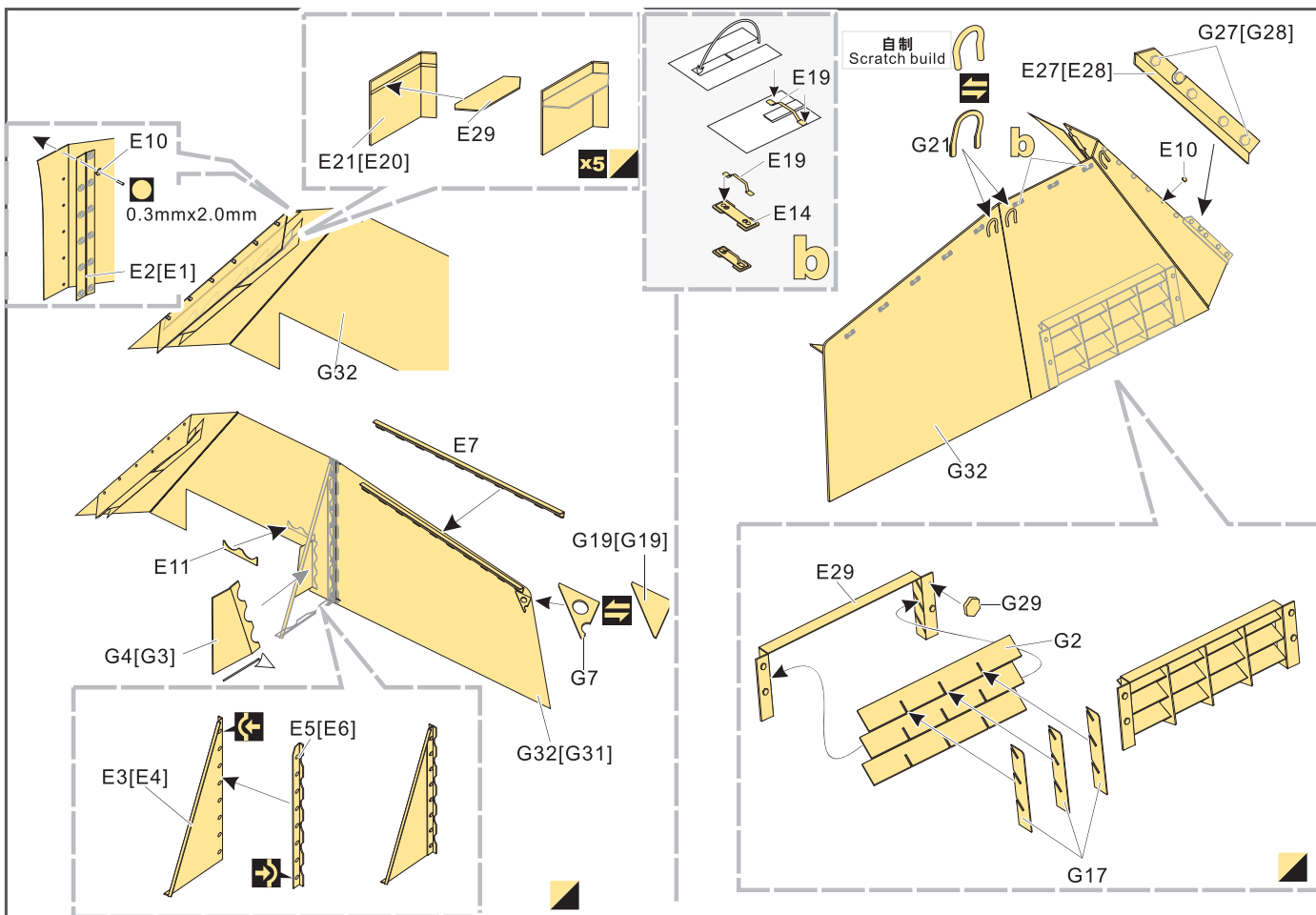
蚀刻片零件内槽面向上
Put the part upside down
 用笔尖在凹槽处刺
Use penpoint to press on the dent

1/35 MILITARY MINIATURE VEHICLE UPGRADE SERIES PE35690



1/35 MILITARY MINIATURE VEHICLE UPGRADE SERIES PE35690



! 使用约1mmx1mm胶板加宽出阴影部分
Use 1mmx1mm thin plastic sheet to block up the shaded area

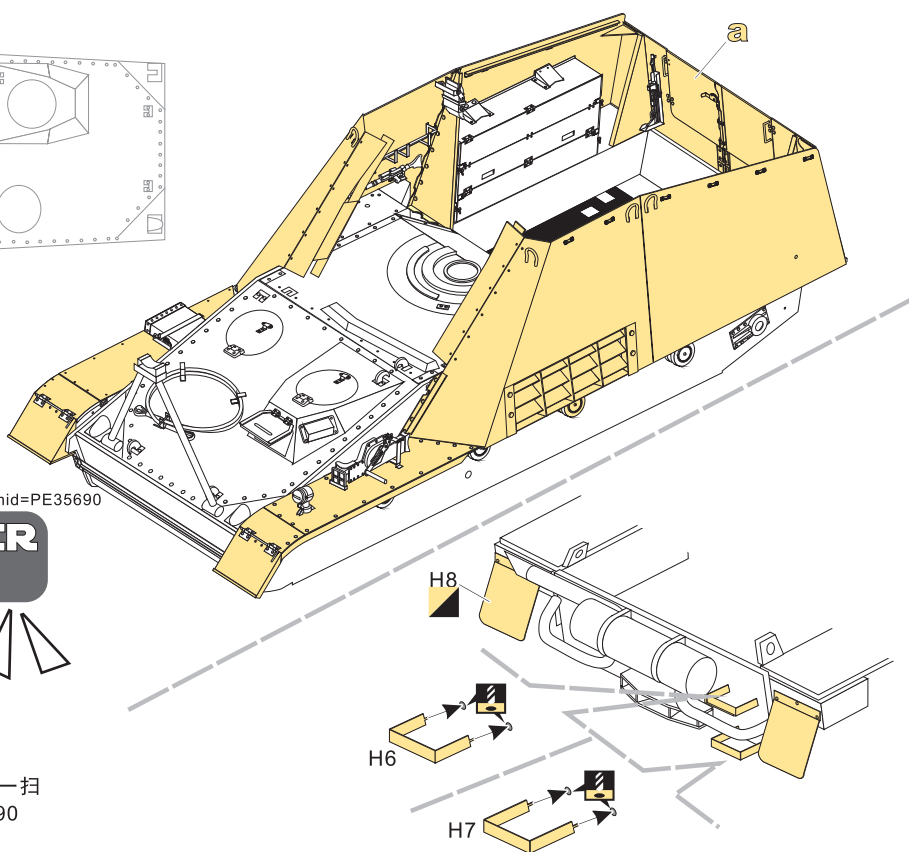
[Http://www.voyagermodel.com/productdetails.asp?itemid=PE35690](http://www.voyagermodel.com/productdetails.asp?itemid=PE35690)



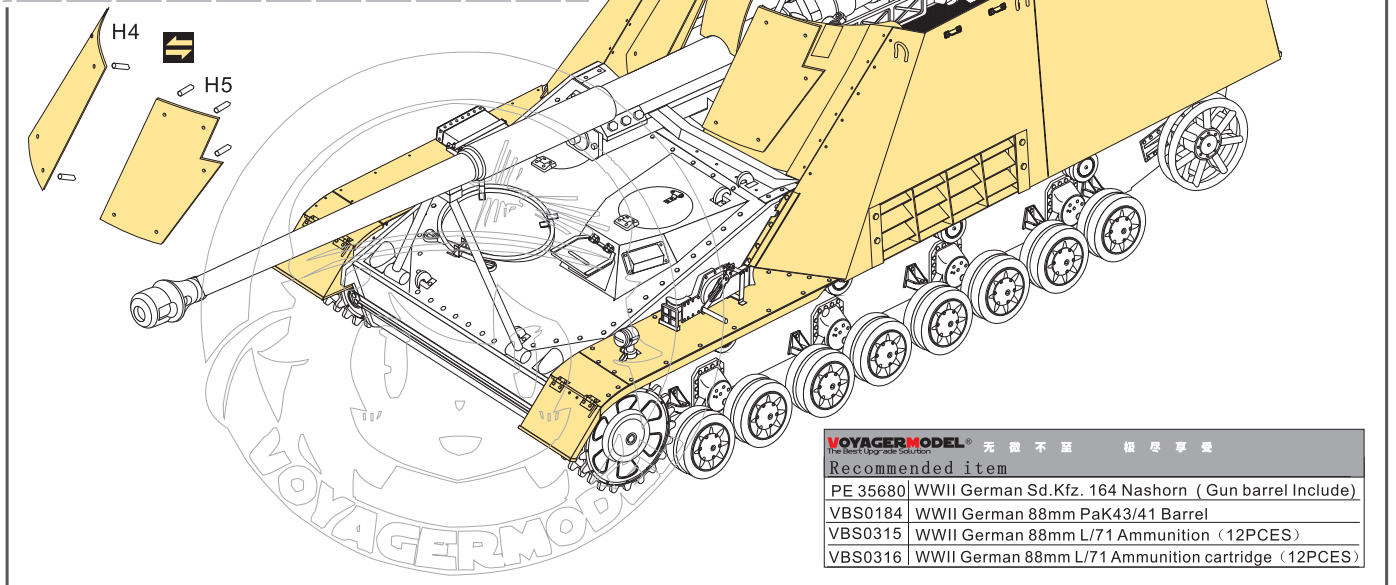
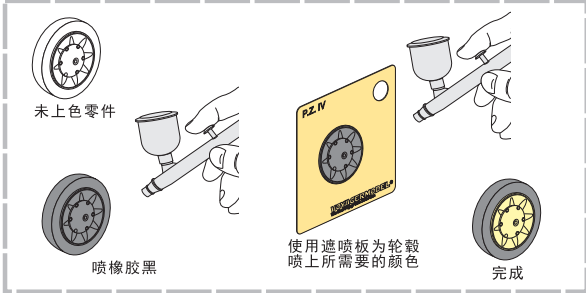
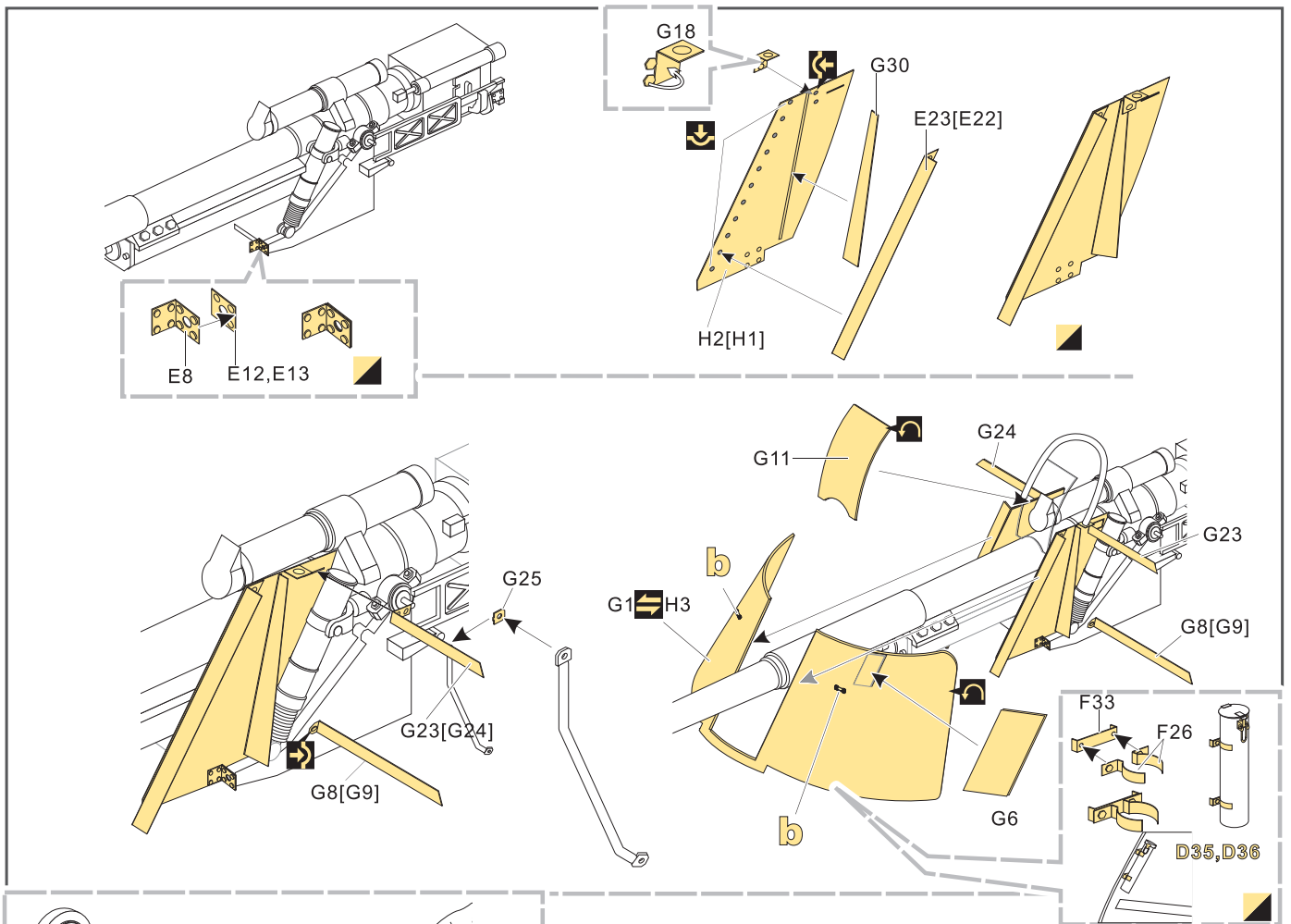
**VOYAGER
MODEL**



更多PE35690样品照片参考请扫一扫
MORE PICTUER OF PE 35690
REFERENCE SCAN HERE



1/35 MILITARY MINIATURE VEHICLE UPGRADE SERIES PE35690



VOYAGERMODEL® 无微不至 极致享受

Recommended item

PE 35680	WWII German Sd.Kfz. 164 Nashorn (Gun barrel Include)
VBS0184	WWII German 88mm PaK43/41 Barrel
VBS0315	WWII German 88mm L/71 Ammunition (12PCES)
VBS0316	WWII German 88mm L/71 Ammunition cartridge (12PCES)