

Soviet B-4 M1931 203mm Howitzer

苏联B-4 M1931 203mm榴弹炮

READ BEFORE ASSEMBLY:

- Study and understand these instructions thoroughly before beginning assembly
- When needed, remove photo-etch parts carefully using a modeling knife or photo etch sprue cutter, being careful not to damage or lose small parts.
- Take extra care in handling photo etch parts in order to avoid injury
- Apply instant cement sparingly to photo etch parts where instructed
- Tools recommended(not included in kit):Plastic and instant cements, sprue cutters,long nose pliers,modeling knife, small files, tweezers, pin vise & scissors. Soft cloth and sandpaper will also assist in construction
- Glue and paint are not included in the kit. Use plastic cement and hobby paints only. Color guide for purchasing paint is included in the kit.

装配之前仔细阅读

- 小心用模型锉刀锉平所有零件表面的注射浇口。
- 小心用刀片切下蚀刻片零件，不要遗失小零件。
- 用强力快干胶水粘合蚀刻片零件和金属轴。过量快干胶水使用可能导致可动零件会粘住，小心涂胶。
- 取蚀刻片时应特别注意安全，防止利边划伤手指。
- 某些零件表面需贴上水贴纸，请选择在装配的同时进行。
- 推荐模型工具(自备)：胶水，水口剪刀，长咀钳，刀片，锉刀，镊子，钳，钻，剪刀，瞬间快干胶。
- 软布同砂纸同时也应该是必备工具。
- 请使用塑料胶水和油漆，模型内不含。



配重
Weight



使用强力胶
Cyanoacrylate glue



钻孔
Make hole



切除
Cut / Remove



贴纸
Decal



锉平
File / Sand



选择
Option



不涂胶水
No cement



弯曲
Bend

水贴纸的使用:

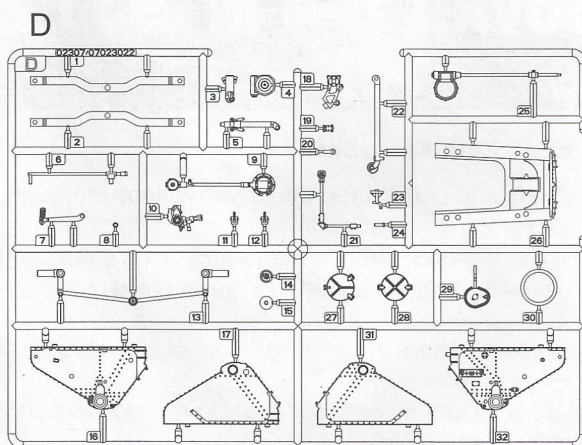
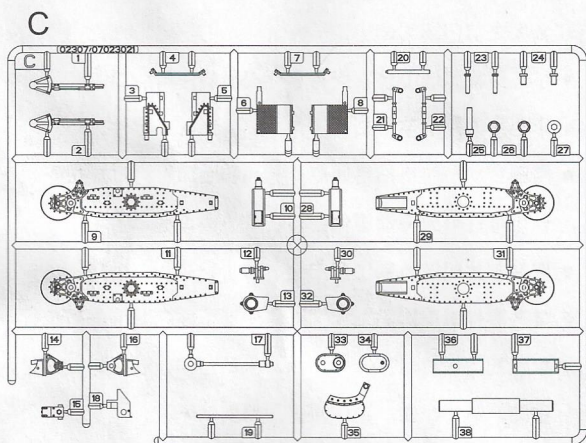
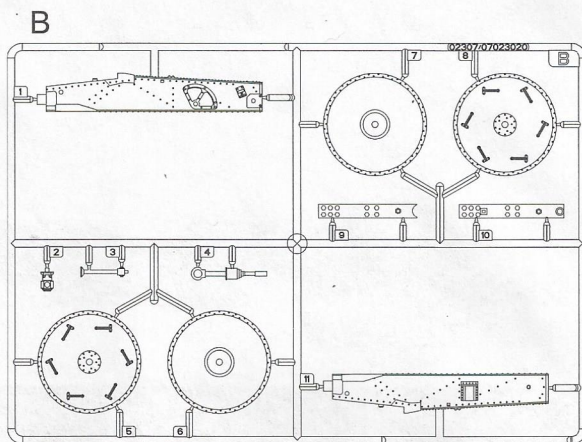
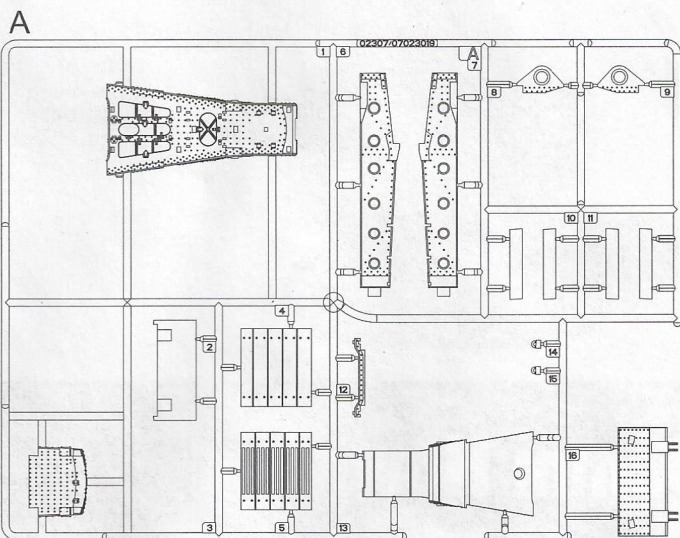
- 1.从水贴纸上剪下印花;
- 2.将印花放入温水中浸10秒, 然后放在干净布上。
- 3.拿着印花纸板将印花移到模型上;
- 4.手指蘸水将印花移到适当的位置;
- 5.用软布轻压印花直至水干, 气泡消失

DECAL APPLICATION

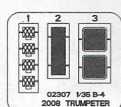
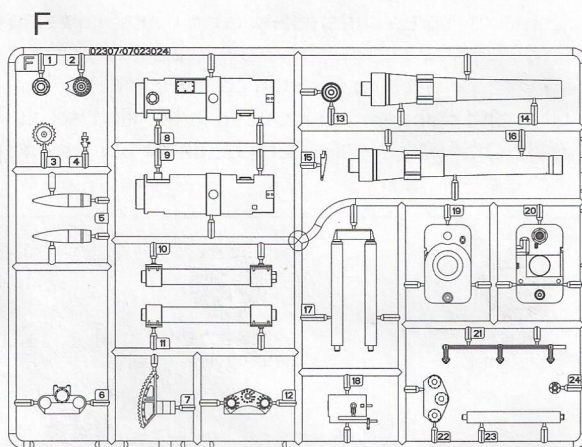
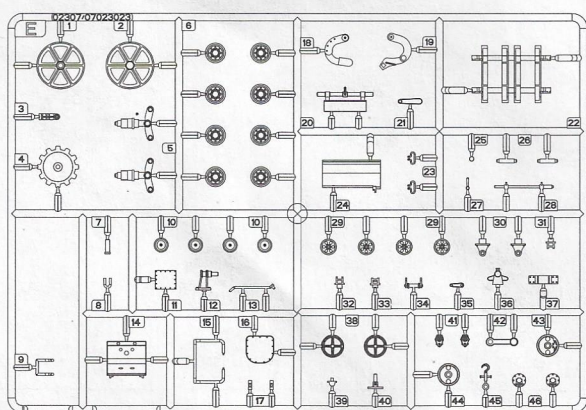
- 1.Cut decals from sheet as needed
- 2.Dip the decal in warm water for about 10 seconds and then place on soft clean cloth.
- 3.Hold the decal backing sheet edge and gently slide the decal onto the model in its proper position.

- 4.While still wet,decal can be adjusted for better fit on model by dampening it gently with your finger.
- 5.When placed in the proper position,gently press decal down with a soft cloth until excess water and air bubbles are gone.
- 6.Allow decal to dry completely before handling model

部品图 Parts



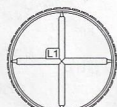
EX2



蚀刻片
PE



轮圈R
Rubber rim R



轮圈L
Rubber rim L

БОЯВАЯ ПОДЛУГА

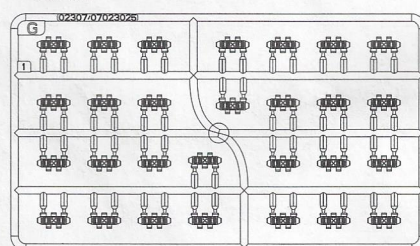
1
БОЯВАЯ ПОДЛУГА

02307 1:35 Soviet B-4
M1931 203mm Howitzer

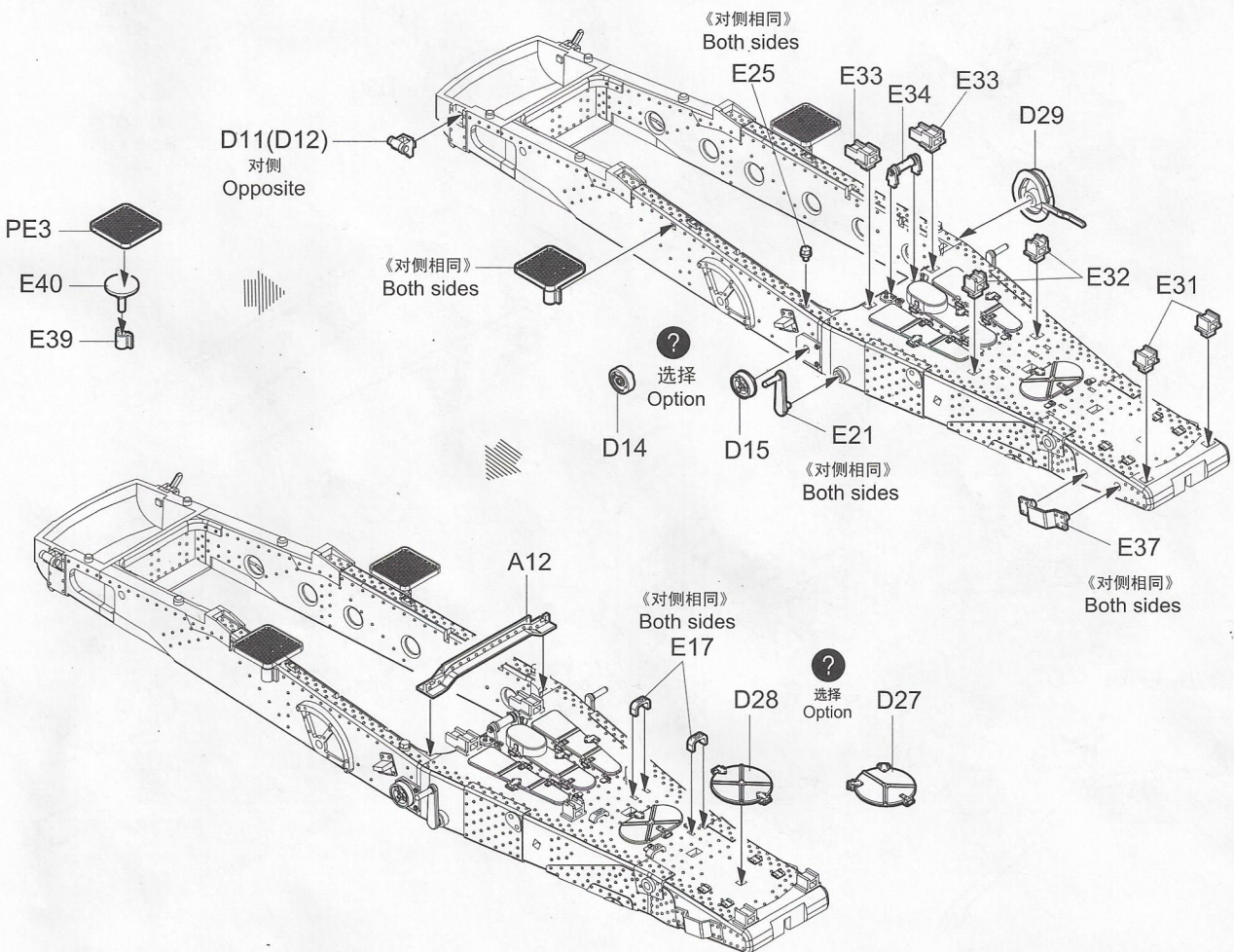
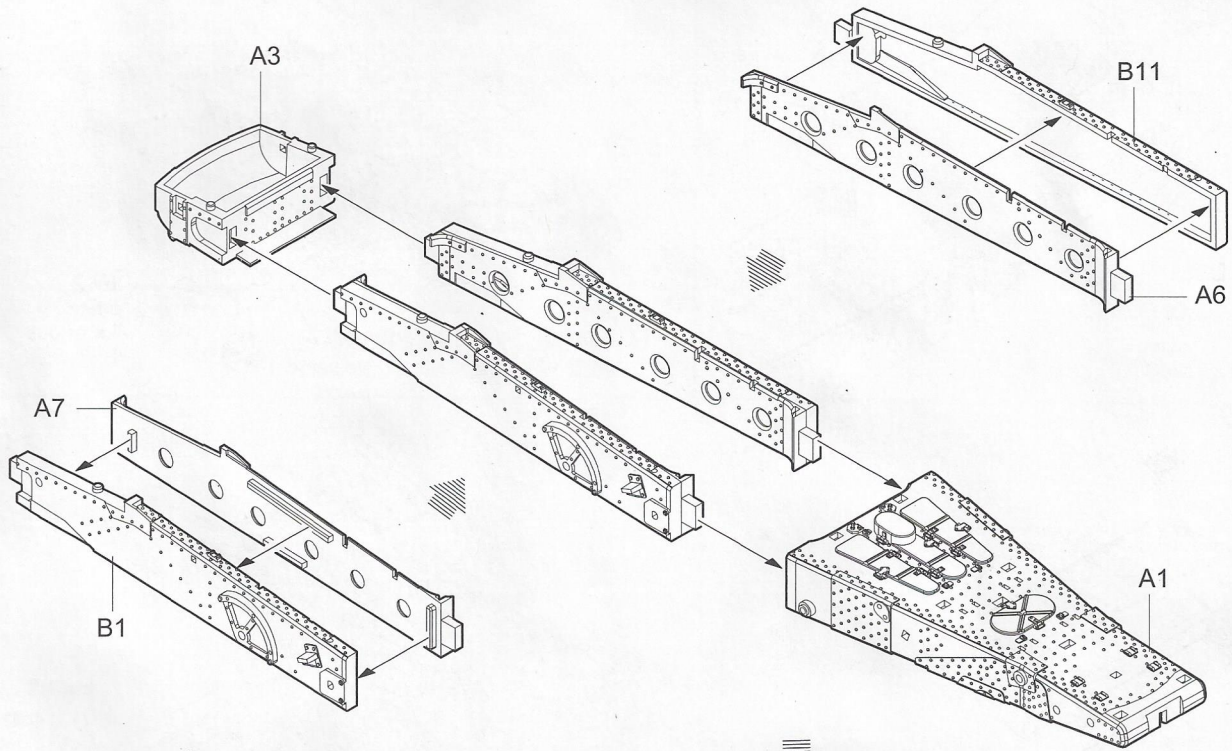
「水贴纸」
Decal

棉绳:∅0.6X500mm
String

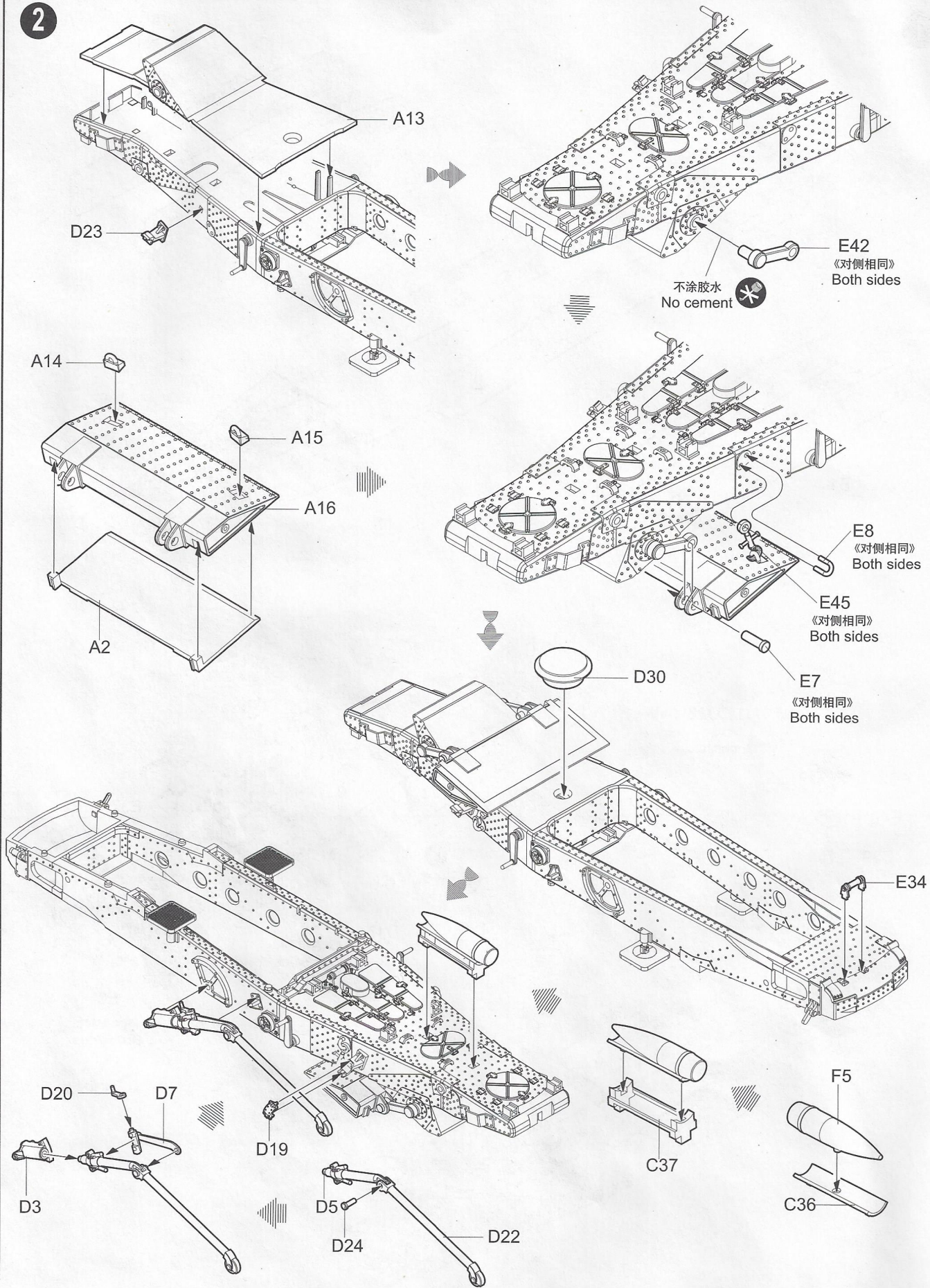
GX3



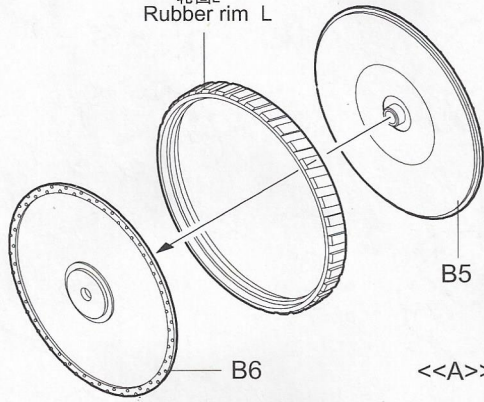
1



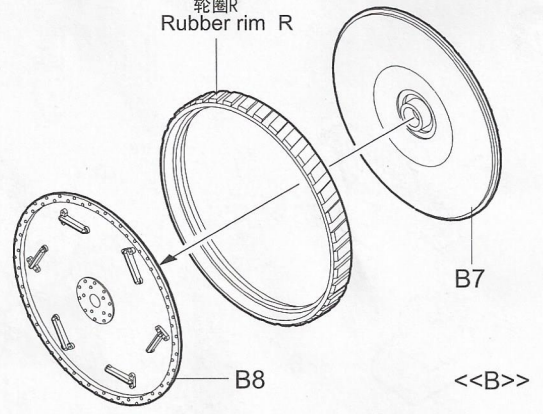
2



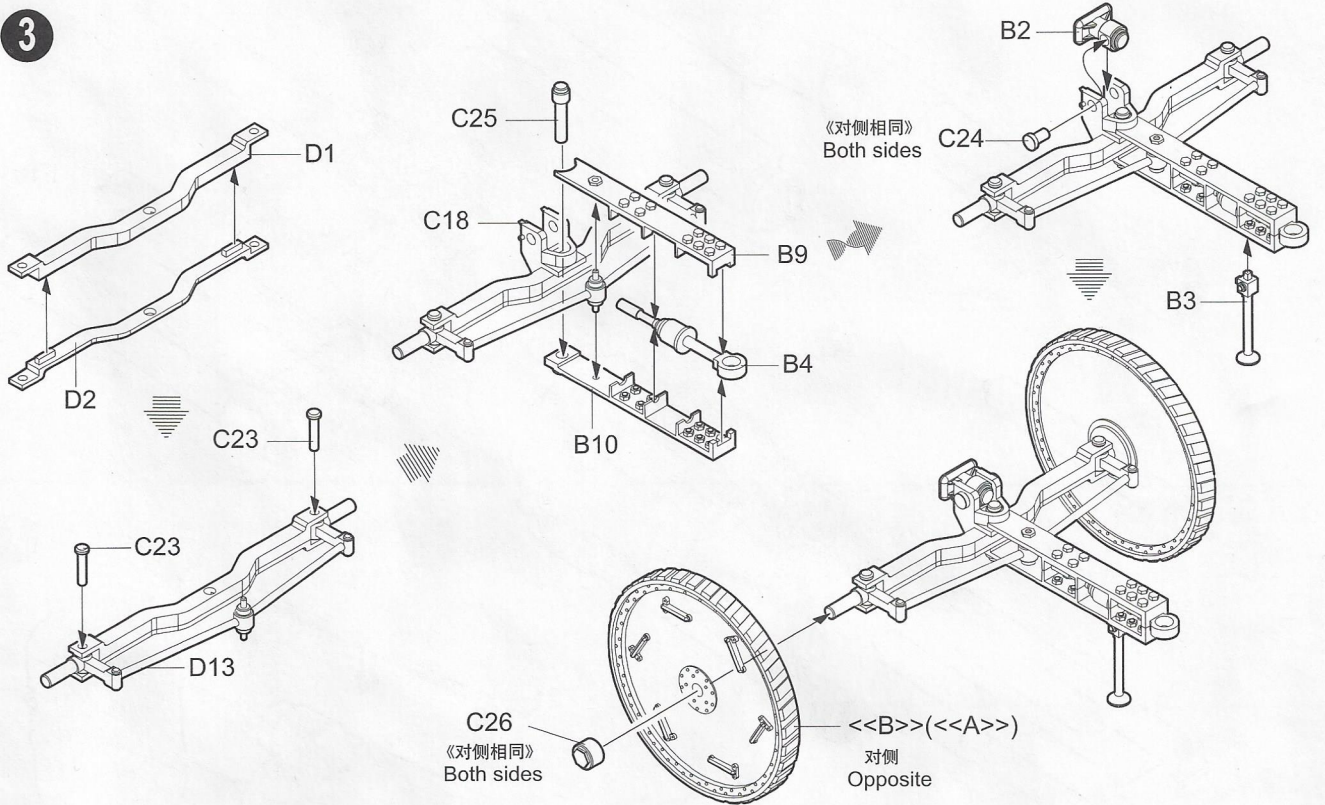
轮圈L
Rubber rim L



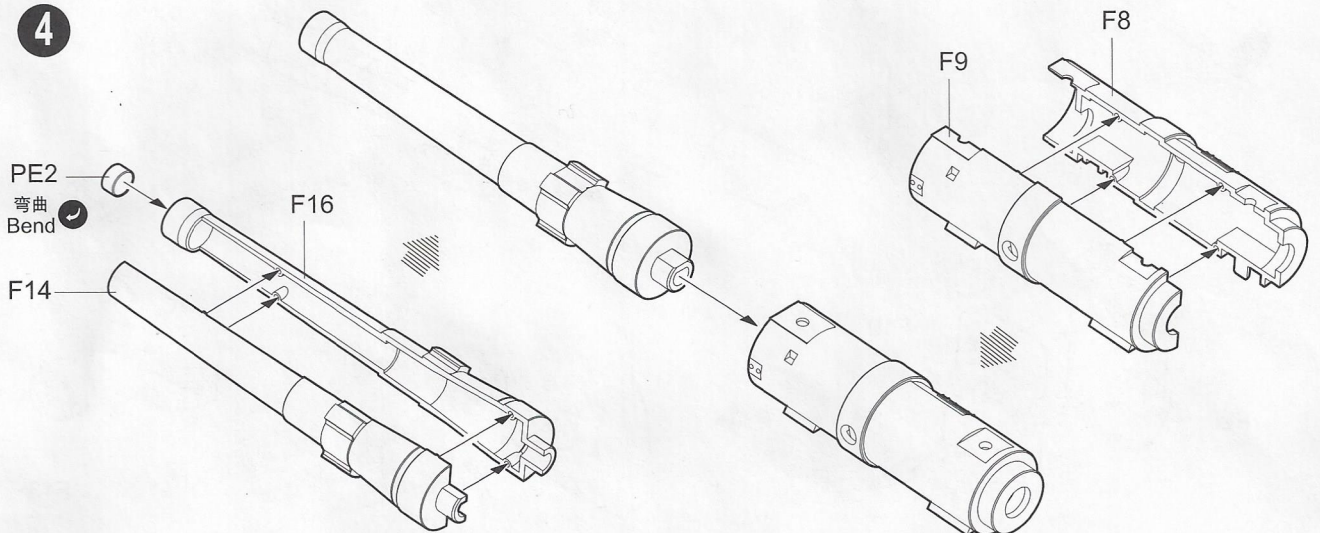
轮圈R
Rubber rim R



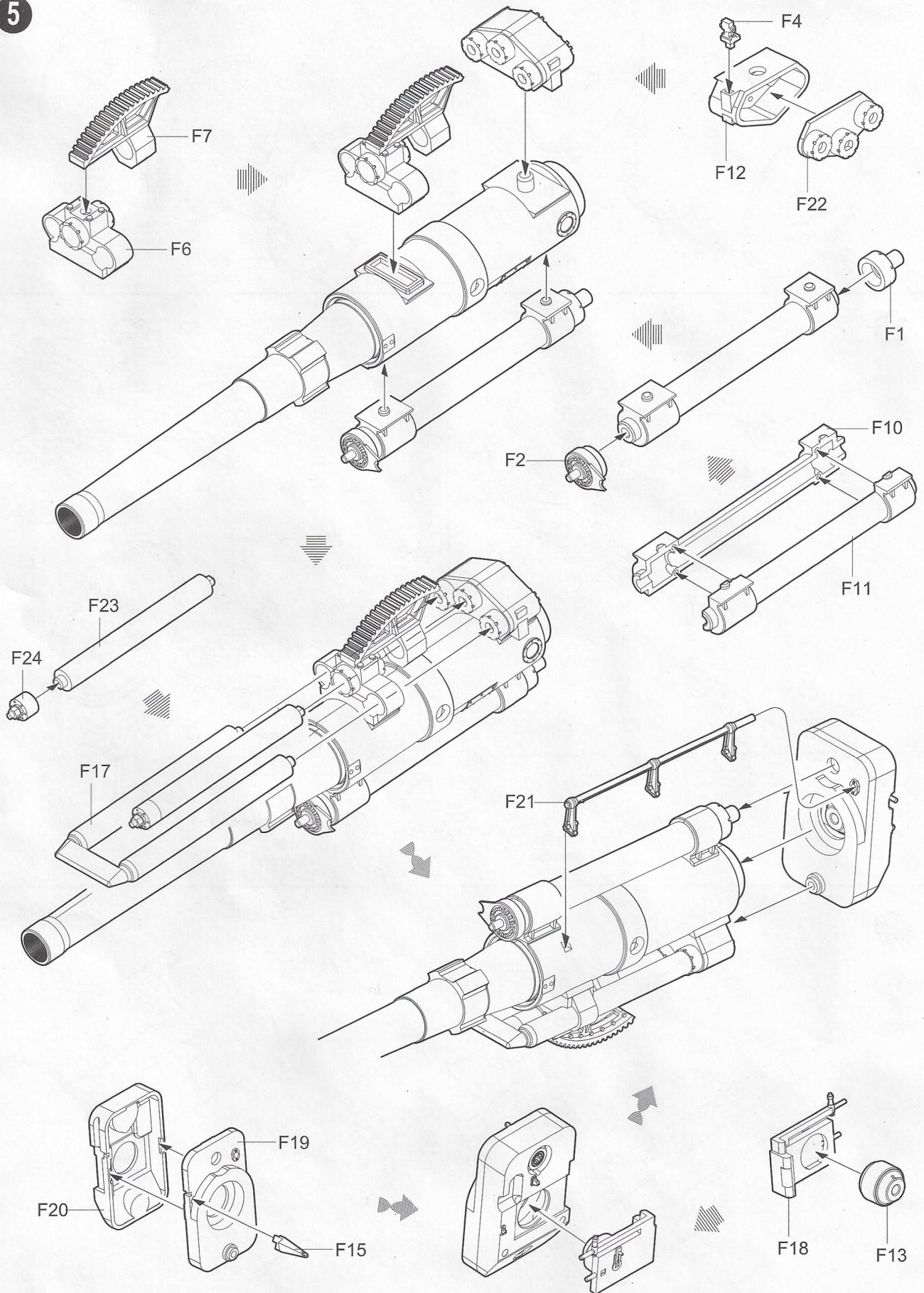
3



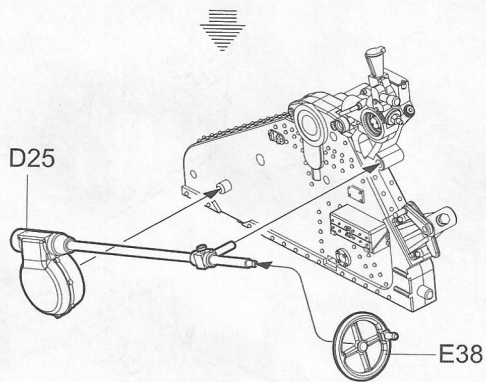
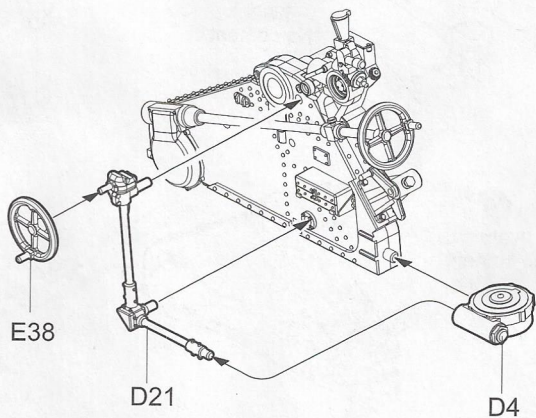
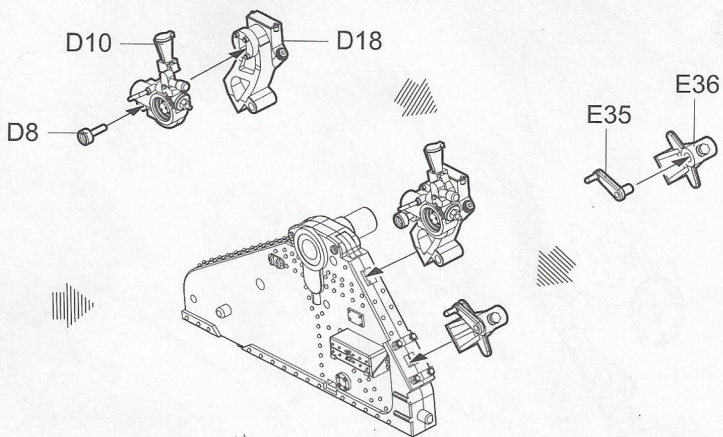
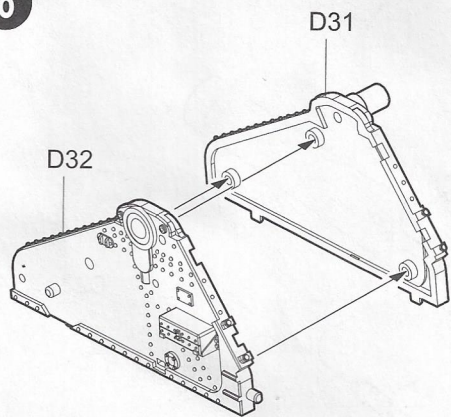
4



5

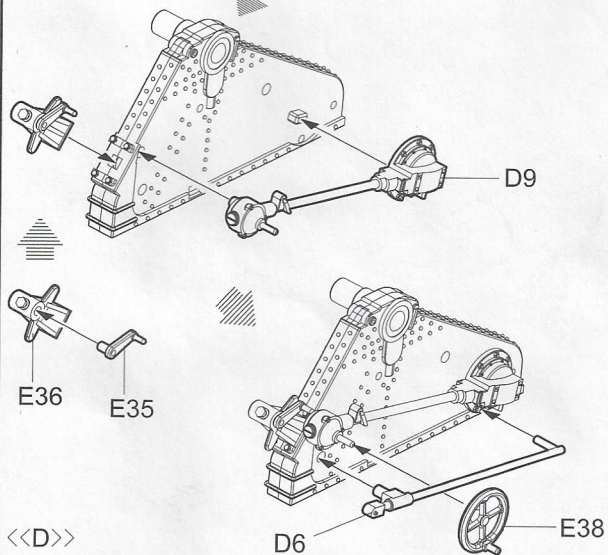
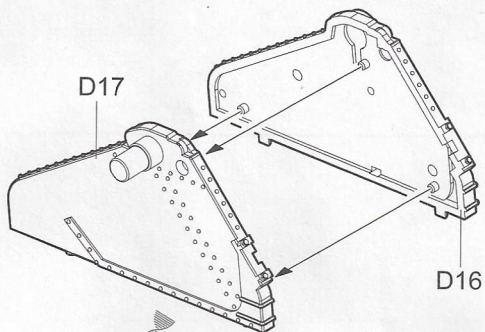


6

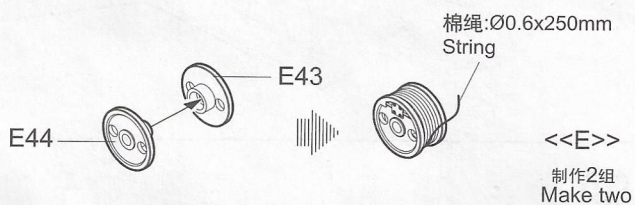


<<C>>

7

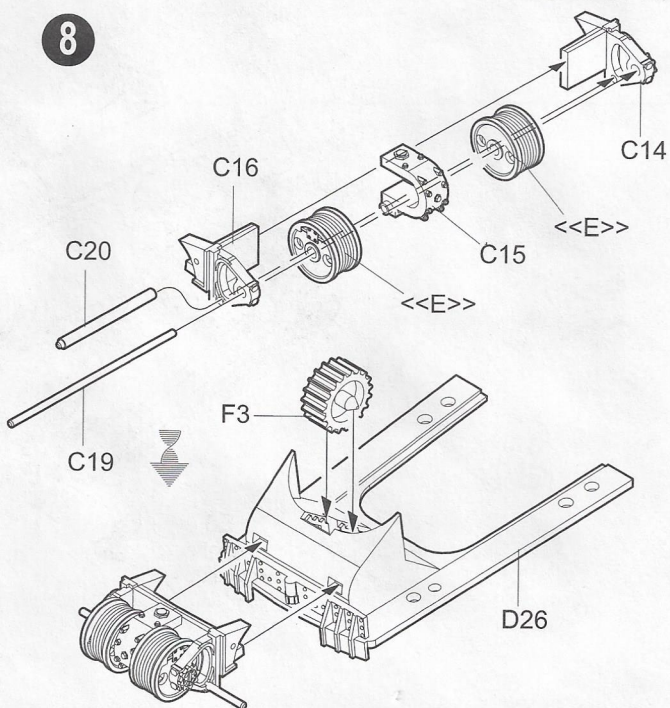


<<D>>

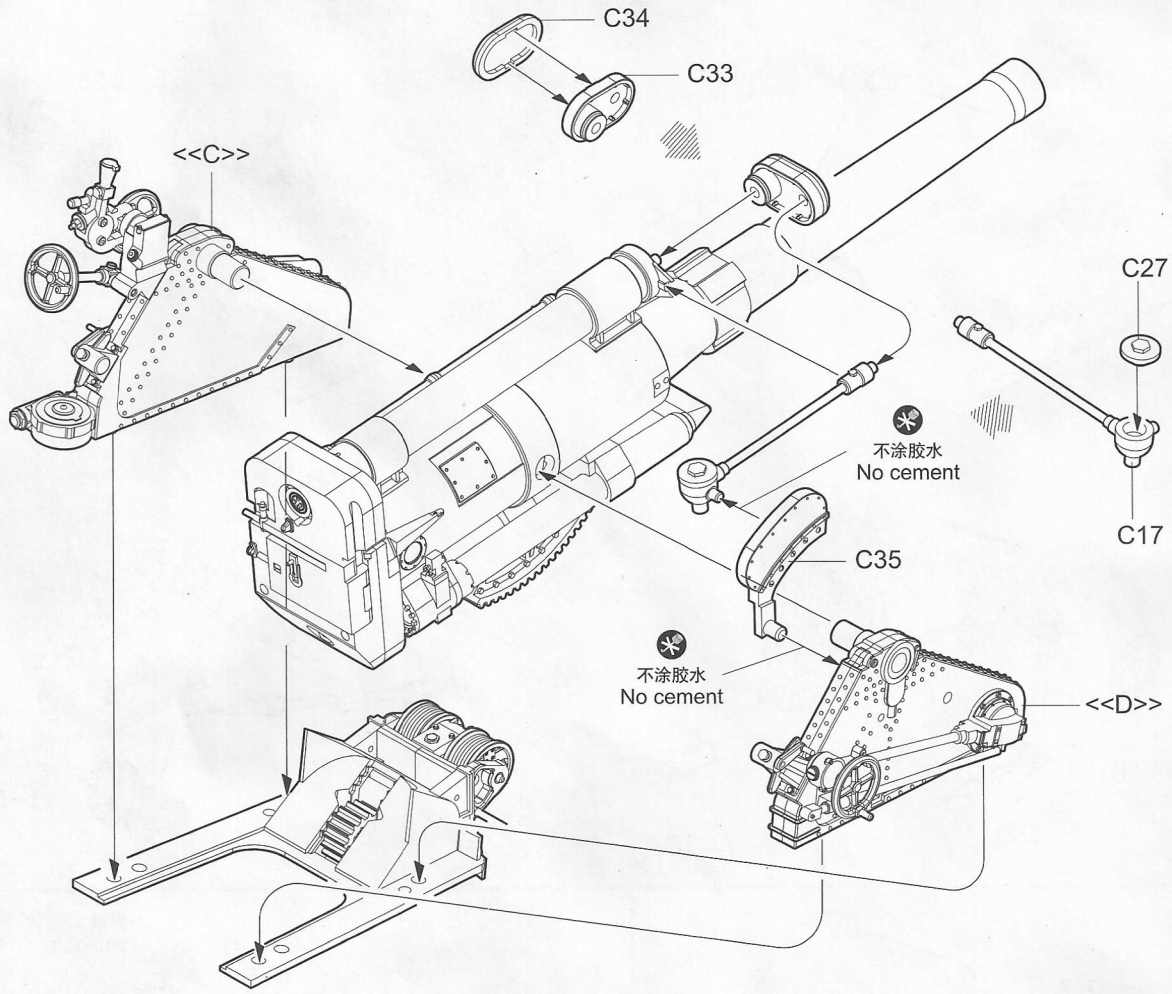


<<E>>
制作2组
Make two

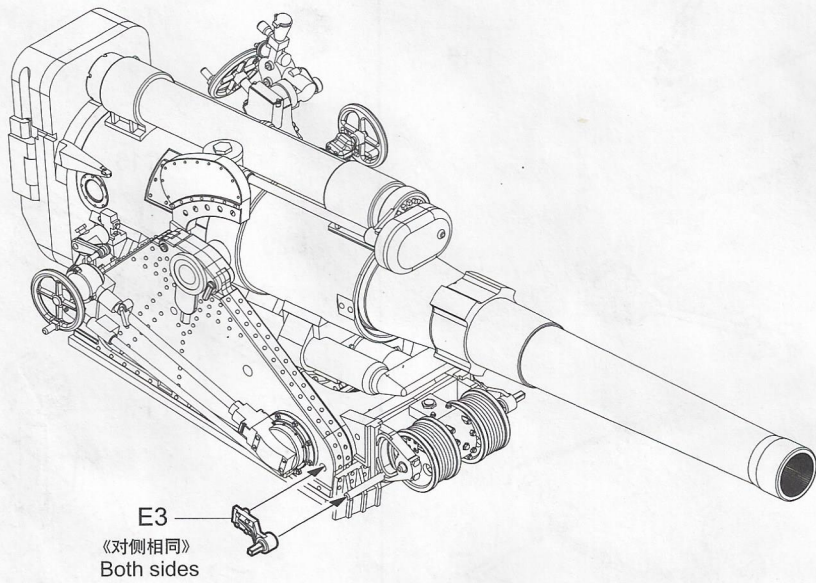
8

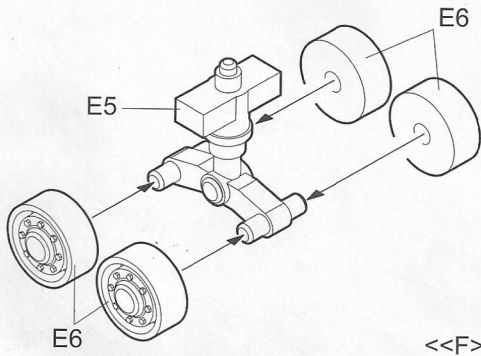


9

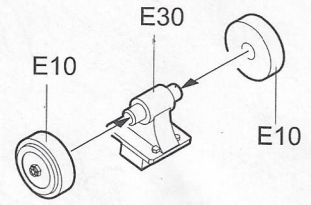


10



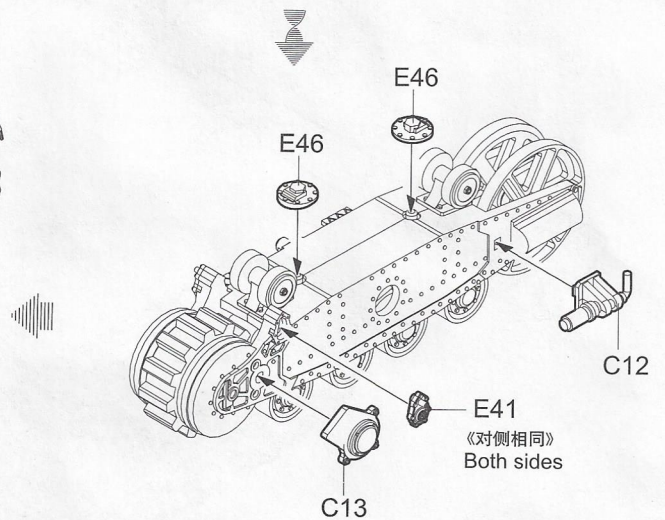
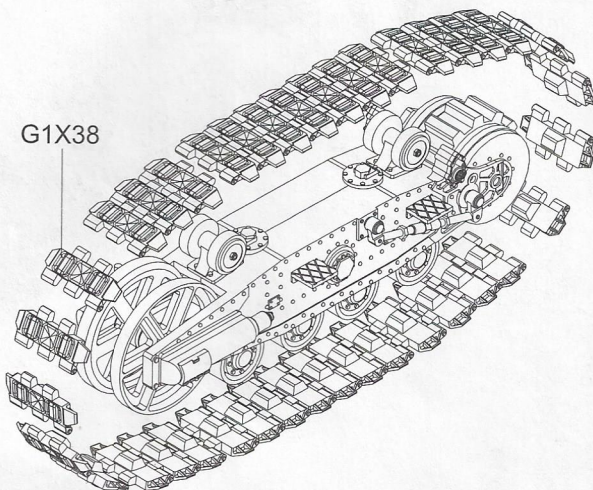
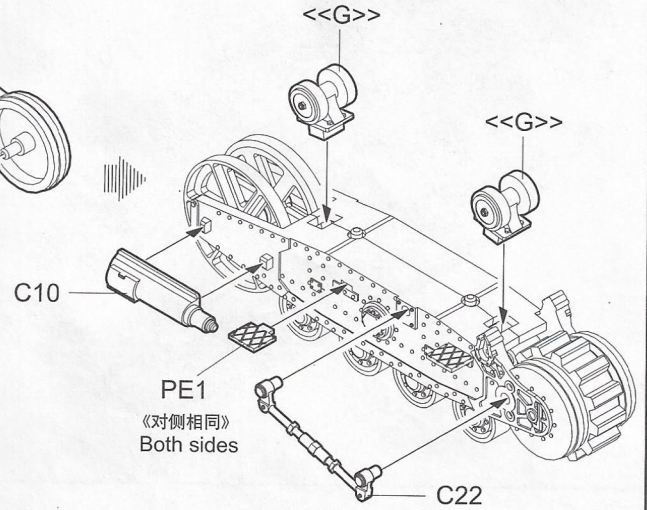
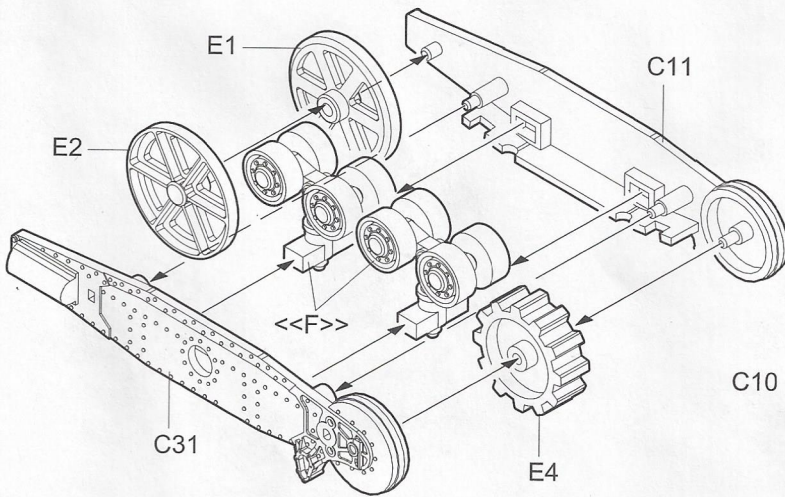


<<F>>
制作4组
Make four

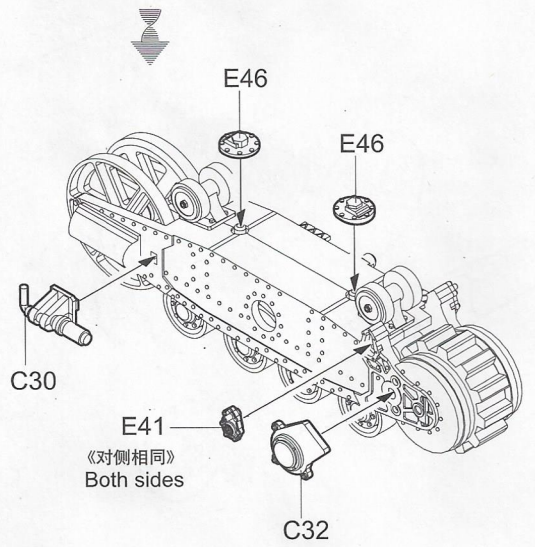
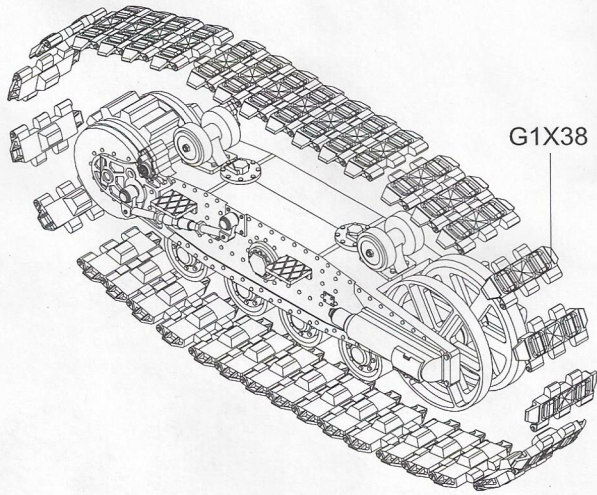
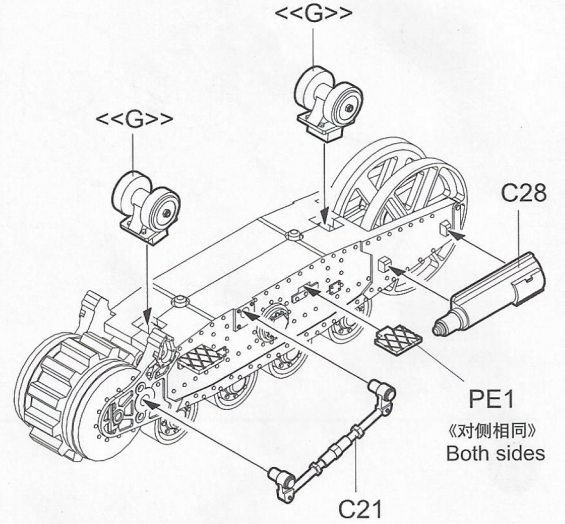
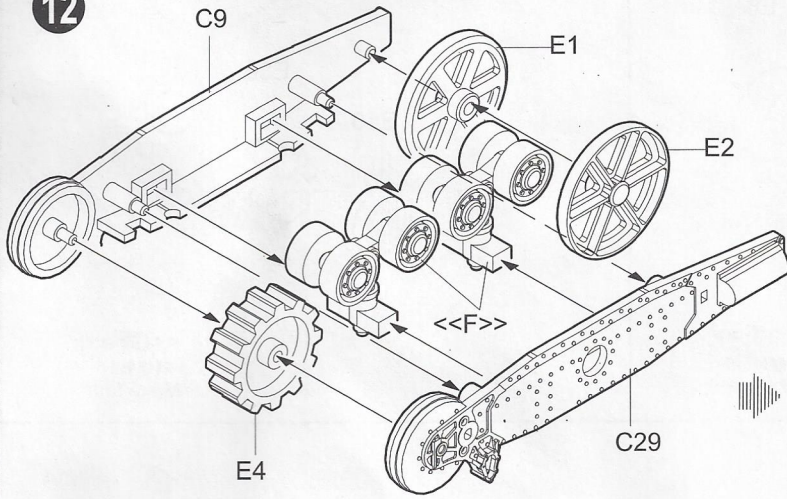


<<G>>
制作4组
Make four

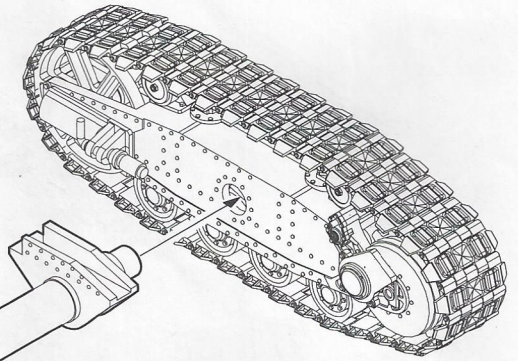
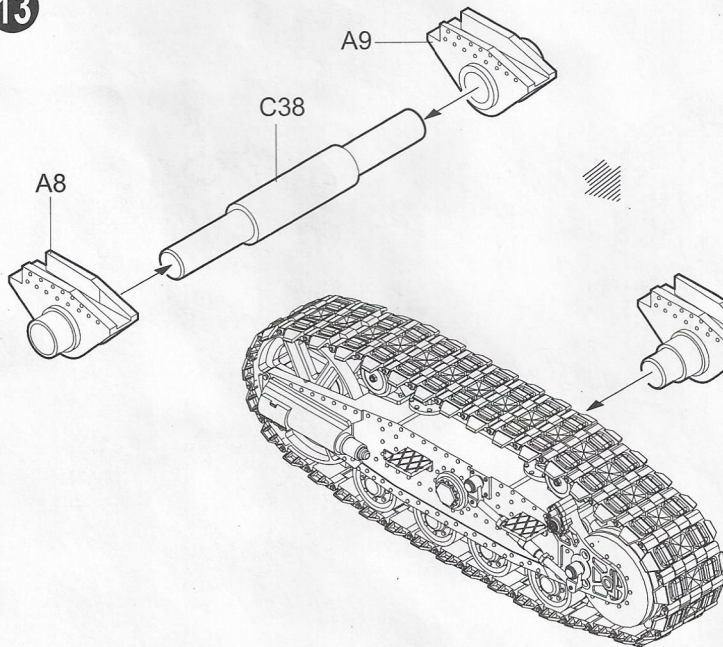
11

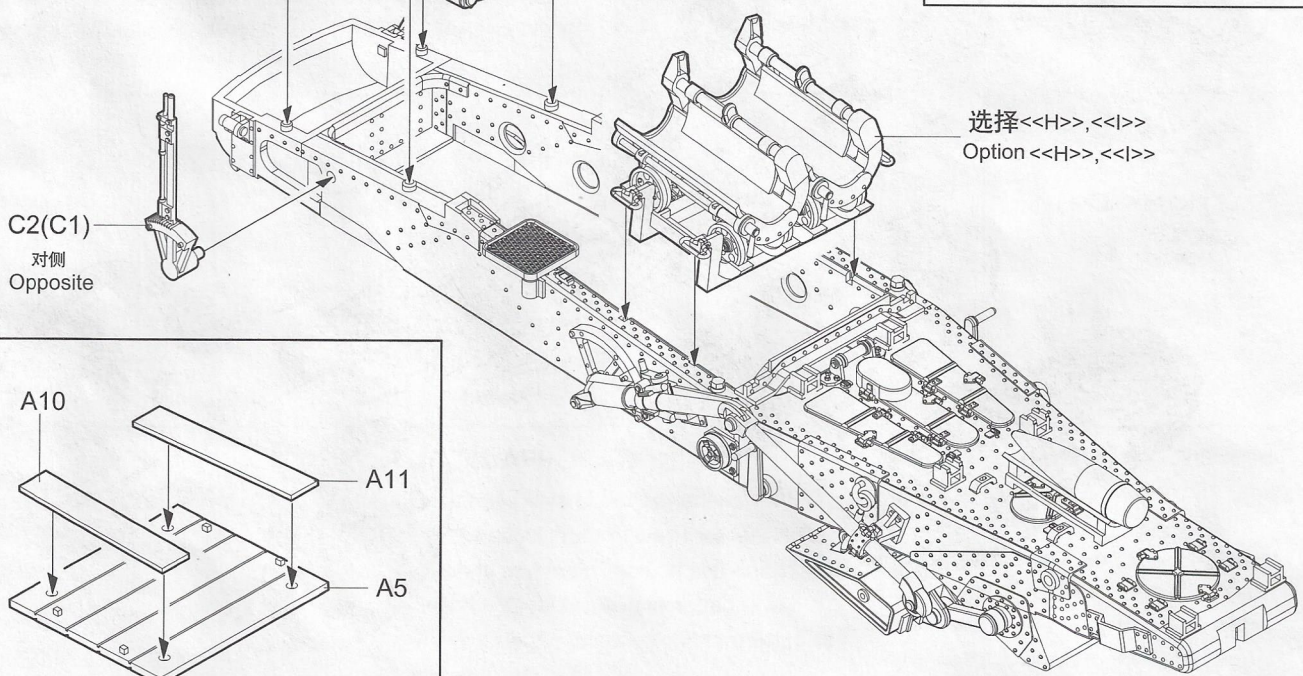
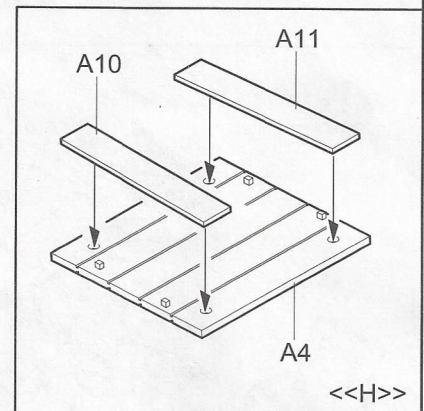
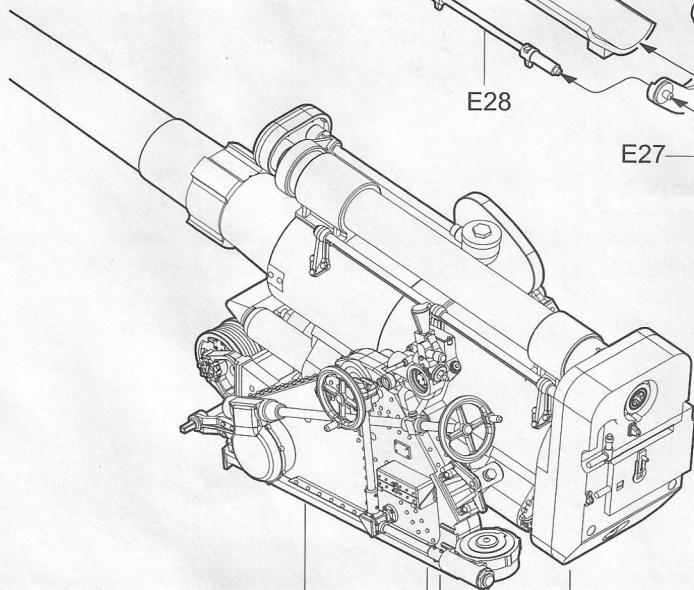
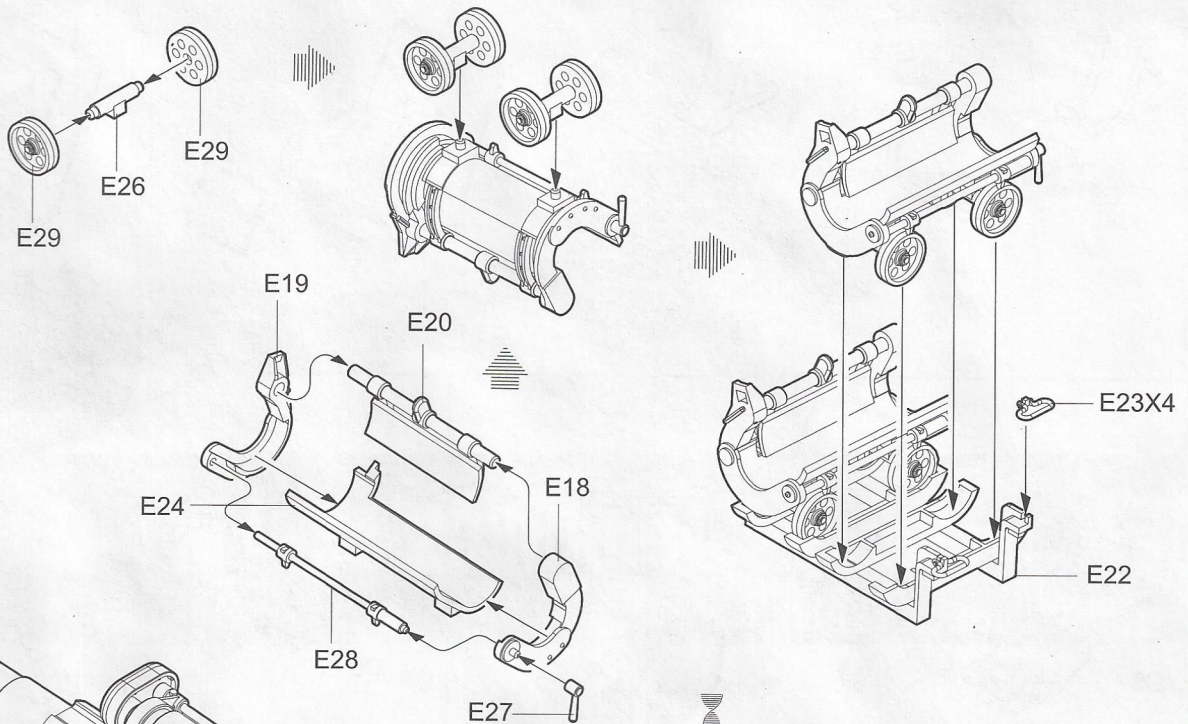


12

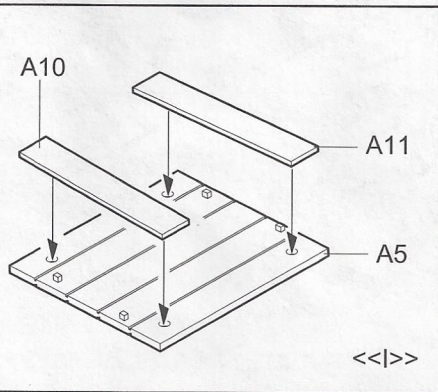


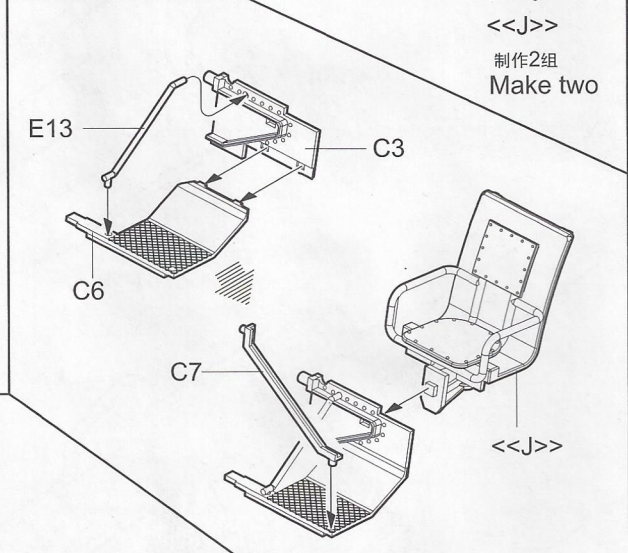
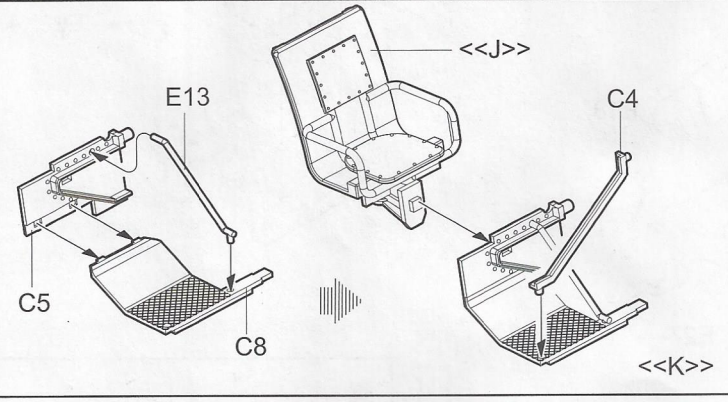
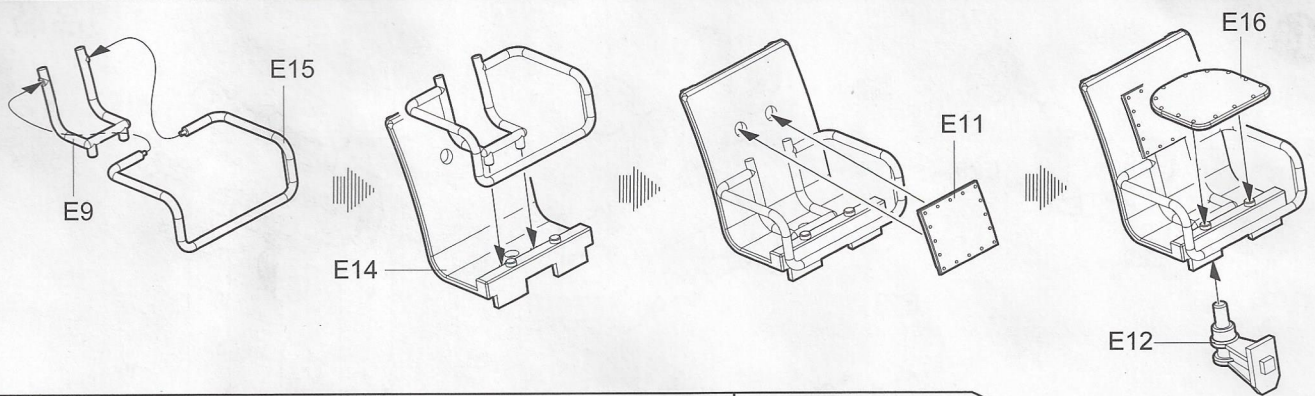
13





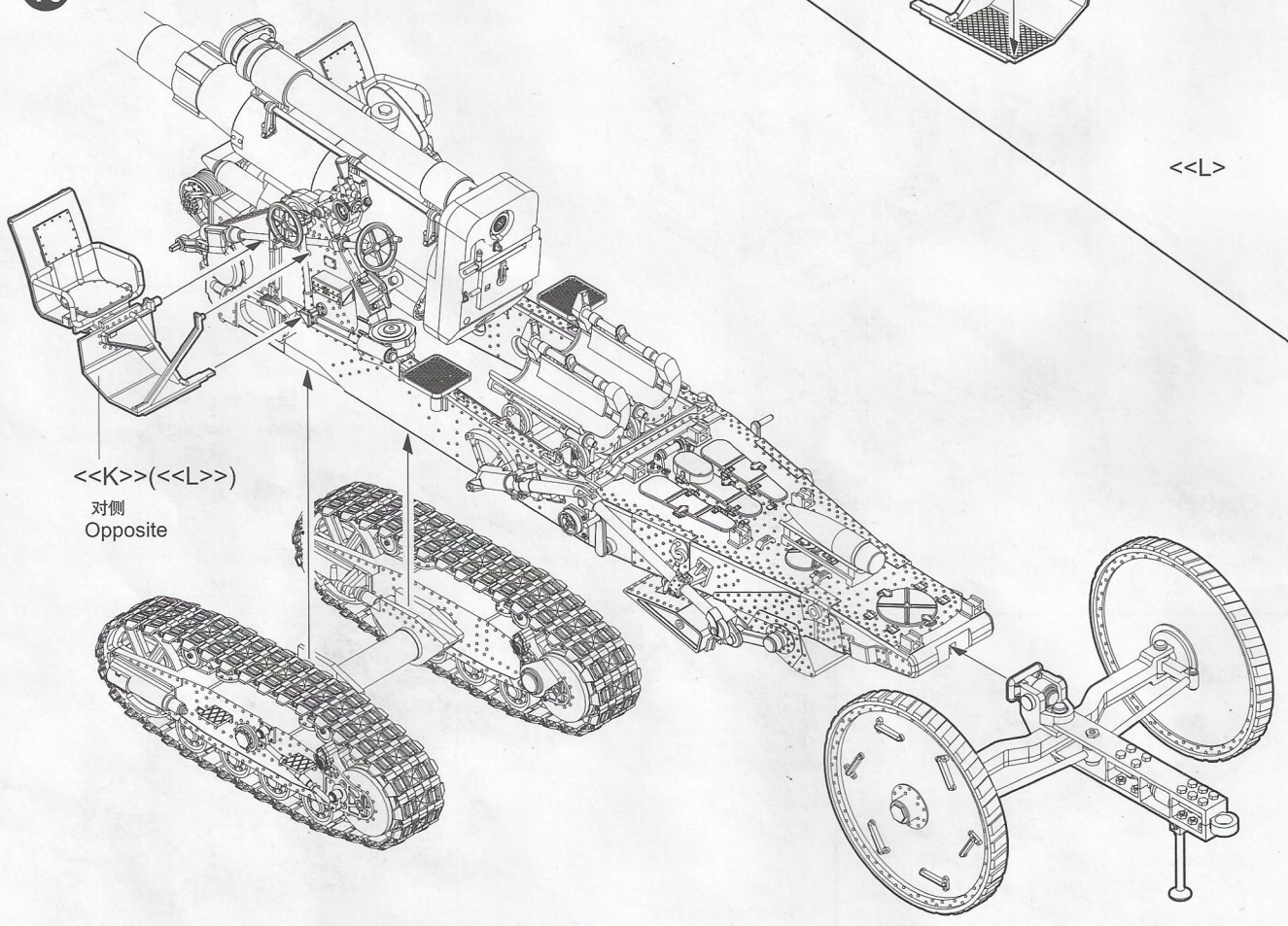
C2(C1)
对侧
Opposite





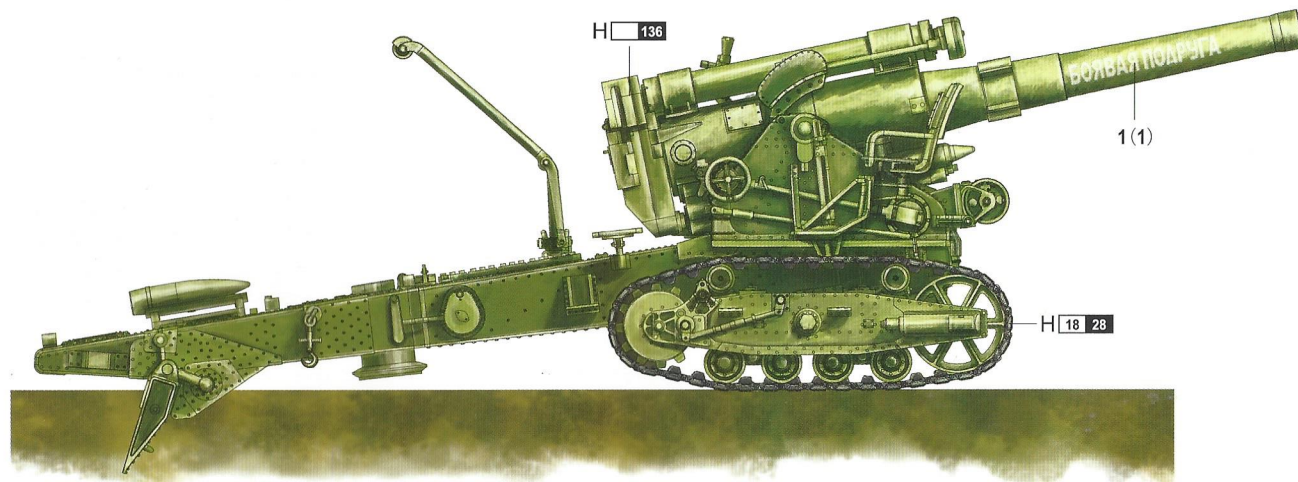
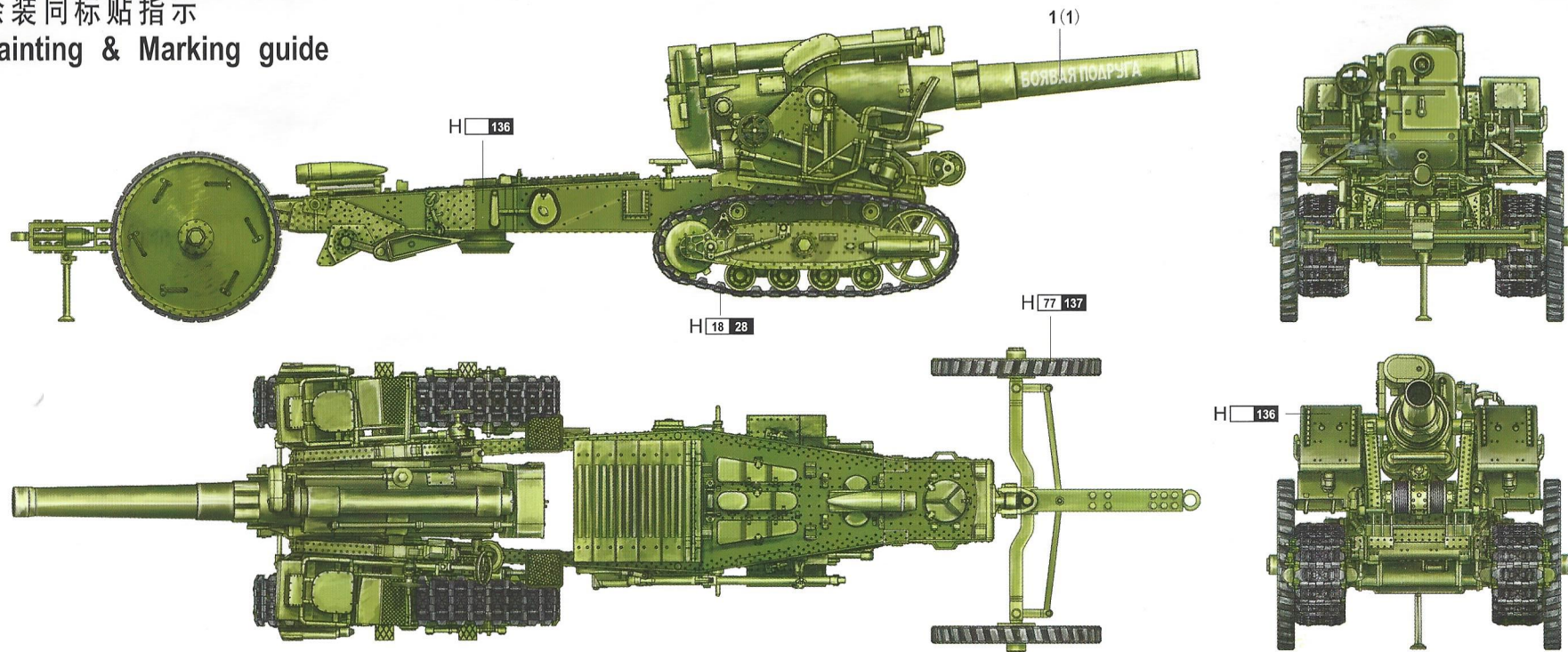
<<J>>
制作2组
Make two

15



<<K>> <<L>>
对侧
Opposite

涂装同标贴指示
Painting & Marking guide



PAINT REFERENCE COLOUR

Color	Mr.Hobby	Vallejo	Model Master	Tamiya	Humbrol
Tire Black 胎黑色	H 77 137	-	-	-	-
Russian Green(2) 苏式绿	H 136	823	-	-	-
Steel(Metal black) 黑铁色	H 18 28	864	1402	-	-

H □ AQUEOUS HOBBY COLOR ■ Mr. COLOR

15 14 13 12 11 10 9 8

1

2

3



02307 1/35 B-4

© 2008 TRUMPETER

БОЯВАЯ ПОДРУГА

1

БОЯВАЯ ПОДРУГА

**02307 1:35 Soviet B-4
M1931 203mm Howitzer**