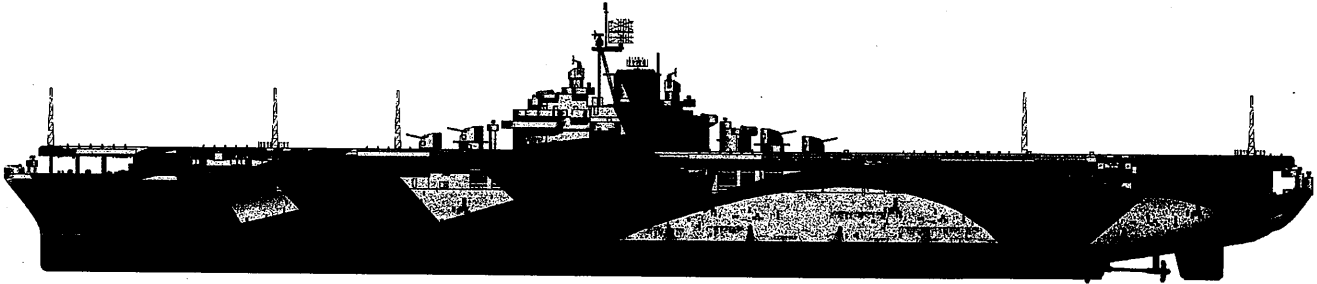


1:700 SCALE

ITEM NO.05736

USS TICONDEROGA CV-14

美国海军提康德罗加号航空母舰 CV-14



READ BEFORE ASSEMBLY

- Study and understand this instructions thoroughly before beginning assembly.
- Remove all injection pins carefull using a modeling file.
- Cut off the photo-etched parts carefully using a modeling knife. Be sure not to lose small parts.
- Apply instant cement to photo etched parts and shafts. Apply too much instant cement will cause movable parts to stick. Apply cement carefully.
- Extra eare should be taken to avoid personal injury when handling the photo etched parts.
- Some parts should depend on decals. Select piror to assembly.
- Tools recommended: (Not included in this kit)
- Cement; Side cutters; Long nose pliers; Modeling knife; Modeling file; Tweezers; Pin vise; Scissors; Instant cement.
- Soft cloth and sand paper will also assist in construction.
- Glue and paints are not in cluded in the kit. Use plastic cement or paints only.
- Keep out of reach of small children. Children must not be allowed to suck any part, or pull vingl bay over the head.

装配之前仔细阅读

- 小心用模型锉刀锉平所有零件表面的注射浇口。
- 小心用刀片切下蚀刻片零件，不要遗失小零件。
- 用强力快干胶水粘合蚀刻片零件和金属轴。过量的快干胶水使用可能导致可动零件会粘住，小心涂胶。
- 取蚀刻片时应特别注意安全，防止利边划伤手指。
- 某些零件表面需贴上水贴纸，请选择在装配的同时进行。
- 推荐模型工具(自备)：胶水，水口剪刀，长咀钳，刀片，锉刀，镊子钳，钻，剪刀，瞬间快干胶。
- 软布同砂纸同时也应该是必备工具。
- 请使用塑料胶水和油漆，模型内不含。
- 谨防小孩吸吮塑料零件，或者将塑料袋套在头上，制作时应将套材远离小孩接触。



cyanoacrylate glue
使用强力胶



weight
配重



make hole
钻孔



cut / remove
切除



bend
弯曲



file / sand
锉平



option
选择



no cement
不涂胶水



decal
贴纸

水贴纸的使用:

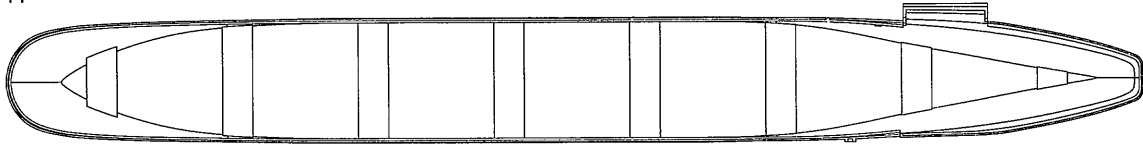
1. 从水贴上剪下印花;
2. 将印花放入温水中浸10秒，然后放在干净布上。
3. 拿着印花纸板将印花移到模型上;
4. 手指蘸水将印花移到适当的位置;
5. 用软布轻压印花直至水干，气泡消失。

DECAL APPLICATION

1. Cut off decal from sheet.
2. Dip the decal in tepid water 40°C for about 10 sec. and place on a clean cloth.
3. Hold the backing sheet edge and slide decal onto the model.
4. Move decal into position by wetting decal with finger.
5. Press decal gently down with a soft cloth until excess water and air bubbles are gone.

部品图
Parts

上船体
Upper hull



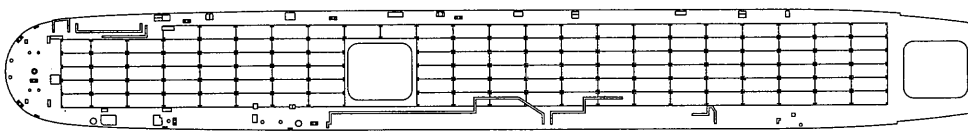
下船底
Lower full



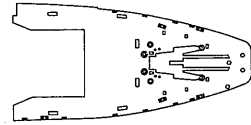
水线板
Waterline plate



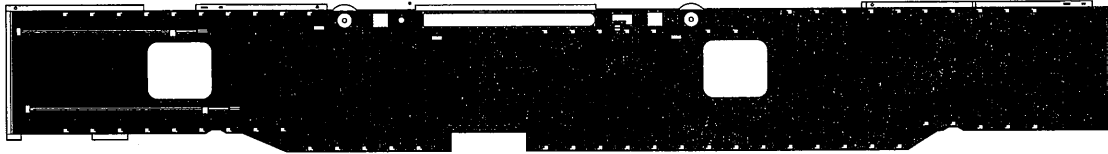
后机库甲板
Stern hangar deck



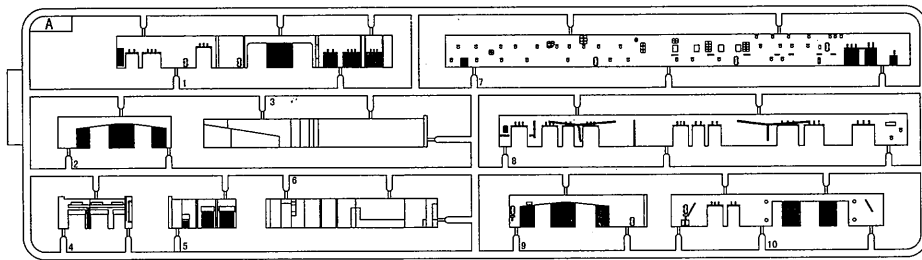
前机库甲板
Fore hangar deck



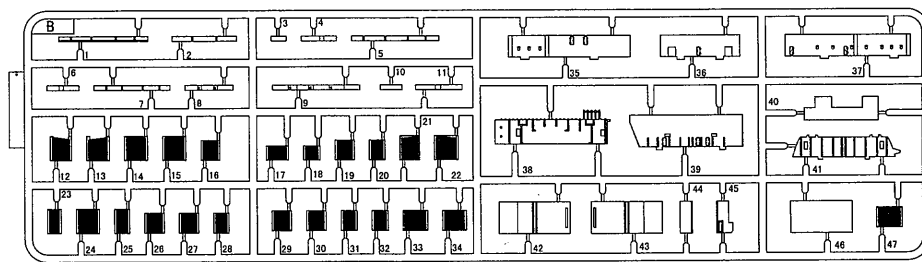
飞行甲板
Flight deck



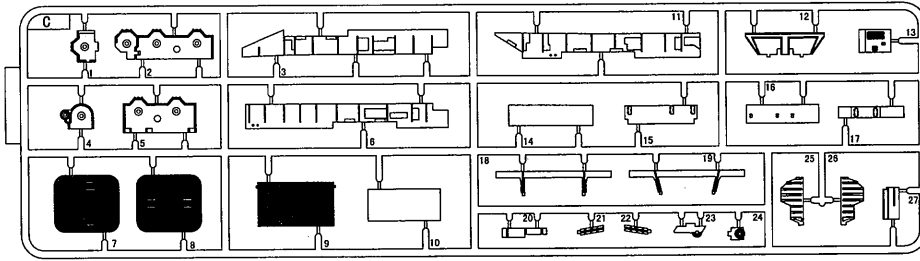
A



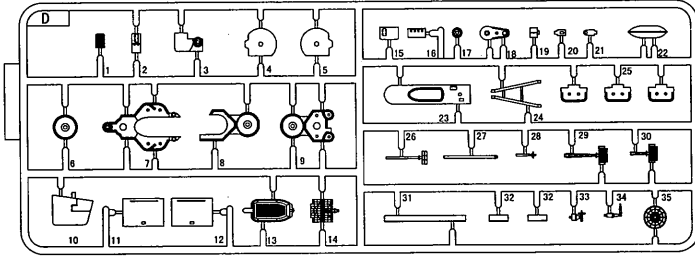
B



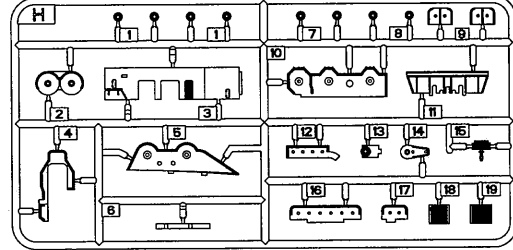
C



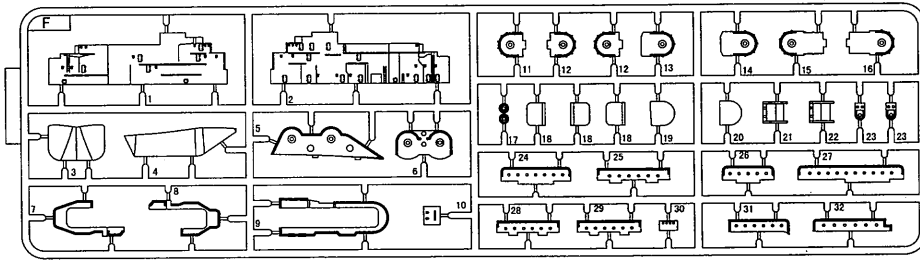
D



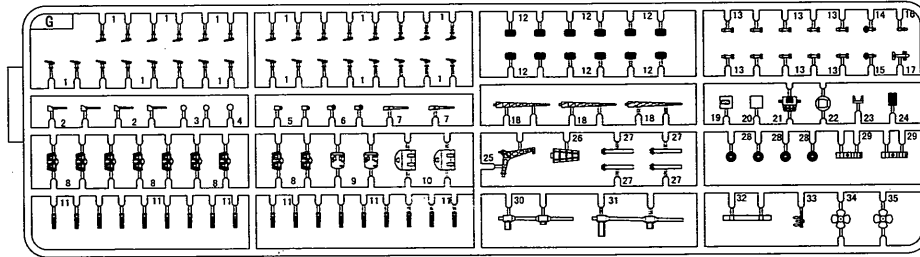
H



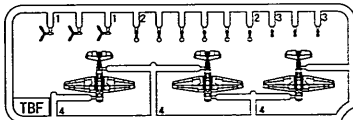
F



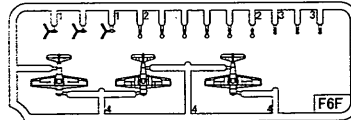
Gx2



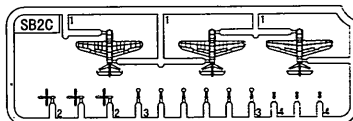
TBFx2sprue



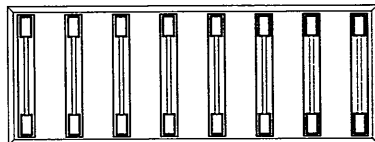
F6Fx5sprue



SB2Cx3sprue



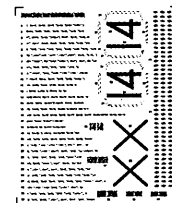
座架
Stand



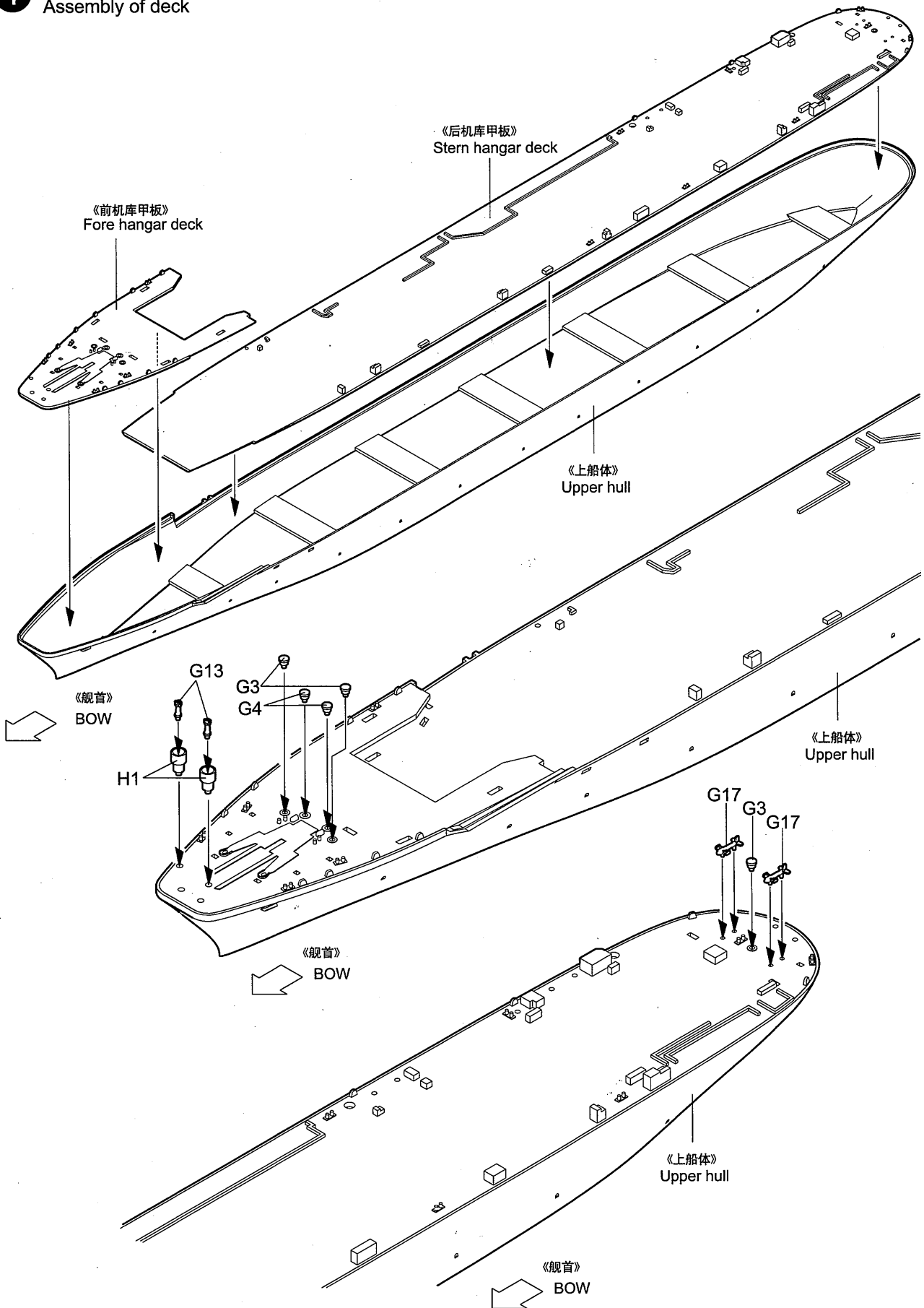
铭牌
Name plate

1:700 SCALE US NAVY CV-14
USS TICONDEROGA

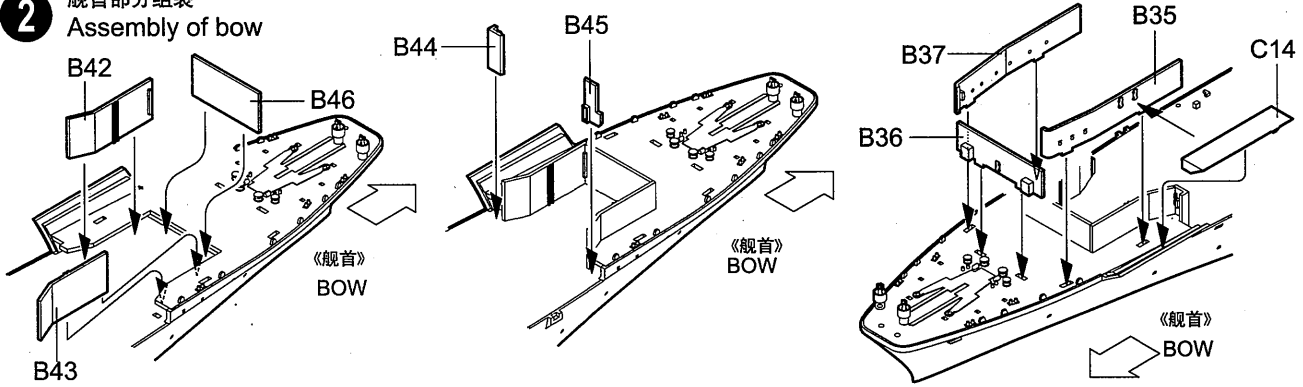
水贴
Decal



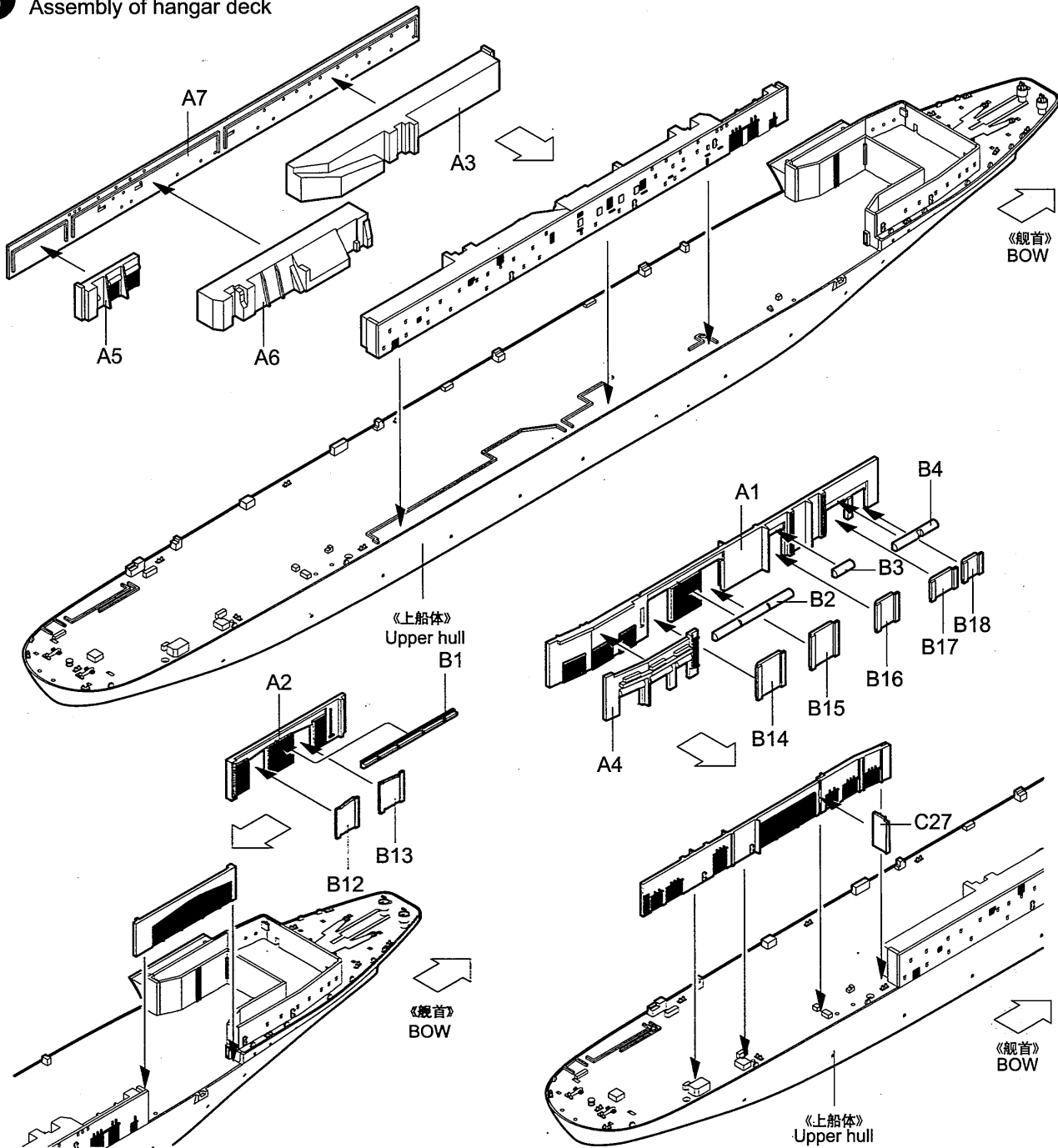
1 甲板的组装
Assembly of deck



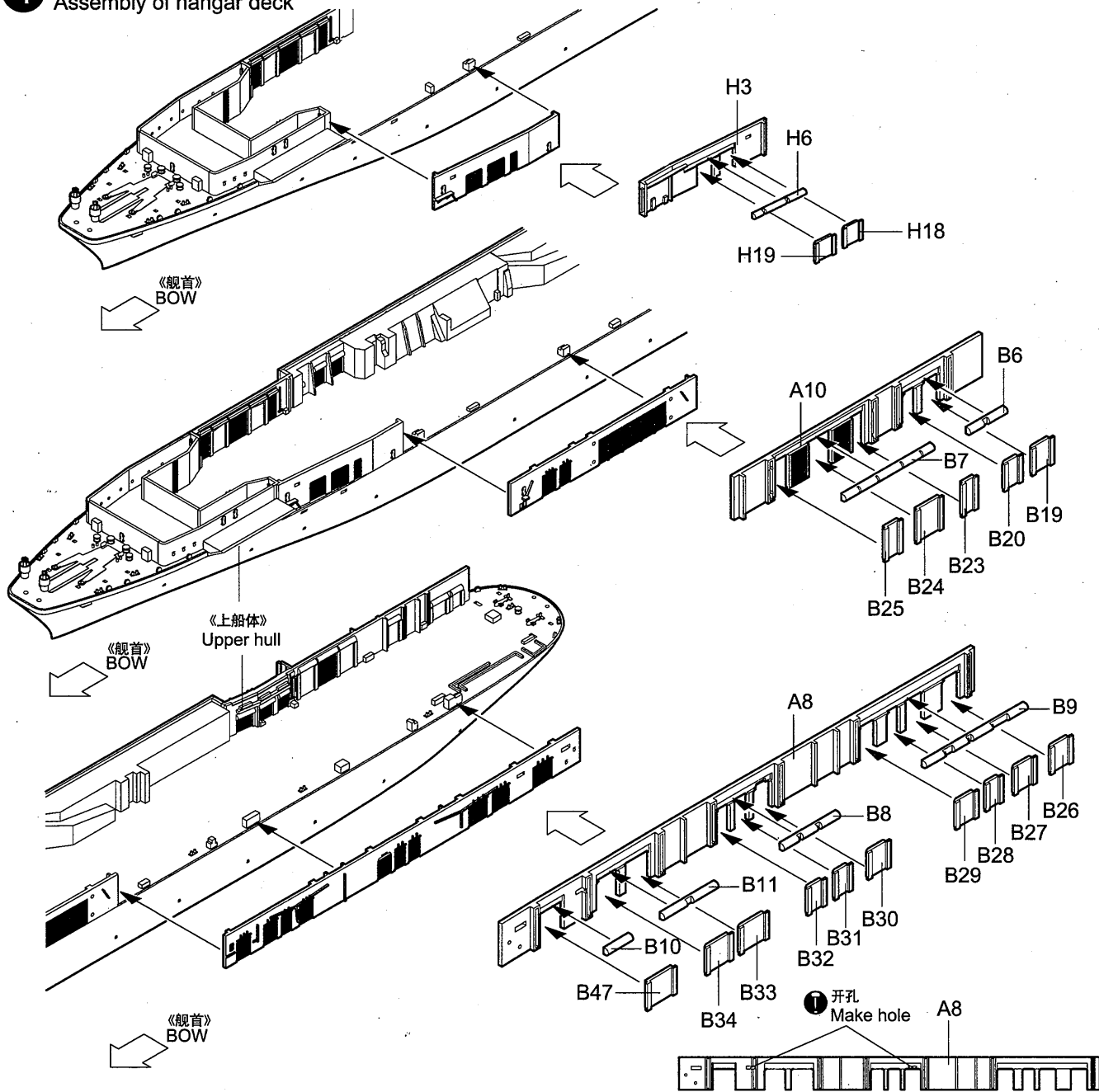
2 舰首部分组装
Assembly of bow



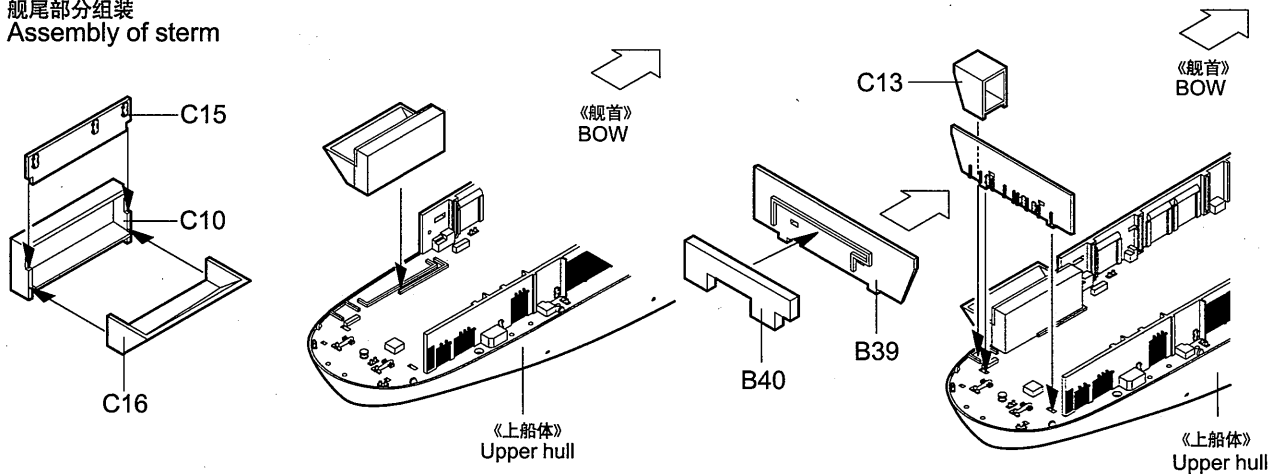
3 舰舷部分组装
Assembly of hangar deck



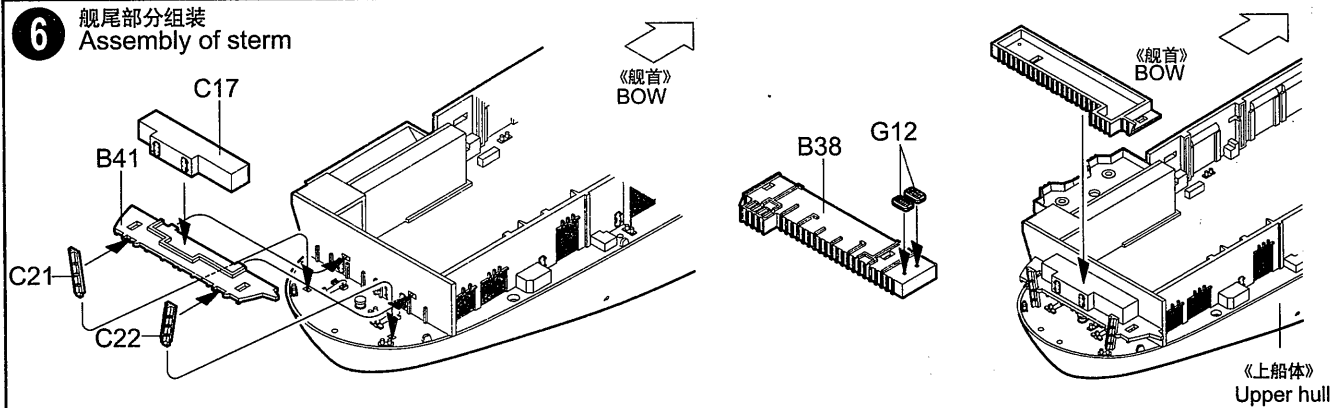
4 舰舷部分组装
Assembly of hangar deck



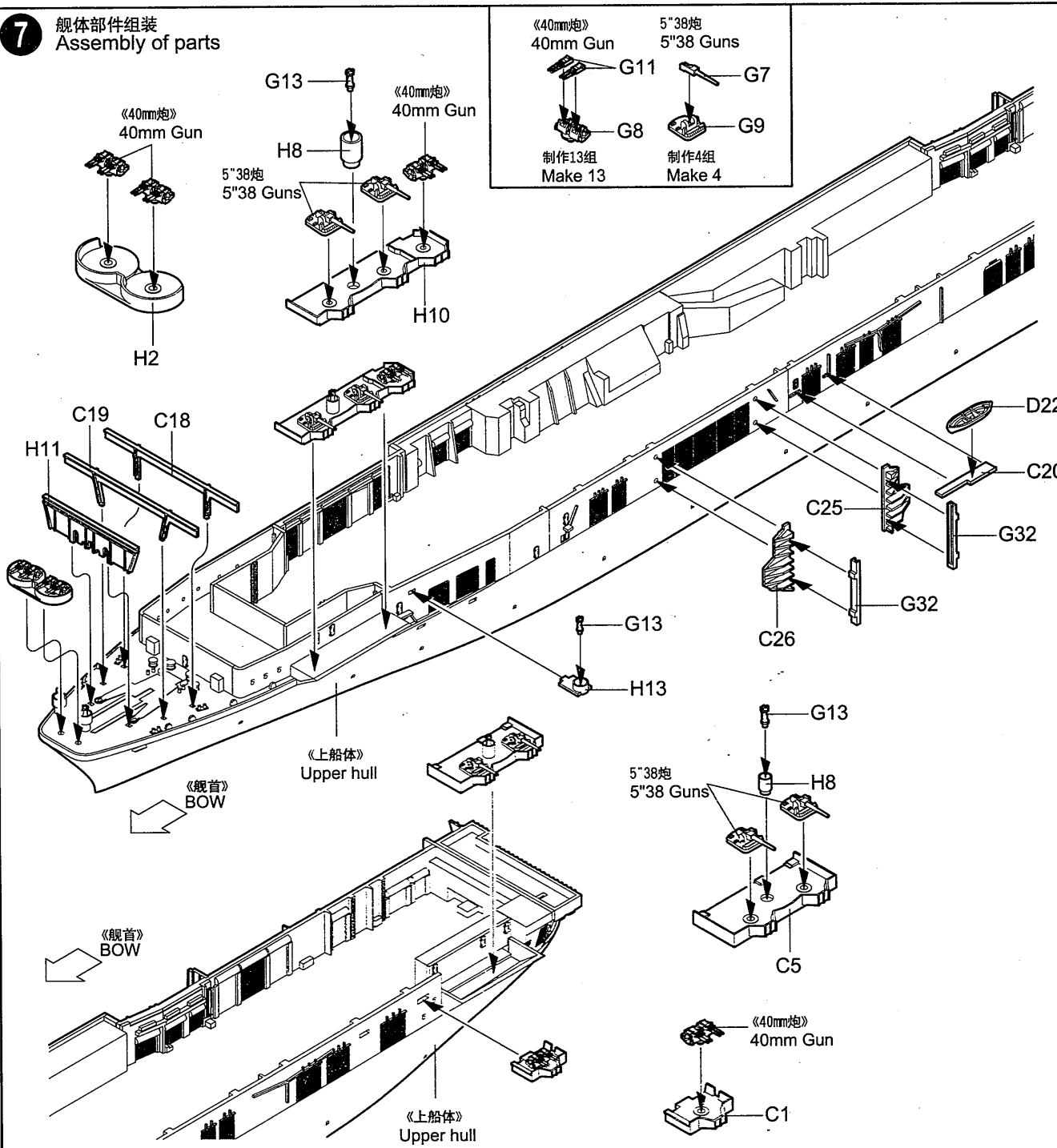
5 舰尾部分组装
Assembly of stern



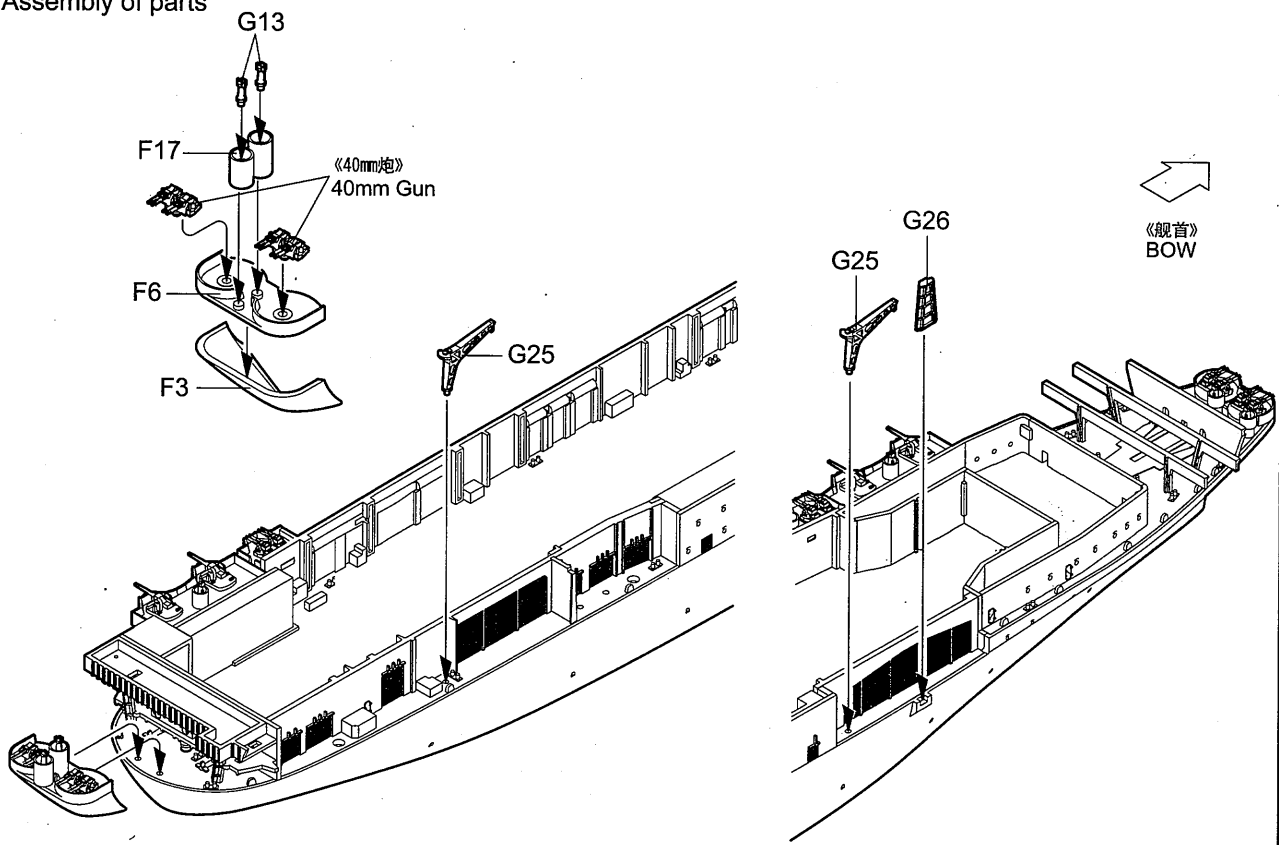
6 舰尾部分组装
Assembly of stern



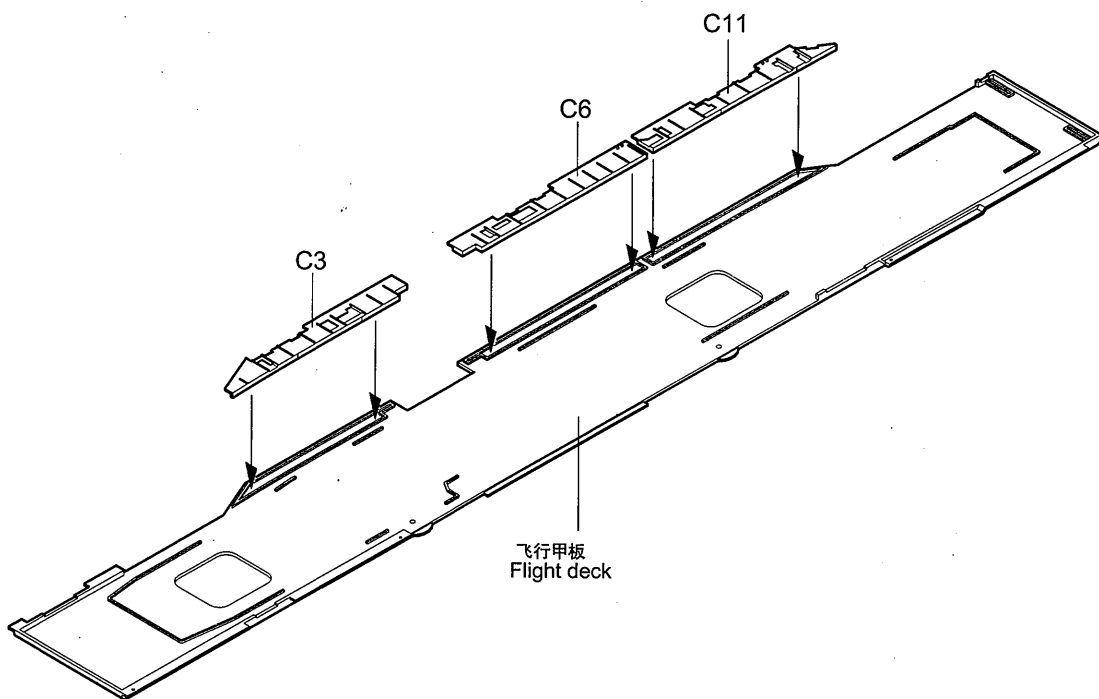
7 舰体部件组装
Assembly of parts



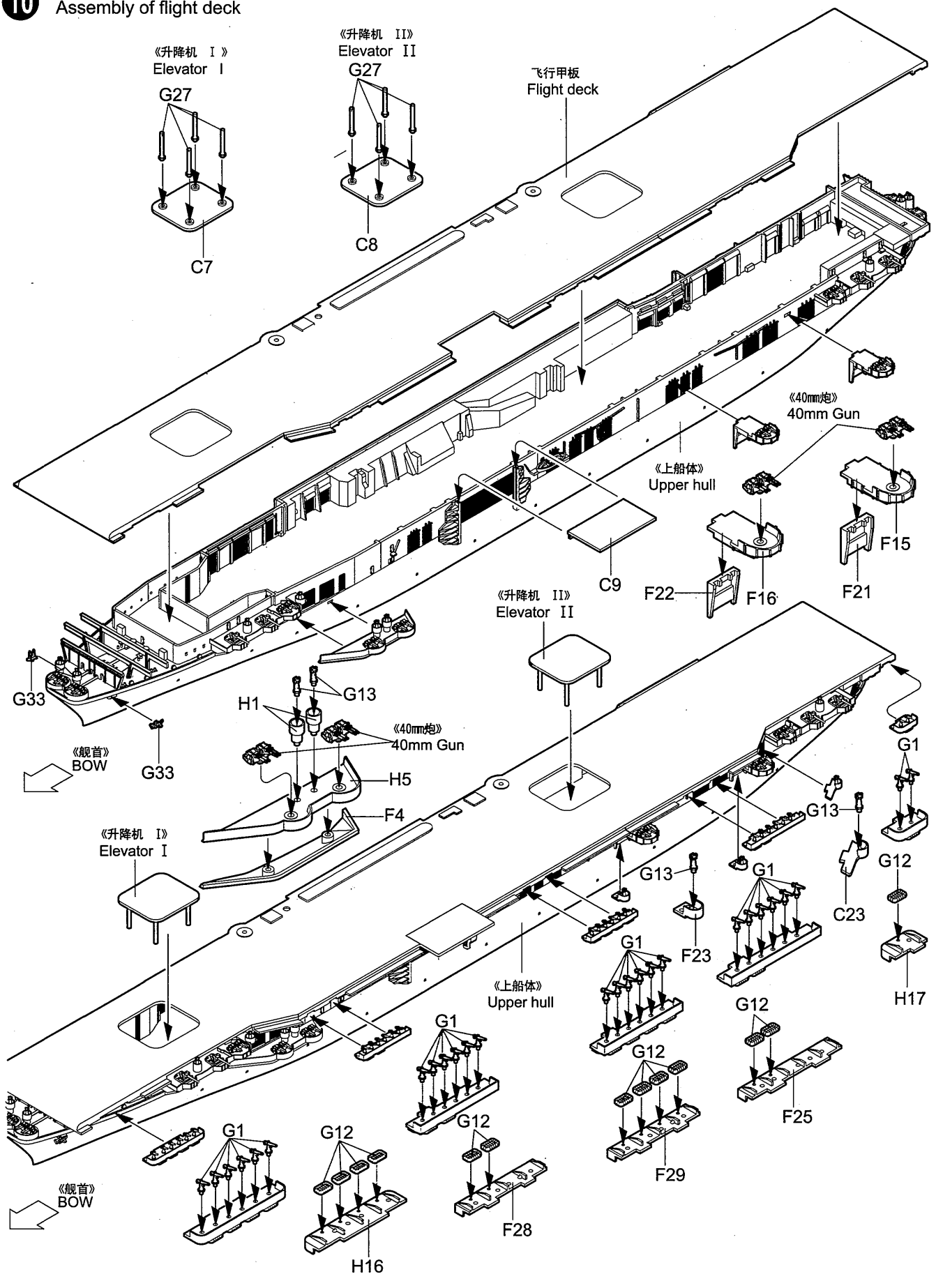
8 舰体部件组装
Assembly of parts



9 飞行甲板的组装
Assembly of deck

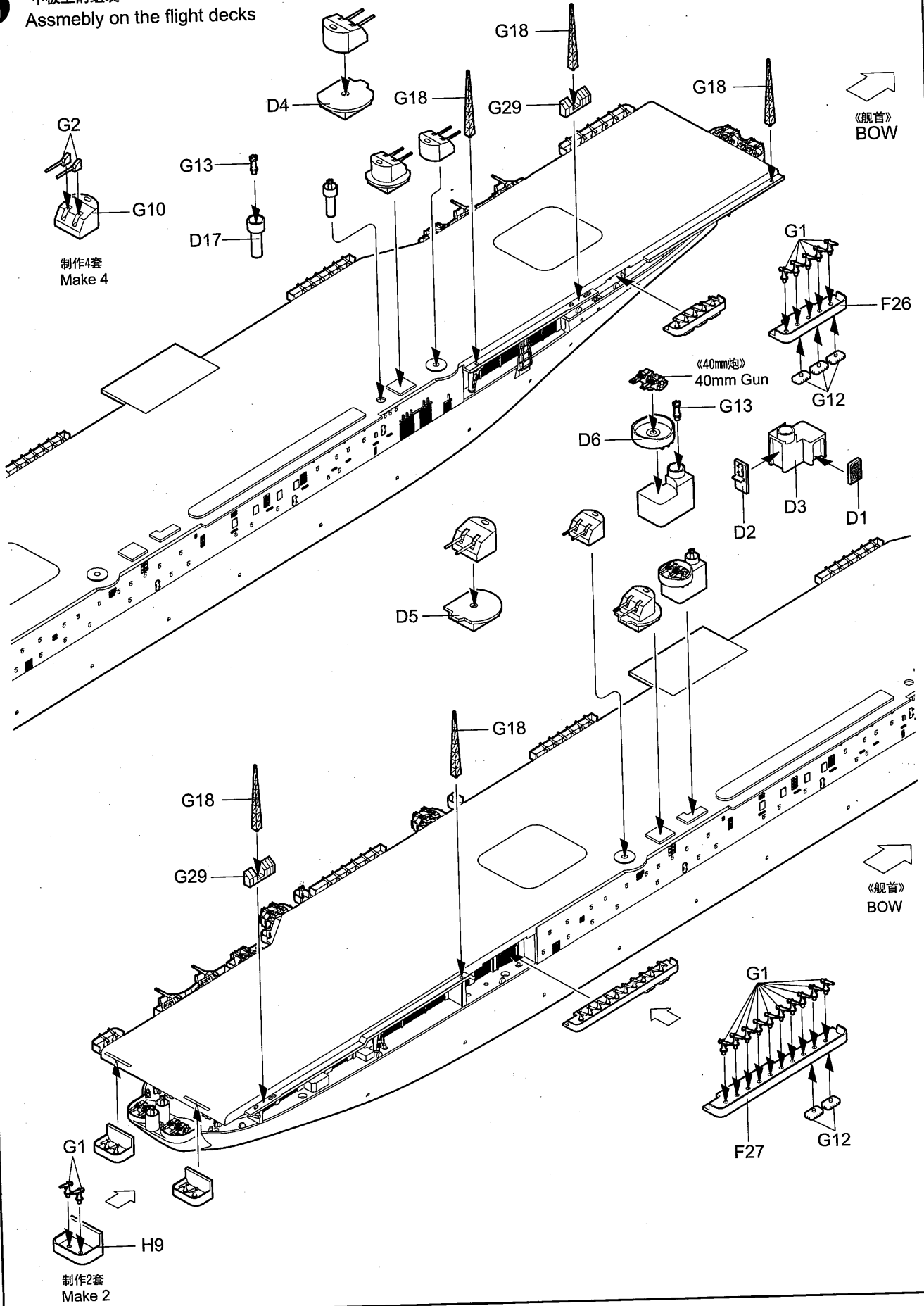


10 飞行甲板的组装
Assembly of flight deck

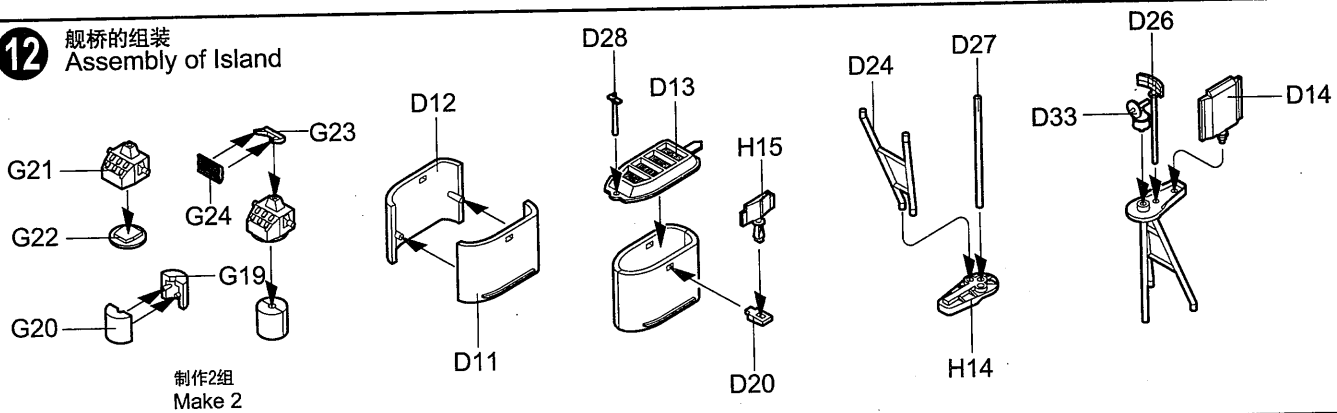


11

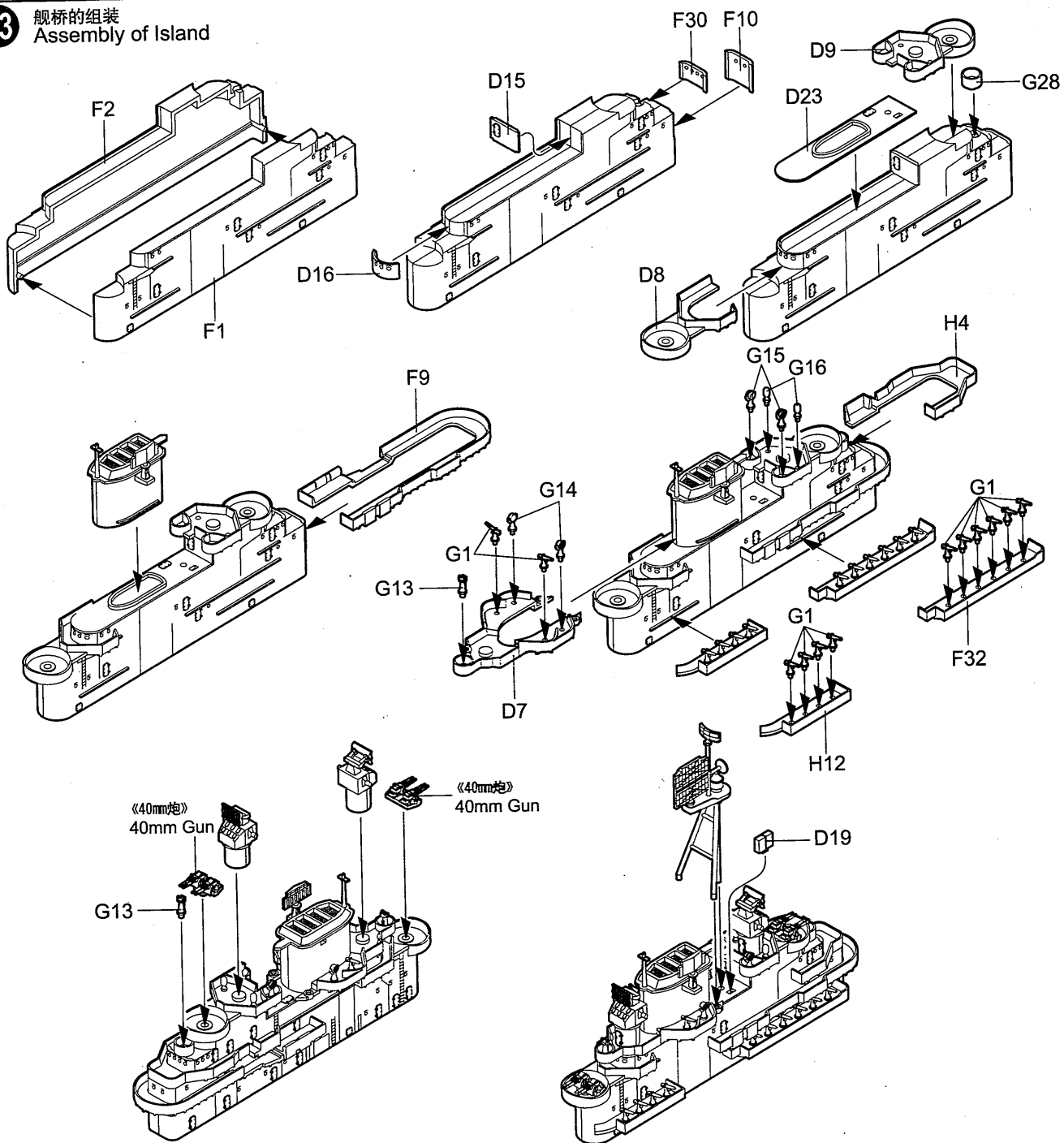
甲板上的组装
Assembly on the flight decks



12 舰桥的组装
Assembly of Island

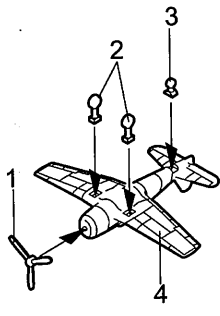


13 舰桥的组装
Assembly of Island

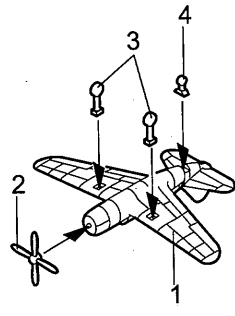


14

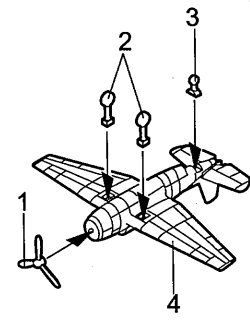
F6F



SB2C

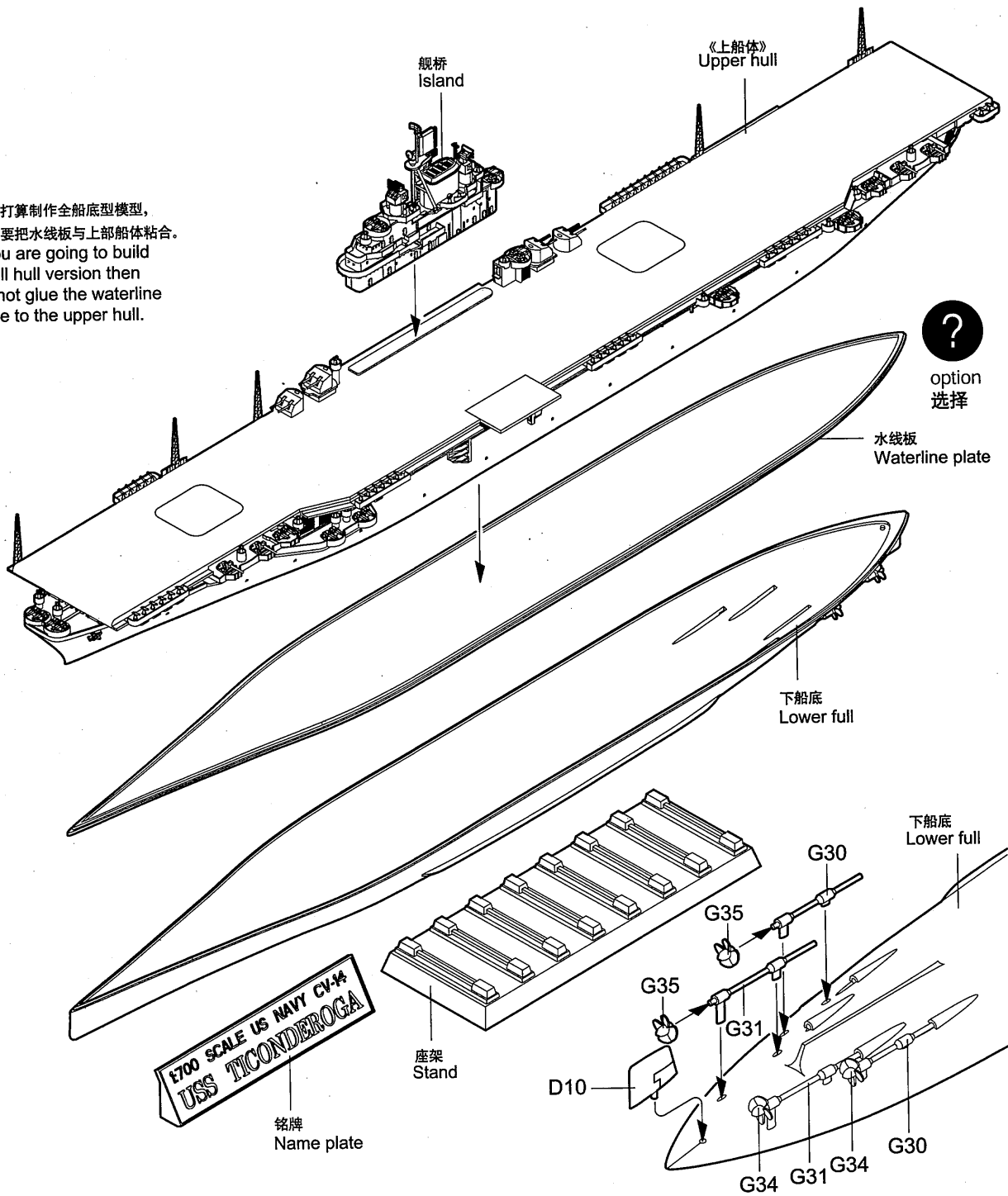


TBF



15

若您打算制作全船底型模型，
请不要把水线板与上部船体粘合。
If you are going to build
a full hull version then
do not glue the waterline
plate to the upper hull.



涂装同标贴指示 Painting & Marking guide

H 9 9	金色	Gold	H 42 72	海洋灰	Ocean gray
H 17 29	舰底色	Hull Red	H 338 338	浅灰色	Light gray
H 12 33	消光黑	Flat Black	H 365	甲板蓝	Deck blue
H 55 71	海蓝色	Sea Blue			

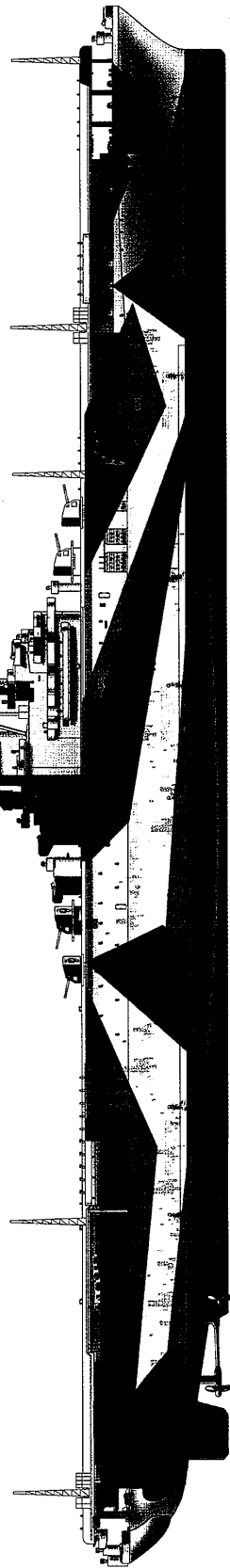
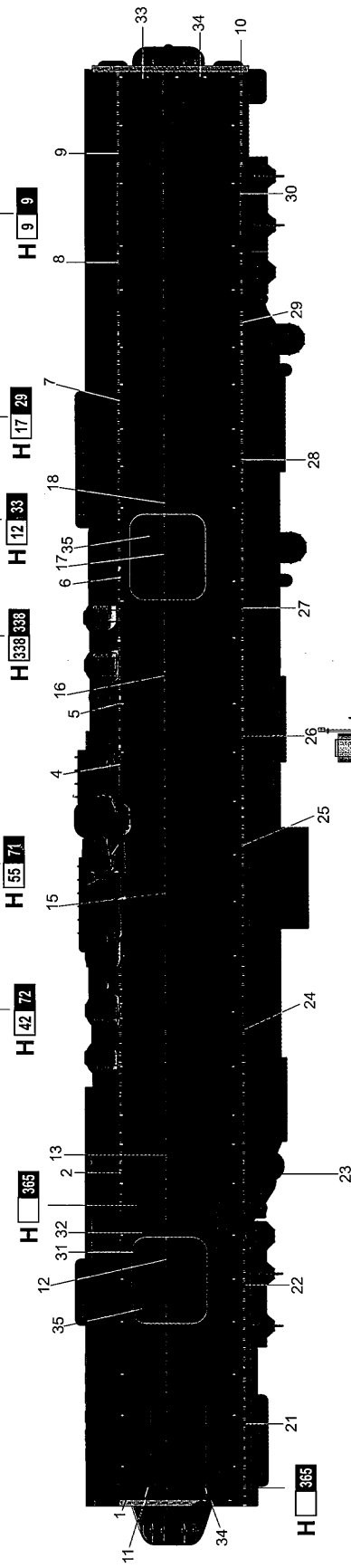
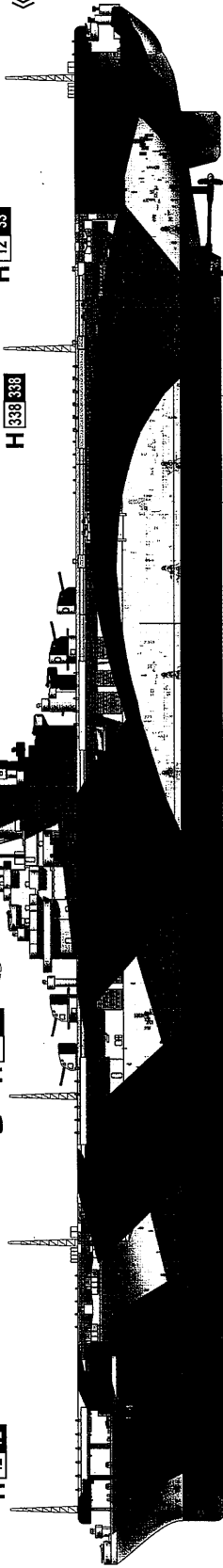
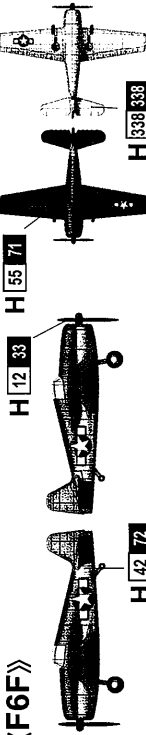
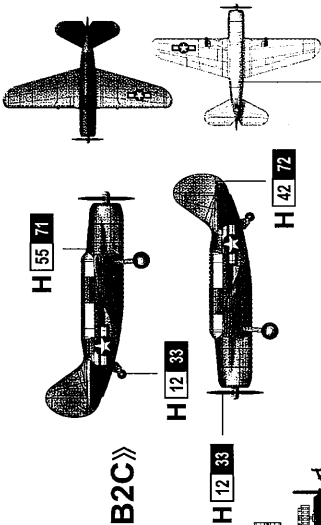
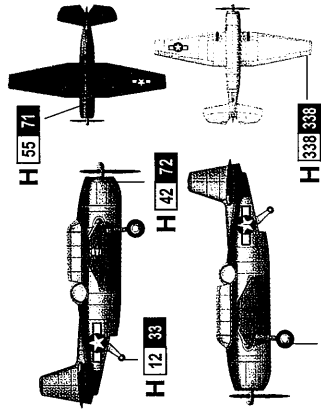
H X GUNZE SANGYO AQUEOUS HOBBY COLOUR

X GUNZE SANGYO MR. COLOUR

《SB2C》

《F6F》

《TBF》



05736 1700 USS TICONDEROGA CV-14