

# McDONNELL DOUGLAS F-15C EAGLE

## 1/72 Scale

The modern jet fighter has become a technological wonder, filled with complex electronic gear. The current role of the fighting plane has become so far removed from its original concept that it bears almost no resemblance to the typical combat situations of World War II. We learned in Vietnam that our highly sophisticated, missile-armed fighters were often at a disadvantage when engaging the more nimble MiG-21, for example and the need for cannon armament was clearly demonstrated. In aerial conflicts we learned that supersonic speed is not nearly as advantageous as fast response and maneuverability.

To address these problems, the F-15 Eagle was designed specifically to reprise the role of "dogfighter". To do this, the basic engineering was directed toward lower maintenance time by using less complicated systems. Maintaining the Eagle takes about half the time it takes for a Phantom II, yet the F-15 retains essential automatic controls, such as engine inlet positioning. The Eagle's twin Pratt & Whitney F100 afterburning turbofans produce 10,000 more pounds of thrust than the weight of the plane. This allows the F-15 to turn tightly without sacrificing precious airspeed. The Eagle carries one 20mm rotary cannon as standard equipment, but eight hardpoints can carry an enormous variety of additional weaponry to enhance the dogfighting abilities of the plane. The single-seat F-15C is the second generation version of the single seat Eagle and replaced the F-15A in June, 1979. Externally, it shows little change, but inside it contains newer and more versatile electronics making today's Eagle far more deadly.

ENGLISH	FRENCH	GERMAN	SPANISH	ITALIAN
WHITE	BLANCO	WEISS	BLANC	BIANCO
YELLOW	JAUNE	GELB	AMARILLO	GIALLO
RED	ROUGE	ROT	ROJO	ROSSO
BLUE	BLEU	BLAU	AZUL	BLU
GRAY	GRIS	GRAU	GRIS	GRIGIO
GUNMETAL	METALLIC	METALLIC	METALICO	METALLICO
GREEN	VERT	GRUN	VERDE	VERDE
SILVER	ARGENT	SILBERN	PLATA	ARGENTO
BLACK	NOIR	SCHWARZ	NEGRO	NERO
ORANGE	ORANGE	ORANGE	NARANJADO	ARANCIO
AMBER	AMBRE	BERNSTEINFARBEN	AMBAR	AMBRA
ALUMINUM	ALUMINUM	ALUMINUMFARBEN	ALUMINIO	ALLUMINIO
GLOSS	LUSTRE	GLANZENDES	BRILLANTE	BRILLANTE
FLAT	TERNE	GLANZLOSES	APAGADO	OPACO

© 1991 Minicraft Models Inc.

**ACADEMY**  
**MINICRAFT**  
MODEL KITS

2108



Cement Parts  
Coller  
Kleben  
Pegar  
Incollare  
Colar  
Kleven



DO NOT cement  
Ne pas coller  
Nicht kleben  
No pegar  
Non incollare  
Nao colar  
Niet kleven



Cut away  
Couper  
Scheiden  
Cortar  
Tagliare  
Cortar  
Snijden



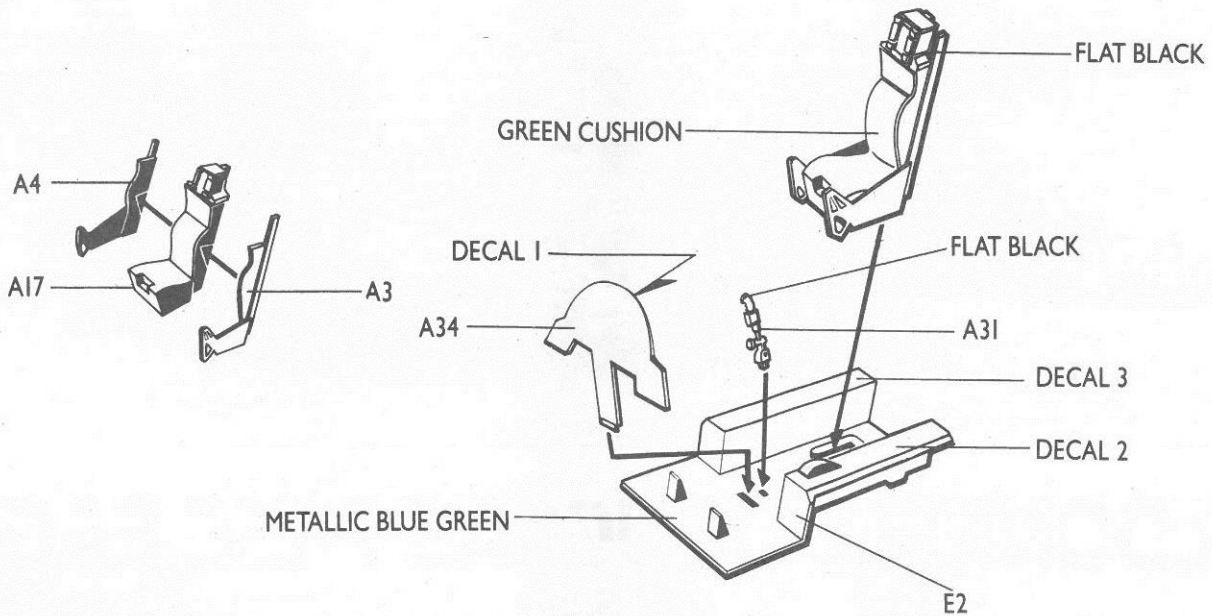
Optional parts  
Choix  
Auswahlmöglichkeit  
Eleccion  
Scelta  
Opcao  
Keuze



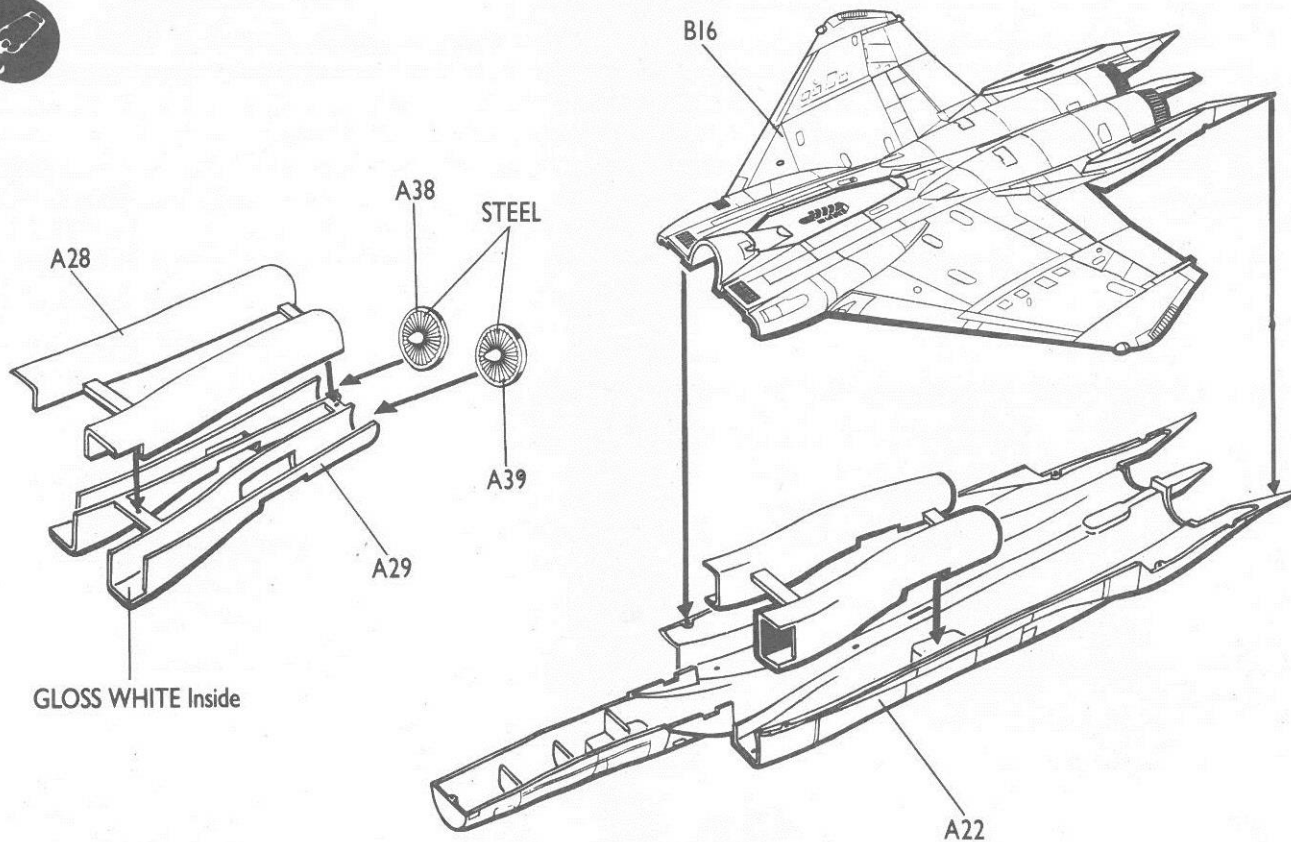
3

Repeat operation  
Répéter l'opération  
Vorgang wiederholen  
Repitir la operacion  
Ripetere  
Repitir a operação  
Herhalen

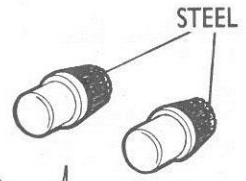
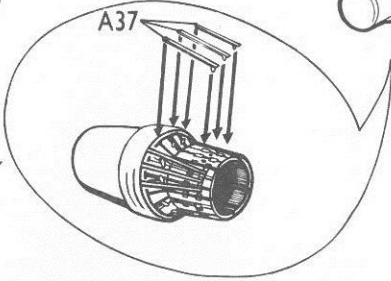
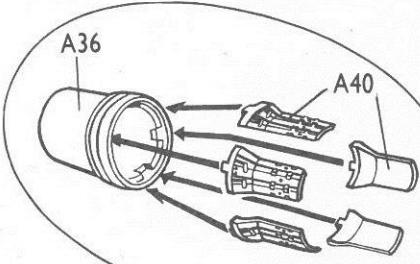
# 1 EJECTION SEAT & COCKPIT



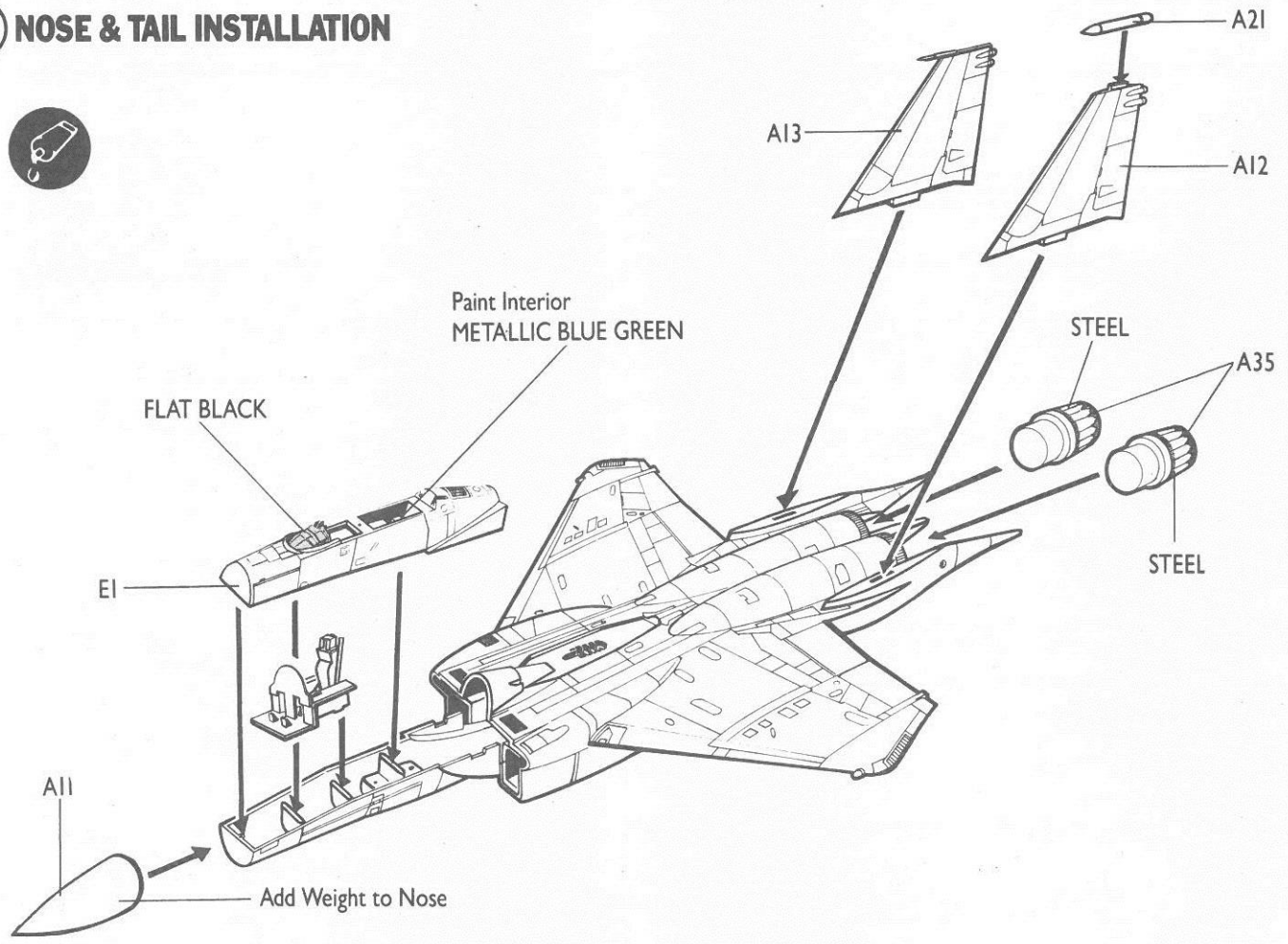
# 2 ENGINES & INSTALLATION



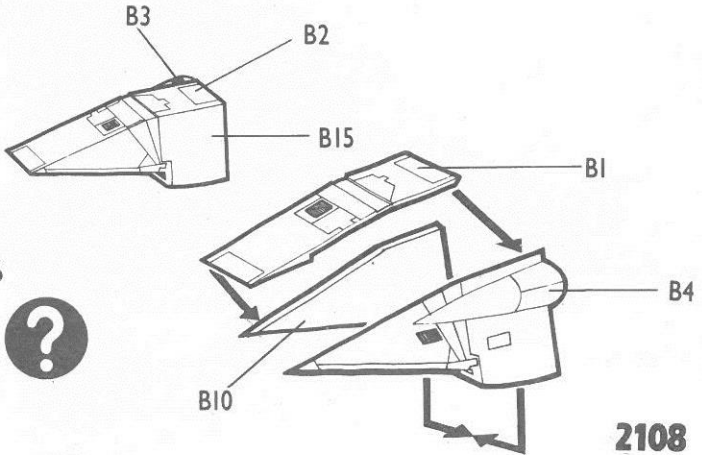
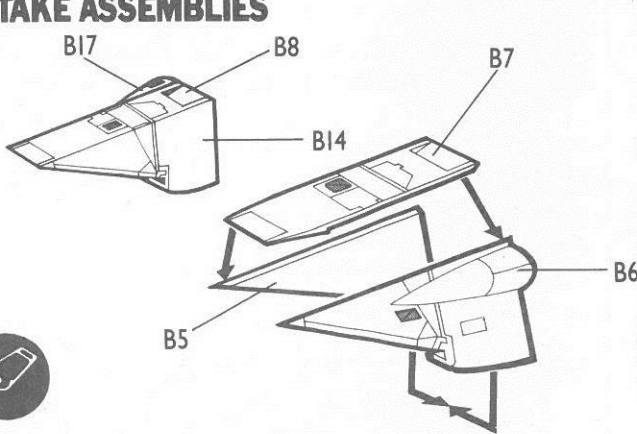
### 3 AFTERBURNERS



### 4 NOSE & TAIL INSTALLATION



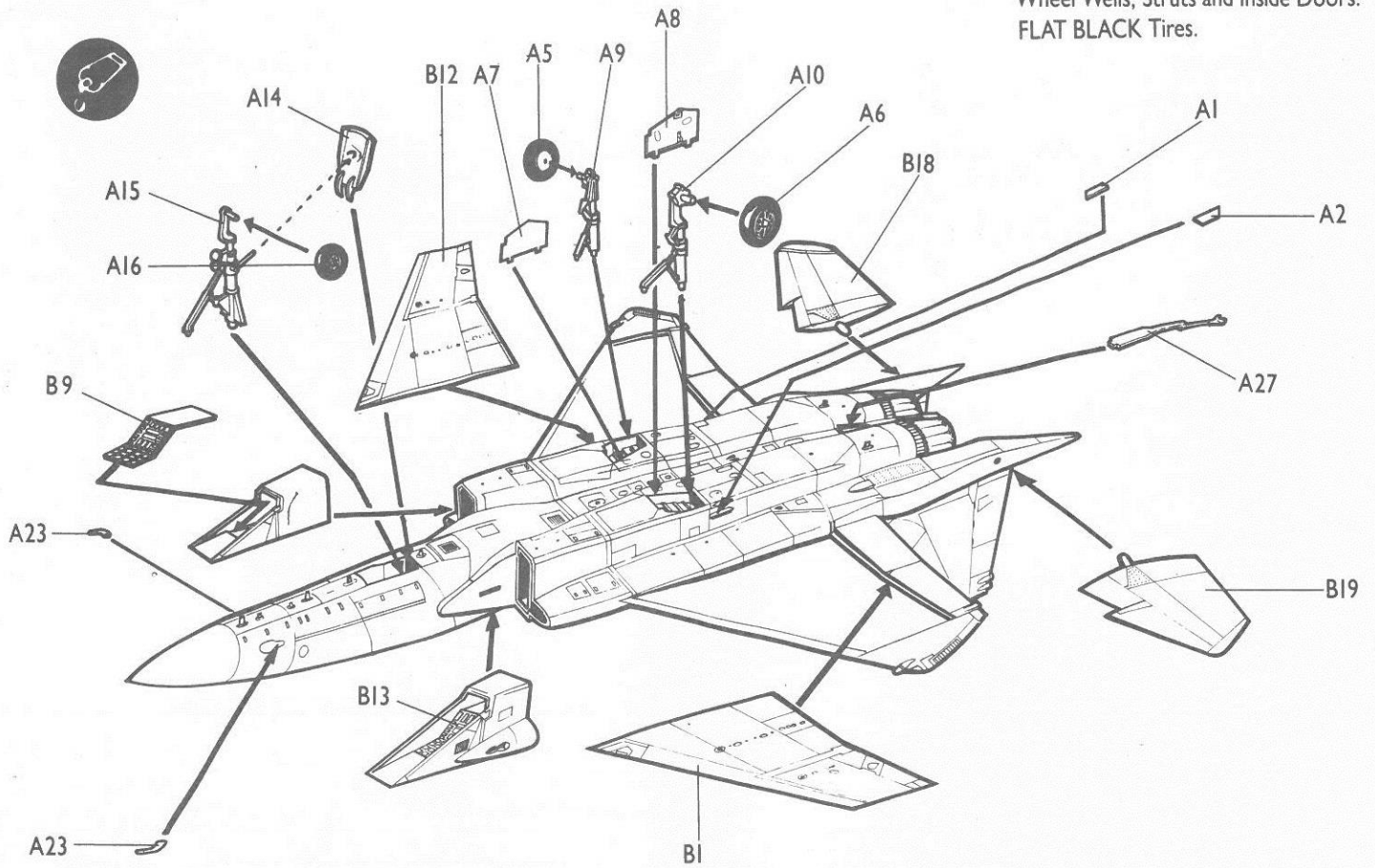
### 5 INTAKE ASSEMBLIES



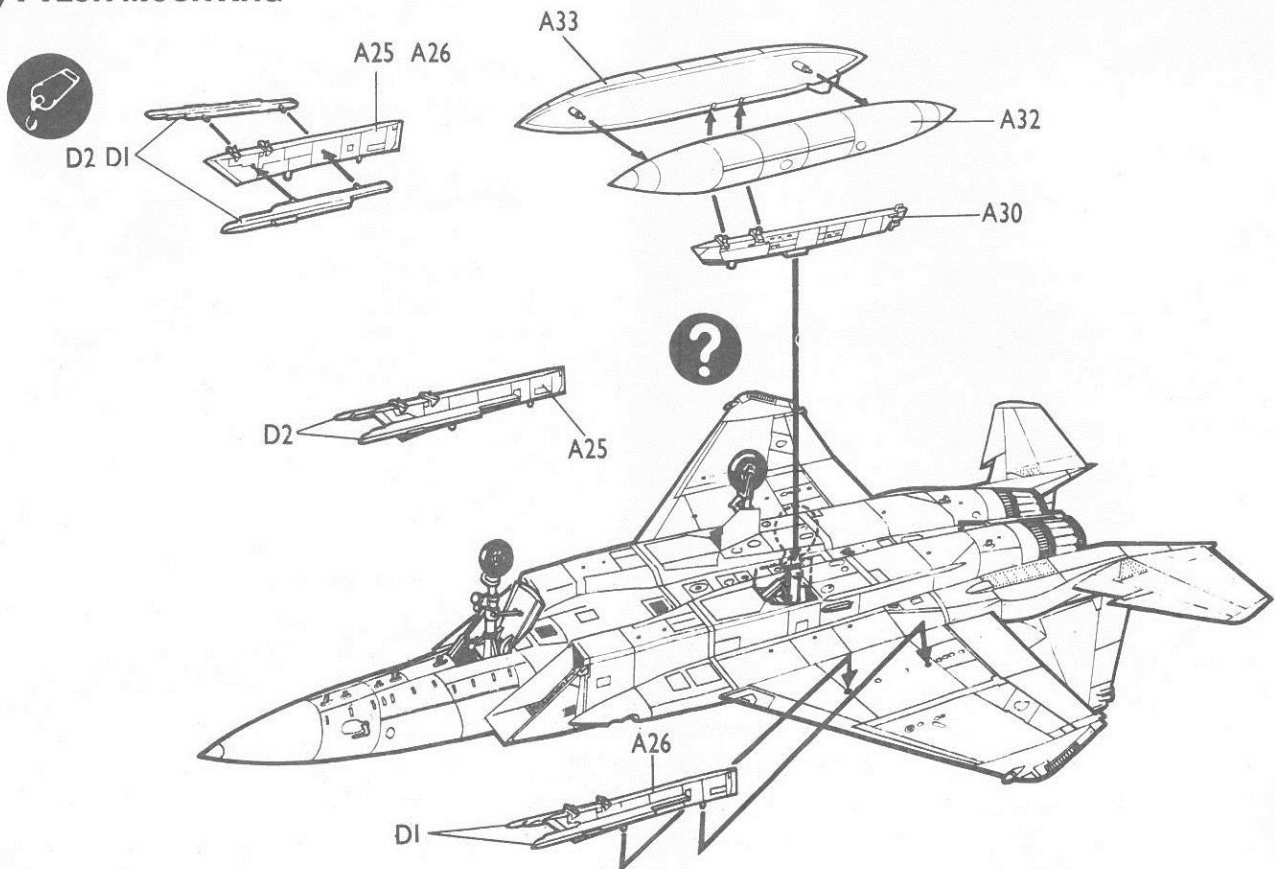


## 6 MAIN LOWER ASSEMBLY

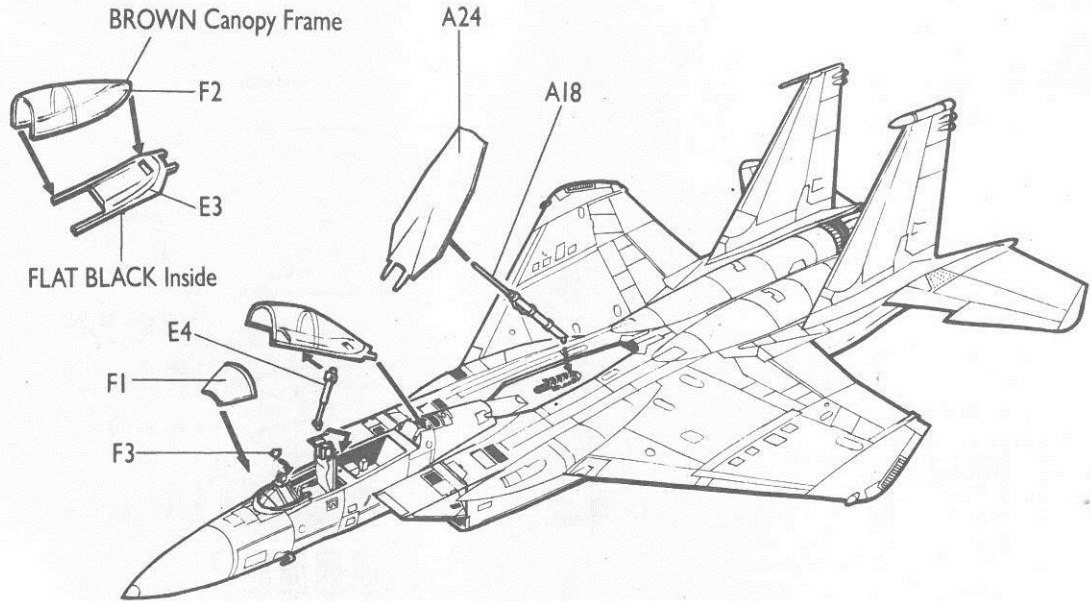
GLOSS WHITE Wheels,  
Wheel Wells, Struts and Inside Doors.  
FLAT BLACK Tires.



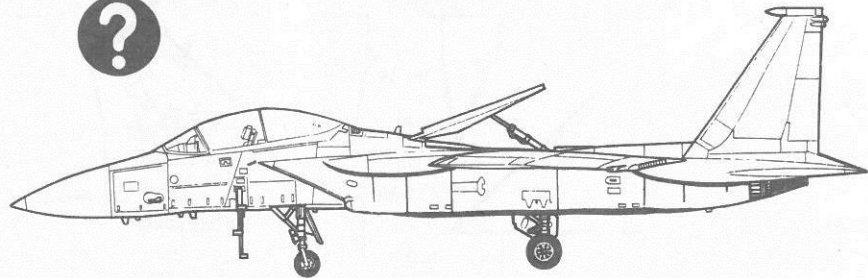
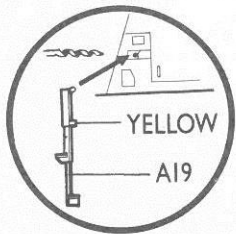
## 7 PYLON MOUNTING



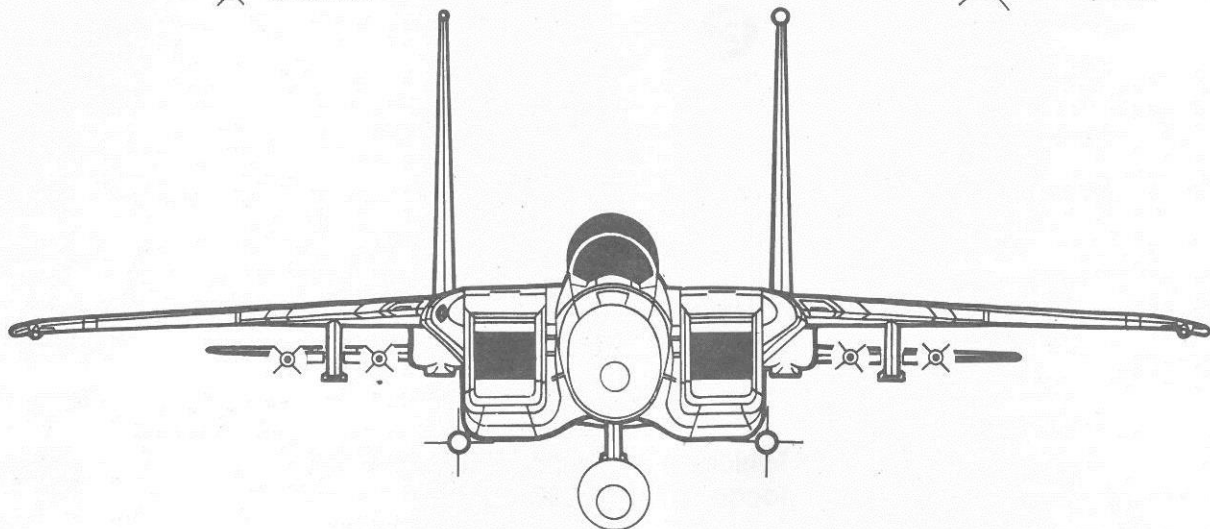
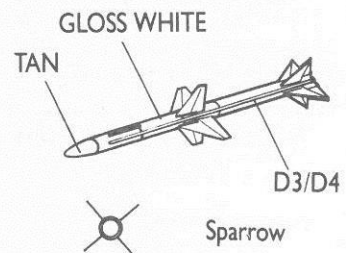
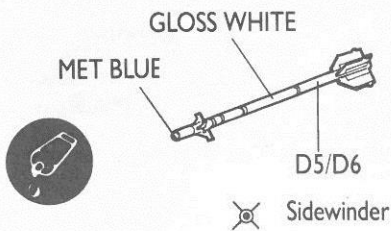
## 8 CANOPY INSTALLATION



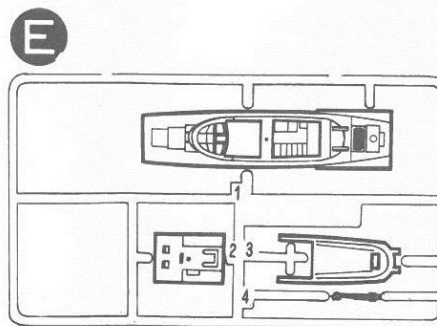
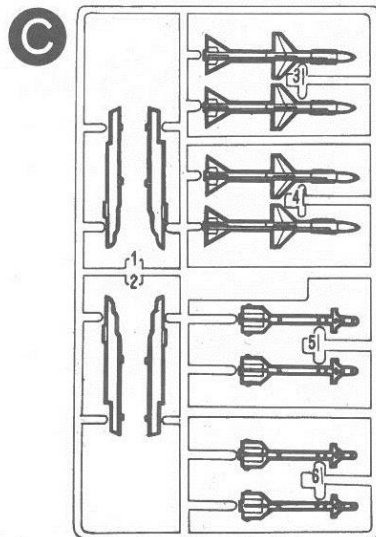
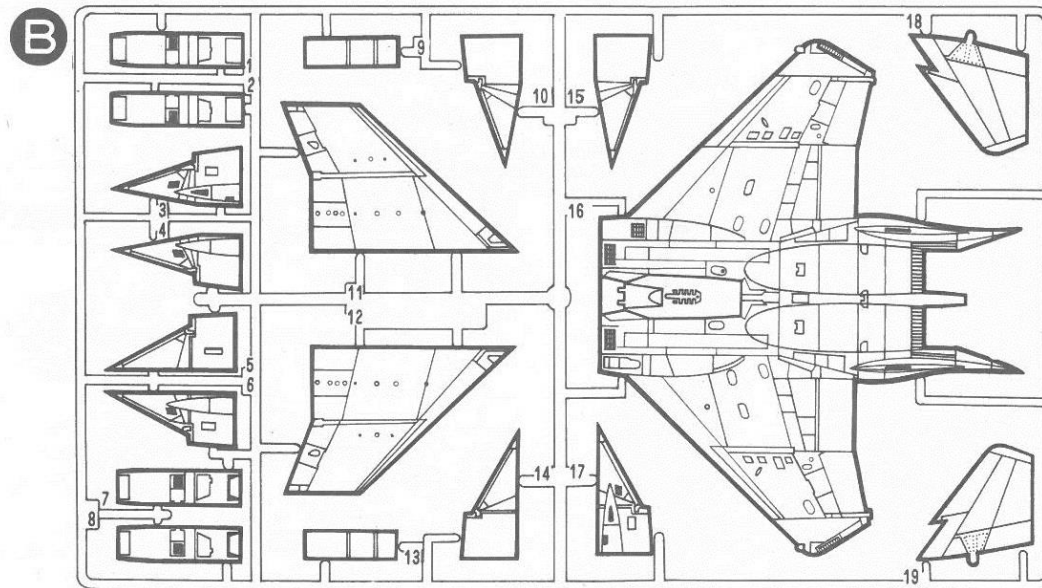
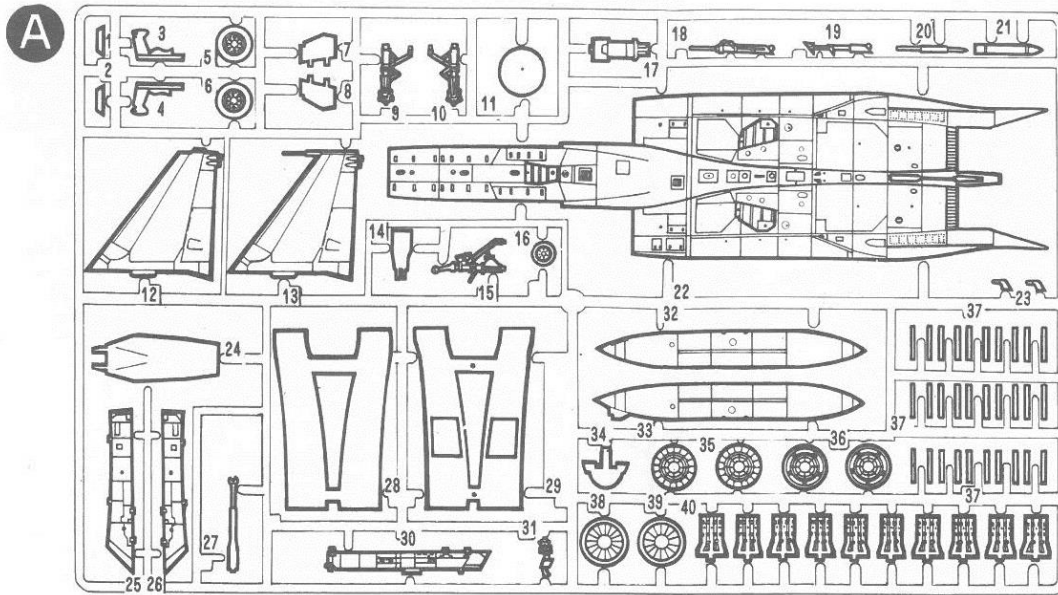
## 9 LADDER MOUNTING



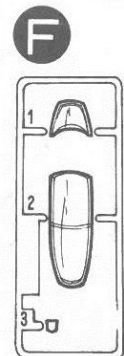
## 10 ARMAMENT LOCATION



# PARTS LOCATING DIAGRAM



**ACADEMY  
MINICRAFT  
MODEL KITS**



Minicraft Models Inc. 1510 W. 228th St.  
Torrance, Calif. 90501

2108

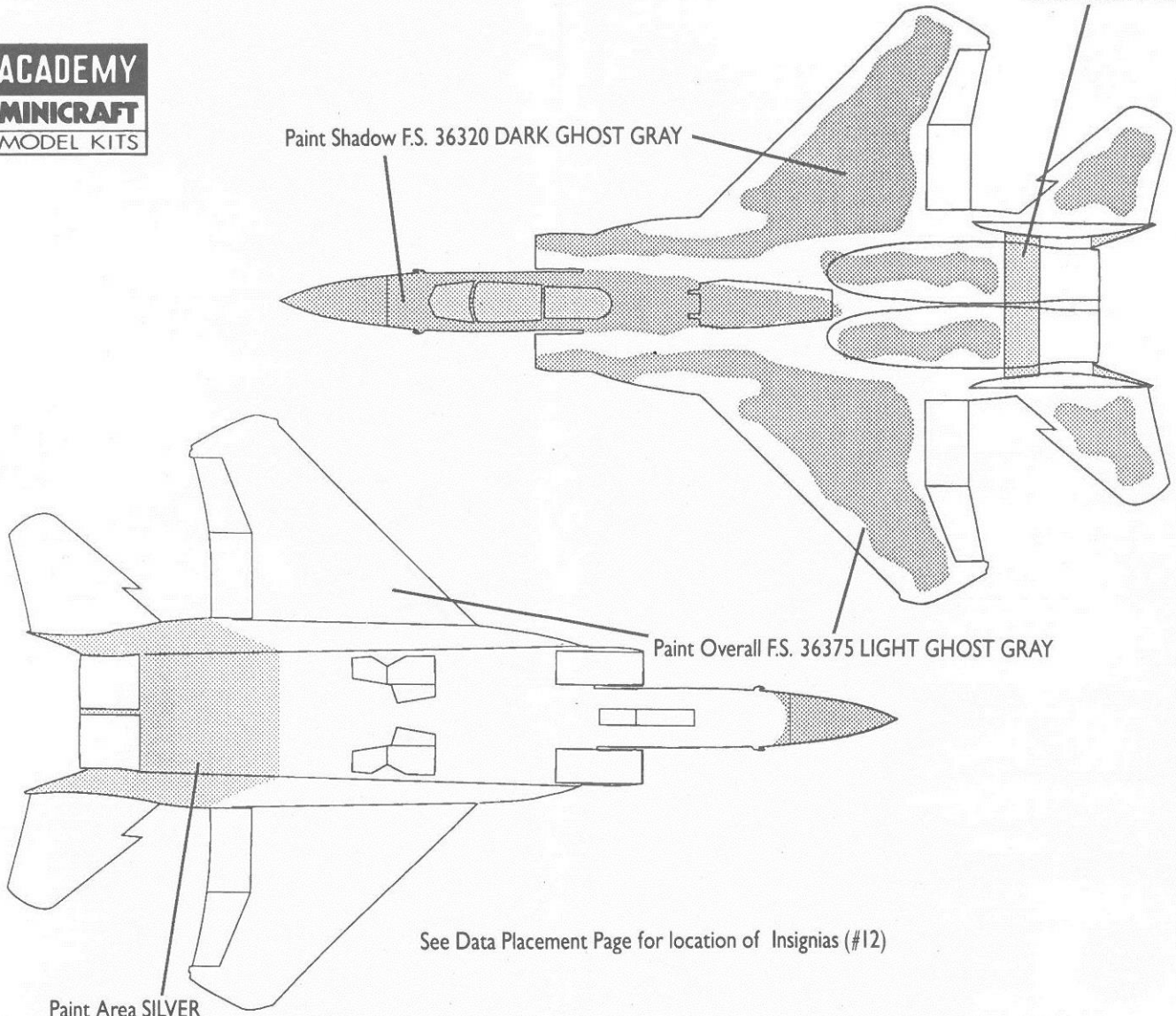


# PAINING AND DECAL PLACEMENT

**ACADEMY**  
**MINICRAFT**  
MODEL KITS

Paint Shadow F.S. 36320 DARK GHOST GRAY

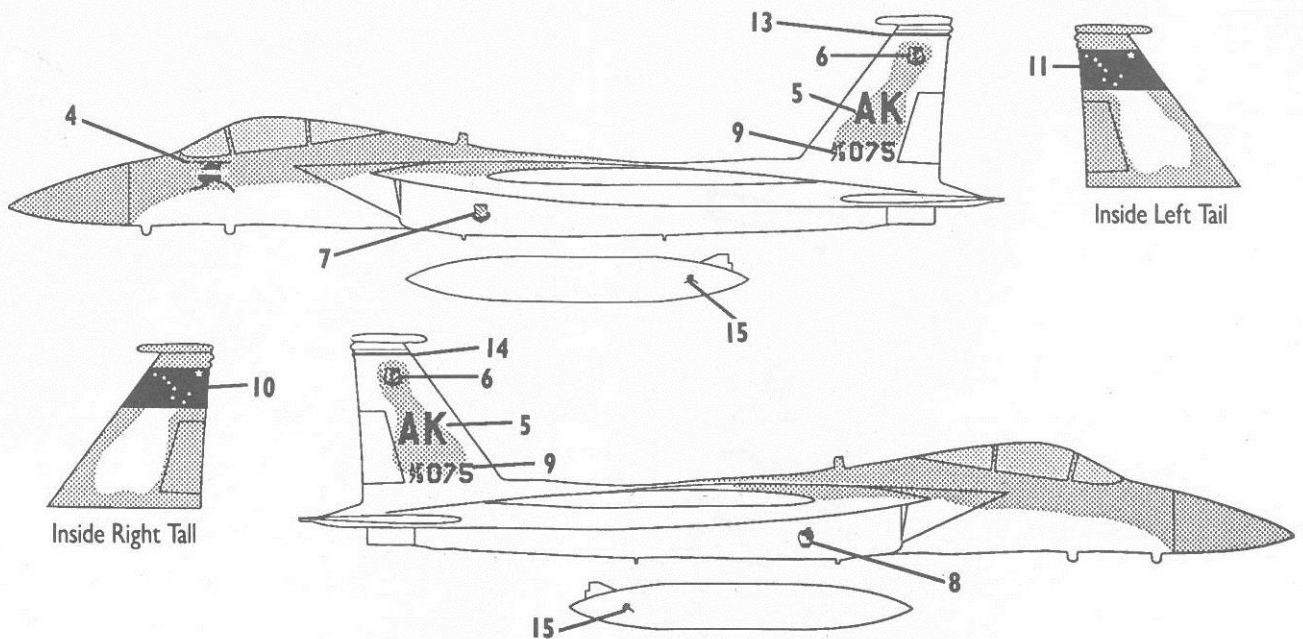
Paint Area SILVER



Paint Overall F.S. 36375 LIGHT GHOST GRAY

See Data Placement Page for location of Insignias (#12)

Paint Area SILVER



# Location of data decals on the F-15

In case of multiple letters, (Mor XX, for example) the first letter 'designates' markings for the ground attack (dark gray) scheme, the second letters indicate the markings for the Ghost Gray scheme  
 Where no choice is given, the decal is common to both schemes.

