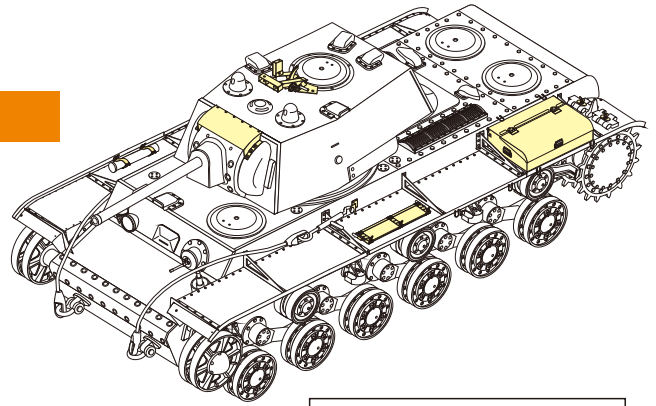


1/35 MILITARY MINIATURE VEHICLE UPGRADE SERIES PE351094

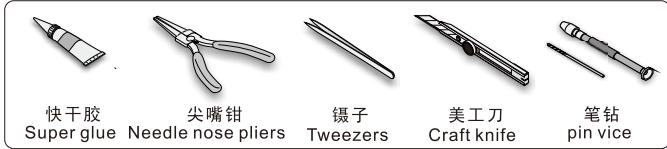
# WWII Russia KV-1 Mod.1941 Basic

## 二战苏联KV-1 1941型重型坦克基本改造件

[For TAMIYA 35372]



■ 推荐使用工具 RECOMMENDED TOOLS

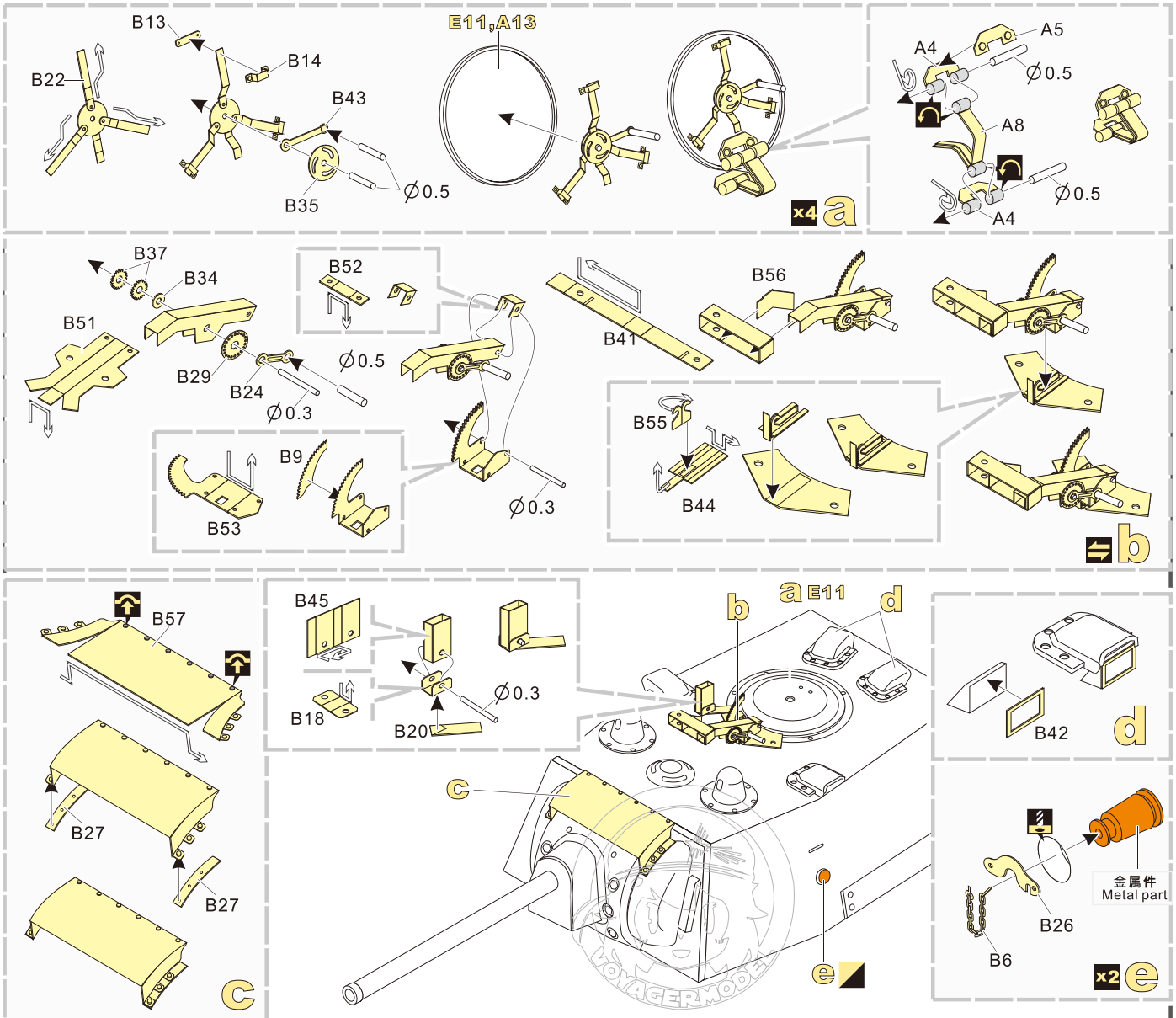


快干胶 Super glue    尖嘴钳 Needle nose pliers    镊子 Tweezers    美工刀 Craft knife    笔钻 pin vice

- ↑ 安装  
install
- ↙ 折叠  
bend
- A1**  
改造件零件编号  
PE/resin part number
- B12**  
原零件编号  
kit part number
- C22**  
被替换的原零件编号  
replaced kit part number
- 另一侧相同制作  
repeat on opposite side
- 切除  
remove
- 打磨  
grind off
- 弧度卷曲  
radial bending
- x2**  
制作若干组  
multiple assembly
- 选择安装  
alternative
- 钻孔  
drill
- 用胶棒制作  
make from plastic rod

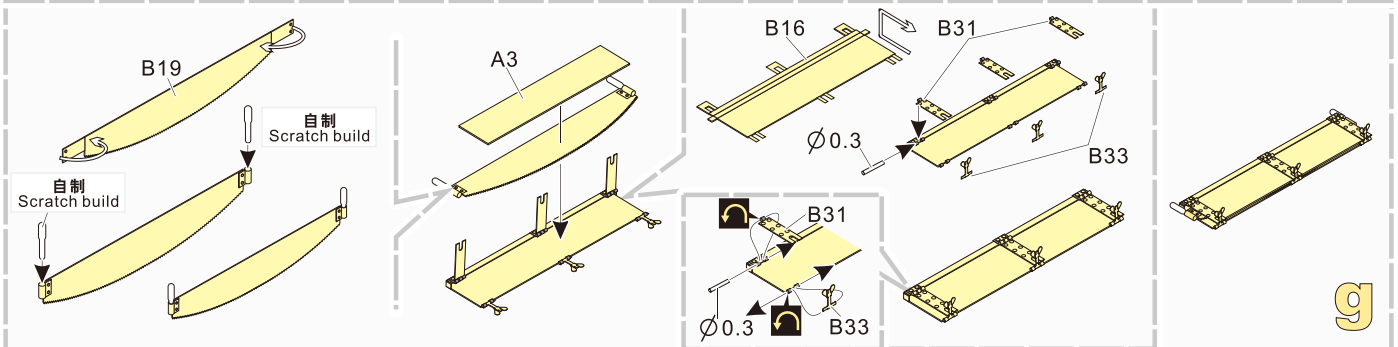
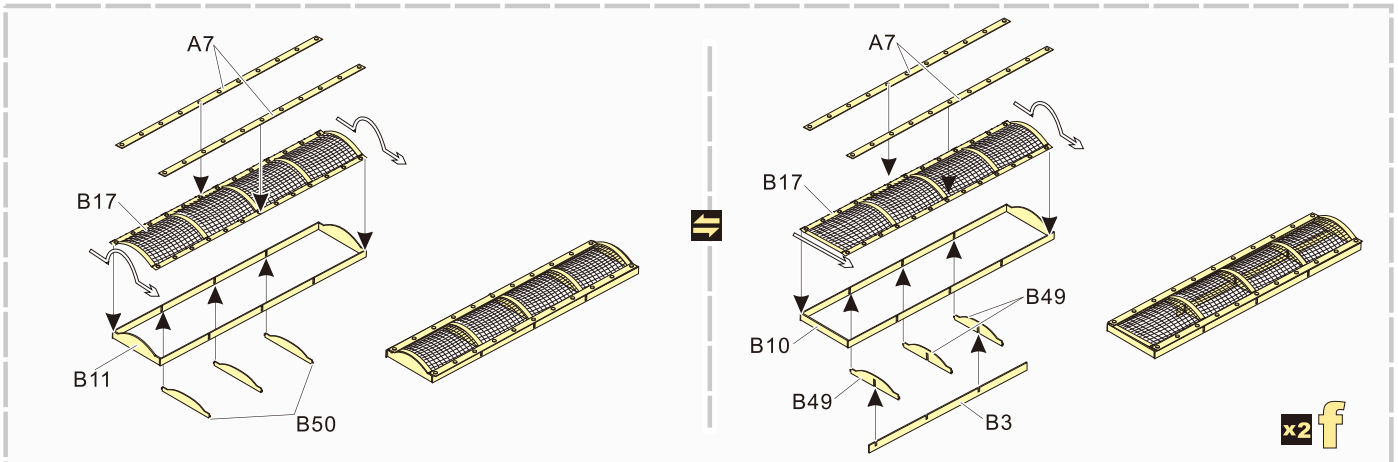
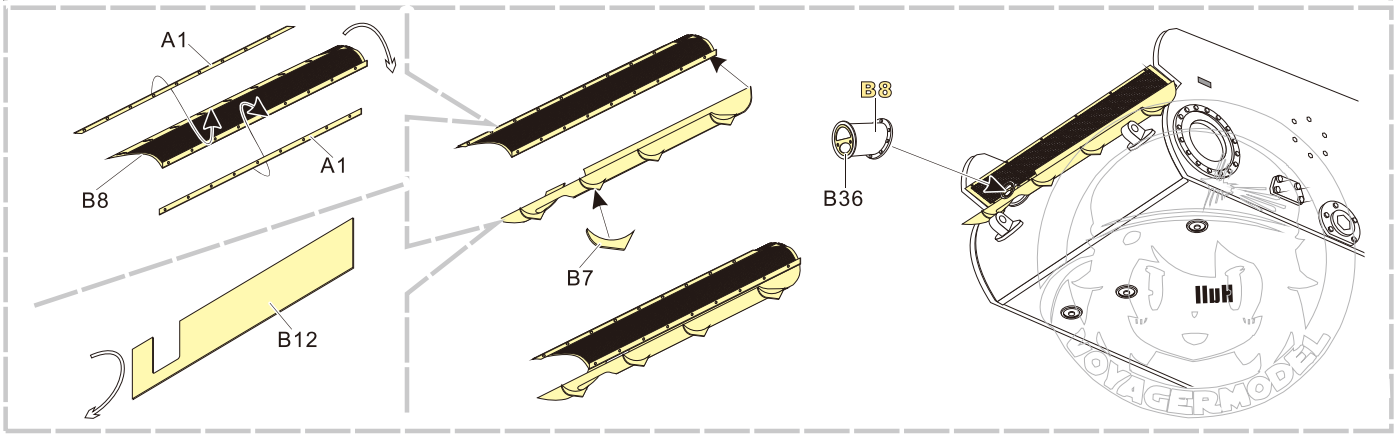
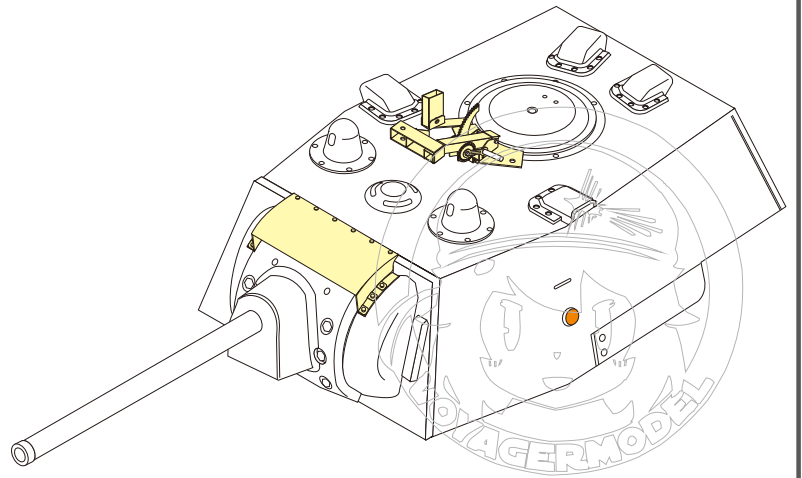
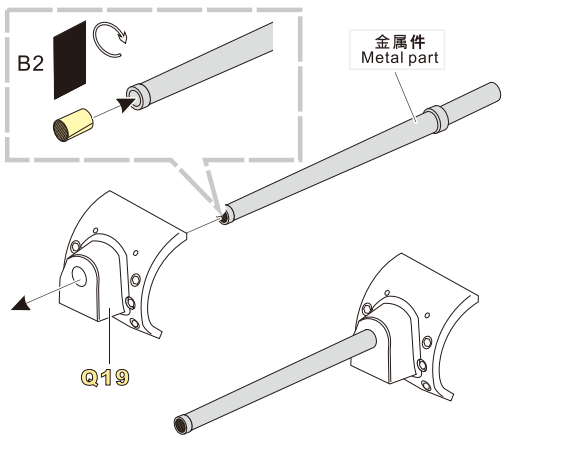
用尖端在凹槽处冲压  
use penpoint to press on the dent

蚀刻片零件内侧面向上  
Put the part upside down  
用笔尖在凹槽处  
Use penpoint to press on the dent

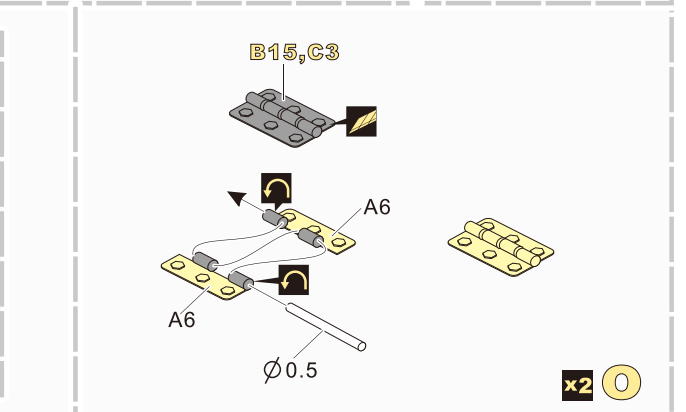
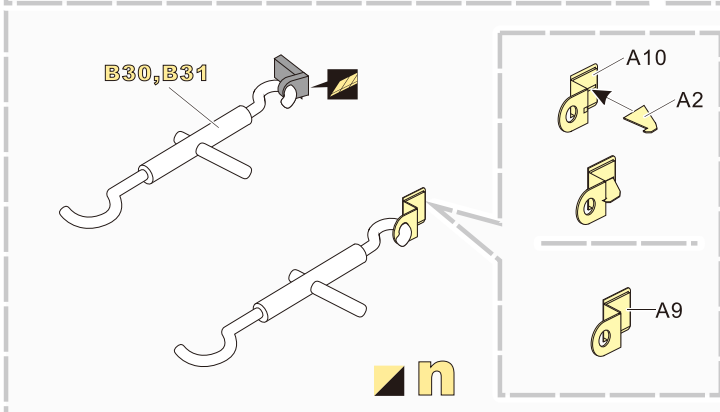
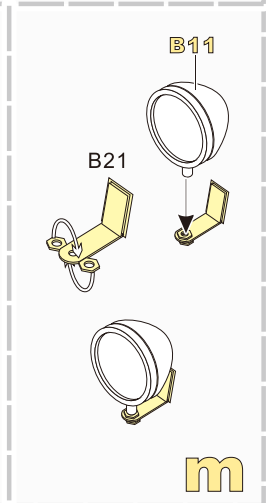
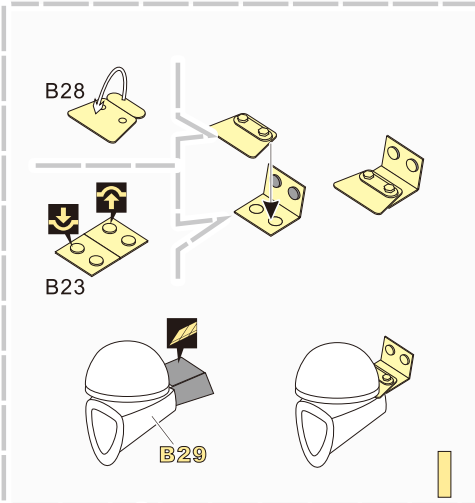
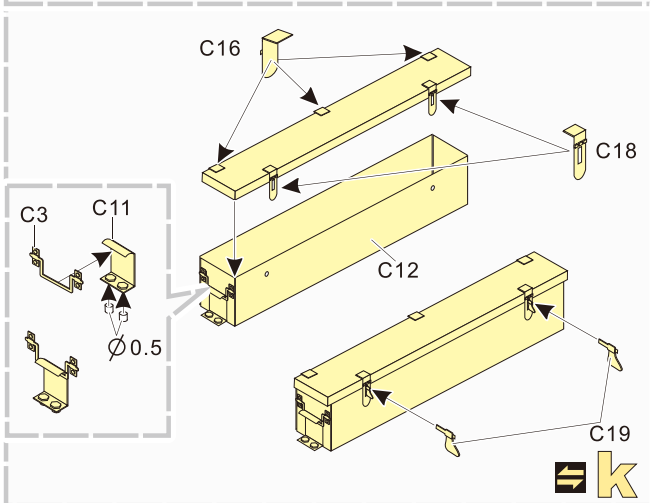
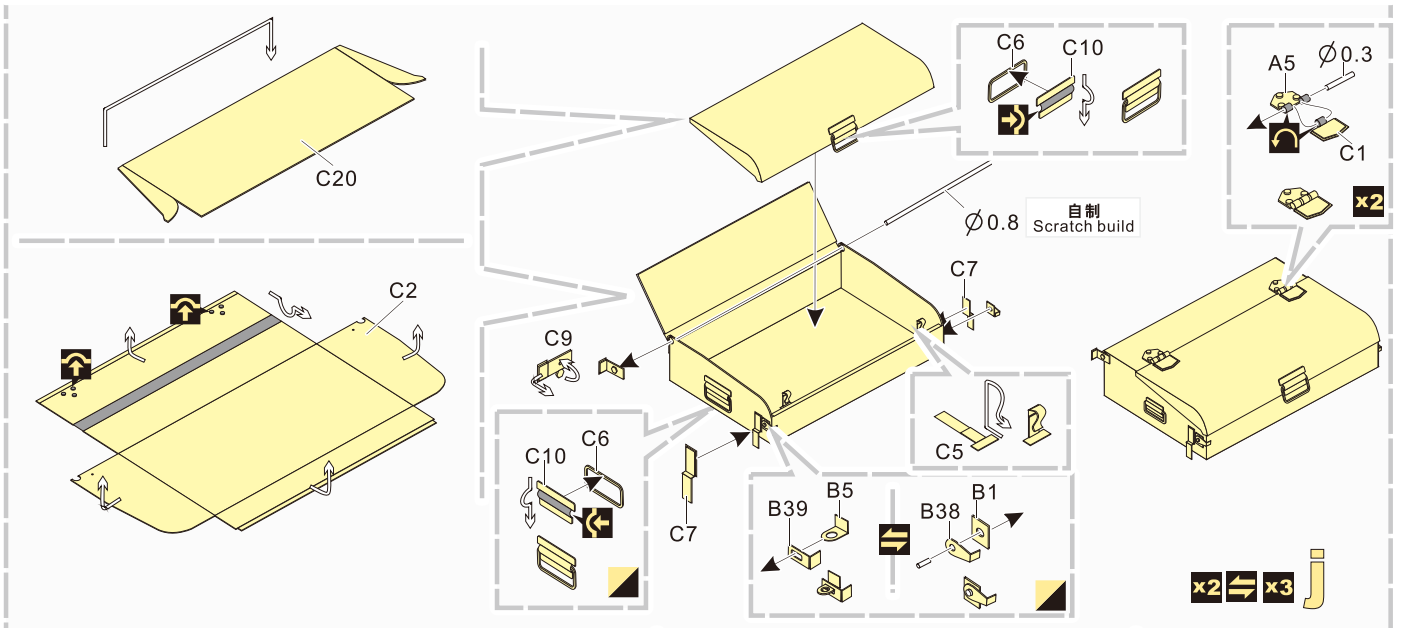
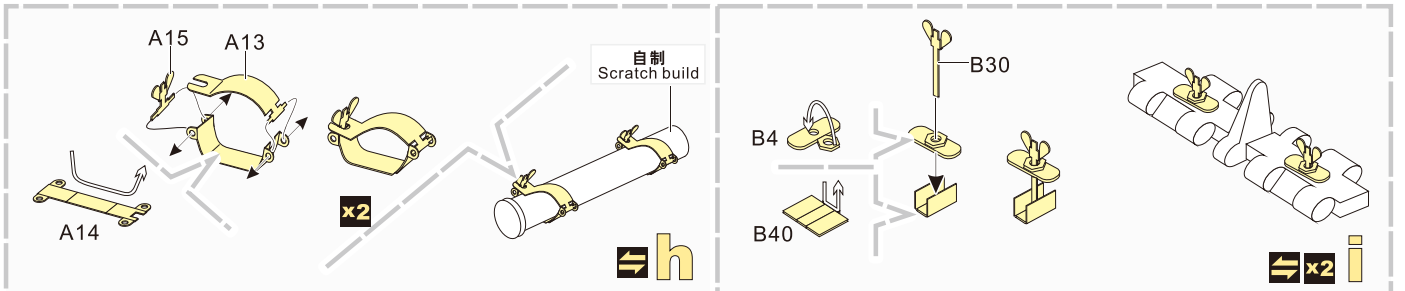


1/35 MILITARY MINIATURE VEHICLE UPGRADE SERIES PE351094

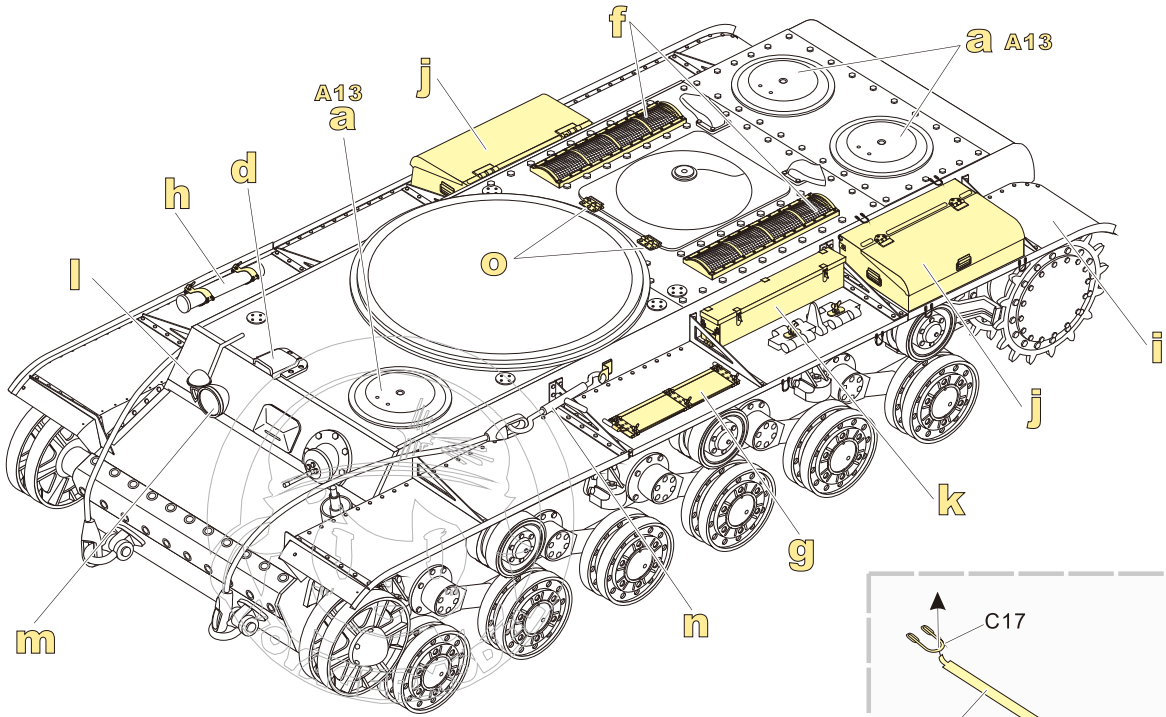
**THE STEPS IN THE BLACK BOX APPLY FOR P<sub>6</sub>351094 B VERSION**  
**黑框内的步骤仅适用于PE351094 B版本**



1/35 MILITARY MINIATURE VEHICLE UPGRADE SERIES PE351094



1/35 MILITARY MINIATURE VEHICLE UPGRADE SERIES PE351094



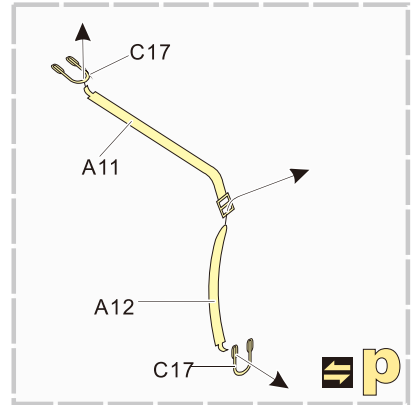
<http://www.voyagermodel.com/productdetails.asp?itemid=PE351094>



**VOYAGER  
MODEL**

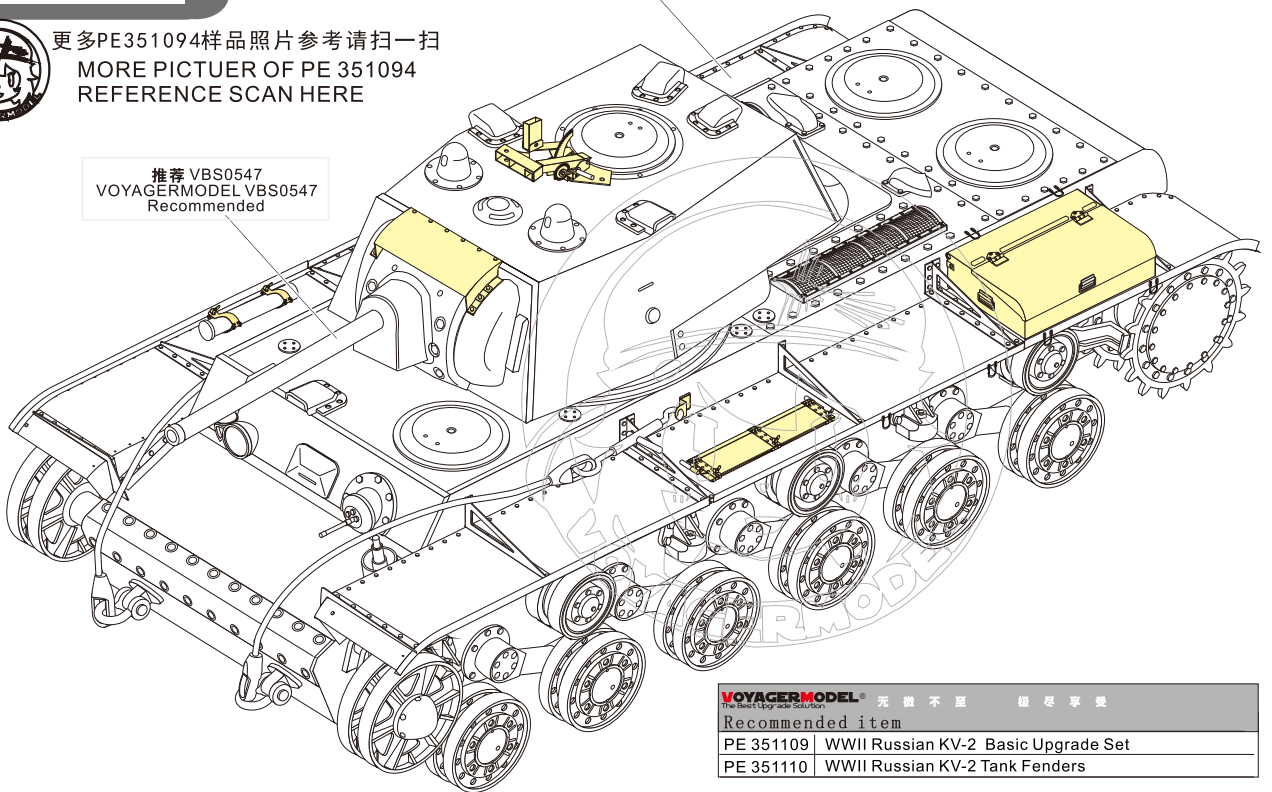


推荐 PE 351095  
VOYAGERMODEL PE 351095  
Recommended



更多PE351094样品照片参考请扫一扫  
MORE PICTUER OF PE 351094  
REFERENCE SCAN HERE

推荐 VBS0547  
VOYAGERMODEL VBS0547  
Recommended



**VOYAGERMODEL**<sup>®</sup> 无微不至 精益求精

Recommended item

PE 351109 | WWII Russian KV-2 Basic Upgrade Set  
PE 351110 | WWII Russian KV-2 Tank Fenders