

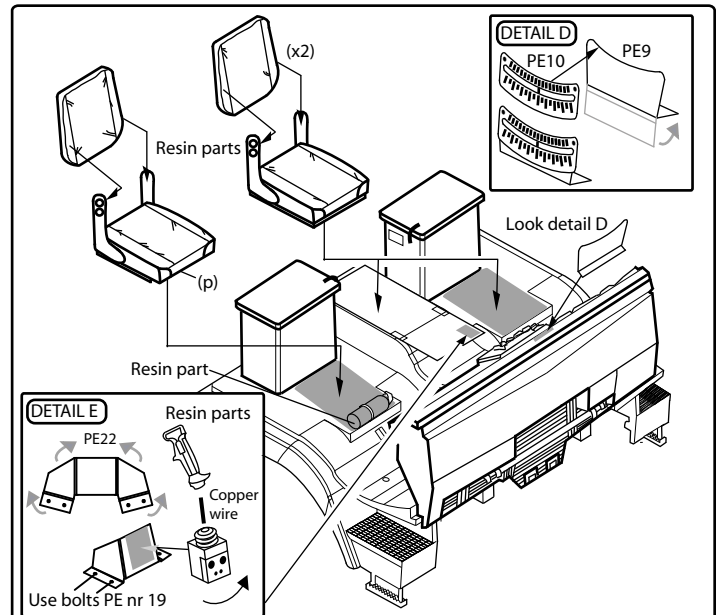
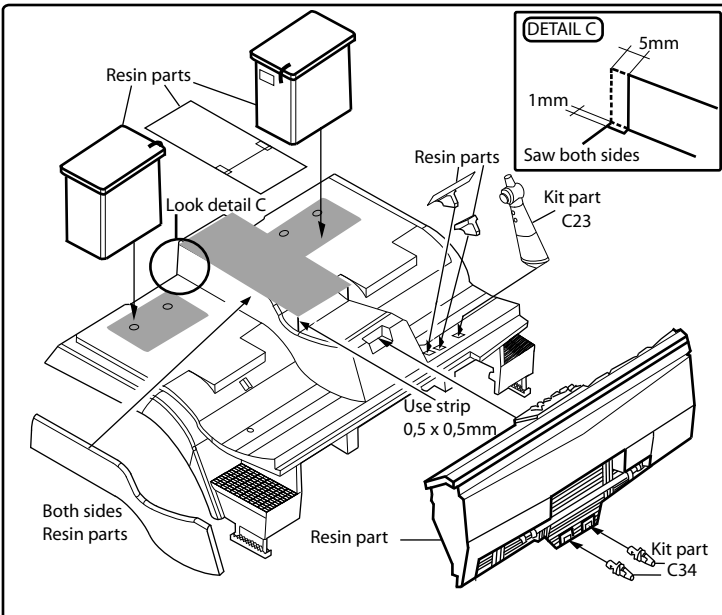
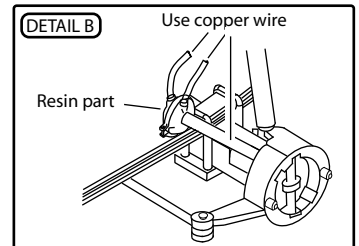
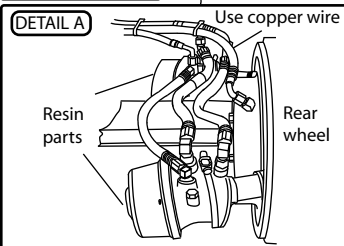
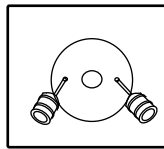
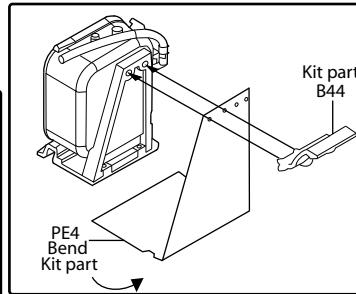
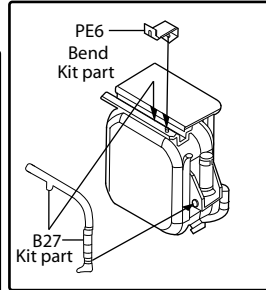
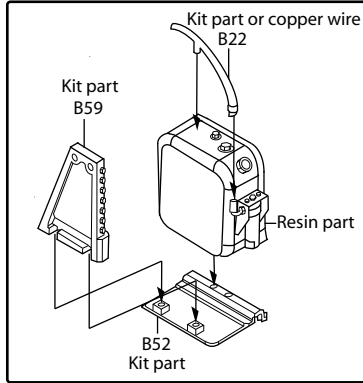


Upgrade detail set for M1078 Light Medium Tactical Vehicle (LMTV) Standard Cargo Truck

PAU-35031 Scale 1:35 Recommended kit: Trumpeter M1078 LMTV (item 01004)
Resin parts use razor saw to remove parts from their carrier. Reference : book WWP nr G021

PRO ART MODELS
designed and
produced in Belgium

NOTE : Look on our site for more additional sets
PAU -35030 Realistic sagged tyres for M1078



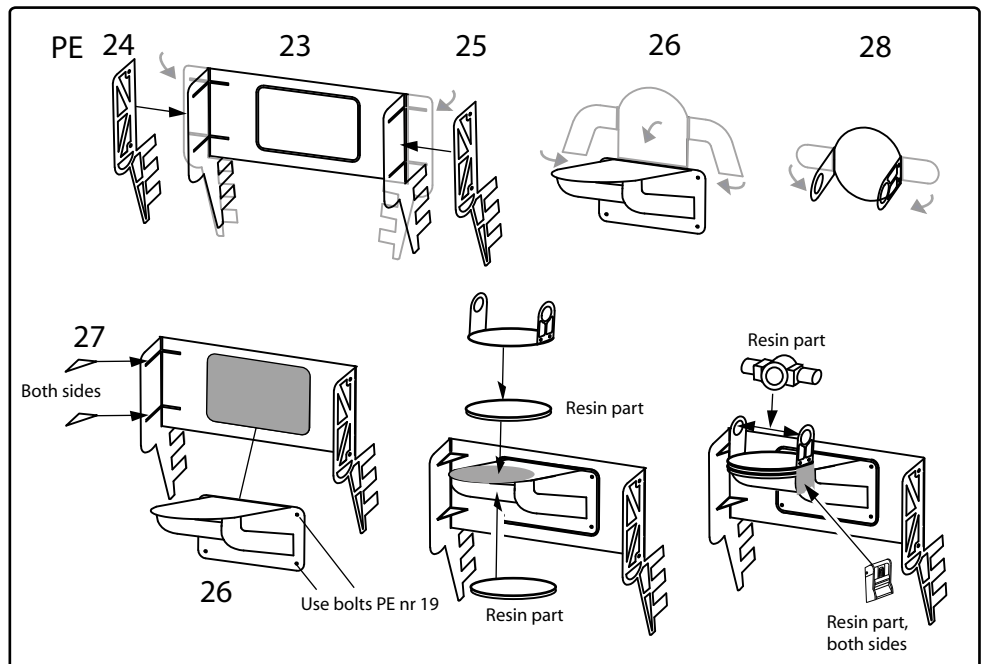
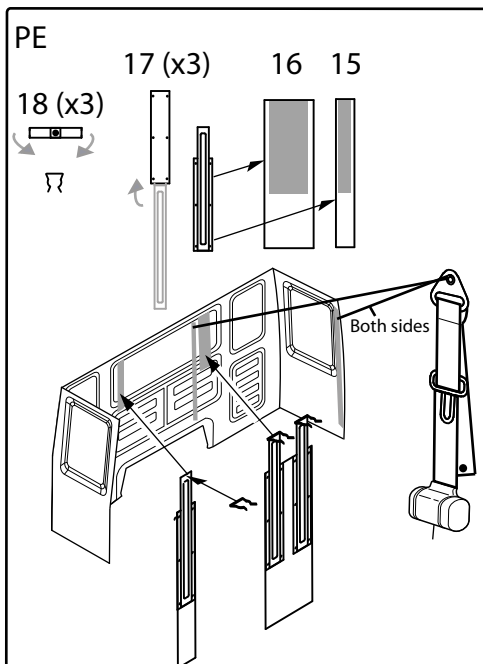
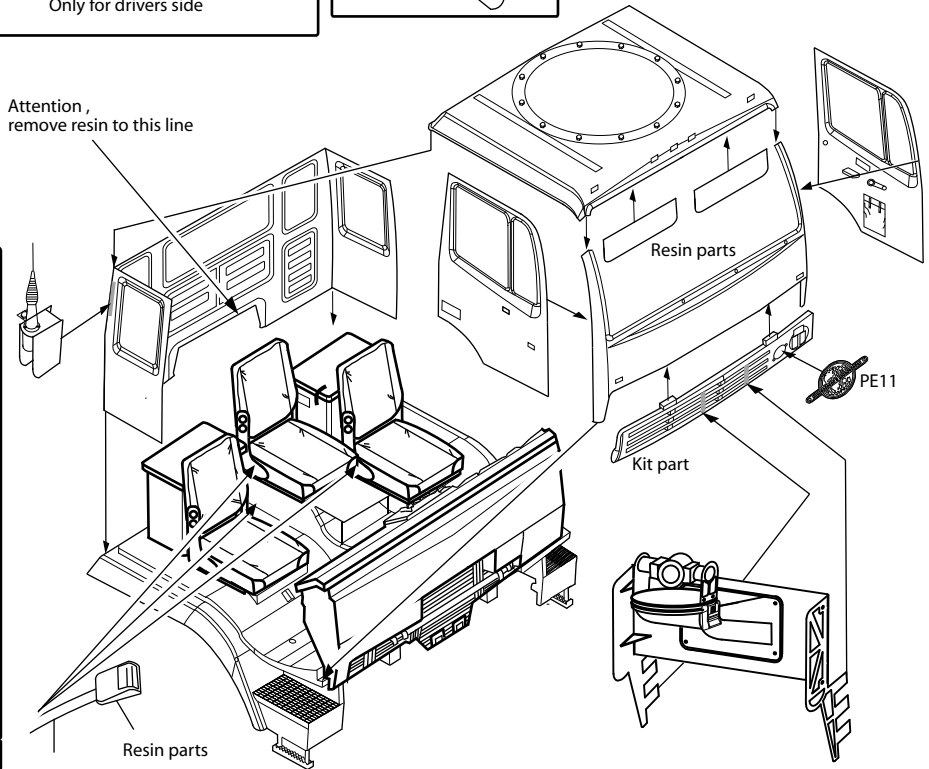
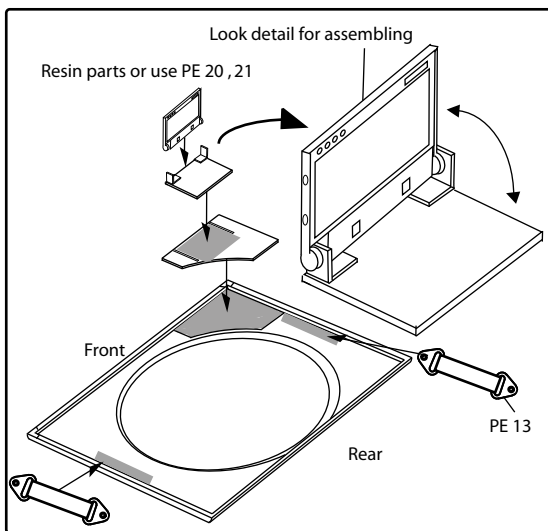
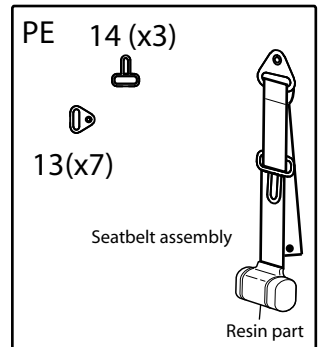
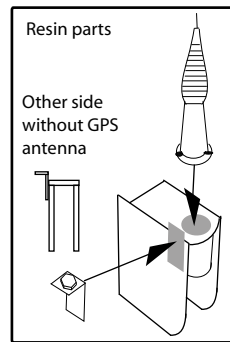
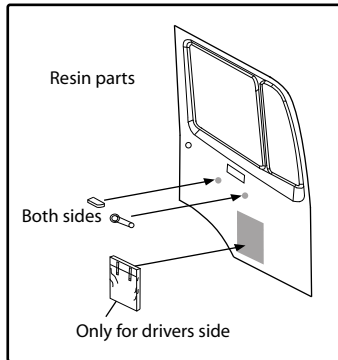
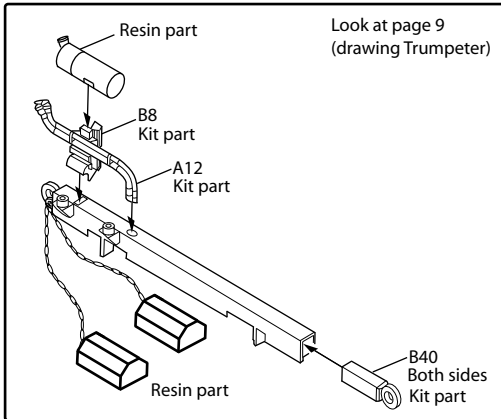


PRO ART MODELS
designed and
produced in Belgium

Upgrade detail set for M1078 Light Medium Tactical Vehicle (LMTV) Standard Cargo Truck

PAU-35031 Scale 1:35 Recommended kit: Trumpeter M1078 LMTV (item 01004)

resin parts use razor saw to remove parts from their carrier





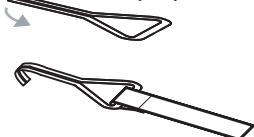
Upgrade detail set for M1078 Light Medium Tactical Vehicle (LMTV) Standard Cargo Truck

PAU-35031 Scale 1:35 Recommended kit: Trumpeter M1078 LMTV (item 01004)

resin parts use razor saw to remove parts from their carrier

PRO ART MODELS
designed and
produced in Belgium

PE
30 (x2)



Can be used as hook for belt

