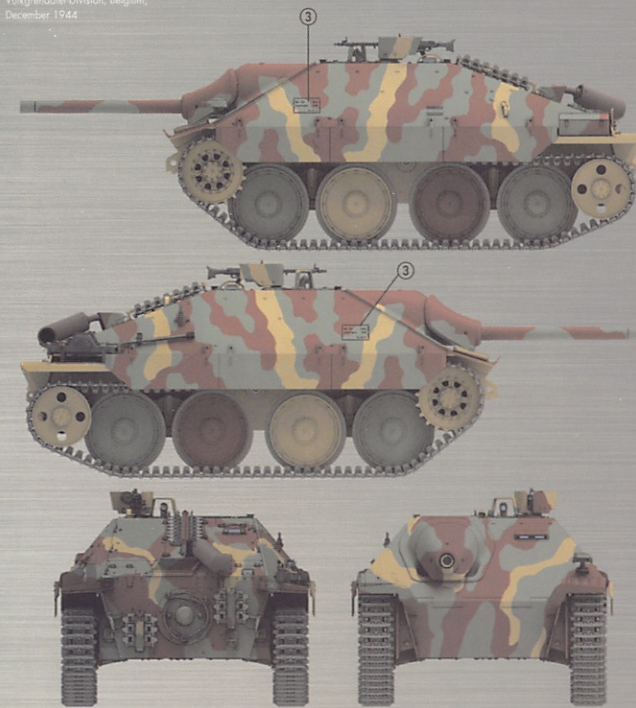




# Jagdpanzer 38(t) Hetzer

LATE PRODUCTION

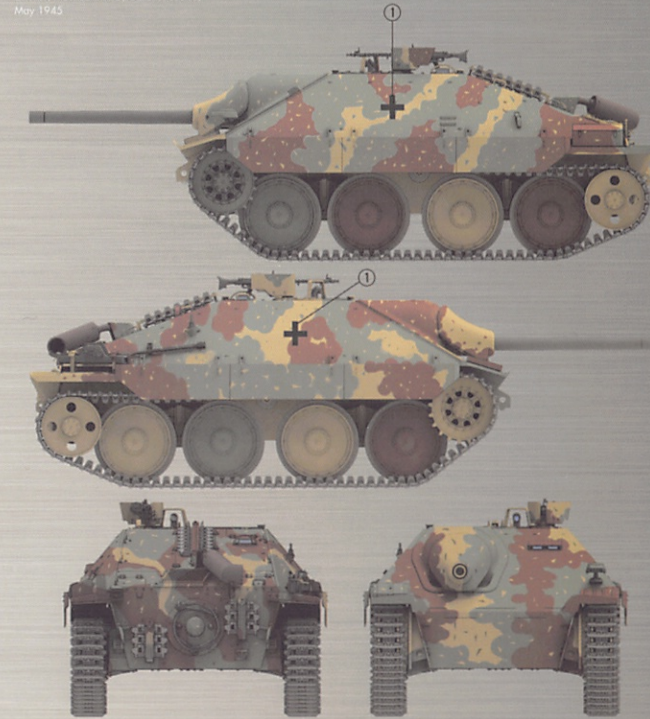
Painting and Marking Guide  
 TAKOM N°: 2172  
 Panzerjäger-Kompanie 1179, 257  
 Volksgrenadier-Division, Belgium,  
 December 1944



# Jagdpanzer 38(t) Hetzer

LATE PRODUCTION

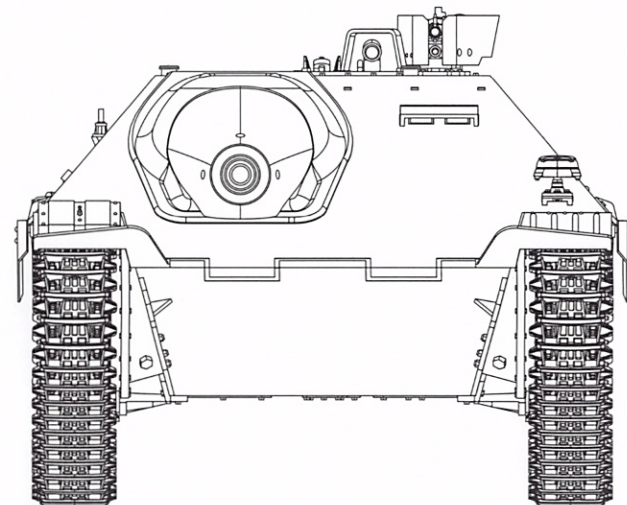
Painting and Marking Guide  
 TAKOM N°: 2172  
 Beloves, Náchod District, Czechoslovakia,  
 May 1945



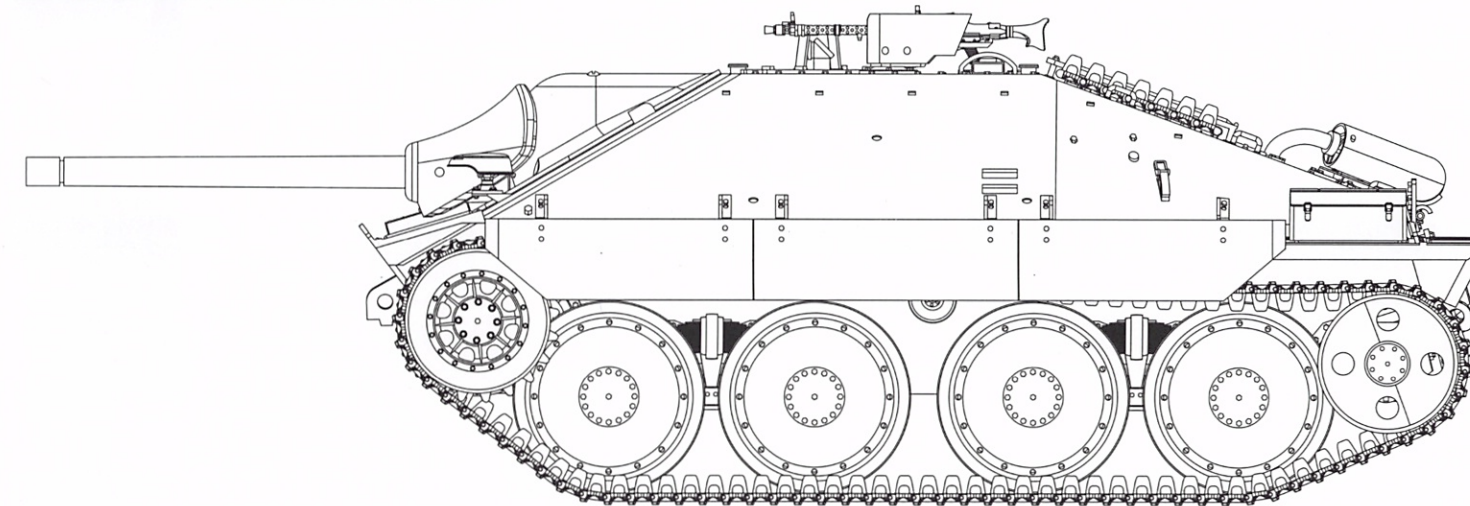
2023/2172

# Jagdpanzer 38(t) Hetzer FULL INTERIOR

LATE PRODUCTION



You can find TAKOM on Facebook.com



After the annexation of Czechoslovakia, Nazi Germany adopted the ČKD LT vz. 38 and modified the existing hull to create the 16-ton Jagdpanzer 38 (t), later known as the Hetzer. Designed to have a low profile, these tank hunters featured 60mm frontal armor sloped at 60 degrees and were ideal for ambush tactics. Operated by a four-man crew, they were armed with the powerful high velocity 75mm PaK 39 L/48 main gun, which could take out most enemy tanks. The secondary armament consisted of a top-mounted 7.92mm MG34 machine gun. The Hetzer was powered by a 158 hp Praga 6-cylinder AC/2000 water-cooled engine and 5 + 1 Praga-Wilson Typ CV transmission, which gave the vehicle a top speed of 26 mph (42 km/h) and operational range of up to 110 miles (180 km).

A total of 2,612 units were produced by the end of WWII, most of which were allocated to independent Heeres Panzerjäger Abteilungen (Army Tank Hunter Battalions). Some Hetzers were subsequently sent to Hungarian battalions and the Russian Liberation Army (ROK) towards the end of the war. After the war ended, 158 Swiss contract Škoda Jagdpanzer G13 tank hunters entered service with the Swiss army, where they served until 1970.

03.02.2172



# READ BEFORE ASSEMBLY

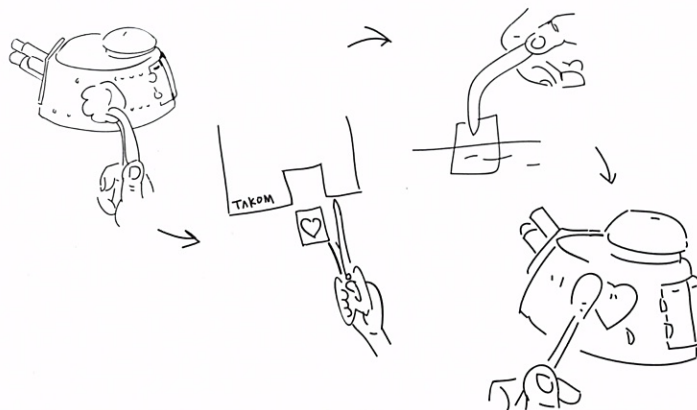
## CAUTION

- Read carefully and fully understand the instructions before commencing assembly. A supervising adult should also read the instructions if a child assembles the model.
- When assembling this kit, tools including knives used. Extra care should be taken to avoid personal injury.
- Keep out of reach of small children. Children must not be allowed to suck any part, or pull vinyl bag over their heads.

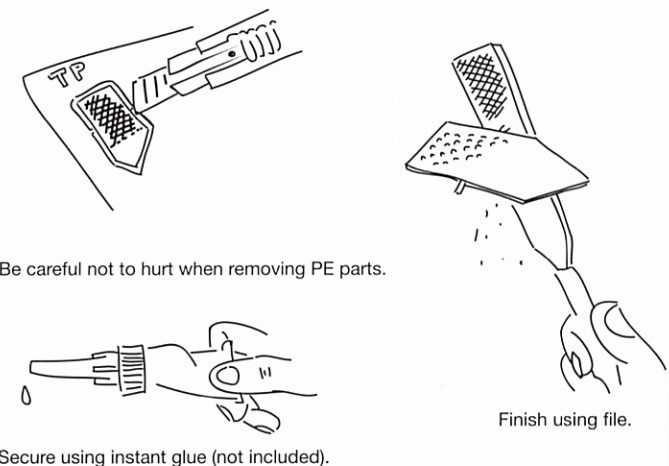


## APPLYING DECALS

1. Clean the model surface with a wet cloth.
2. Cut out each decal design from sheet, and dip it in tepid water for 15-20 sec.
3. Hold the backing sheet edge and slide decal onto the model.
4. Move decal into position by wetting decal with finger.
5. Press decal gently down with a soft cloth until excess water and air bubbles are gone.



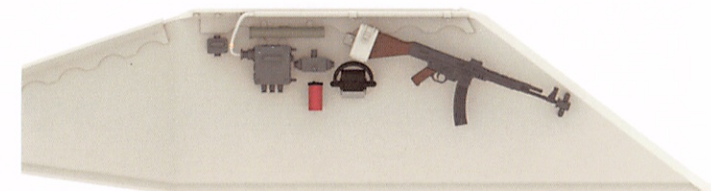
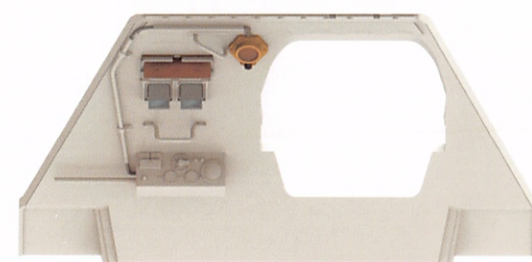
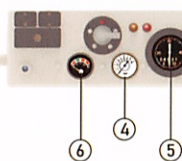
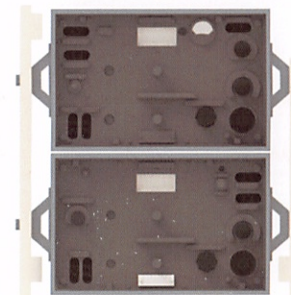
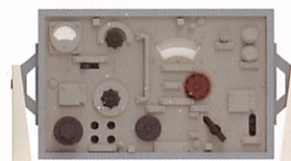
## REMOVING PE



Be careful not to hurt when removing PE parts.

Secure using instant glue (not included).

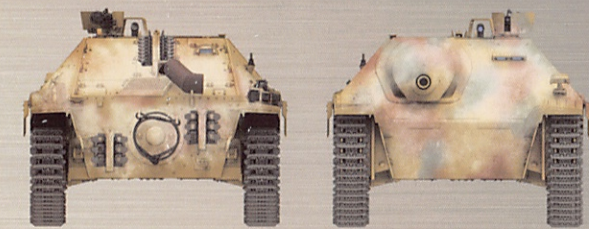
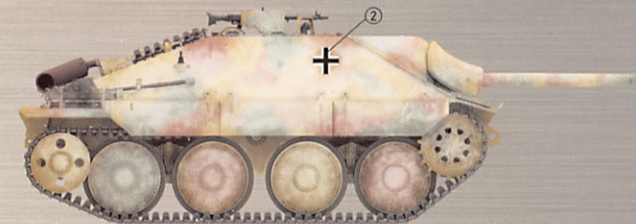
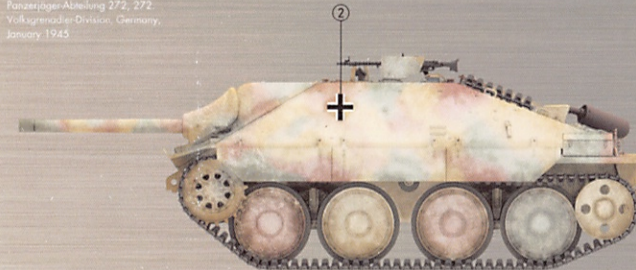
Finish using file.



# Jagdpanzer 38(t) Hetzer

LATE PRODUCTION

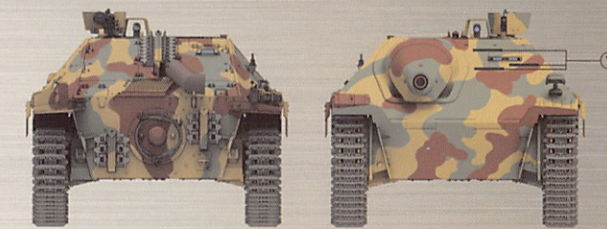
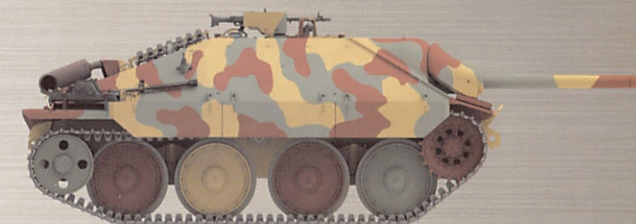
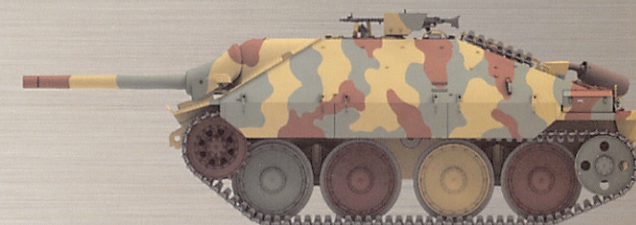
Painting and Marking Guide  
TAKOM N°: 2172  
Panzerjäger-Abteilung 272, 272  
Volksgranadier-Division, Germany,  
January 1945



# Jagdpanzer 38(t) Hetzer

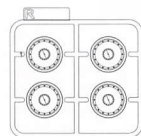
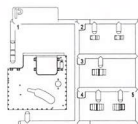
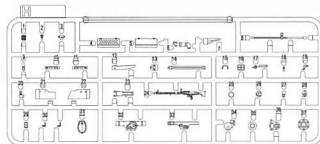
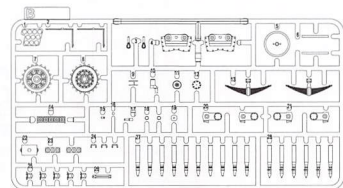
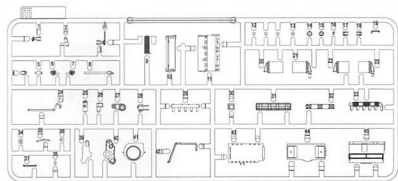
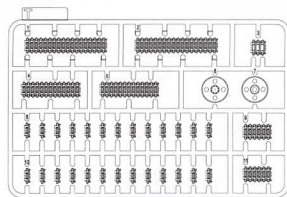
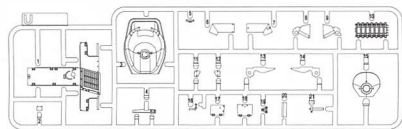
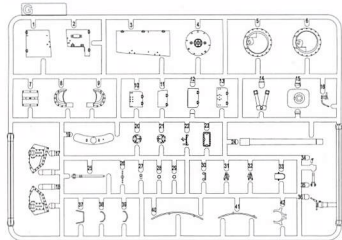
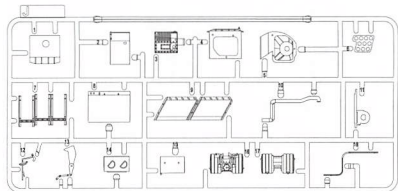
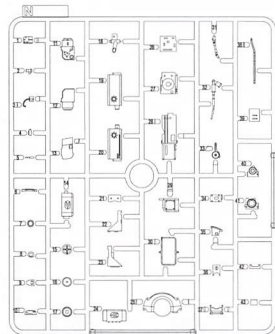
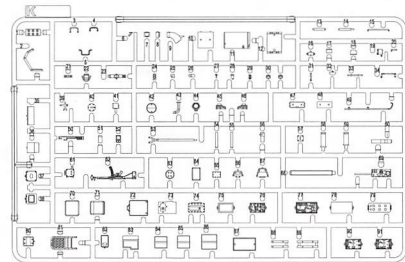
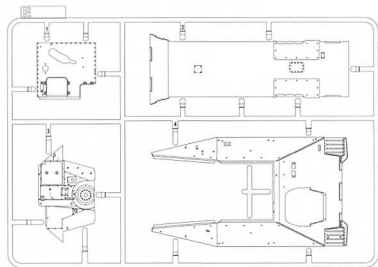
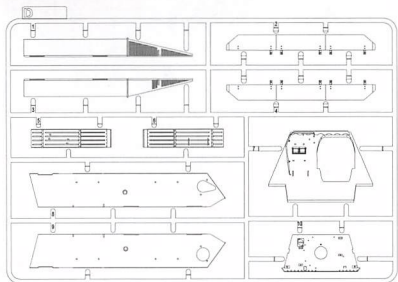
LATE PRODUCTION

Painting and Marking Guide  
TAKOM N°: 2172  
East Prussia, March 1945





# PARTS



X2



TP



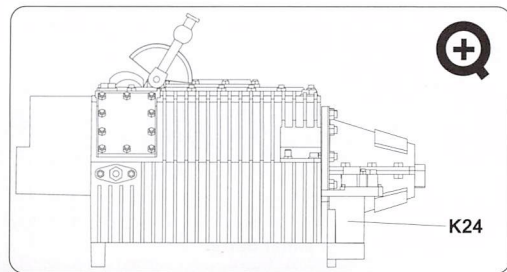
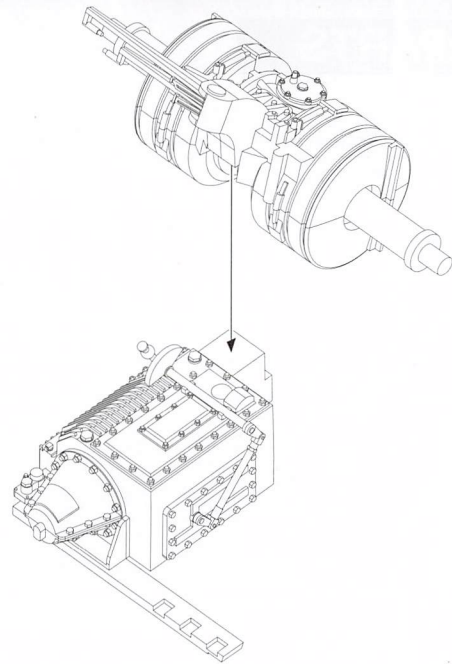
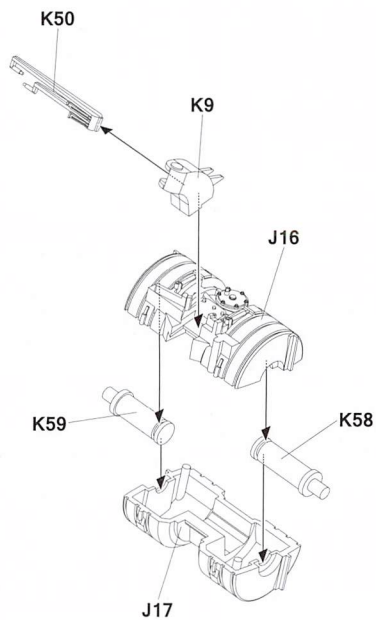
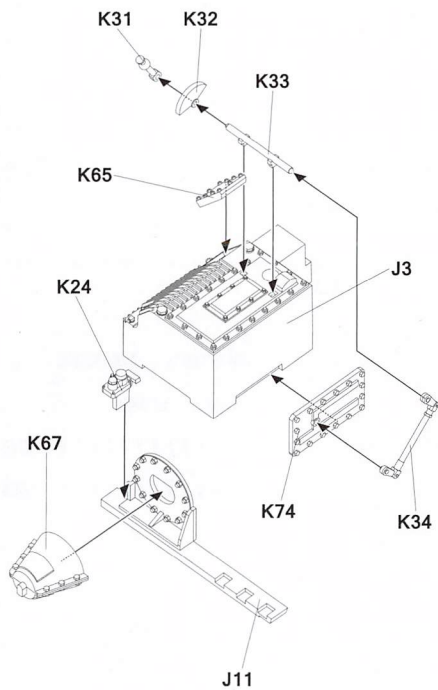
Decal

Cable

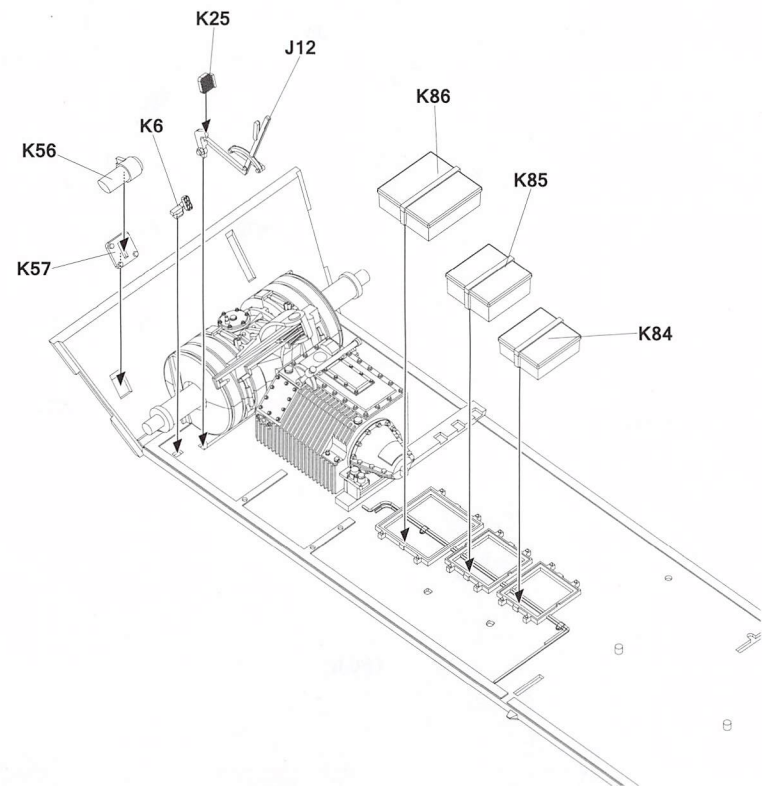
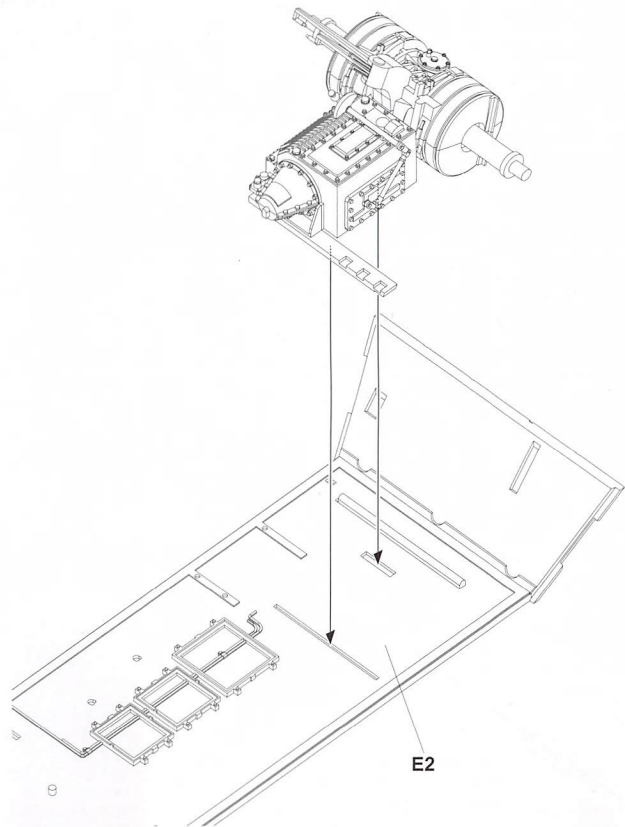
Metal Barrel

X2

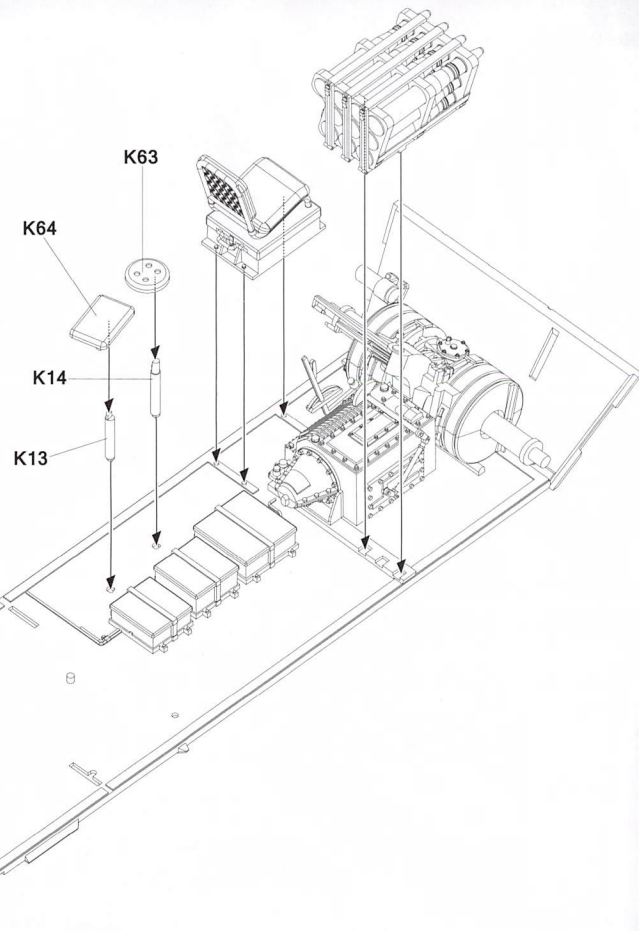
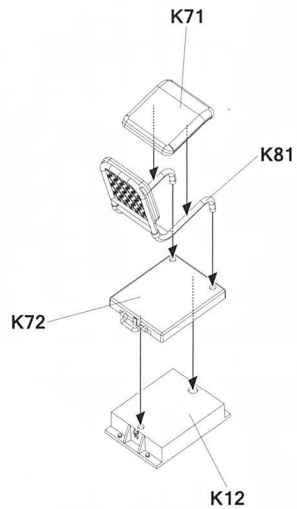
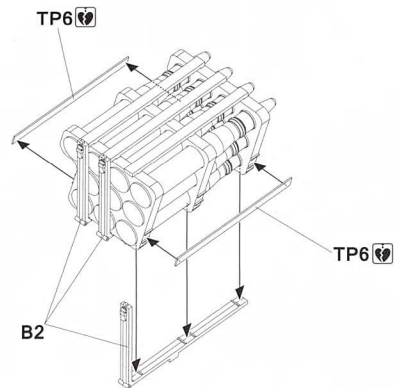
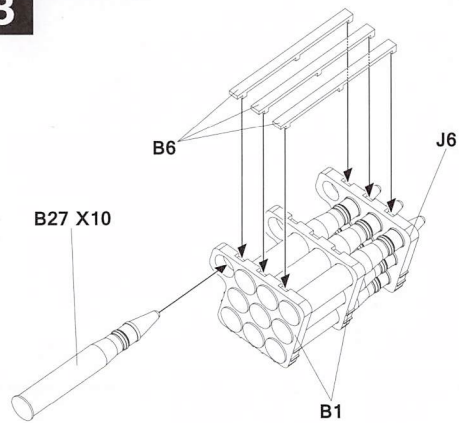
X2



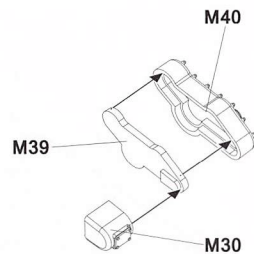
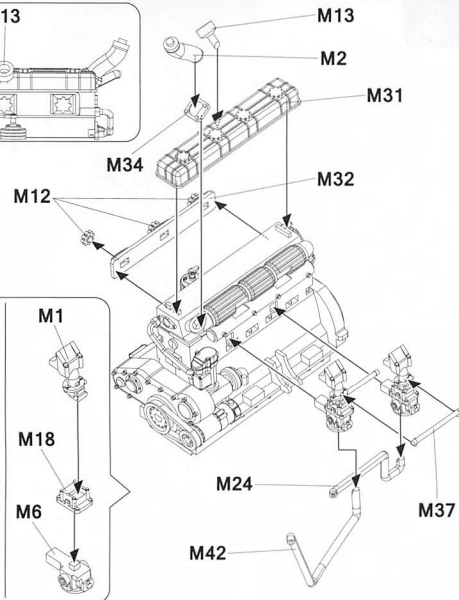
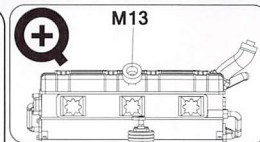
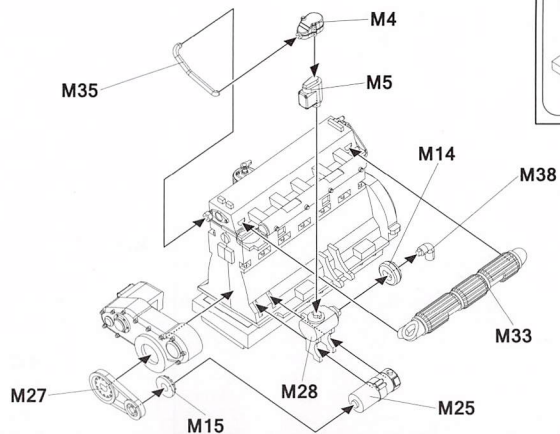
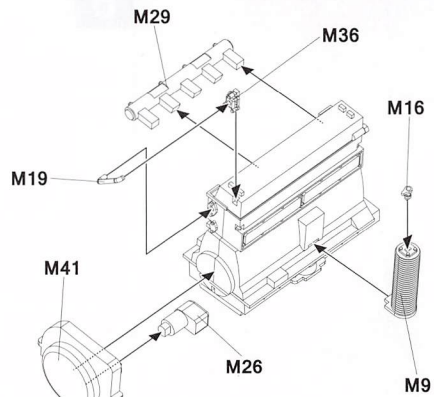
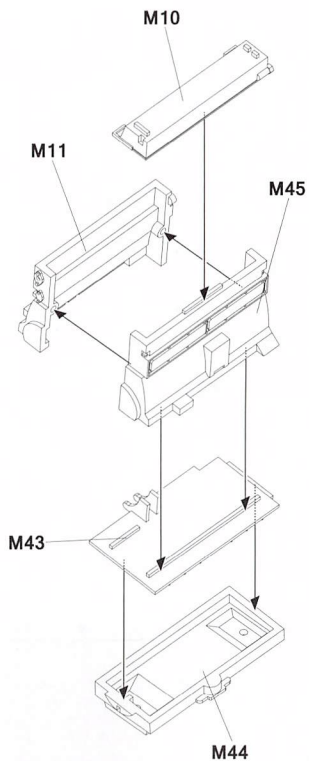






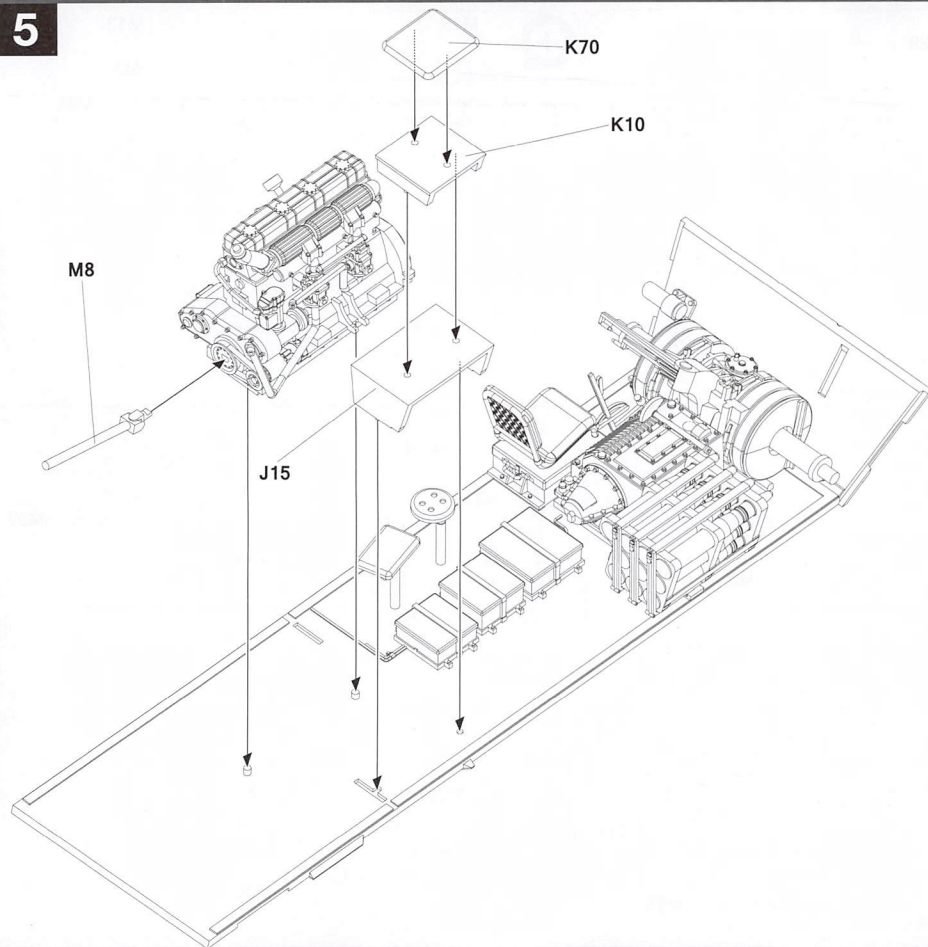




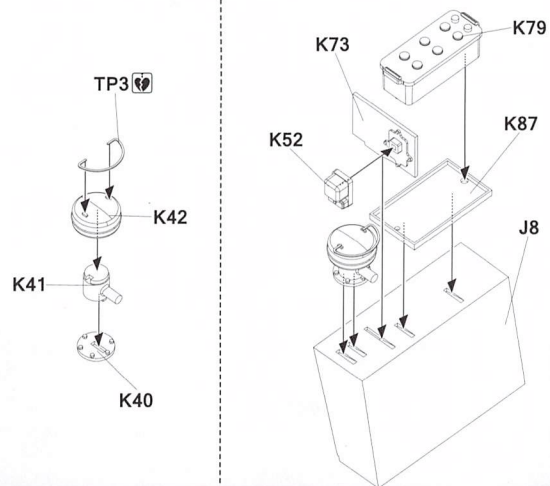
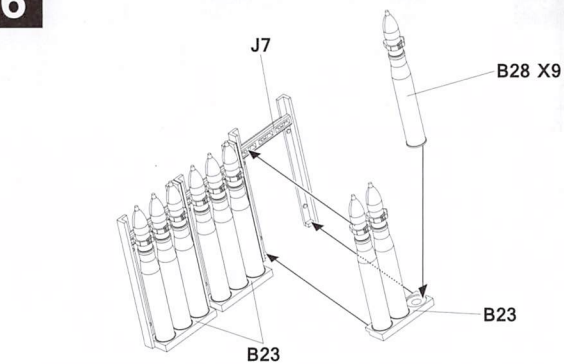




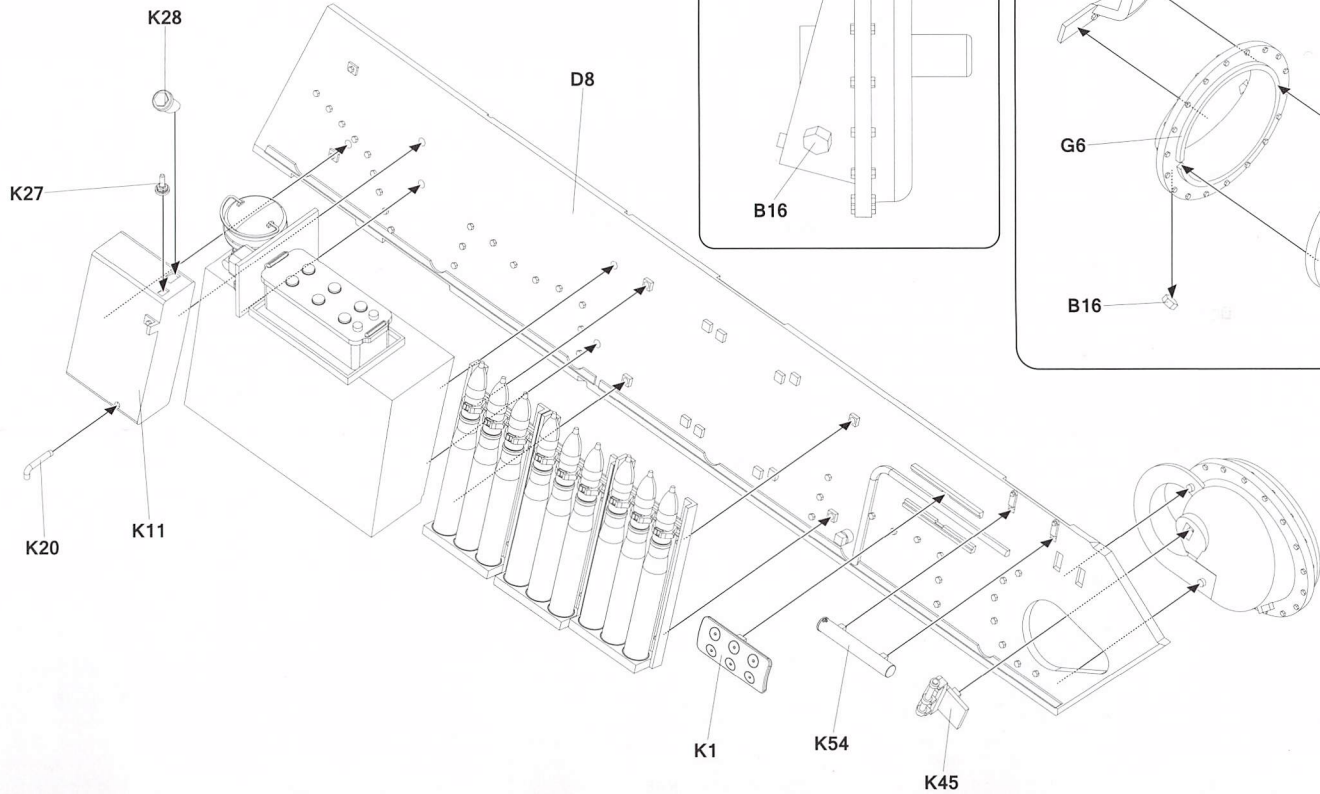
5



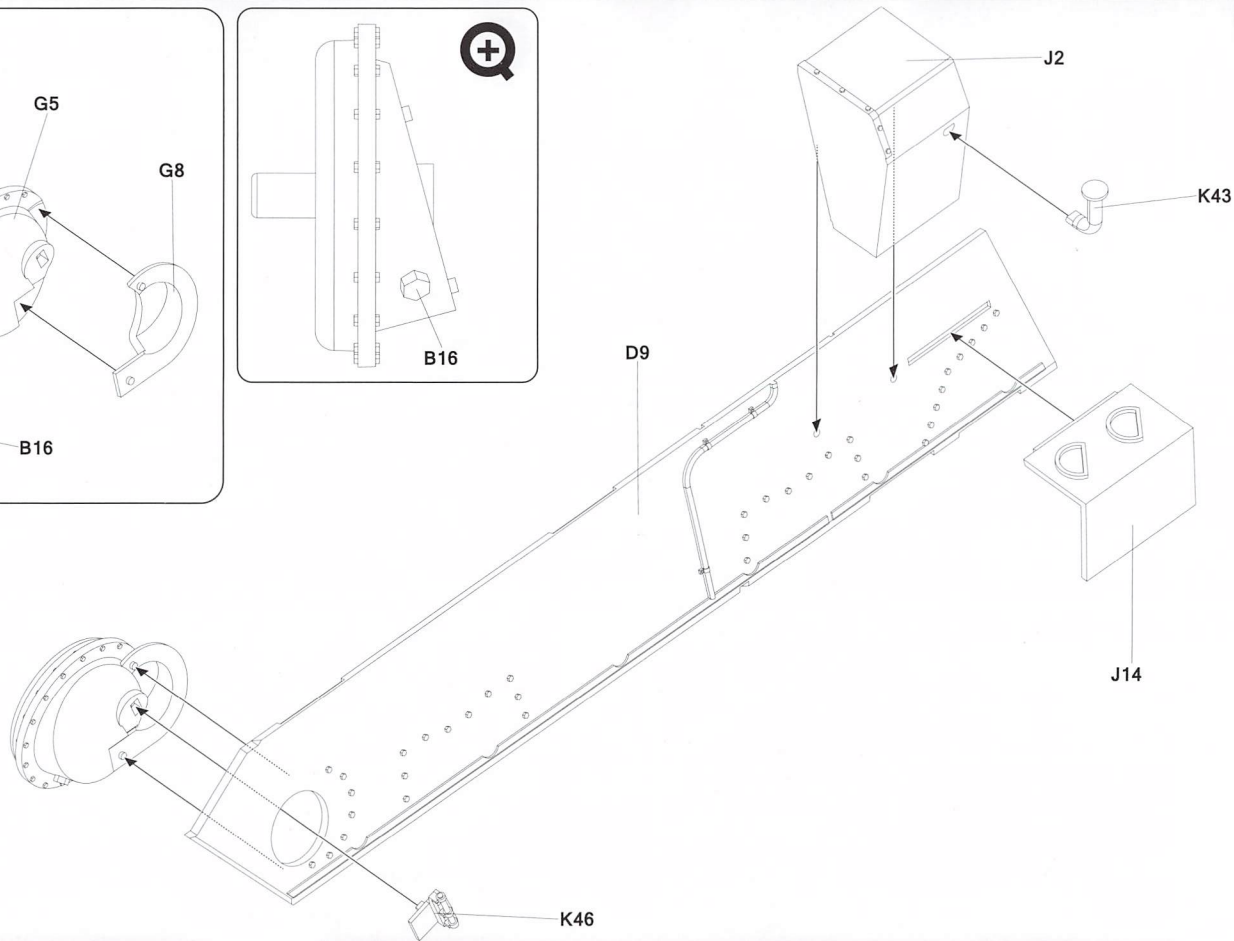
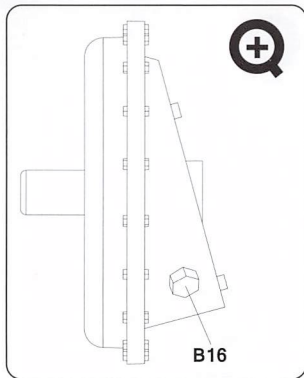
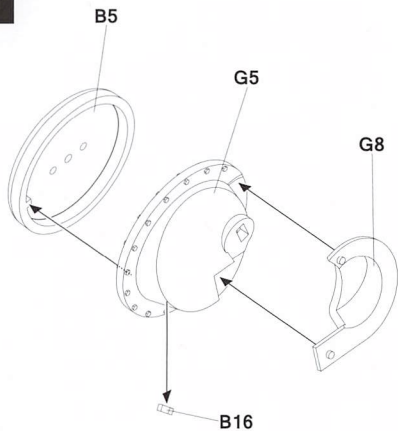
6







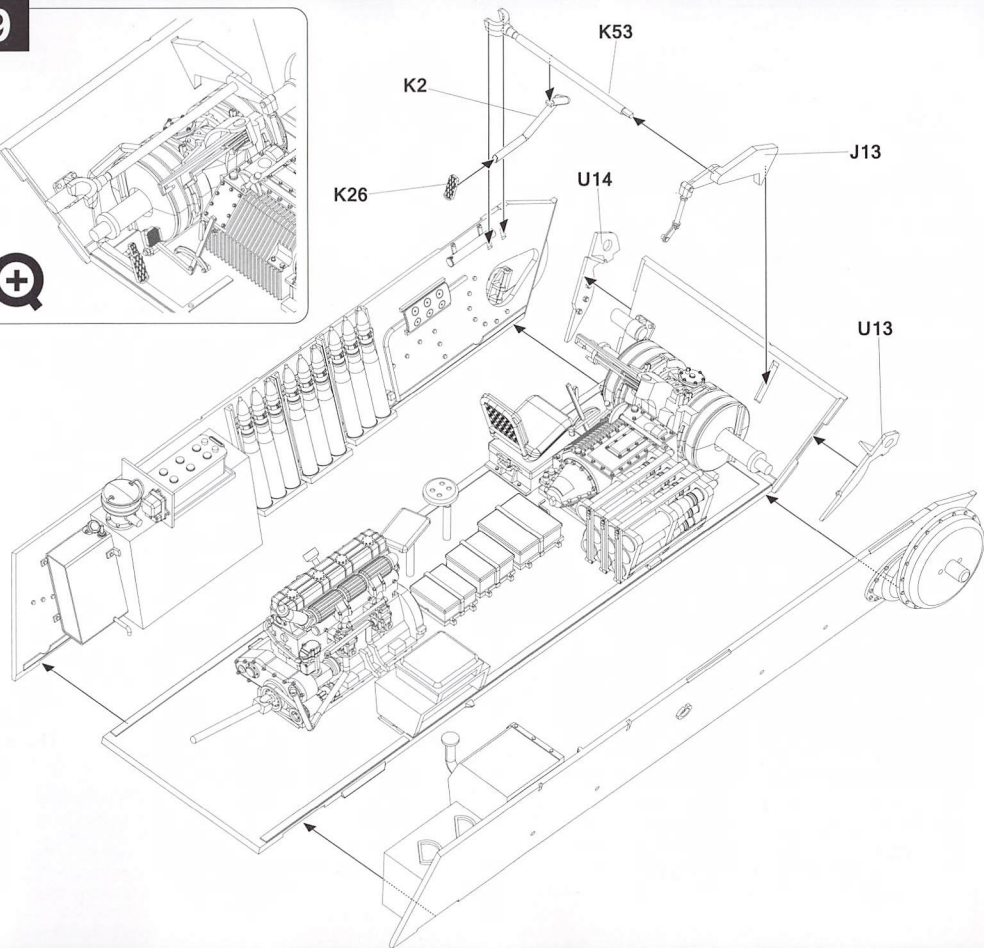
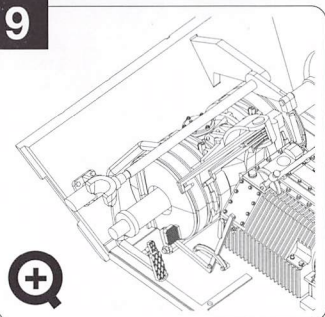
8



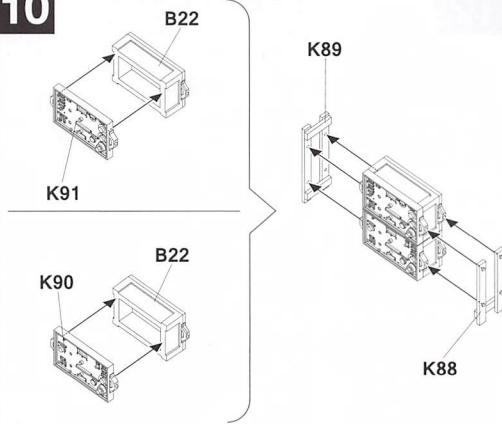
9



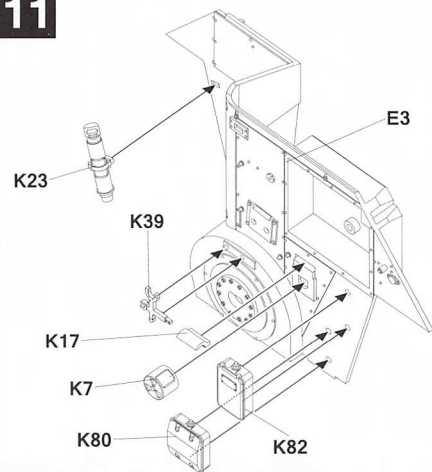
9

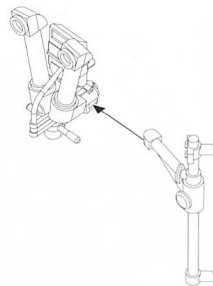
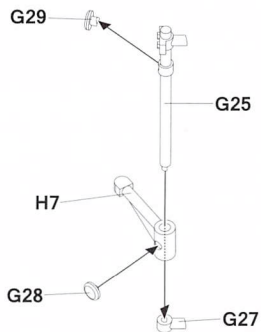
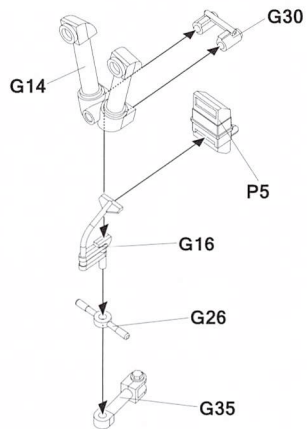
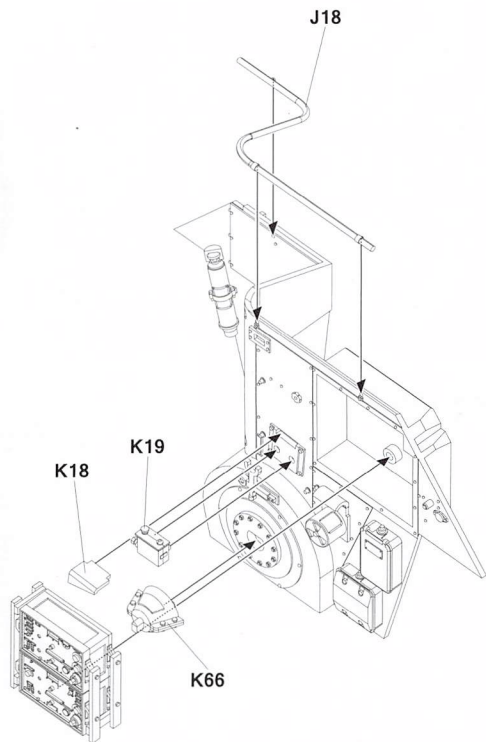


10

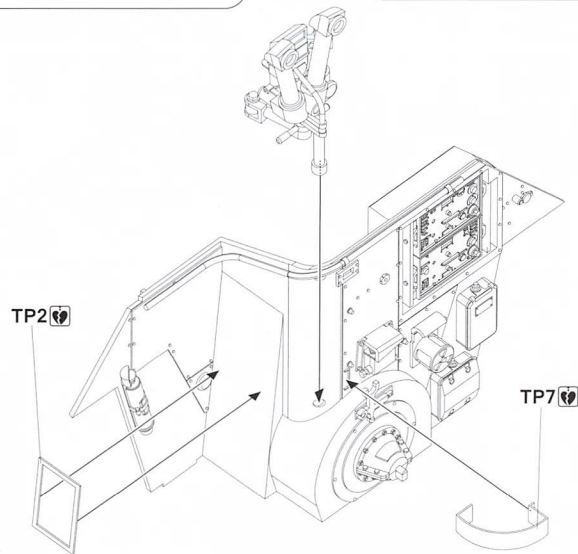


11

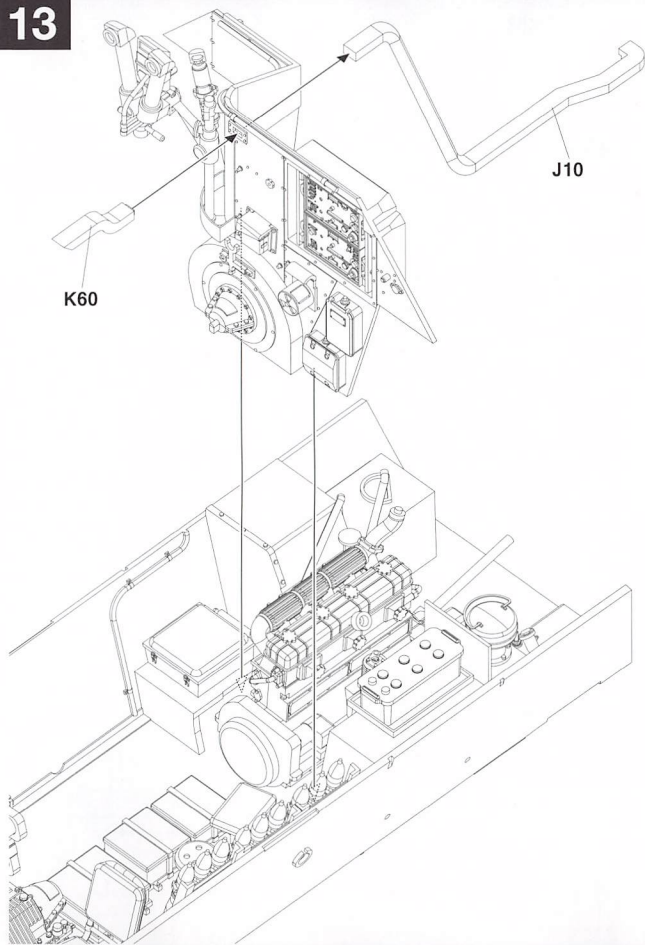
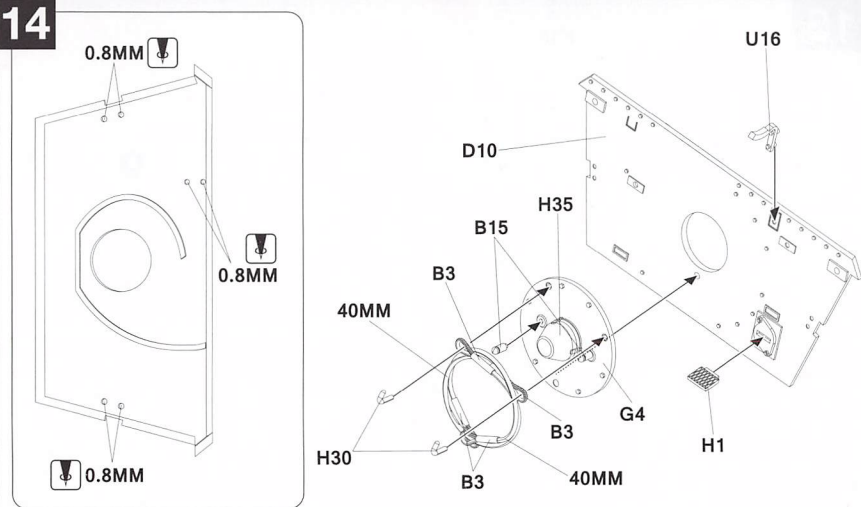
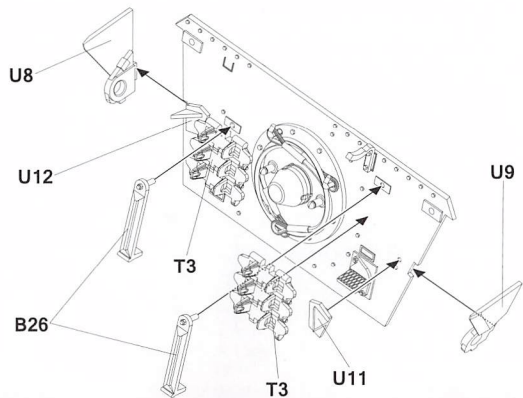


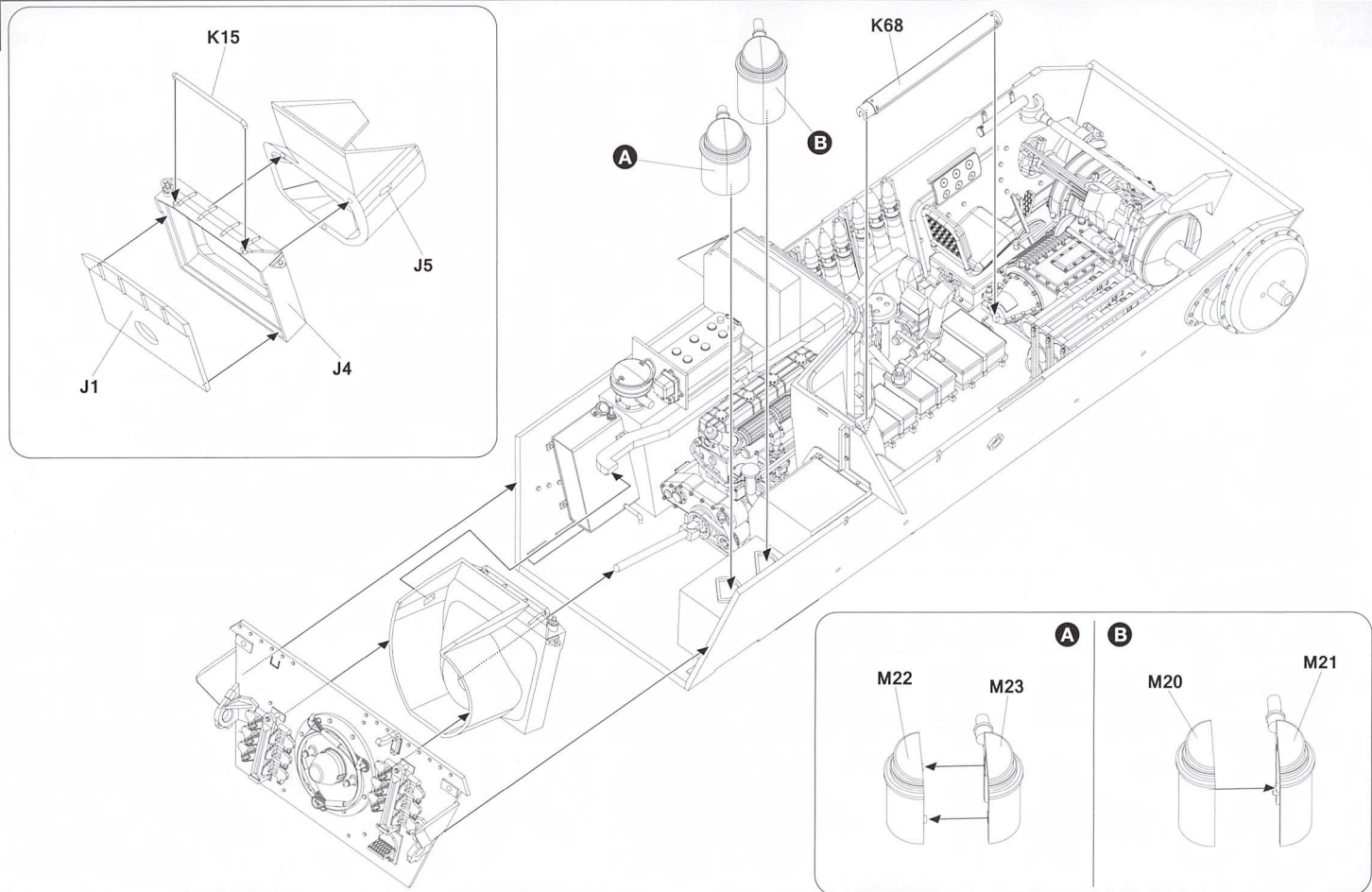


TP2

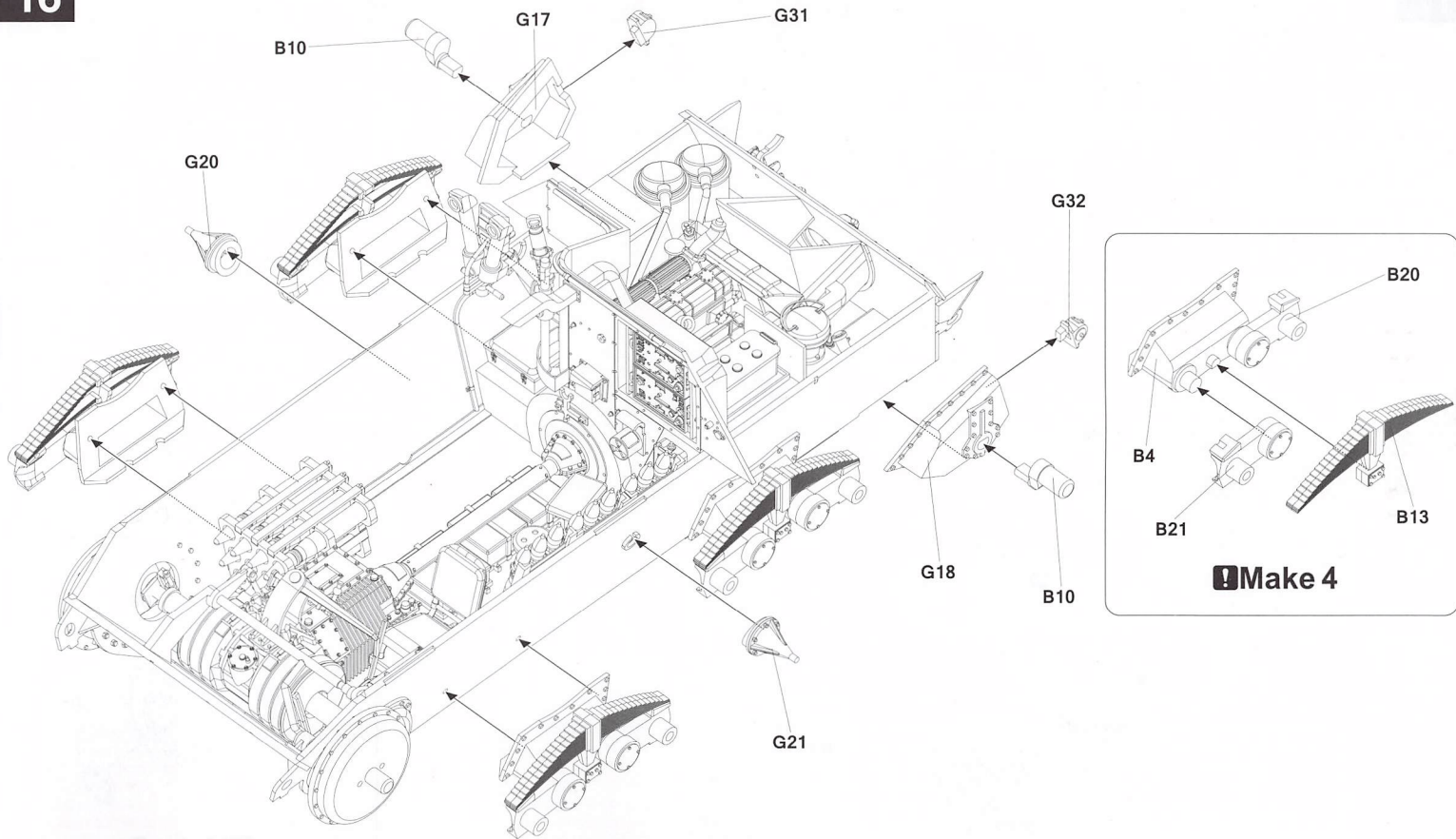


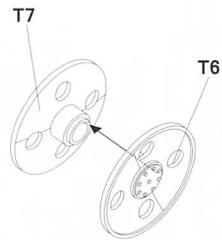
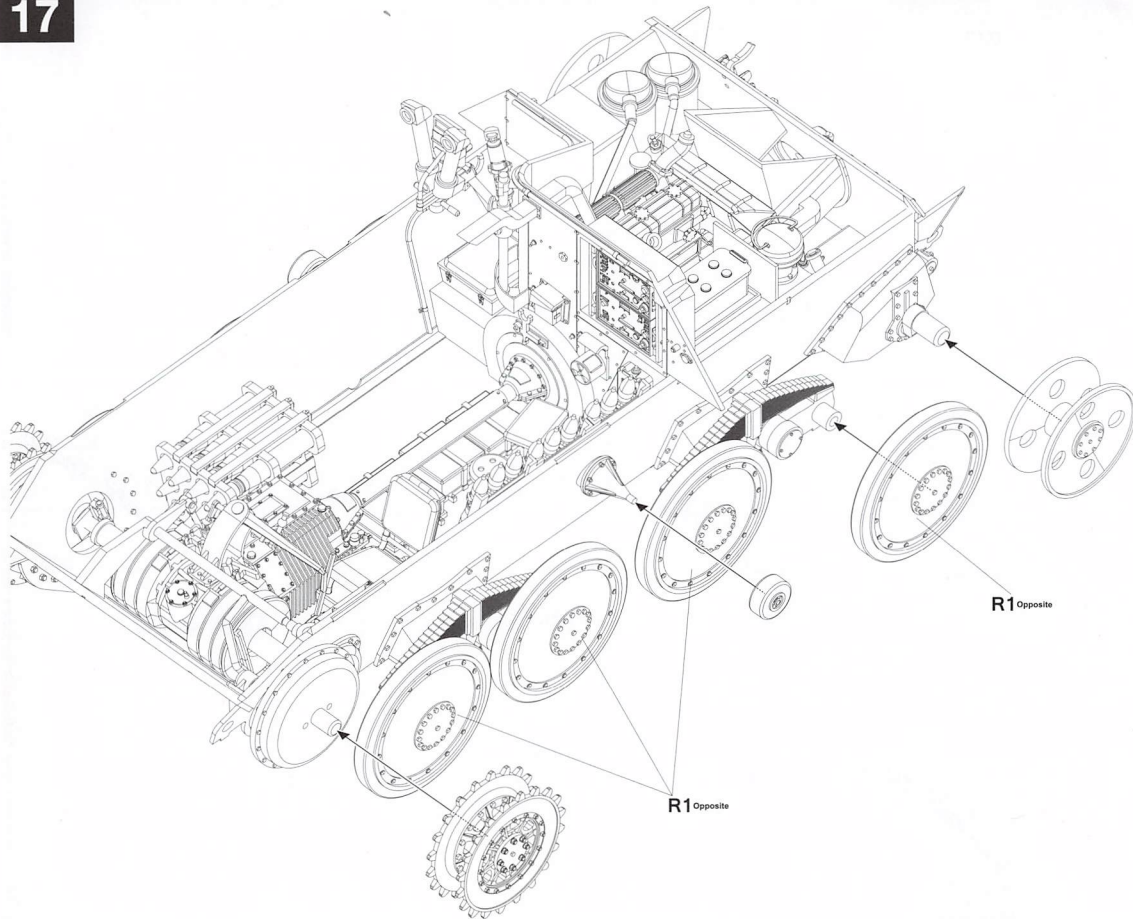


**13****14****12**

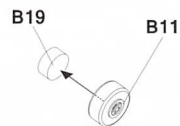




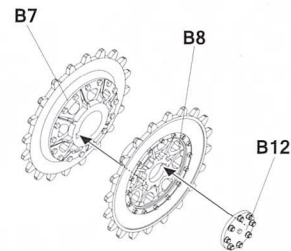




**Make 2**

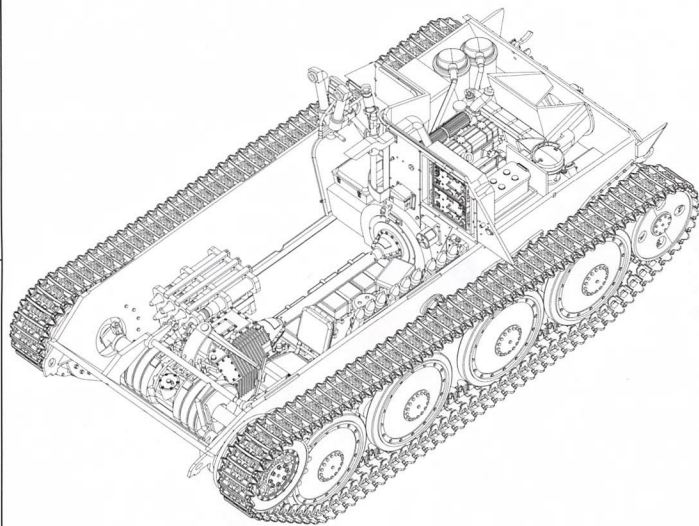
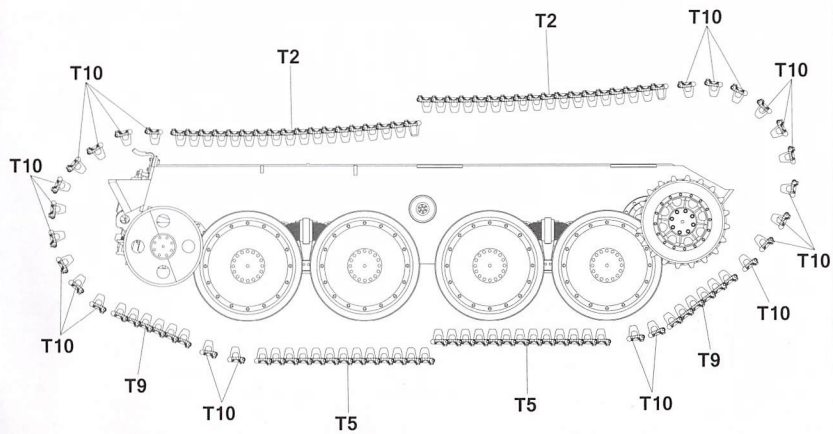
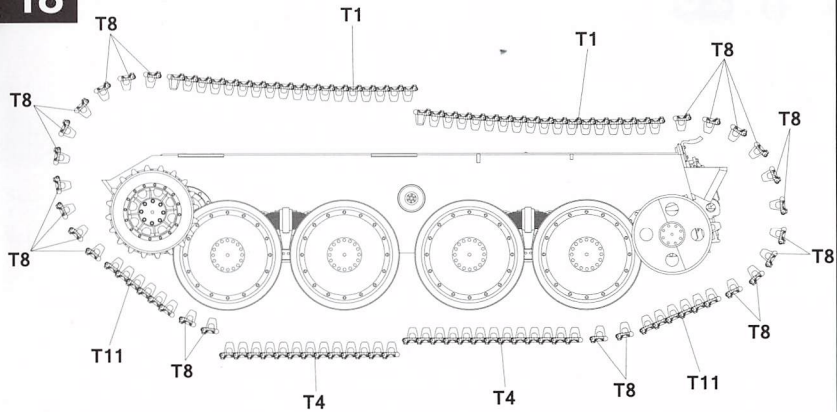


**Make 2**

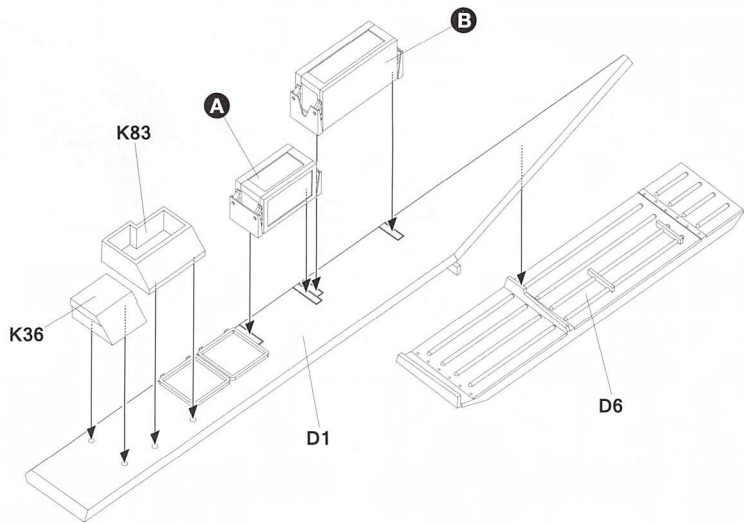
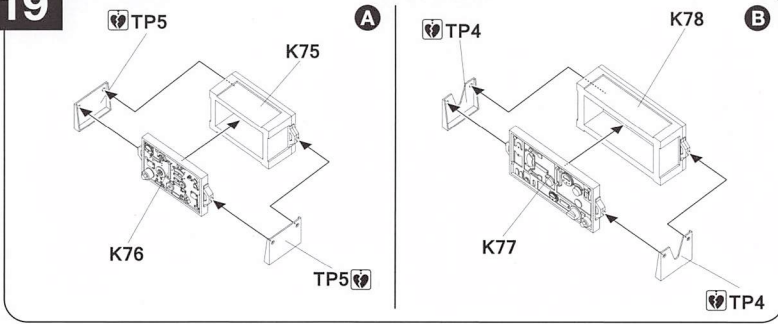


**Make 2**

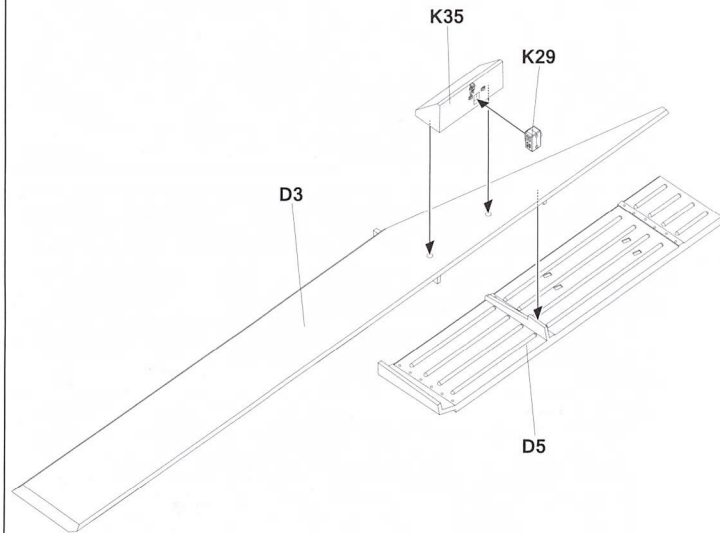


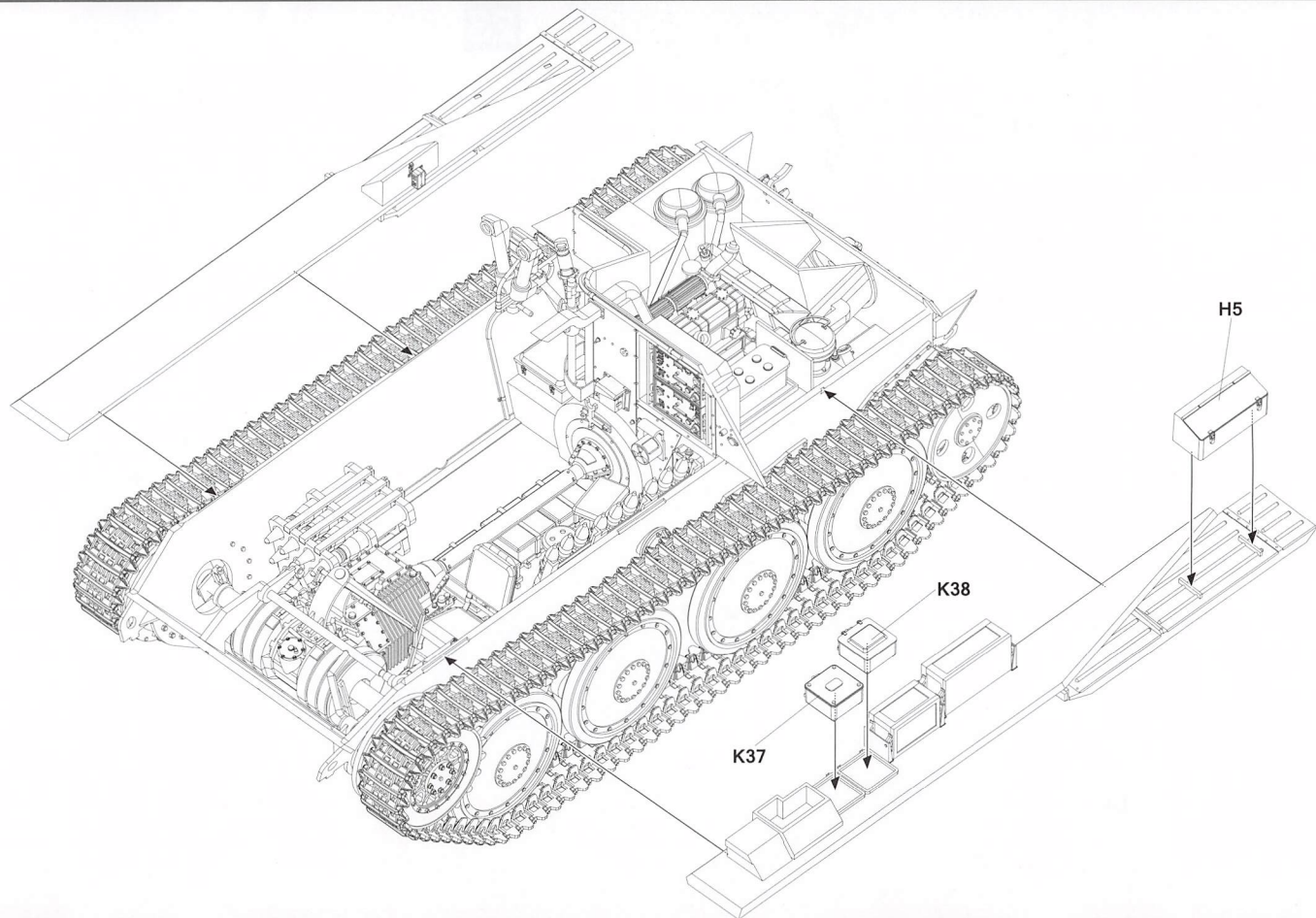


19



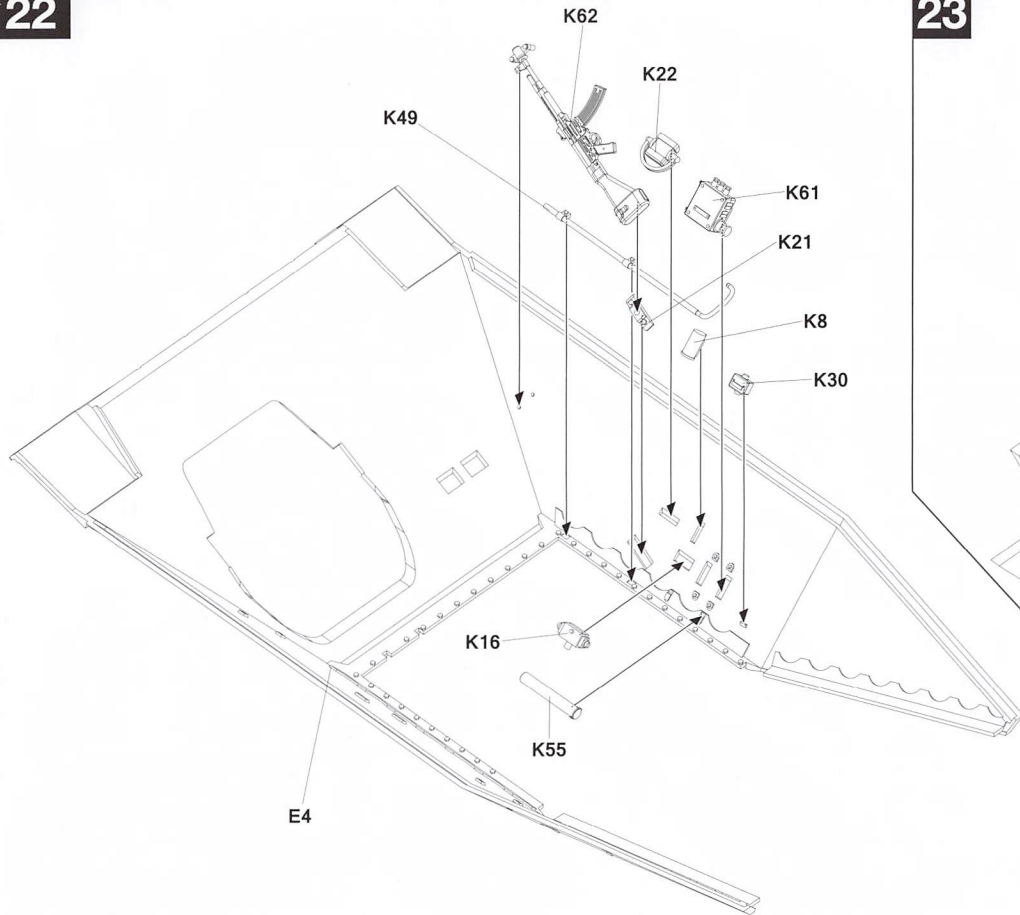
20



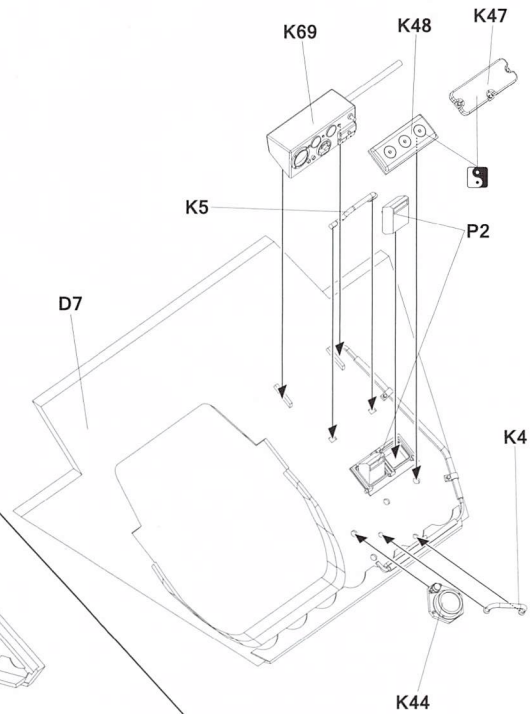


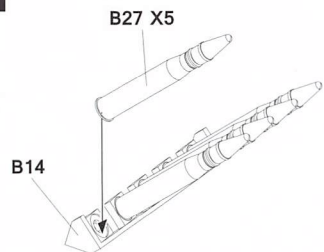


22

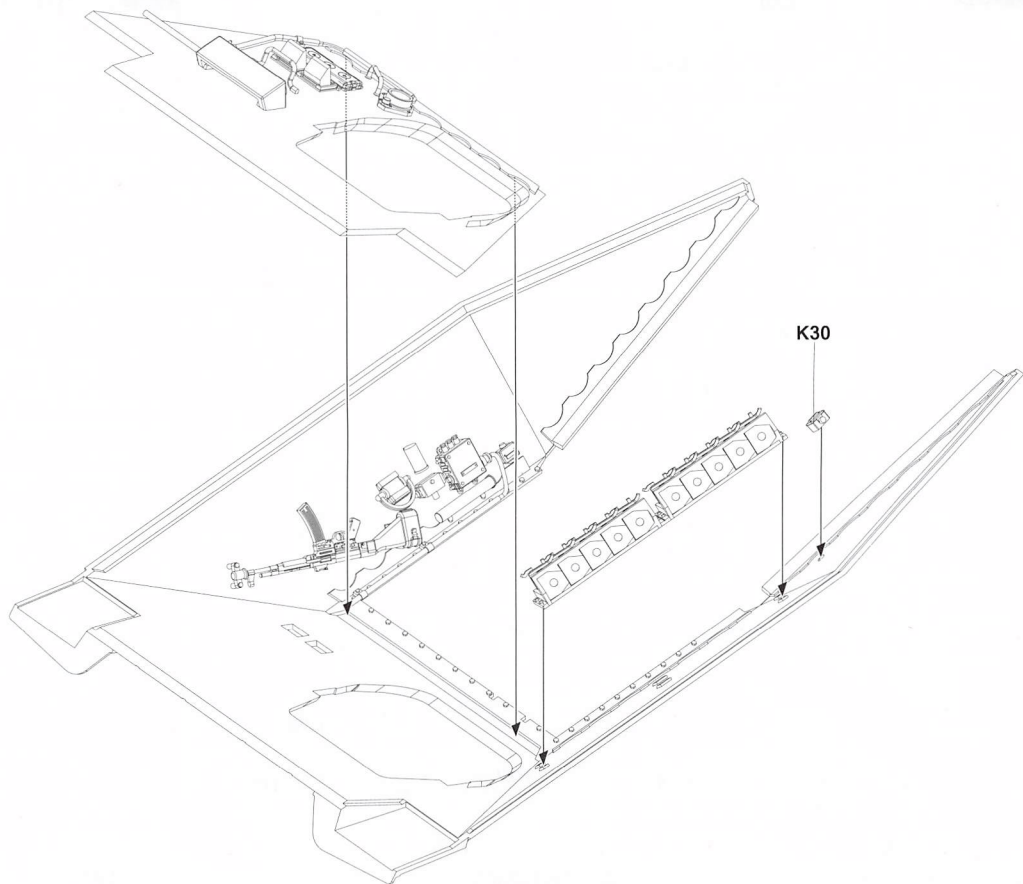
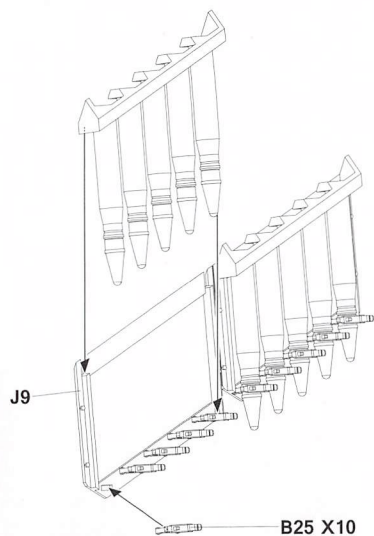


23

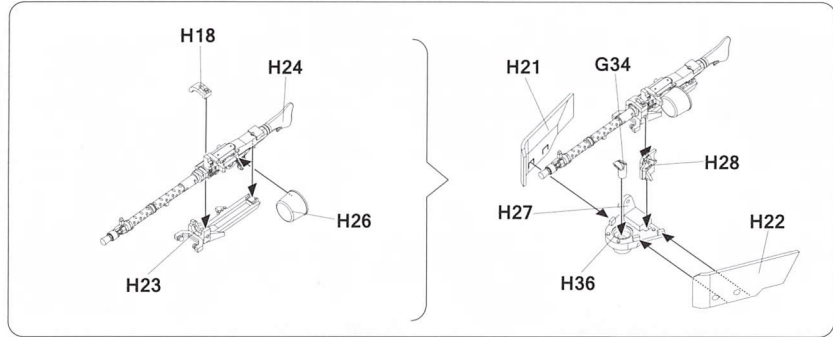
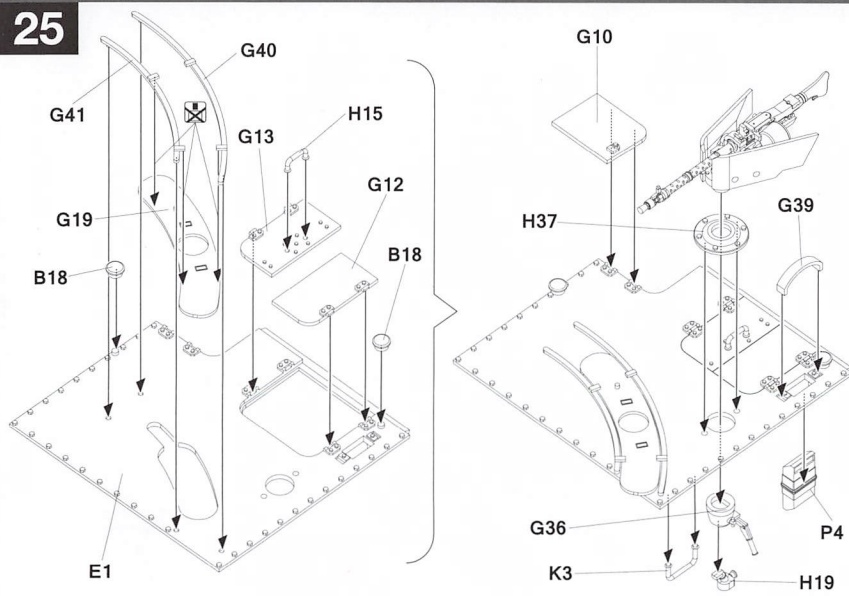




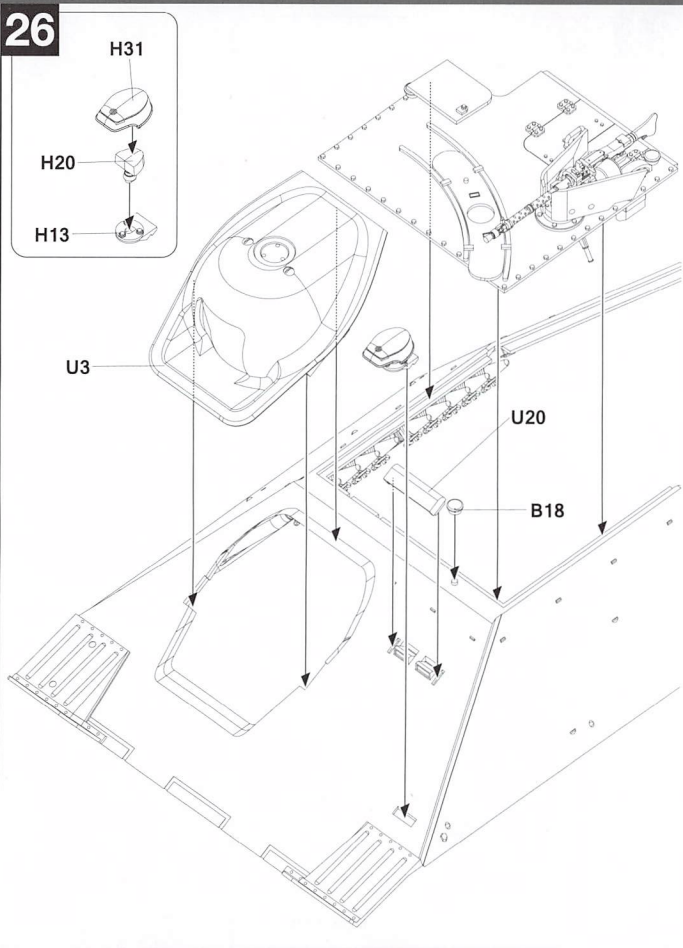
**Make 2**



25

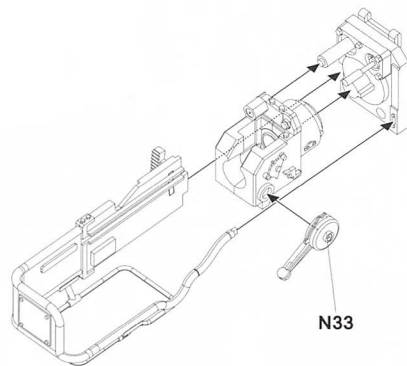
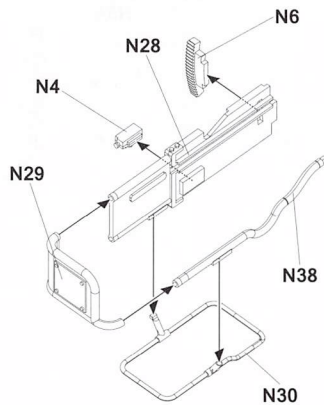
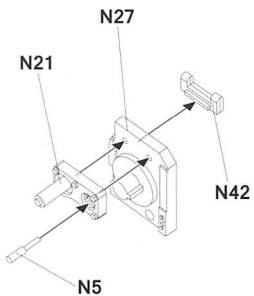
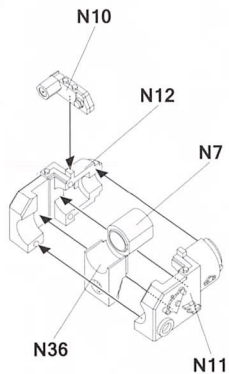


26

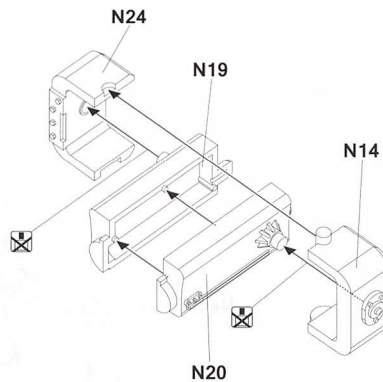
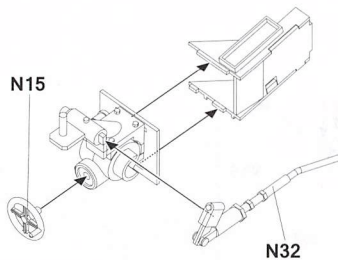
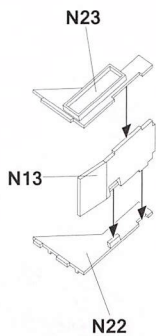
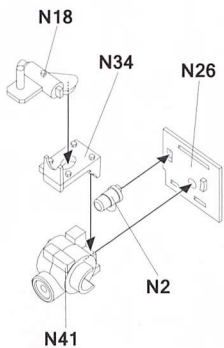


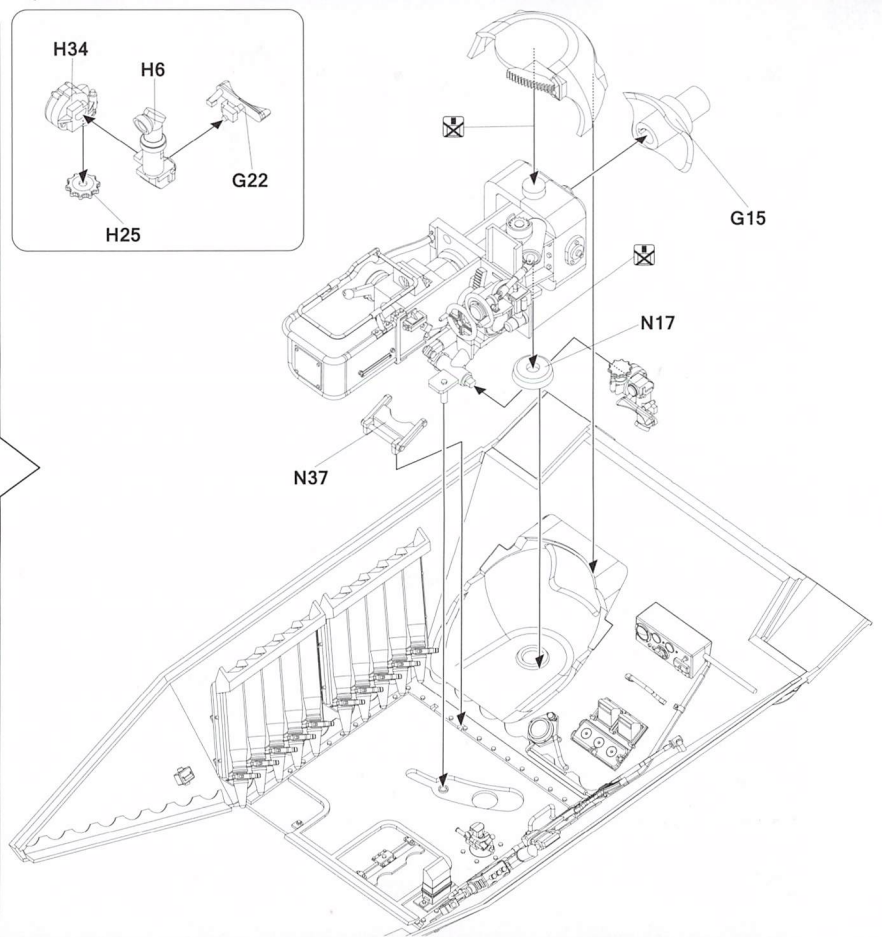
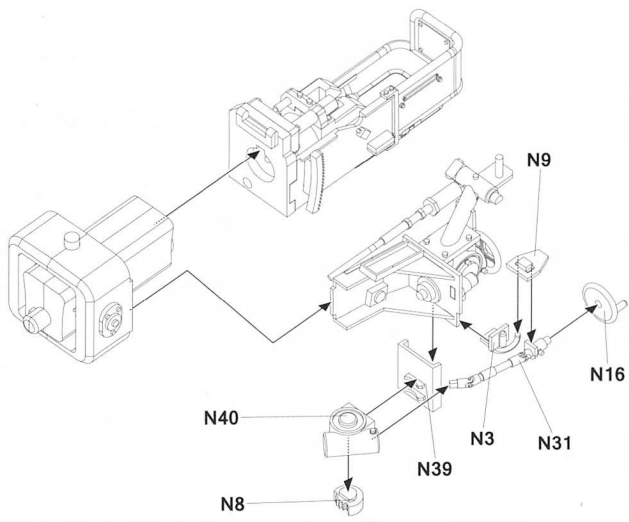
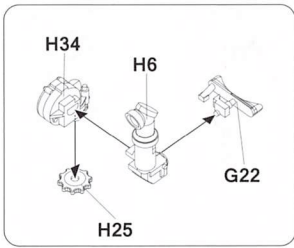
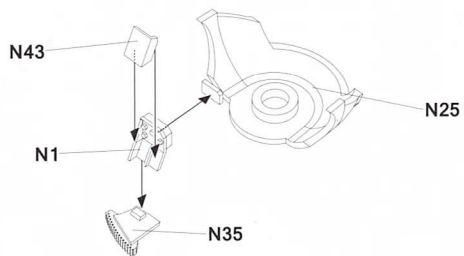


27

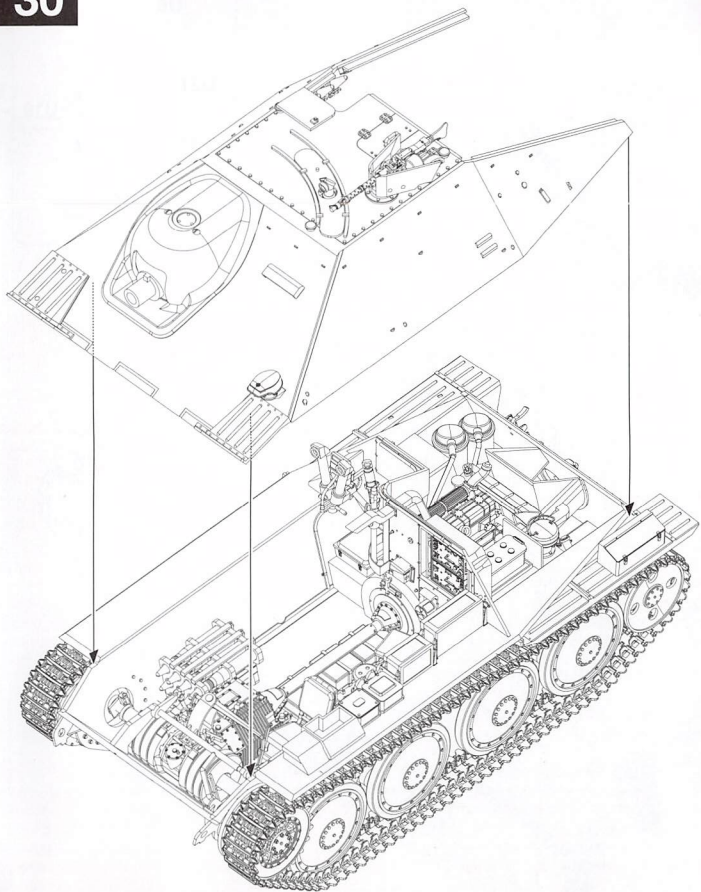


28

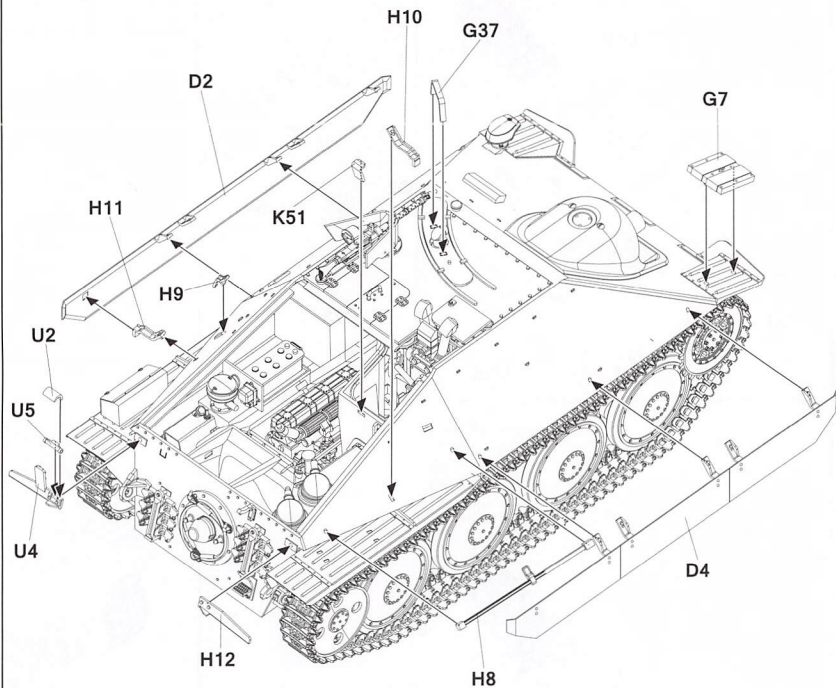




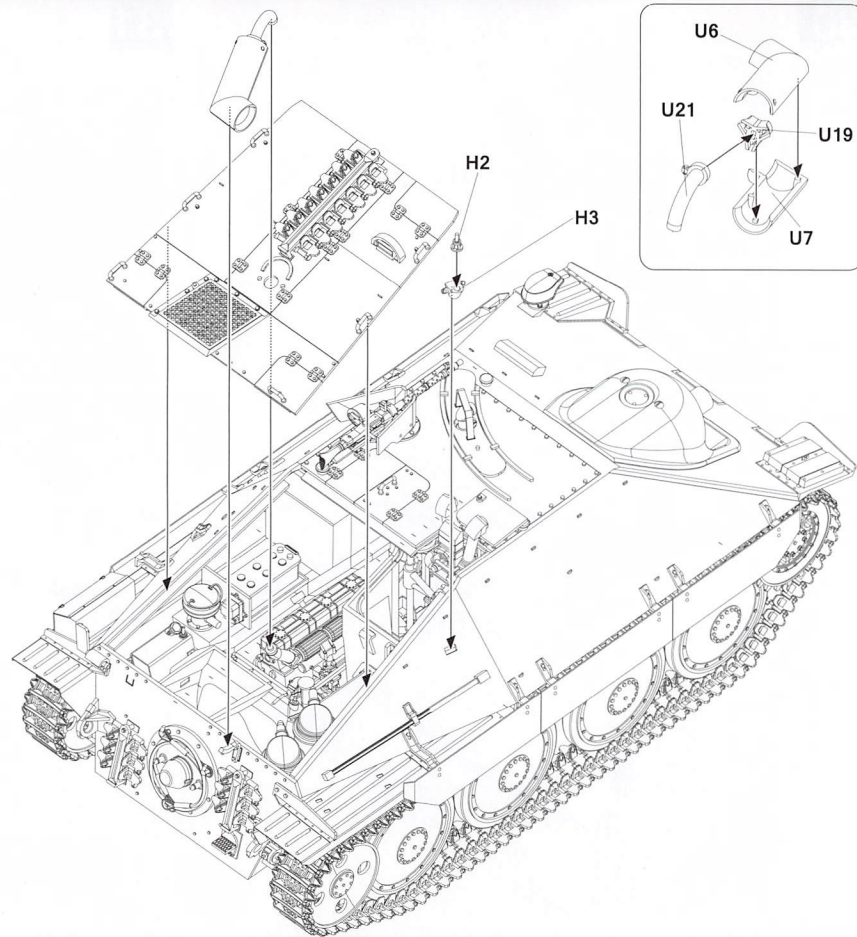
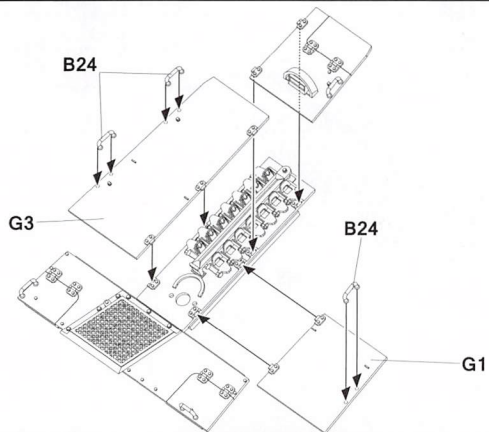
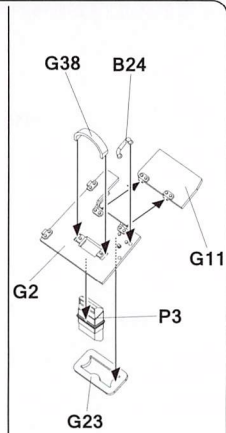
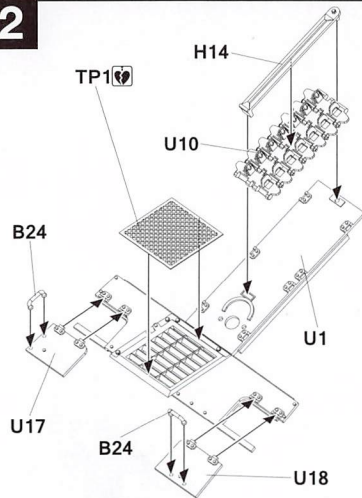
30

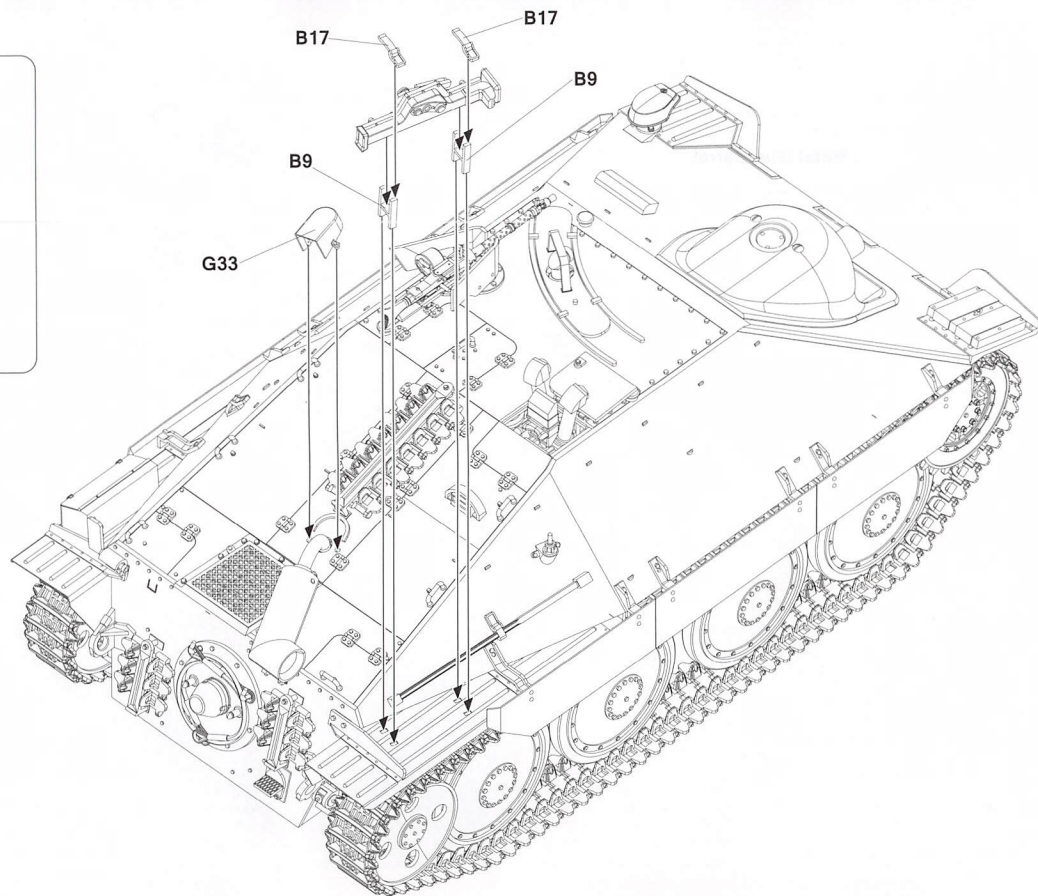
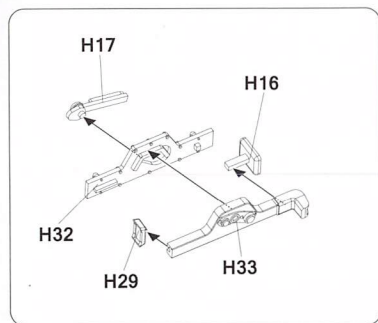


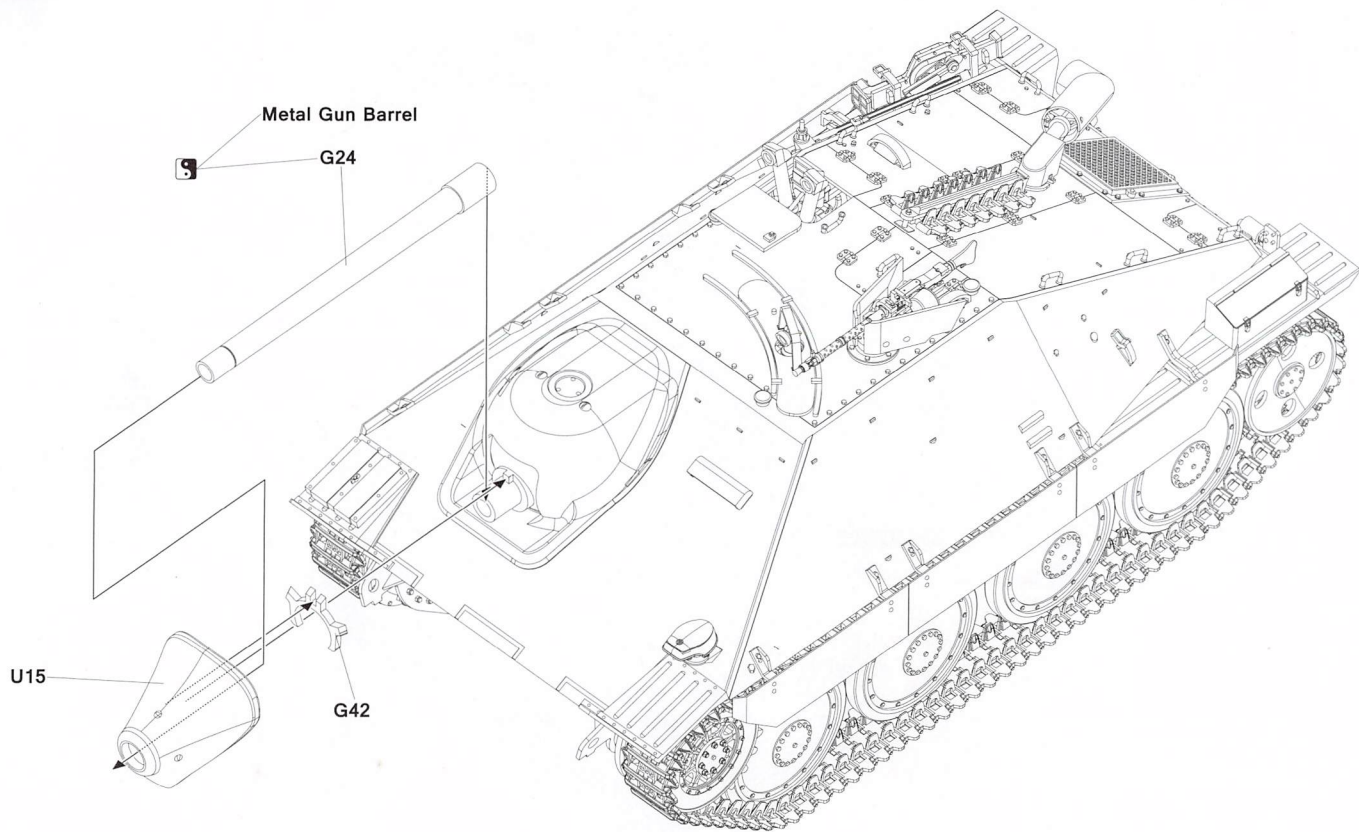
31



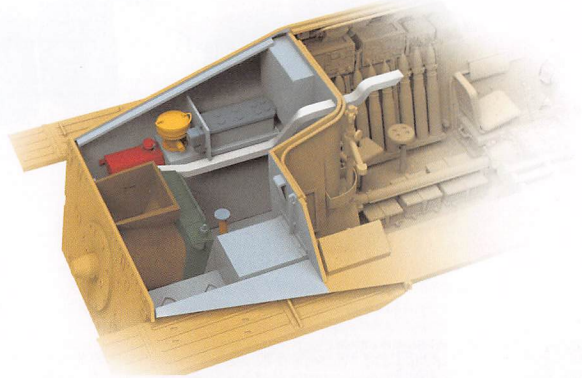
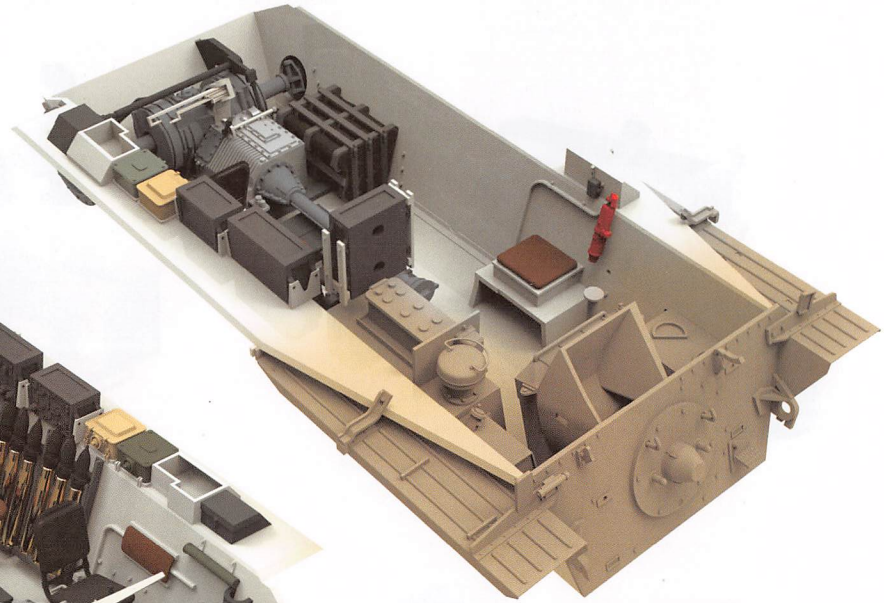
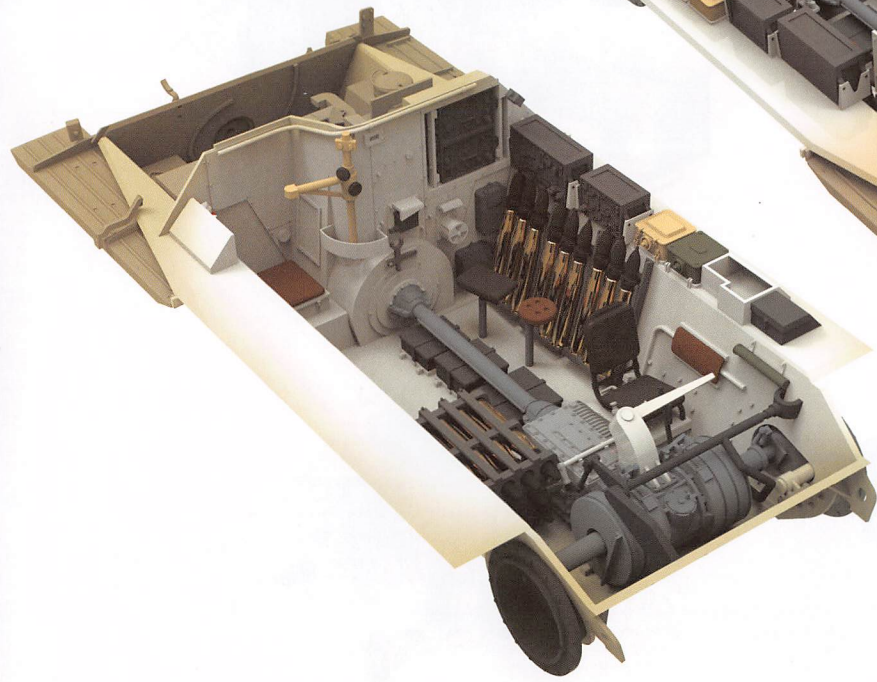


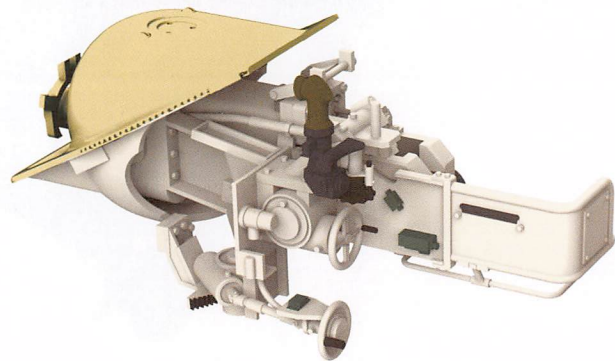
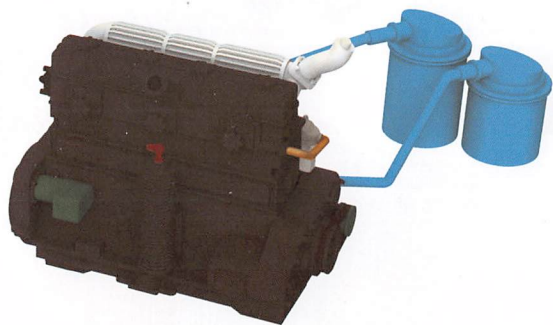
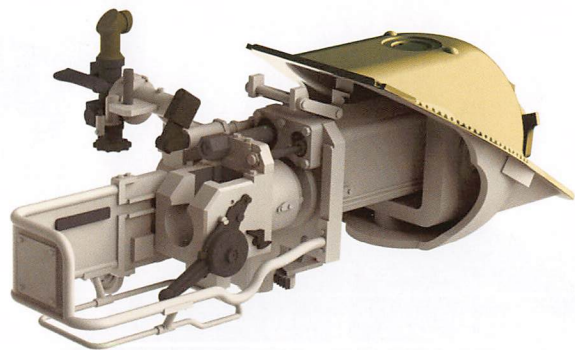
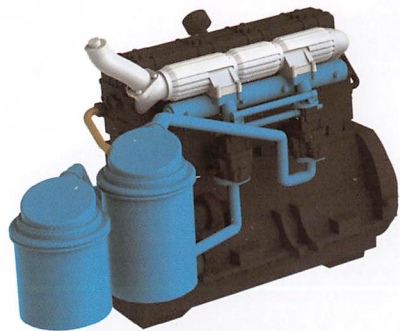




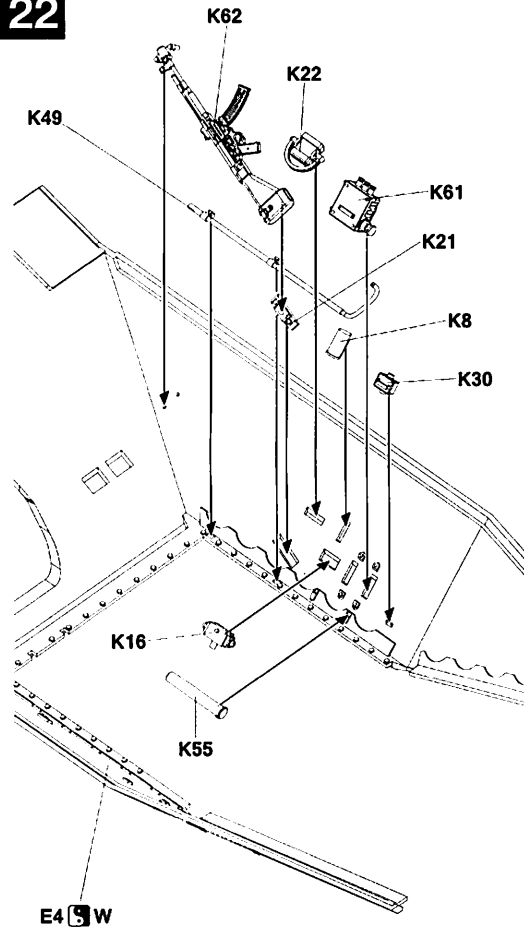




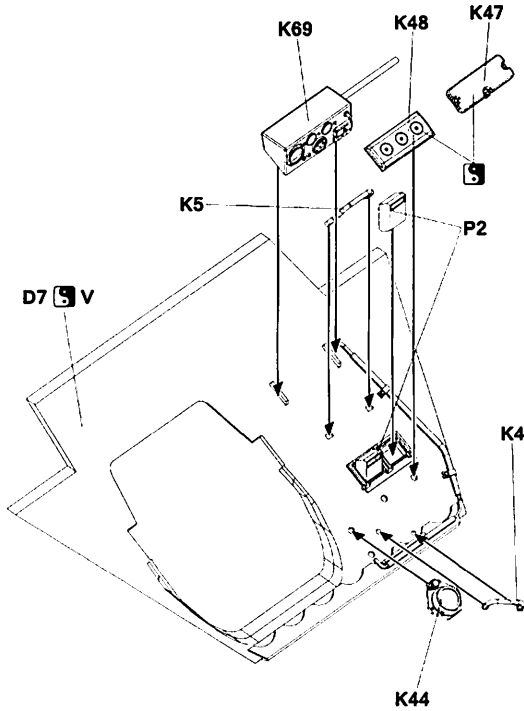




22



23



25

