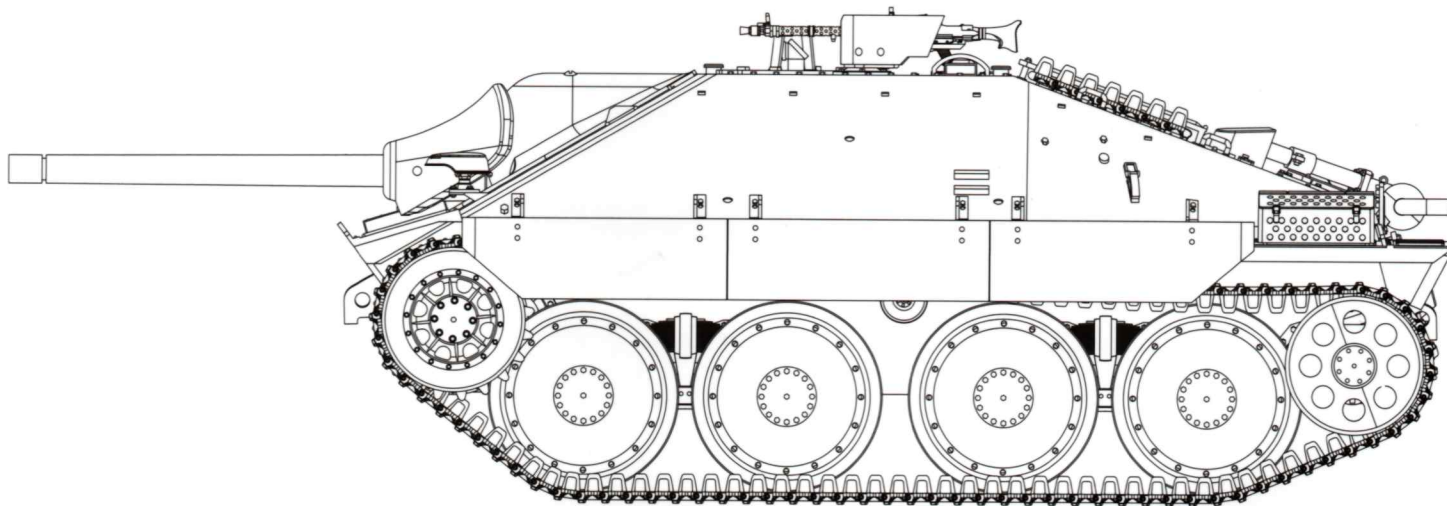


# Jagdpanzer 38(t) Hetzer *FULL INTERIOR*

## MID PRODUCTION



After the annexation of Czechoslovakia, Nazi Germany adopted the ČKD LT vz. 38 and modified the existing hull to create the 16-ton Jagdpanzer 38 (t), later known as the Hetzer. Designed to have a low profile, these tank hunters featured 60mm frontal armor sloped at 60 degrees and were ideal for ambush tactics. Operated by a four-man crew, they were armed with the powerful high velocity 75mm PaK 39 L/48 main gun, which could take out most enemy tanks. The secondary armament consisted of a top-mounted 7.92mm MG34 machine gun. The Hetzer was powered by a 158 hp Praga 6-cylinder AC/2000 water-cooled engine and 5 + 1 Praga-Wilson Typ CV transmission, which gave the vehicle a top speed of 26 mph (42 km/h) and operational range of up to 110 miles (180 km).

A total of 2,612 units were produced by the end of WWII, most of which were allocated to independent Heeres Panzerjäger Abteilungen (Army Tank Hunter Battalions). Some Hetzers were subsequently sent to Hungarian battalions and the Russian Liberation Army (ROK) towards the end of the war. After the war ended, 158 Swiss contract Škoda Jagdpanzer G13 tank hunters entered service with the Swiss army, where they served until 1970.

# READ BEFORE ASSEMBLY

## CAUTION

- Read carefully and fully understand the instructions before commencing assembly. A supervising adult should also read the instructions if a child assembles the model.
- When assembling this kit, tools including knives used. Extra care should be taken to avoid personal injury.
- Keep out of reach of small children. Children must not be allowed to suck any part, or pull vinyl bag over their heads.



Be Careful



Optional



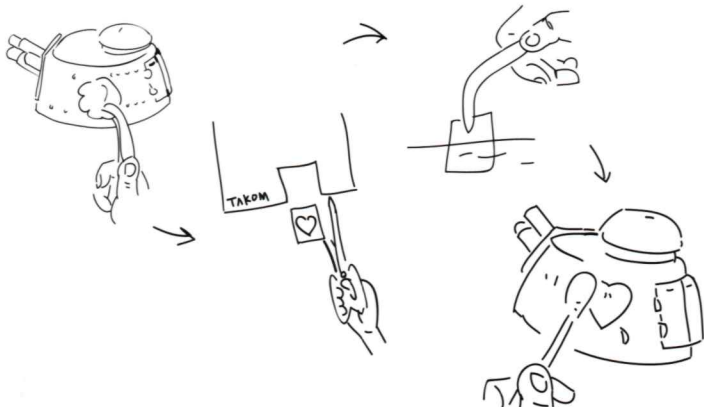
Do Not Cement



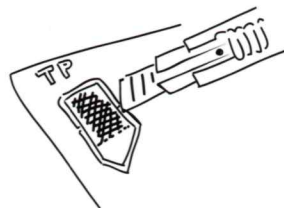
Instant Glue for Metal

## APPLYING DECALS

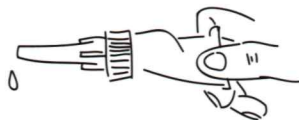
1. Clean the model surface with a wet cloth.
2. Cut out each decal design from sheet, and dip it in tepid water for 15-20 sec.
3. Hold the backing sheet edge and slide decal onto the model.
4. Move decal into position by wetting decal with finger.
5. Press decal gently down with a soft cloth until excess water and air bubbles are gone.



## REMOVING PE



Be careful not to hurt when removing PE parts.

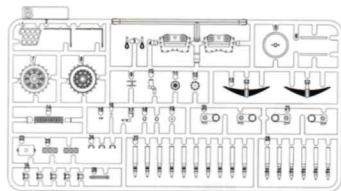
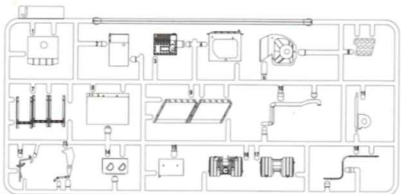
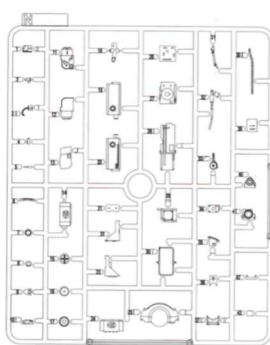
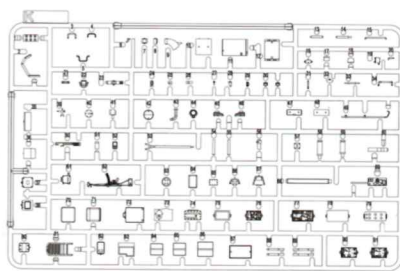
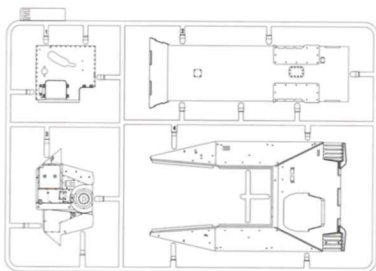
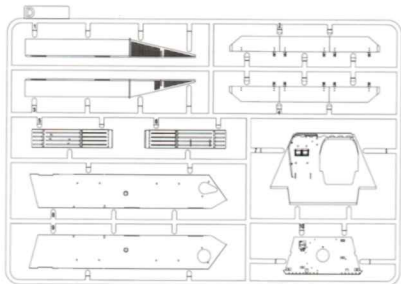


Secure using instant glue (not included).

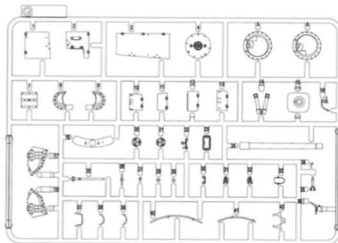


Finish using file.

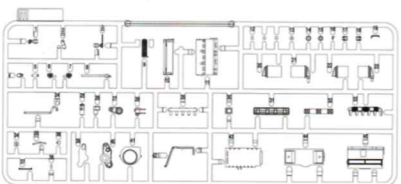
# PARTS



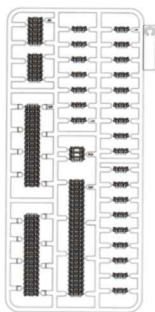
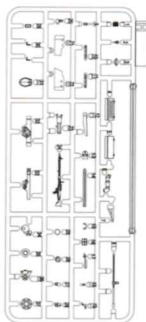
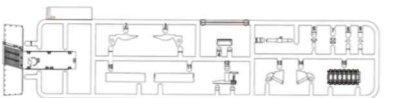
X2



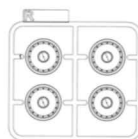
Cable



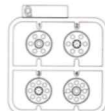
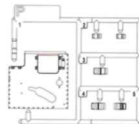
Metal Barrel



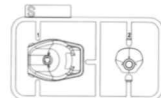
X2



X2



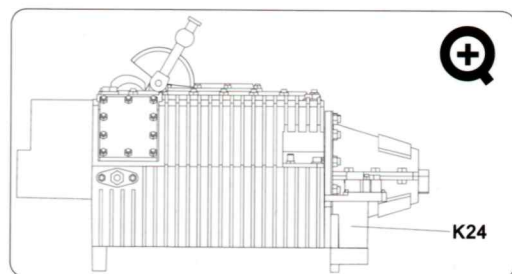
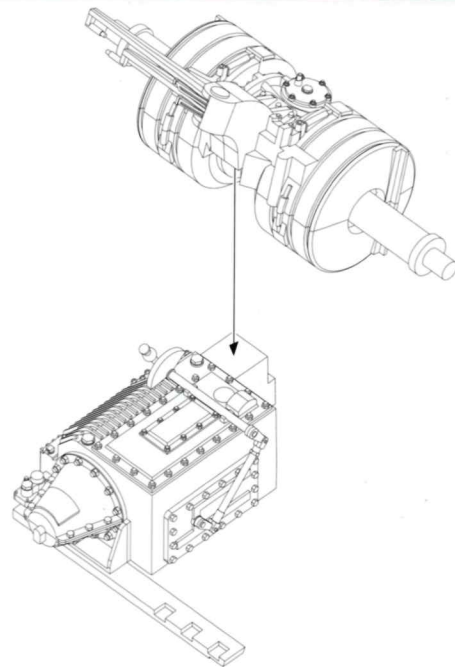
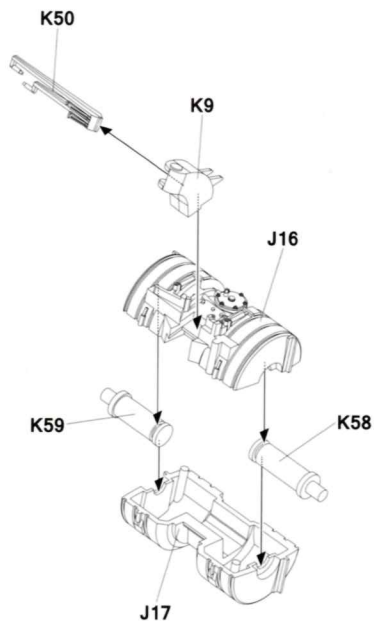
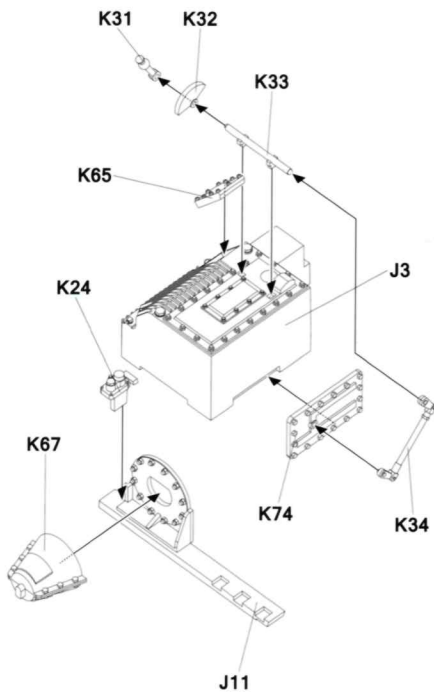
X2

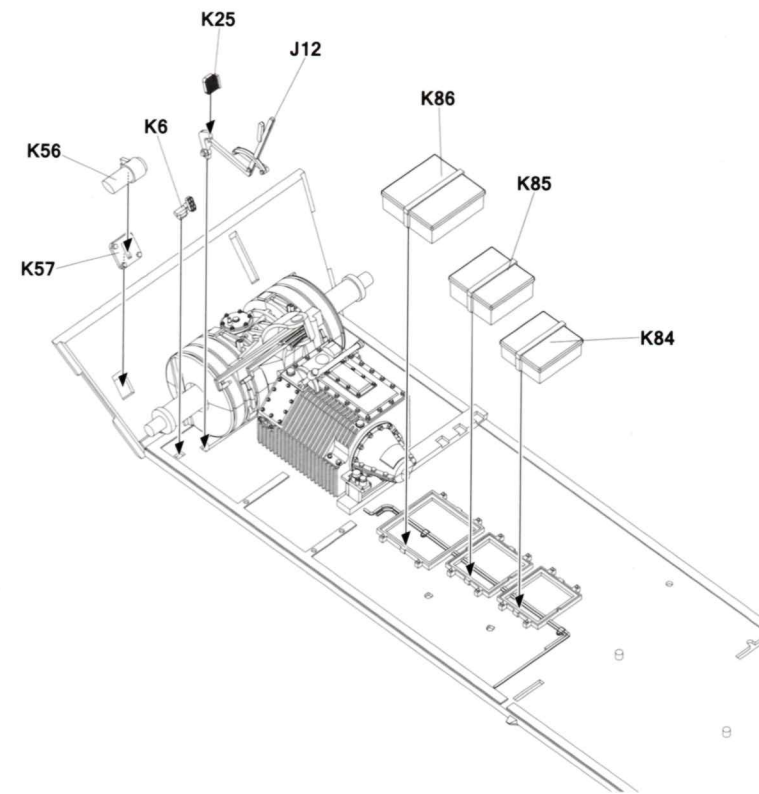
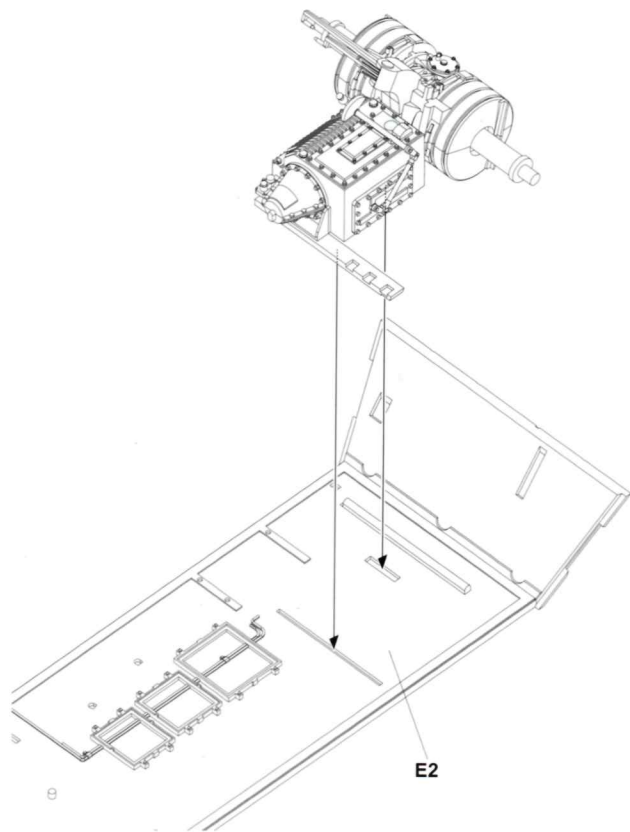


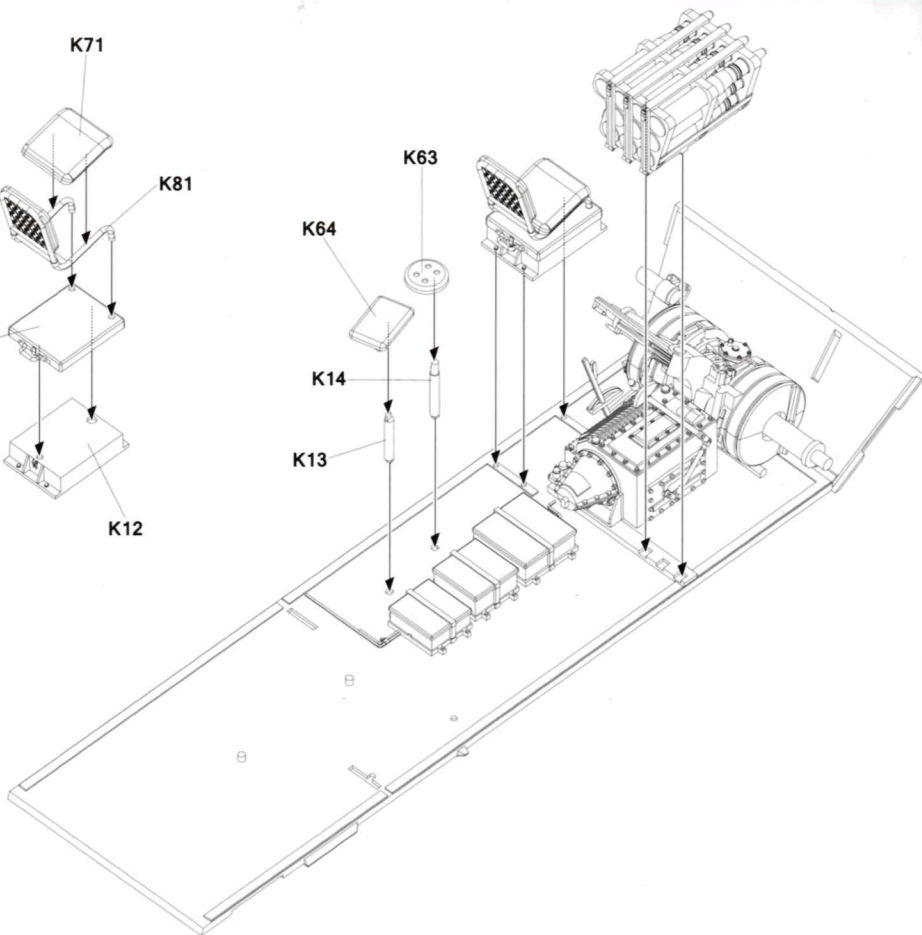
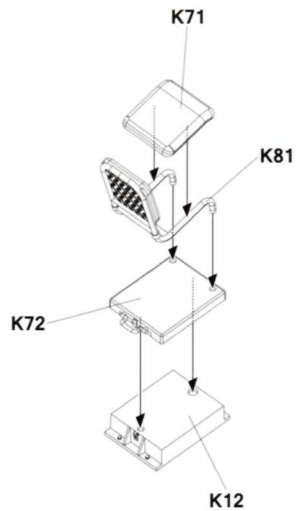
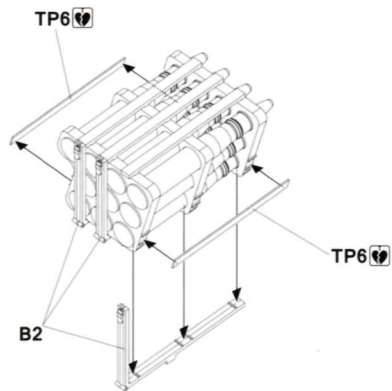
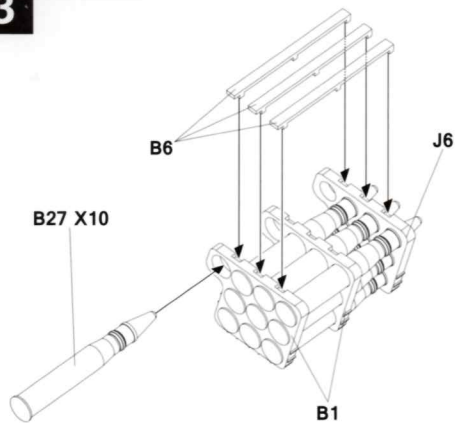
Decal

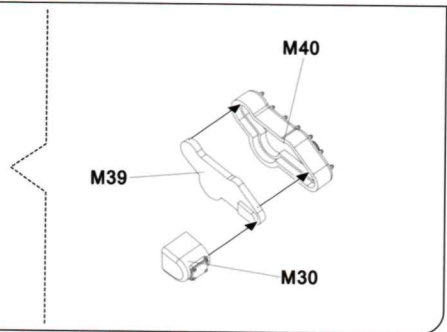
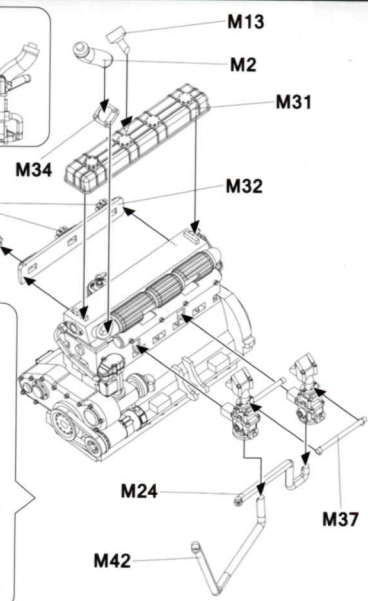
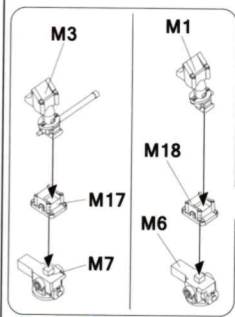
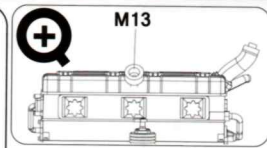
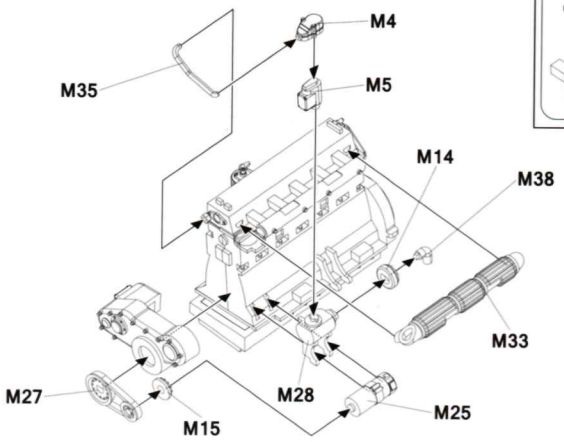
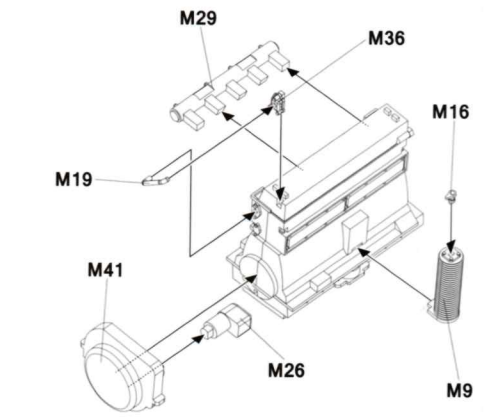
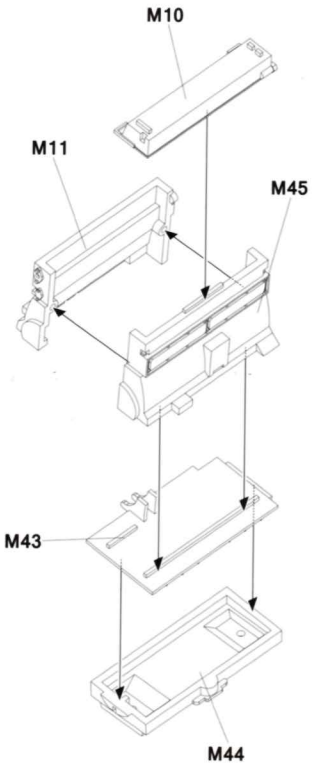


TP

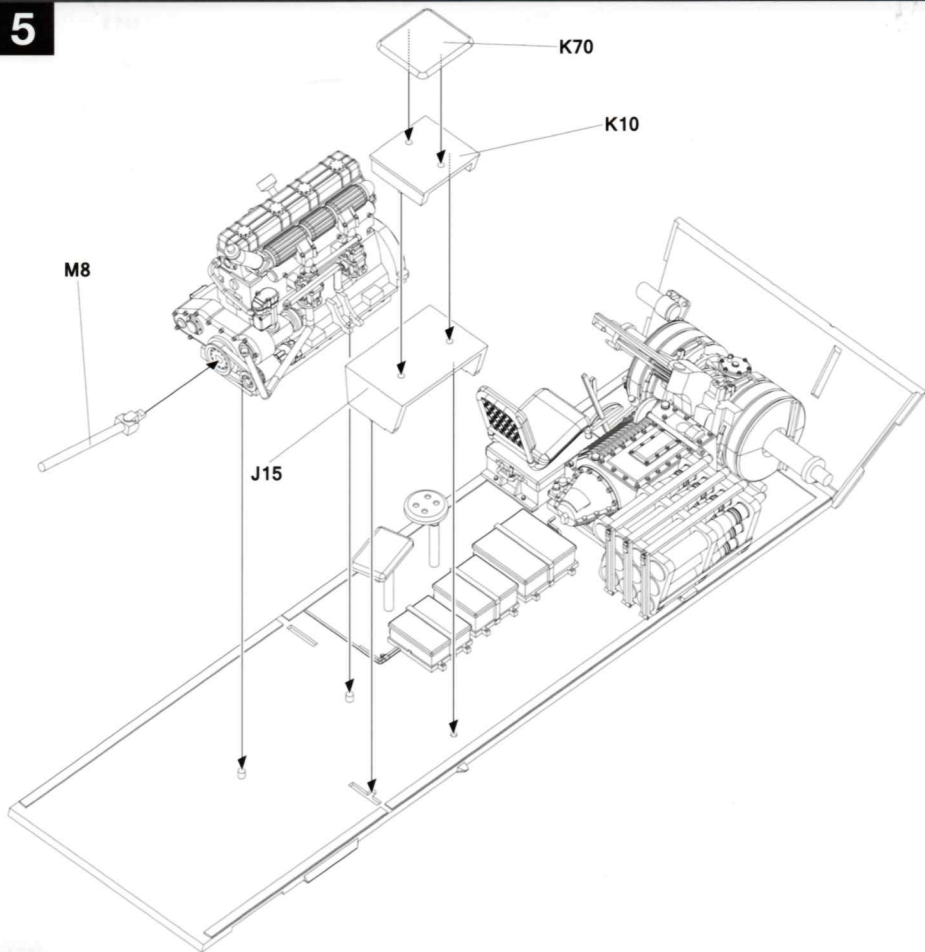




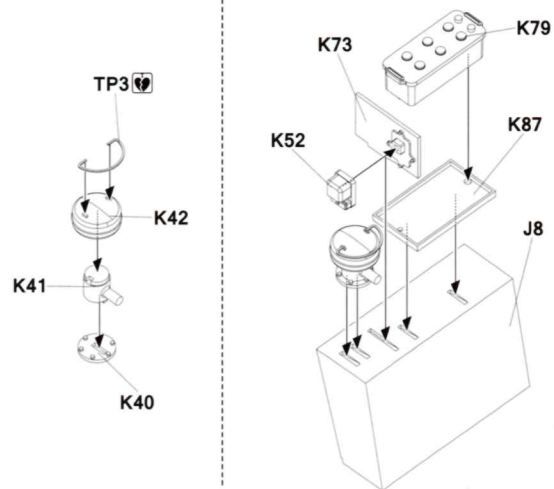
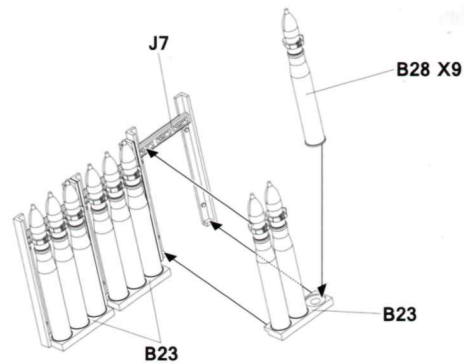




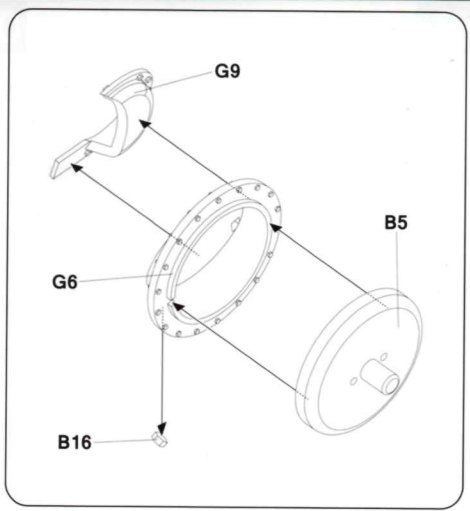
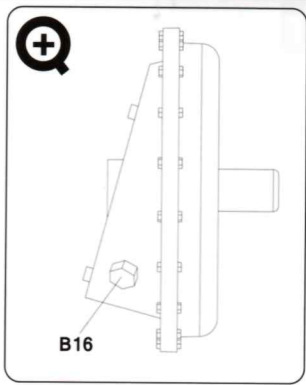
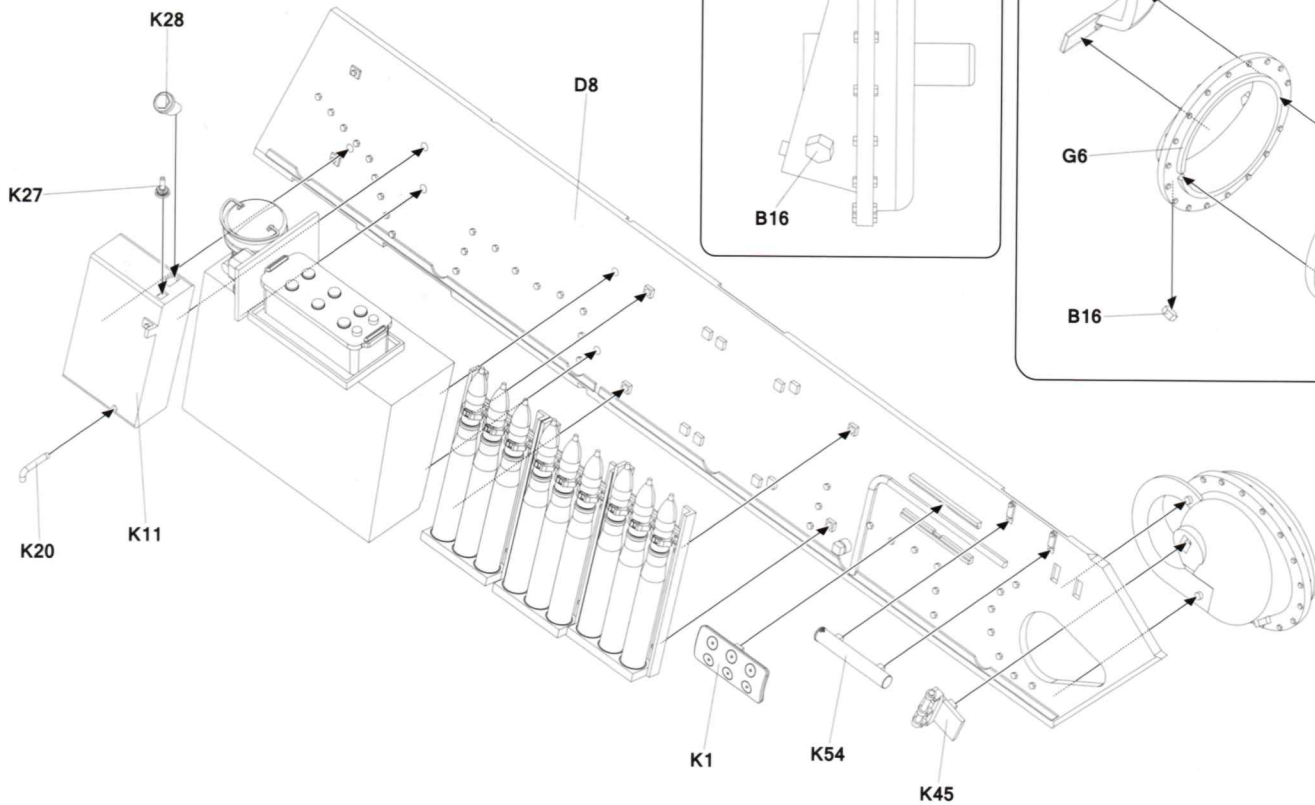
5



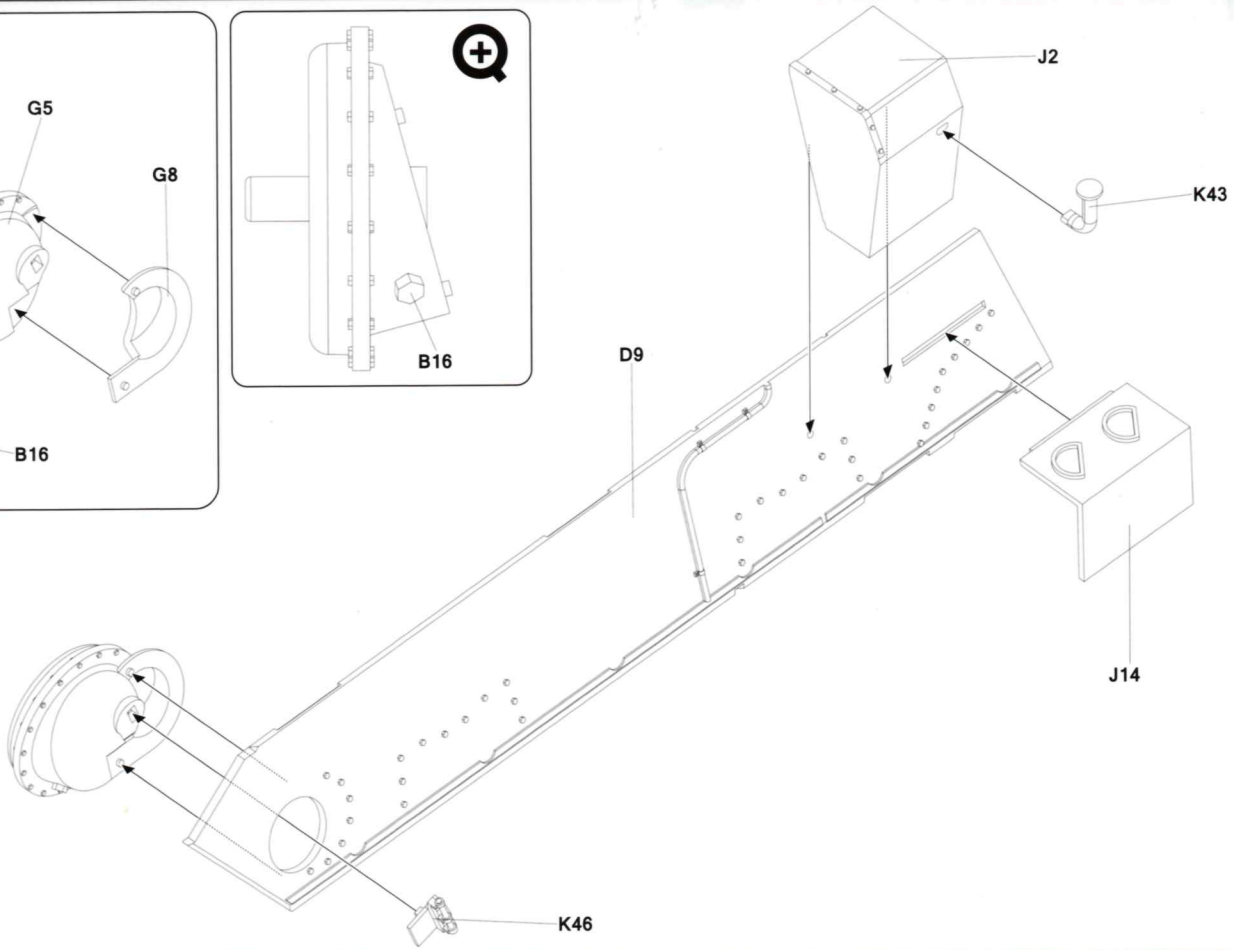
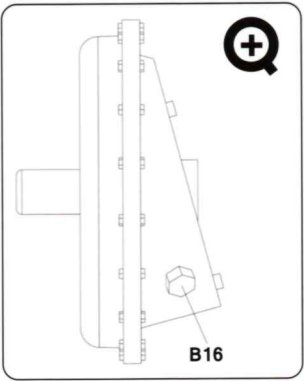
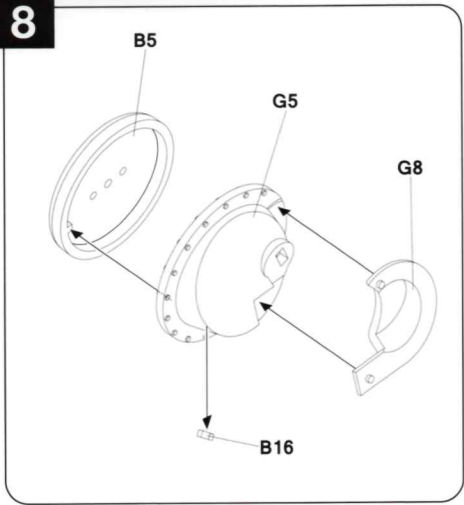
6





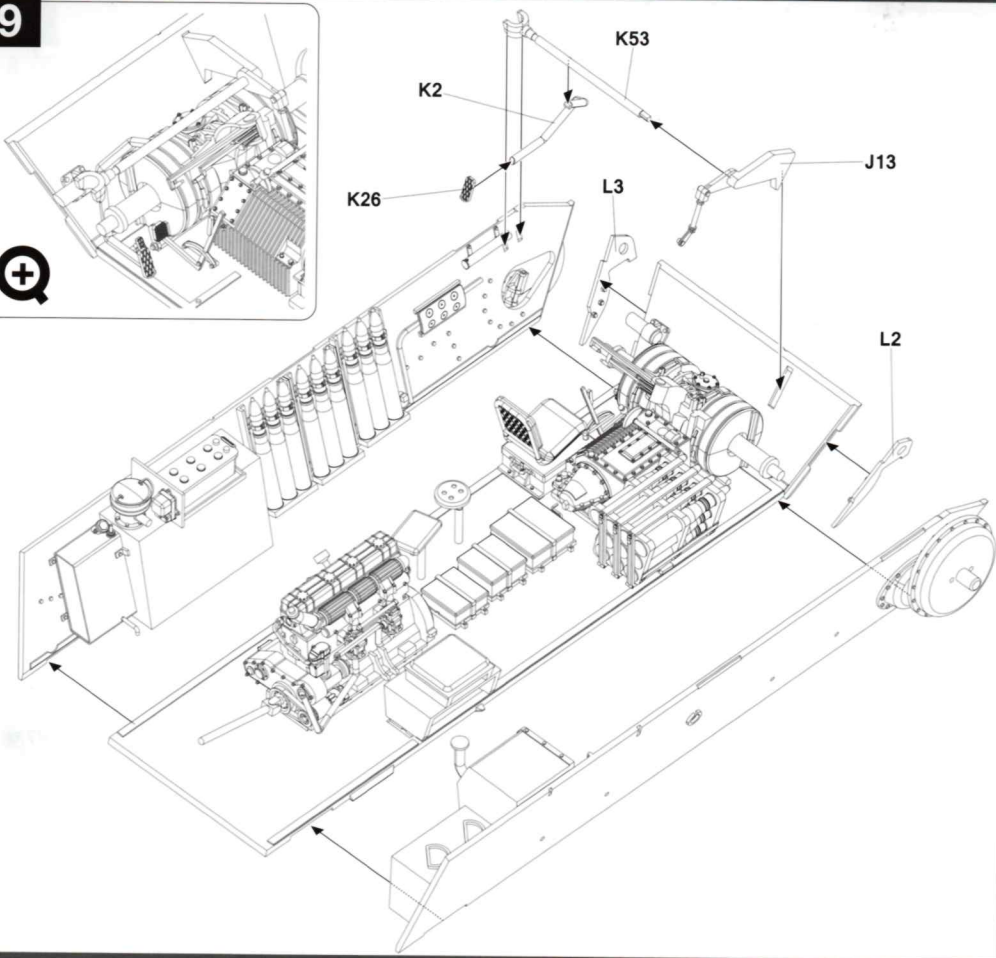


8

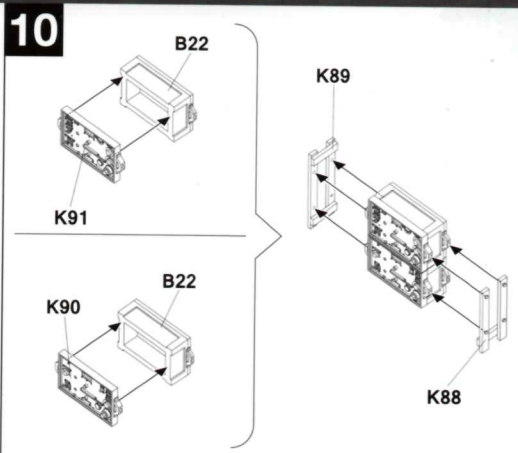


9

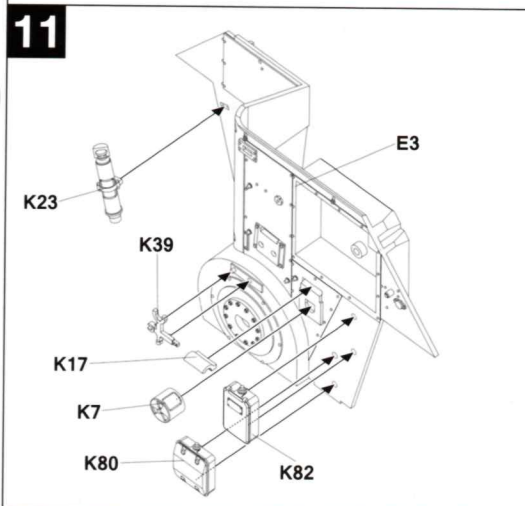
9



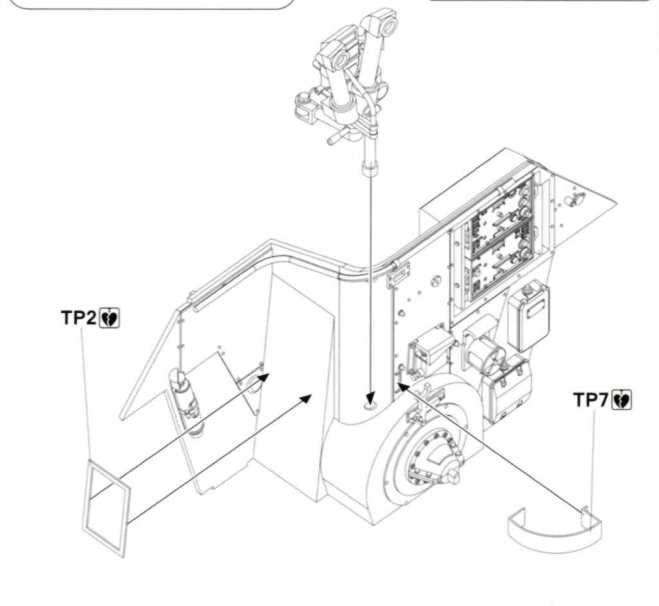
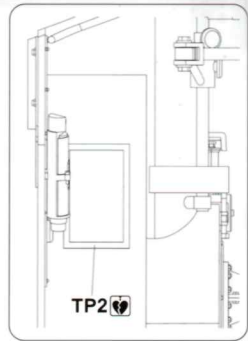
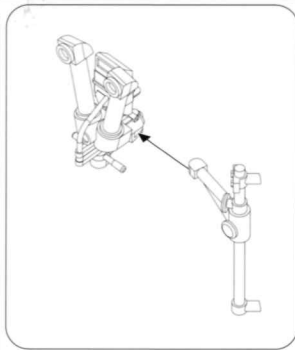
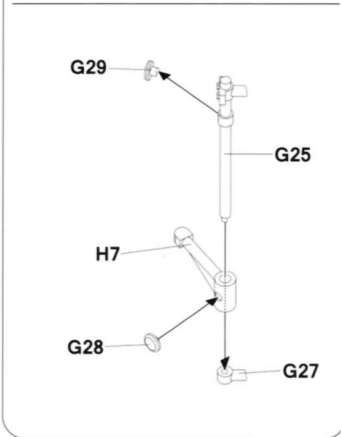
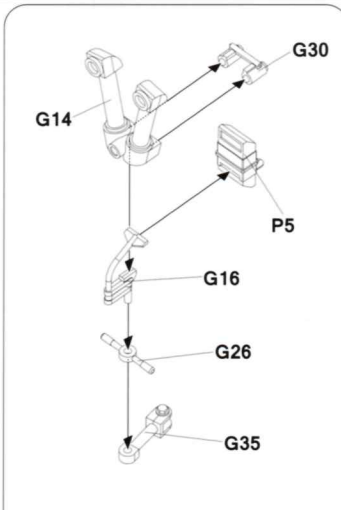
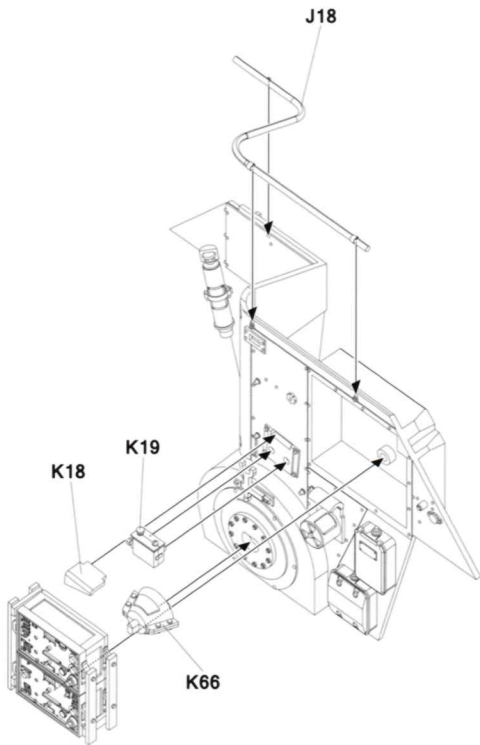
10



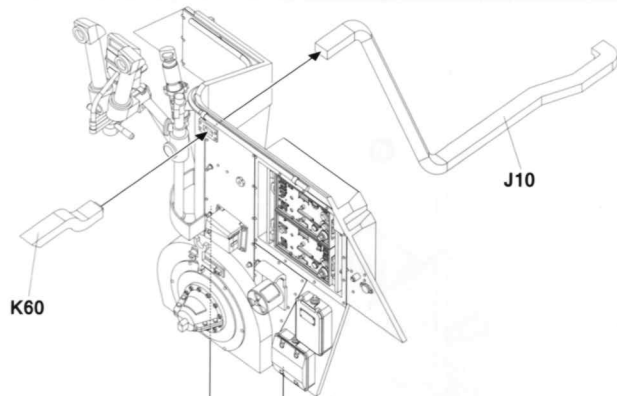
11



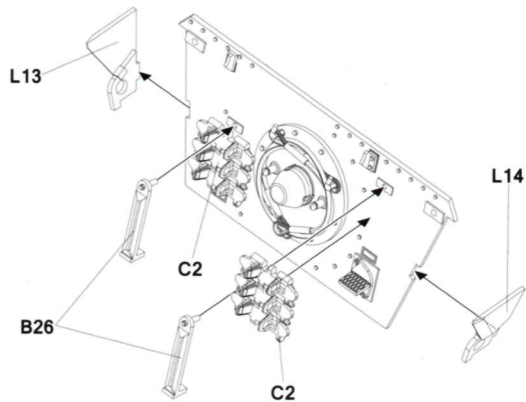
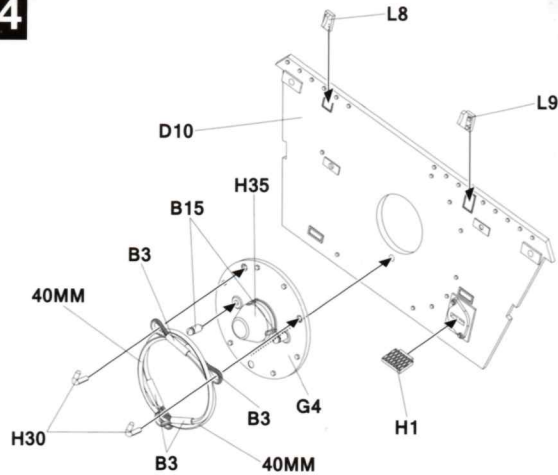
10

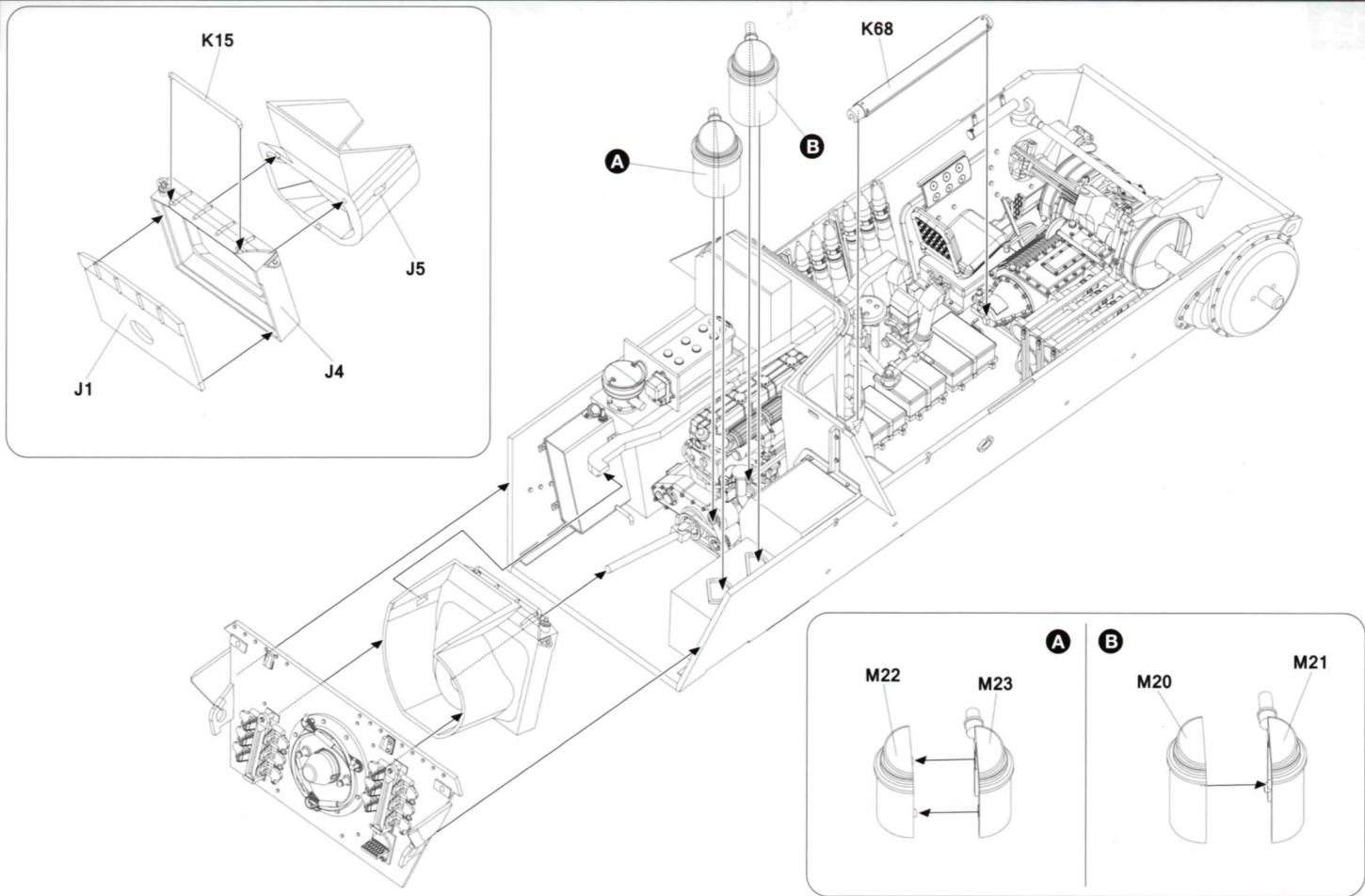


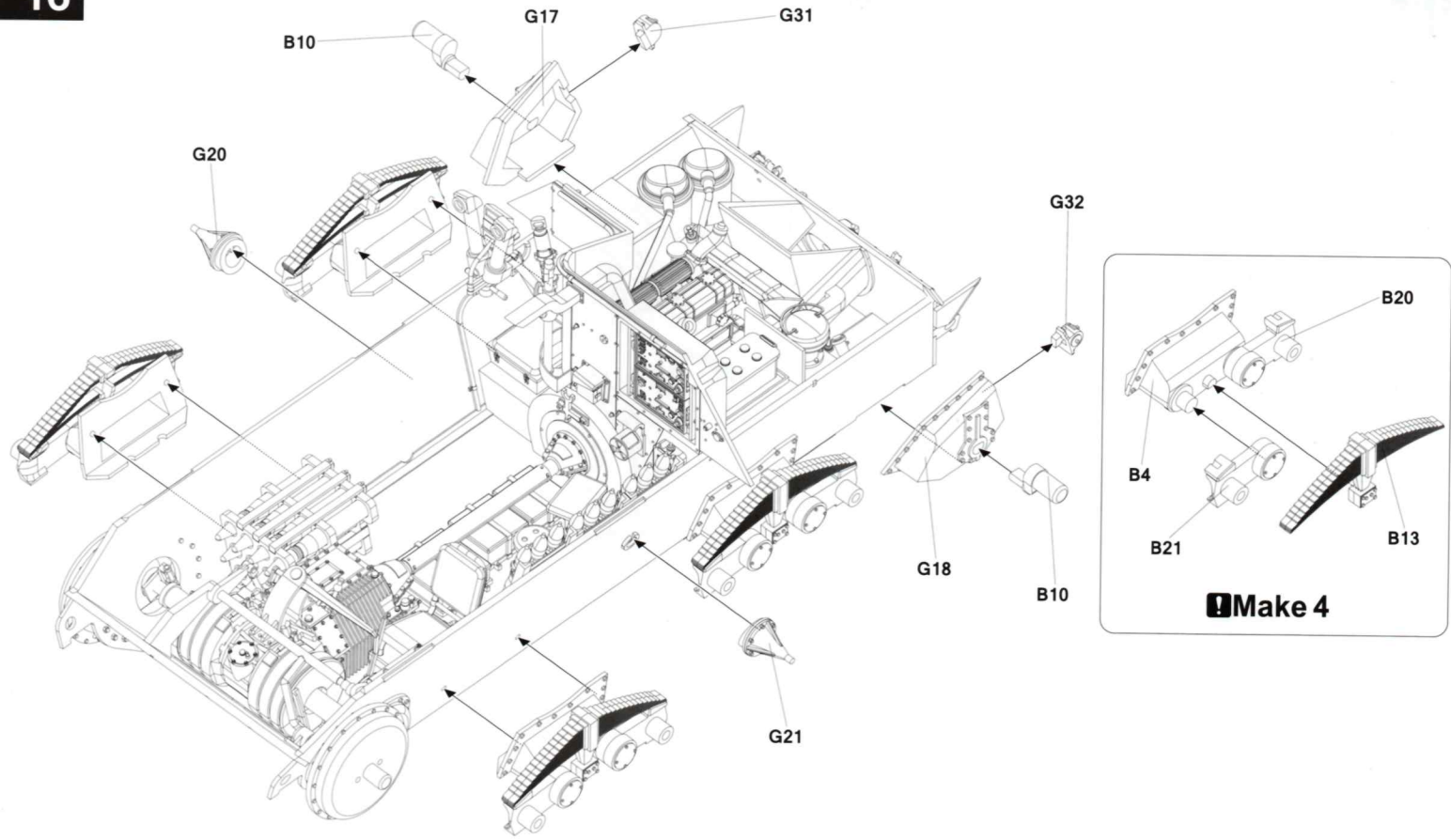
13

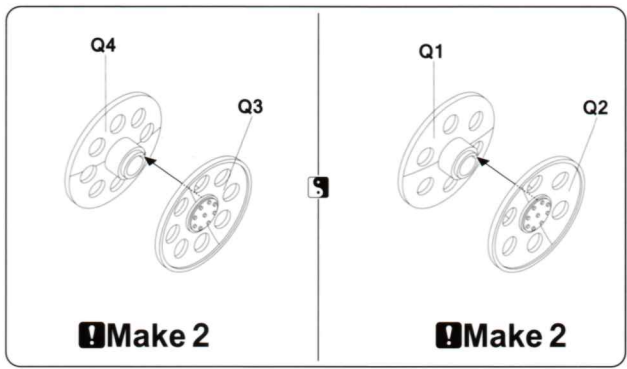
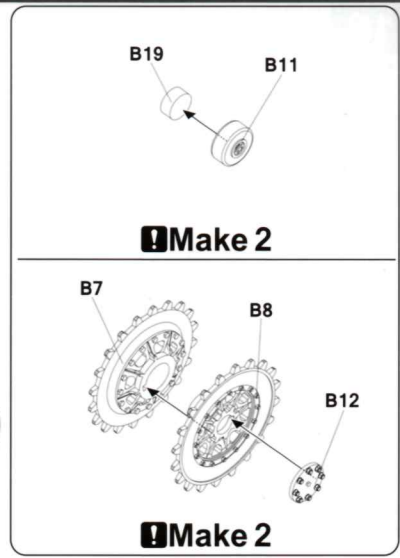
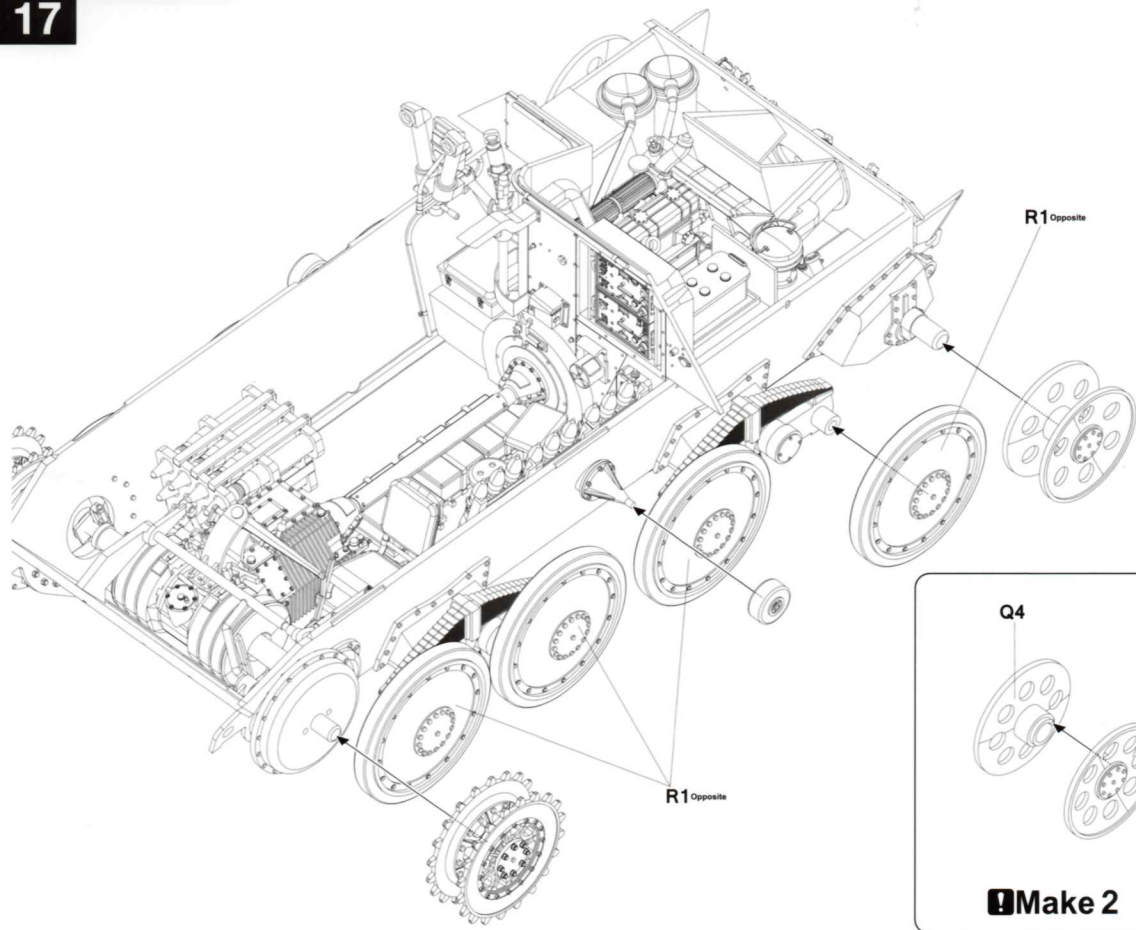


14

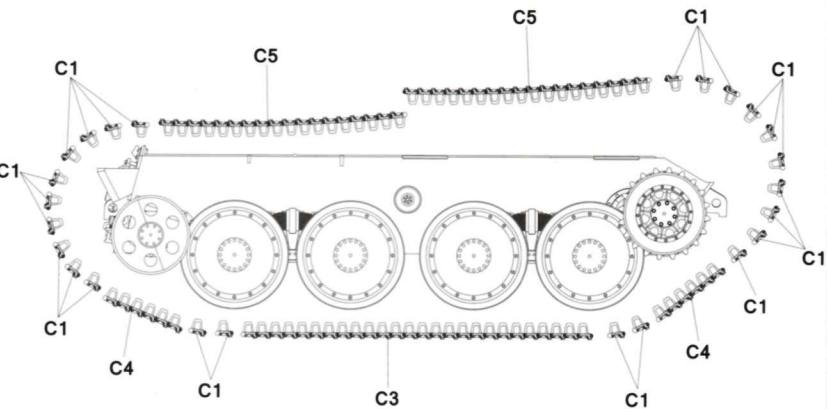
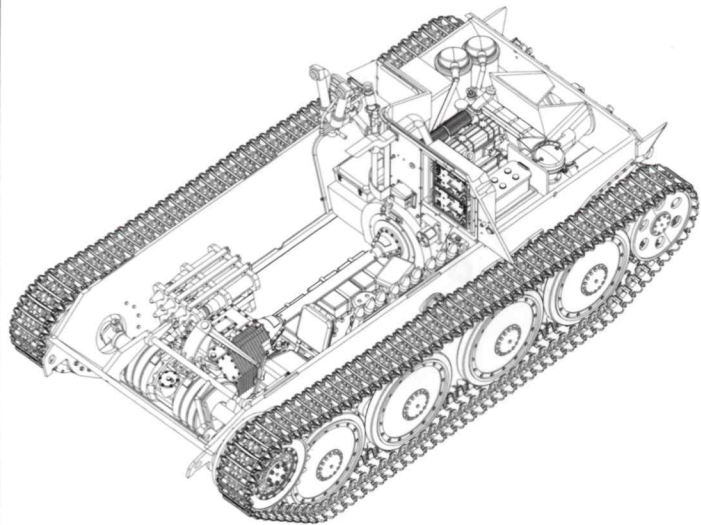
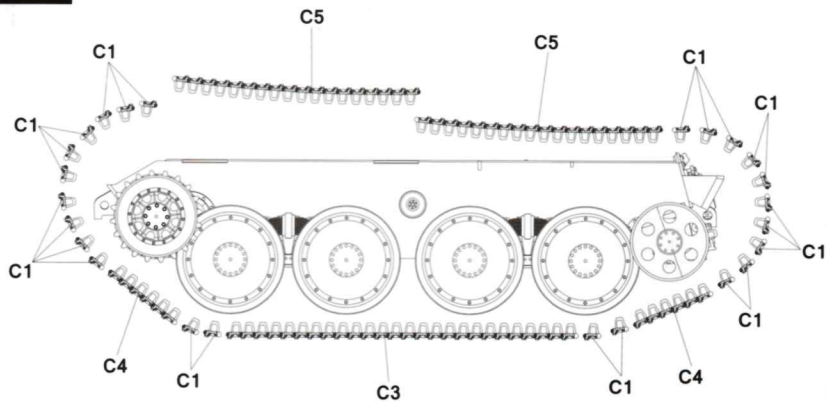


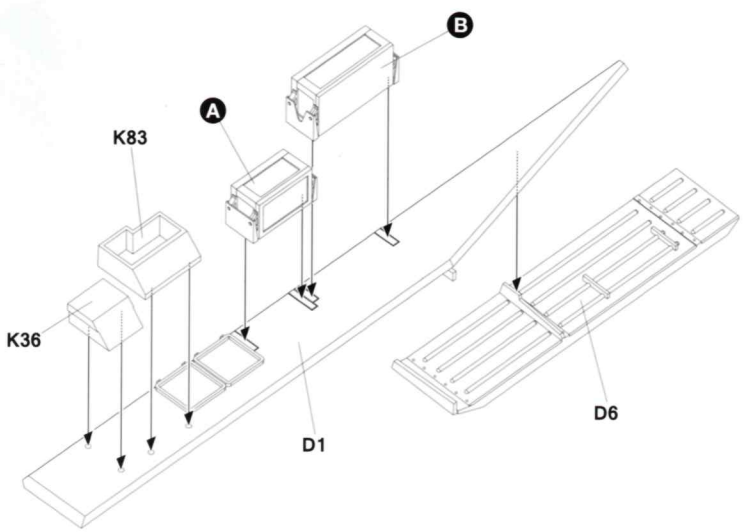
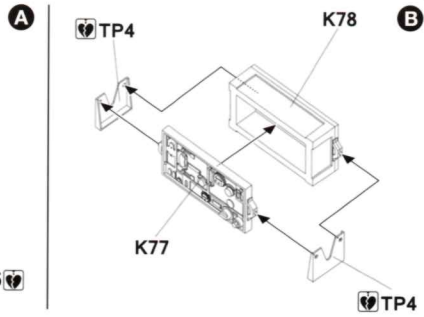
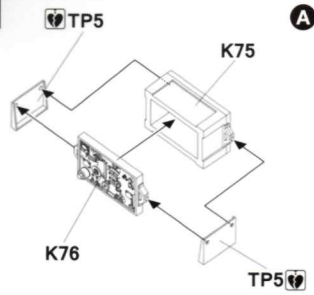
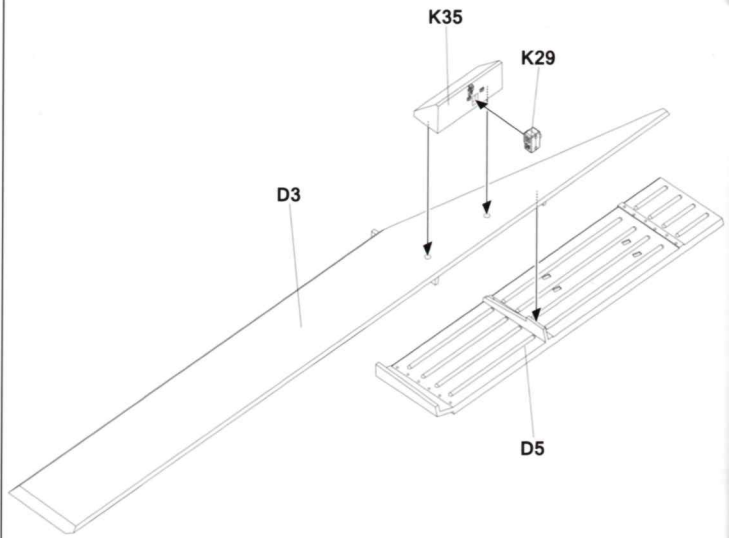


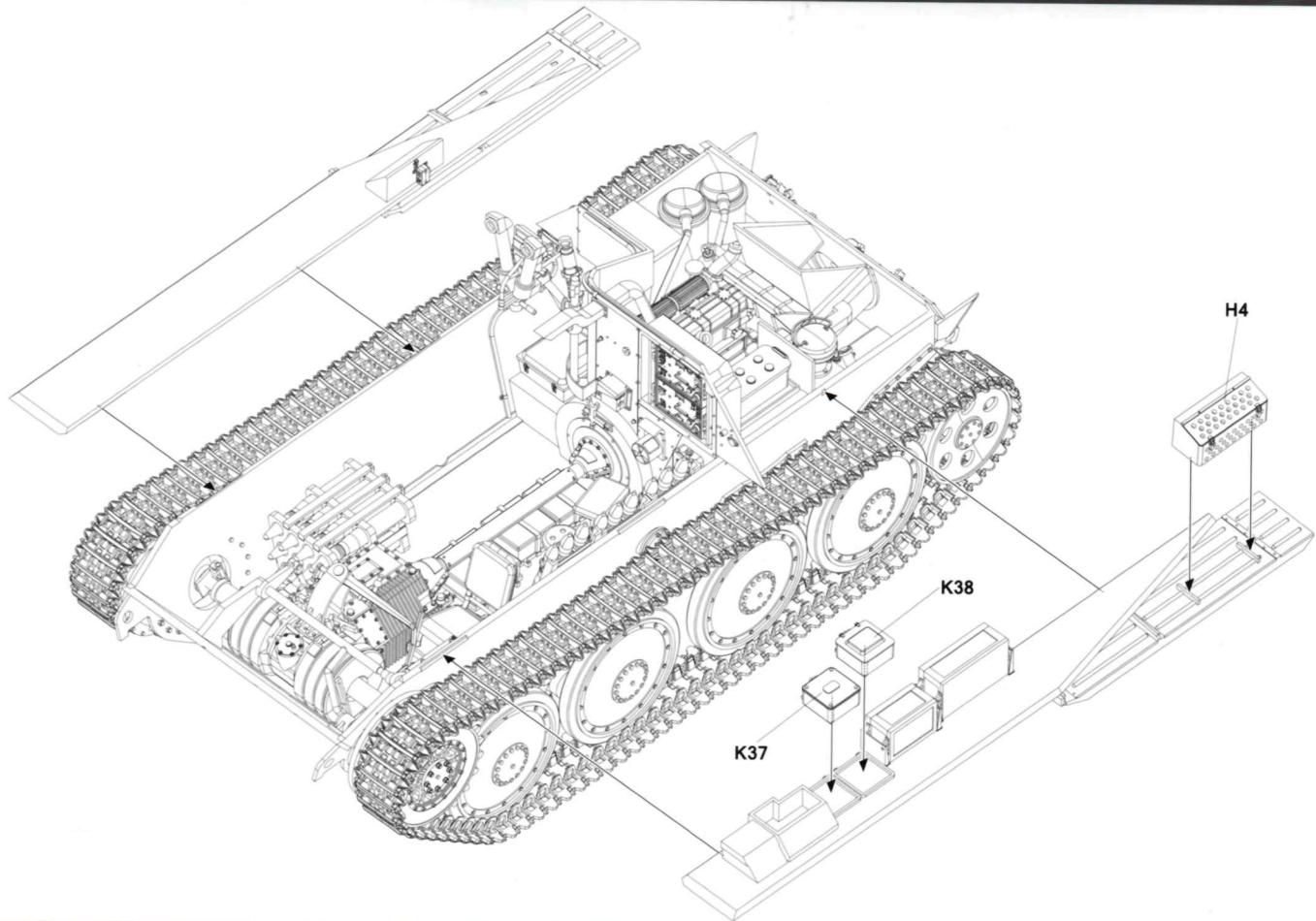


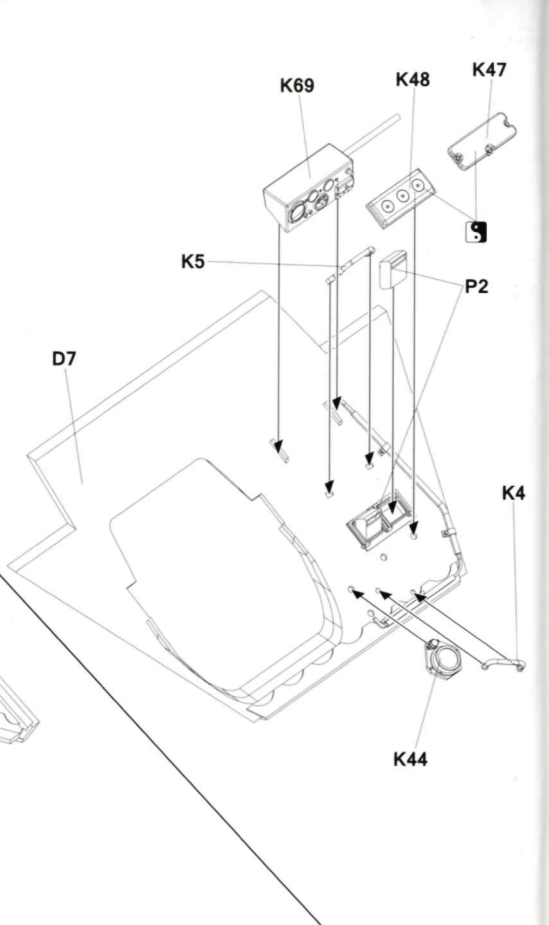
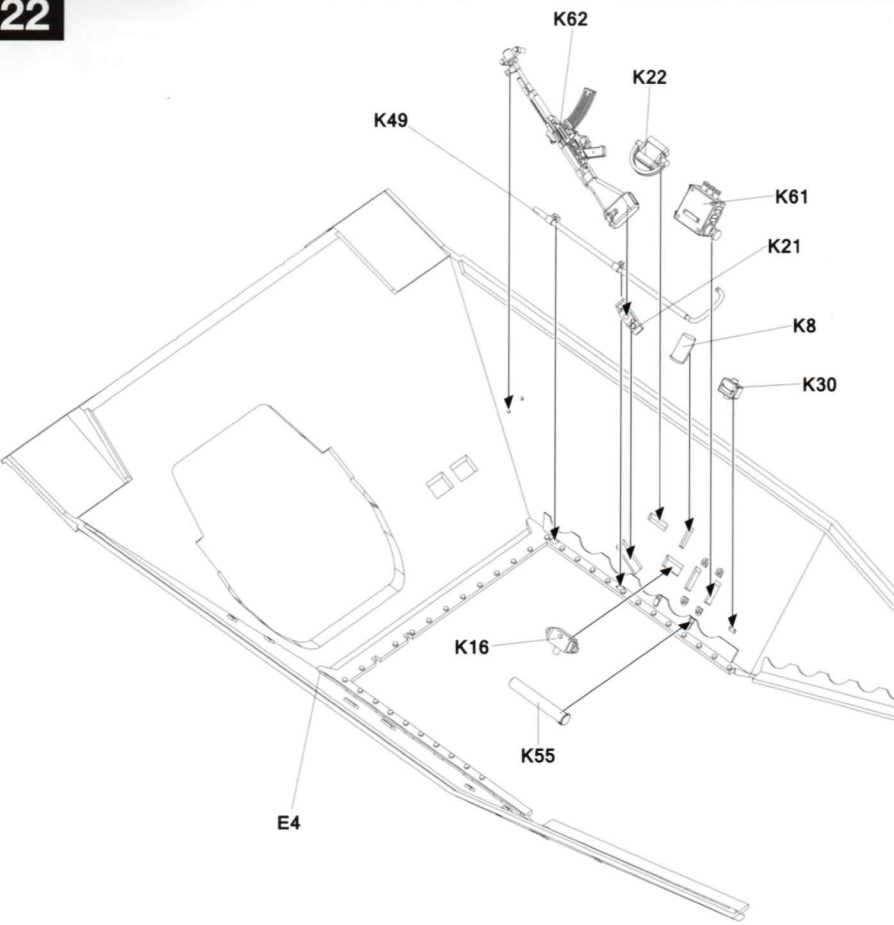


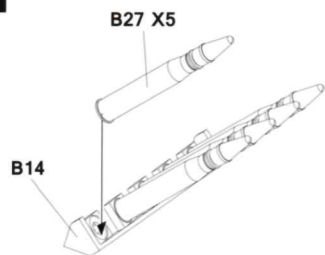




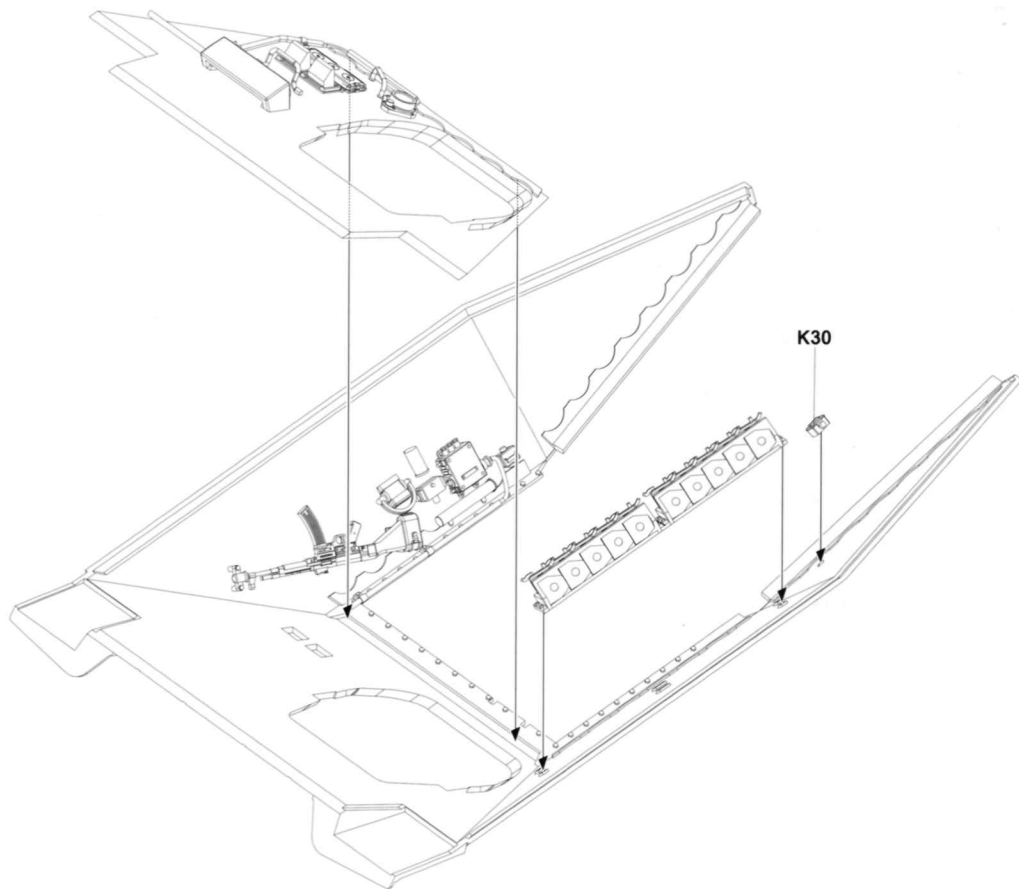
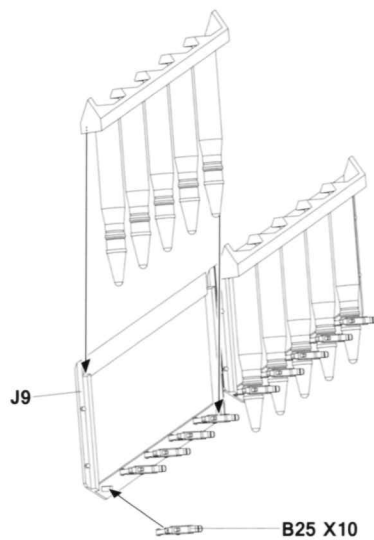
**19****20**



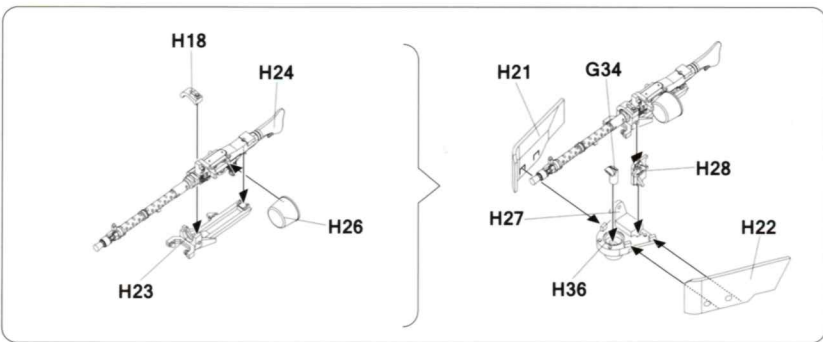
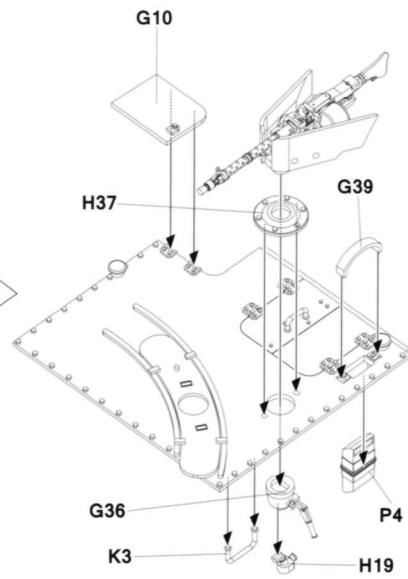
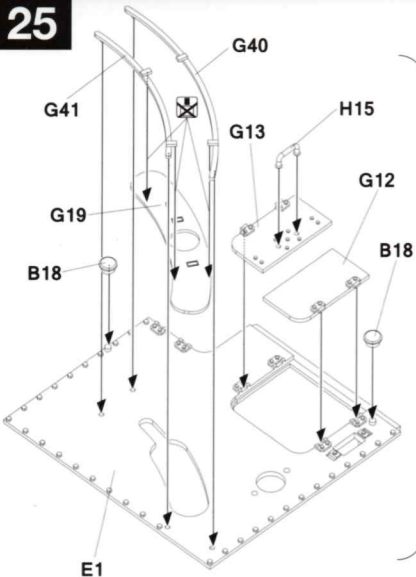




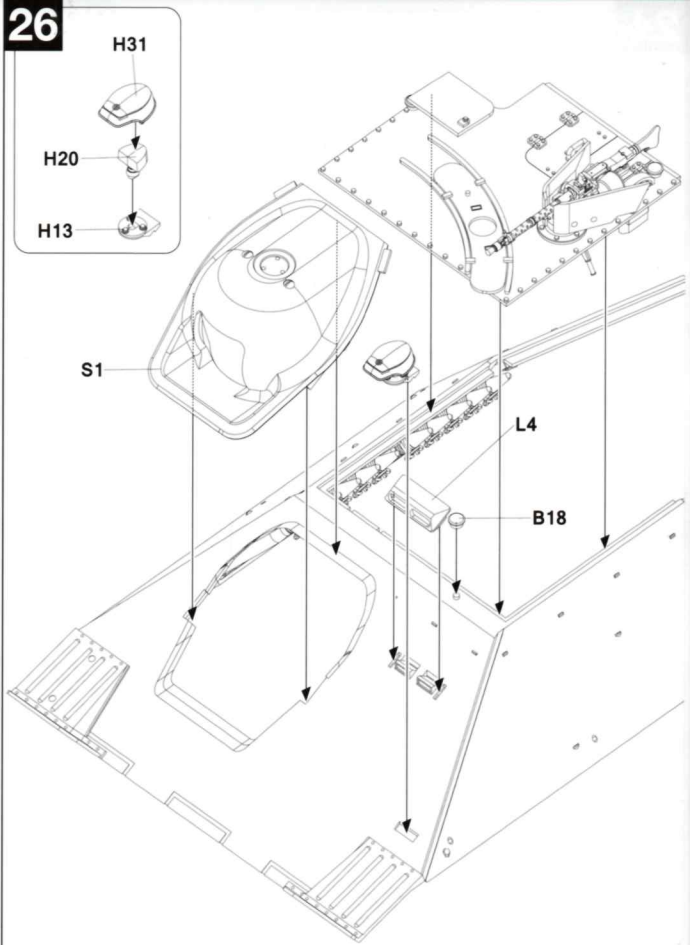
**Make 2**



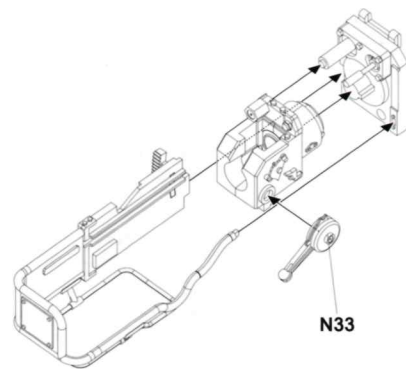
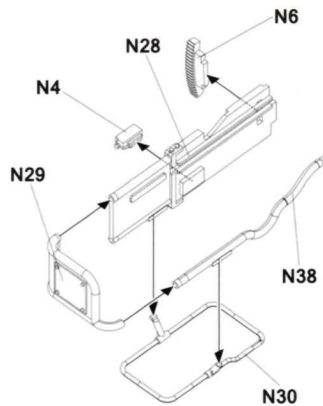
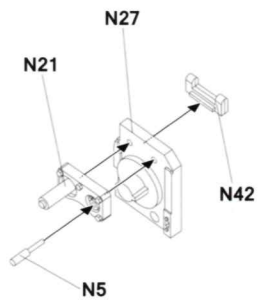
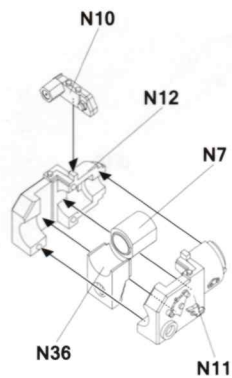
25



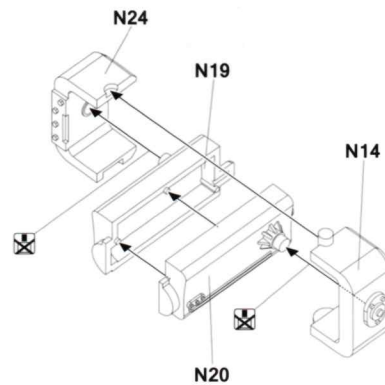
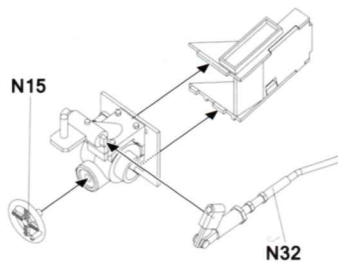
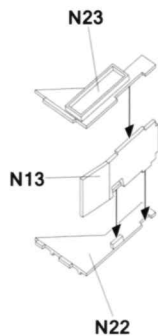
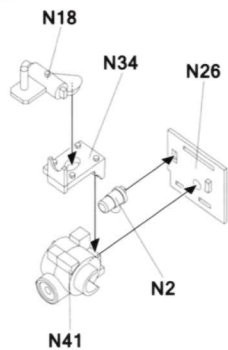
26

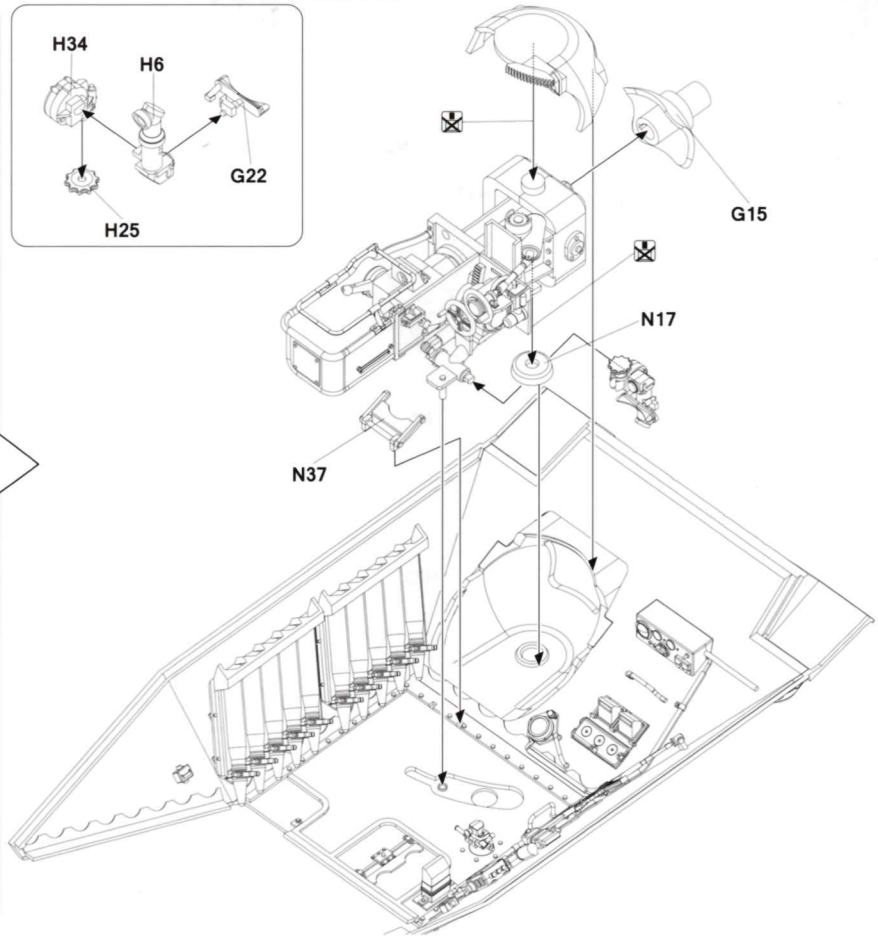
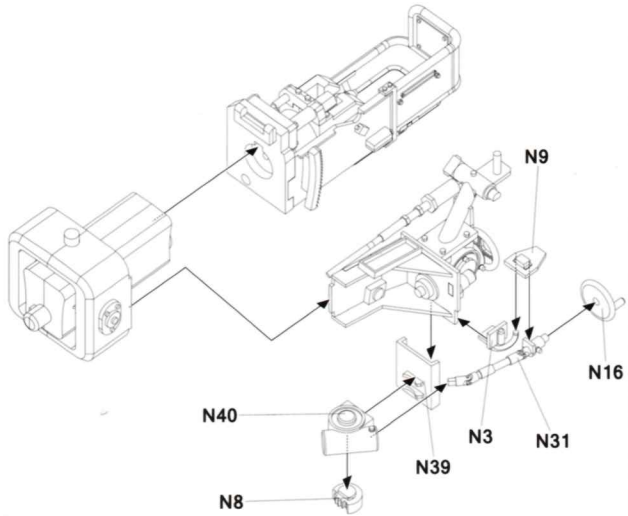
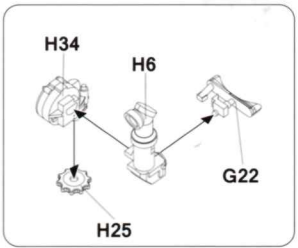
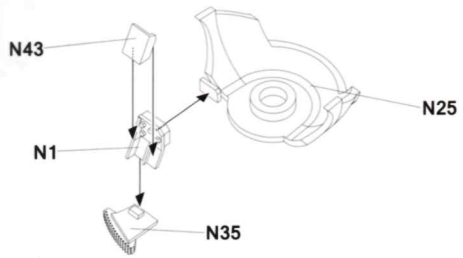


27



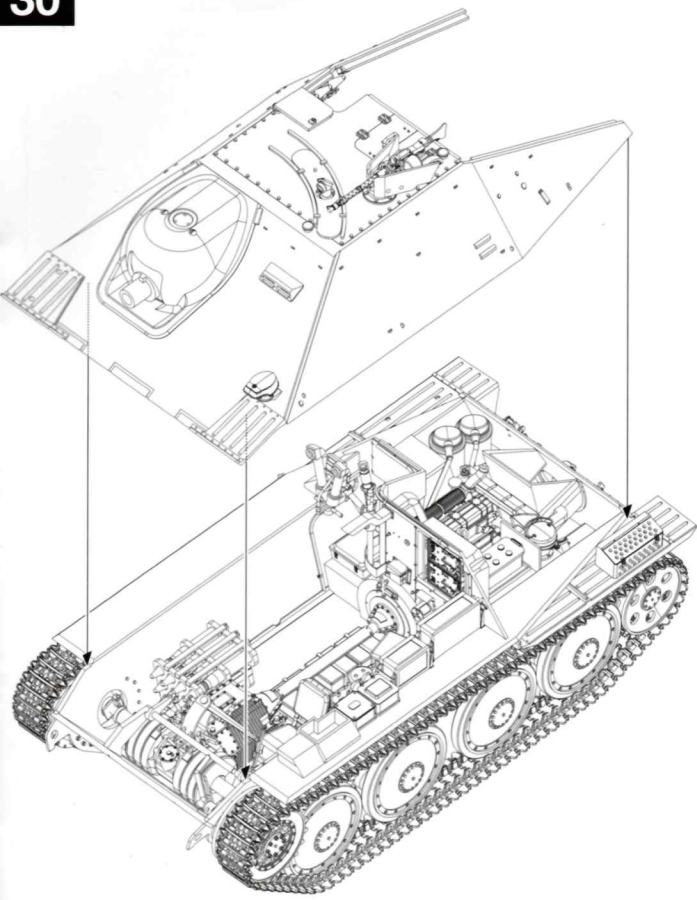
28



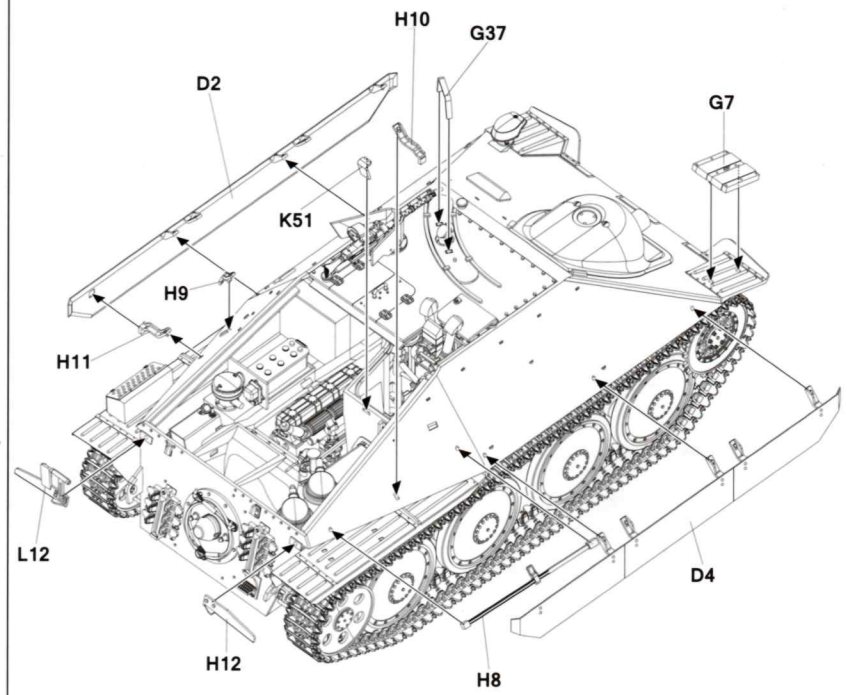


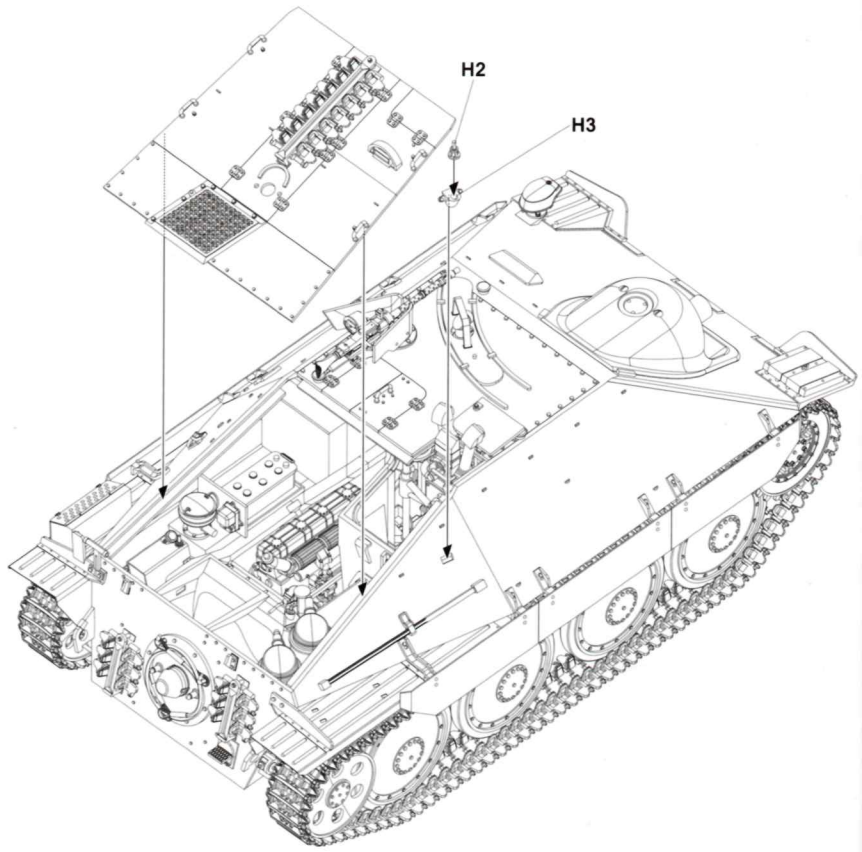
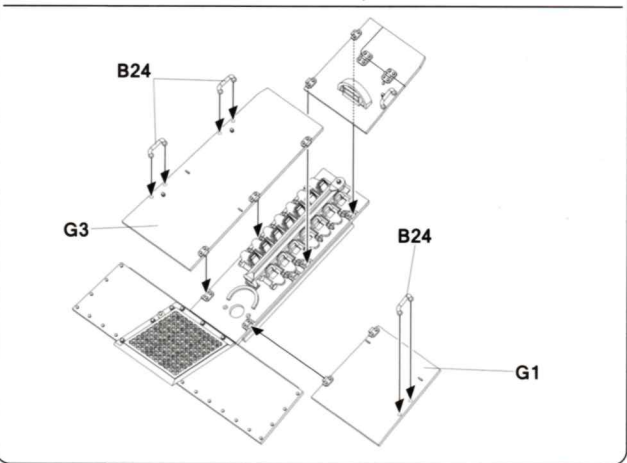
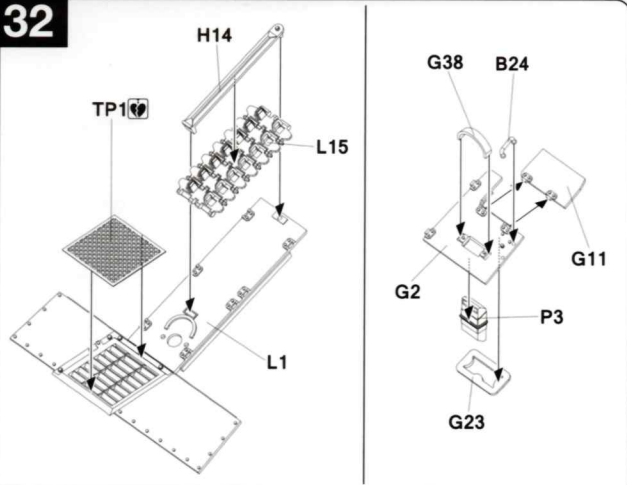


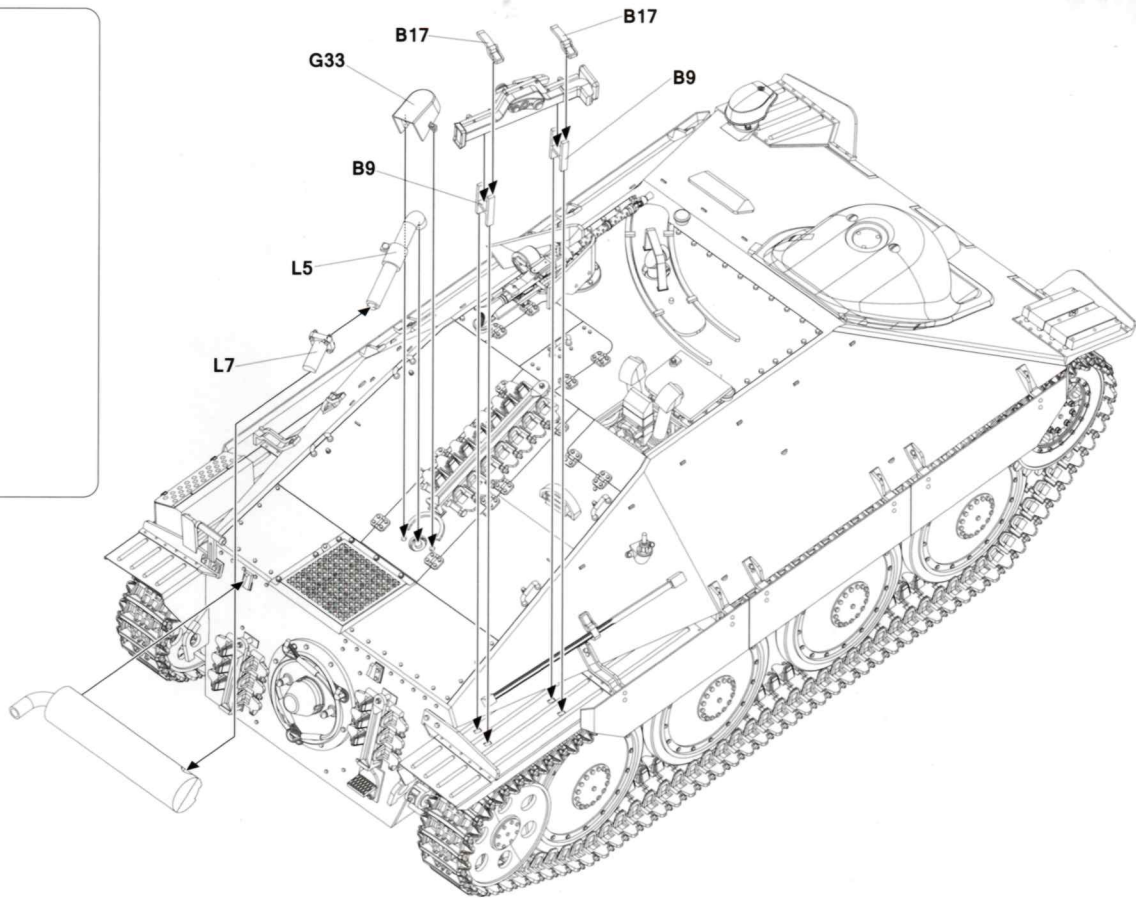
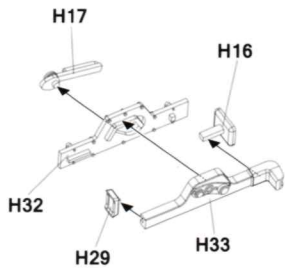
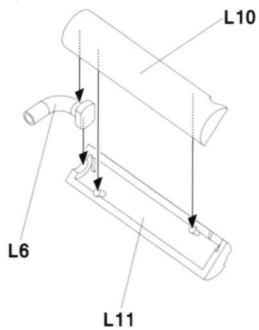
30

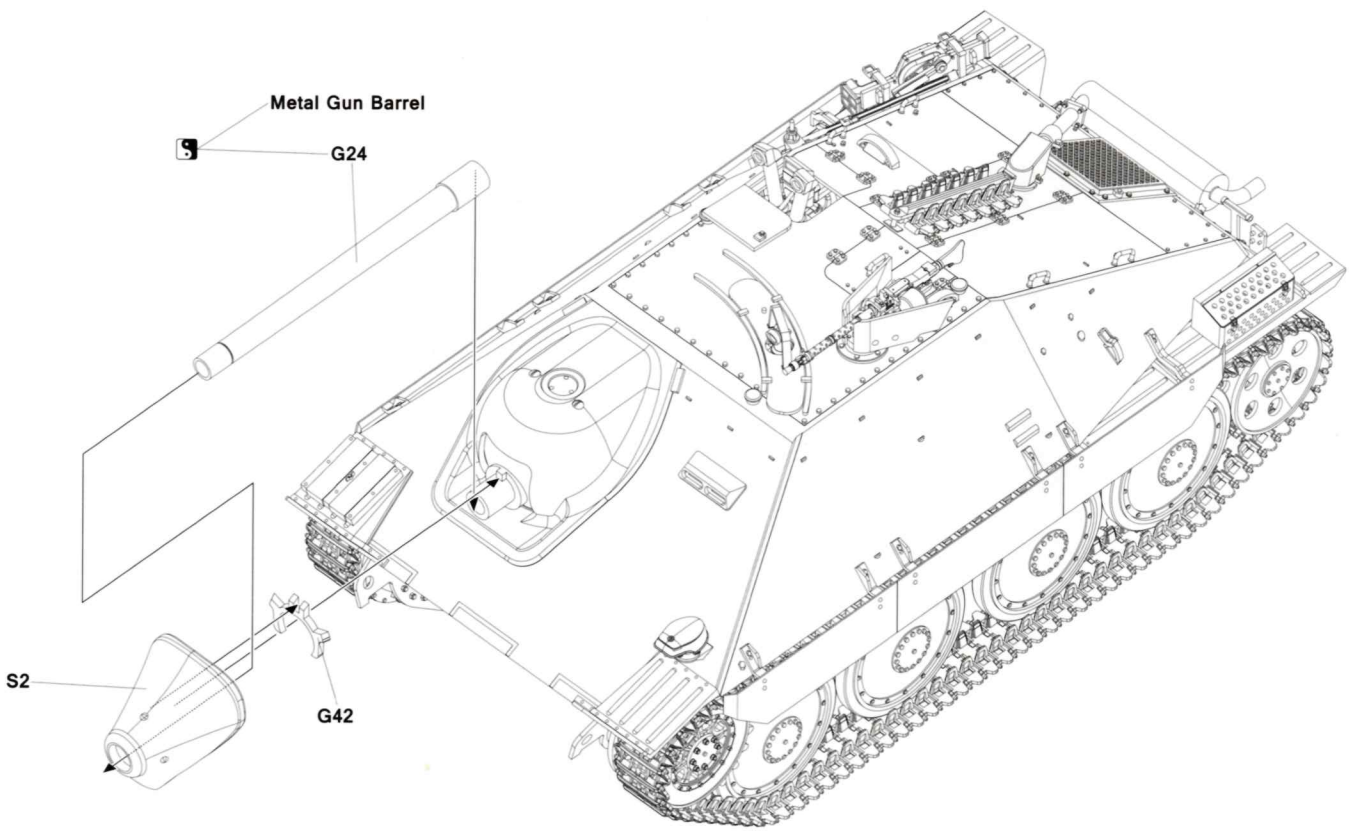


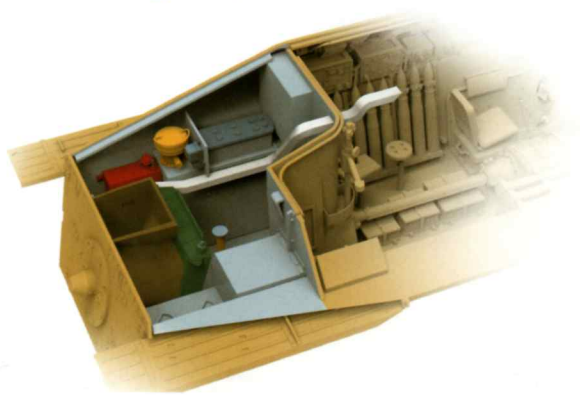
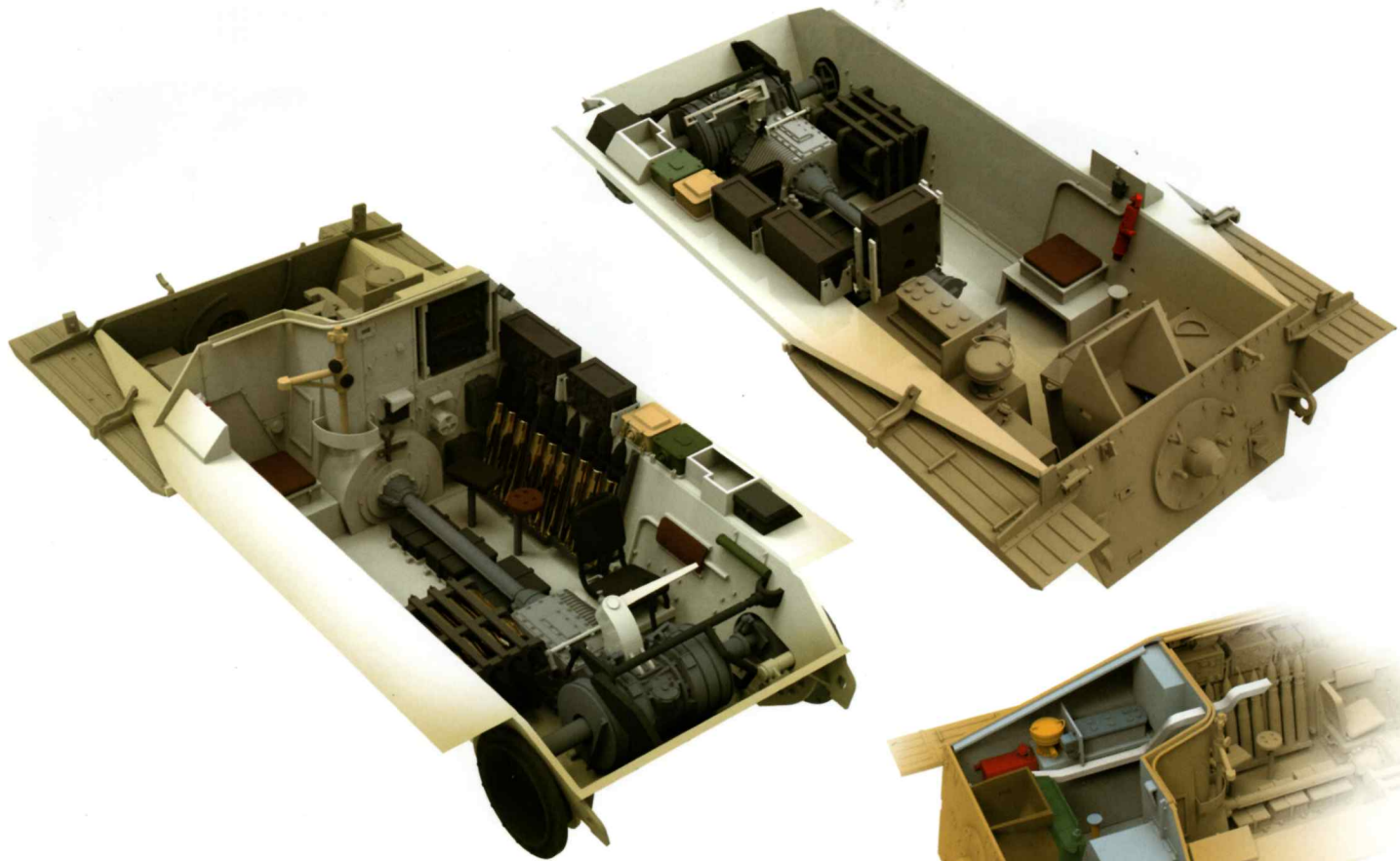
31

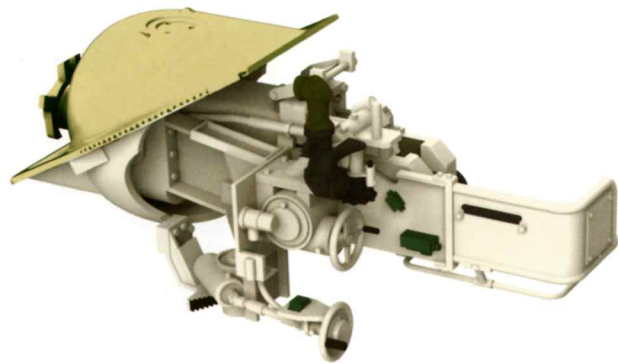
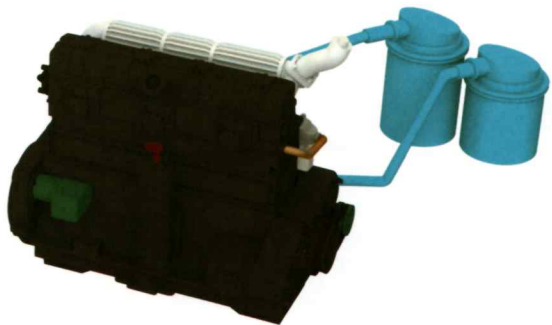
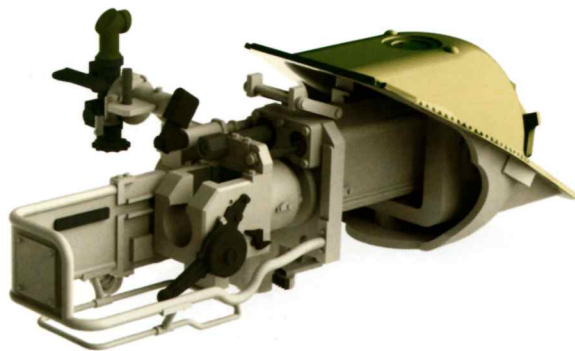


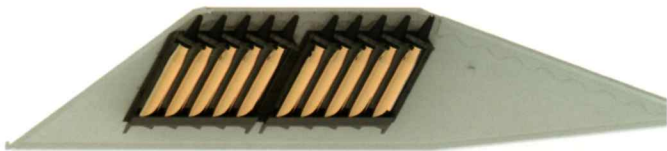
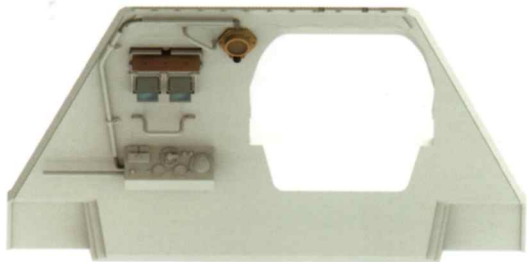
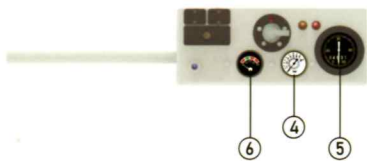
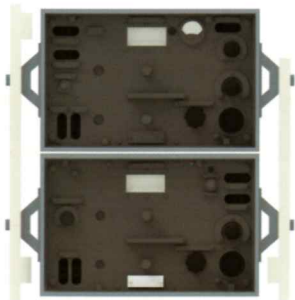












03.03.2171



TAKOM

# Jagdpanzer 38(t) Hetzer

MID PRODUCTION

03.03.2171



TAKOM

# Jagdpanzer 38(t) Hetzer

MID PRODUCTION

Painting and Marking Guide

TAKOM № 2171

Panzer Jäger Kompanie 1708, 708,  
Volkgewerke-Division, Halloville,  
France, November 1944.



Painting and Marking Guide

TAKOM № 2171

BMM Werke, Czechoslovakia,  
September 1944





# Jagdpanzer 38(t) Hetzer

MID PRODUCTION

Painting and Marking Guide

TAKOM N° 2171

Germany, November 1944



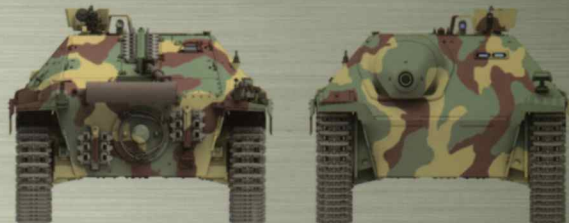
# Jagdpanzer 38(t) Hetzer

MID PRODUCTION

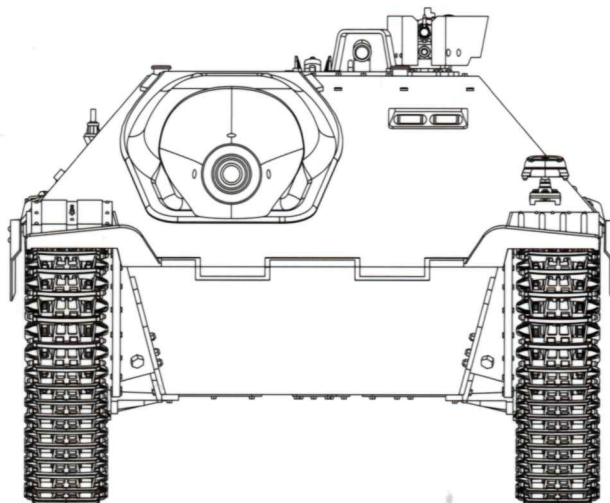
Painting and Marking Guide

TAKOM N° 2171

ROA (Russian Liberation Army) Detachment,  
Prague, May 1945



2023/2171



You can find TAKOM on Facebook.com