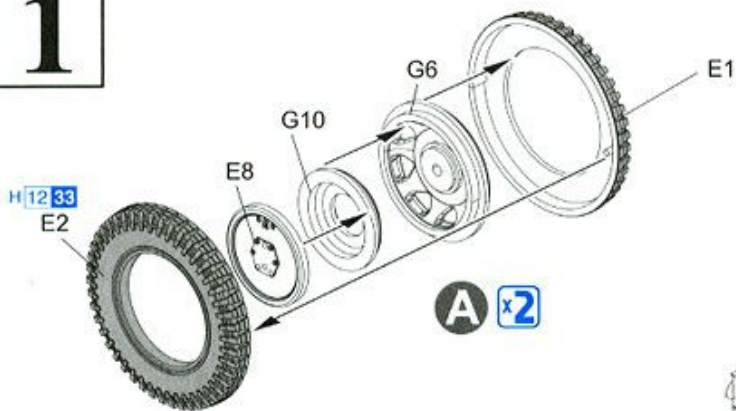
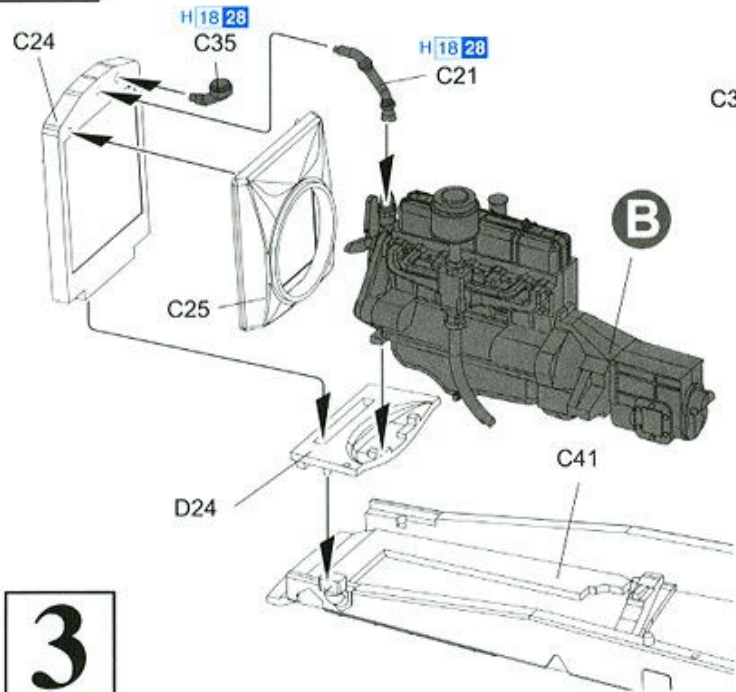


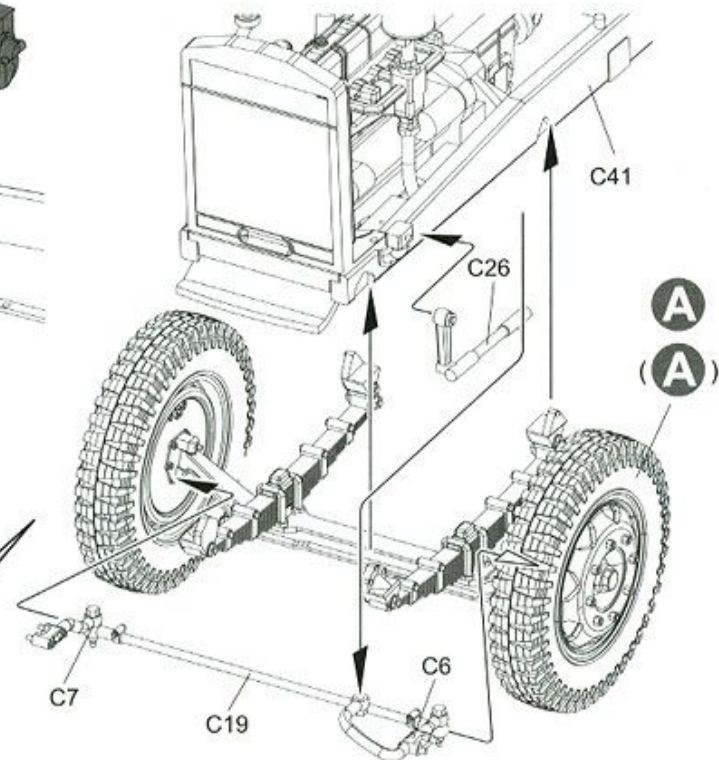
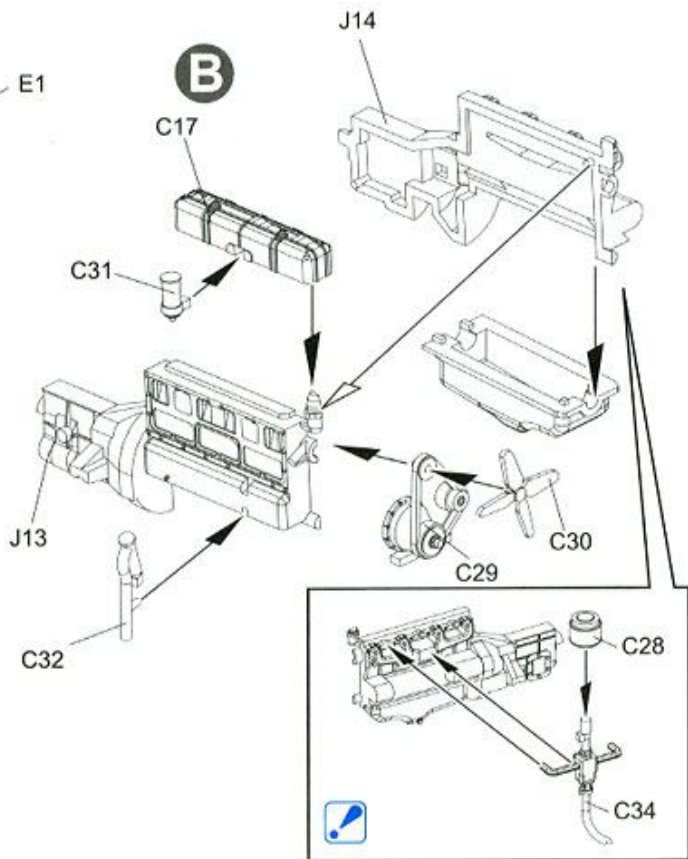
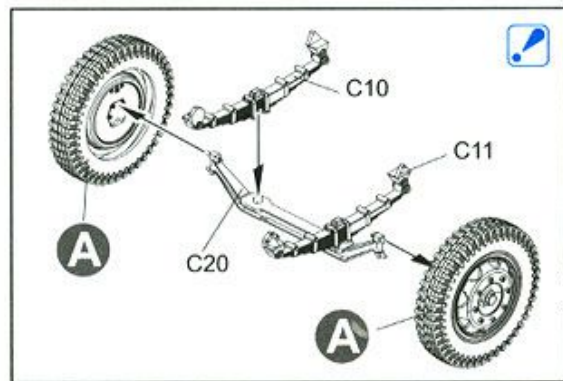
1



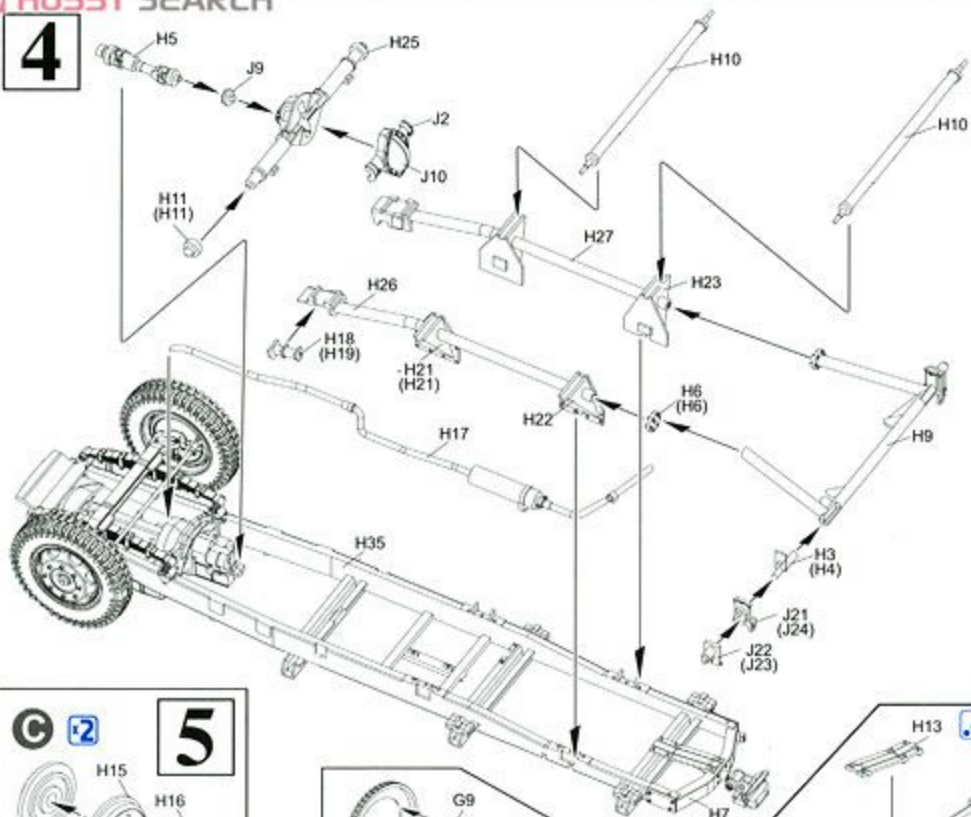
2



3



4



C 2 5

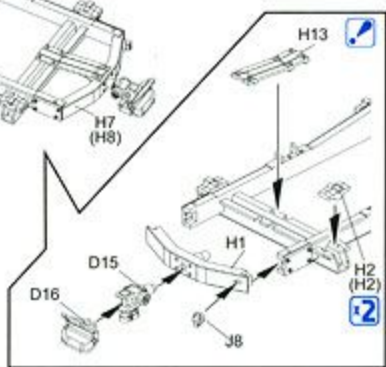
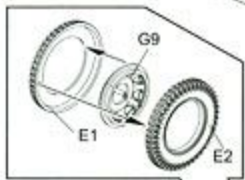
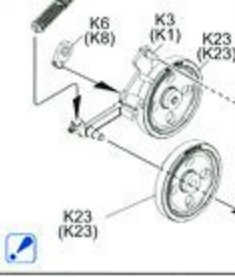


D 2

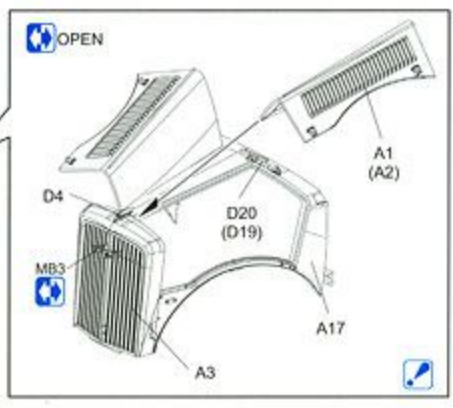
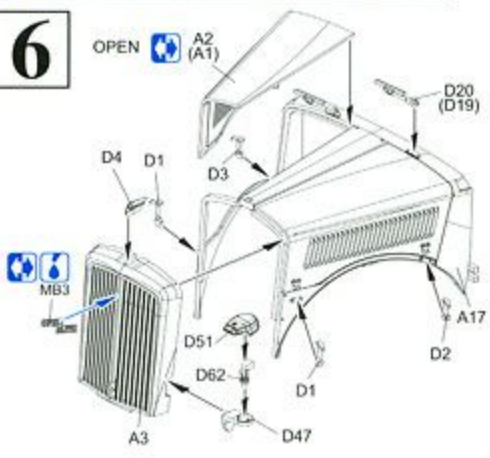


E 2

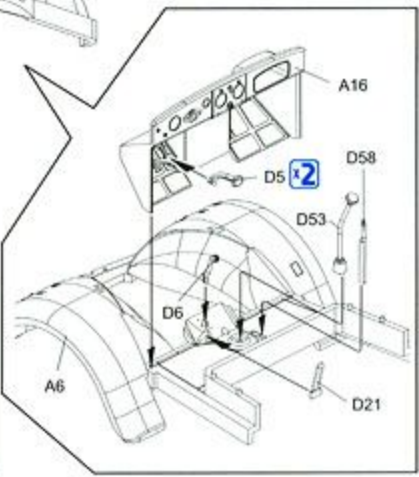
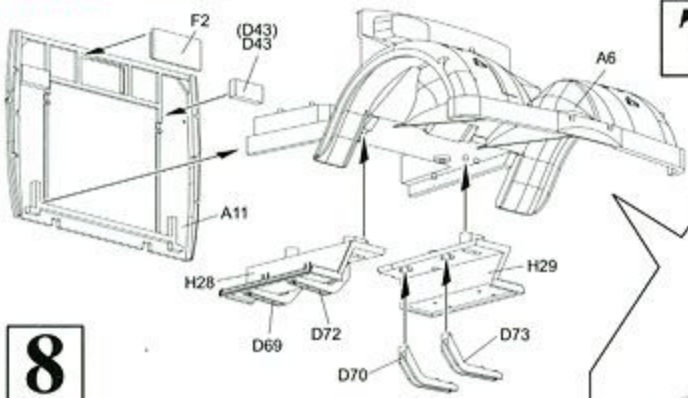
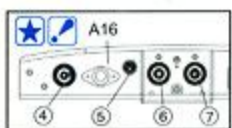
F K9 (K9)



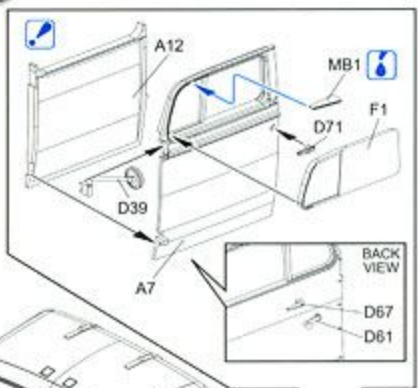
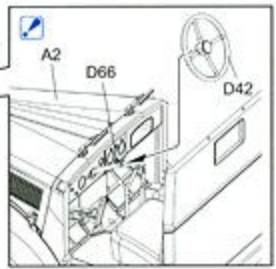
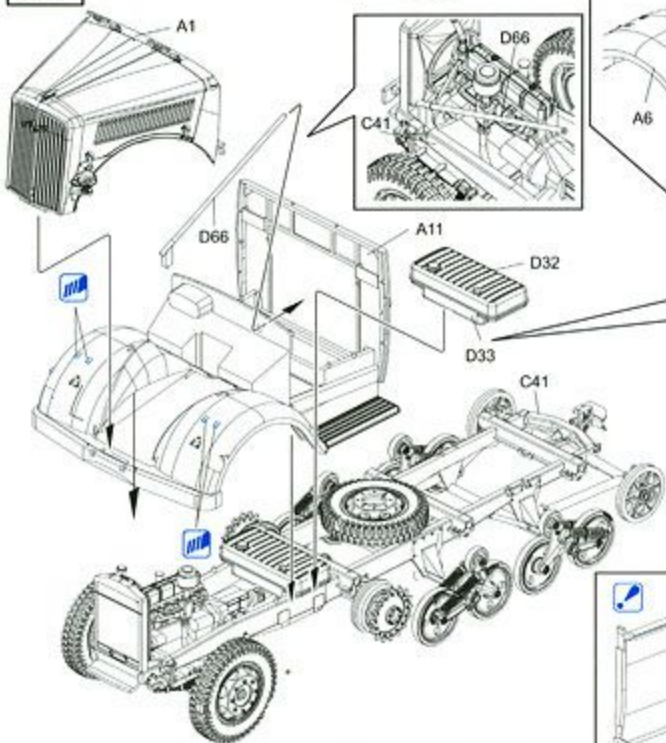
6



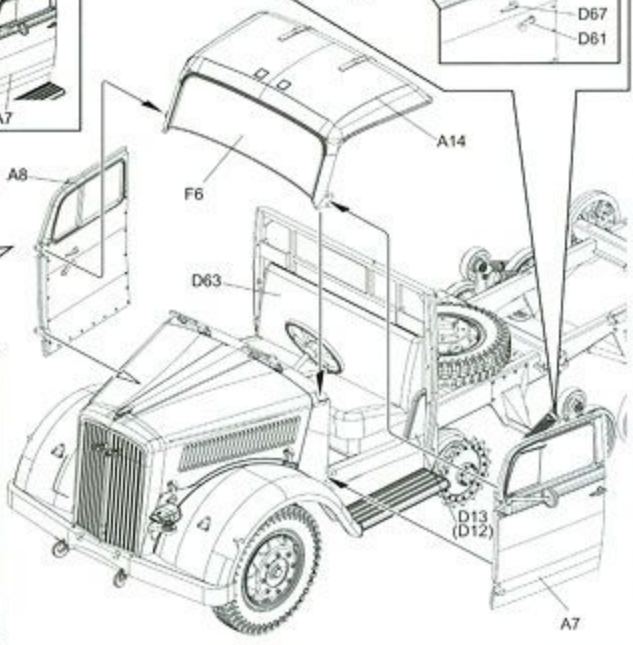
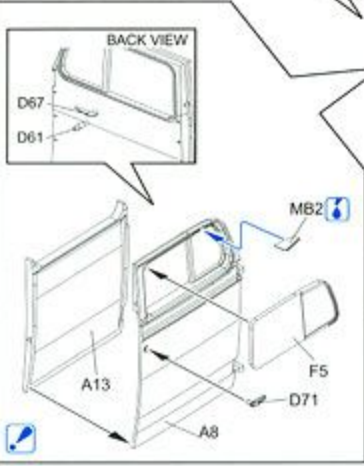
7



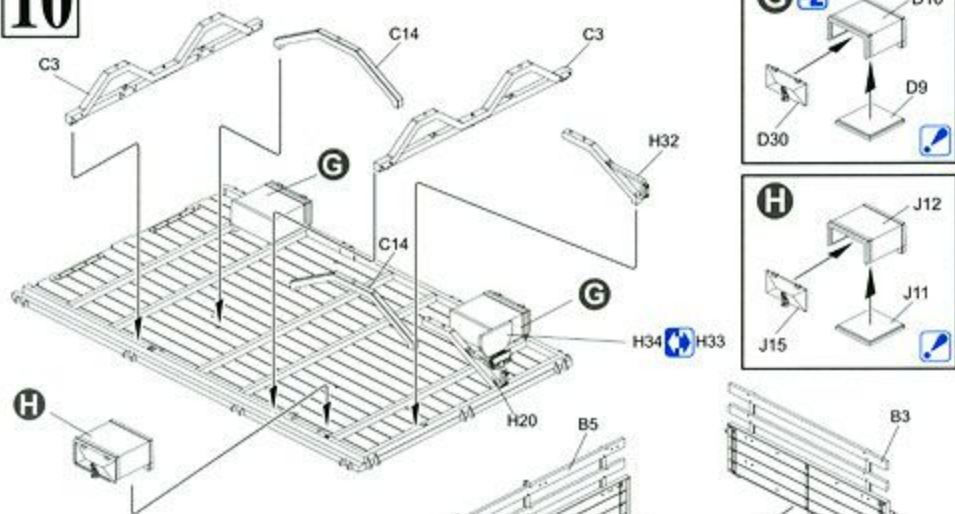
8



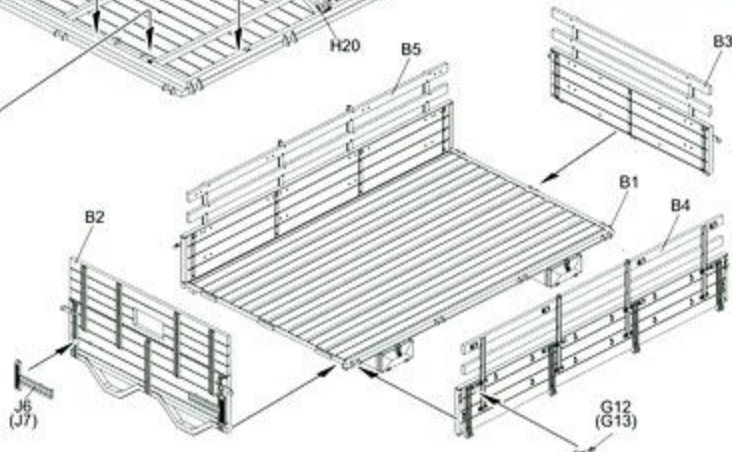
9



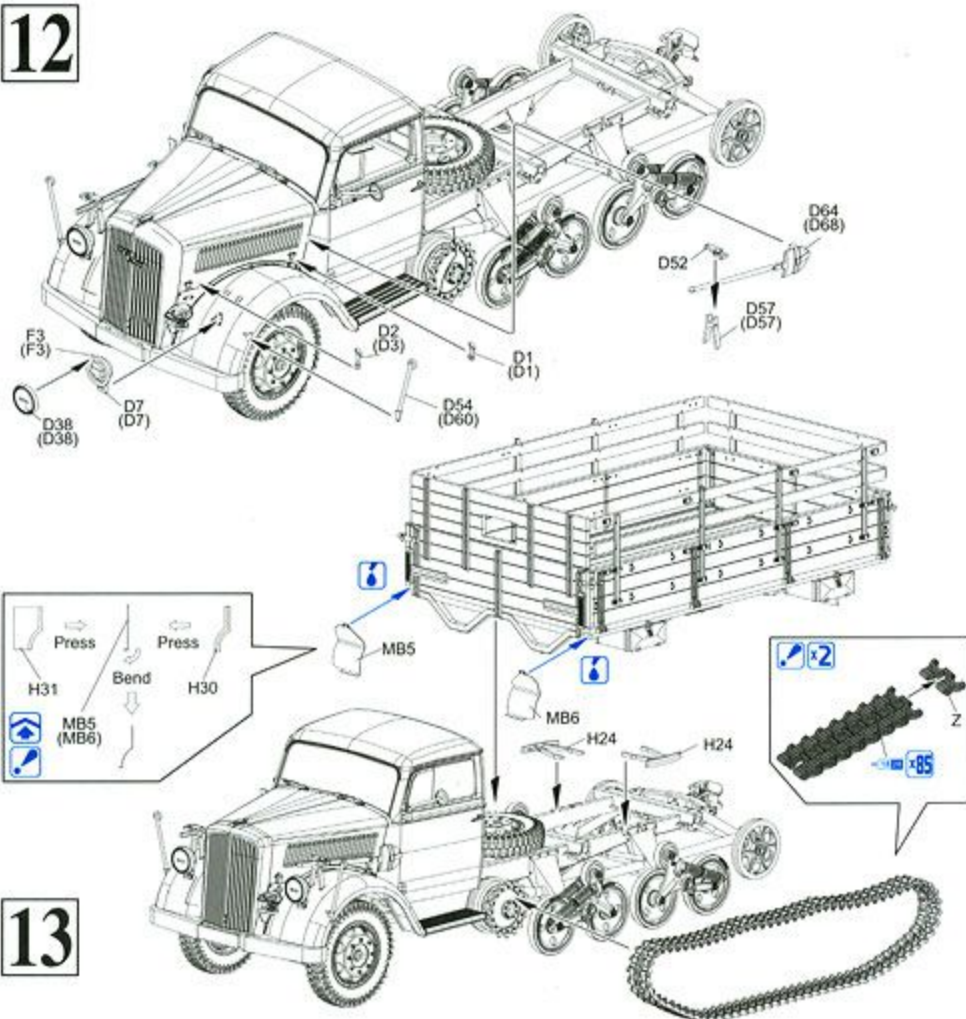
10



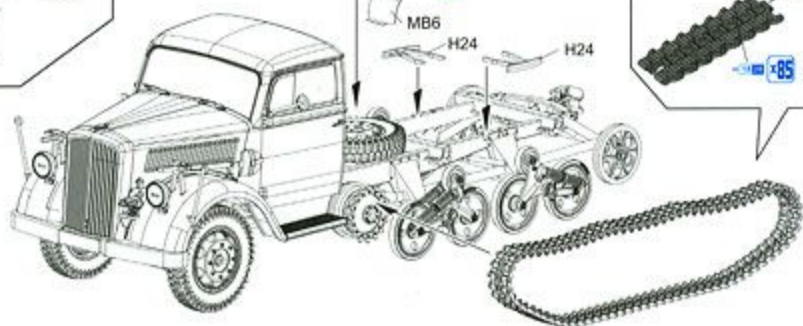
11

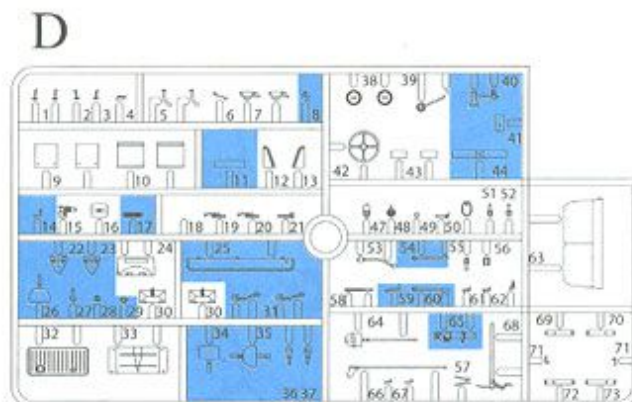
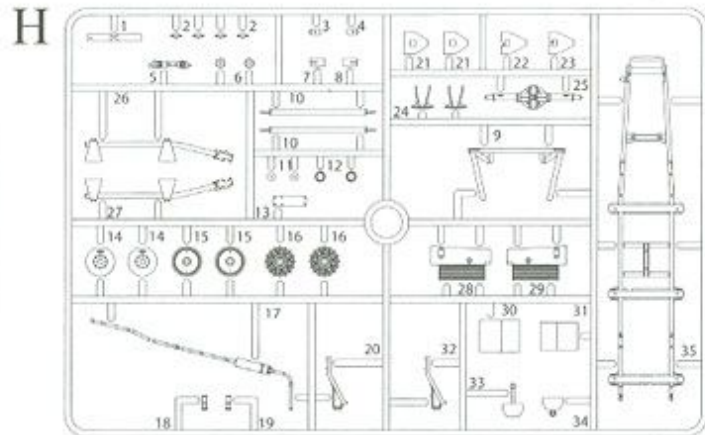
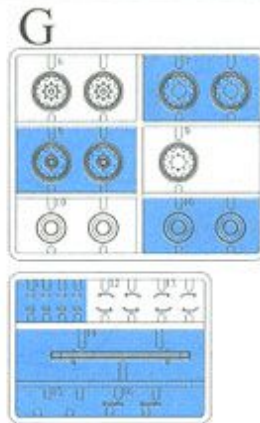
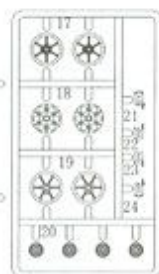
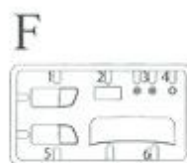
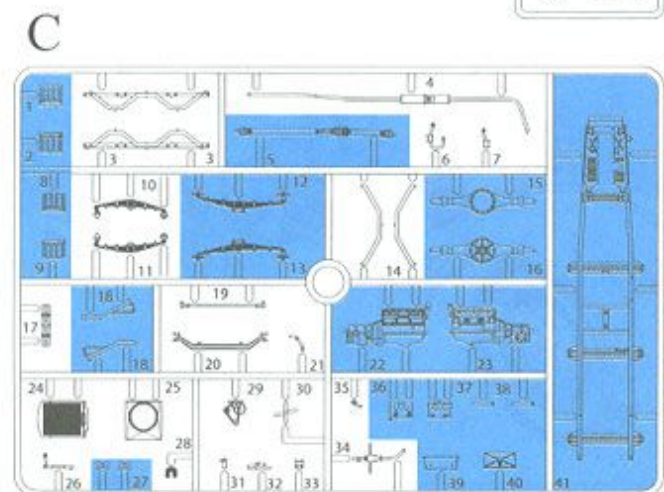
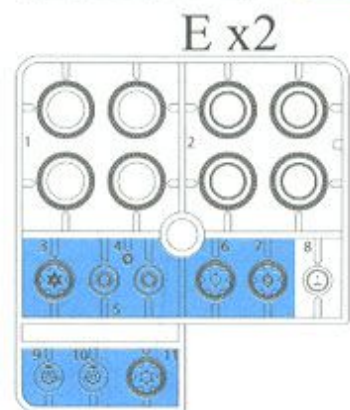
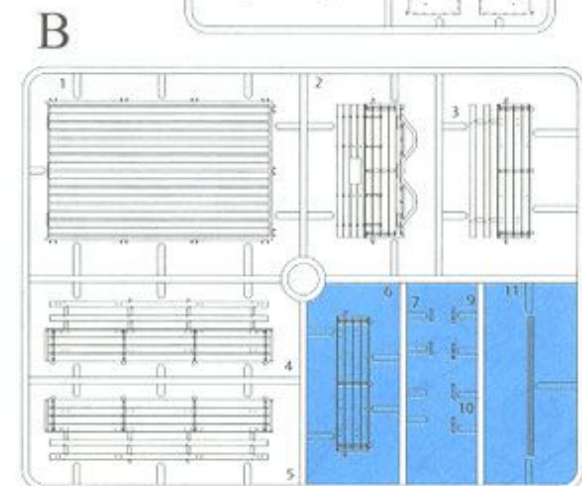
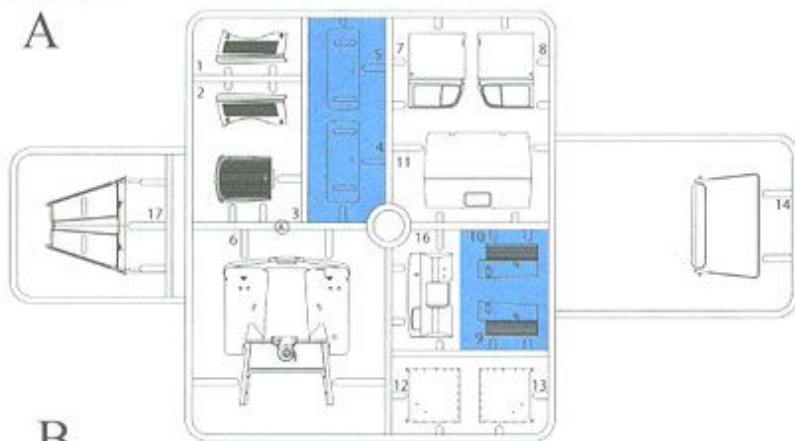


12

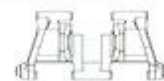


13



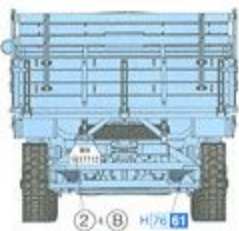
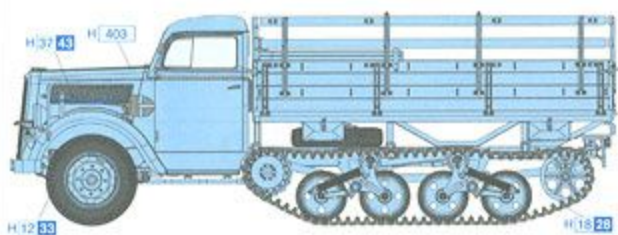


Zx197 *MagiTrack*
PATENT REGISTRADO
特許権取得済

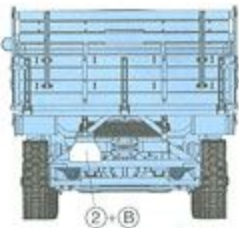
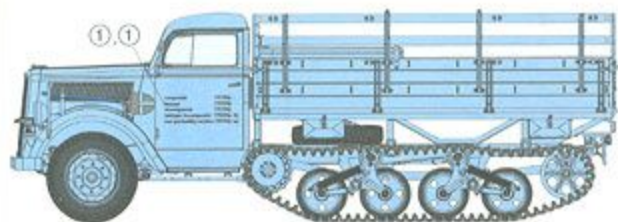


の部品は使用しません
Parts not for use.
Telle werden nicht verwendet.
Pièces a ne pas utiliser.
Parti nin ulizzati.
不需要使用的部件

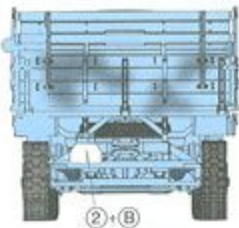
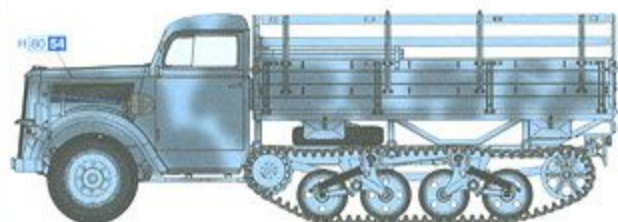
Unidentified Unit, Eastern Front 1943



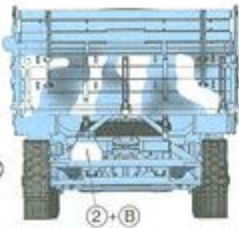
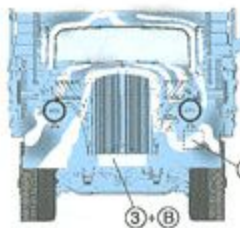
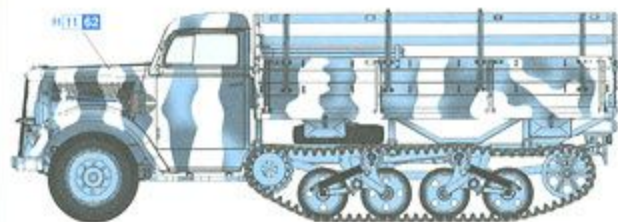
Pz.Gren.Rgt.33, Eastern Front 1943



Pz.Gren.Rgt.12, Eastern Front 1943



4.Pz.Div., Eastern Front 1944



Driver Training Vehicle, Germany 1942

