

## MI MI-24 "Hind" Ammo Box Set



TC 49020 Recommended kit: Revell/MONOGRAM 1/48

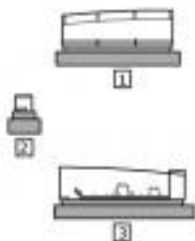
**HELL**  
RESIN KITS

Detailed resin set to make the  
MI MI-24 D/V/W/P/M variants.

For experienced modelers.

Many items have a complex shape  
and a very slim design and require  
increased care and accuracy in  
circulation.

For best result gluing use  
cyanoacrylate glue.  
Not for children.

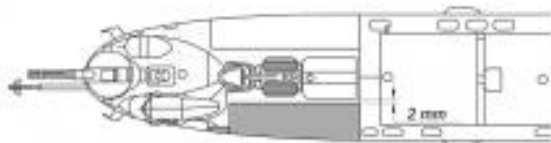


Resin parts list:

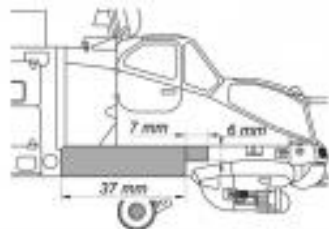
- Ammo Box + Ammo Feed  
Mechanism + Hatch;

*Remove shaded areas*

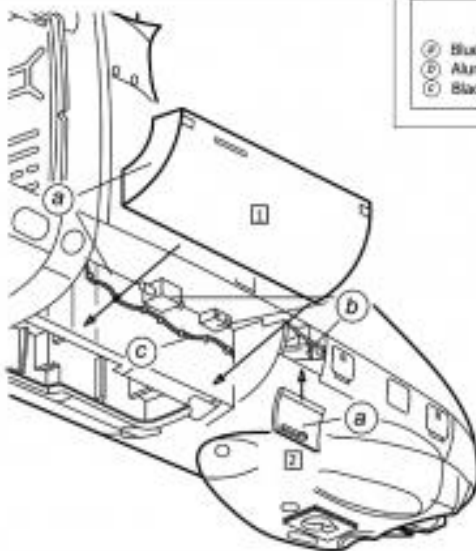
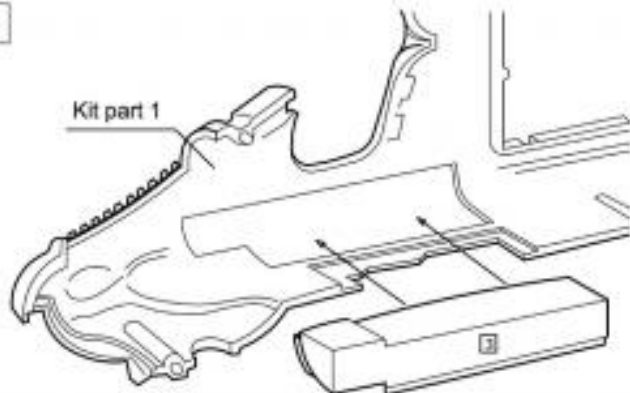
1



Cut out shaded areas



2



COLORS

- |             |         |
|-------------|---------|
| Ⓐ Blue-Grey | Ⓔ White |
| Ⓑ Aluminium | Ⓕ Green |
| Ⓒ Black     |         |

3

Recommended reference materials:

- WWV #4 Hind in detail;
- Lock On 16 Mi-24W Hind E;
- 4+ Mi-24 D,V,DU;
- Kagero Topshots 03 Mi-24 D/W.