

MI MI-24 "Hind" Air-Condition Compartment Set



TC 48019

Recommended kit: Revell/MONOGRAM 1/48

HEL
RESIN KITS

Detailed resin set to make the MI MI-24 D/V/W/V/M variants. For experienced modelers. Many items have a complex shape and a very slim design and require increased care and accuracy in circulation. For best result: gluing use cyanoacrylate glue. Not for children.

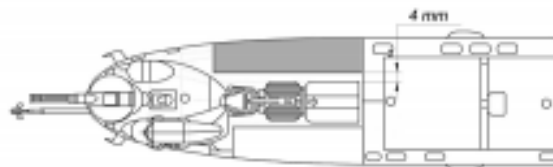


Resin parts list:

- The "Raduga-SH" navigation system + Hatch;
- Air-Condition Compartment + Hatch;

Remove shaded areas

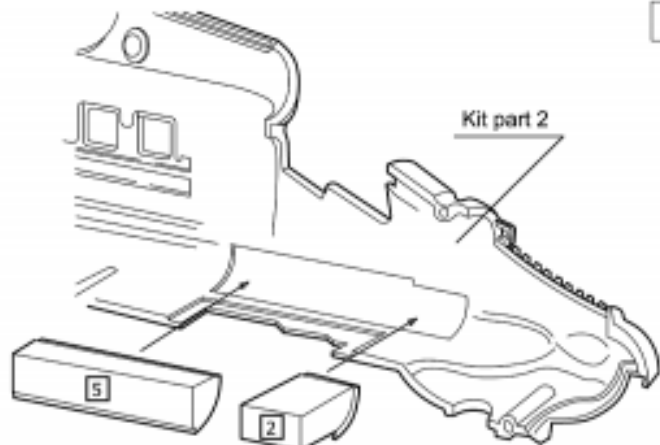
1



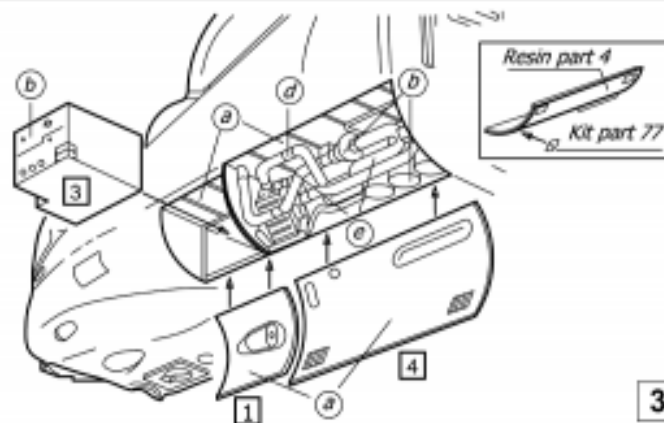
Cut out shaded areas



2



3



COLORS

- | | |
|-------------|---------|
| Ⓐ Blue-Grey | Ⓓ White |
| Ⓑ Aluminium | Ⓔ Green |
| Ⓒ Black | |

Recommended reference materials:

- WWW #4 Hind in details;
- Lock On 16 Mi-24W Hind E;
- 4+ Mi-24 D,V,DU; - Kagero Topshots 03 Mi-24 D/W.