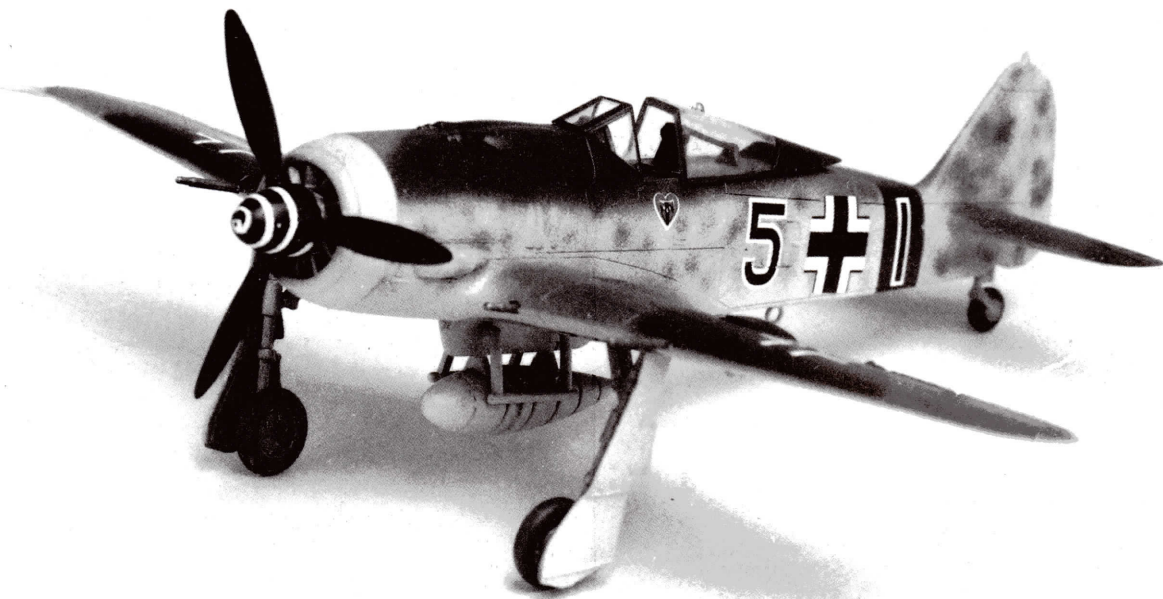
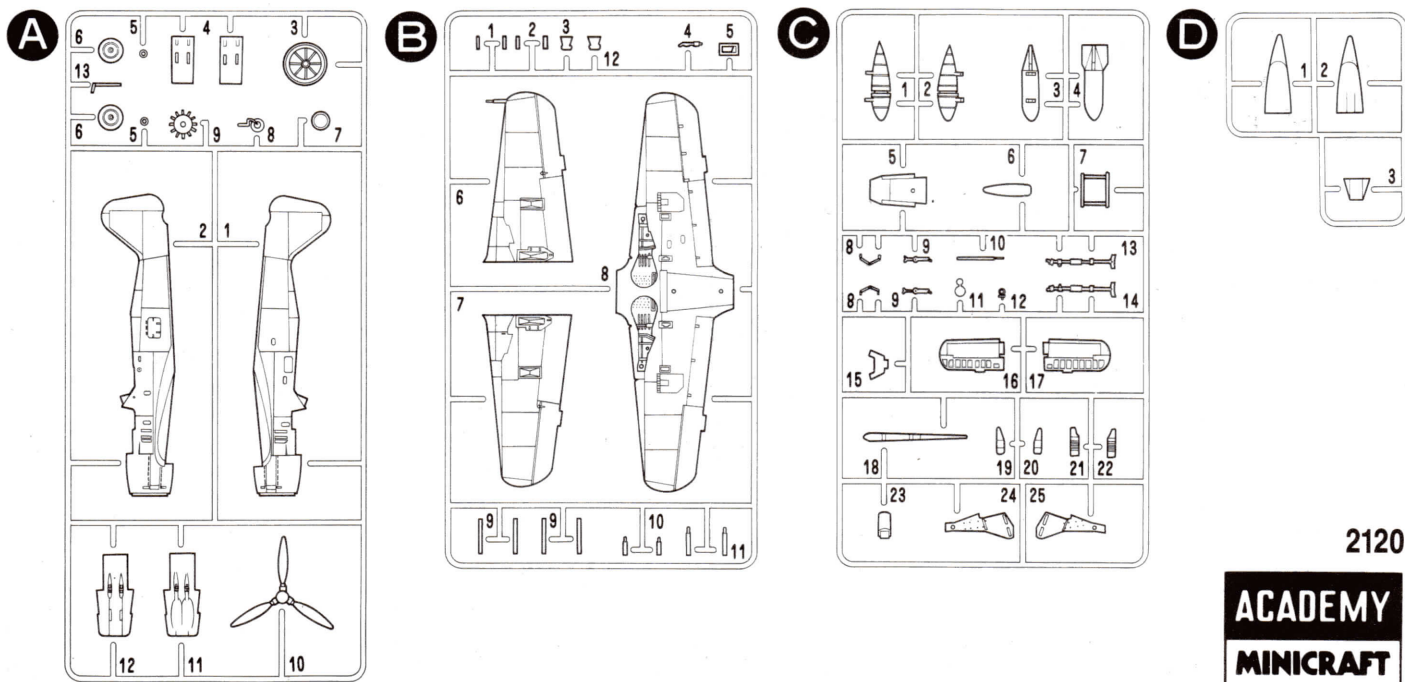


FOCKE-WULF FW190A6/8



The Focke-Wulf Fw 190A-8 Würger (Butcher Bird), was the last production version of the Fw 190 series with a radial engine. In 1944 over 1300 of these aircraft were built, more than any other Fw 190 version. The engine was an MW-50 boosted, (methanol- water), twin row, fourteen cylinder, BMW 801 D-2. This engine combination produced 1700 h.p. for take-off and up to 1440 h.p. at 18,700 feet. Normal armament was made up of two MG 151 cannons in each wing and two MG 131 cannons in the fuselage, however, a common addition to this was a WB 151/20 gun pack mounted under each wing. When an Fw 190A-8 was fitted with these gun packs they were redesignated as Fw 190A-8/R-1. The decals in this kit are for an Fw 190A-8 of the III/JG "Grün Herz".



2120

ACADEMY
MINICRAFT



Cement Parts
Coller
Kleben
Pegar
Incollare
Colar
Kleben



DO NOT cement
Ne pas coller
Nicht kleben
No pegar
Non incollare
Nao colar
Niet kleven



Cut away
Couper
Scheiden
Cortar
Tagliare
Cortar
Snijden



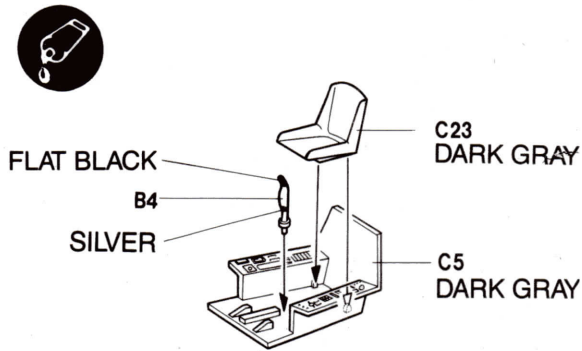
Optional parts
Choix
Auswahlmöglichkeit
Eleccion
Scelta
Opcao
Keuze



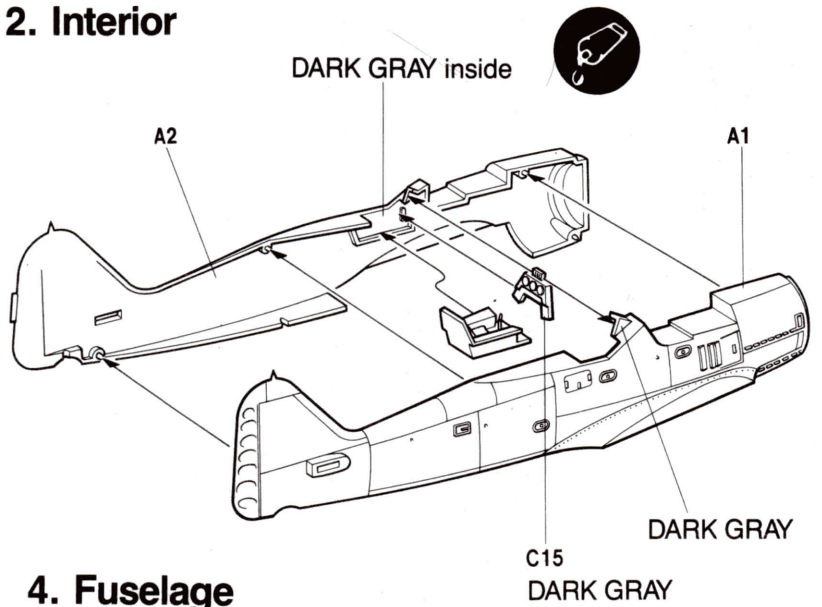
3

Repeat operation
Répéter l'opération
Vorgang wiederholen
Repitir la operacion
Ripetere
Repitir a operação
Herhalen

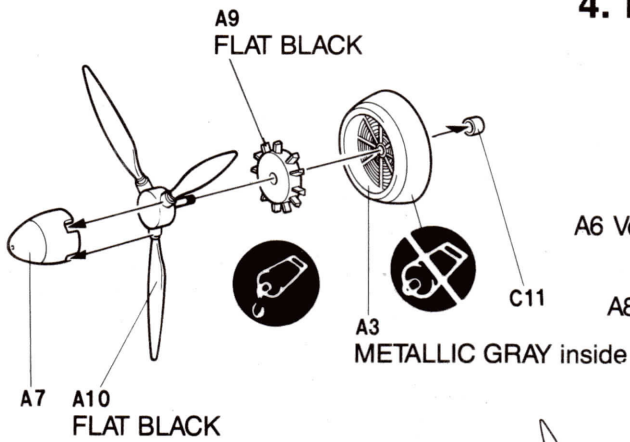
1. Cockpit



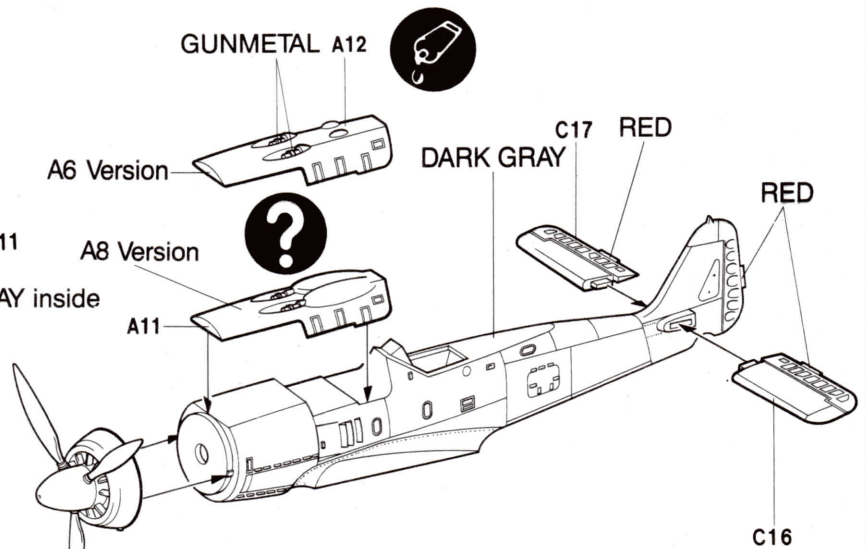
2. Interior



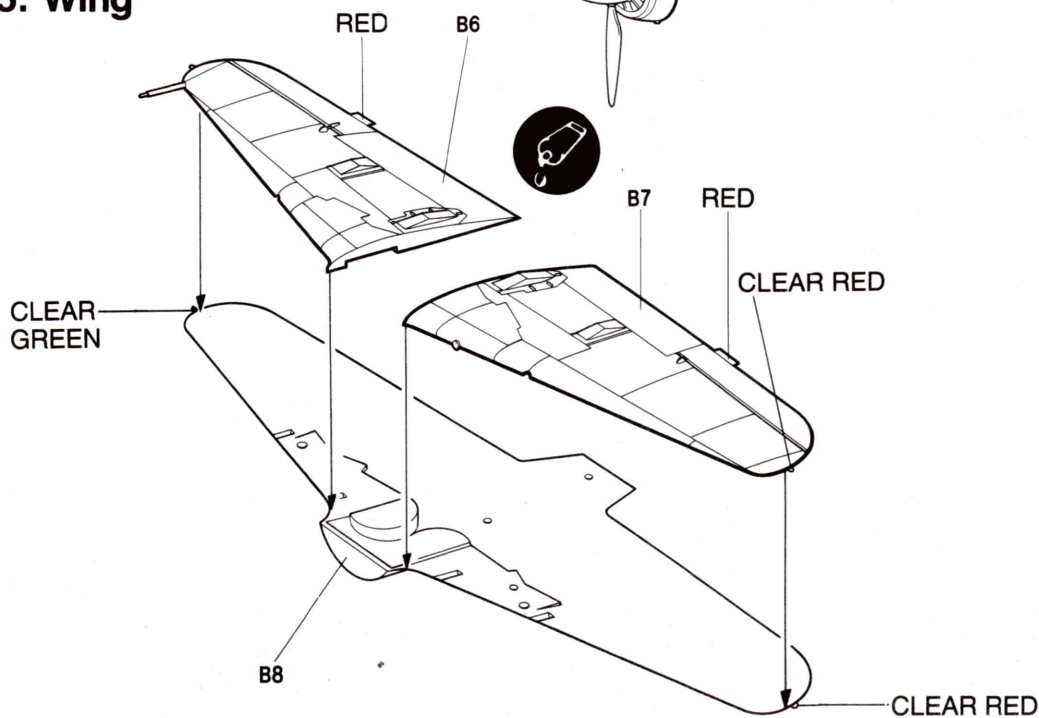
3. Engine



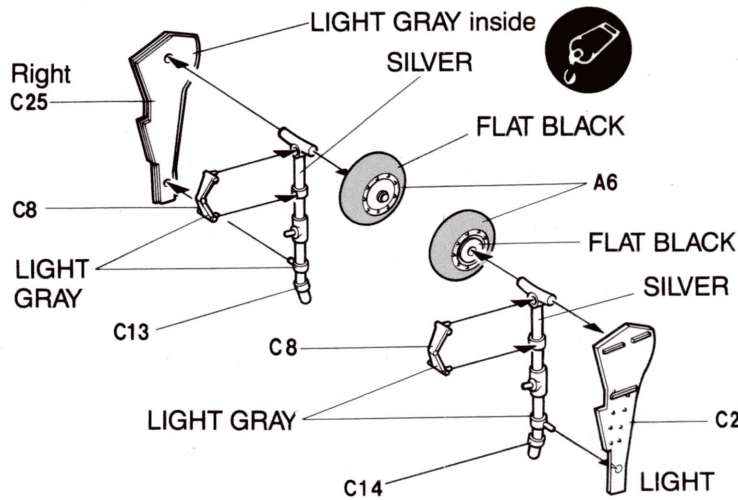
4. Fuselage



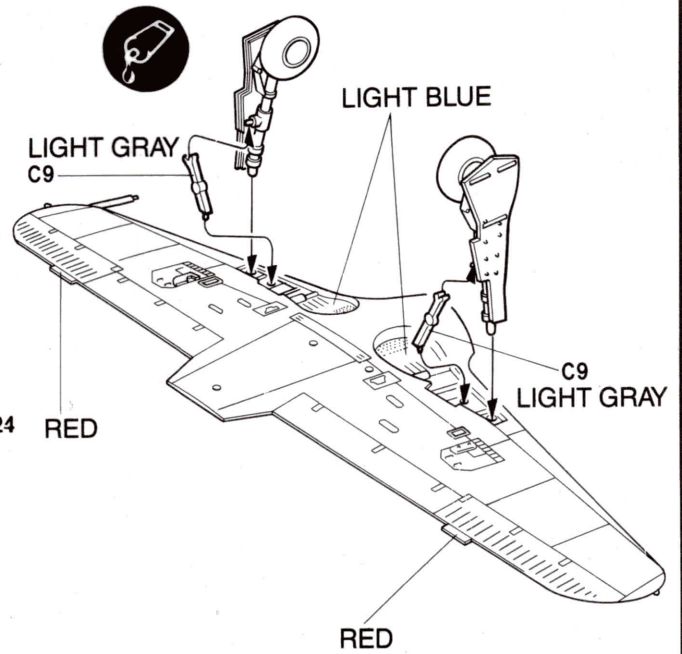
5. Wing



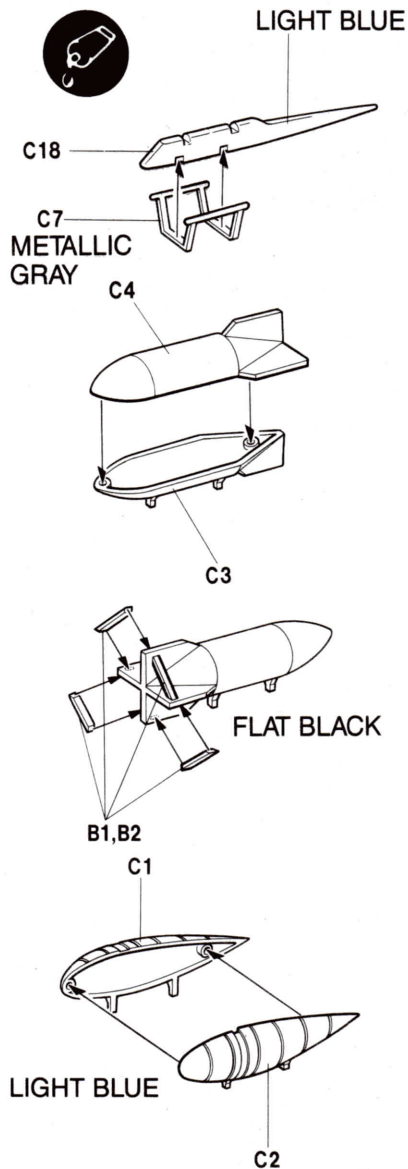
6. Landing Gear



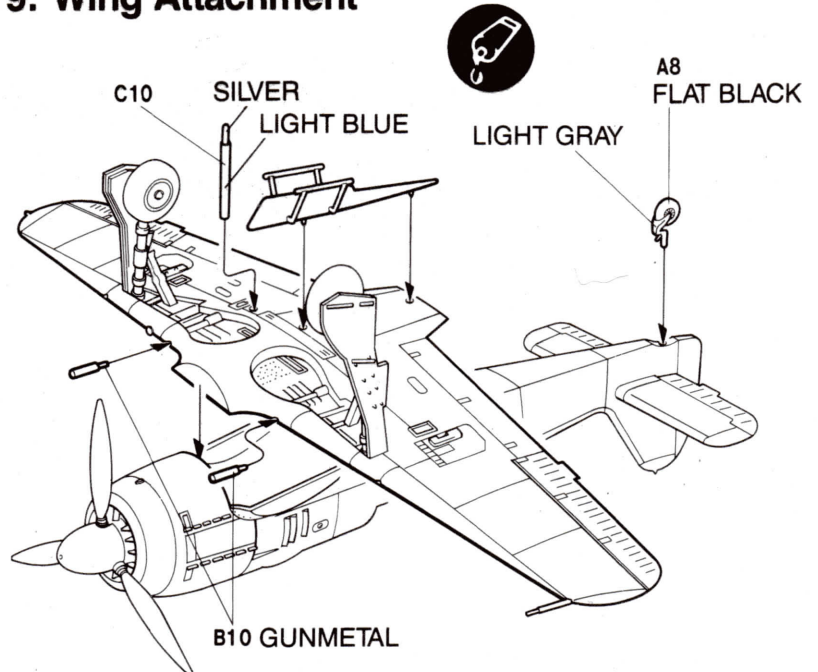
7. Landing Gear Attachment



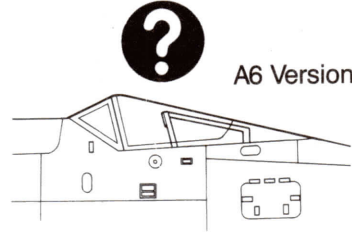
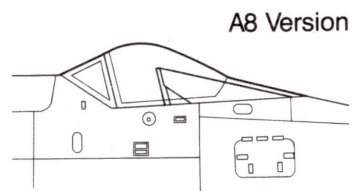
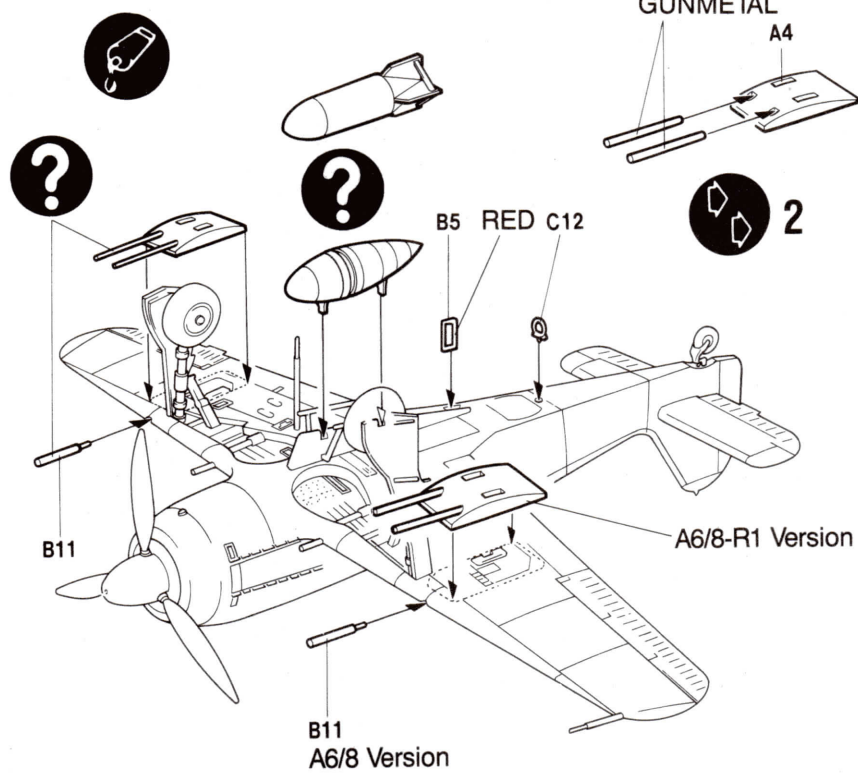
8. Drop Tank/Bomb



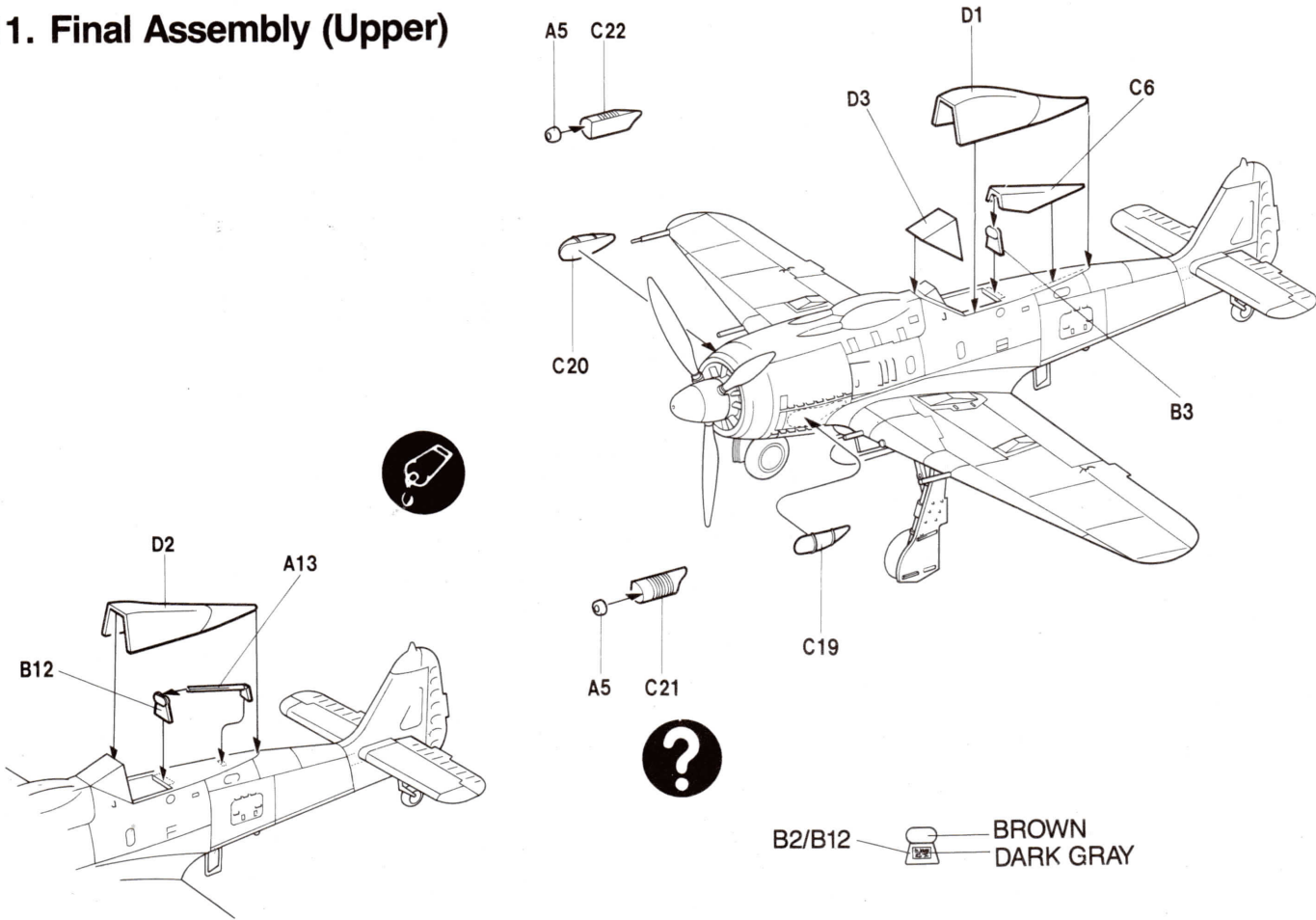
9. Wing Attachment



10. Final Assembly (Lower)



11. Final Assembly (Upper)

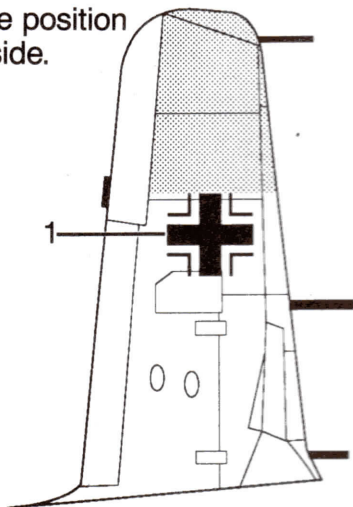


Painting and Decal Placement.

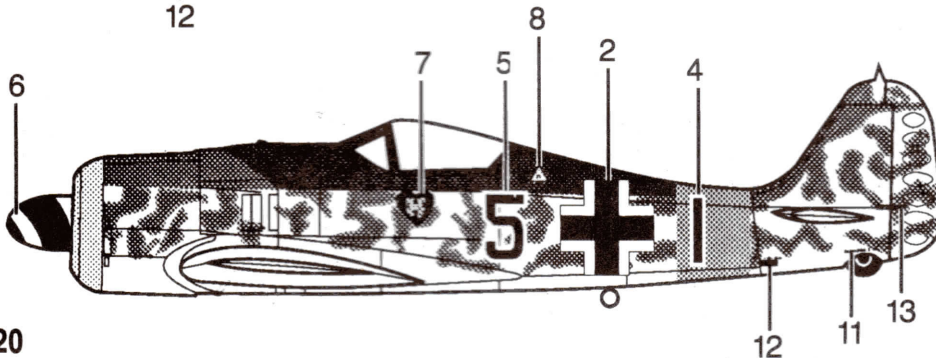
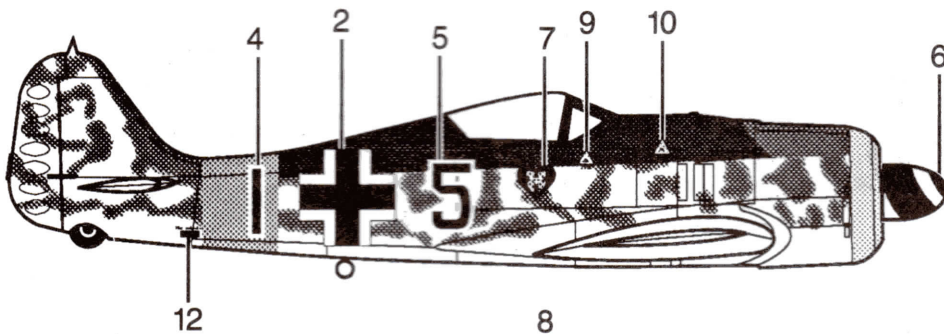
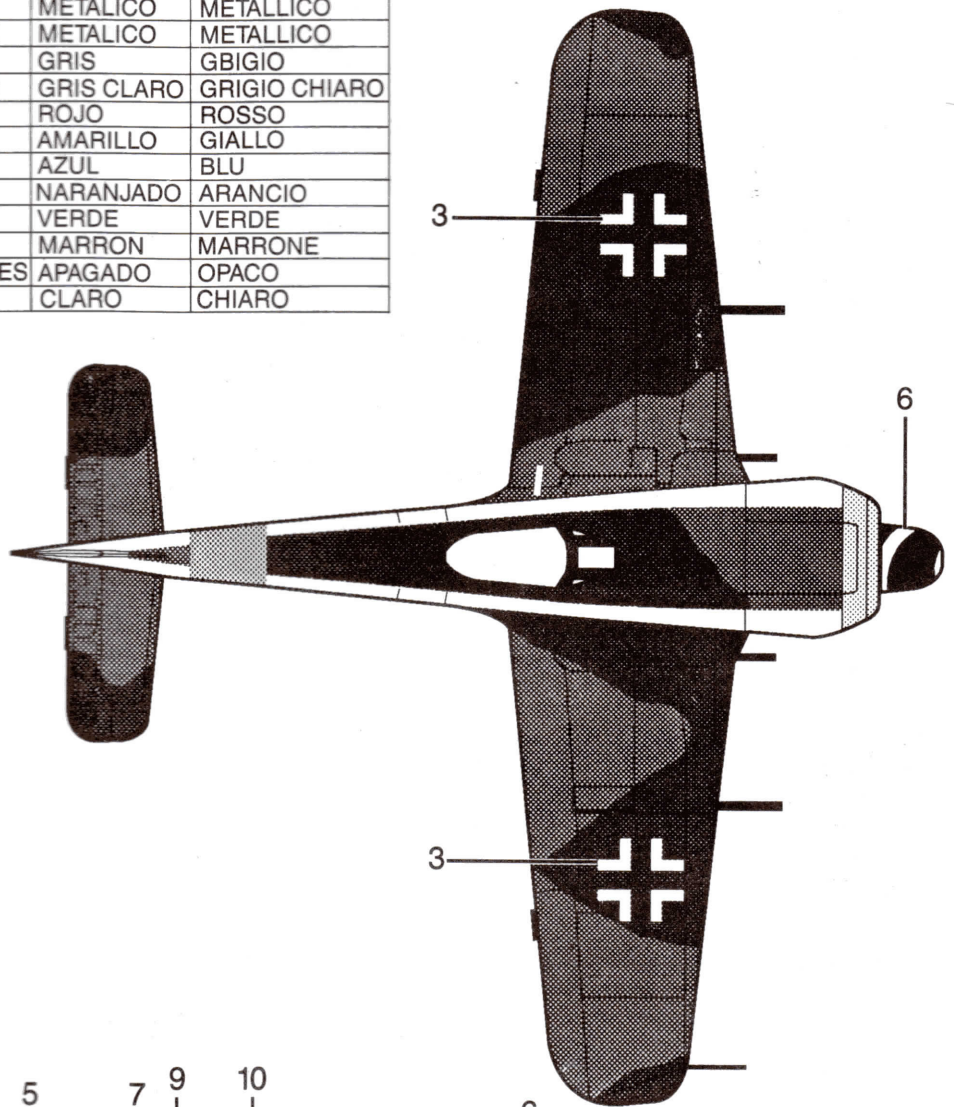
ENGLISH	FRENCH	GERMAN	SPANISH	ITALIAN
BLACK	NOIR	SCHWARZ	NEGRO	NERO
SILVER	ARGENT	SILBERN	PLATA	ARGENTO
GUNMETAL	METALLIC	METALLIC	METALICO	METALLICO
METALLIC	METALLIC	METALLIEK	METALICO	METALLICO
GRAY	GRIS	GRAU	GRIS	GRIGIO
LT GRAY	GRIS CLAIR	HELLGRAU	GRIS CLARO	GRIGIO CHIARO
RED	ROUGE	ROT	ROJO	ROSSO
YELLOW	JAUNE	GELB	AMARILLO	GIALLO
BLUE	BLEU	BLAU	AZUL	BLU
ORANGE	ORANGE	ORANGE	NARANJADO	ARANCIO
GREEN	VERT	GRUN	VERDE	VERDE
BROWN	BRUN	BRAUN	MARRON	MARRONE
FLAT	TERNE	GLANZLOSES	APAGADO	OPACO
CLEAR	CLAIR	KLAR	CLARO	CHIARO




© 1992 Minicraft Models Inc.

Same position
left side.



Bottom of right wing.



-  Black Green
-  Dark Green
-  Blue
-  Orange
-  Light Blue.