



McDONNELL-DOUGLAS AV-8B HARRIER

KIT 5448

1/48 SCALE

MASSTAB 1:48

ESCALA 1/48

SCHAAL 1:48

1/48 ECHELLE

SKALA 1/48

SCALA 1/48

MONOGRAM MODELS, INC. Morton Grove, Ill. Copyright © 1987. All rights reserved. Made in U.S.A.

5448-0200

One of the most significant new combat planes in service is the remarkable McDonnell Douglas AV-8B Super Harrier. The original AV-8A Harrier has been in service with the United States Marines since the late 1960's, where it has proven to be an outstanding weapons delivery platform.

By the mid-1970's, McDonnell proposed a vastly improved version of the Harrier in a joint venture with Great Britain, the originator of the Harrier design. In 1975, Britain pulled out but McDonnell proceeded with the development of the new machine. In 1985, the first of the new breed of Harriers entered service with the U.S. Marine Corps. It was designed to use a large variety of ground attack weapons, including

missiles, bombs and rockets, and can also fire air-to-air Sidewinders in dog fighting situations. The AV-8B has a maximum speed of 673 mph, or Mach .93 at sea level.

The new Harrier was greatly modified expressly for use by the Marines, although it has also been ordered for the British Royal Navy. The entire structure has been altered for improved performance and maintenance. These changes have increased the AV-8B's range or its payload by 100%. The most noticeable features are the new bubble canopy, affording excellent visibility, and a greater wingspan.

Your Monogram model of the new Harrier represents a plane from the U.S. Marine Corps, VMA 331, known as the "Bumblebees".

READ THIS BEFORE YOU BEGIN

- Study the assembly drawings.
- Each plastic part is identified by a number.
- Check the fit of each piece before cementing in place.
- Do not use too much cement to join parts.
- Use only cement for polystyrene plastic.
- Model may be painted to match photos on box.
- Allow paint to dry thoroughly before handling parts.
- Scrape paint from areas to be cemented.
- For better paint and decal adhesion, wash the plastic parts in a mild detergent solution. Rinse and let air dry.

- No use demasiado pegamento para unir las piezas.
- Use unicamente pegamento para plastico de poliestirena.
- El modelo puede pintarse de acuerdo con las fotografias de la caja.
- Permita que se seque la pintura completamente antes de tocar las piezas.
- Raspe la pintura de las superficies que seran pegadas.
- Para una mejor fijacion de la pintura y de las calcomanias, lavense las piezas plasticas en una solucion de detergente suave. Enjuaguense y dejense secar al aire.

- Le modele peut etre peint conformement aux photos sur la boite.
- Laissez secher la peinture completement, avant de manipuler les pieces.
- Grattez la peinture sur les surfaces devant etre collees.
- Pour assurer la meilleure adhesion possible de la peinture et des decalcomanies, lavez les pieces de plastique avec une legere solution savonneuse. Rincer et laisser secher a l'air.

ALLGEMEINE HINWEISE

- Die Anordnung der Bauteile ist aus den Zeichnungen der Anleitung ersichtlich.
- Jedes Plastikteil ist durch eine Nummer gekennzeichnet.
- Die Teile vor dem Verkleben ungeleimt zusammenhalten, um ihren Passitz zu prüfen.
- Klebstoff nicht zu dick auftragen.
- Nur Modell.
- Man kann schachtel.
- Bemalte T lassen.
- Die Farbe abgeschalt.
- Damit die sind die P waschen.

LEA ESTO

- Estudie lo
- Cada piez
- Verifique en posic

LEES DIT ALVORENS TE BEGINNEN

- Bestudeer de bouwtekening.
- Elk plastic onderdeel is genummerd.
- Controleer de aansluiting van elk deel voor het lijmen.
- Gebruik niet te veel lijm.
- Alleen lijm voor polystyreen plastic gebruiken.
- Men kan model verven zoals aangeduid op de doos.
- Laat de verf van de te verwerken delen steeds goed

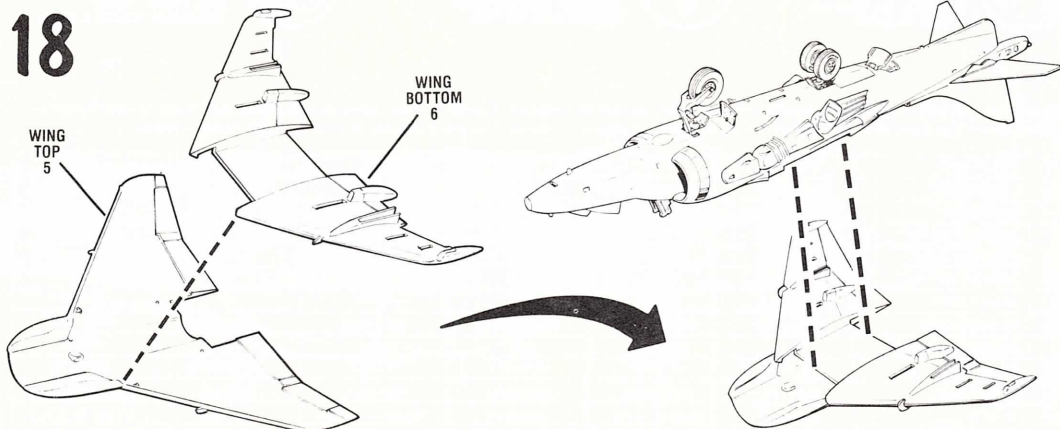
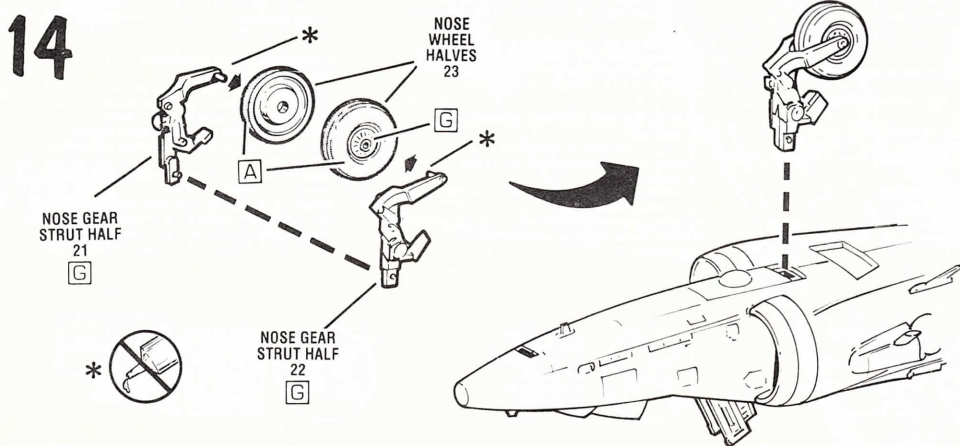
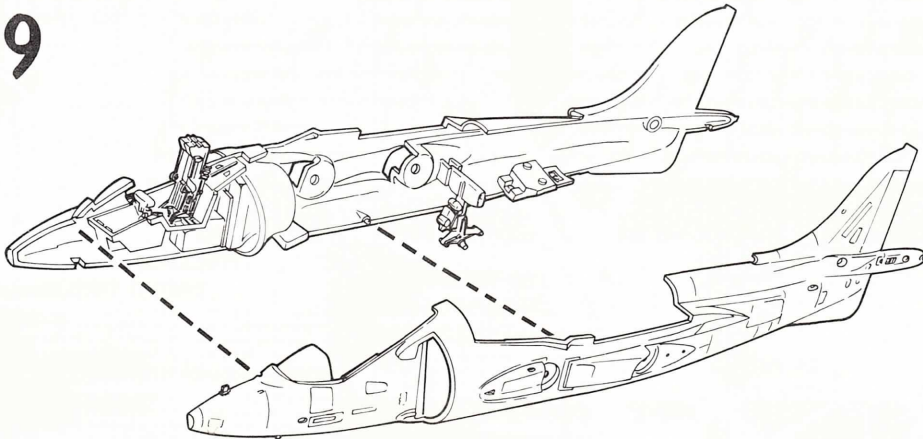
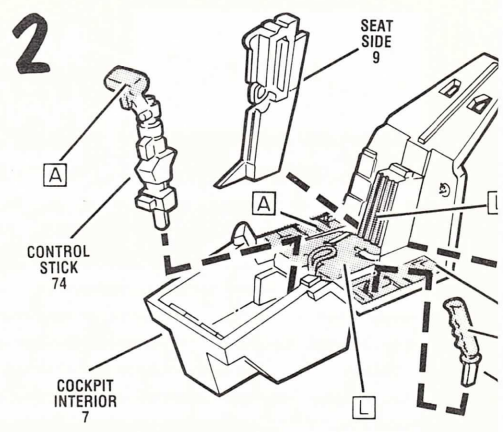
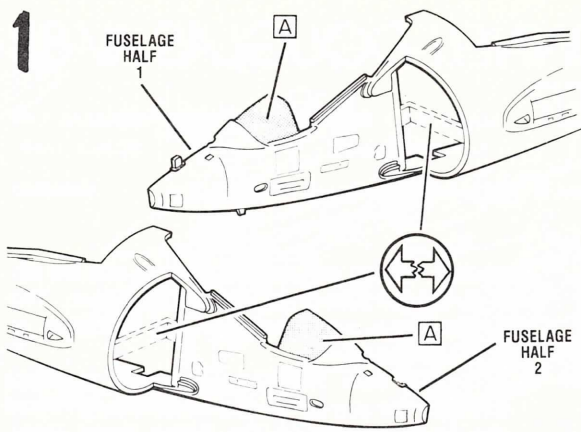
LAS DET HAR INNAN DU BORJAR BYGGA

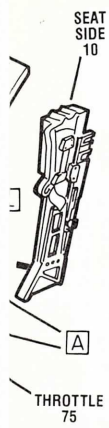
- Studera monterings-skisserna.
- Alla plastdelar har identifikationsnummer.
- Kolla noga att delarna passar före limningen.
- Stryk inte för mycket lim på delarna.
- Använd endast lim för polystyren-plast.
- Modellen kan målas enligt bilderna på kantomten.
- Låt färgen torka ordentligt före limningen.
- Skrapa bort färgen på de ytor som ska limmas.
- För bättre vidhäftning av färg och dekalmarken rengör plastdelarna i en mild tvättmedelslösning.



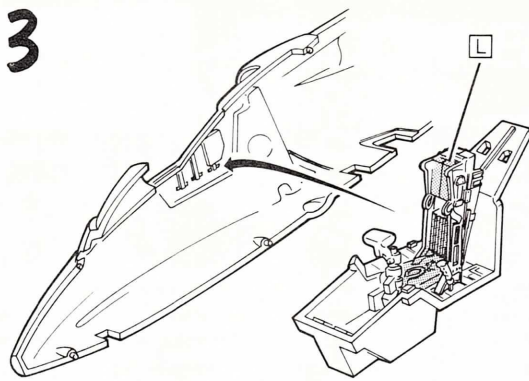
The numerical color code listed below indicates the correct Monogram/Humbrol color selections that you will need to detail your kit. These paints are specially formulated for application to plastic surfaces and are available at your favorite hobby retailer.

| A | 33 FLAT BLACK | SCHWARZ | NEGRO | ZWART | NOIR | SVART | NERO |
|---|---------------------|------------|------------------|--------------|--------------------|-------------|--------------------|
| B | 116 DARK GREEN I | DUNKELGRÜN | VERDE OSCURO | DONKERGRÖEN | VERT FONCE | MÖRKGRÖN | VERDE SCURO |
| C | 156 DARK GRAY II | DUNKELGRAU | GRIS OSCURO | DONKER GRIJS | GRIS FONCE | MÖRKGRÄ | GRIGIO SCURO |
| D | 28 CAMOUFLAGE GRAY | HELLGRAU | GRIS CLARO | LICHT GRIJS | GRIS CLAIR | LJUSGRÄ | GRIGIO CHIARO |
| E | 148 RADOME TAN | GELBBRAUN | CANELA | OKER | BRUN CLAIR | GULBRUN | MARRONE CHIARO |
| F | 19 BRIGHT RED | ROT | ROJO | ROOD | ROUGE | RÖD | ROSSO |
| G | 130 SATIN WHITE | WEISS | BLANCO | WIT | BLANC | VIT | BIANCO |
| H | 105 MARINE GREEN | DUNKELGRÜN | VERDE OSCURO | DONKERGRÖEN | VERT FONCE | MÖRKGRÖN | VERDE SCURO |
| J | 154 INSIGNIA YELLOW | GELB | AMARILLO | GEEL | JAUNE | GUL | GIALLO |
| K | 53 GUNMETAL | METALLIC | METALICO | METALLIEK | METALLIC | METALLGLANS | METALLICO |
| L | 155 OLIVE DRAB | OLIVGRÜN | ACEITUNADO | OLIJFGROEN | VERT OLIVE | OLIVBRUN | VERDE OLIVA SCURO |
| M | 61 FLESH | HAUTFARBE | COLOR DE LA PIEL | HUIDKLEUR | COULEUR DE LA PEAU | HUDFÄRGE | COLORE DELLA PELLE |

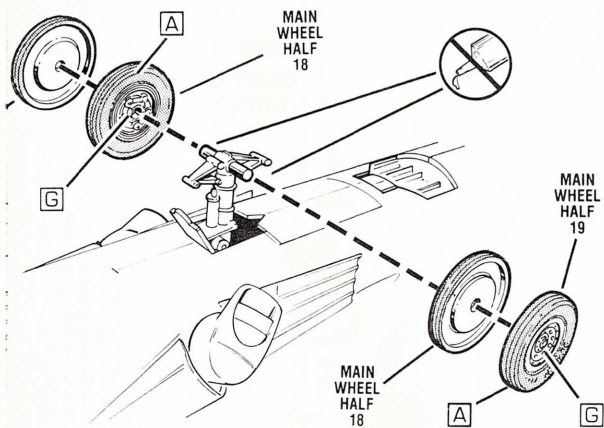
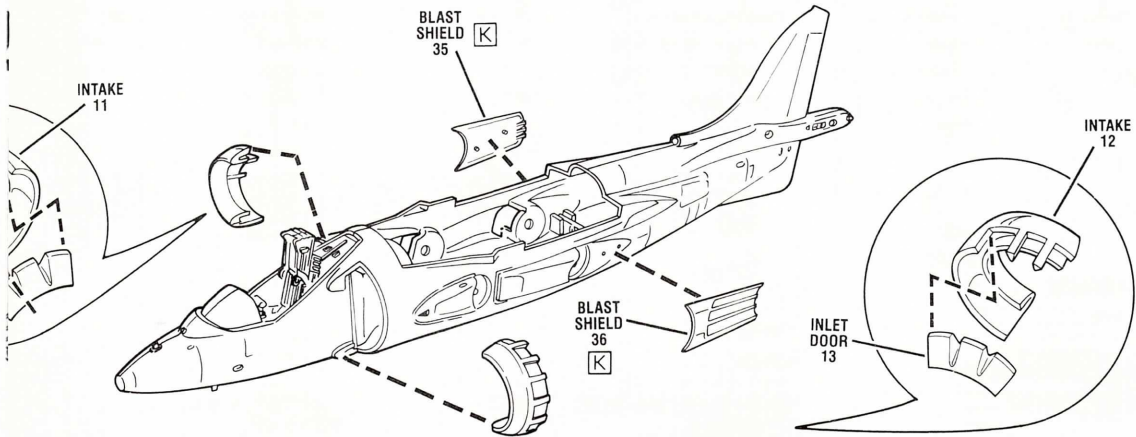
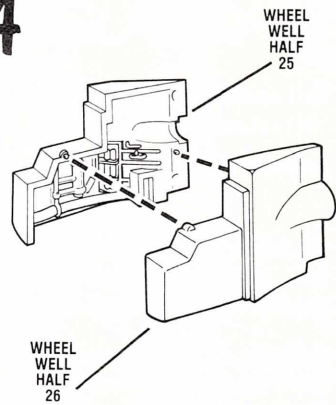




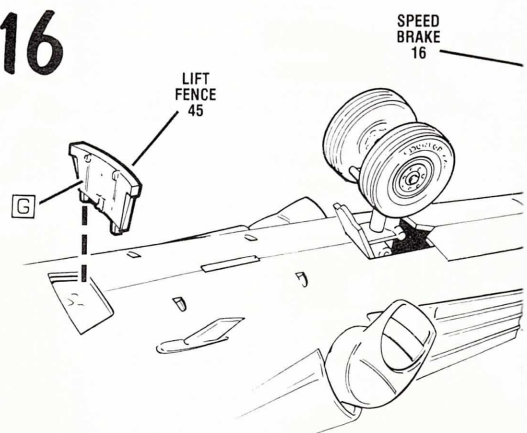
3



4



16



19

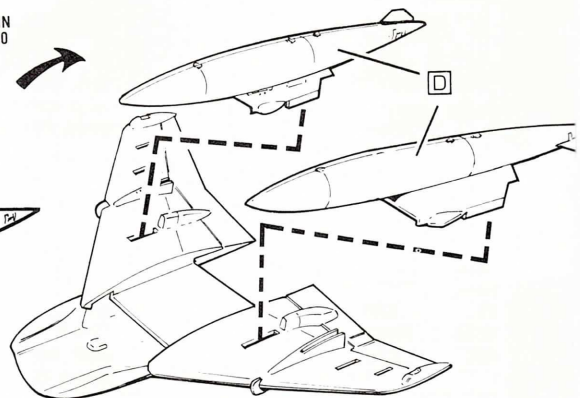
- APPLY DECALS BEFORE CEMENTING PIECES IN PLACE
- ABZIEHBILDER SIND ANZUBRINGEN, BEVOR DIE STÜCKE AN DIE STELLE GEKLEBT WERDEN
- APLICAR LAS CALCOMANIAS ANTES DE PEGAR LAS PIEZAS EN SU LUGAR
- PLAK LABELS OP ALVORENS DELEN OP HUN PLAATS TE LIJMEN
- APPLIQUER LES DECALOMANIES AVANT DE COLLER LES PIÈCES EN PLACE
- SÄTT FAST MARKEN INNAN DELARNA LIMMAS FAST PA PLATS
- PRIMA D'INCOLLARE I PEZZI AL LORO POSTO, APPLICARE LE DECALOMANIE



DROP TANK HALF 39

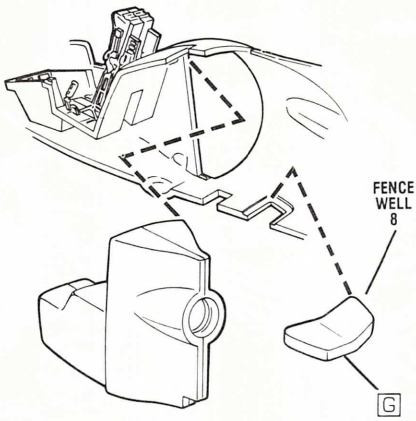


DROP TANK HALF 40

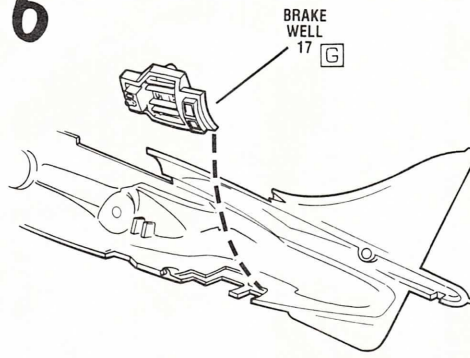


DETAILS OMITTED FOR CLARITY
EINZELHEITEN ZWECCKS KLARHEIT AUSGELASSEN
DETALLES OMITIDOS PARA MAYOR CLARIDAD
ONDERDELEN WEGGELATEN VOOR DUIDELIJKHEID
DETAILS OMIS POUR PLUS DE CLARETE
DETALJER UTELAMNADE FOR KLARHET
DETTAGLI OMESSI PER CHIAREZZA

5

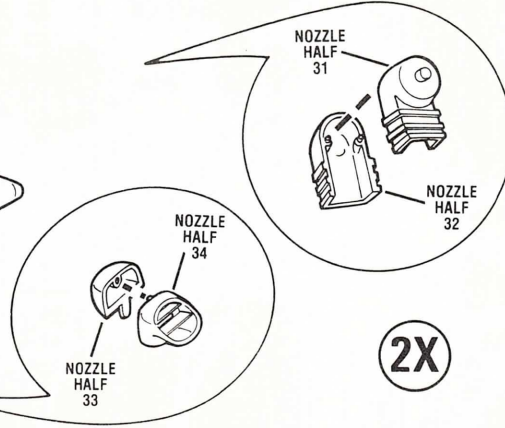
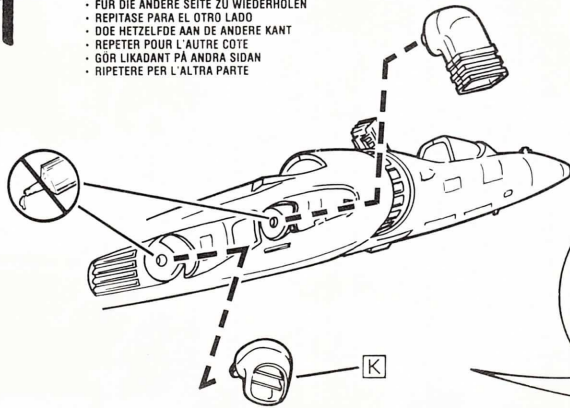


6

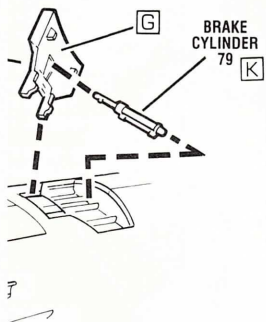


11

- REPEAT FOR OTHER SIDE
- FÜR DIE ANDERE SEITE ZU WIEDERHOLEN
- REPITASE PARA EL OTRO LADO
- DOE HETZELFDE AAN DE ANDERE KANT
- REPETER POUR L'AUTRE COTE
- GOR LIKADANT PA ANDRA SIDAN
- RIPETERE PER L'ALTRA PARTE



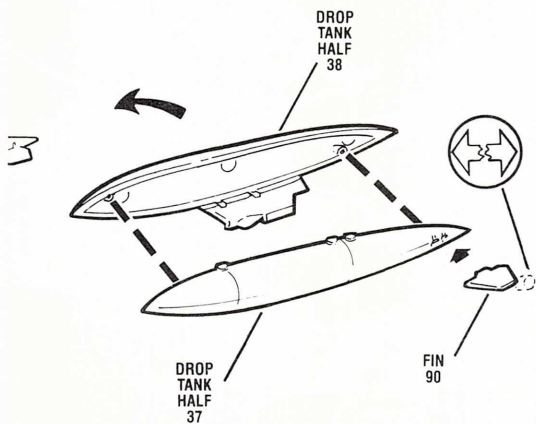
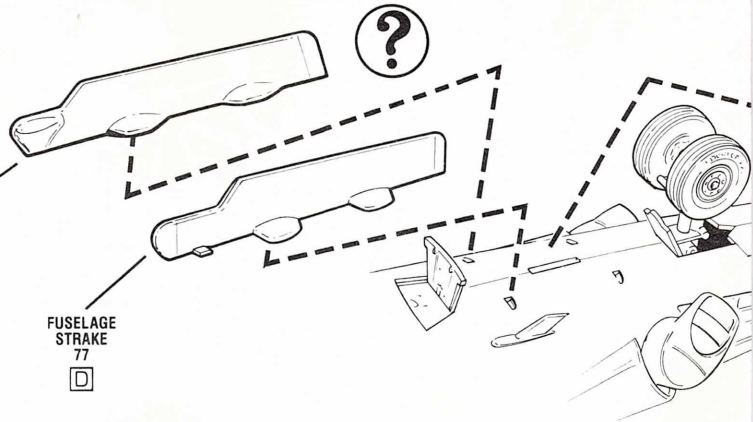
12



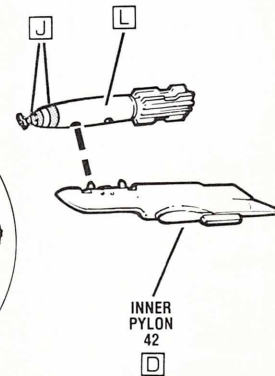
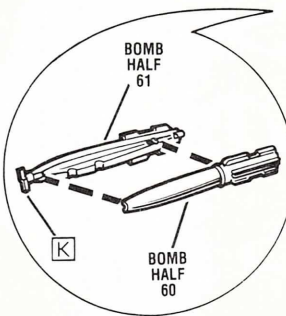
17

FUSELAGE STRAKE 76

FUSELAGE STRAKE 77

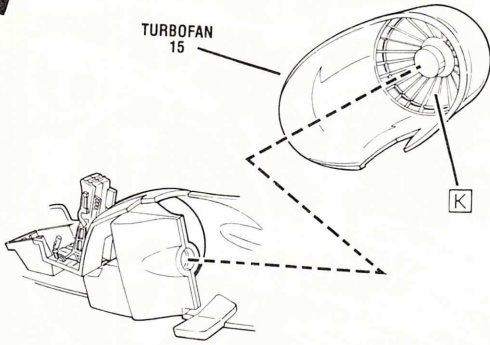


20



7

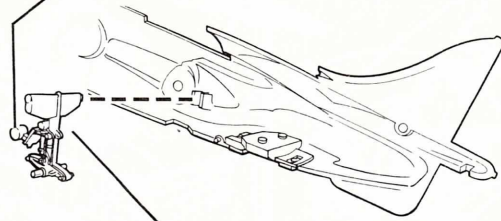
TURBOFAN
15



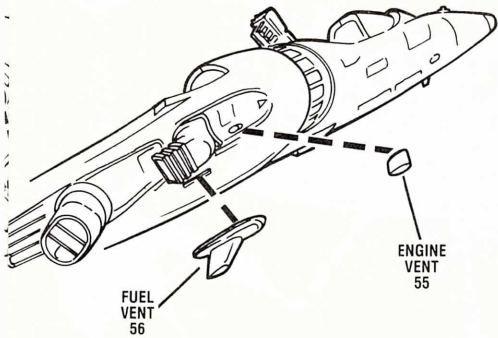
8



MAIN
GEAR
STRUT
20
G



9

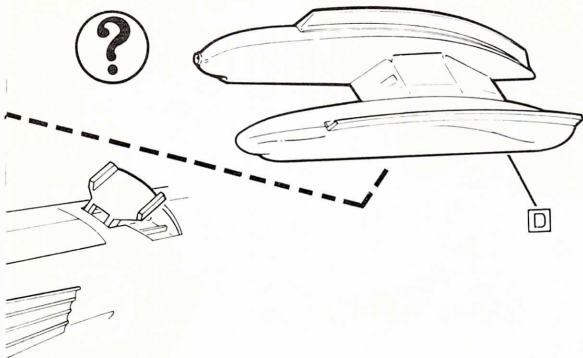
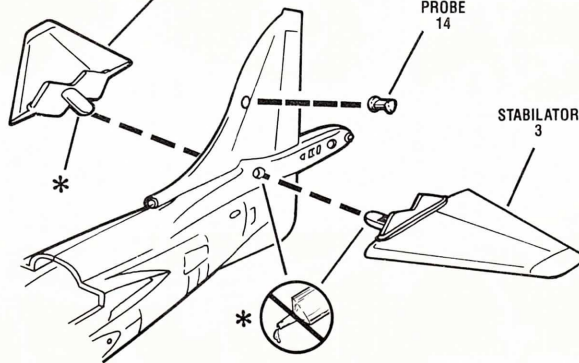


13

STABILATOR
4

AIR
TEMPERATURE
PROBE
14

STABILATOR
3

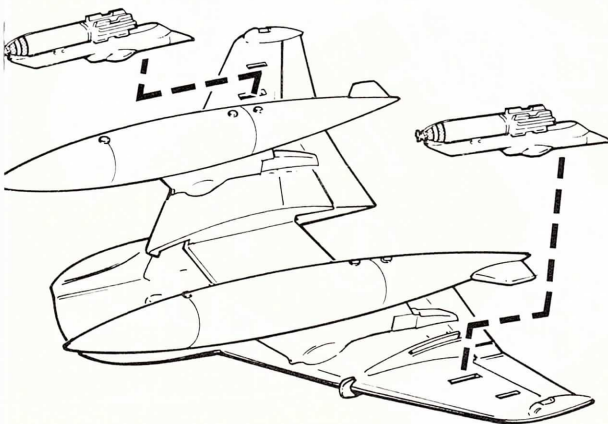
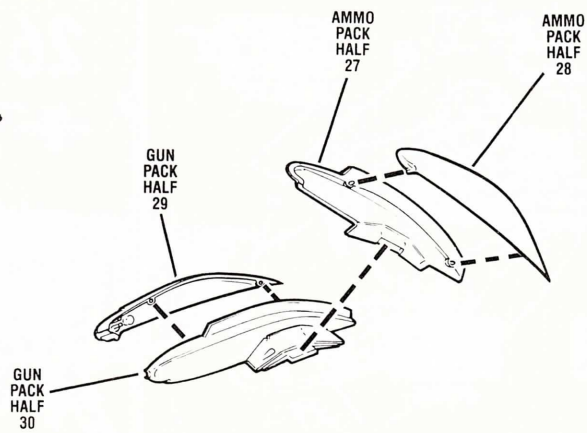


AMMO
PACK
HALF
27

AMMO
PACK
HALF
28

GUN
PACK
HALF
29

GUN
PACK
HALF
30



J

L

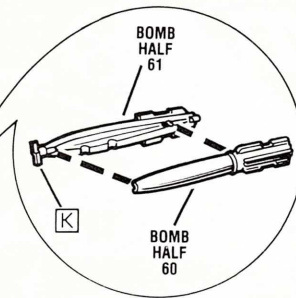
D

INNER
PYLON
41

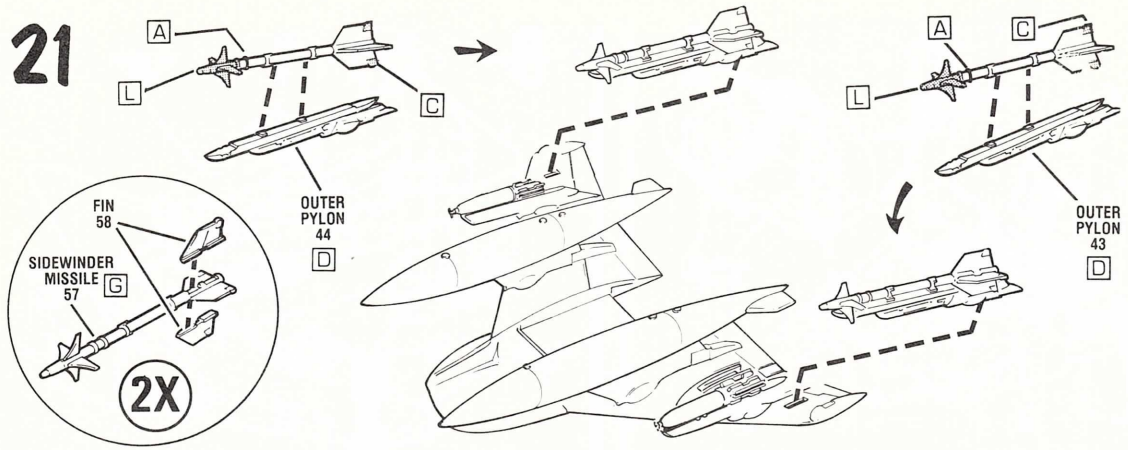
BOMB
HALF
61

BOMB
HALF
60

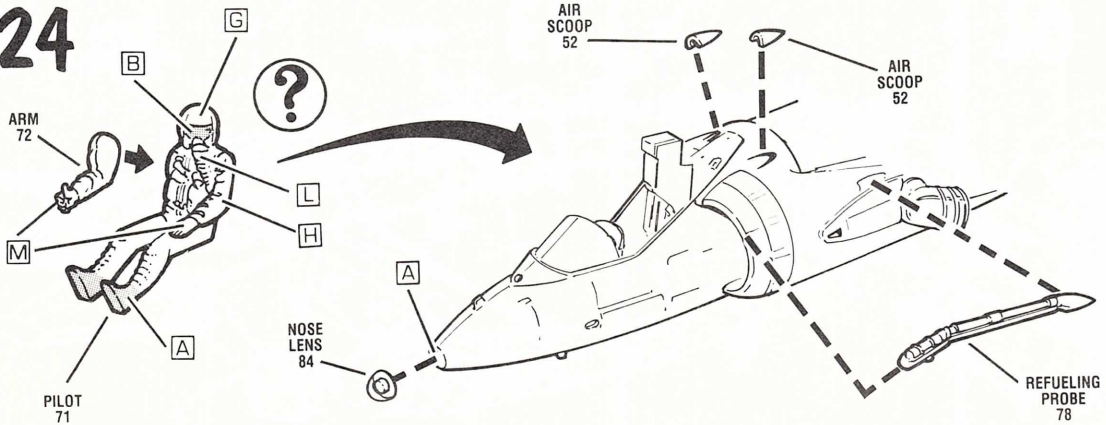
K



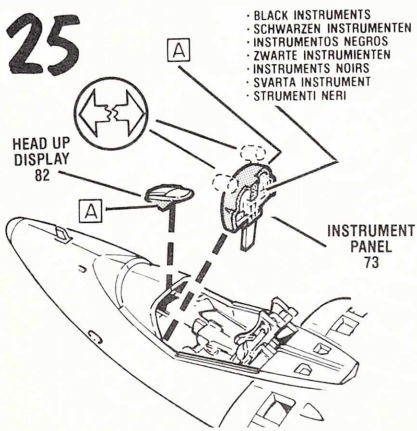
21



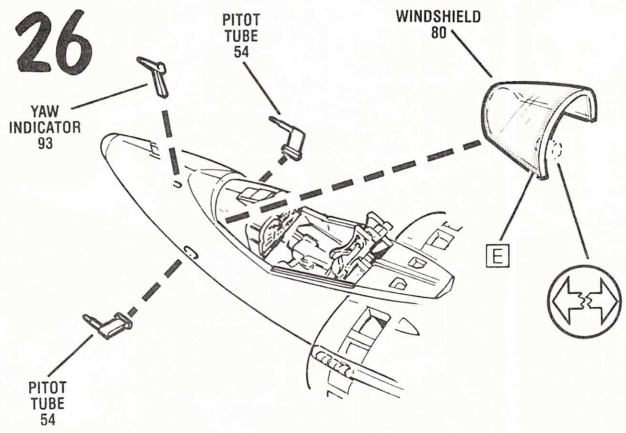
24



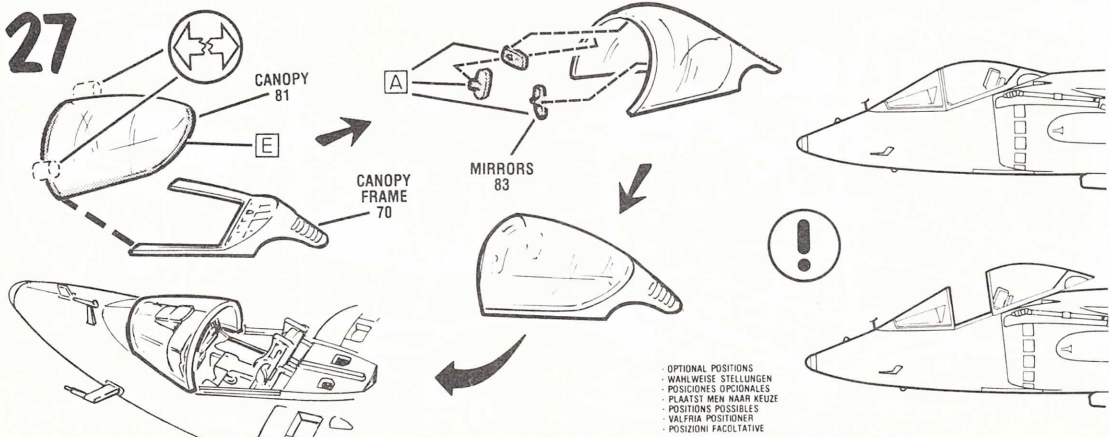
25



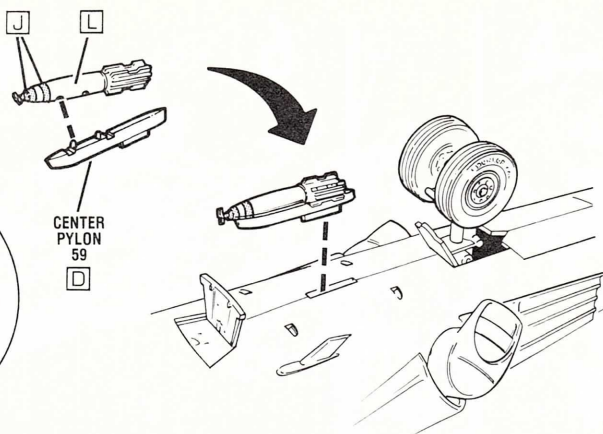
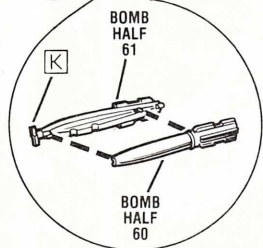
26



27

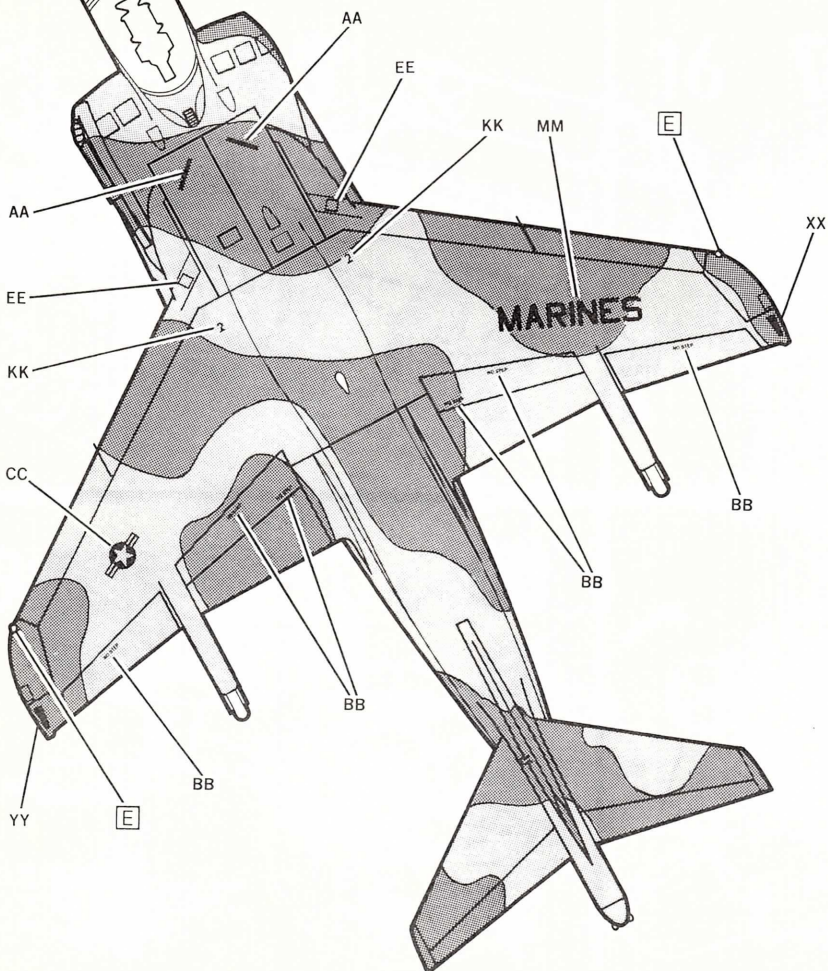
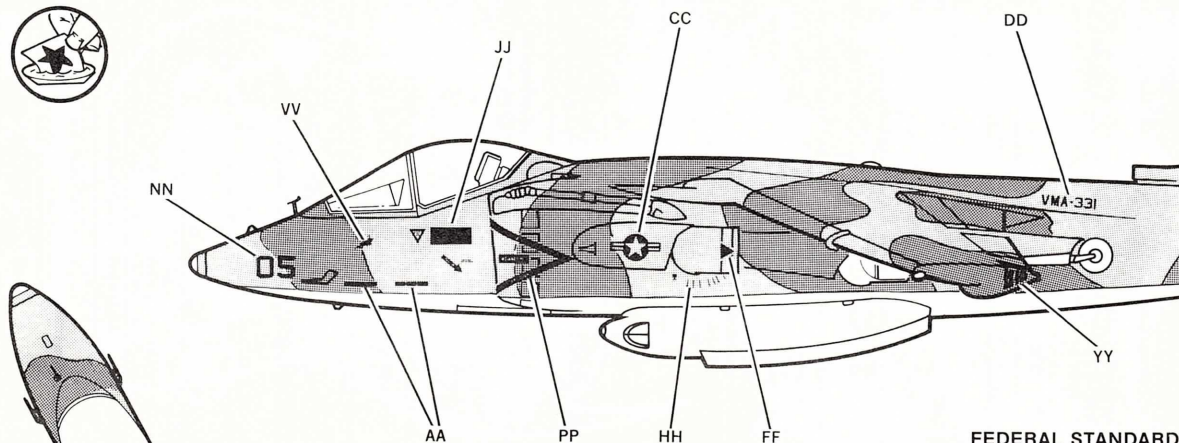
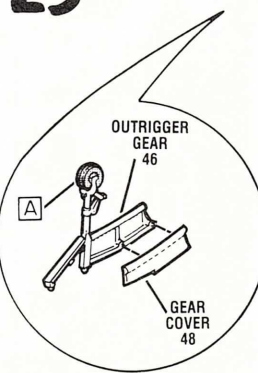


22



23

G

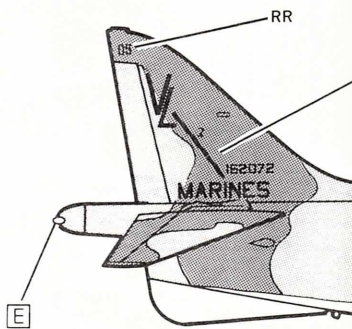
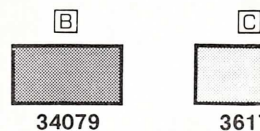


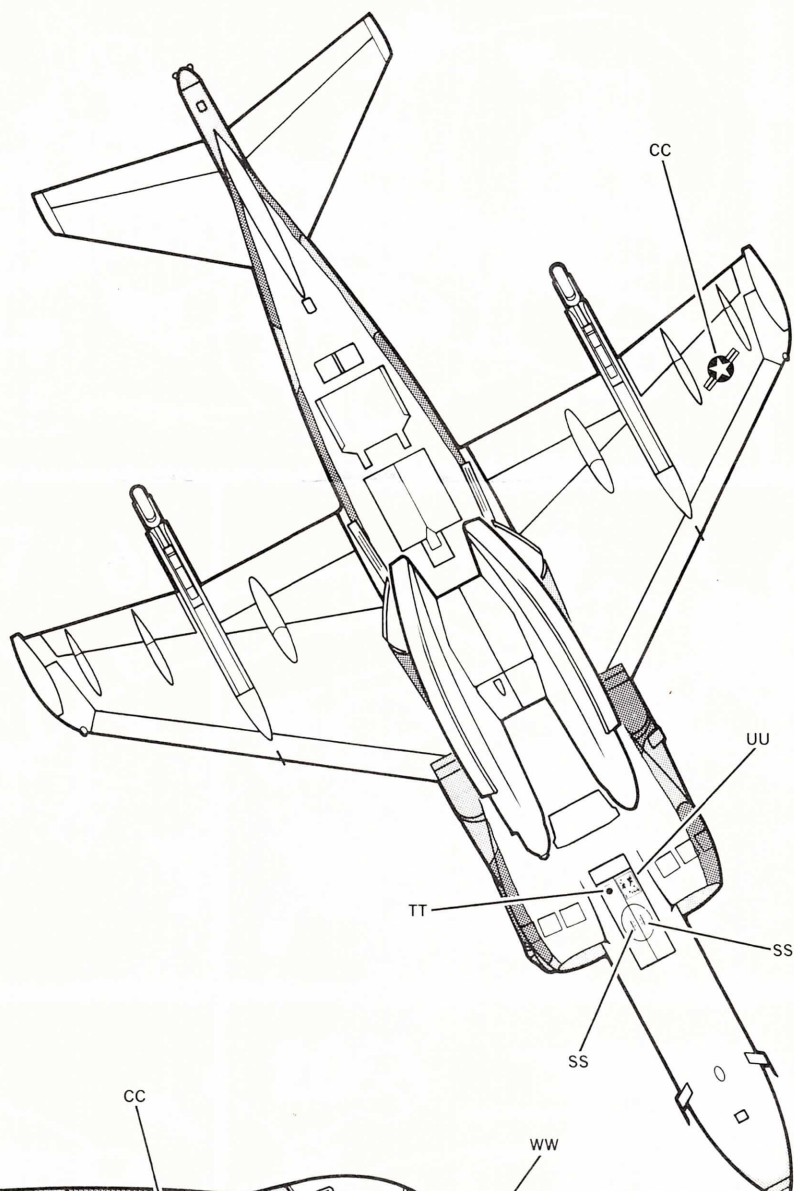
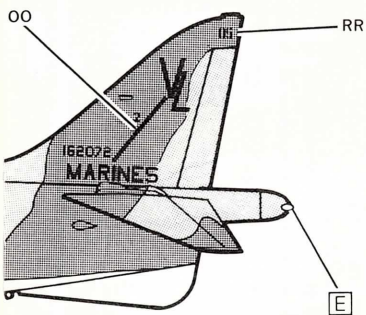
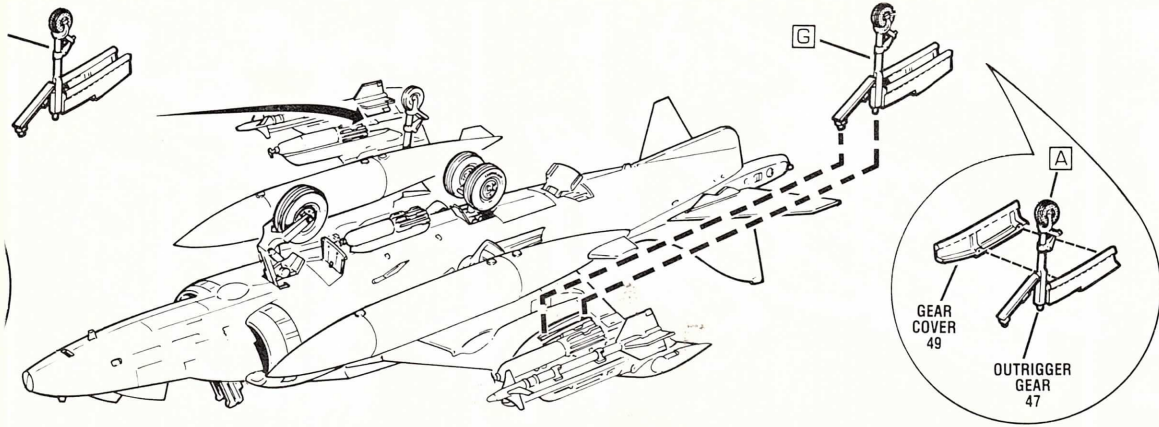
FEDERAL STANDARD

The box top can be used for your model, or you may use the information on this page for an accurate finish. The list of color samples printed in this section is available from:

GSA SPECIFICATION
7th & D Streets
Room 6
Washington, D.C.

Write to GSA for information on current price and availability. Federal enamels are color-coded to Federal Standards.





COLOR NUMBERS

Use the color numbers listed as a guide to paint your model. Wish to use the paint to achieve a more realistic appearance. Refer to FS 595a. This publication is for informational purposes only.

CAUTIONS
 Do not use paint thinner or other solvents. Use only the paint specified. Do not use any other paint. Do not use any other paint. Do not use any other paint.

