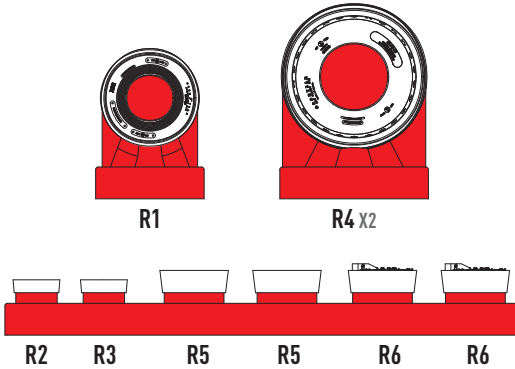
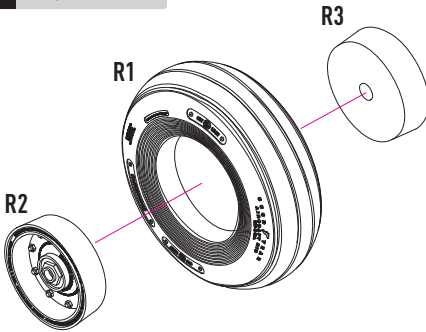


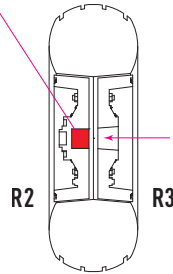
CUT



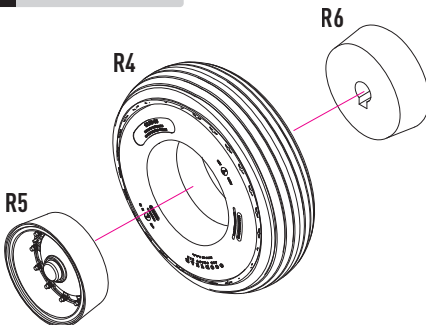
1 FRONT WHEEL



AFTER ASSEMBLING THE WHEEL,
DEEPEN THE LANDING PLACE BY 1.3 MM



2 REAR WHEEL X2



AFTER ASSEMBLING THE WHEEL,
DEEPEN THE LANDING PLACE BY 2 MM

