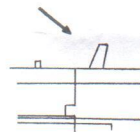
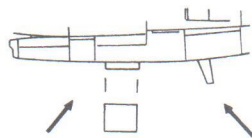


IFR Probe
(1/72)

KURNASS 2000
Aerials (1/72)



Use markings A*;B*;C*;D*;E*;F*;G*;H*;I*;J*
& stencilling from HDL sheet 72-03

1 3 4 5 -Hebrew stencilling

2 6 7 8 -English stencilling

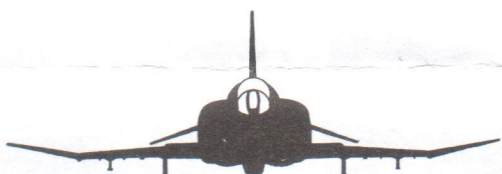
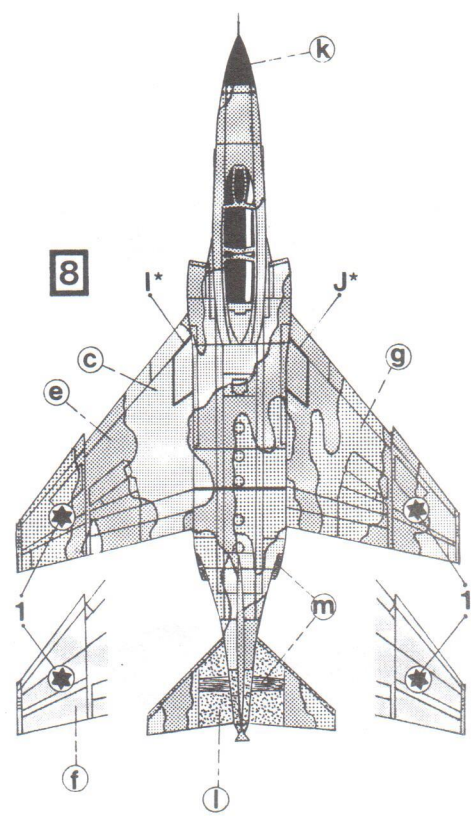
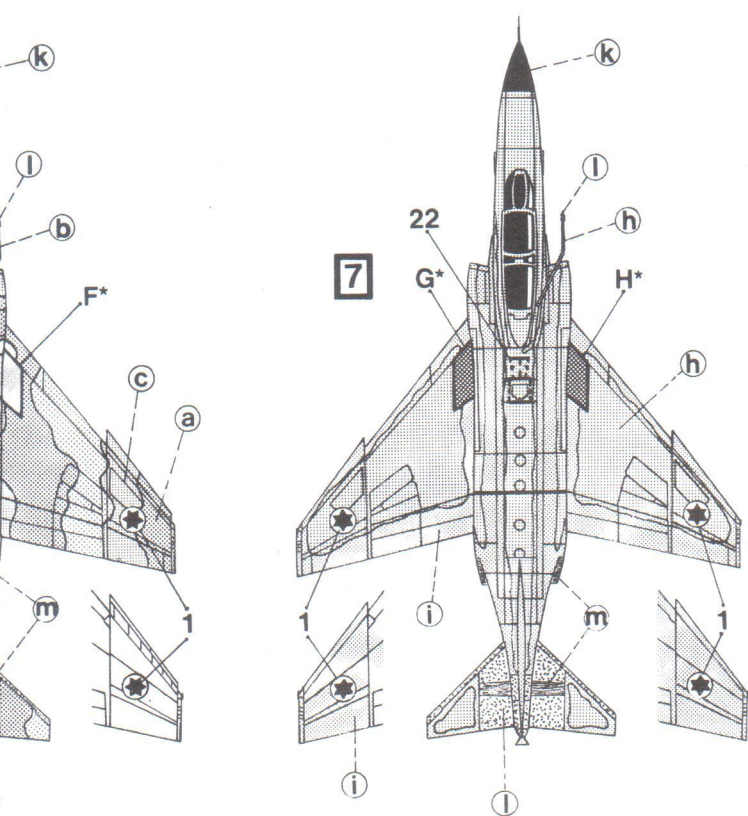
Model kits produced by:
AMT;Fujimi;Hasegawa;Italeri.
MB Mk7 Ejection Seats:True Details;Verlinden.
F-4ES "Peace Jack" Nose:Paragon Designs.
External Stores:Hasegawa;Italeri.

Recommended references:

- THE SHIELD OF DAVID by Samuel M. Katz; Concord Publications.
- PHANTOM-SPIRIT IN THE SKIES;Aerospace Pu
- F-4 PHANTOM II IN ACTION by Larry Davis Squadron/Signal Publications

F-4E;RF-4E;F-4E(S);KURNASS 2000

72-025

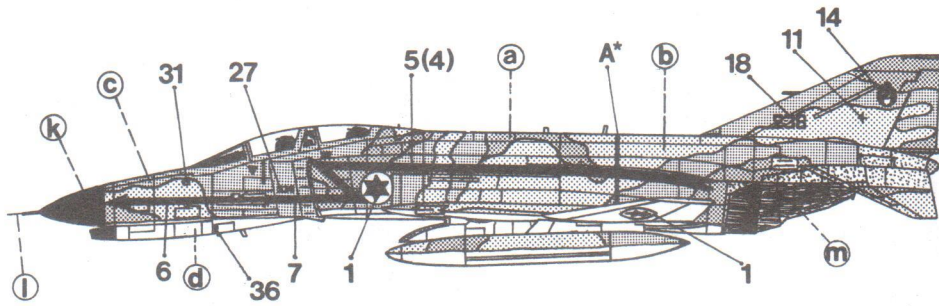


1	E	I	-	-	B	I	E
2	E	H	-	D	-	H	E
3	E	F	-	D	A	F	E
4	E	H	-	D	B	H	E
5	E	G	-	-	B	G	E
6	E	J	-	K	C	H	E
7	E	B		D		H	E
8	E	J	-	K	C	J	E

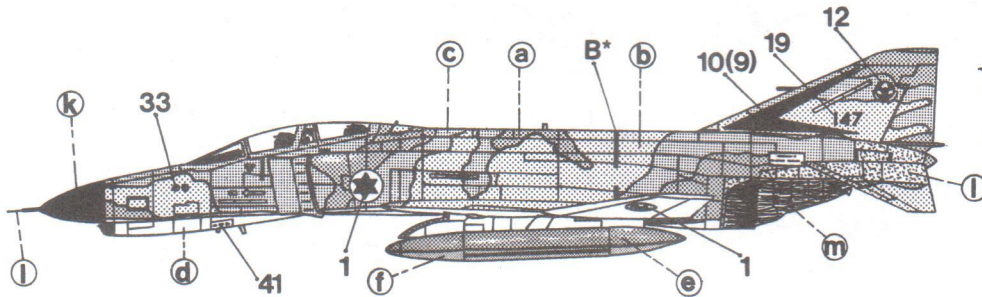
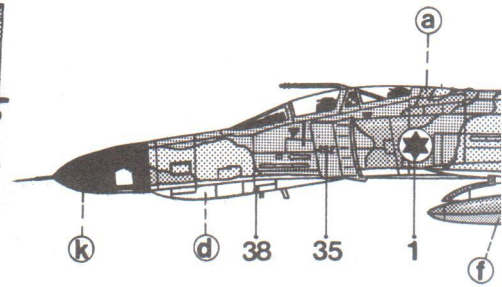
EXTERNAL STORES

- | | |
|------------------------|--------------------------|
| A: Pavé Spike Pod | H: 2x AIM-9 AAMs |
| B: ALQ-119 ECM Pod | I: GBU-8 HOBO |
| C: ALQ-87 ECM Pod | J: 3x Mk 82 Bombs on TER |
| D: 600 Gal. Fuel Tank | K: 4x M117 Bombs on MER |
| E: 370 Gal. Fuel Tank | |
| F: GBU-12 LGB | |
| G: AGM-78 Standard ARM | |

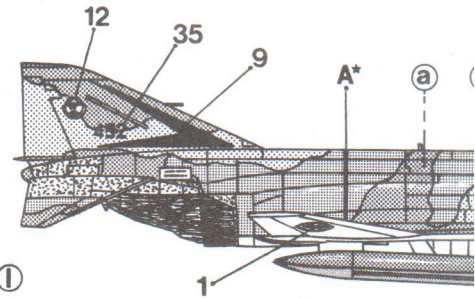
		Humbrol	Model Master
a	Light Green FS 34227	120	1716
b	Pale Stone FS 33531	121	1706
c	Tan FS 30219	118	1742
d	Pale Blue FS 35622	122	1722
e	Dark Green FS 34079	116	1710
f	Pale Grey FS 36622	28	1733
g	Green FS 34102	117	1713
h	Compass Grey FS 36320	128	1741
i	Ghost Grey FS 36375	127	1728
j	Red FS 31136	153	1705
k	Black FS 27038	85	1597
l	Aluminium	Metalcote	1401
m	Steel	Metalcote	1405
n	Orange FS 32246	82	1595



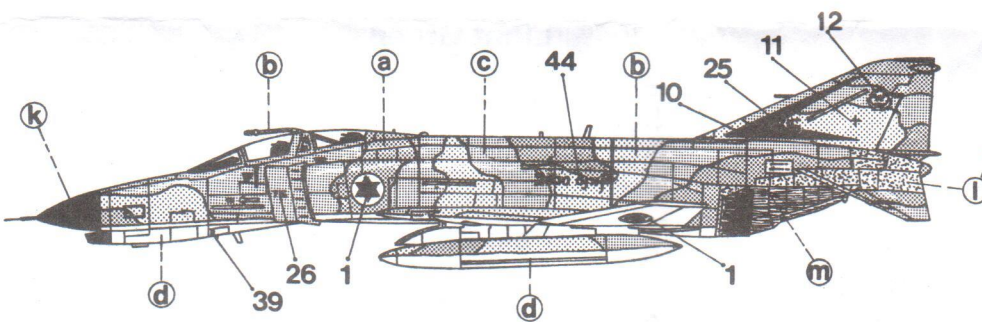
1 F-4E, "AkraV"(Scorpion) Sqn, Heyl'Ha Avir, 1982.



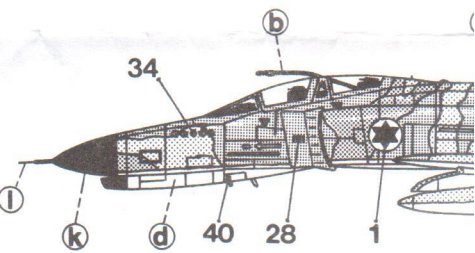
2 F-4E, "Atalev"(Bat) Sqn, Heyl Ha'Avir, during the Yom Kippur War, October 1973.



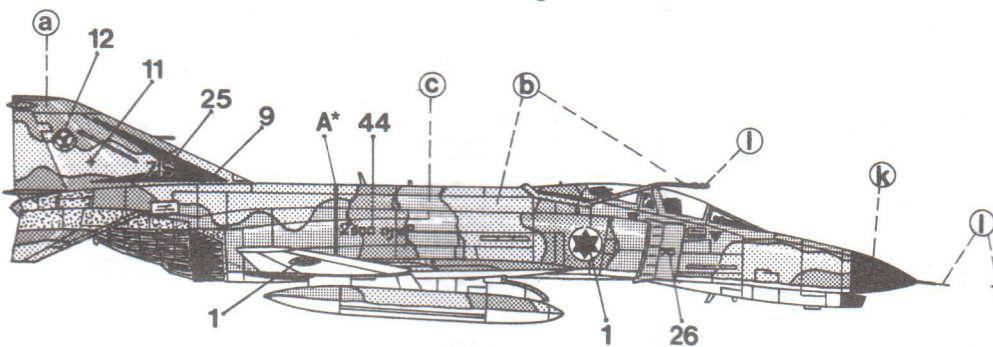
4 F-4E(S), "Atalev" Sqn, He



3 Kurnass 2000, "Atalev" Sqn, Heyl Ha' Avir, 1994.



5 F-4E, "Zanav Katom"(Or 1982.



6 F-4E, "Ahat" Sqn, Heyl H War, October 1973.

