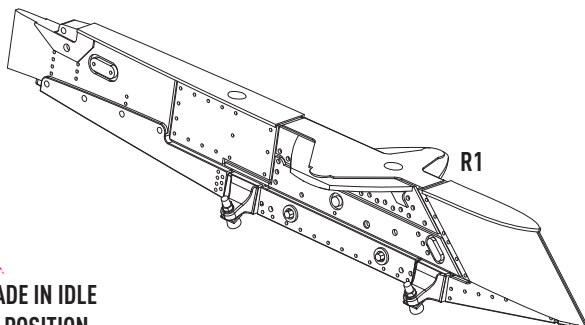
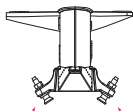
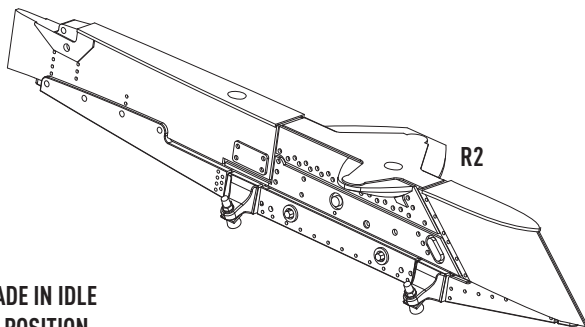
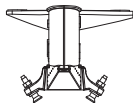


1 RIGHT WING PYLON

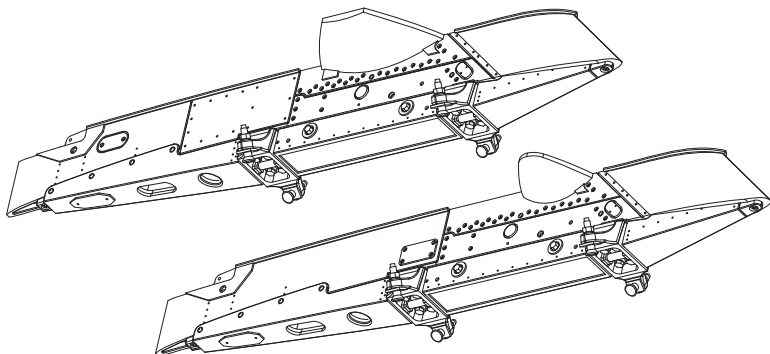


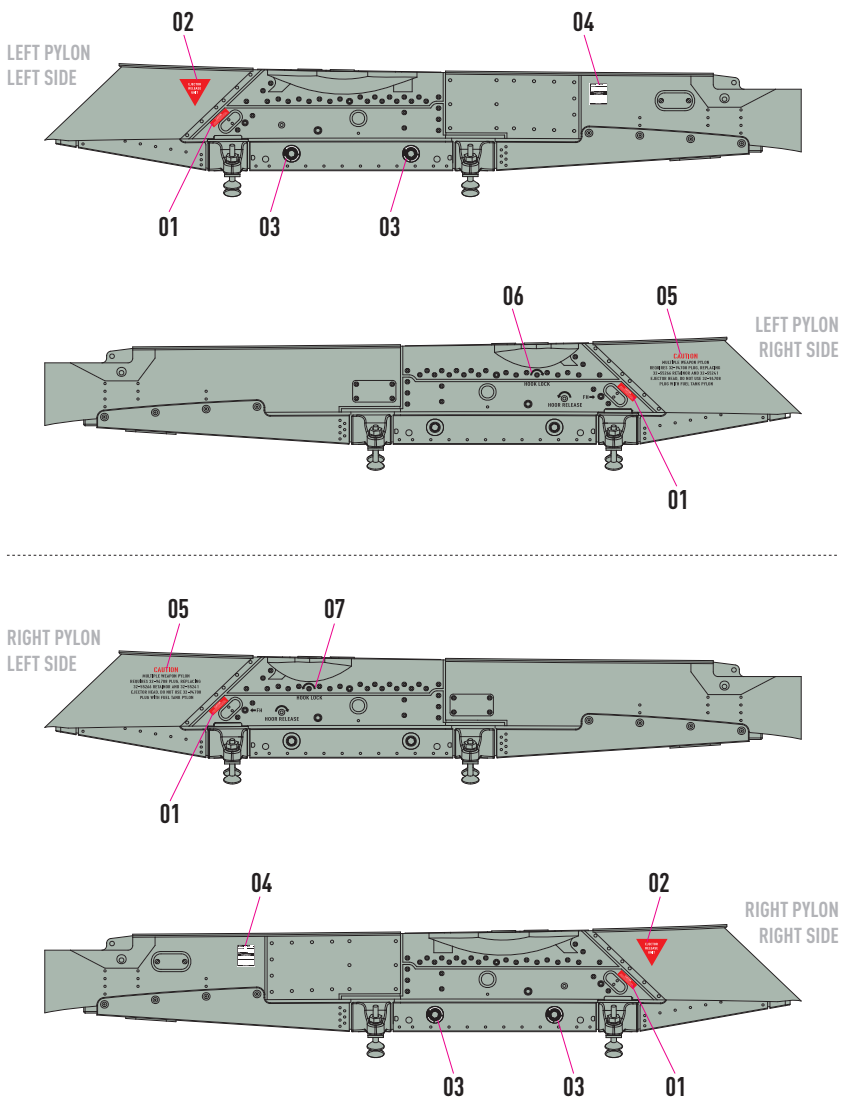
NOTE MOUNTINGS WERE MADE IN IDLE
UNLOADED (SYMMETRICAL) POSITION

2 LEFT WING PYLON



NOTE MOUNTINGS WERE MADE IN IDLE
UNLOADED (SYMMETRICAL) POSITION





PAINT PYLONS IN THE COLOR OF THE AIRCRAFT