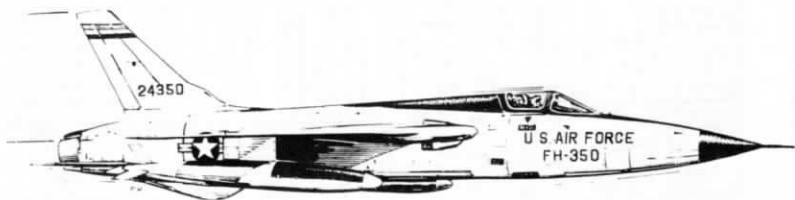


1/72 SCALE McDONNELL PHANTOM II F-4J



HASEGAWA'S 1/72 SERIES

- | | |
|--------|------------------------------------|
| No. 1 | MIKOYAN MIG-21 FISHBED. |
| No. 2 | LOCKHEED F-104J STARFIGHTER. |
| No. 3 | REPUBLIC F-105D THUNDERCHIEF. |
| No. 4 | KAWANISHI TYPE2 FLYING BOAT(H8K2). |
| No. 5 | NORTH AMERICAN F-86F SABER. |
| No. 6 | NORTHROP F-5A FREEDOM FIGHTER. |
| No. 7 | NORTHROP T-38A TALON. |
| No. 8 | LTV. A-7A CORSAIR II |
| No. 9 | BAC LIGHTNING F-MK.6. F.MK.6. |
| No. 10 | McDONNELL PHANTOM II F-4J |

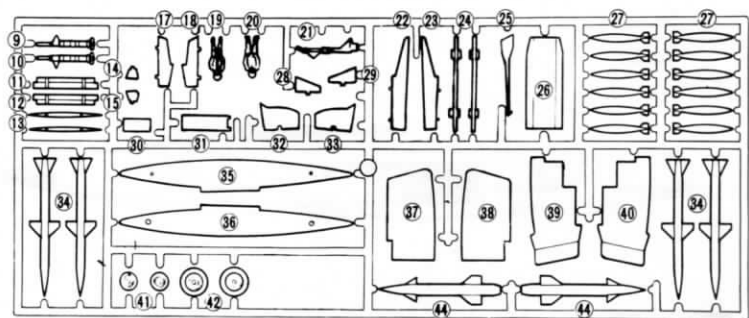
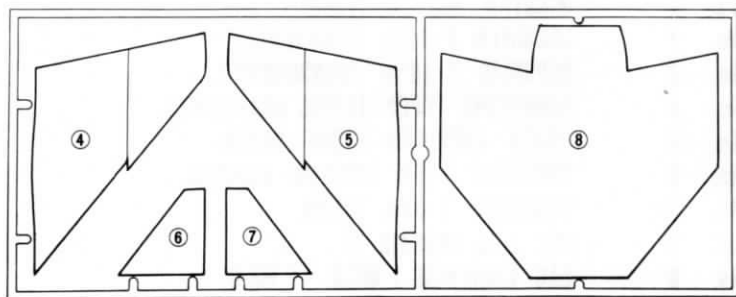
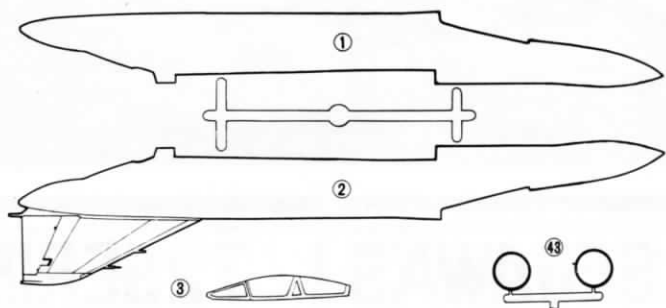


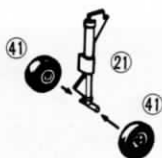
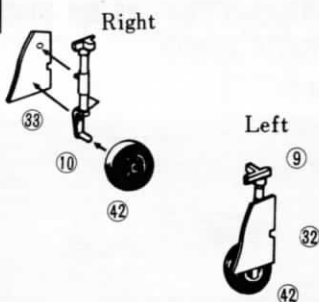
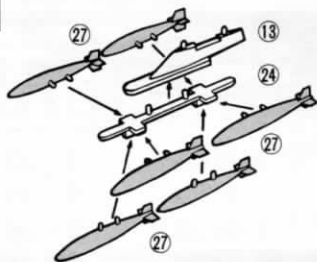
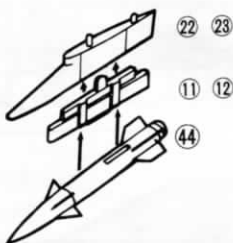
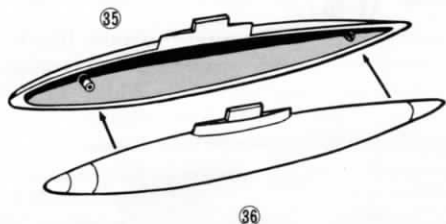
Kit No. MJ-01:350

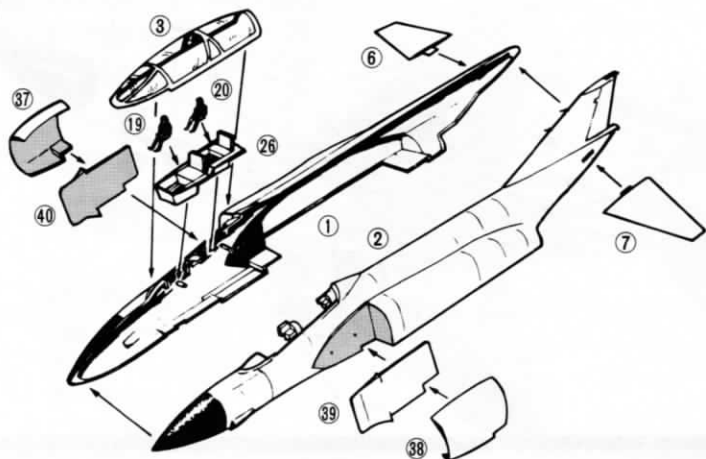
HASEGAWA PLASTIC MODEL CO., LTD.

PART DRAWINGS AND PART NUMBERS (Before Assembling Your Kit)

Read these instructions carefully before assembling your model and check the exact fit of the parts before cementing. Clean off excess plastic, if any, with a sharp knife or a file. Since many tiny parts are included, check them with the assembly drawing before assembling. Do not tear off parts from the stem, but cut them off carefully with nippers or tinsnips. Do not cut off all of the parts at the beginning, but cut each part to be assembled one by one to assure each part being properly identified. Do not use too much adhesive because surplus adhesive will spoil the appearance.

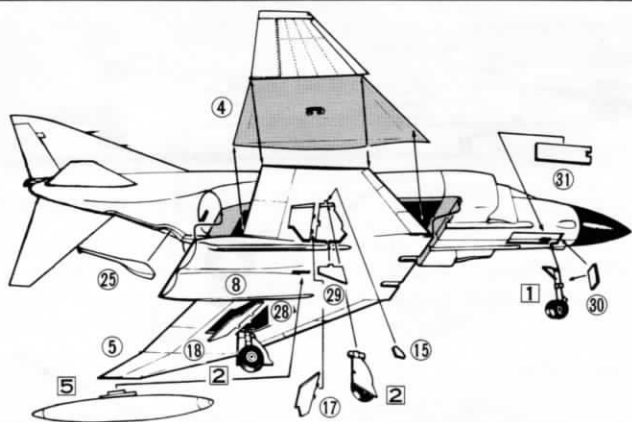


1**1** Assembling of nose wheel.**2****2** Assembling of main wheel.**3****3** Assembling of bomb.**4****4** Assembling of bullpup A.S.M.**5****5** Assembling of additional fuel tank.

6

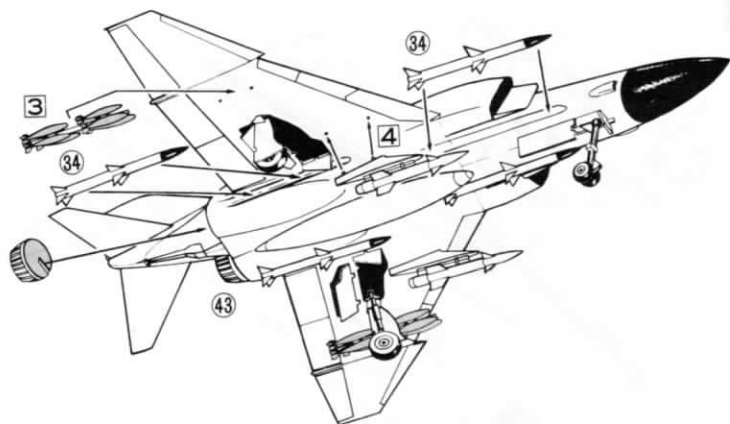
6 Assembling of fuselage, cockpit, air intake, tail and canopy.

- (1) Fix the cockpit into fuselage before bonding of both halves of fuselage together.
- (2) Cement 37 38 air intakes after bonding of 39 40 air intake boundary layer board.

7

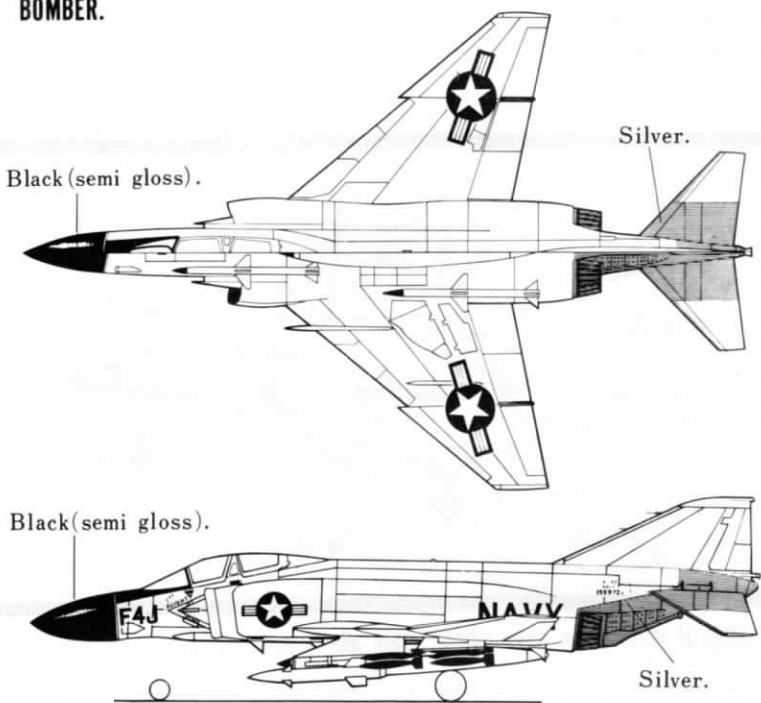
7 Fixing of main wing, nose wheel, main wheel and others.

Fix the other parts after bonding of each 4 5 8 main wing parts.



8 Fixing of missile, bomb and exhaust nozzle.






F-4J PHANTOM II US NAVY FIGHTER
BOMBER.

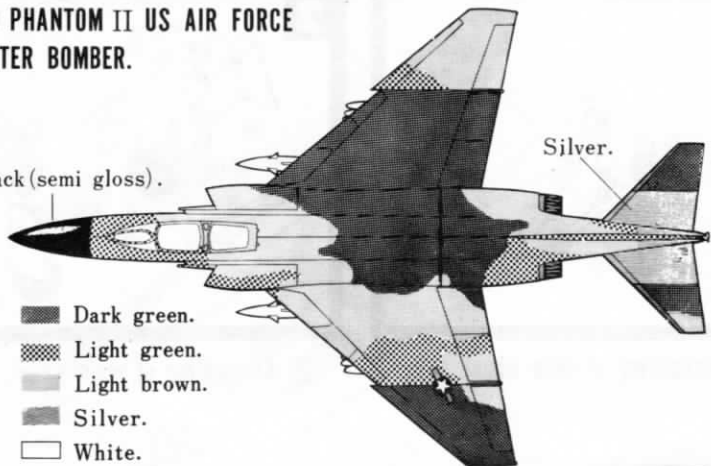


F-4D PHANTOM II US AIR FORCE FIGHTER BOMBER.

Black (semi gloss).

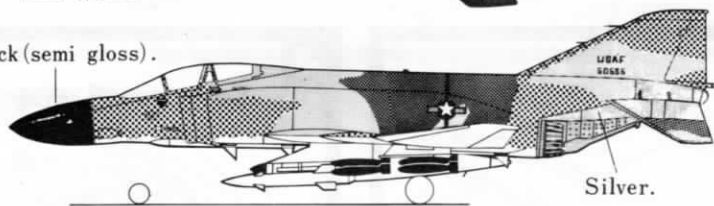
Silver.

-  Dark green.
-  Light green.
-  Light brown.
-  Silver.
-  White.



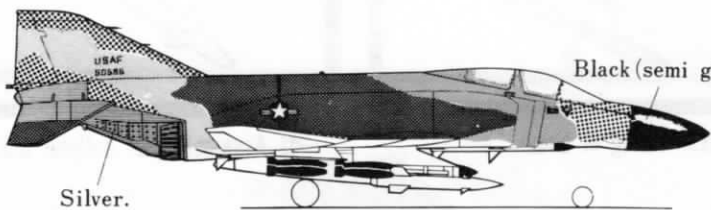
Black (semi gloss).

Silver.



Black (semi gloss).

Silver.



Reference for painting. (F-4J) (F-4D)

Interior cockpit.....	Green. Black.
Instrument panel.....	Black (semigloss). Silver.
Pilot helmet.....	White. Yellow. Red.
Pilot suit.....	Orange.
Pilot shoes.....	Black.
Pilot stick.....	Silver.
Bomb.....	Black. Brown.
Bullpup (ASM).....	White.
Sparrow (AMA).....	White. Ahead-Silver blue. Red.
Fuel tank.....	White. Ahead-Silver blue.
Main landing gear.....	White.
Main landing position.....	White.
Wheel.....	Black (semigloss).
Inside of air intake.....	White.
Nose.....	Black (semi gloss).

J 型マーク



F-4J
NAVY
153072z



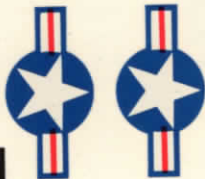
F4J

F-4J
NAVY
153072z



F4J

NAVY
NAVY



1ST
FLIGHT



DANGER

INTERARE

CLOCK



DANGER

INTERARE

1ST
FLIGHT

← 1000

1000

D 型マーク (迷彩)



USAF
50585

USAF
50585



MADE IN JAPAN



静岡 長谷川製作所

1/72 ファントム II

スライド式転写マーク使用法

1. 水に30秒位つけて下さい
2. 表を上にして、ずらし取って下さい
3. やわらかい布で泡を押し出して下さい
4. かわかないうちは、マークにさわらないで下さい