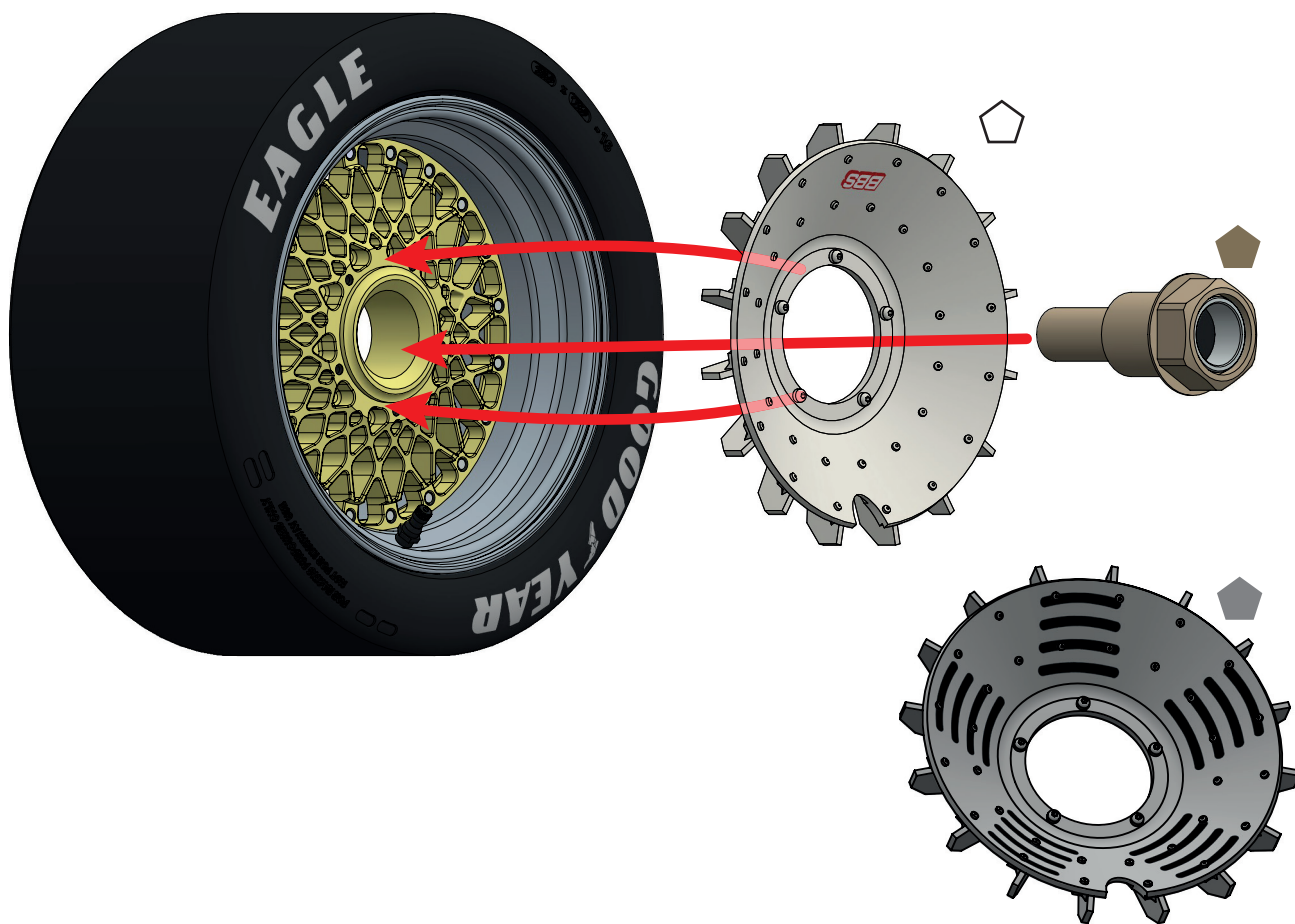


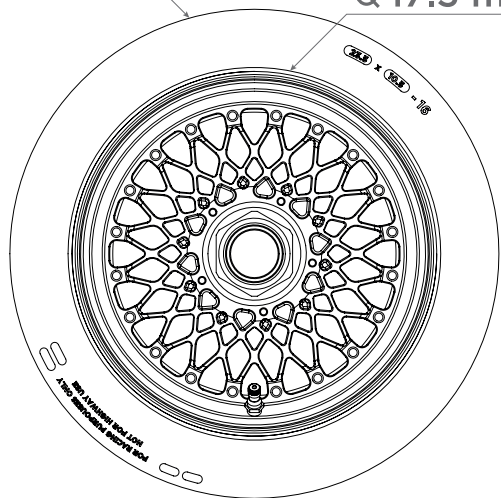
Use the supplied mask to paint the outer part of the rim ring after painting the tyres.



Paints required

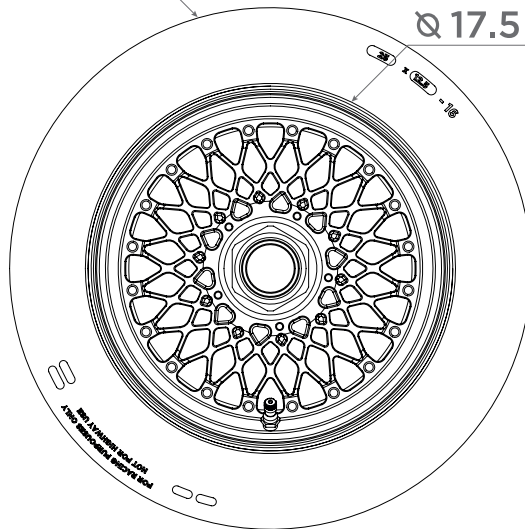
- TYRE BLACK (Number Five N5-X070)
- BBS GOLD (Number Five N5-X082)
- M1 WHITE (Number Five N5-C054)
- WHITE ALUMINIUM RAL9006 (Number Five N5-X019)
- TITANIUM EXHAUST (Number Five N5-X068)
- AK SUPER CHROME (AK Interactive AK9198)

∅ 24.0 mm

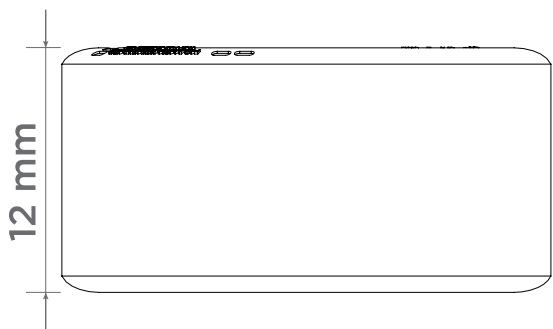


∅ 17.5 mm

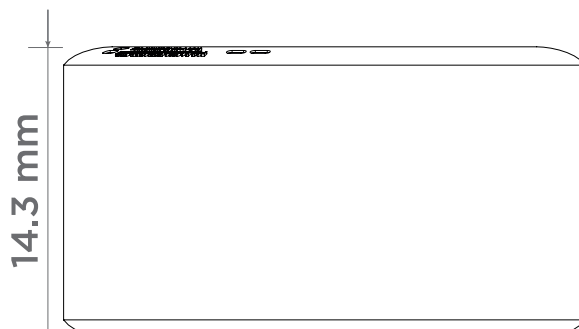
∅ 25.6 mm



∅ 17.5 mm

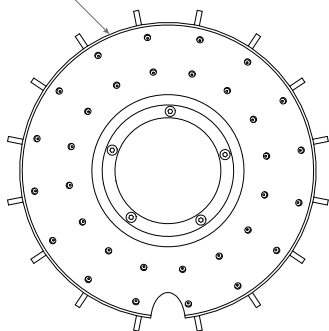


12 mm

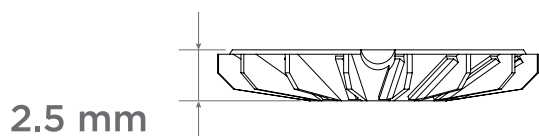
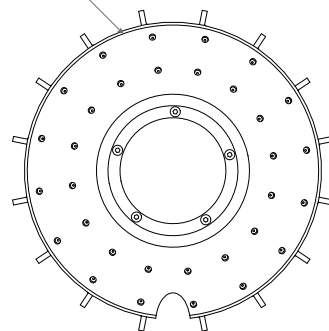


14.3 mm

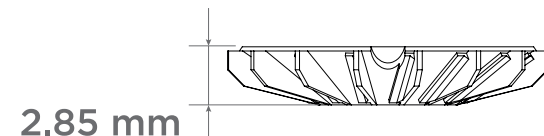
∅ 14.5 mm



∅ 14.5 mm



2.5 mm



2.85 mm

NOTE:



3D resin is fragile, so you should NOT use excessive force when joining the pieces or you risk breaking the parts. Carry out a test assembly before painting the parts, sanding where necessary and preferably the plastic parts of the kit, until the parts fit together with light pressure without being forced.