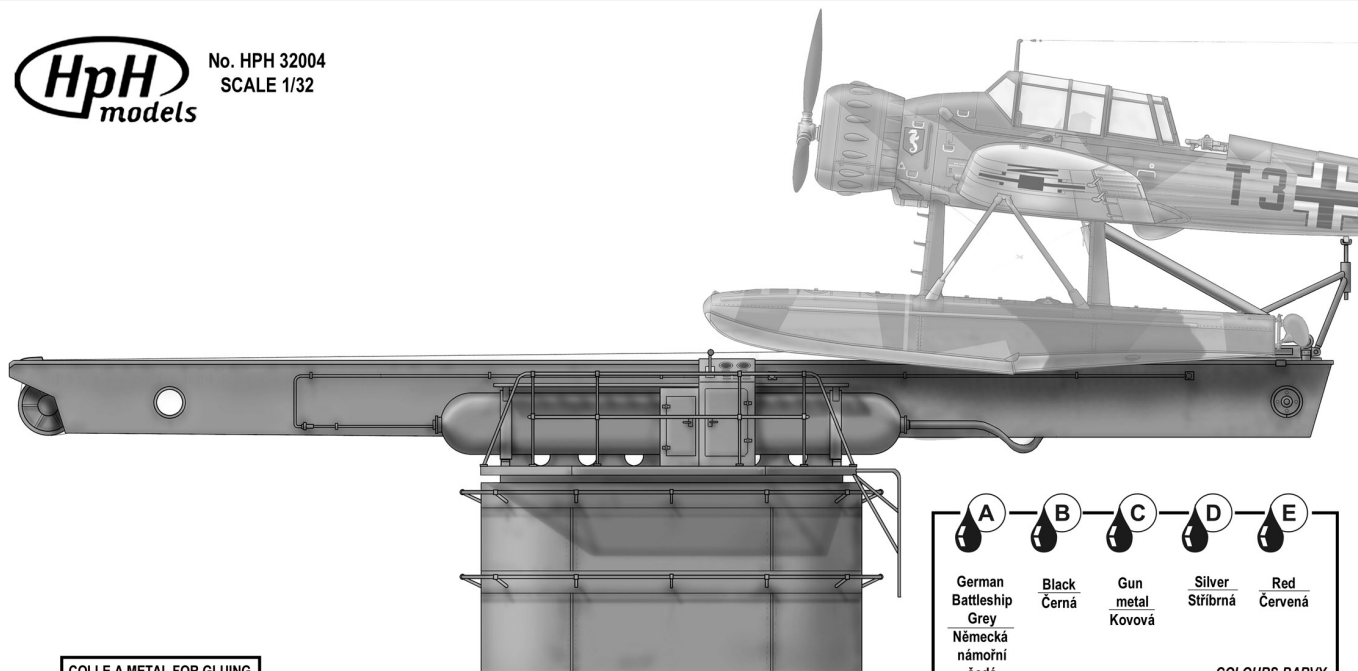


BOARD CATAPULT for Arado Ar 196



No. HPH 32004
SCALE 1/32



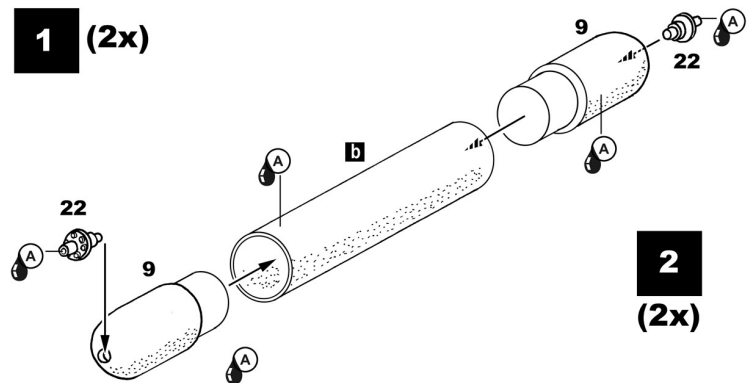
A	B	C	D	E
German Battleship Grey Německá námořní sedá	Black Černá	Gun metal Kovová	Silver Stříbrná	Red Červená

COLOURS-BARVY

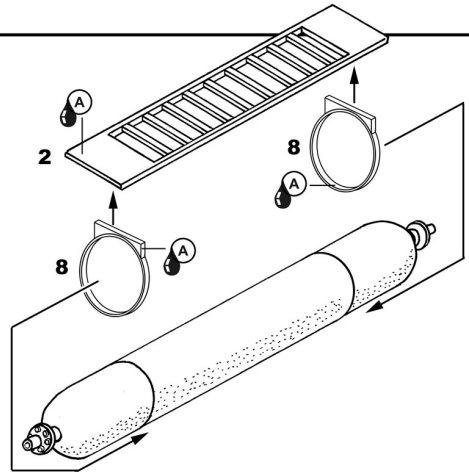
COLLE A METAL FOR GLUING
USE CYANOACRYLATE GLUE
POUŽÍT KYANOAKRYLÁTOVÉ
LEPIDLO

Parts list diagram showing various components numbered 1 through 38. Dimensions for parts 18, 19, and 20 are provided: $\phi 16 \times 42$ mm, $\phi 20 \times 110$ mm (2x), and $\phi 12 \times 117$ mm. Part 36 is a textured material. Part 37 is shown with a quantity of (4x).

1 (2x)

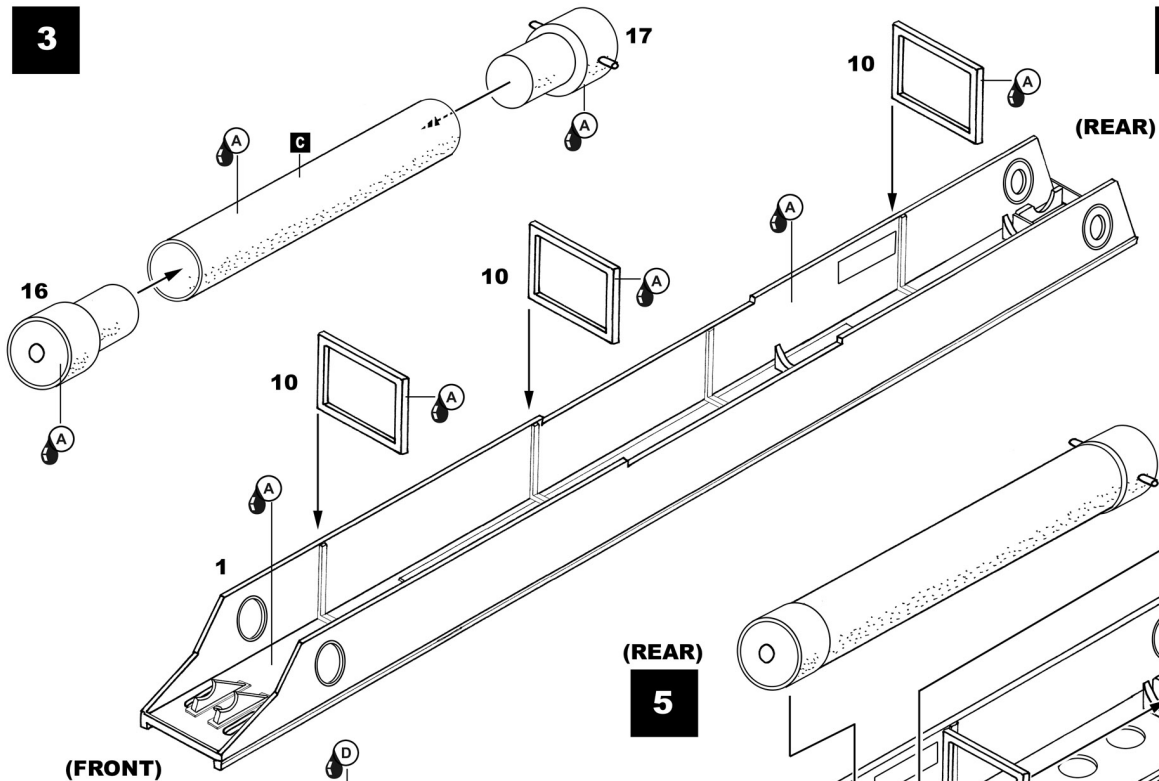


2 (2x)

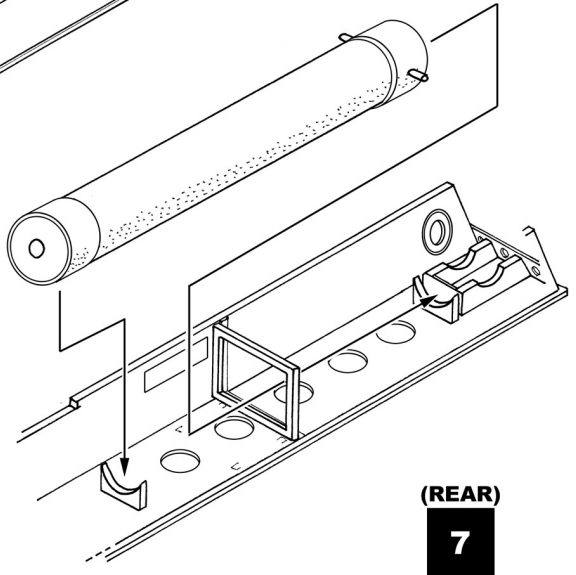


3

4

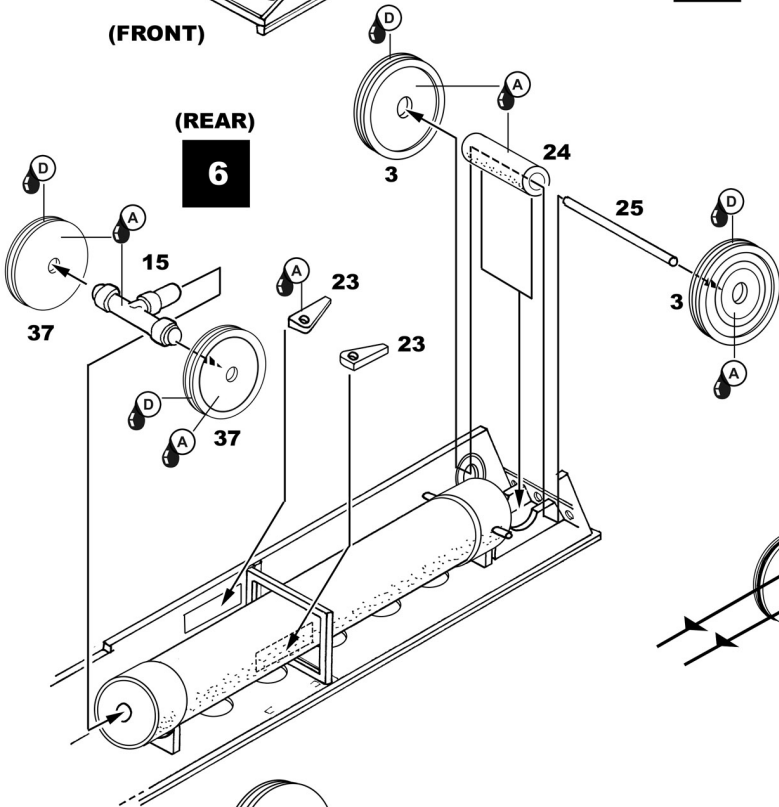


(REAR)
5

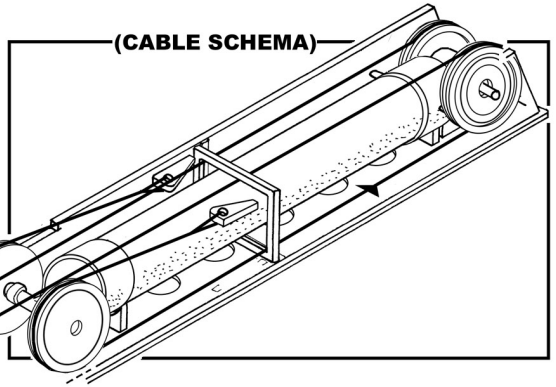


(FRONT)

(REAR)
6

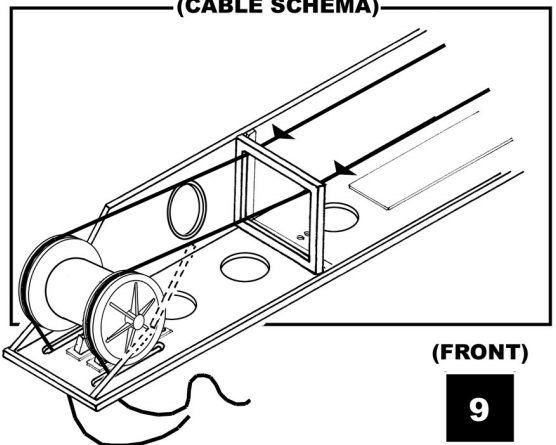
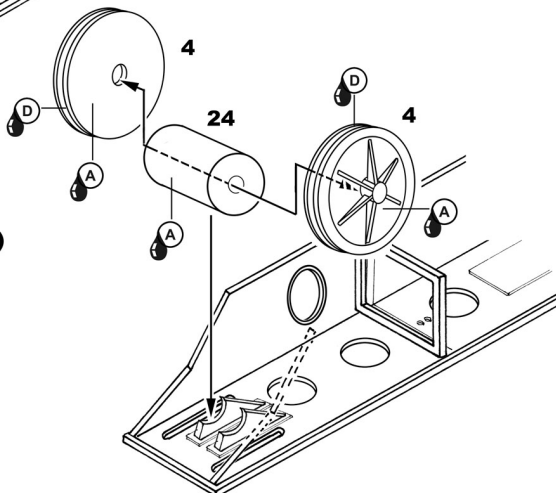


(REAR)
7



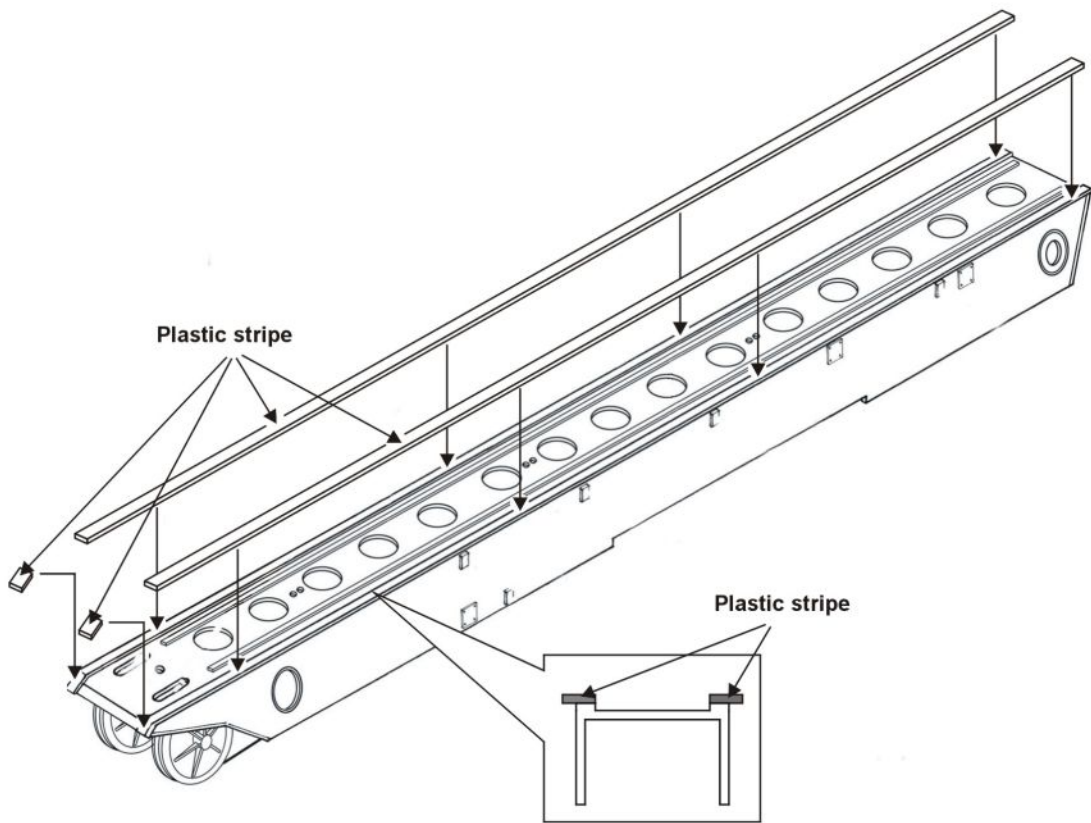
(CABLE SCHEMA)

(FRONT)
8

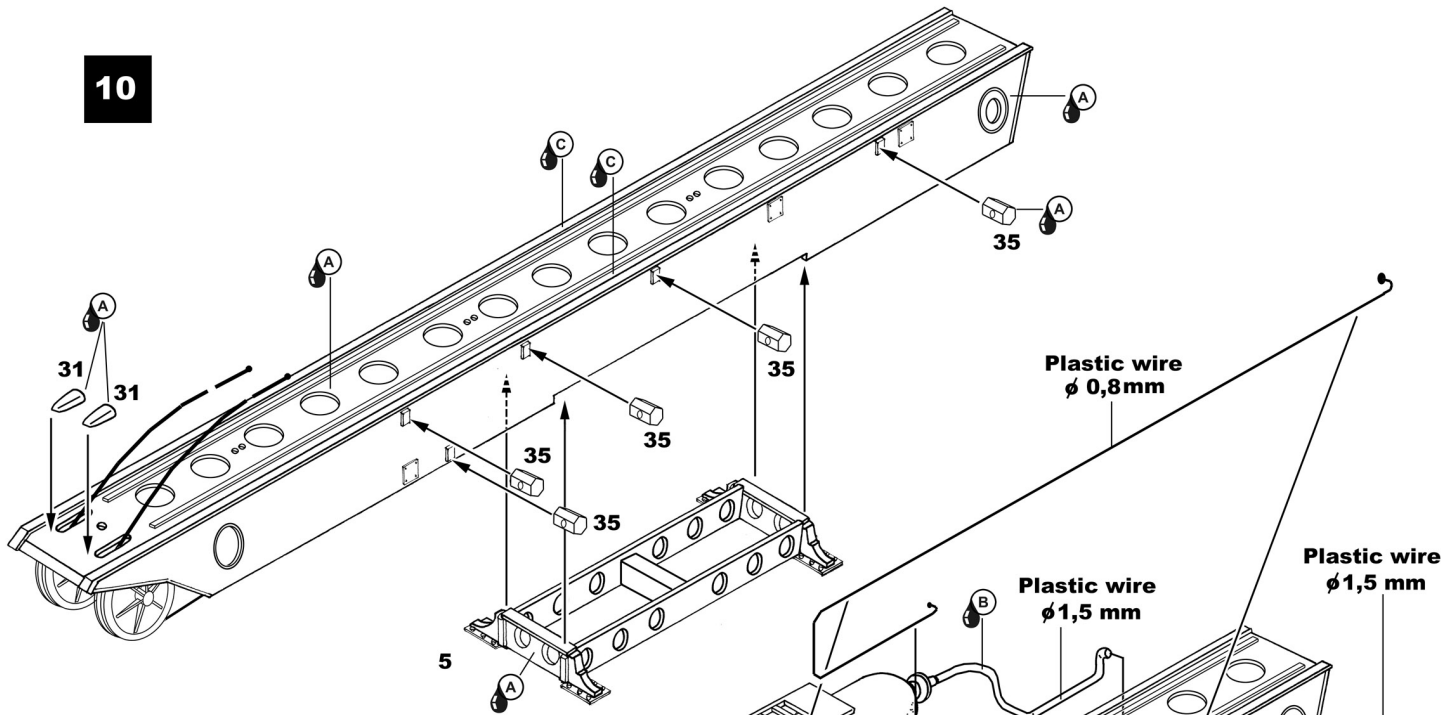


(FRONT)
9

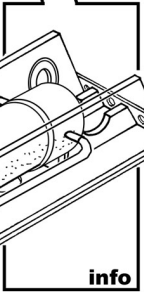
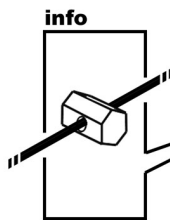
10a



10

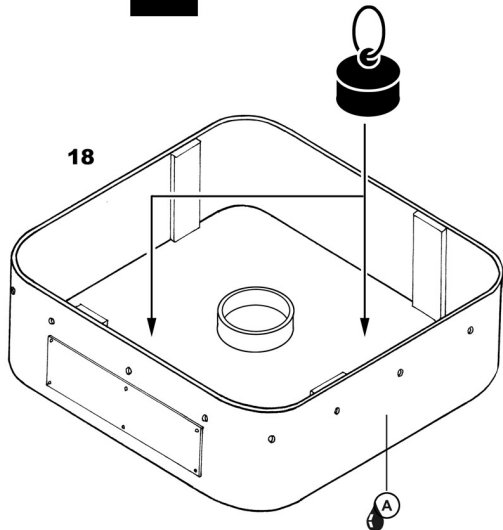


11

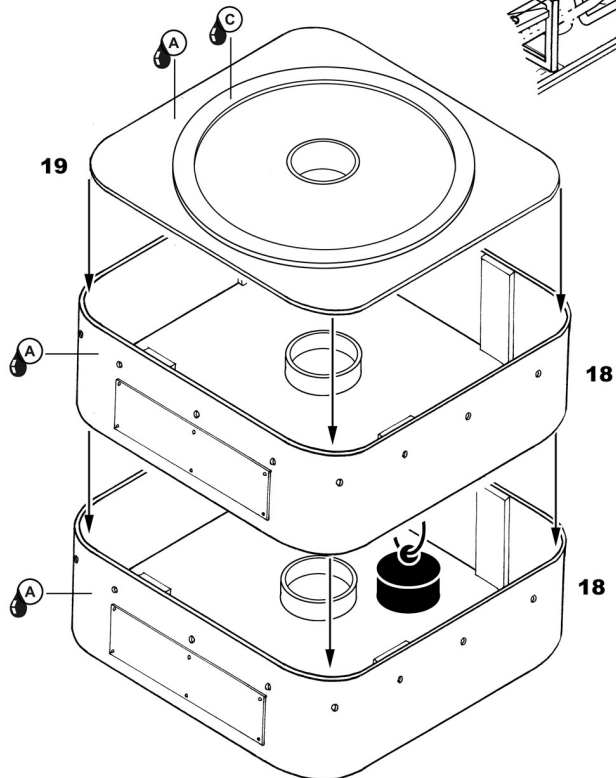


12

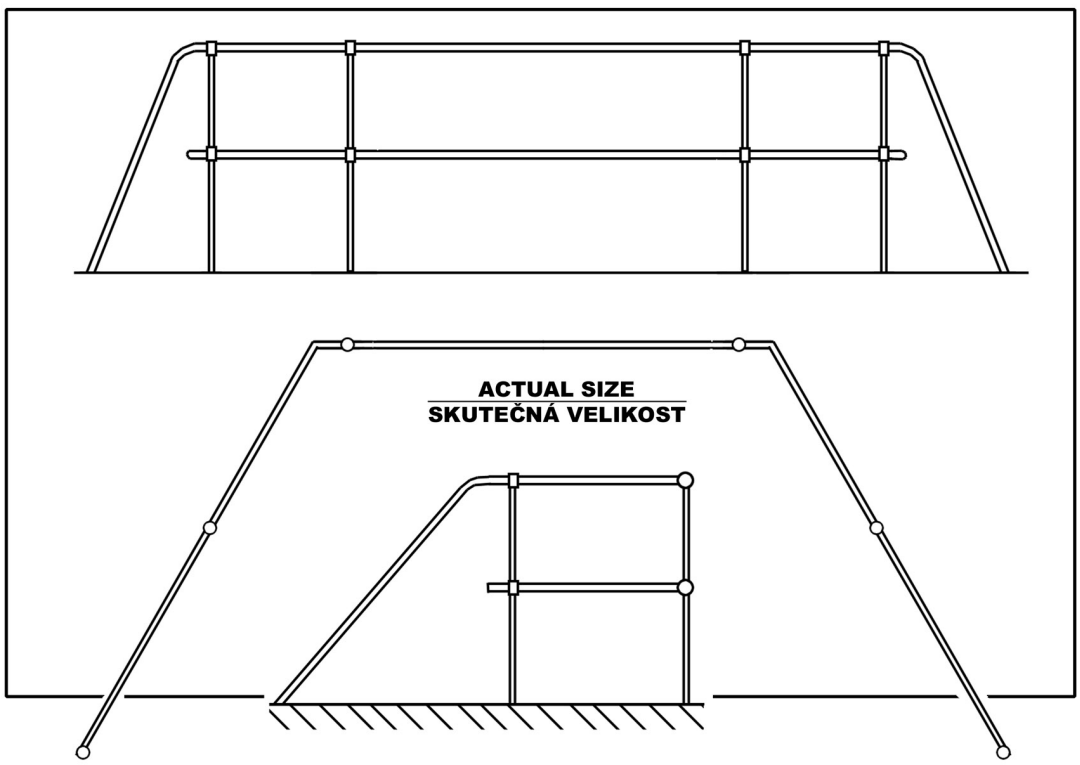
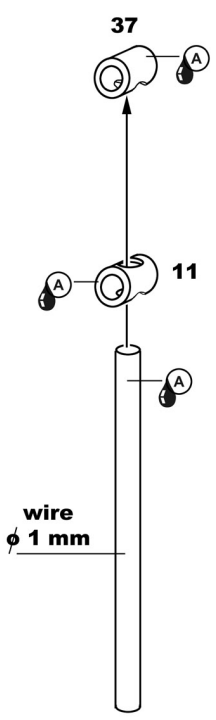
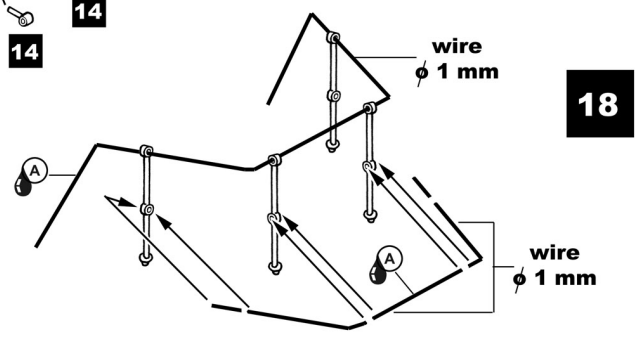
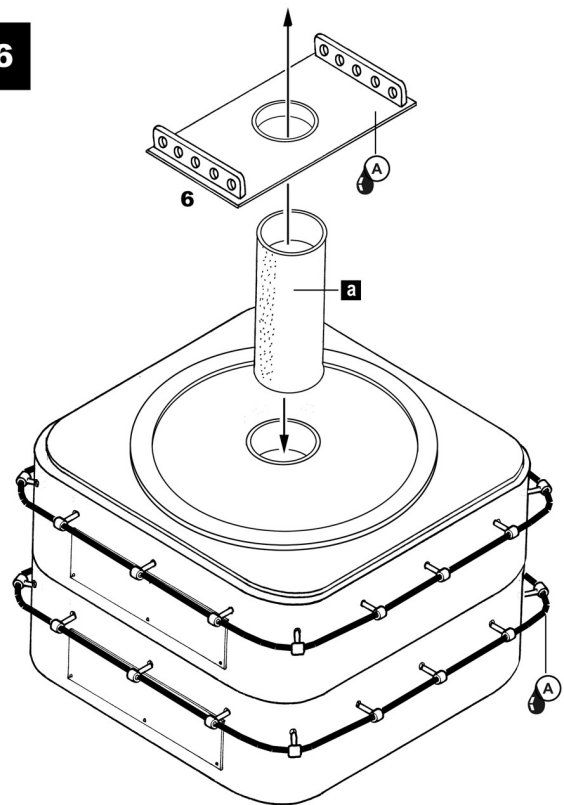
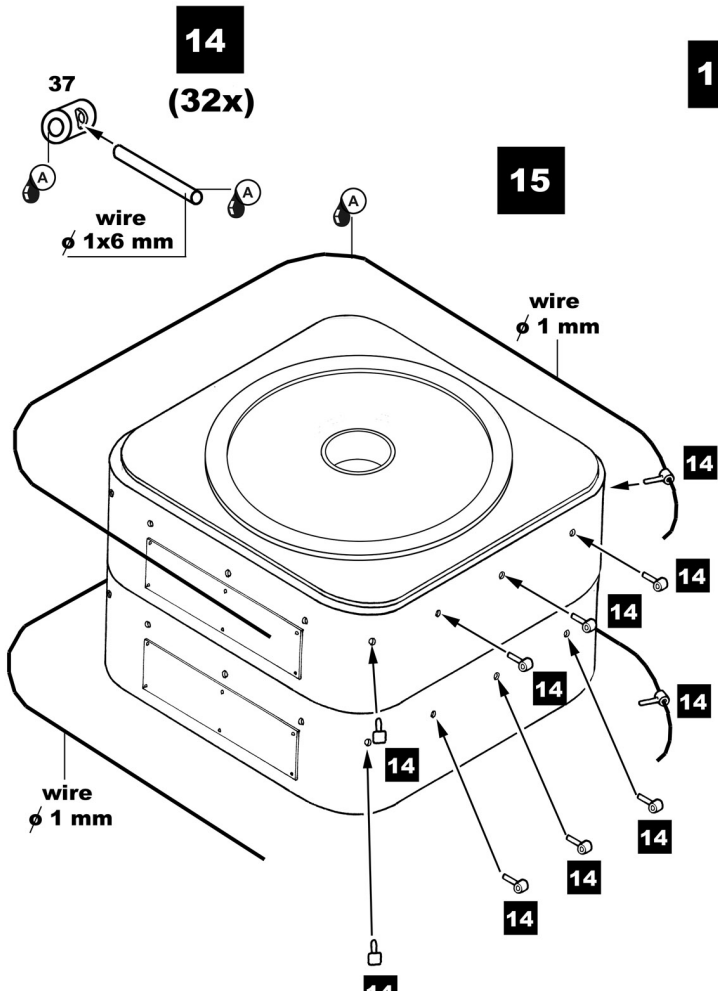
min. 0,75 - 1,0 kg



19

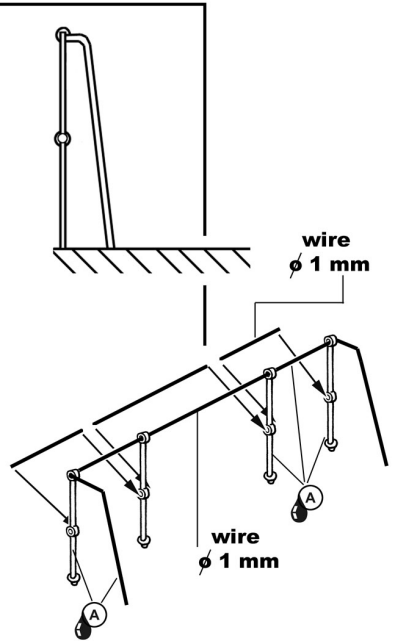
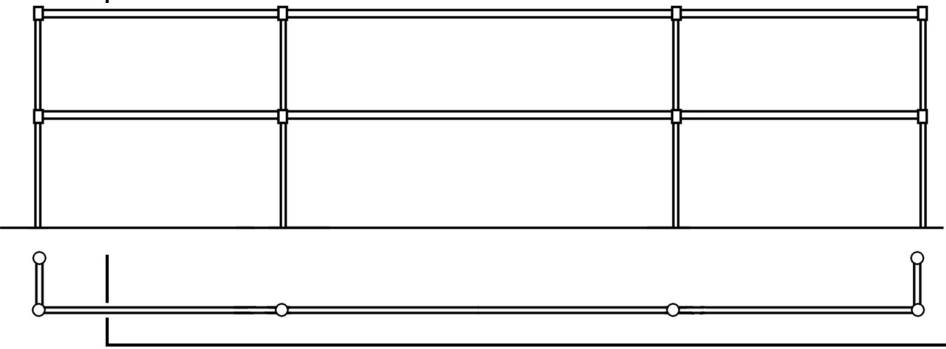


13

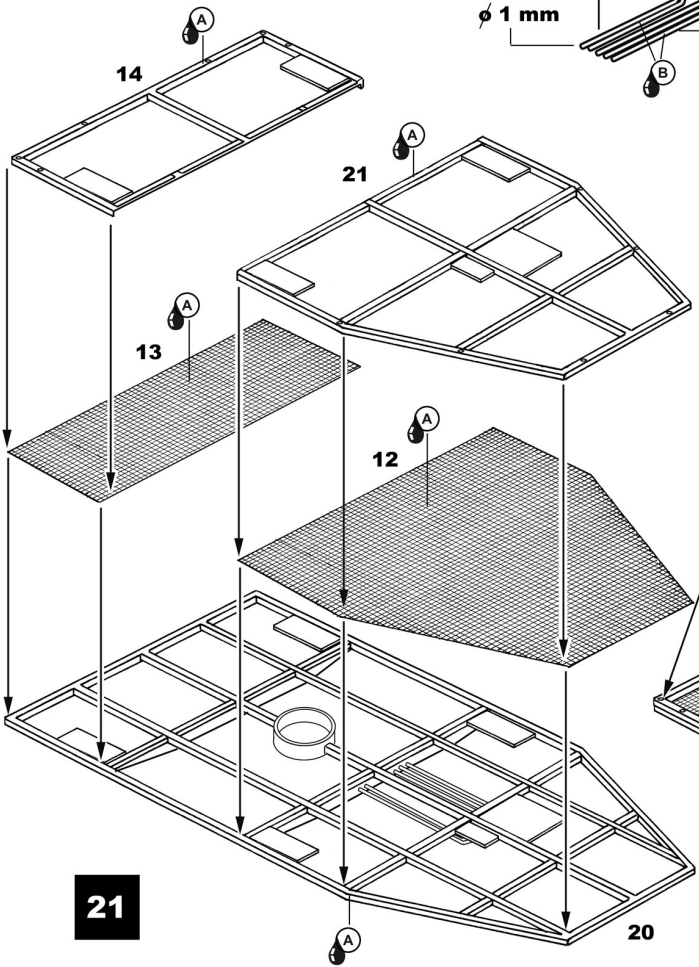
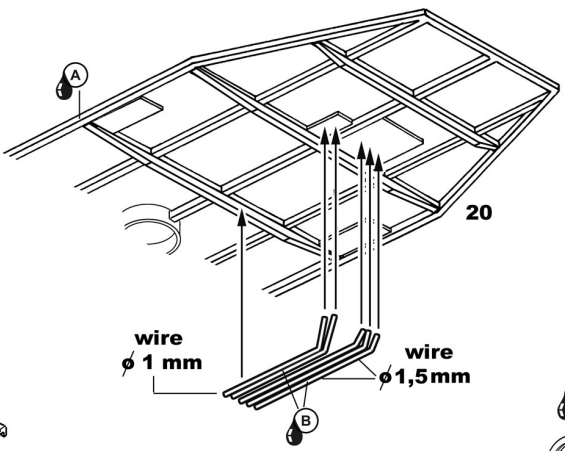


19

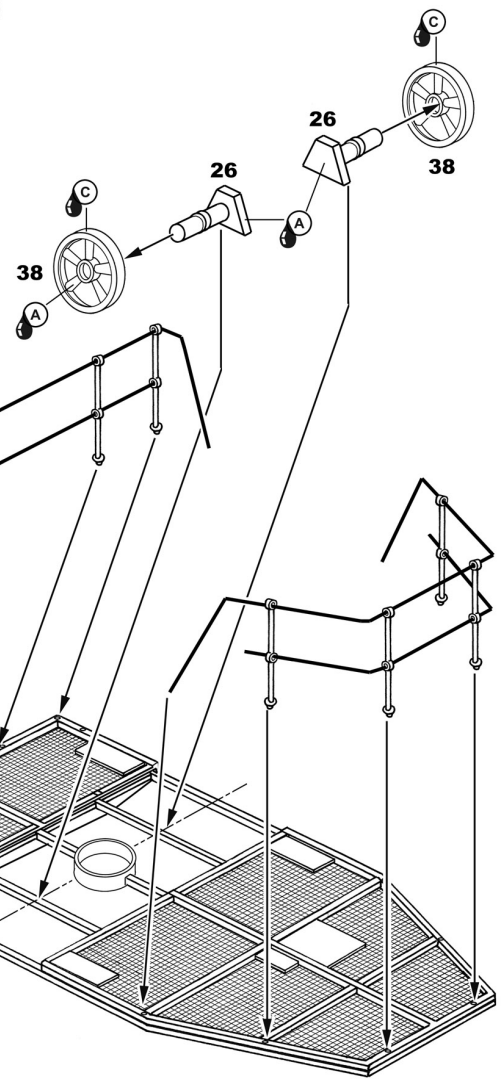
ACTUAL SIZE
SKUTEČNÁ VEĽIKOSŤ



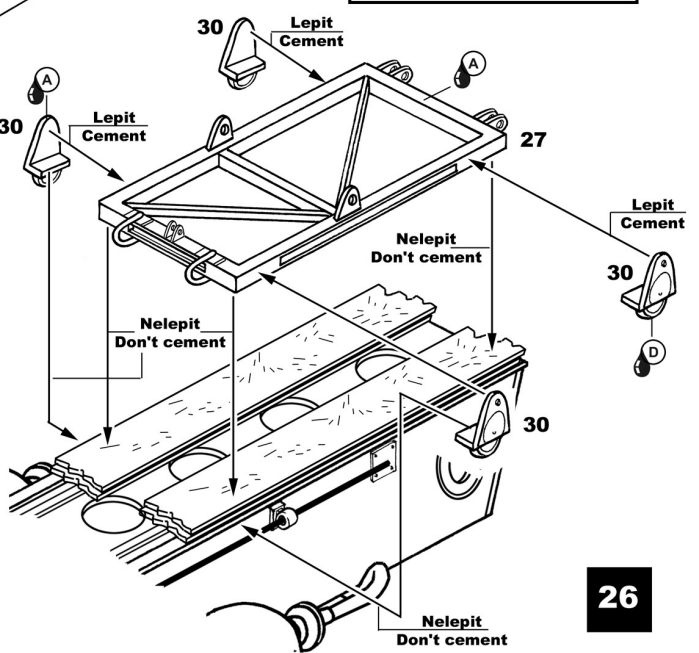
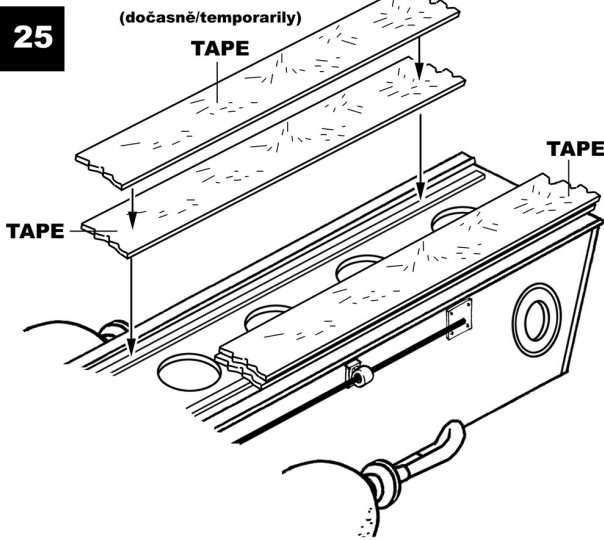
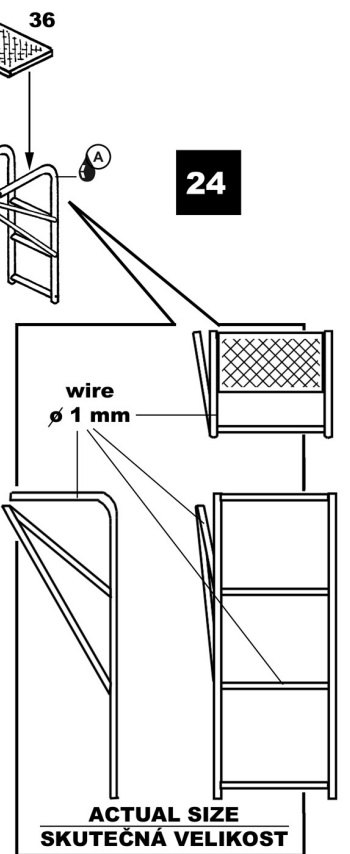
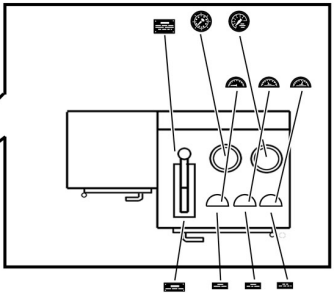
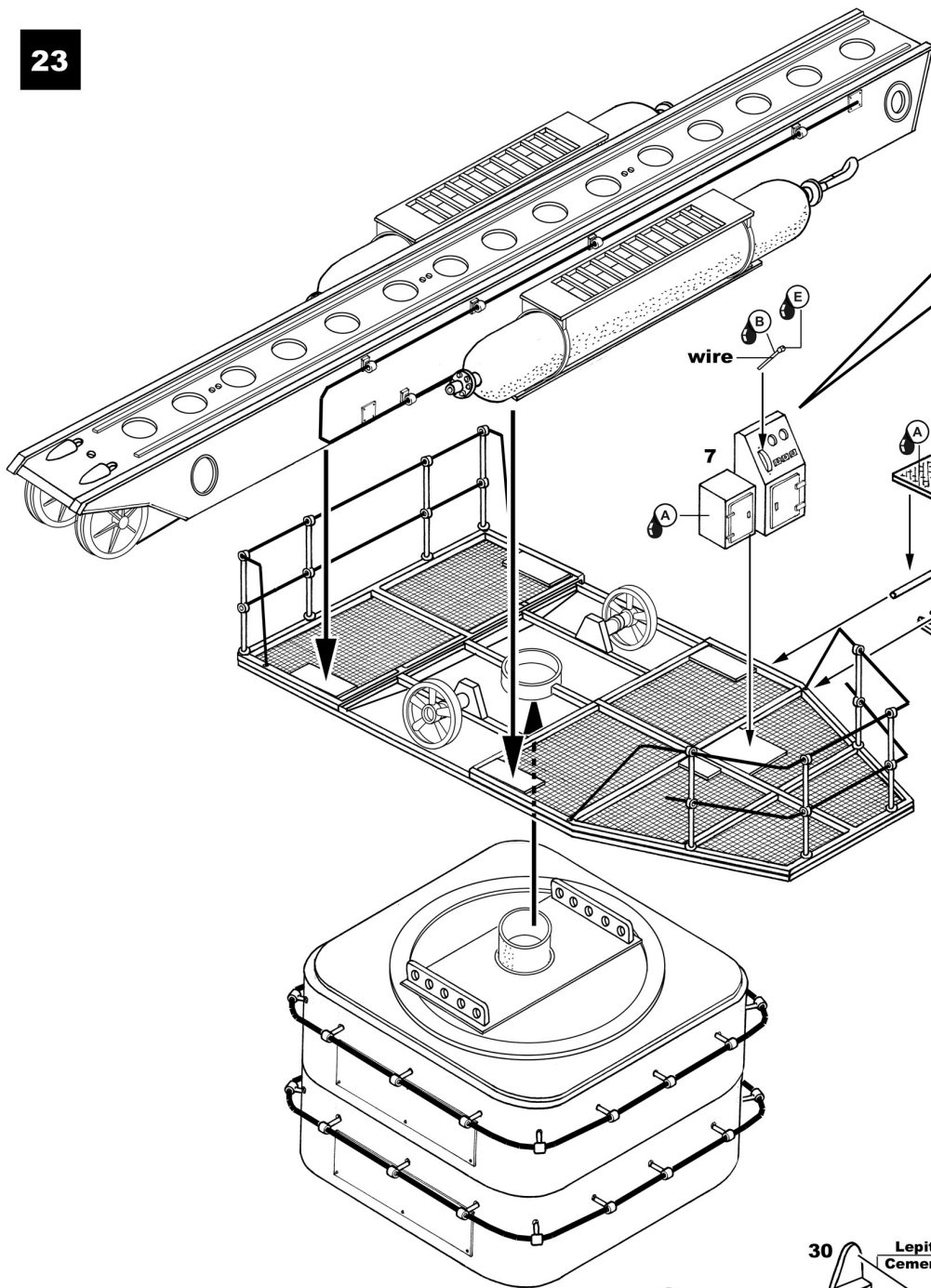
20



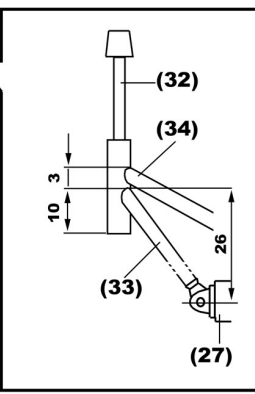
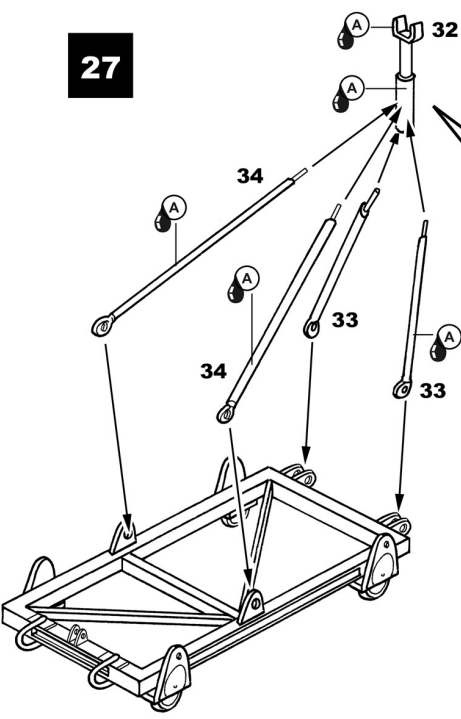
21



22

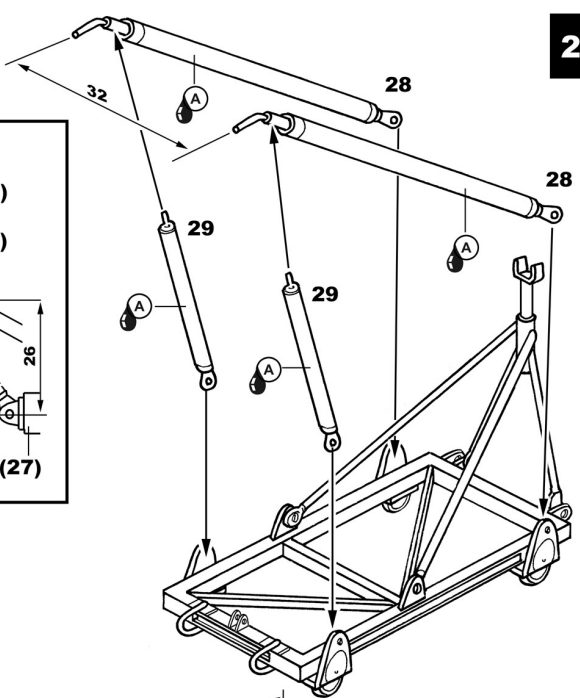


27



info

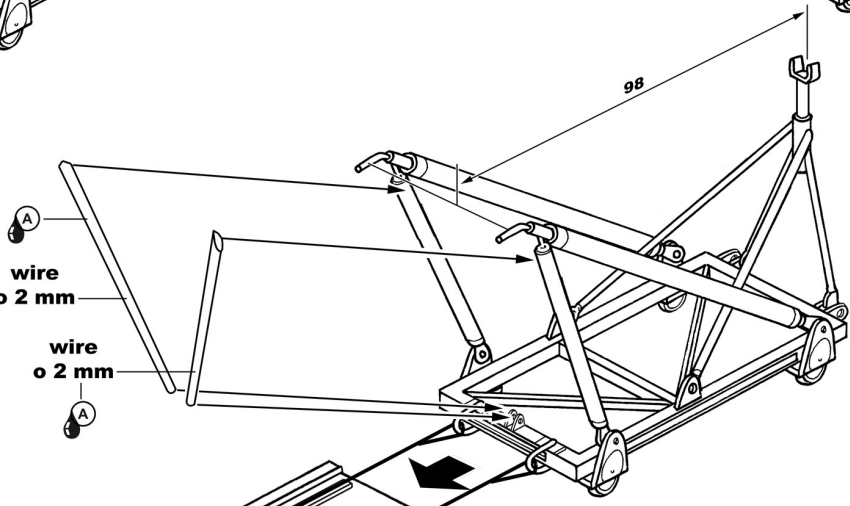
28



29

wire
o 2 mm

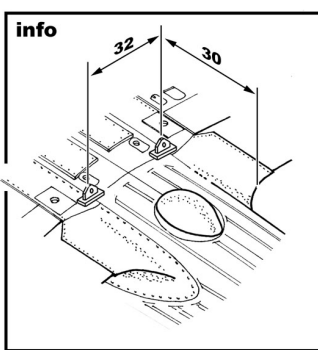
wire
o 2 mm



30

vyrobil
scratch
build

vyrobil
scratch
build



info

Arado Ar 196
(HPH kit No. 32003)

