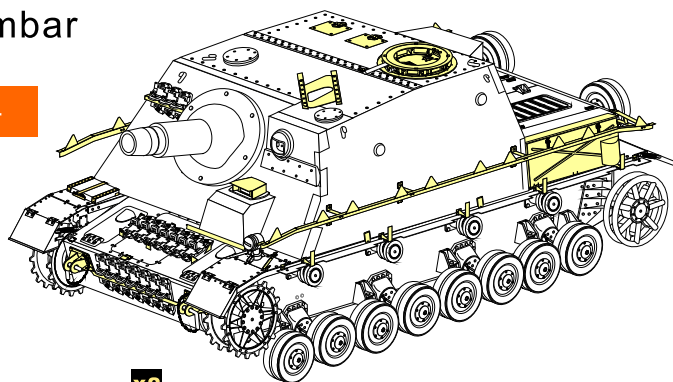


1/35 MILITARY MINIATURE VEHICLE UPGRADE SERIES PE35922

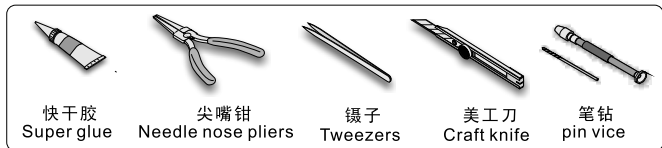
## WWII German Sturmpanzer IV Brummbar Late Version Basic

### 二战德军“灰熊”突击炮晚期型基本改造件

[For TAMIYA 35353]



**推荐使用工具 RECOMMENDED TOOLS**



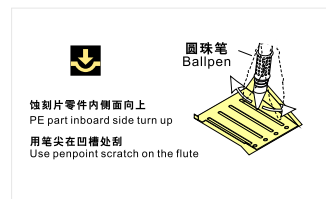
- 安装  
install
- 折叠  
bend
- A1**

改造件零件编号  
PE/resin part number
- B12**

原零件编号  
kit part number
- C22**

被替换的原零件编号  
replaced kit part number
- x2**

制作若干组  
multiple assembly
- 弧度卷曲  
radial bending
- 选择安装  
alternative
- 切除  
remove
- 钻孔  
drill
- 注意  
caution
- 另一侧相同制作  
repeat on opposite side
- 用尖端在凹槽处冲压  
use penpoint to press on the dent
- 打磨  
grind off
- 填补  
fill
- 用铜管制作  
make from brass tube
- 用胶棒制作  
make from plastic rod



**a**

反面  
Backside

正面  
Frontside

自制  
Scratch build

---

TOP

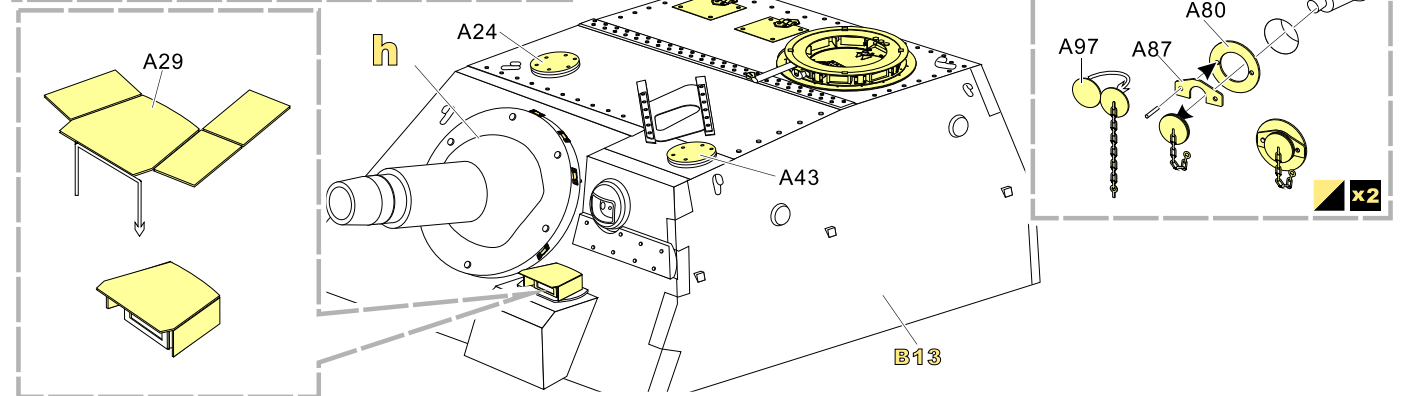
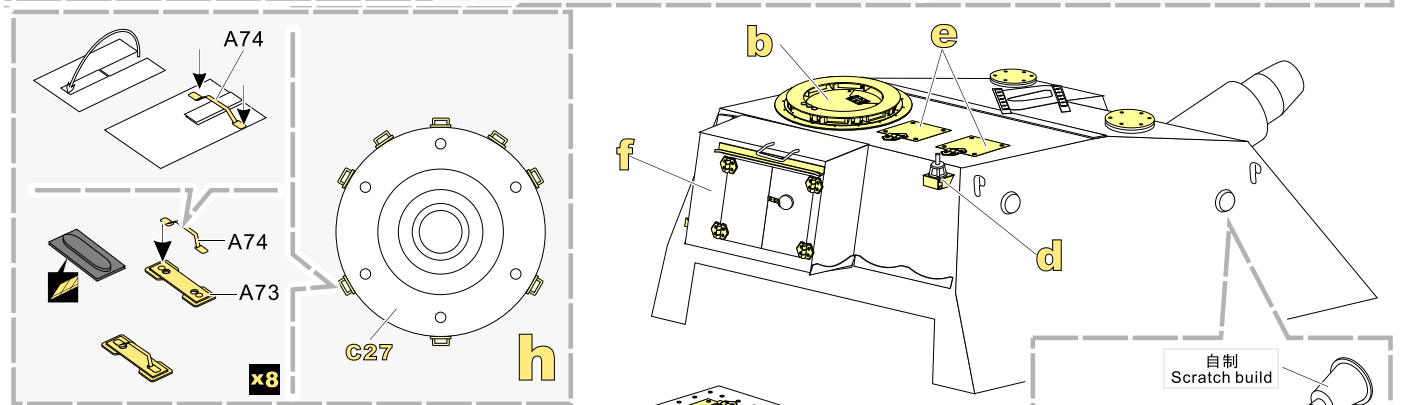
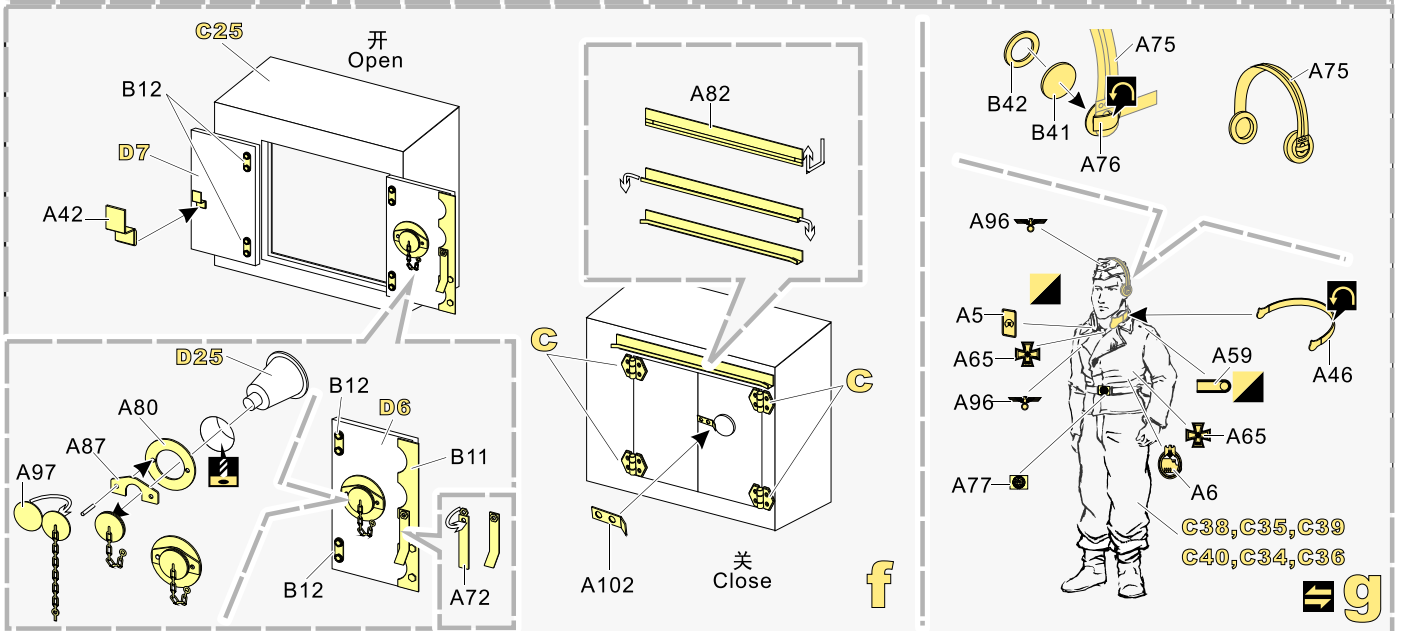
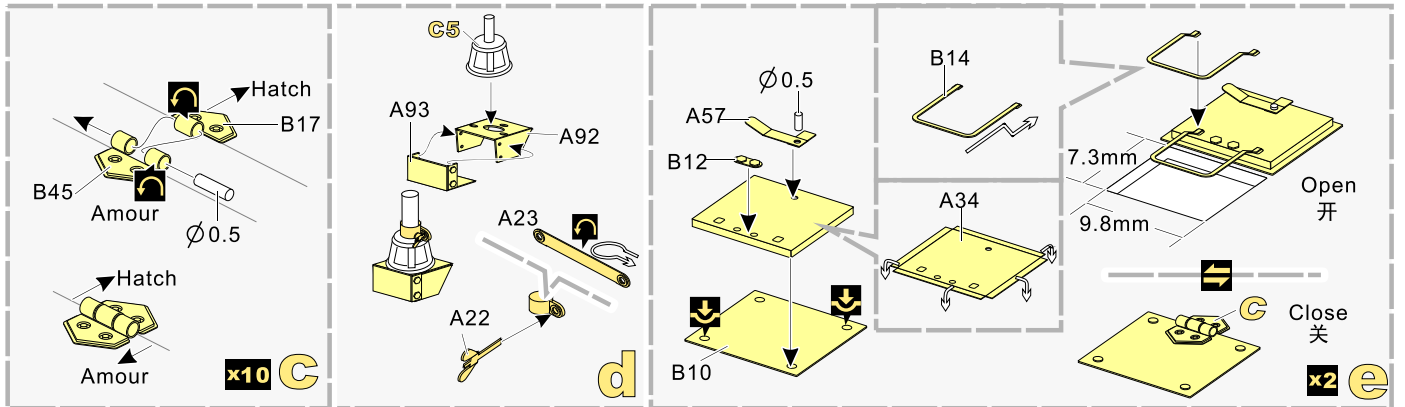
自制  
Scratch build

---

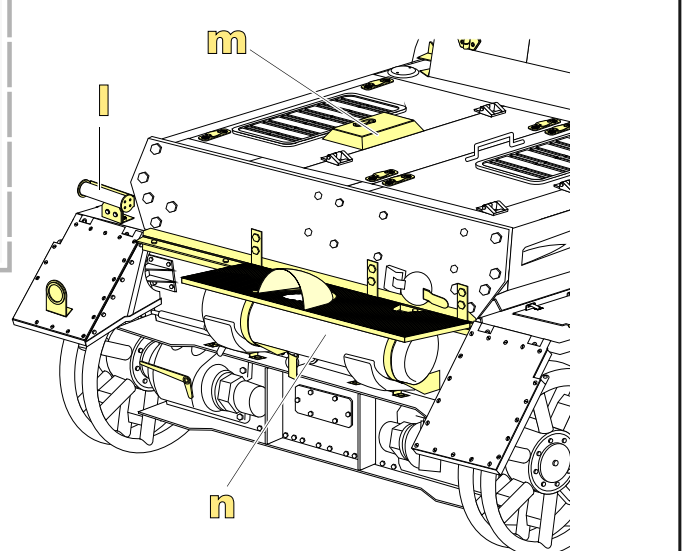
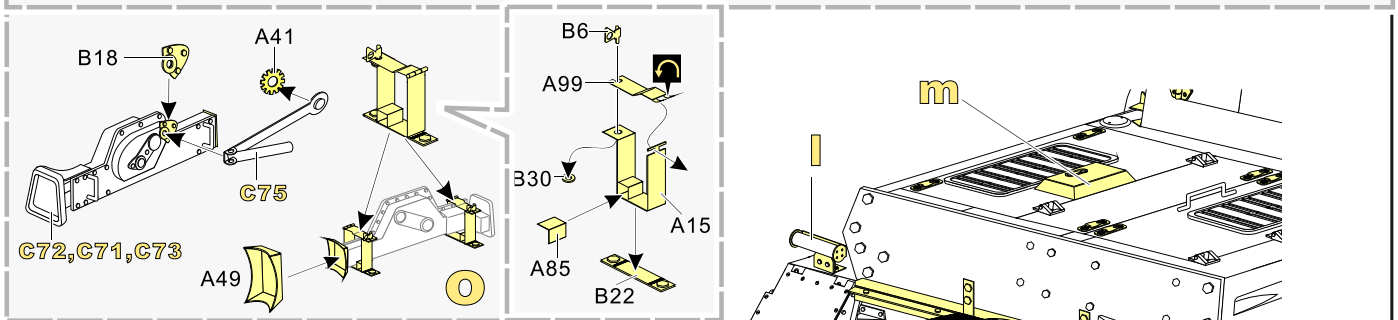
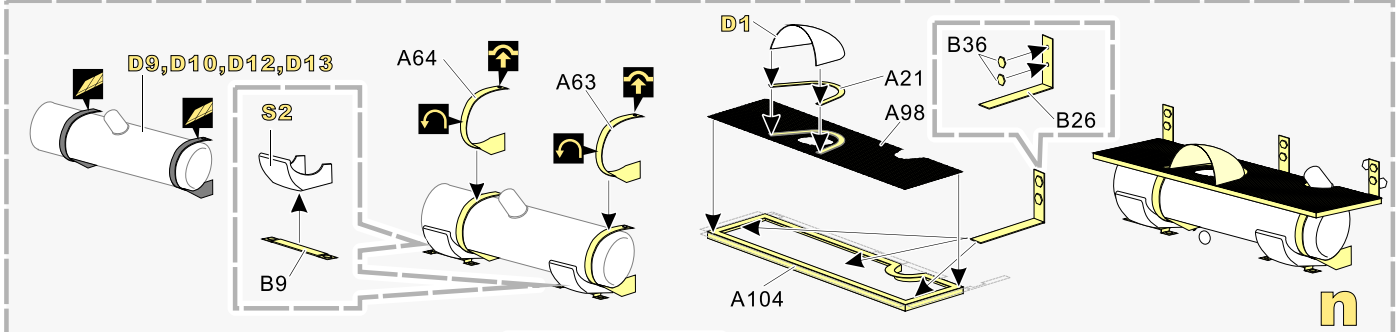
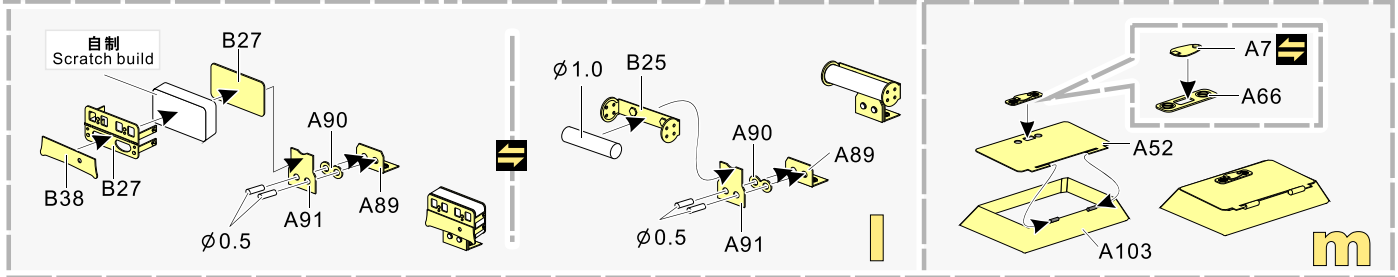
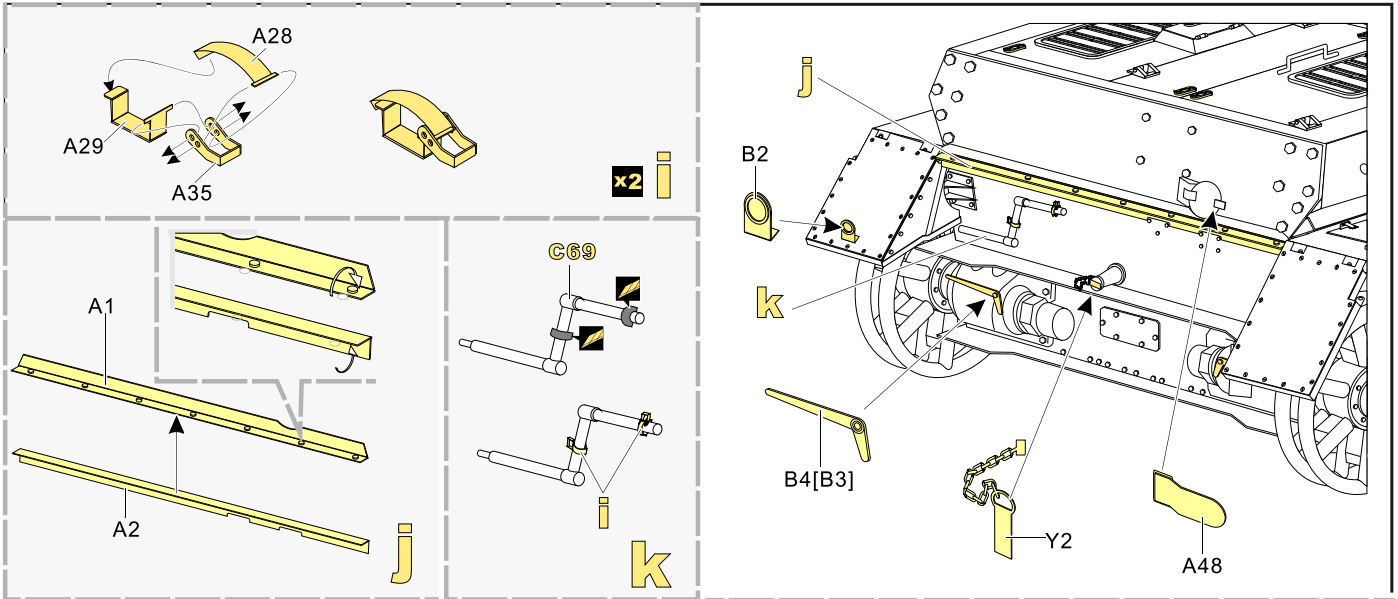
自制  
Scratch build

b

1/35 MILITARY MINIATURE VEHICLE UPGRADE SERIES PE35922



1/35 MILITARY MINIATURE VEHICLE UPGRADE SERIES PE35922

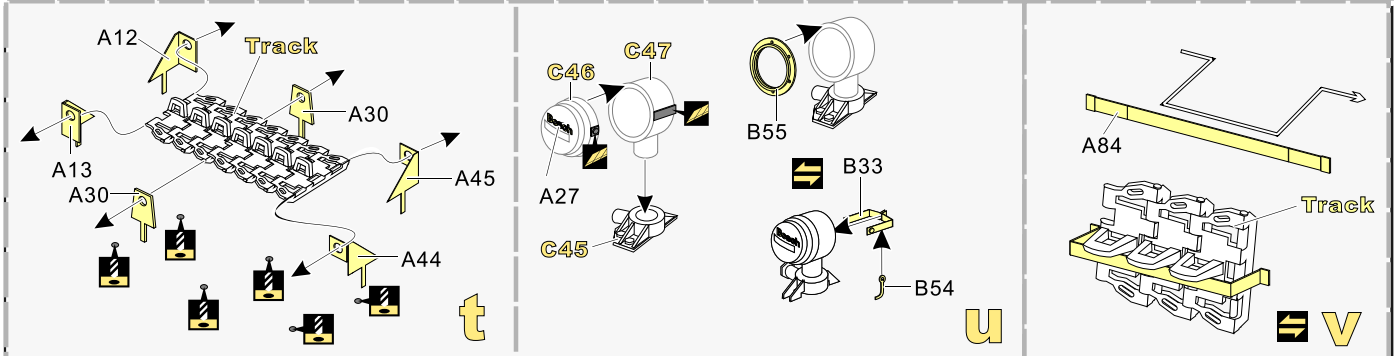
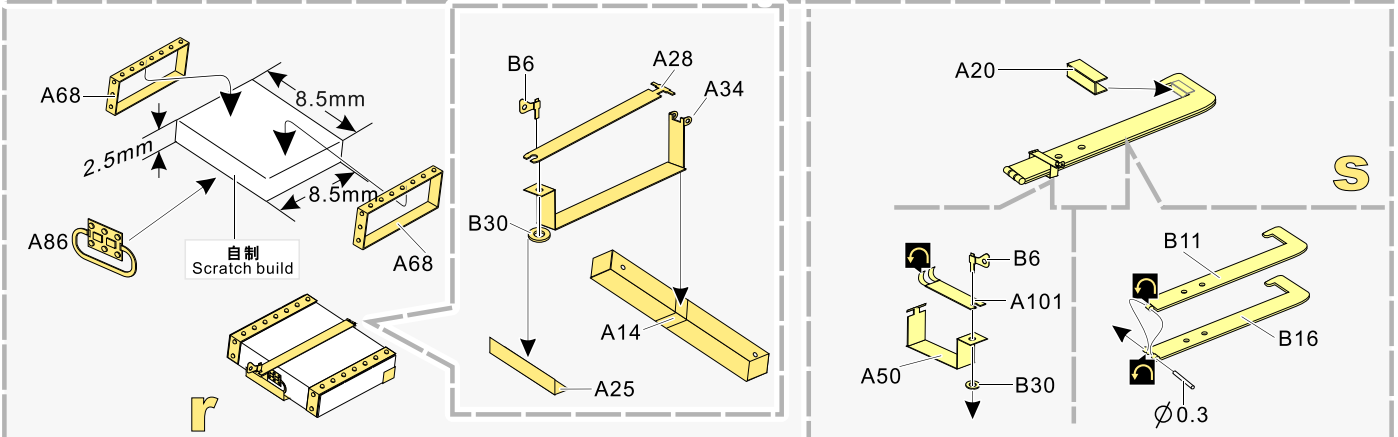
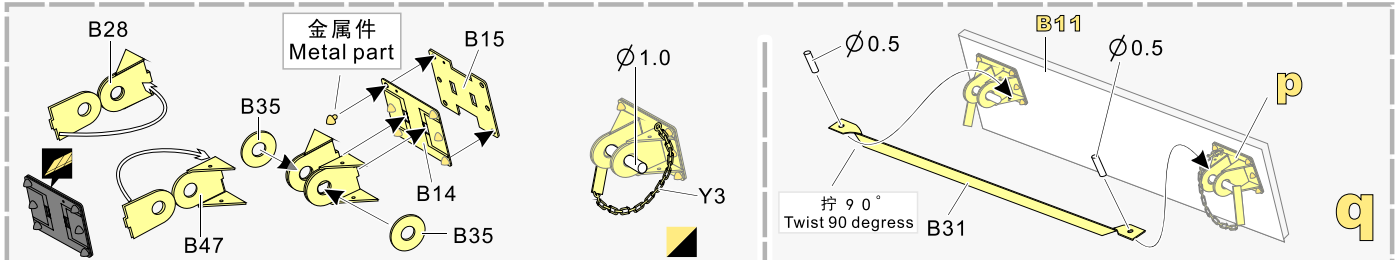
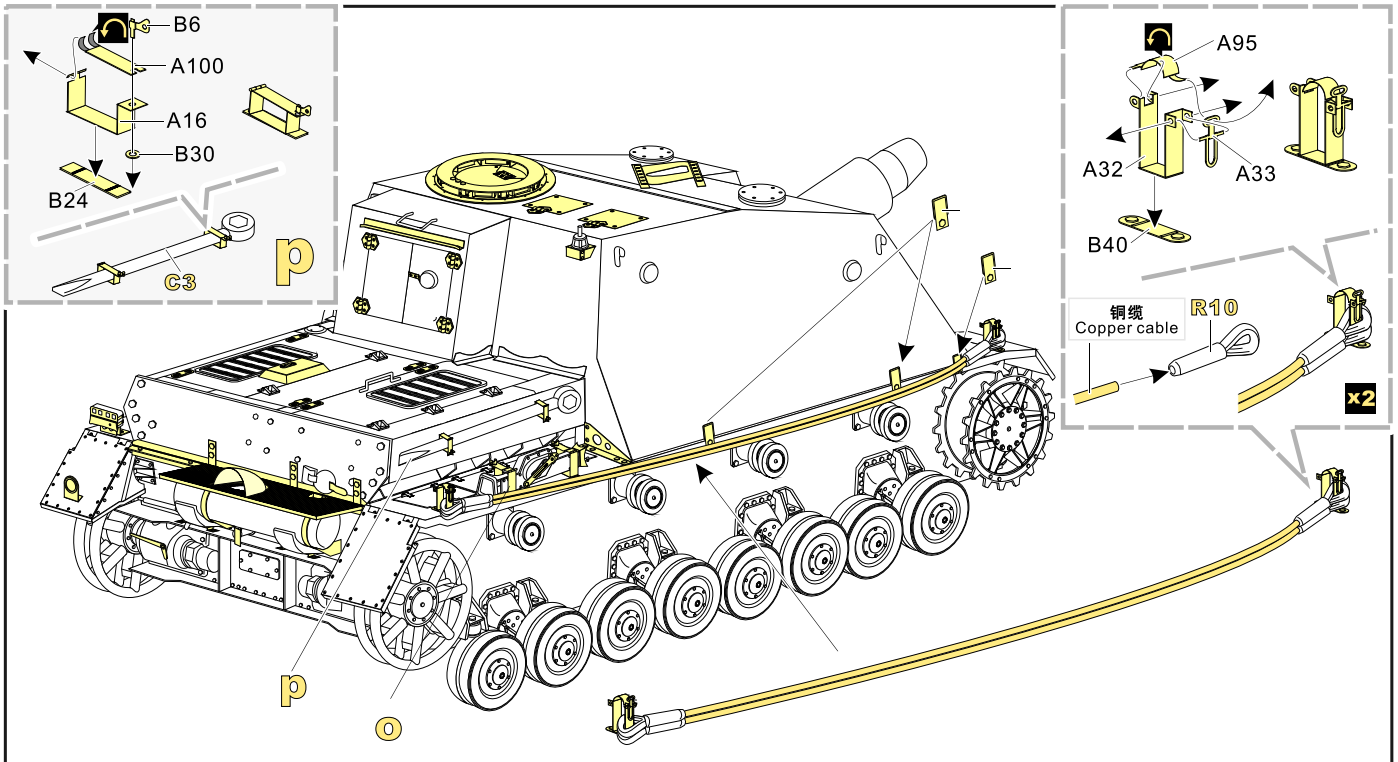


**VOYAGER  
MODEL**

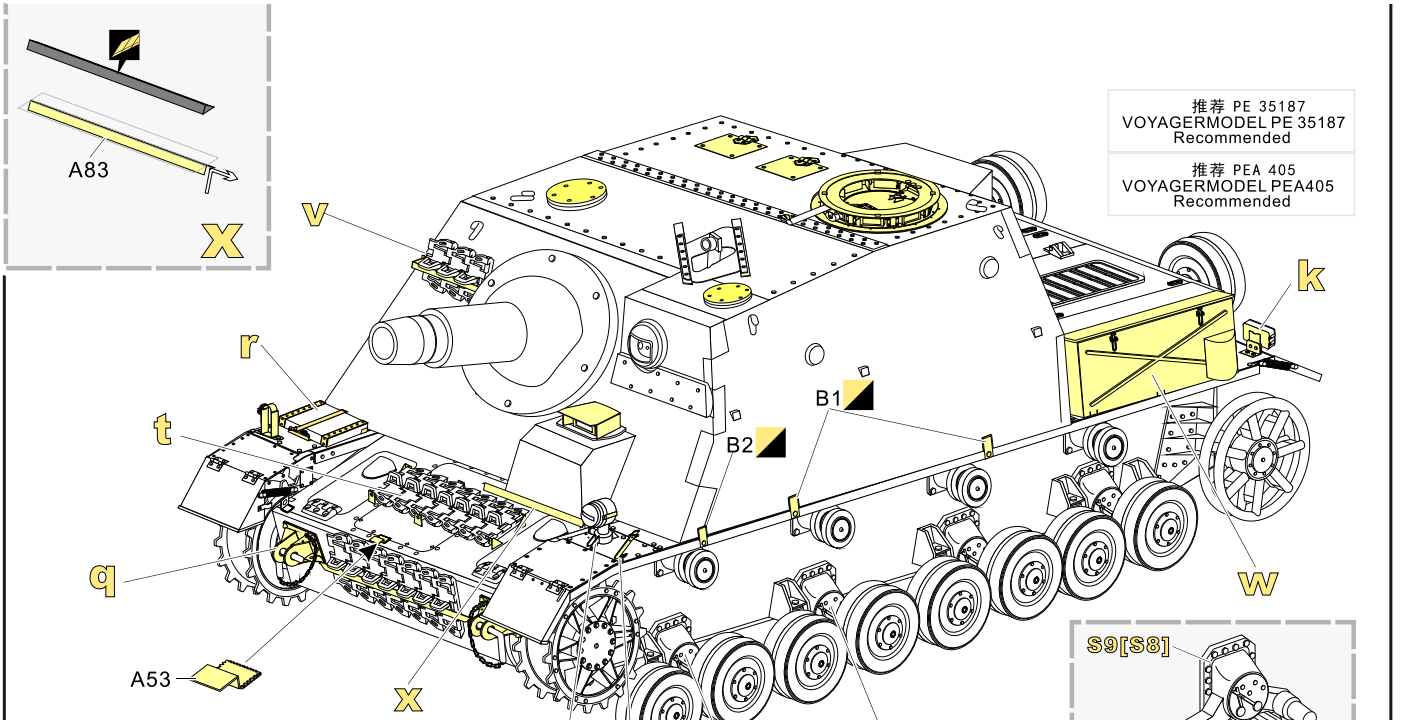
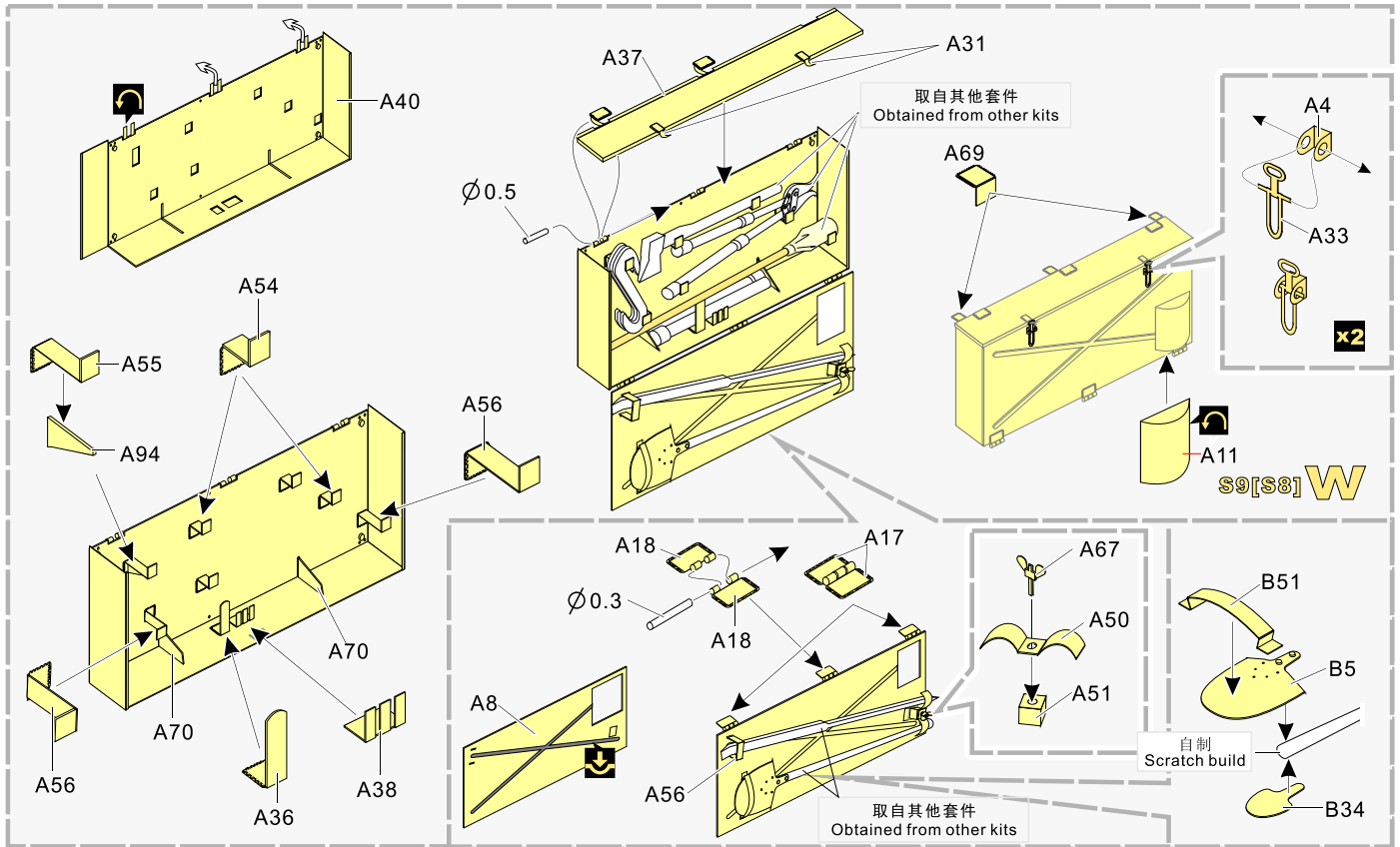


更多PE35922样品照片参考请扫一扫  
MORE PICTUER OF PE 35922  
REFERENCE SCAN HERE

1/35 MILITARY MINIATURE VEHICLE UPGRADE SERIES PE35922



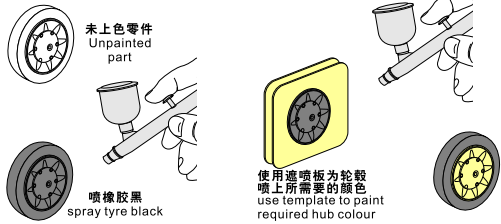
1/35 MILITARY MINIATURE VEHICLE UPGRADE SERIES PE35922



推荐 PE 35187  
VOYAGERMODEL PE 35187  
Recommended

推荐 PEA 405  
VOYAGERMODEL PEA405  
Recommended

漏喷板使用说明:



VOYAGERMODEL® 无微不至 悦享享受	
Recommended item	
PE 35187	WWII German Pz.Kpfw.IV Series Fenders DRAGON
PE 35297	WWII German Sturmpanzer IV Brummbär Mid Version Basic DRAGON
PE 35260	WWII German Sturmpanzer IV Brummbär Early Version TRISTAR
PE 35425	WWII German Sturmpanzer IV Brummbär Late Version Basic DRAGON