

DPRK Hwasong-5 short-range tactical ballistic missile

朝鲜“火星”-5近程战术导弹

READ BEFORE ASSEMBLY:

- This kit is not recommended for inexperienced modelers or for children under 14 years of age
- Study and understand these instructions thoroughly before beginning assembly
- When needed, remove photo-etch parts carefully using a modeling knife or photo etch sprue cutter, being careful not to damage or lose small parts.
- Take extra care in handling photo etch parts in order to avoid injury
- Apply instant cement sparingly to photo etch parts where instructed

- Tools recommended(not included in kit):Plastic and instant cements,sprue cutters,long nose pliers,modeling knife, small files, tweezers, pin vise & scissors. Soft cloth and sandpaper will also assist in construction
- Glue and paint are not included in the kit. Use plastic cement and hobby paints only. Color guide for purchasing paint is included in the kit.
- Keep out of reach of children. They must not be allowed to ingest small parts or handle plastic bags in any way.

装配之前仔细阅读

- 小心用模型锉刀锉平所有零件表面的注射浇口。
- 小心用刀片切下蚀刻片零件，不要遗失小零件。
- 用强力快干胶水粘合蚀刻片零件和金属轴。过量的快干胶水使用可能导致可动零件会粘住，小心涂胶。
- 取蚀刻片时应特别注意安全，防止利边划伤手指。
- 某些零件表面需贴水贴纸，请选择在装配的同时进行。
- 推荐模型工具(自备)：胶水，水口剪刀，长咀钳，刀片，锉刀，镊子钳，钻，剪刀，瞬间快干胶。
- 软布同砂纸同时也应该是必备工具。
- 请使用塑料胶水和油漆，模型内不含。
- 谨防小孩吸吮塑料零件，或者将塑料袋套在头上，制作时应将套材远离小孩接触。
- 本产品不适合14岁以下没有经验的模型爱好者。

水贴纸的使用:

- 1.从水贴纸上剪下印花;
- 2.将印花放入温水中浸10秒, 然后放在干净布上。
- 3.拿着印花纸板将印花移到模型上;
- 4.手指蘸水将印花移到适当的位置;
- 5.用软布轻压印花直至水干, 气泡消失

DECAL APPLICATION

- 1.Cut decals from sheet as needed
- 2.Dip the decal in warm water for about 10 seconds and then place on soft clean cloth.
- 3.Hold the decal backing sheet edge and gently slide the decal onto the model in its proper position.

- 4.While still wet,decal can be adjusted for better fit on model by dampening it gently with your finger.
- 5.When placed in the proper position,gently press decal down with a soft cloth until excess water and air bubbles are gone.
- 6.Allow decal to dry completely before handling model.



配重
Weight



使用强力胶
Cyanoacrylate glue



钻孔
Make hole



切除
Cut / Remove



贴纸
Decal



锉平
File / Sand



选择
Option



不涂胶水
No cement



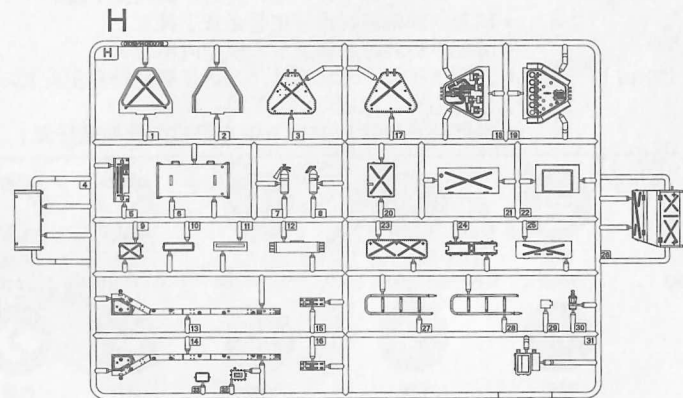
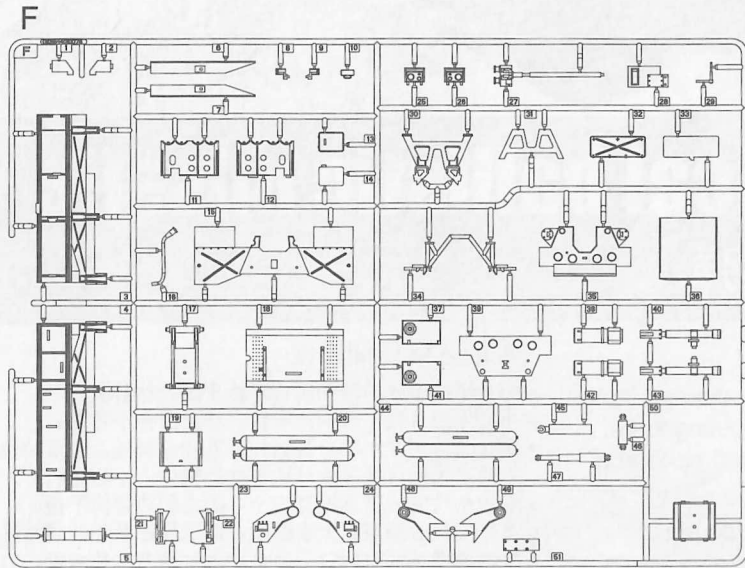
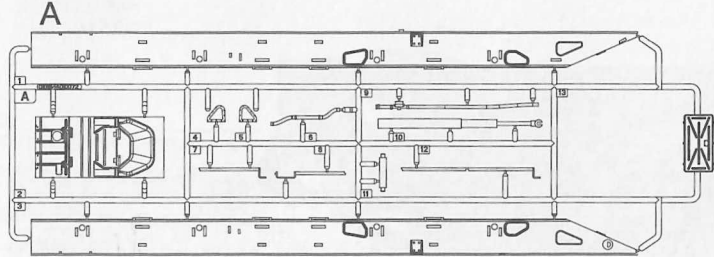
弯曲
Bend



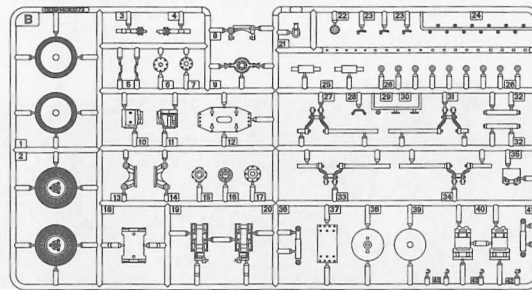
先装
Install it first

部品图

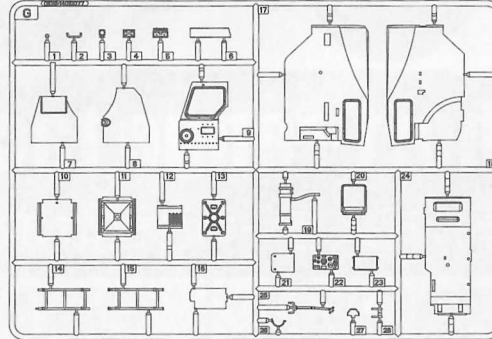
Parts



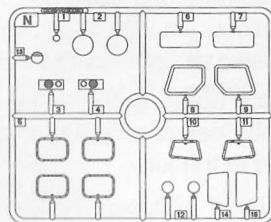
Bx4



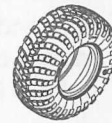
G



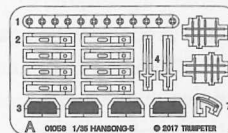
N



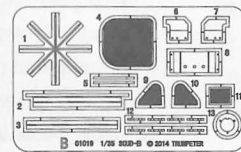
《轮胎》x8
Tyre



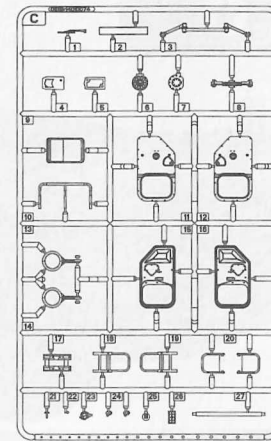
《蚀刻片》-A
PE-A



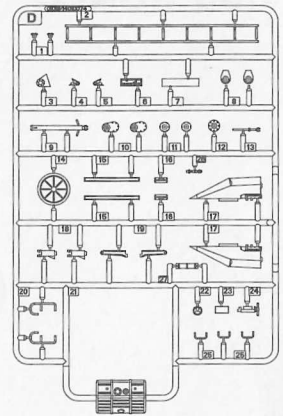
《蚀刻片》-B
PE-B



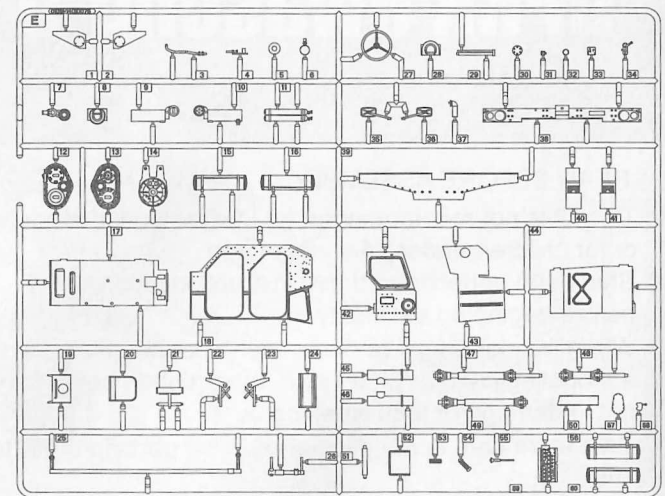
Cx2



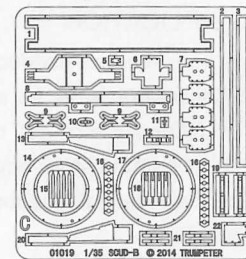
Dx2



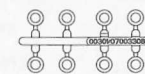
E



《蚀刻片》-C
PE-C



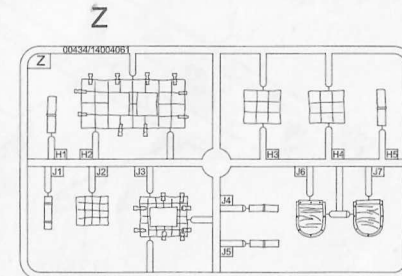
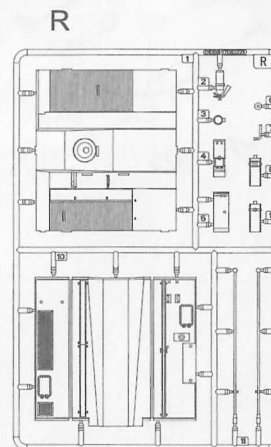
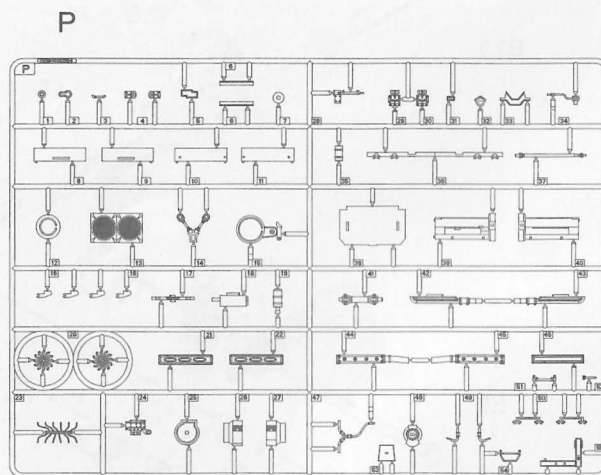
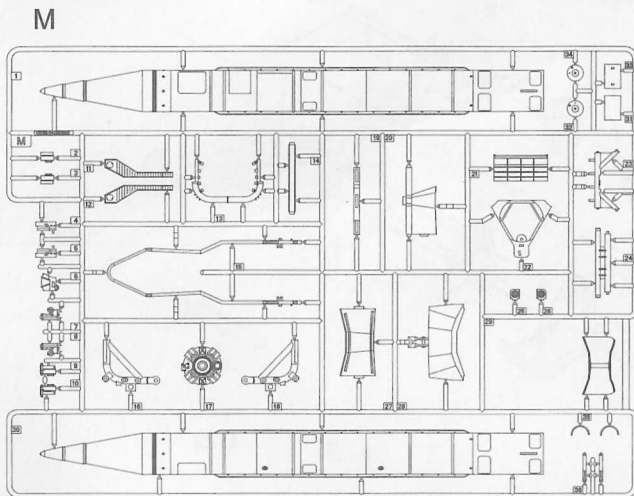
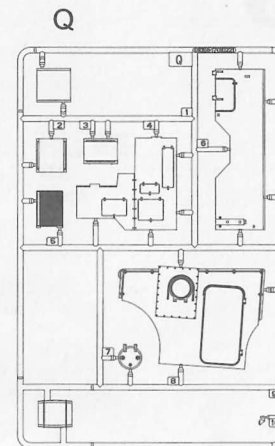
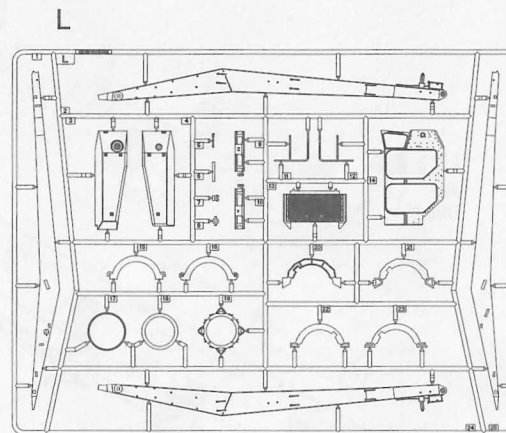
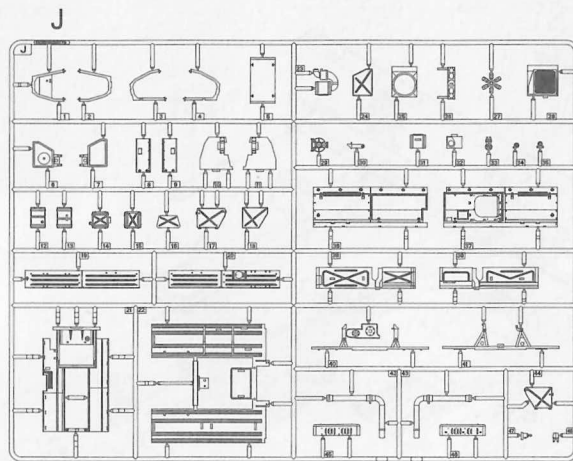
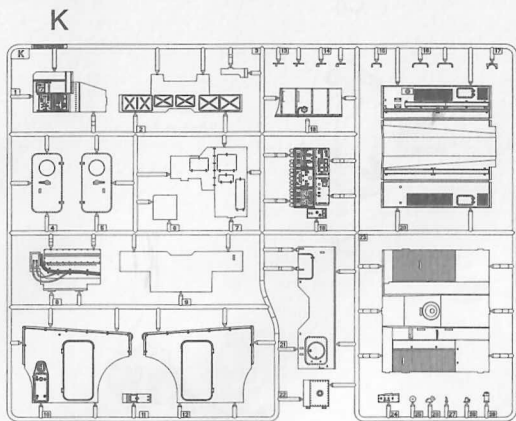
聚乙烯套
Poly cap



《线缆》 Ø0.8X2000mm
Cable



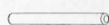
部品图
Parts



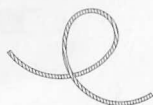
《金属钉》×2
Metal tack



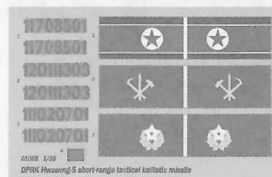
《金属轴》×4 Ø.8X6.0mm
Metal axes



《铜缆》Ø.8X150mm
Cable



《水贴纸》
DECAL A



《水贴纸》
DECAL B

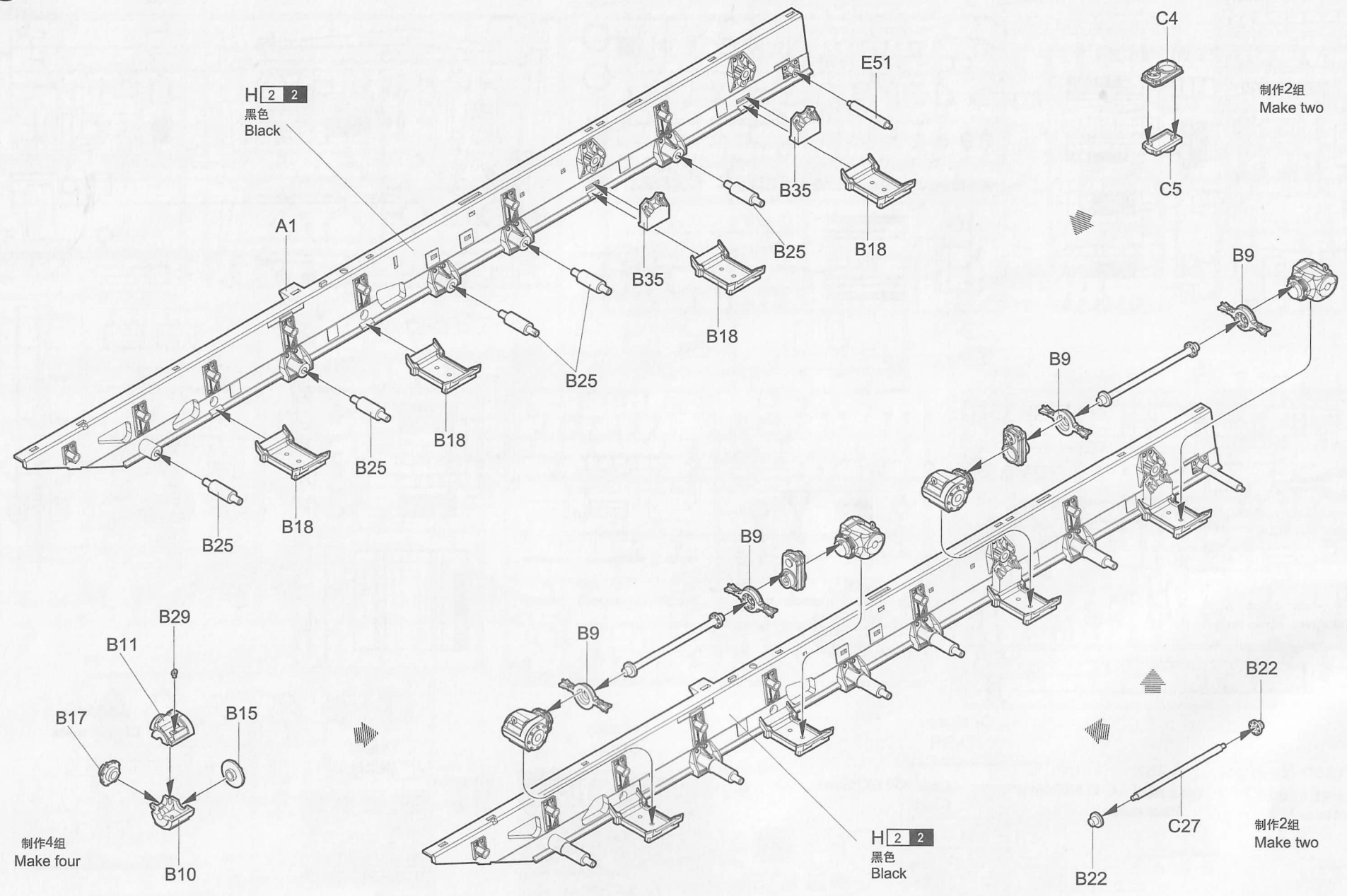


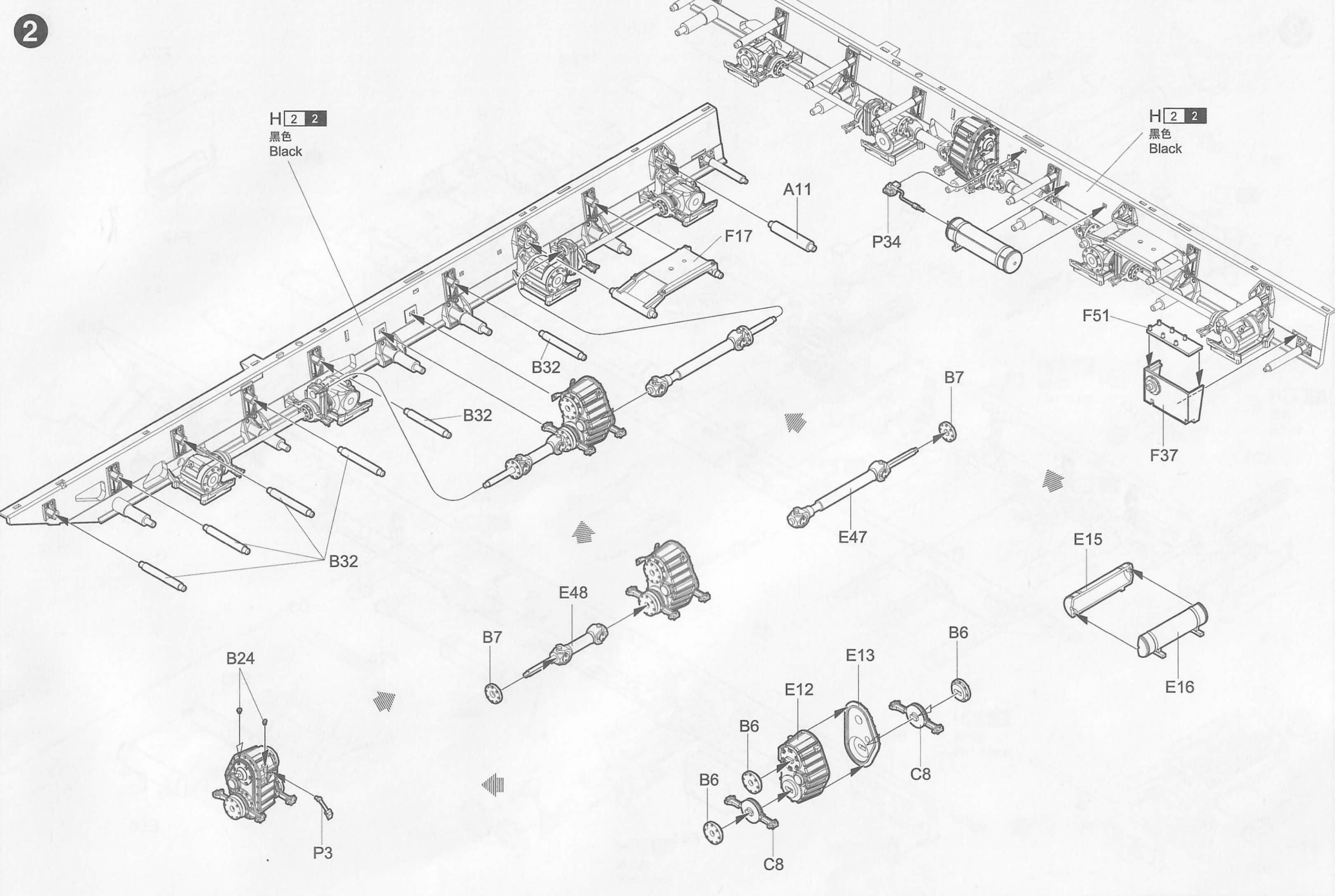
《遮盖贴纸》
Die-cut mask

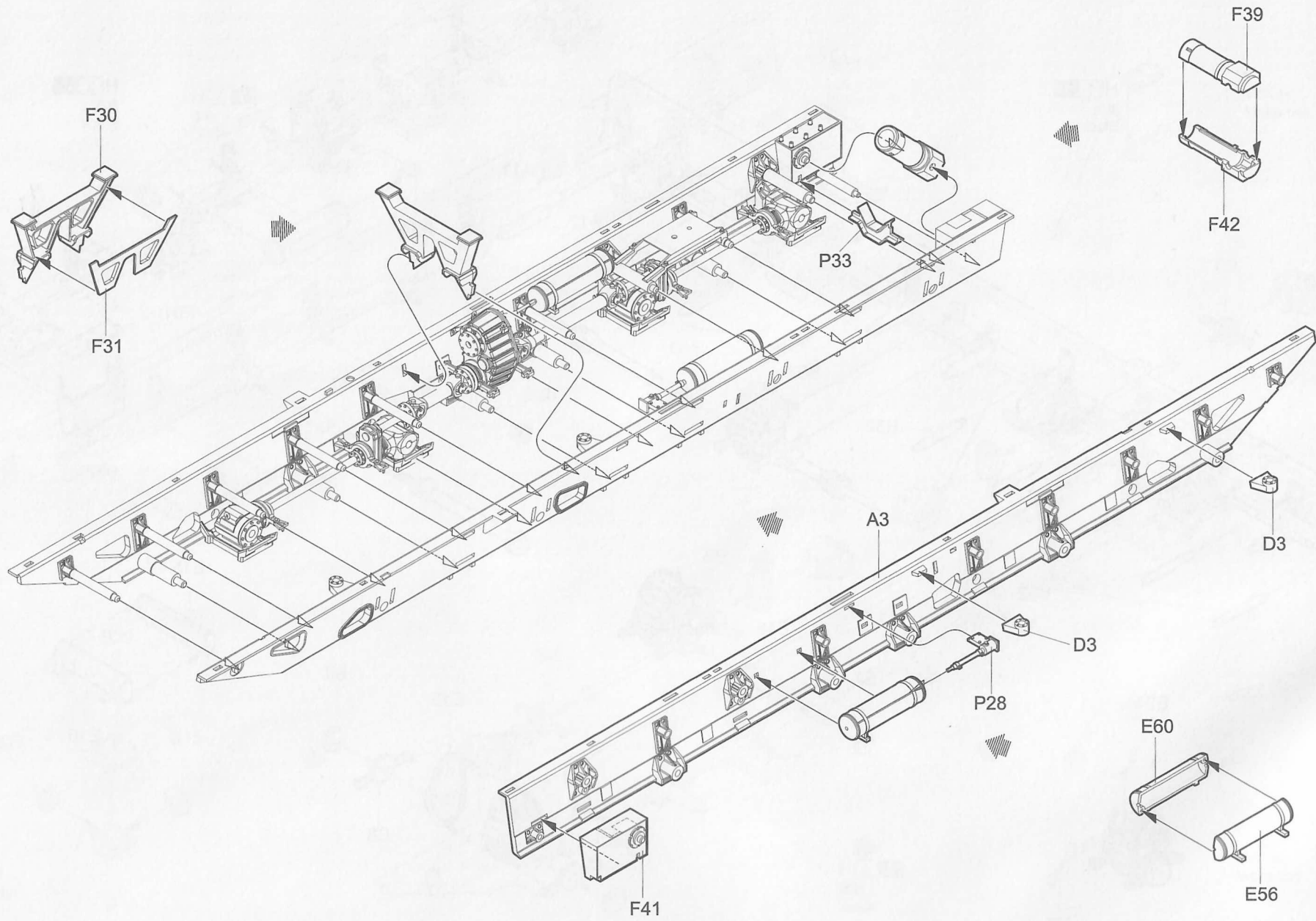


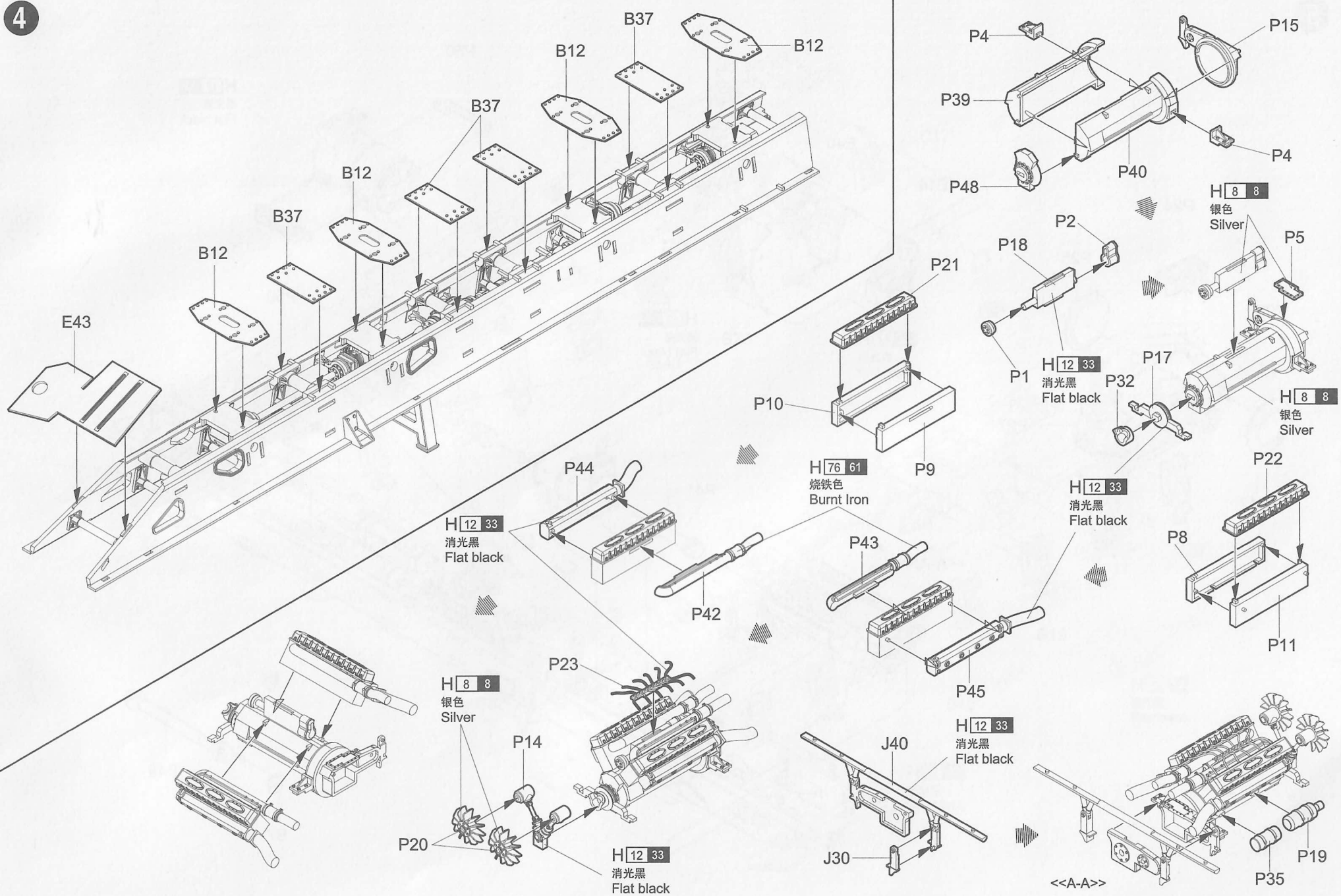
01058 1/35
DPRK Hwasong-5 short-range tactical ballistic missile

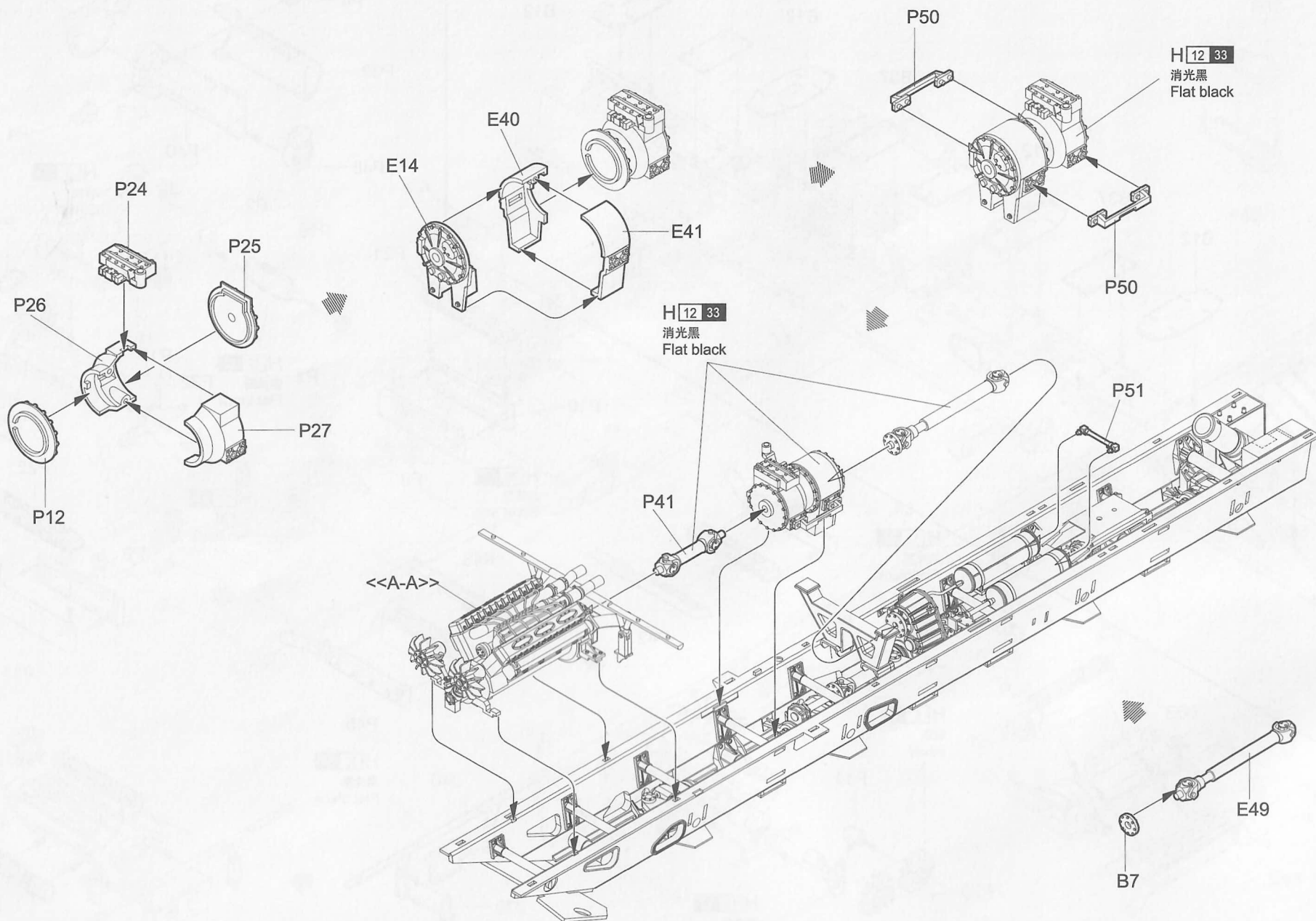
1

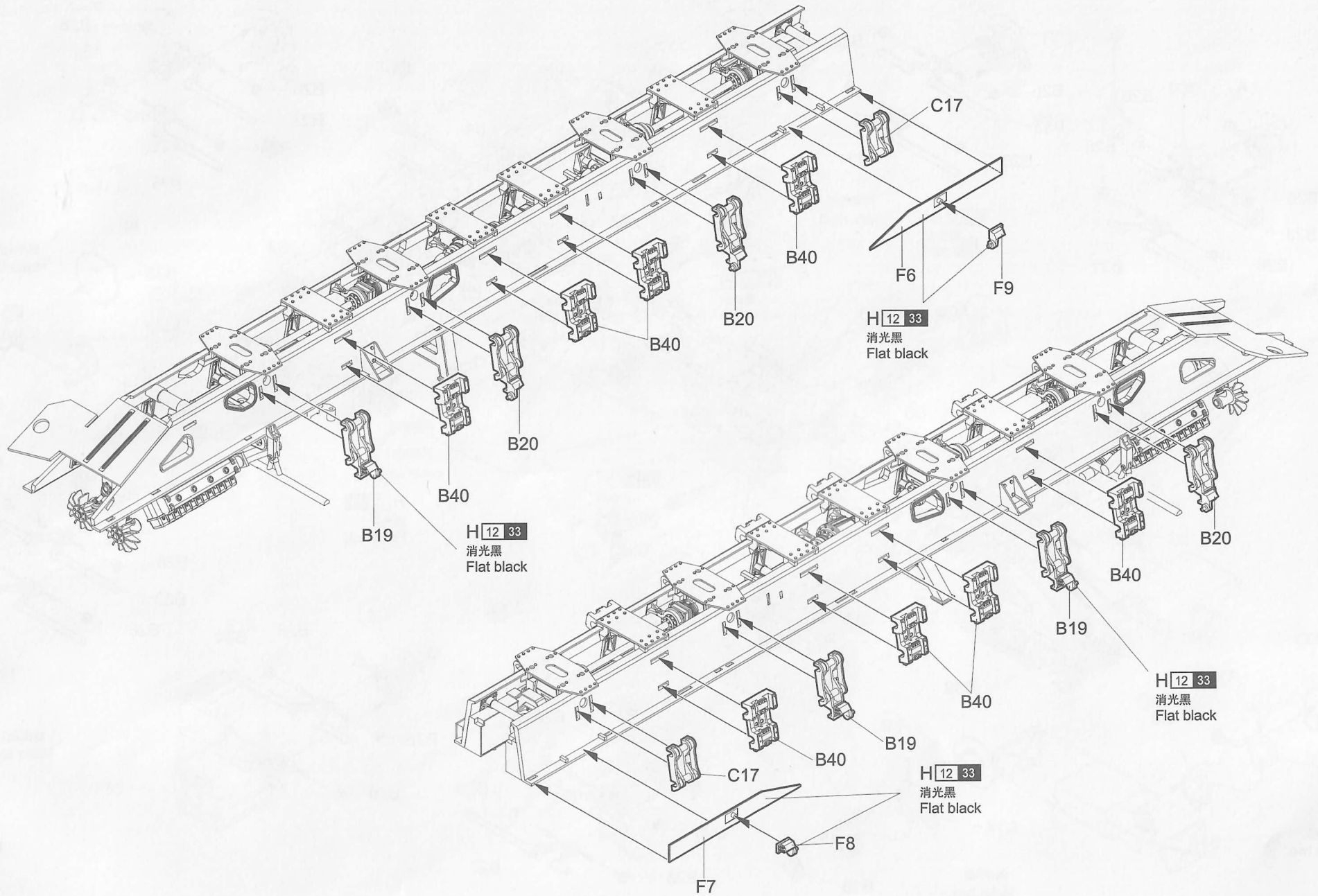


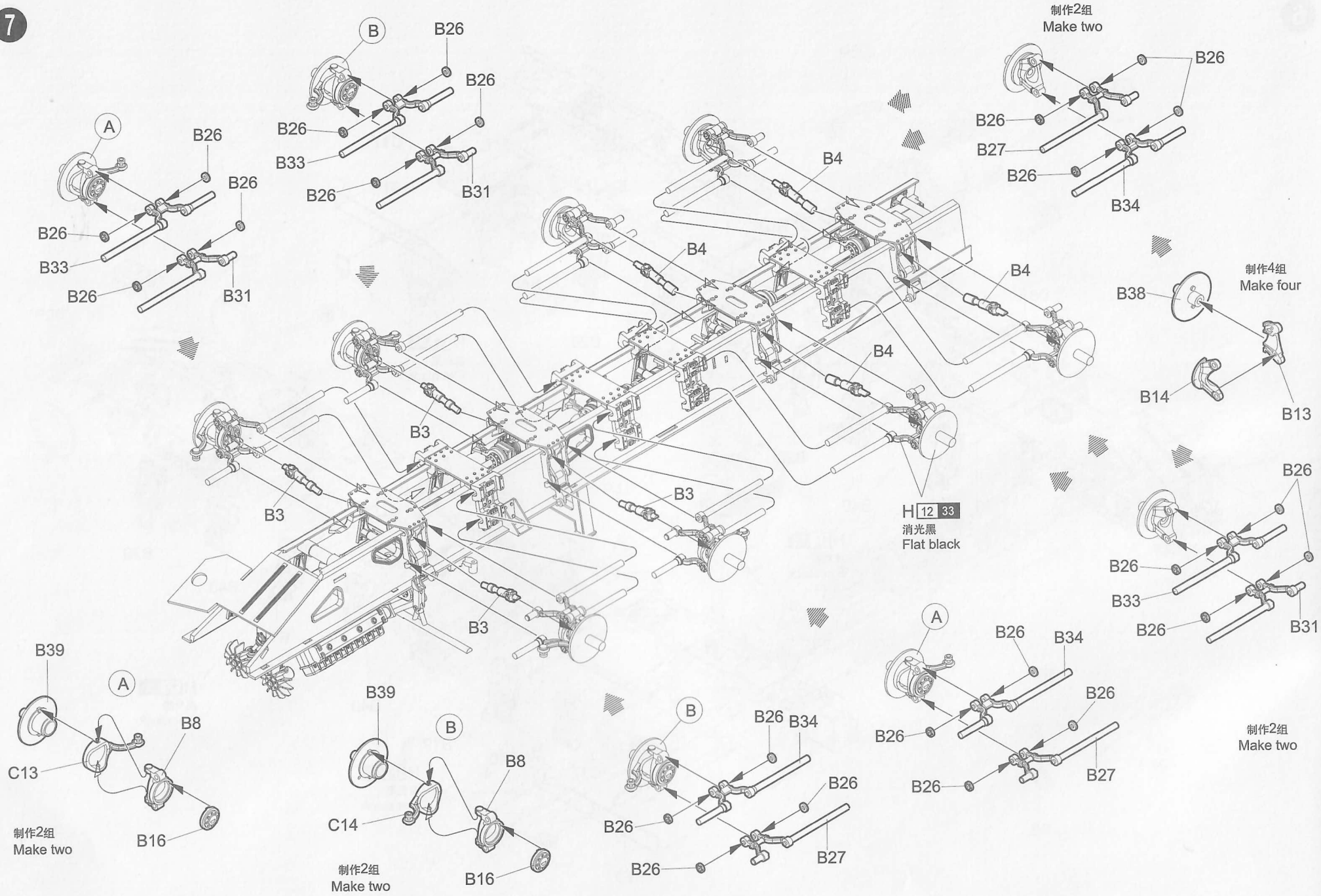


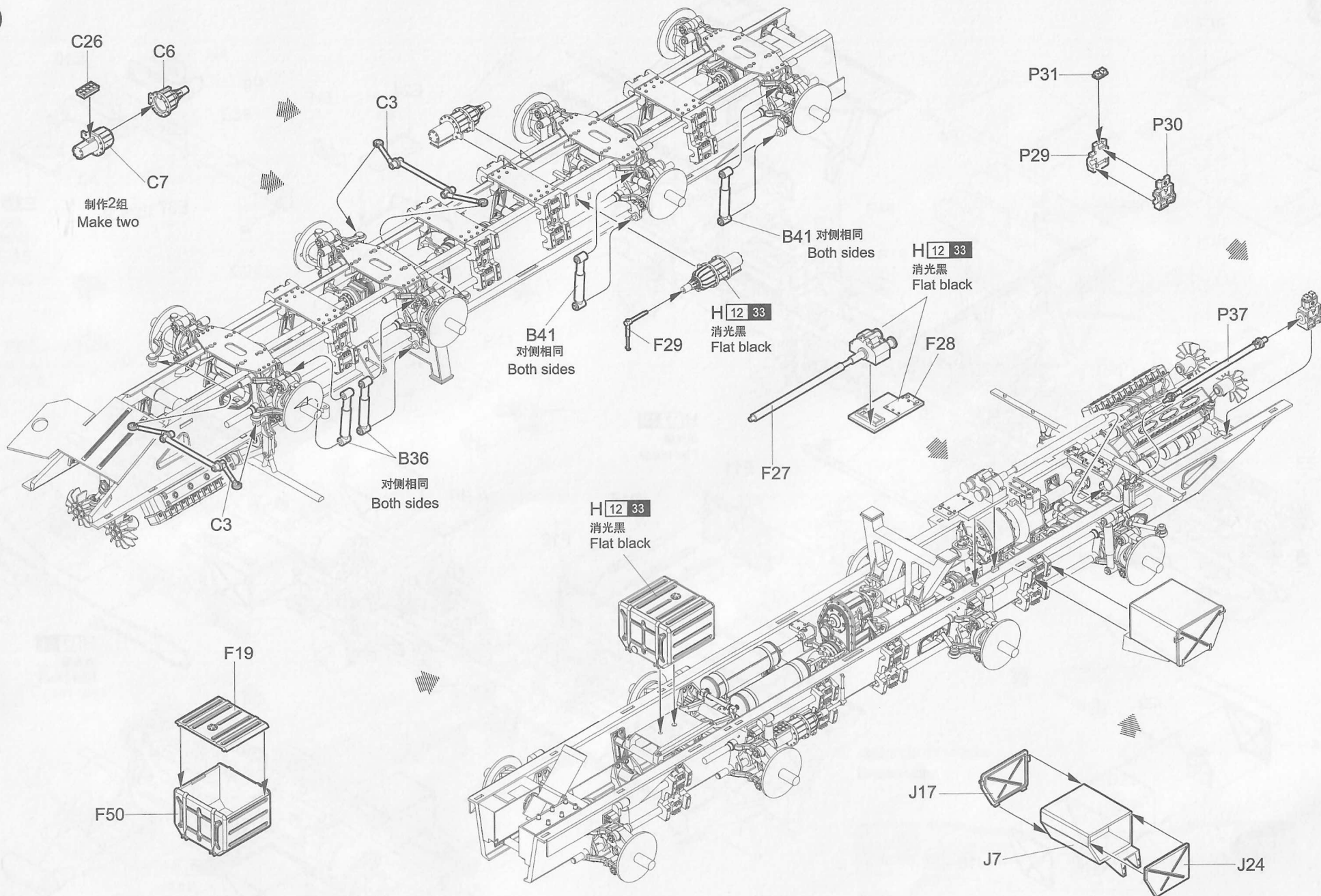


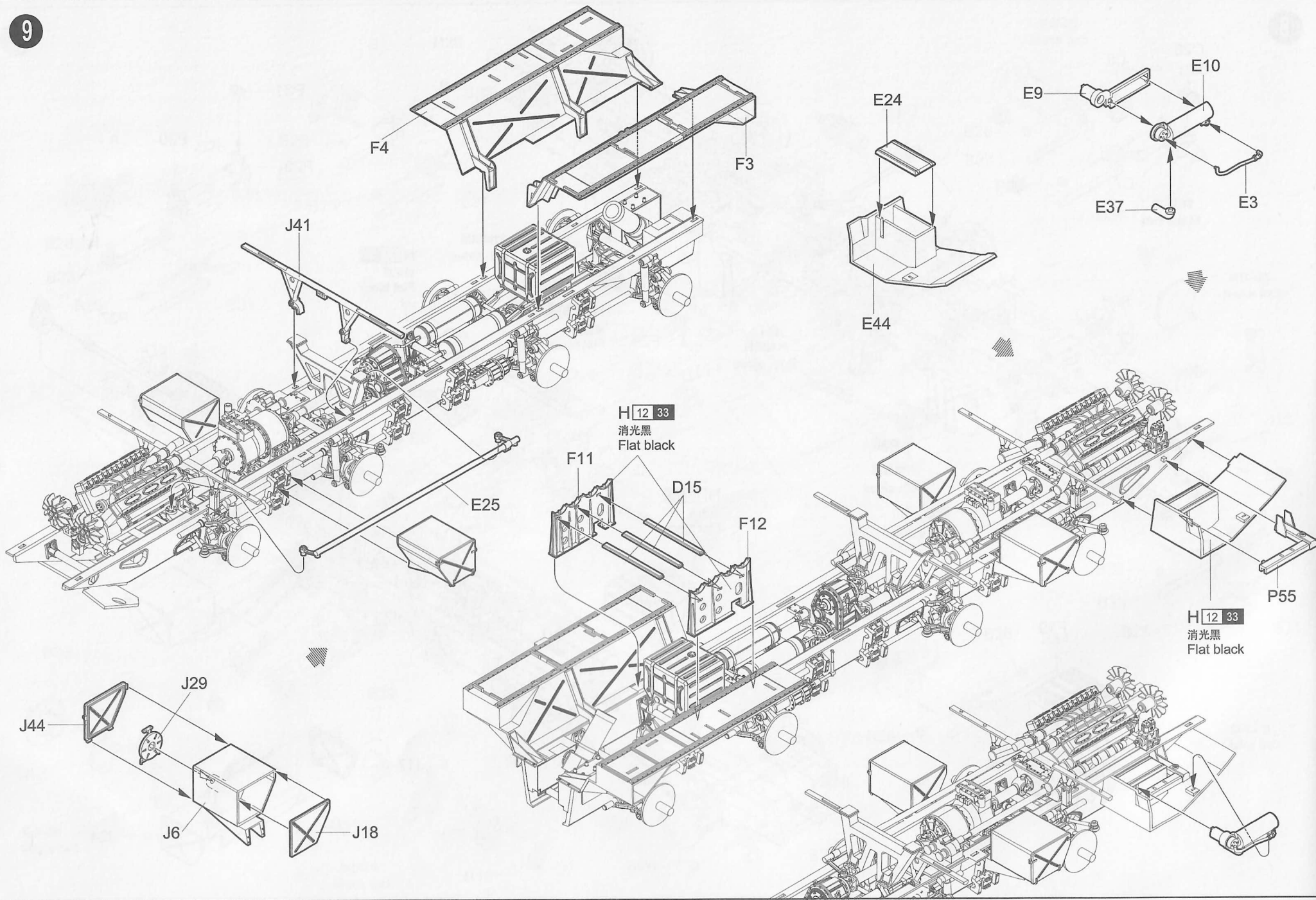


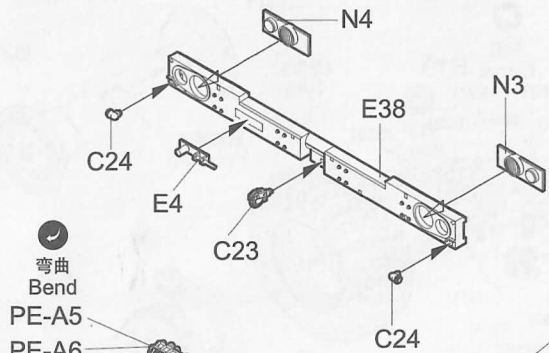






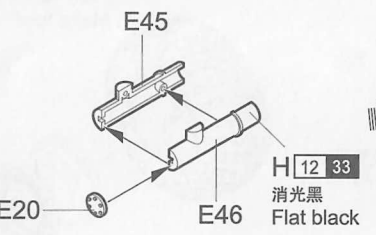
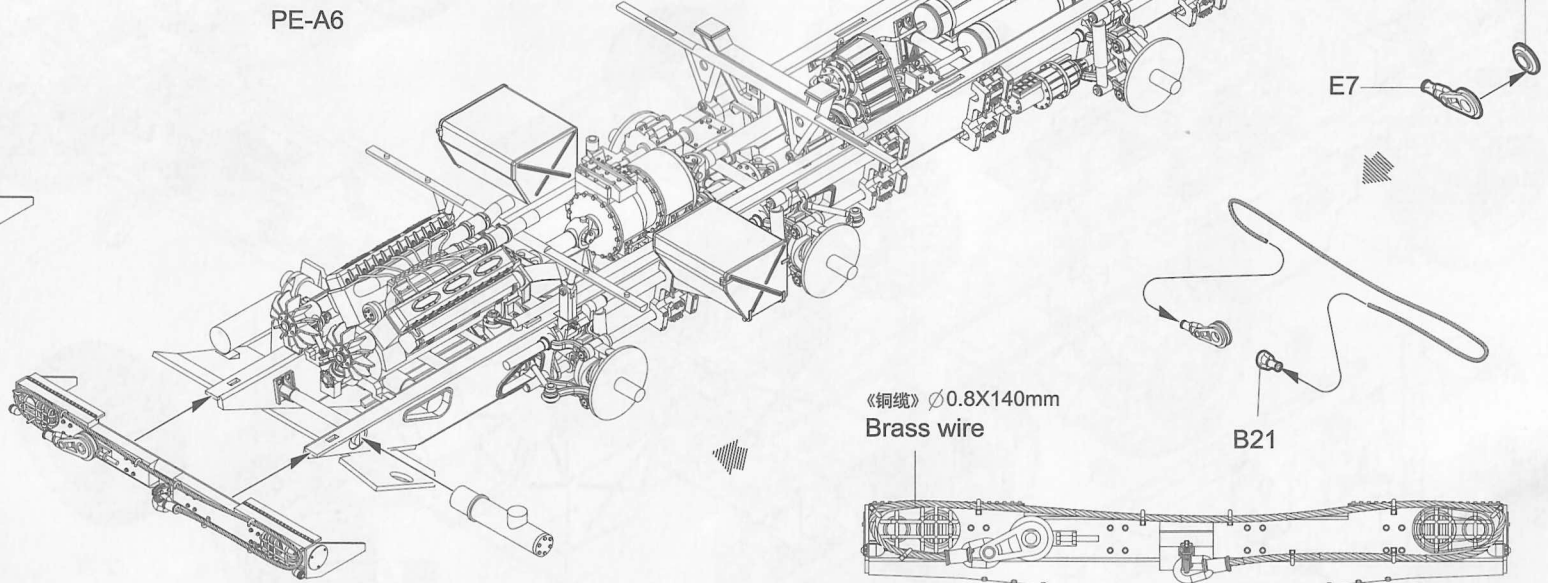
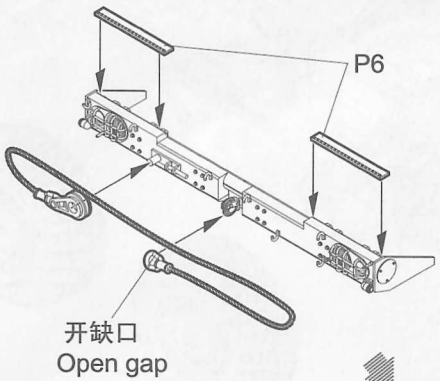
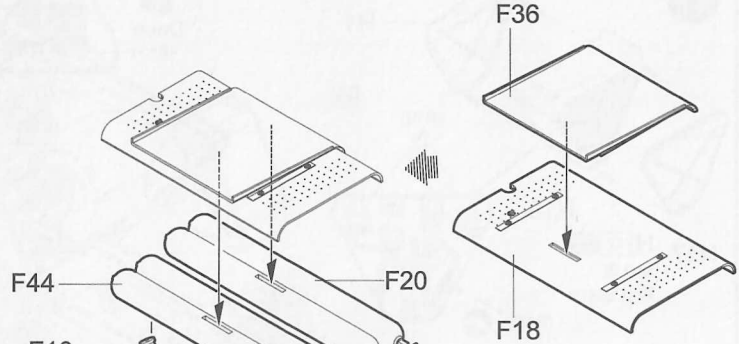
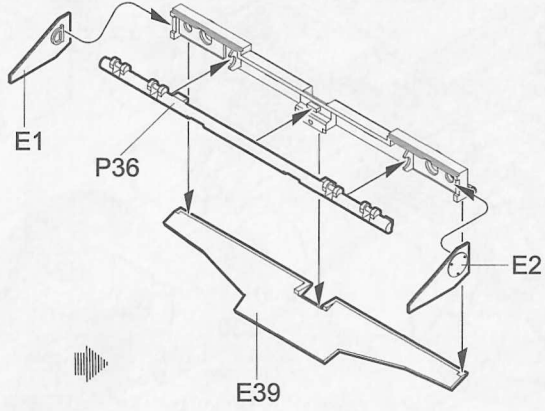
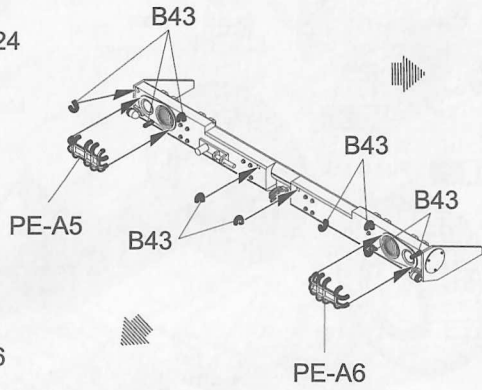






弯曲
Bend
PE-A5
PE-A6

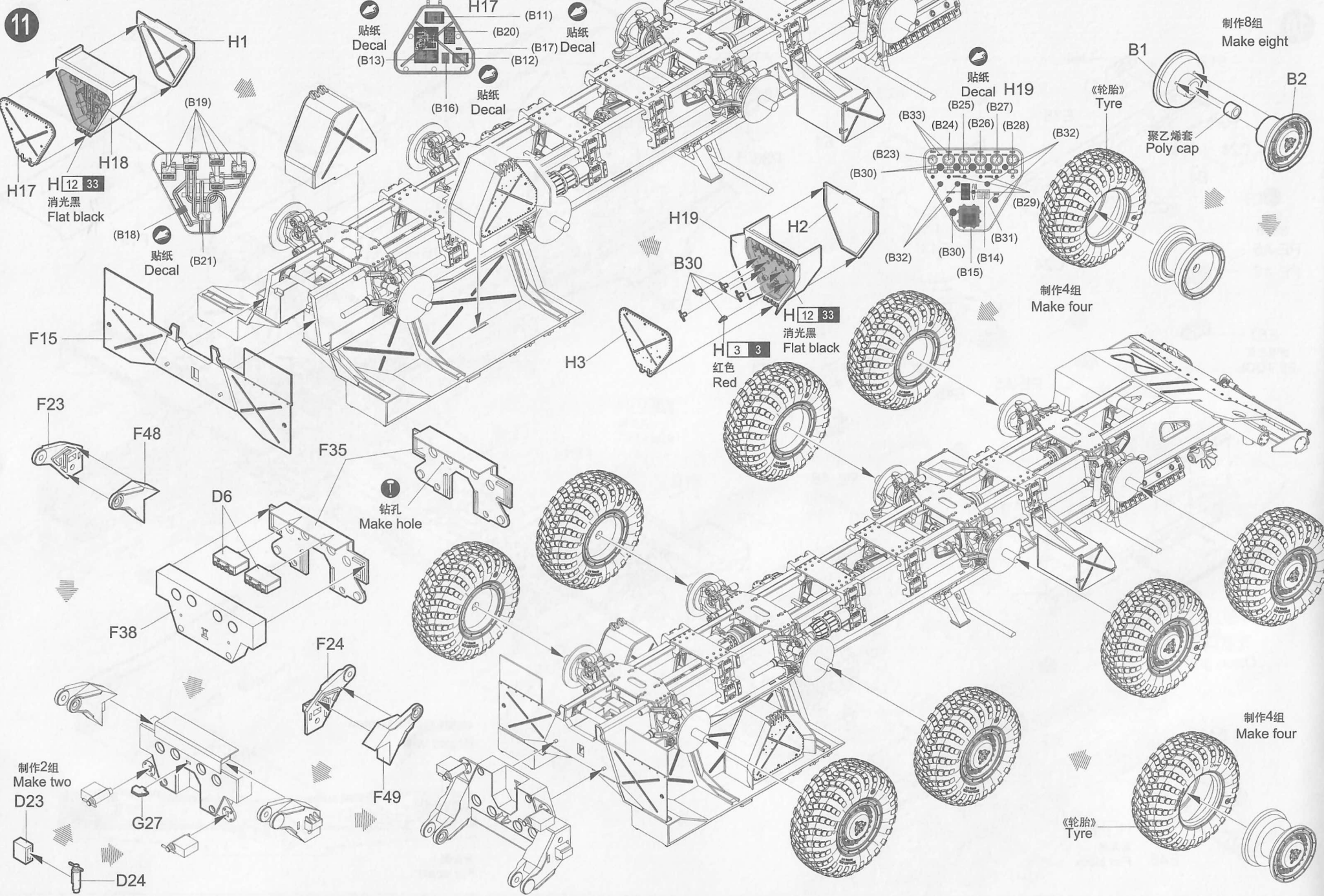
E57
折弯工具
PE TOOL

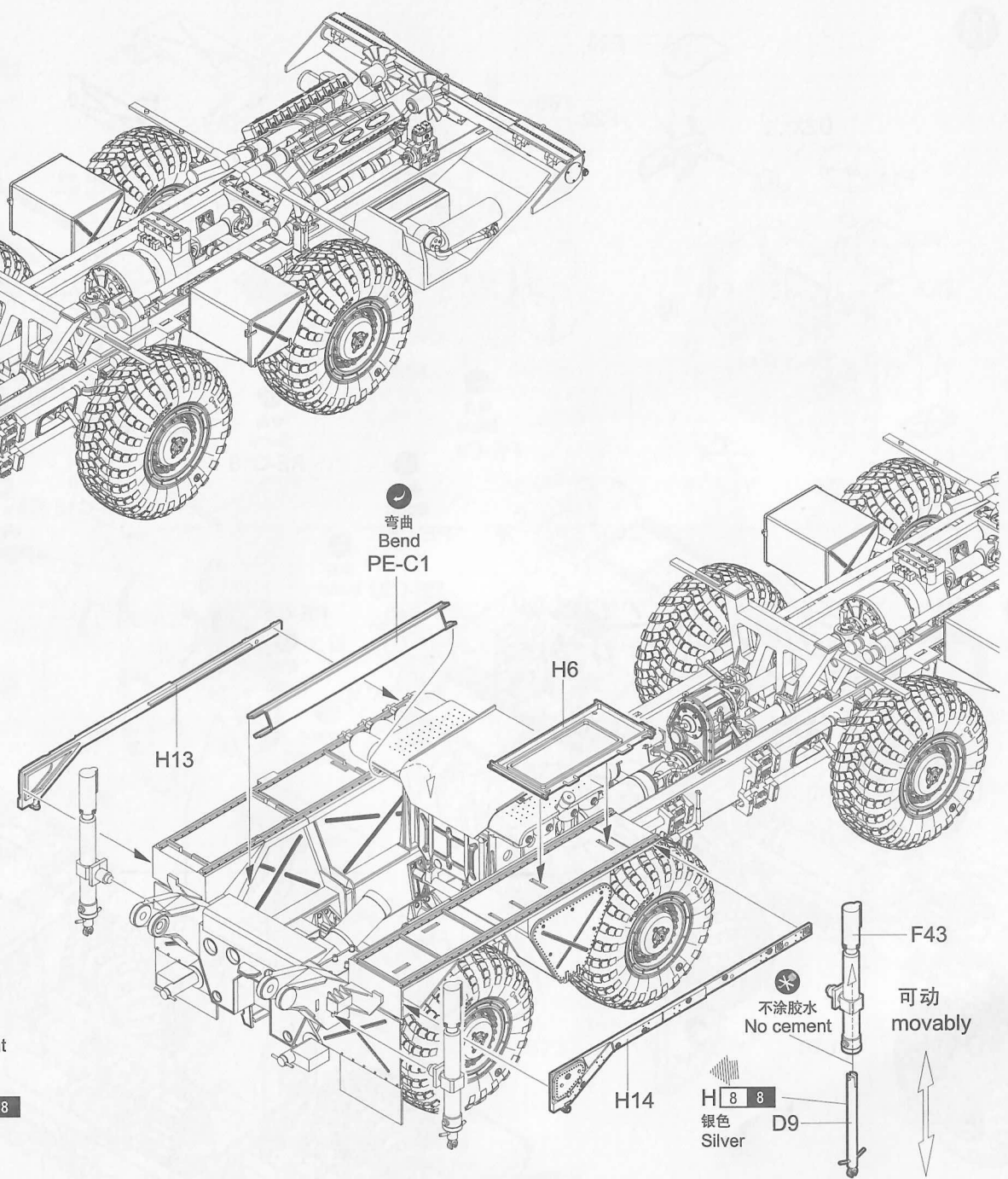
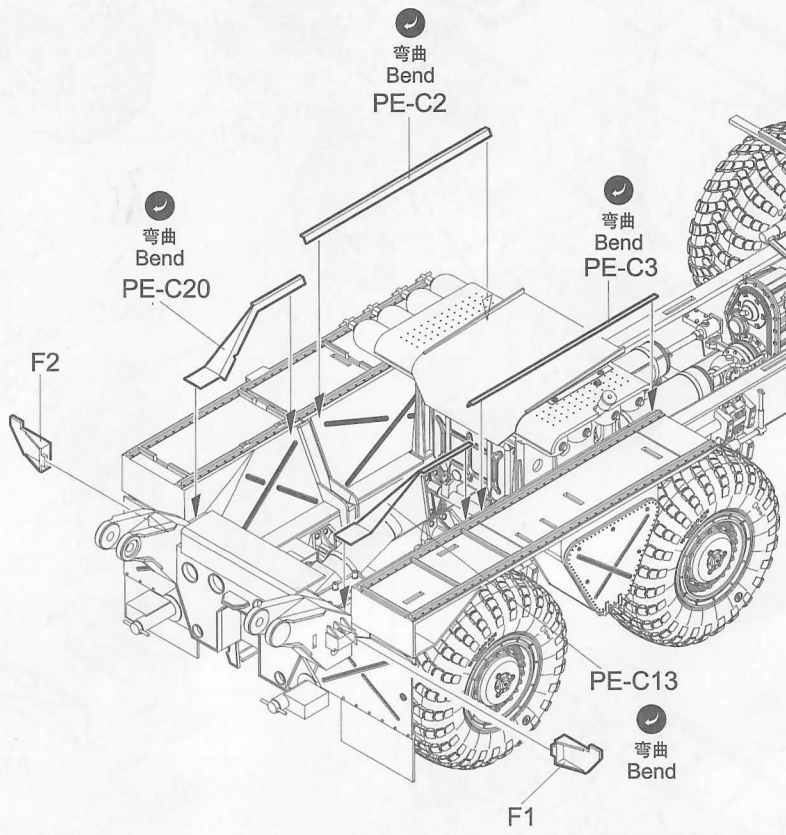


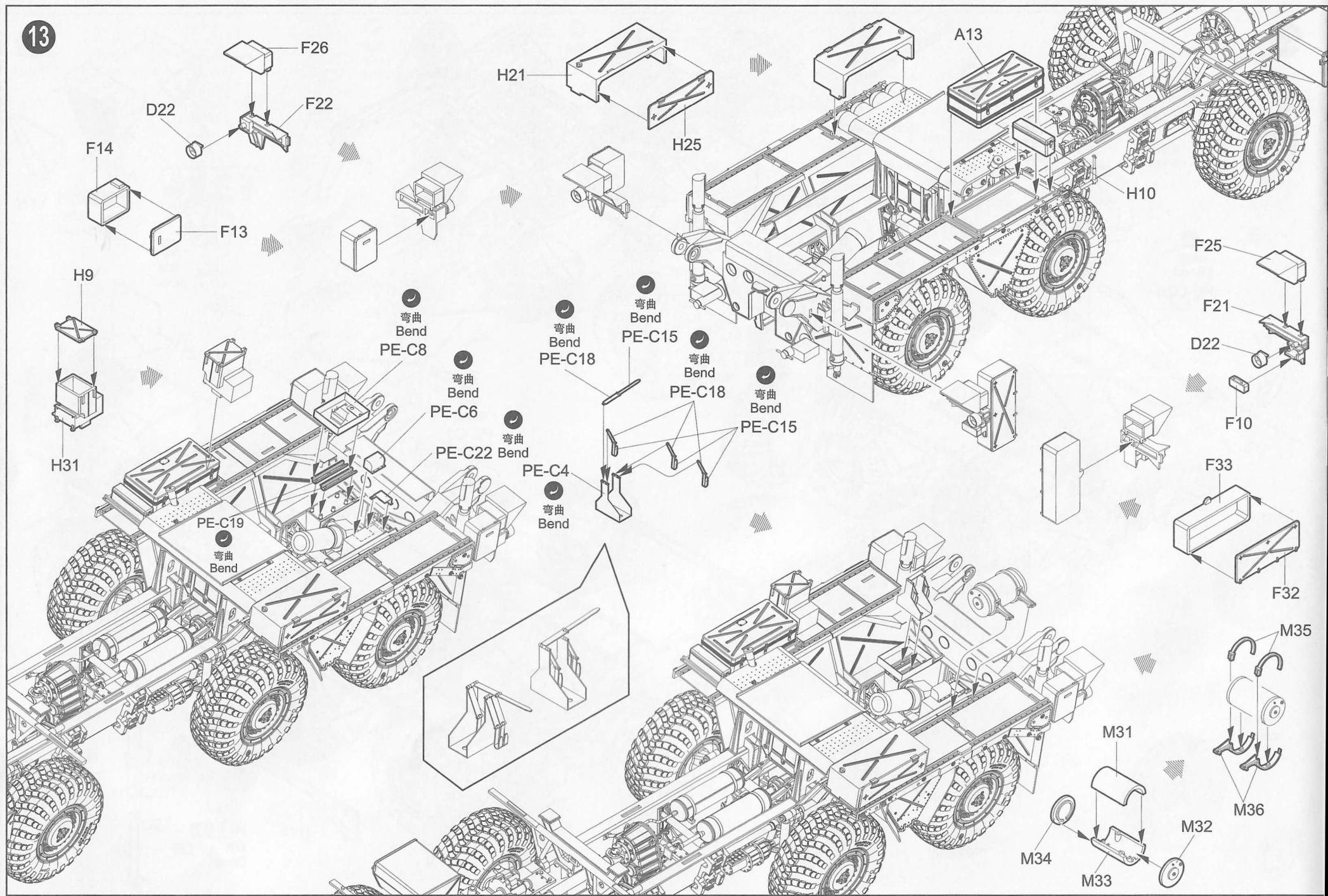
H 12 33
消光黑
Flat black

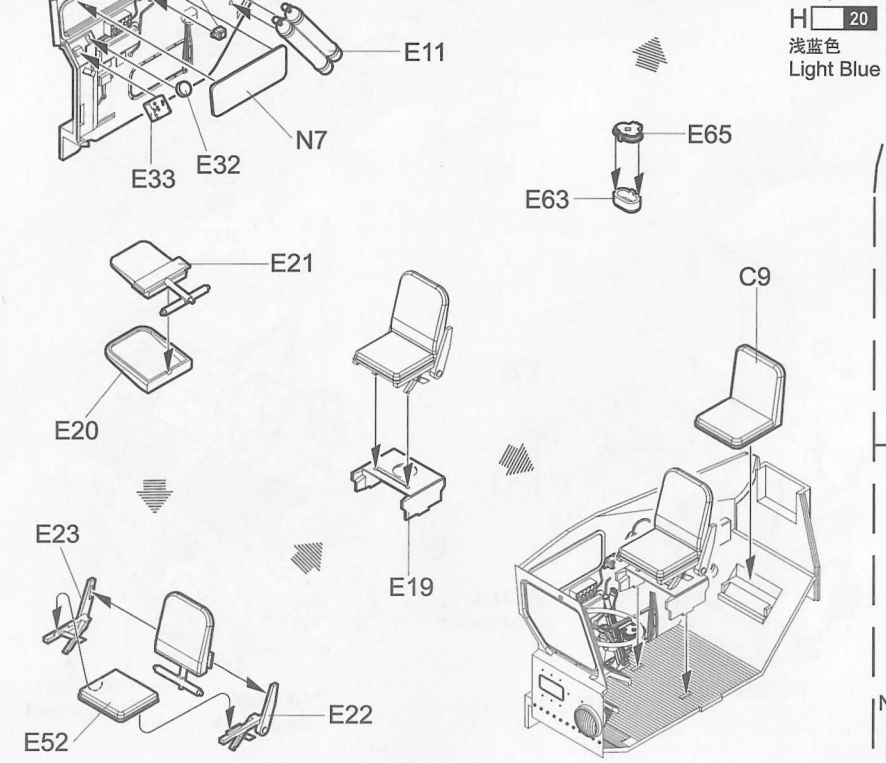
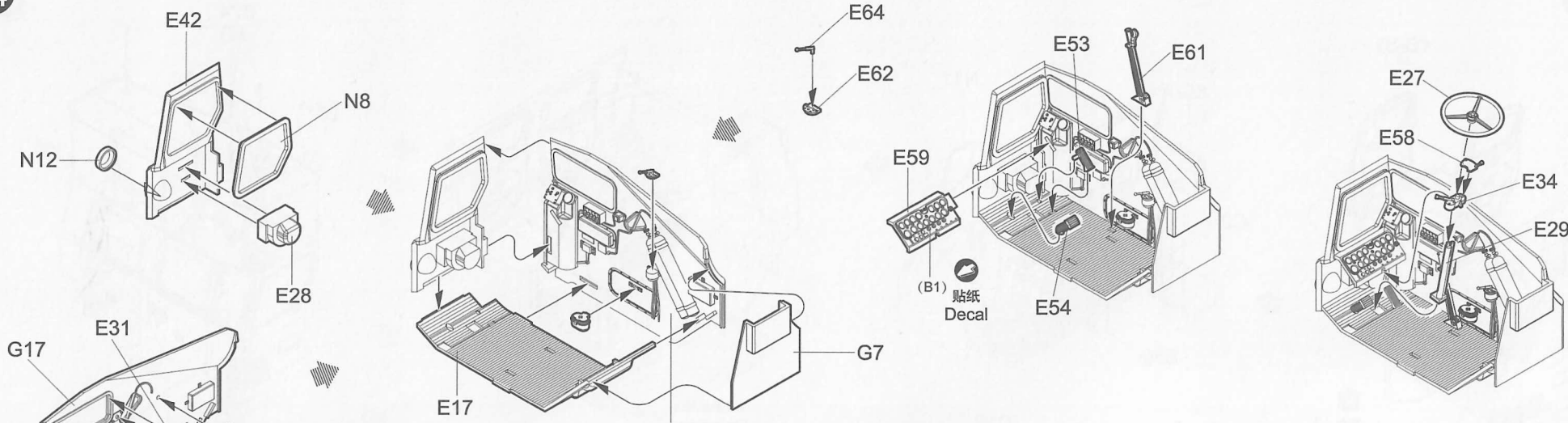
《铜线》 $\varnothing 0.8 \times 140 \text{mm}$
Brass wire

全比例
For scale

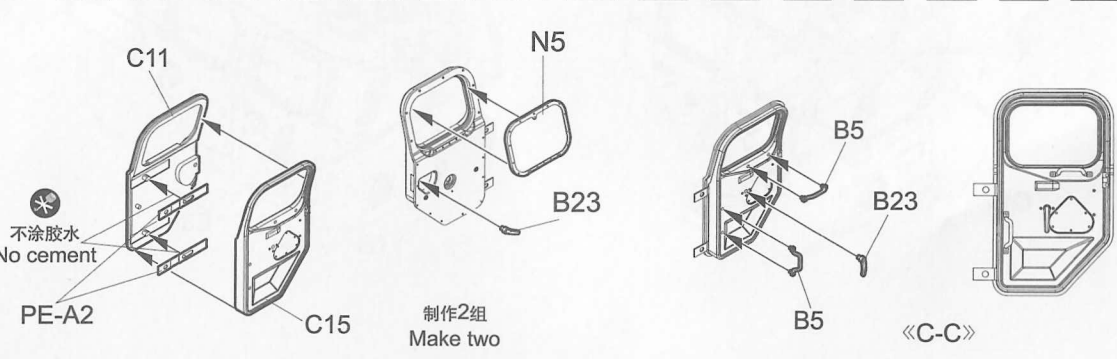
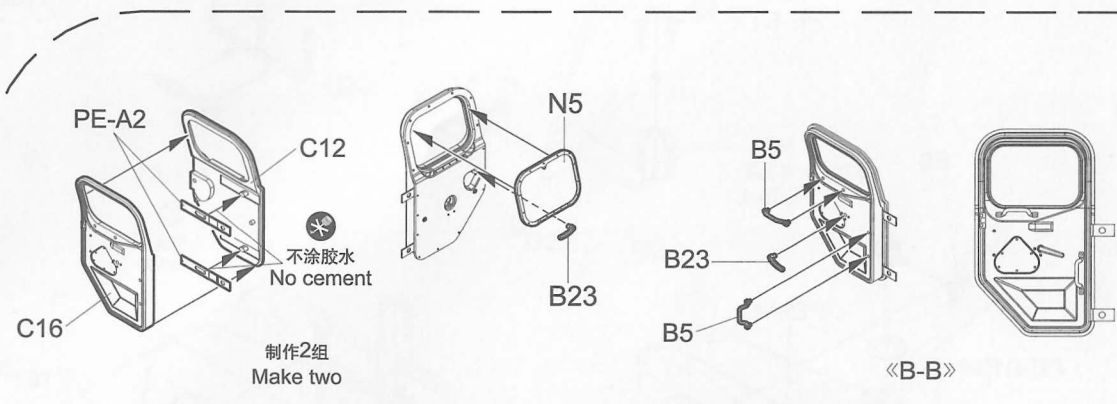


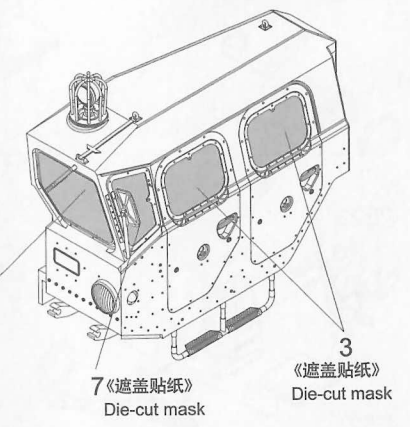
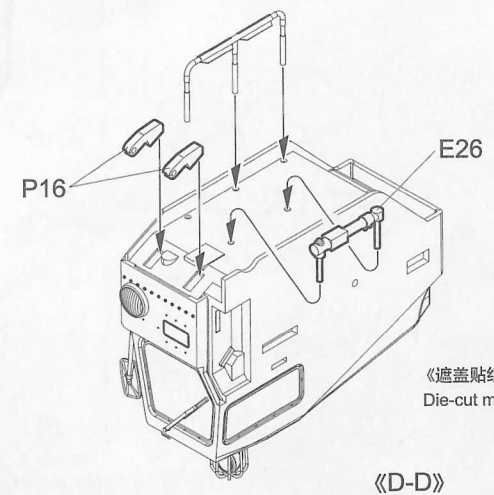
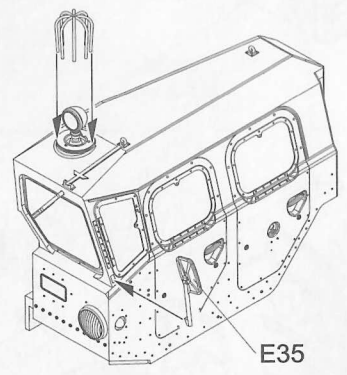
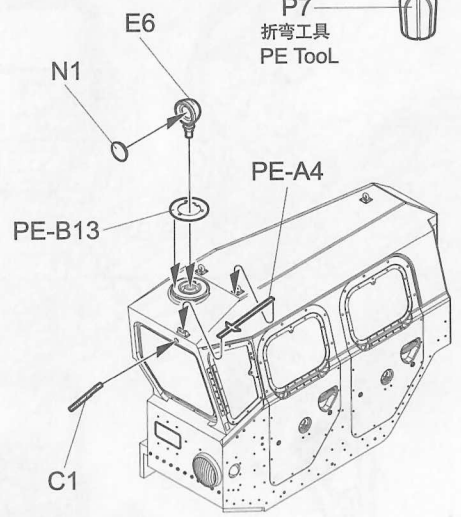
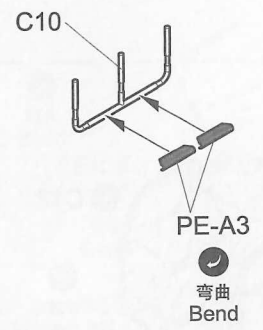
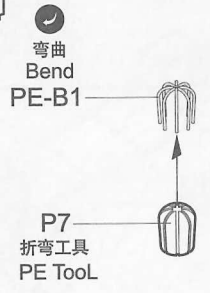
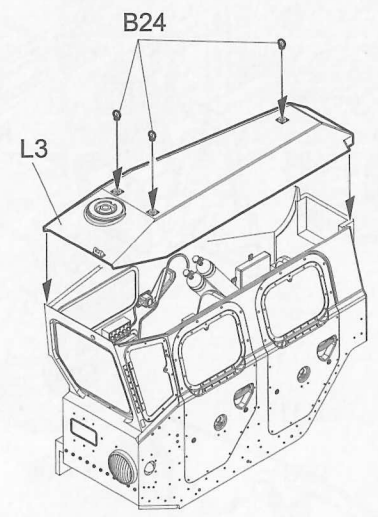
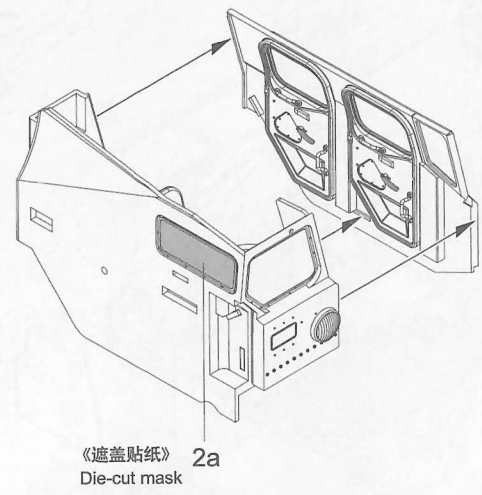
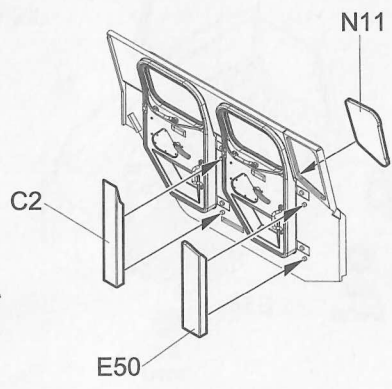
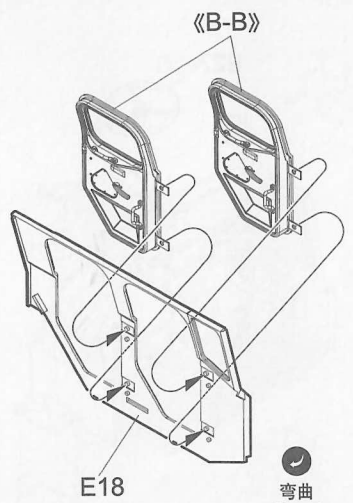


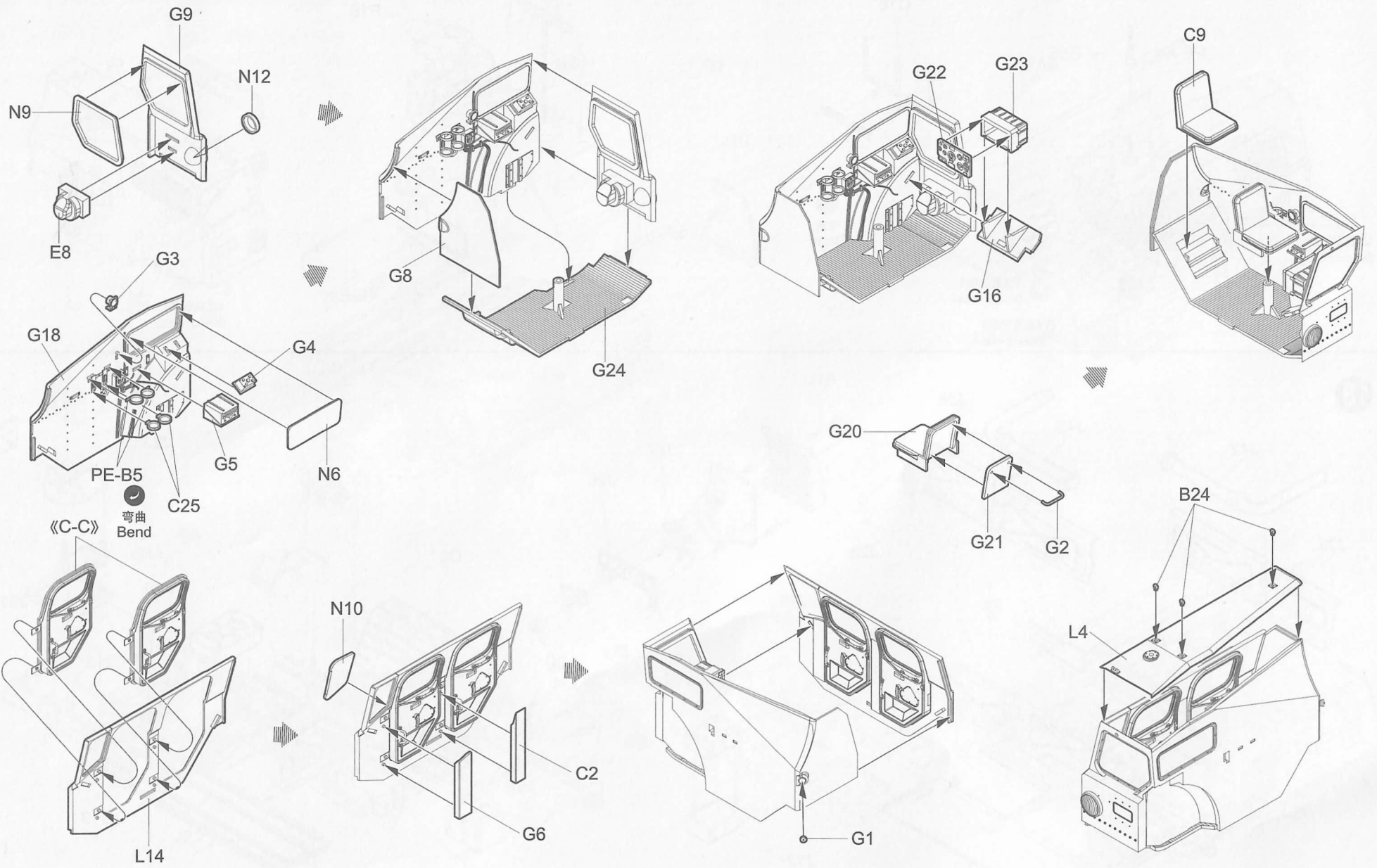




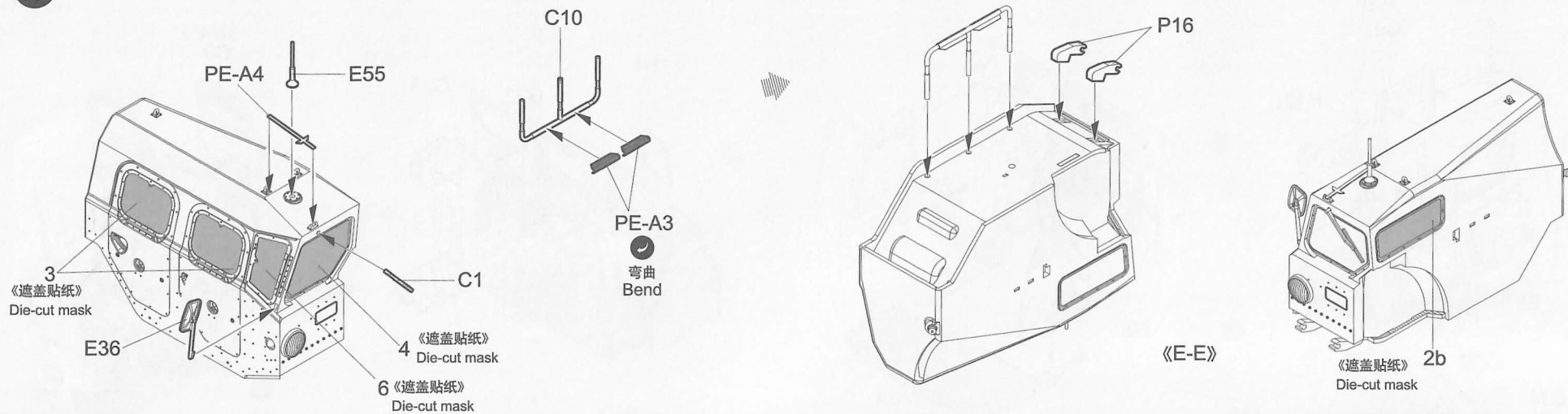
H 20
浅蓝色
Light Blue



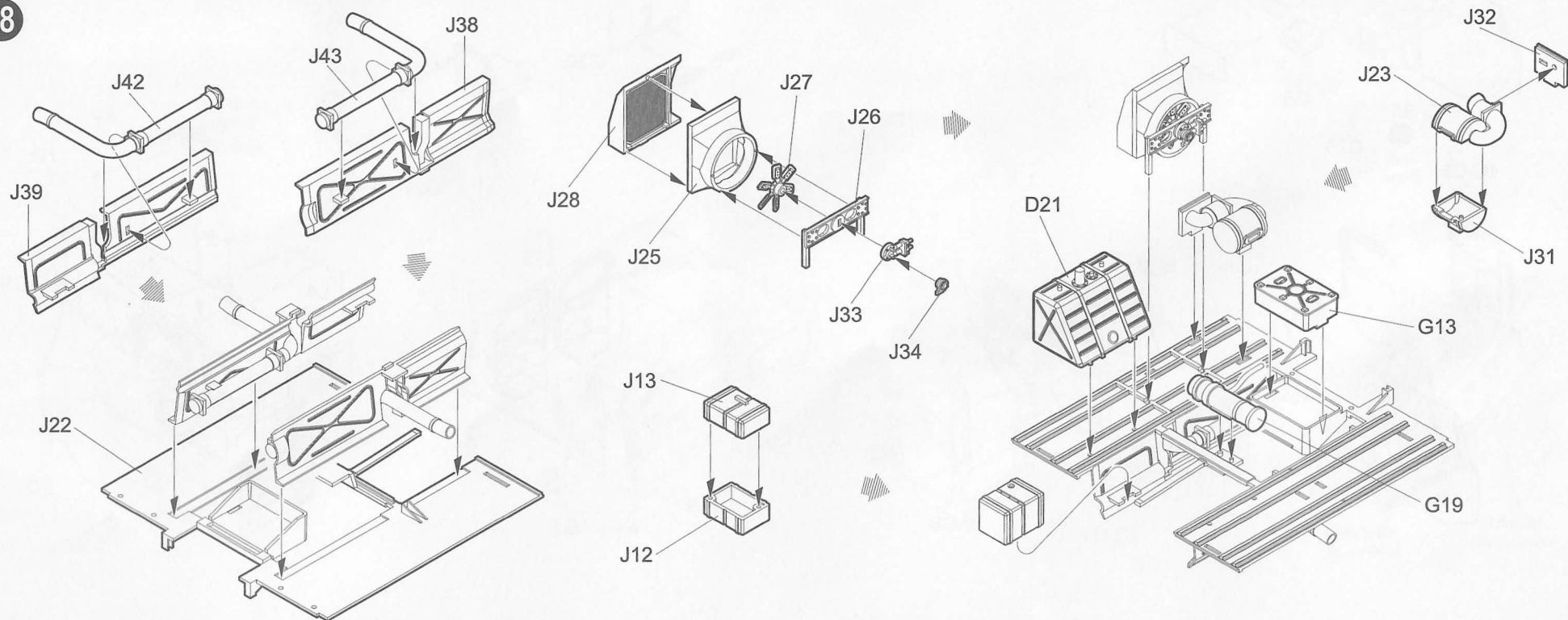


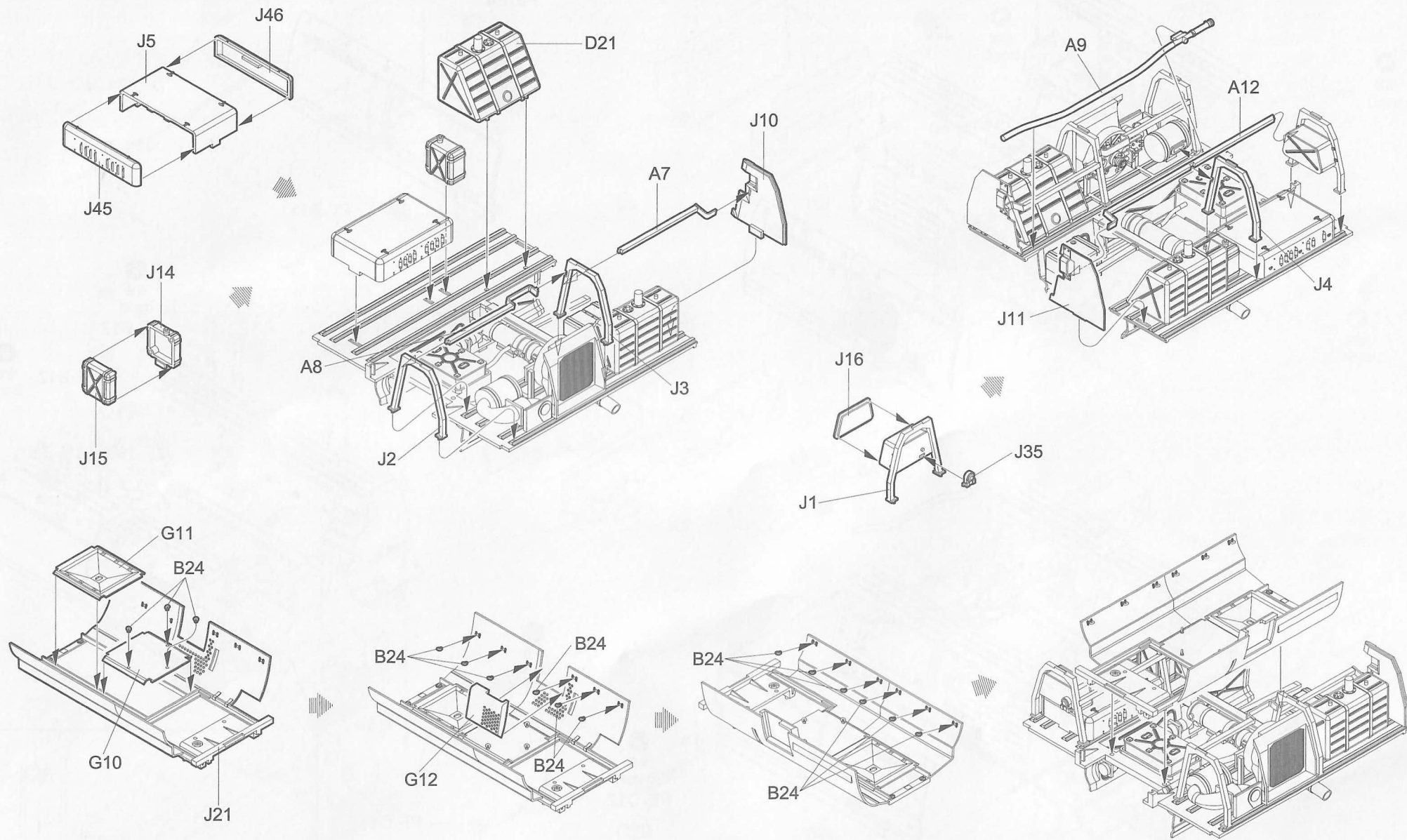


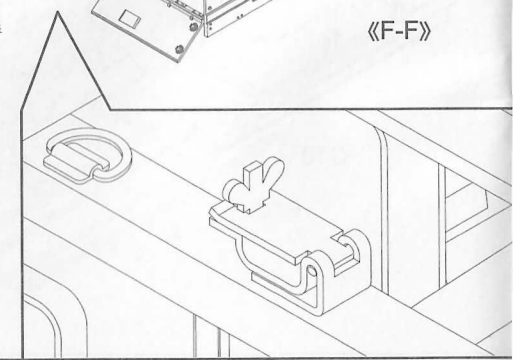
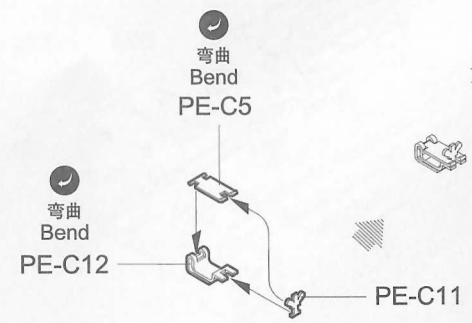
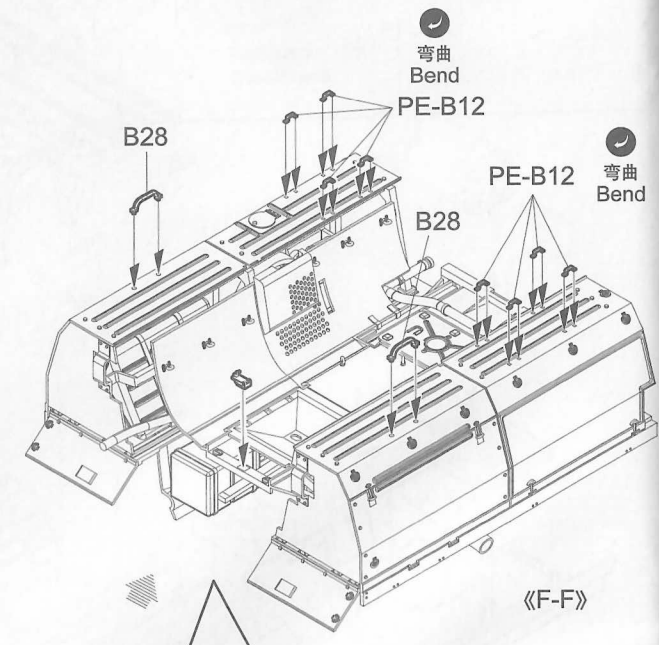
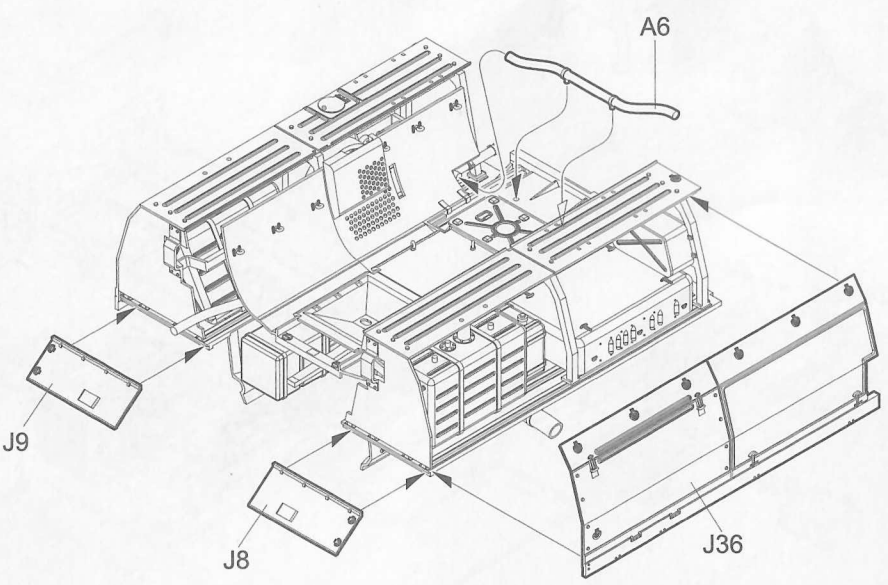
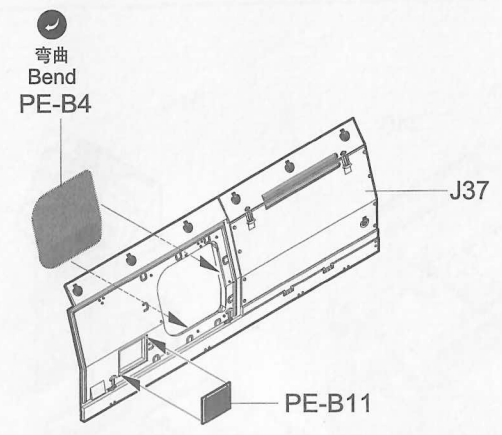
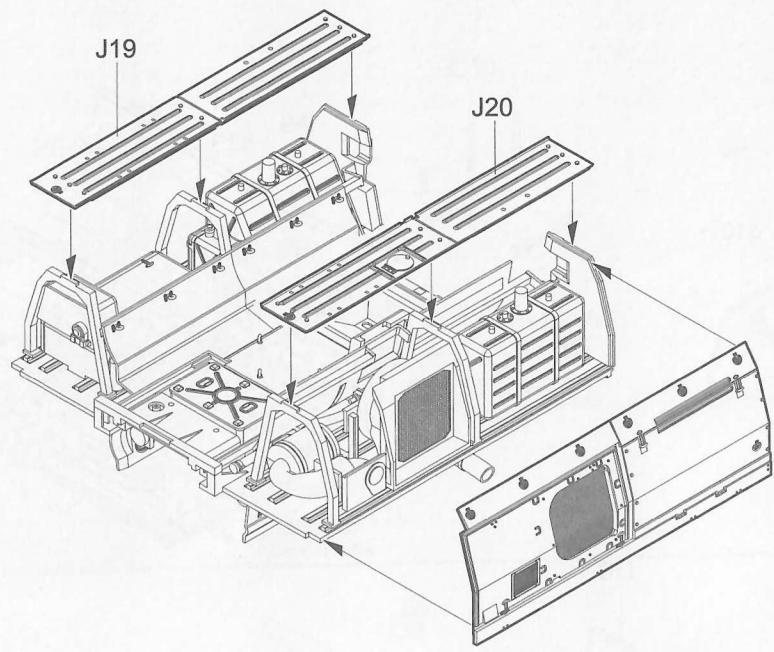
17

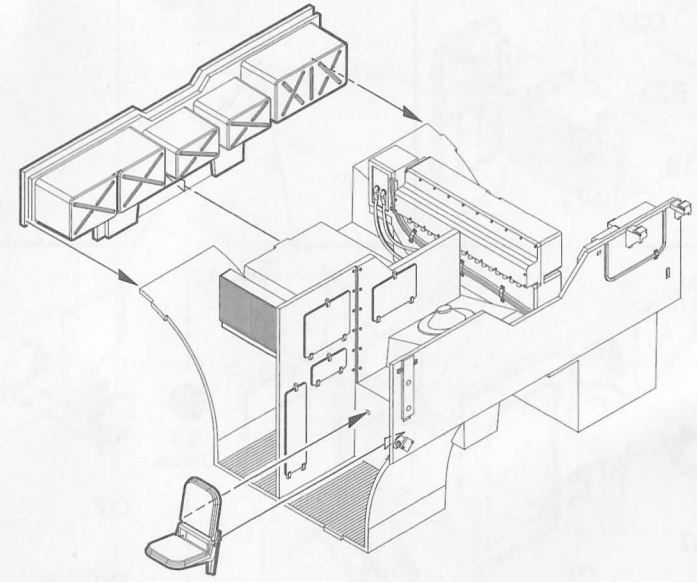
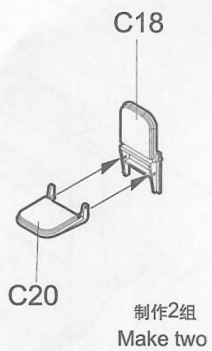
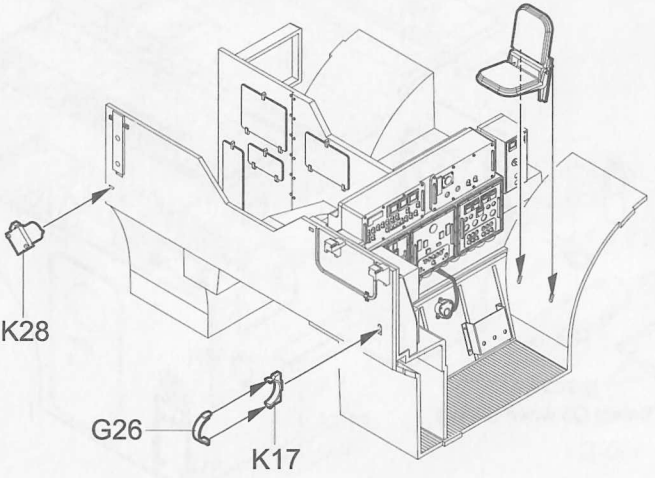
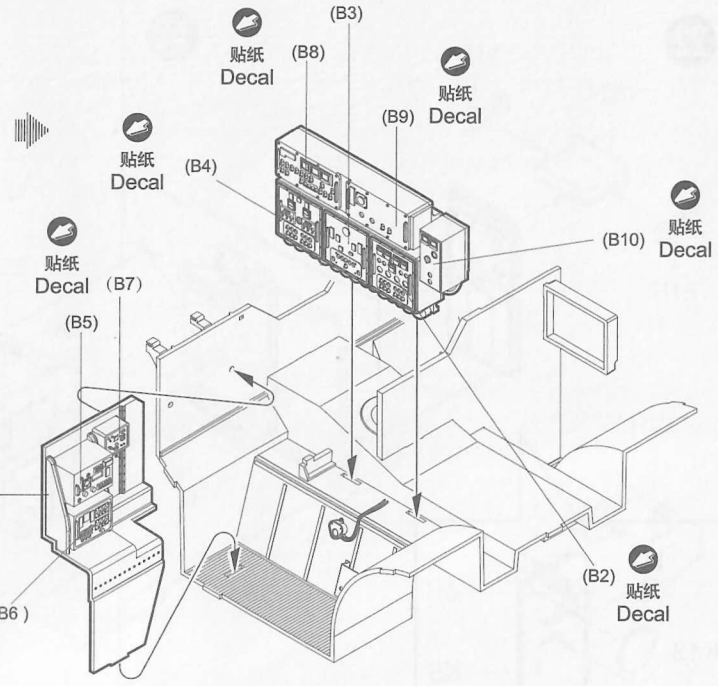
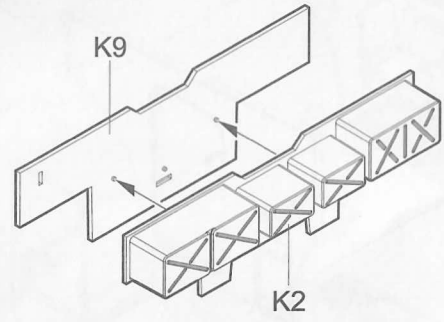
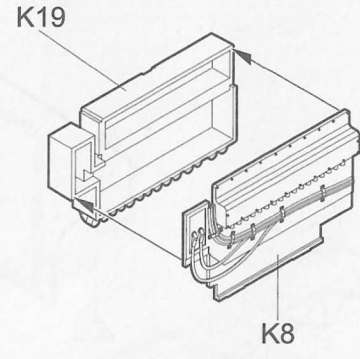
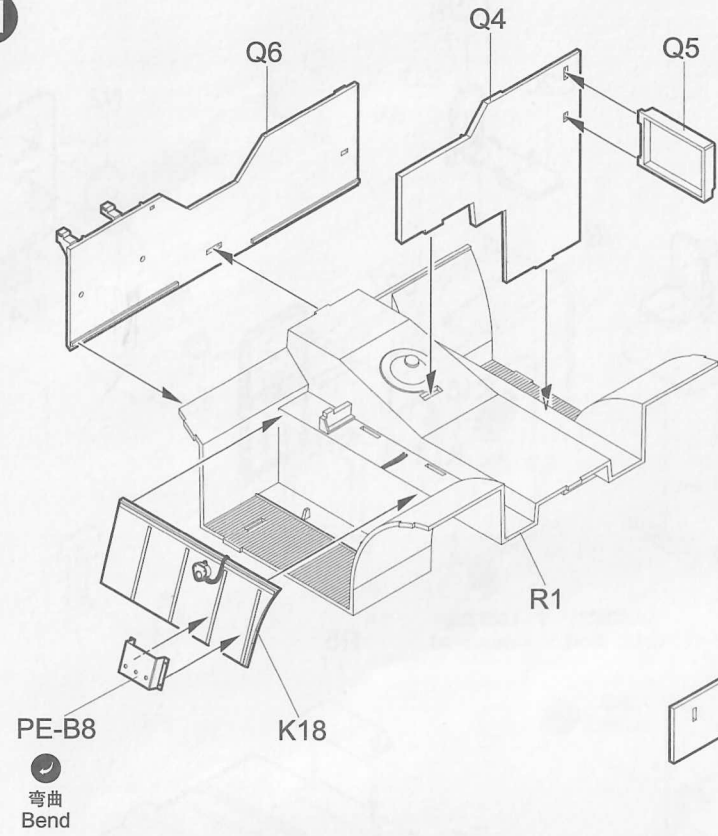


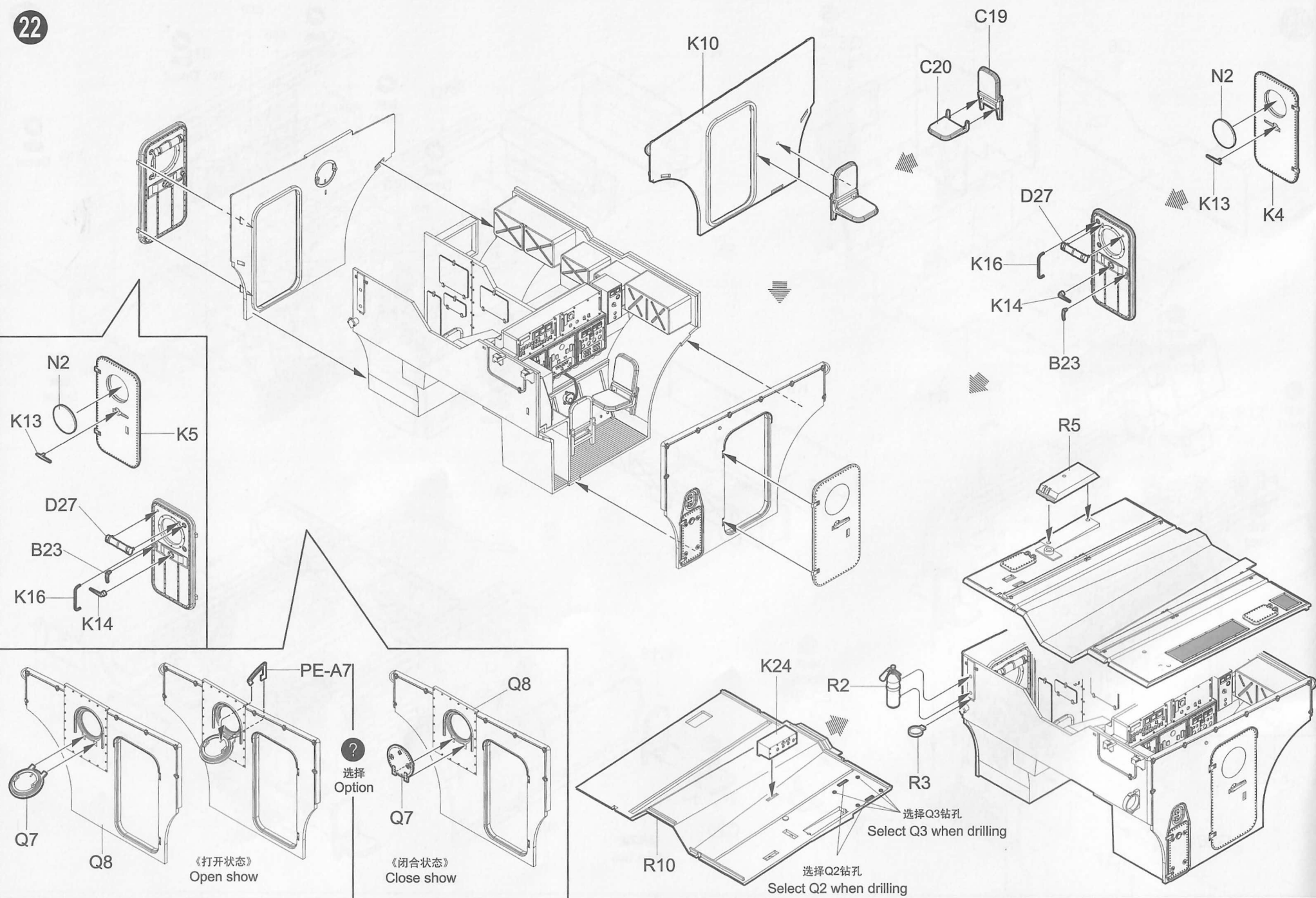
18



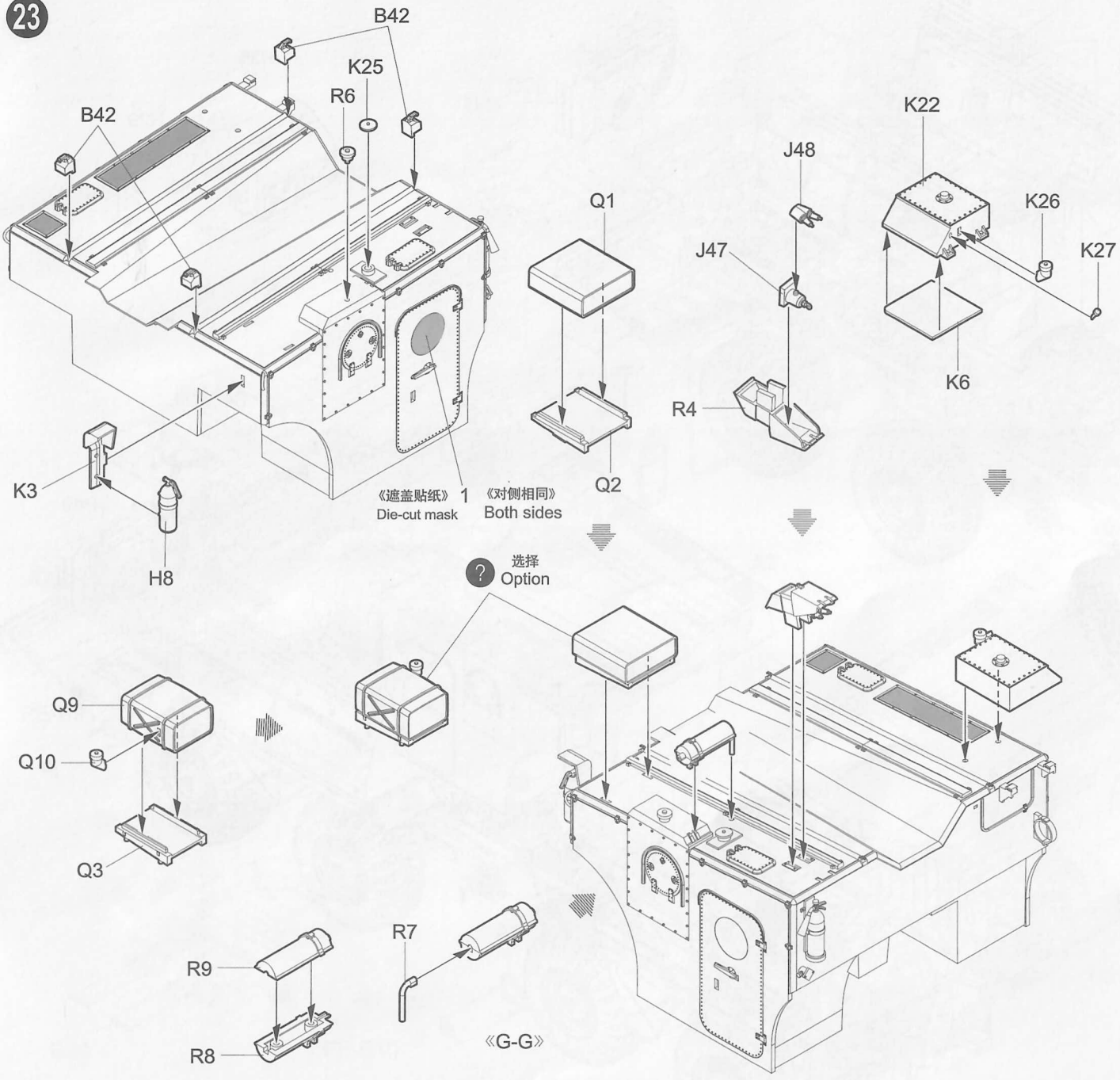




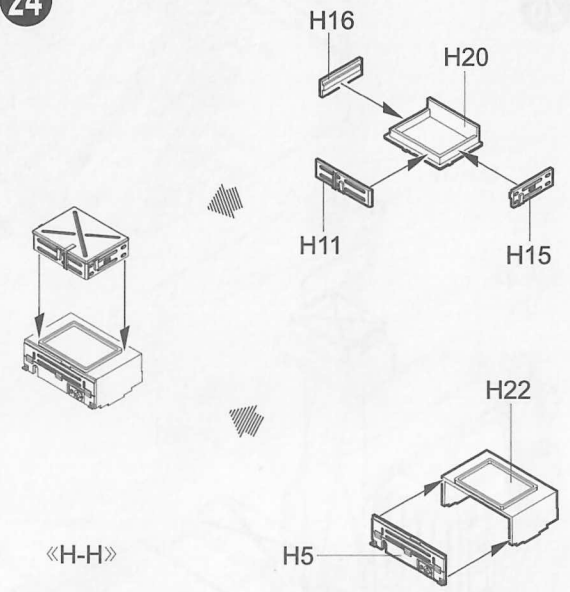




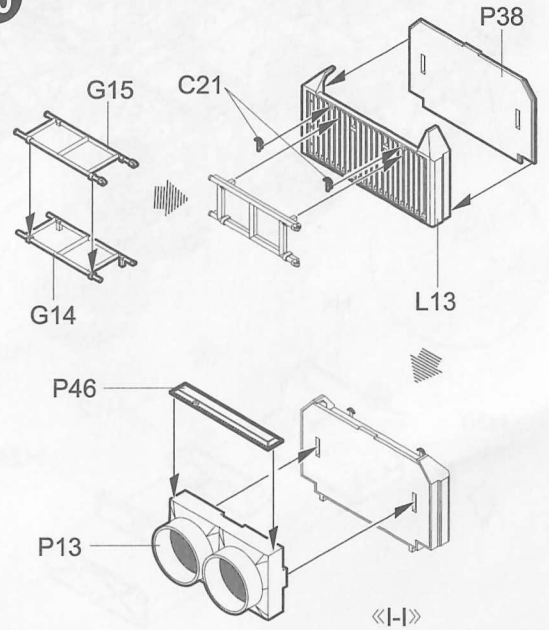
23

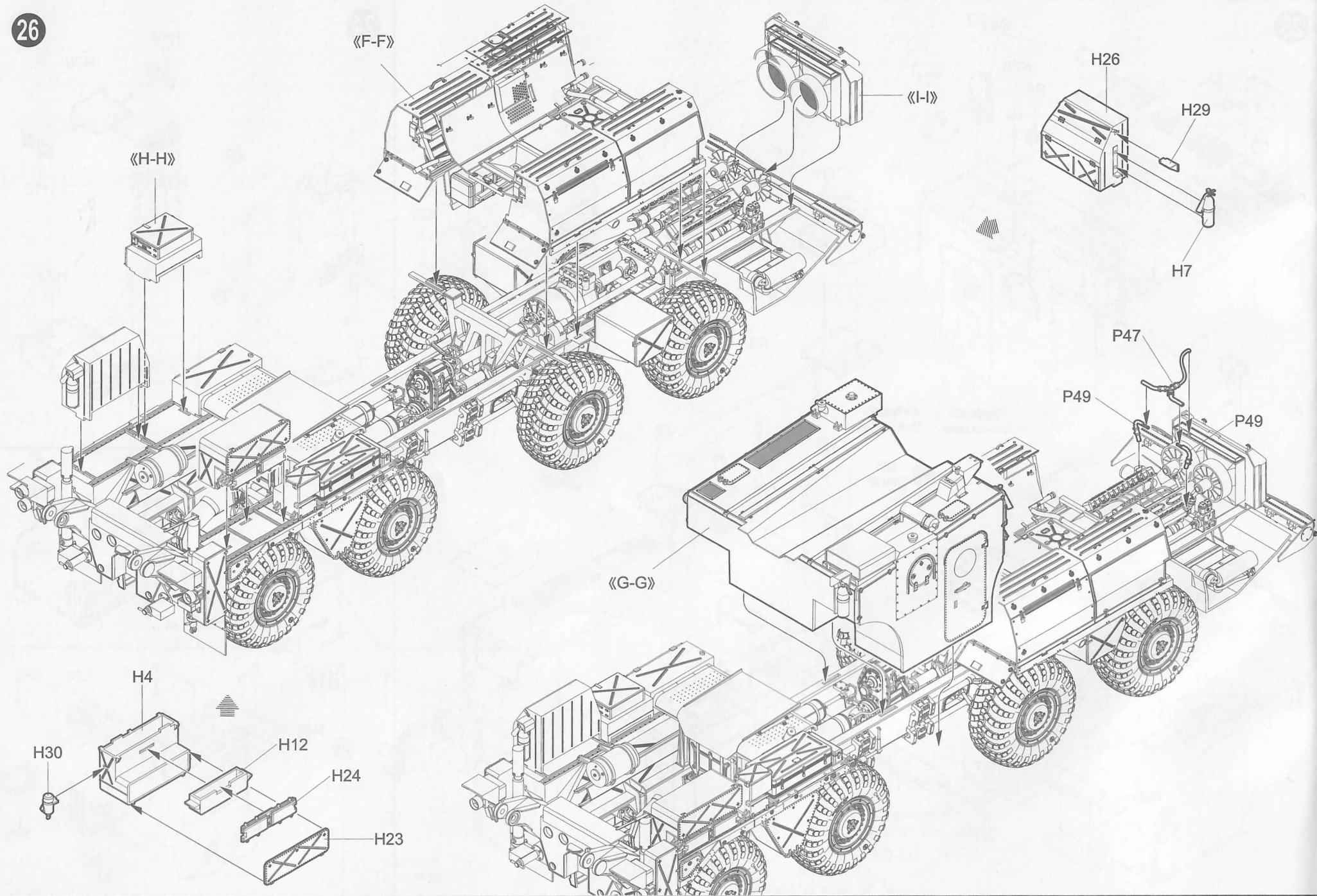


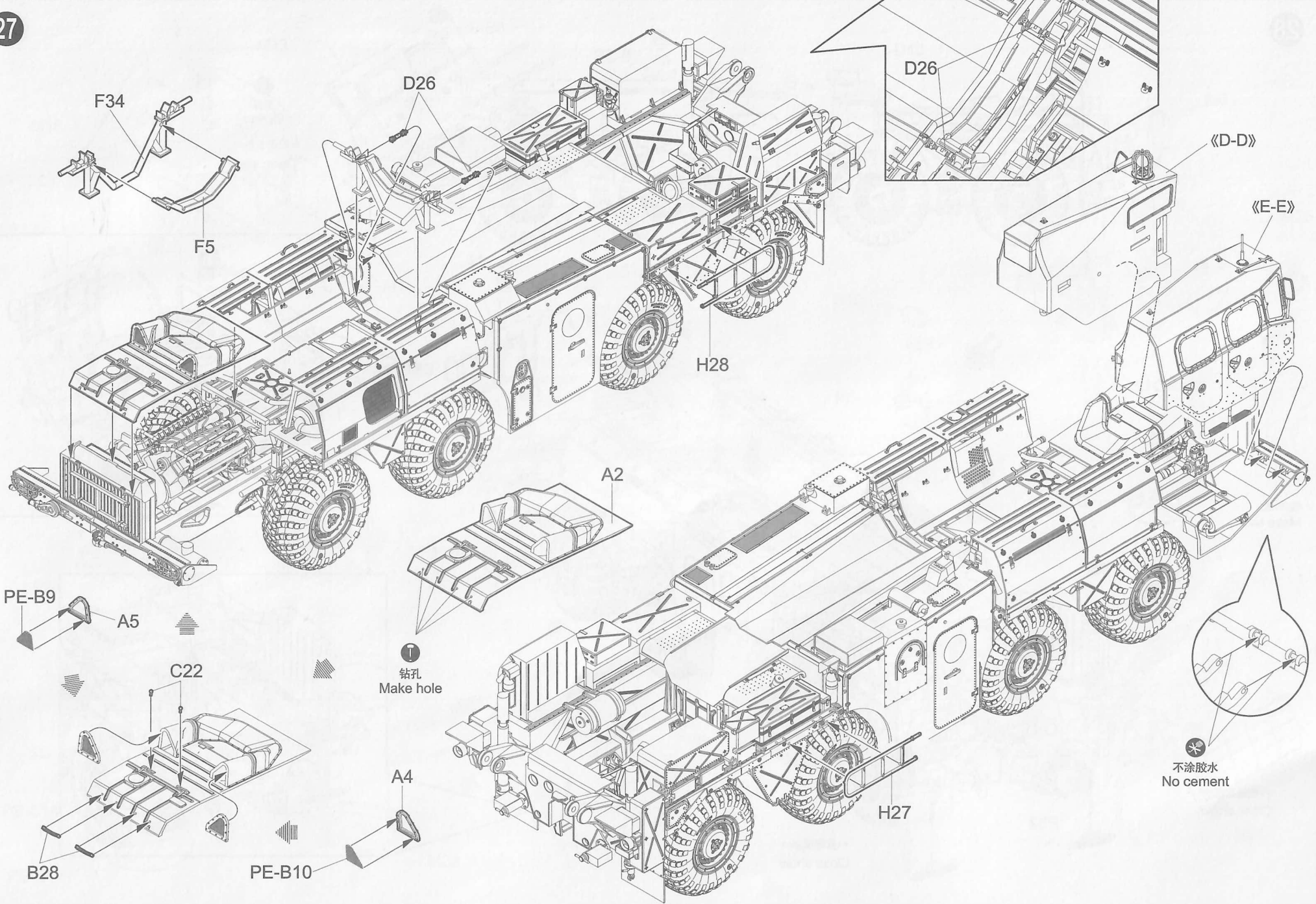
24

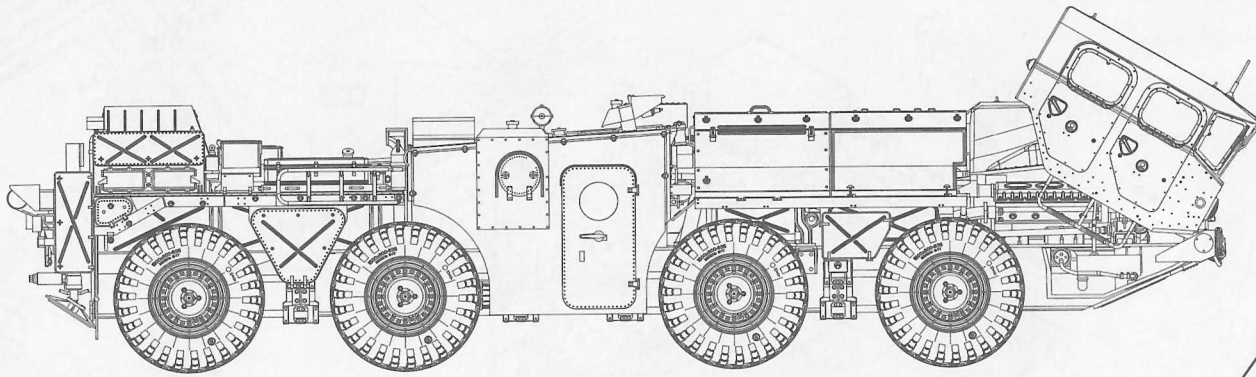


25



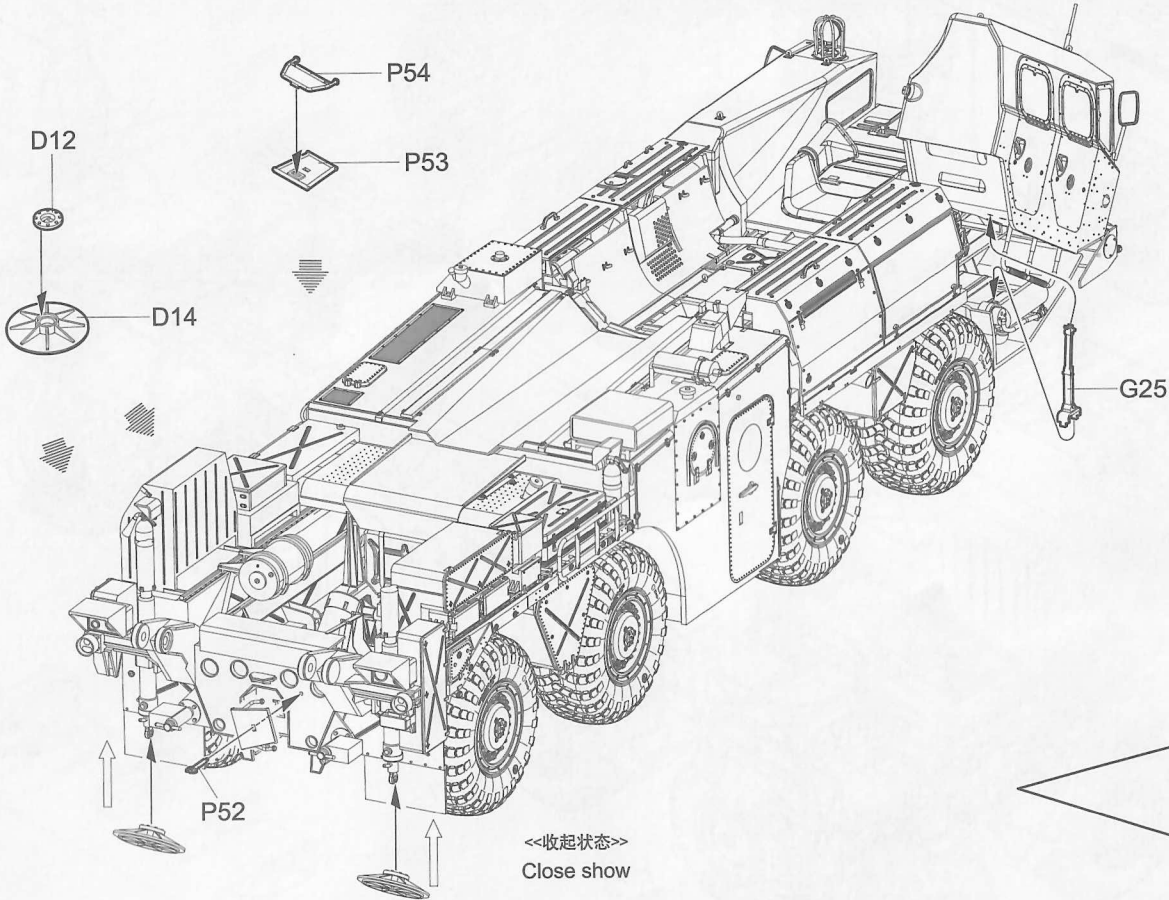
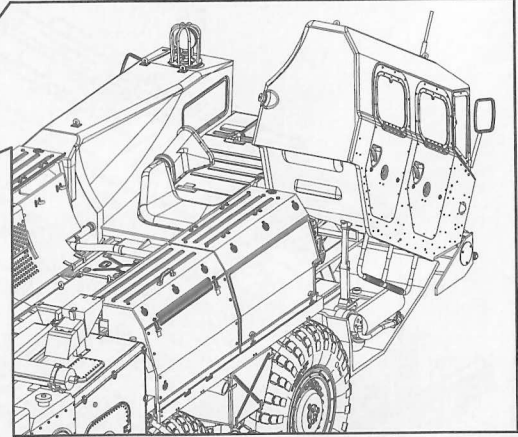






⑦
选择
Option

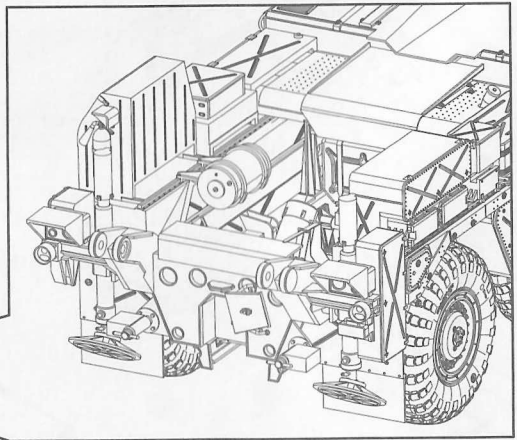
<<打开状态>>
Open show

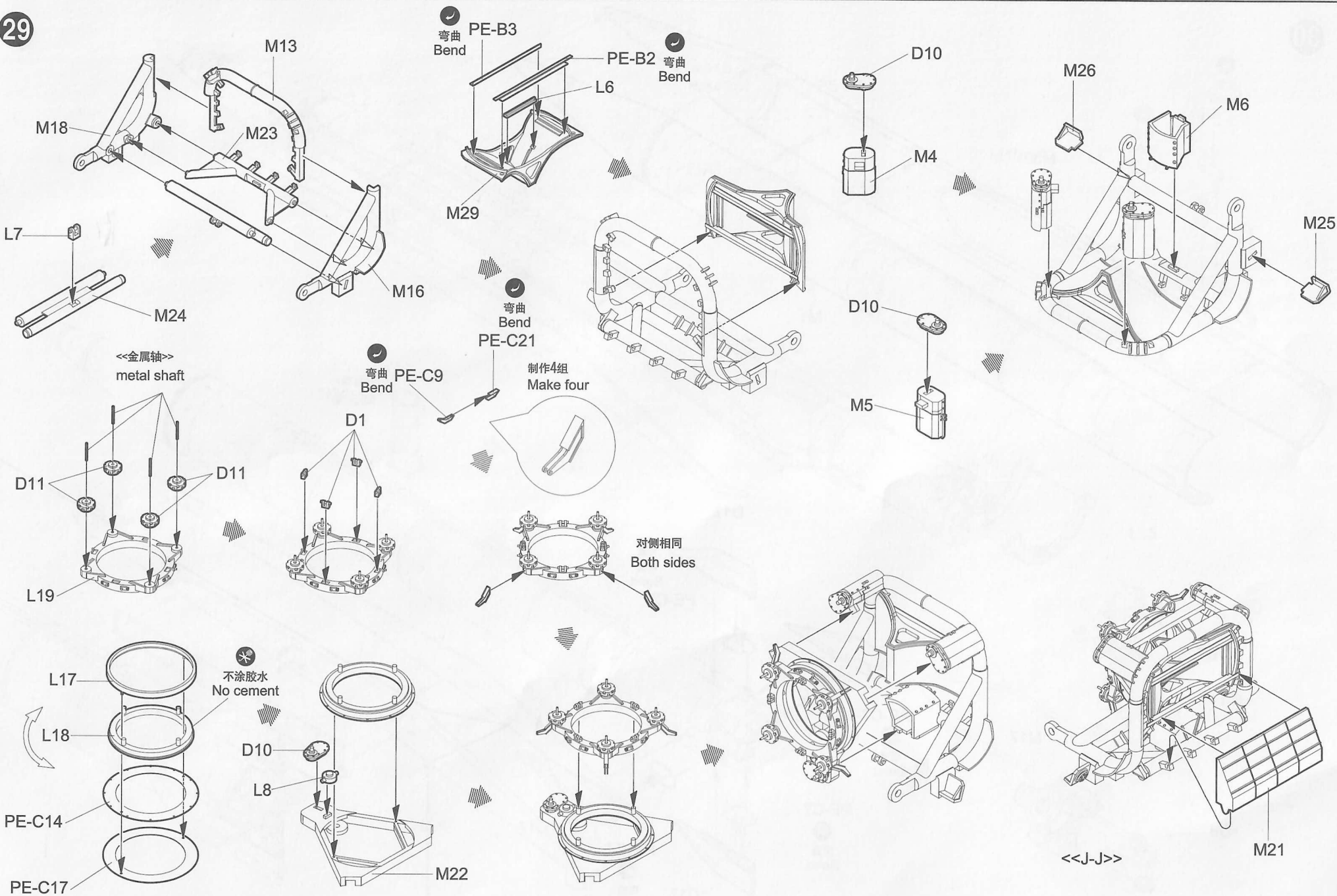


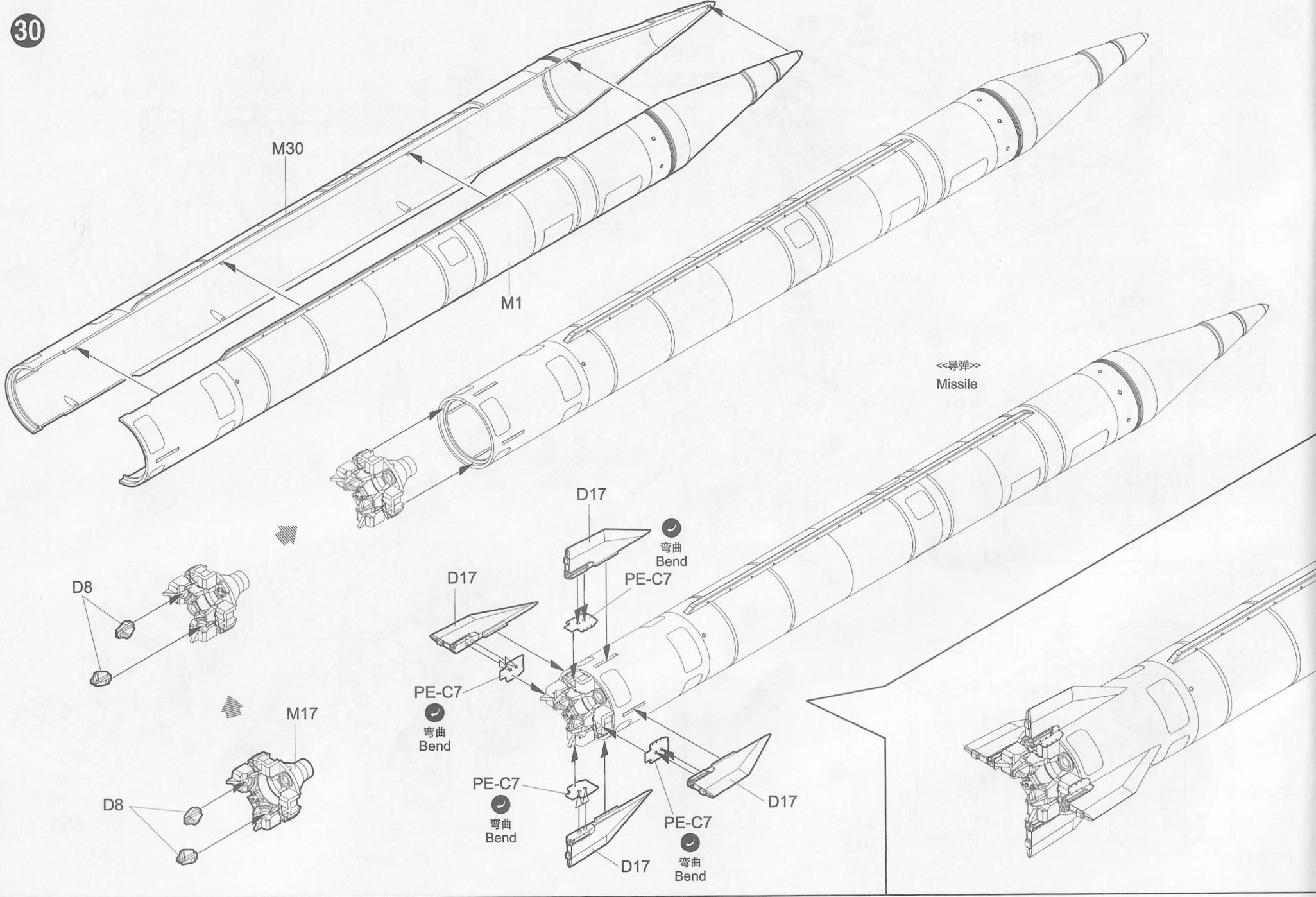
制作2组
Make two

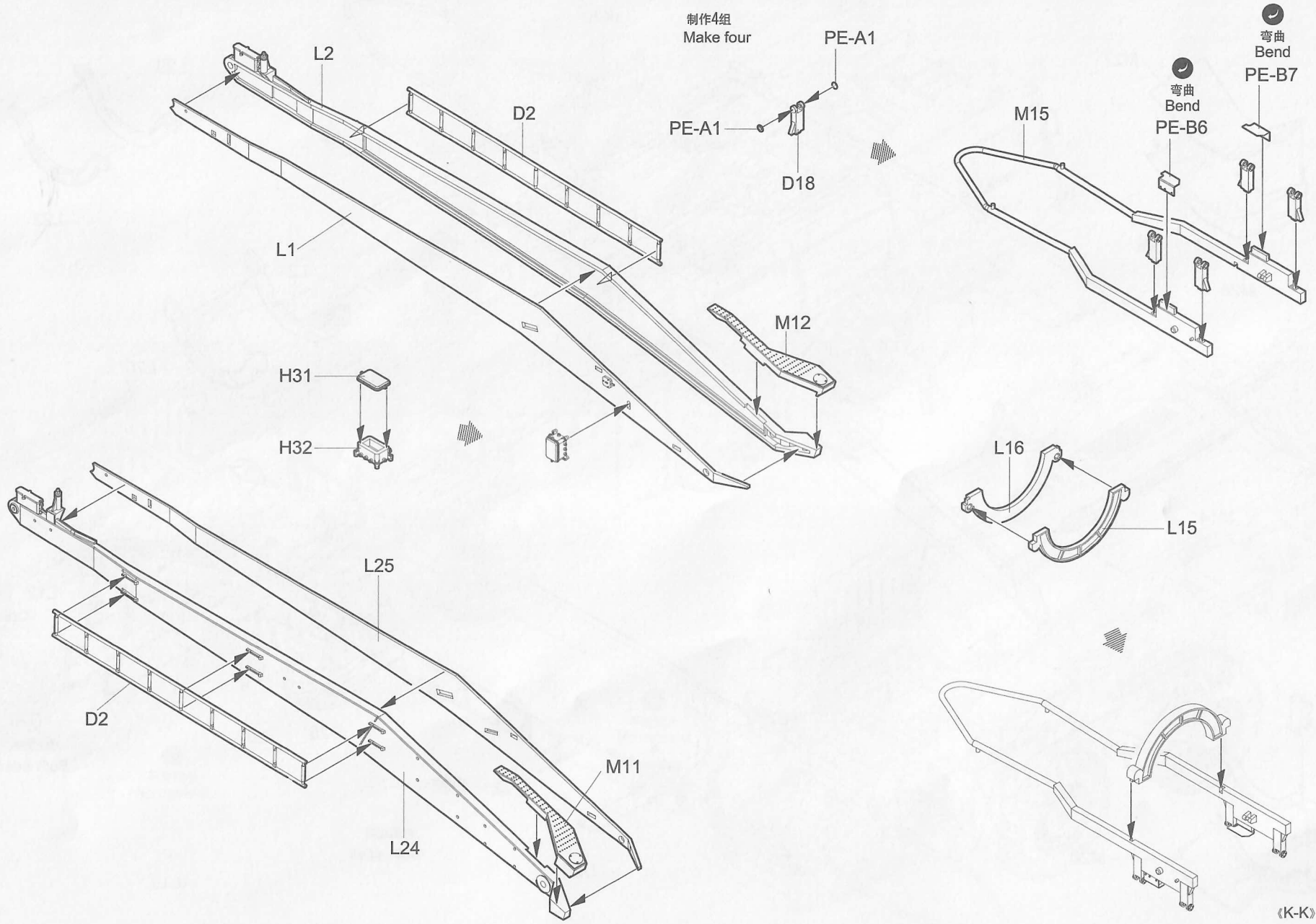
<<收起状态>>
Close show

<<收起状态>>
Close show

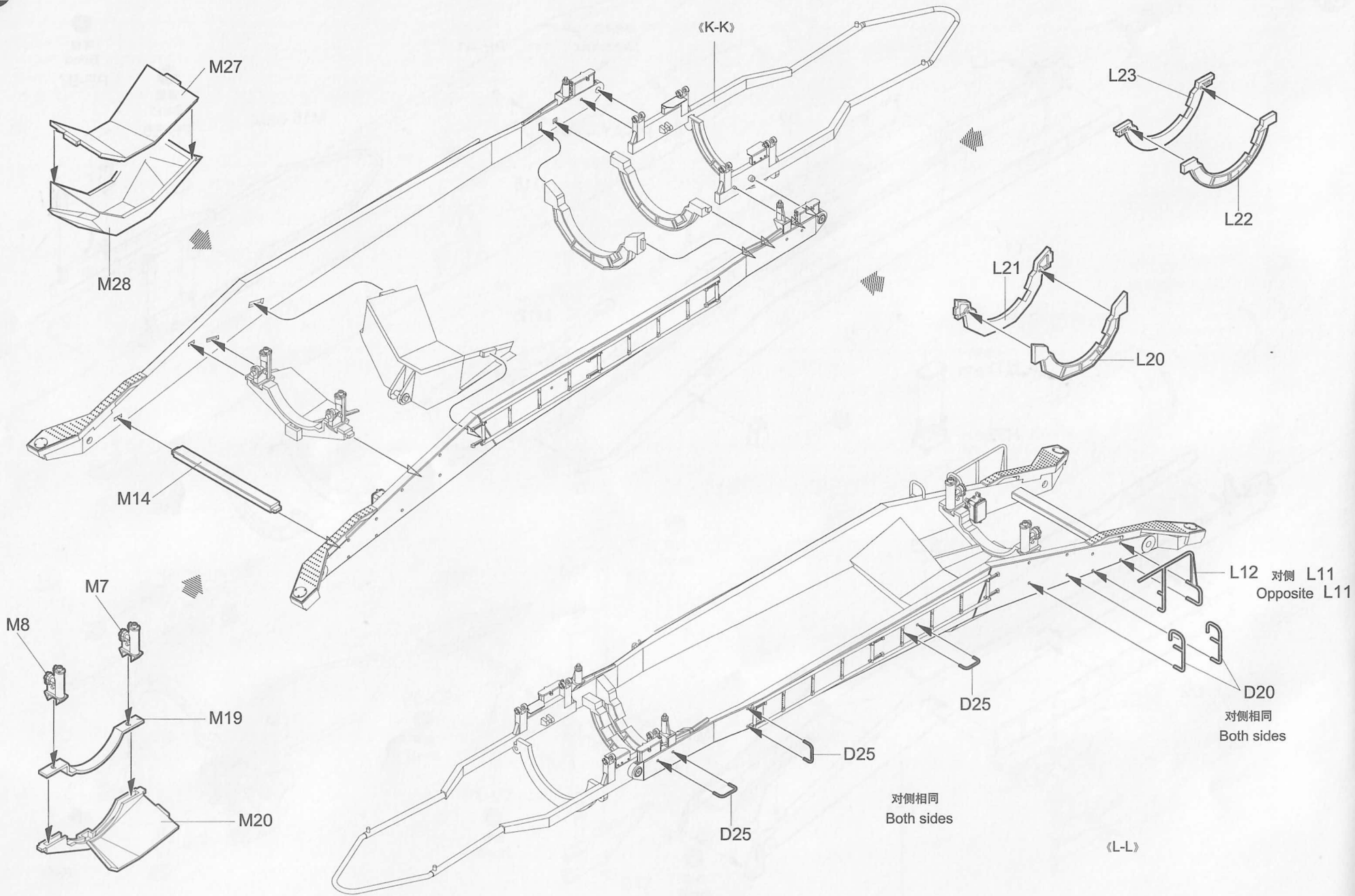


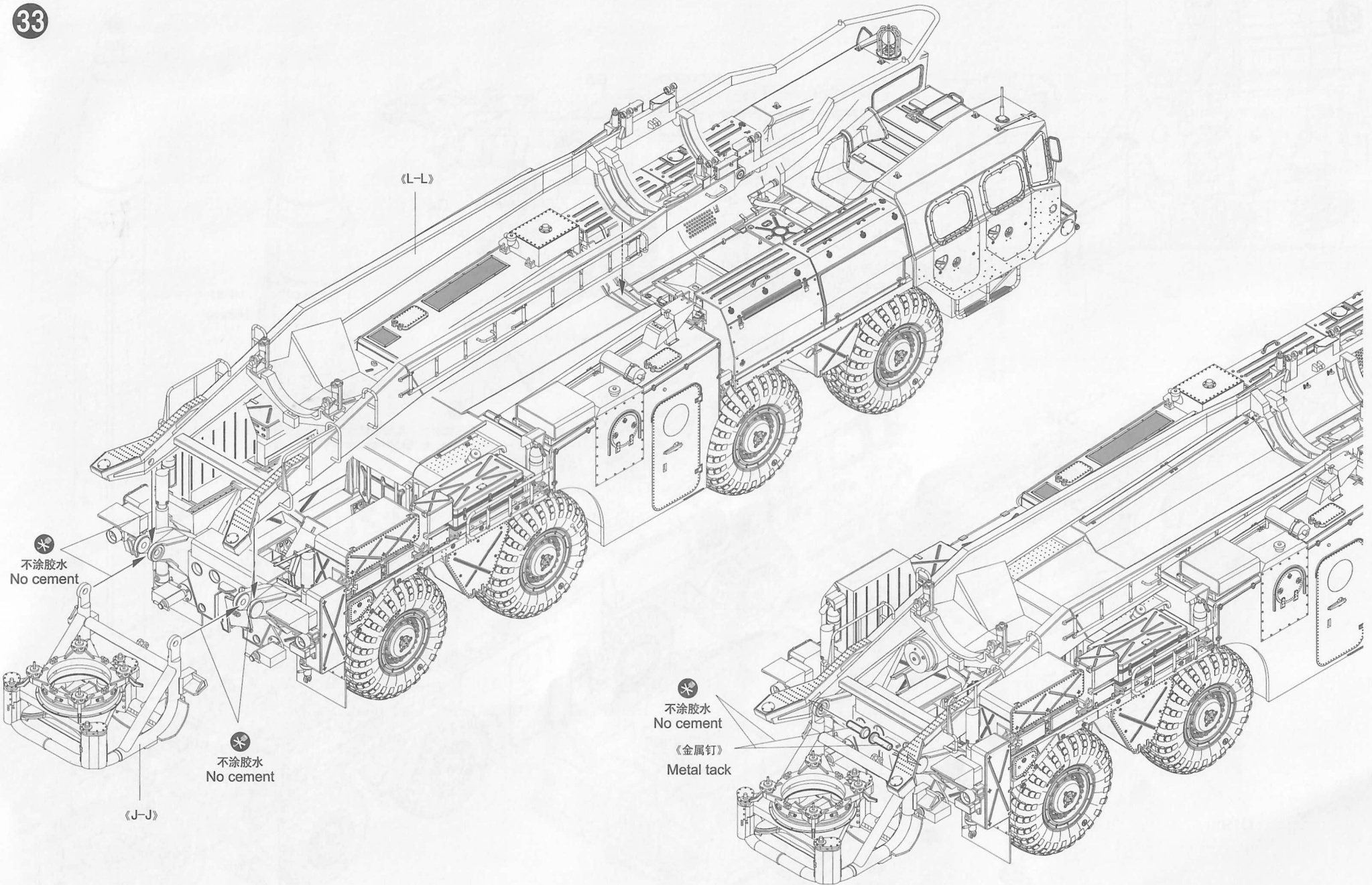


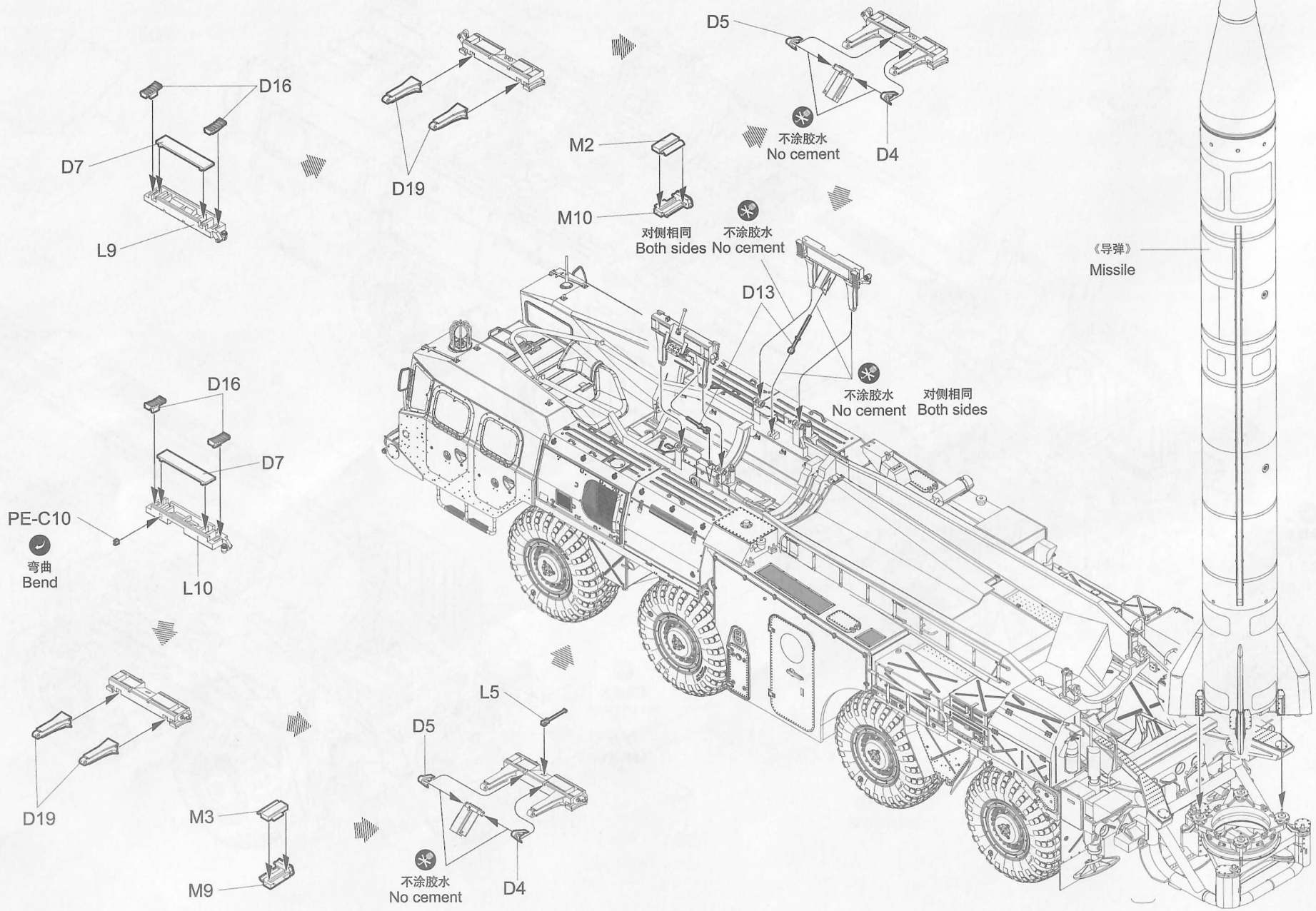


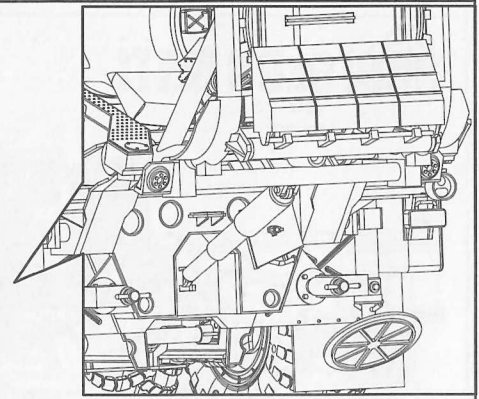
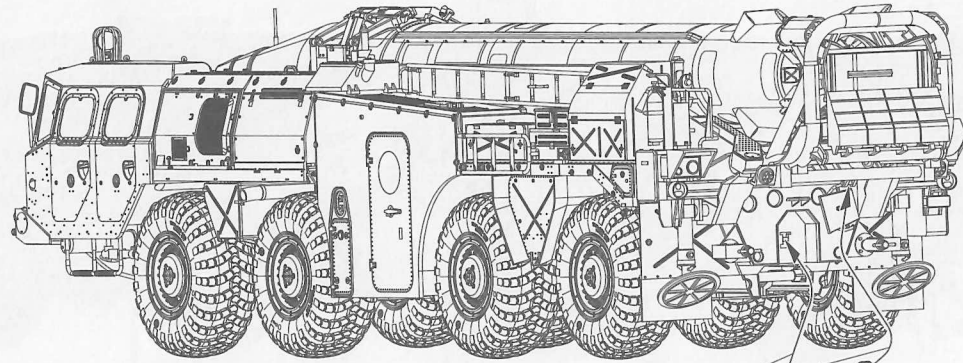
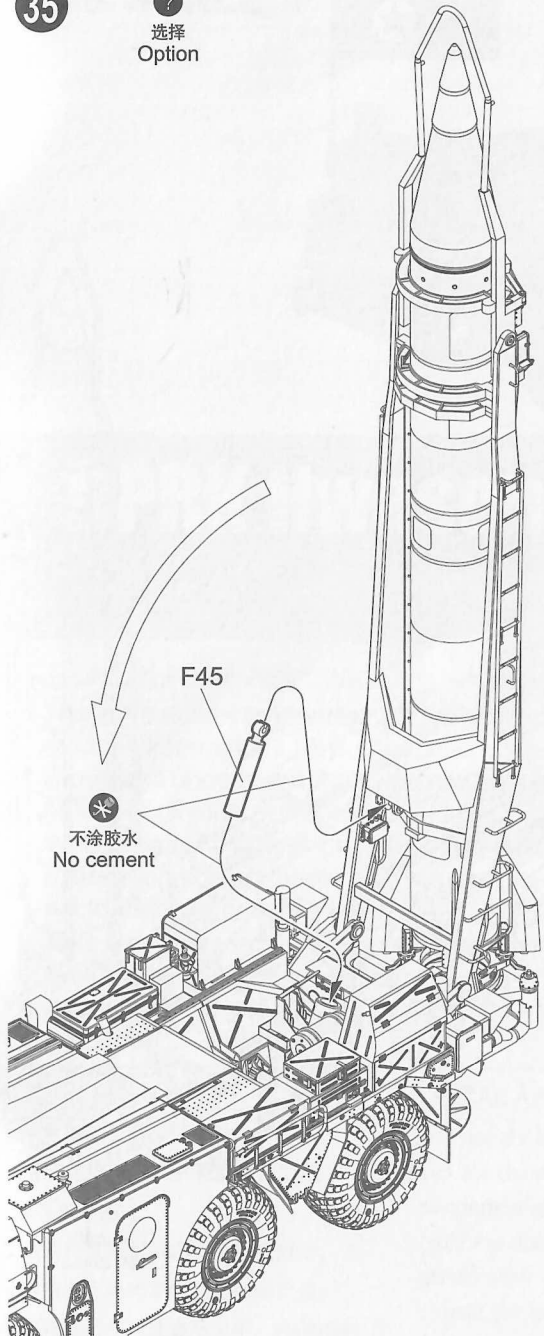


《K-K》

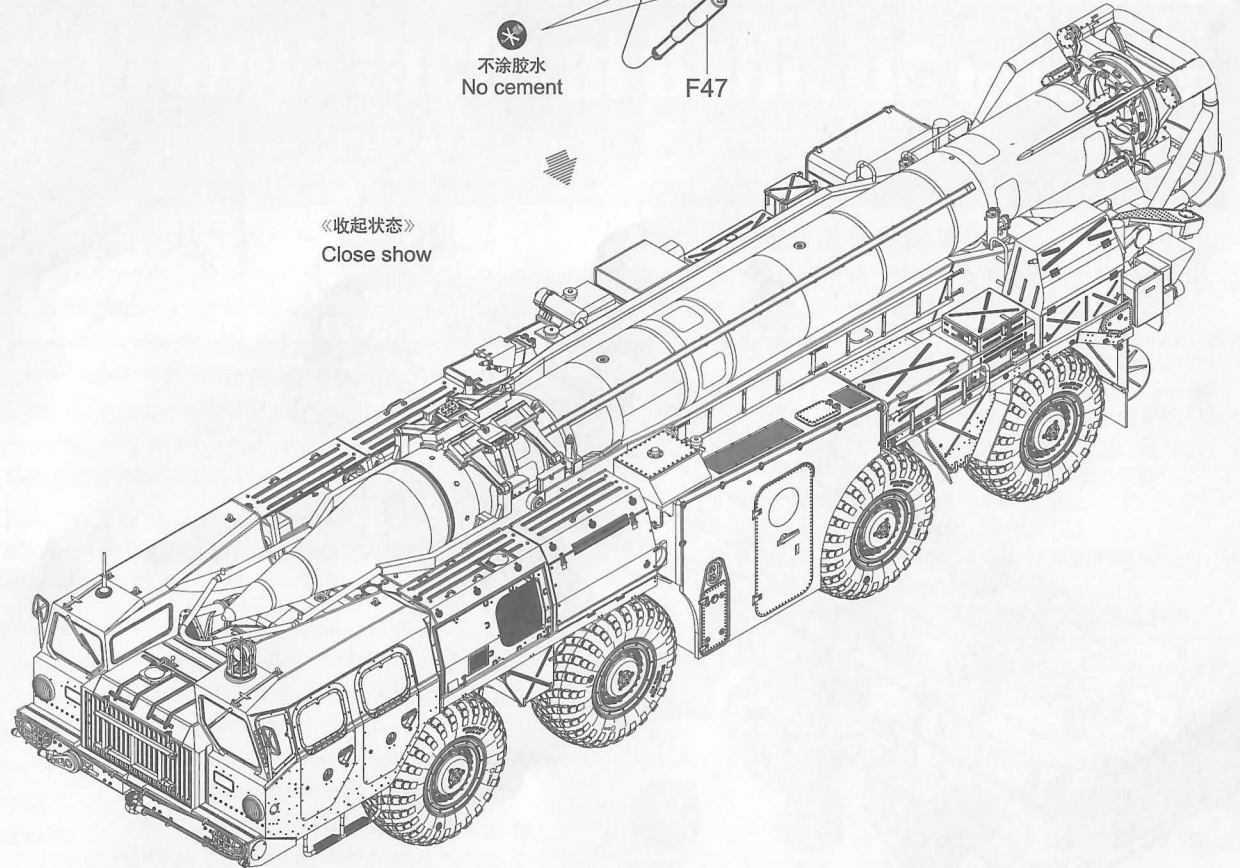




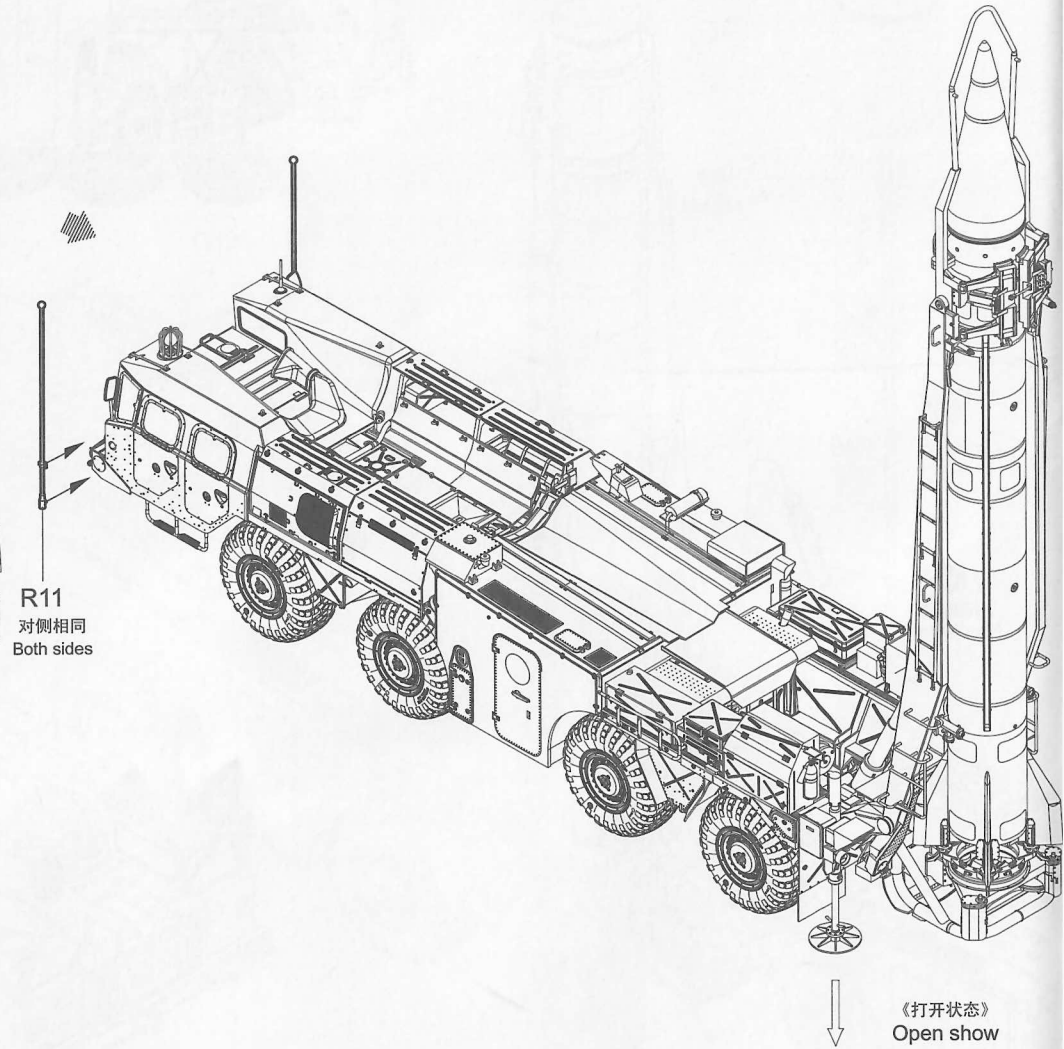
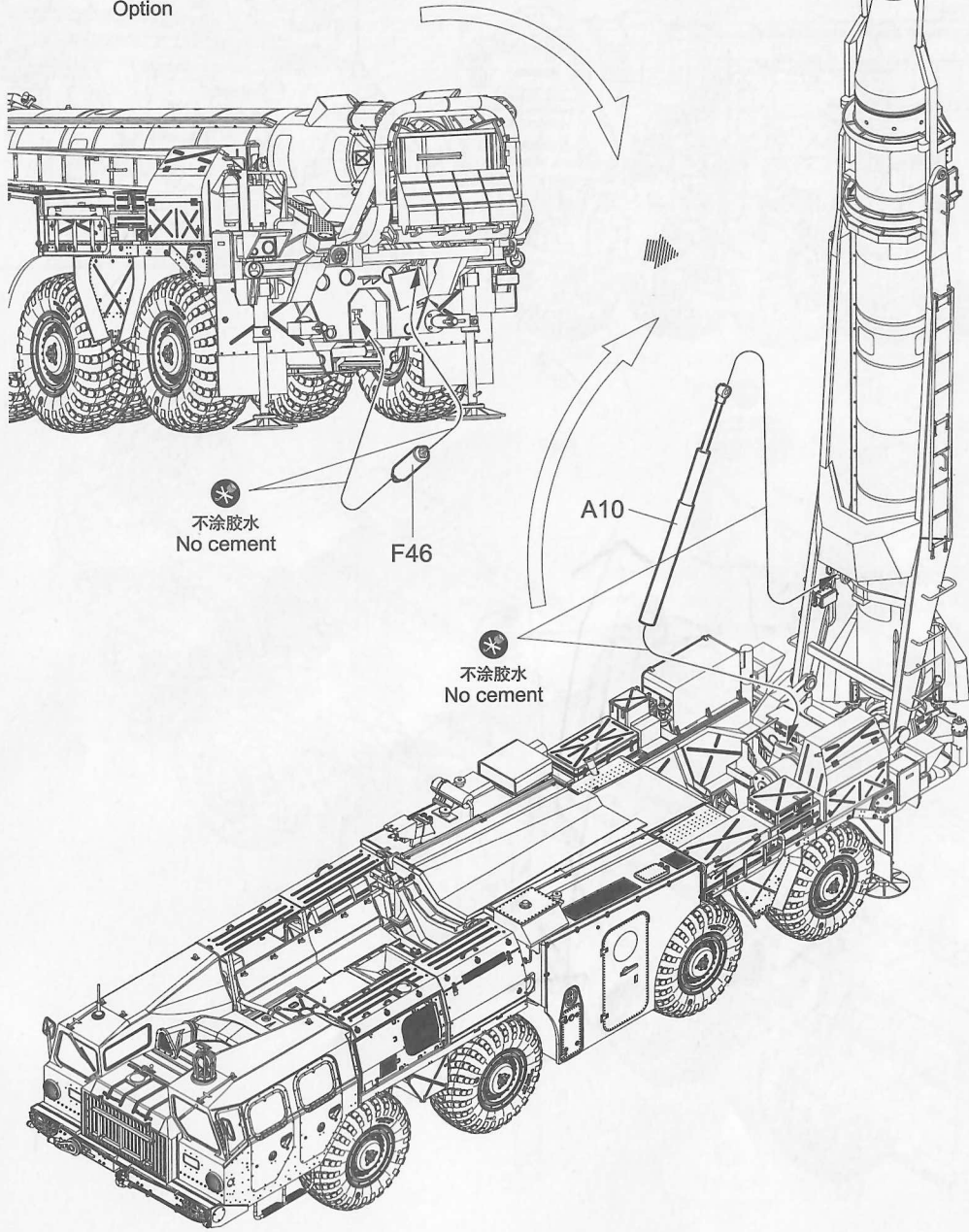




《收起状态》
Close show



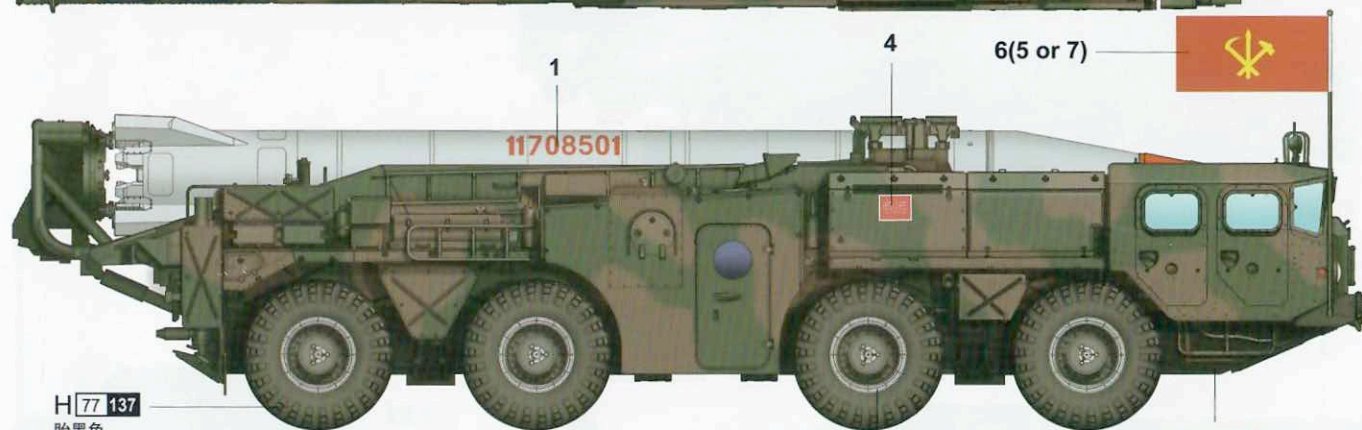
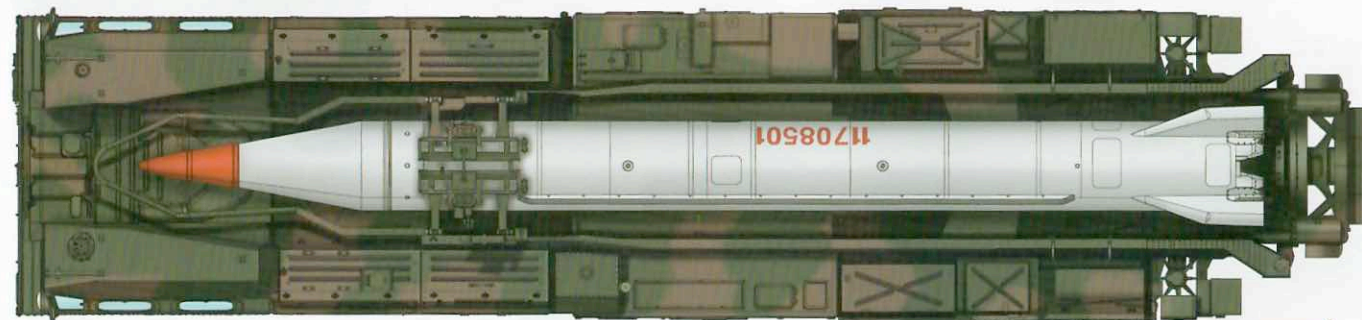
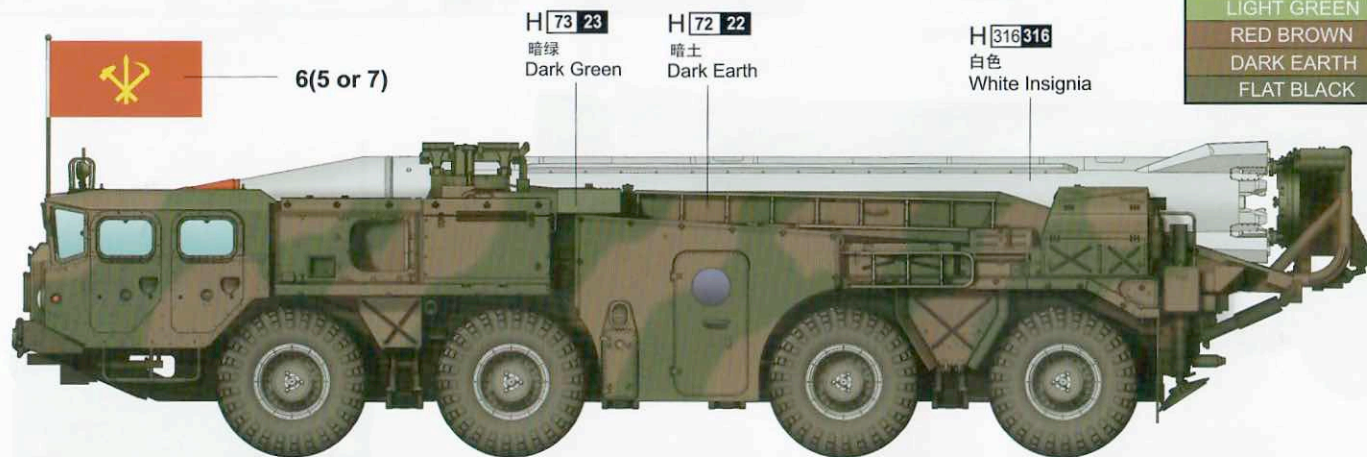
选择
Option



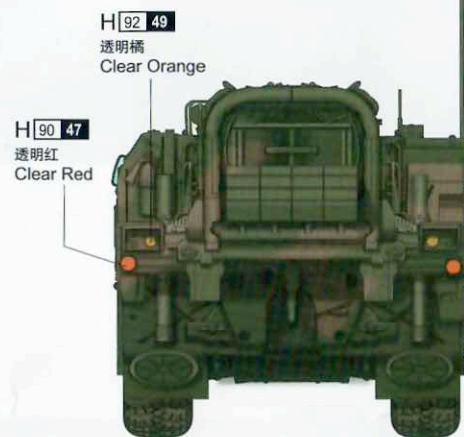
涂装同标贴指示 Painting & Marking guide

A

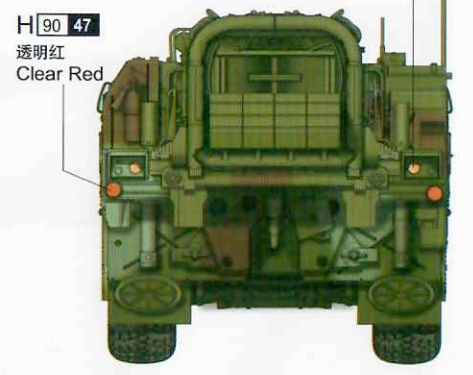
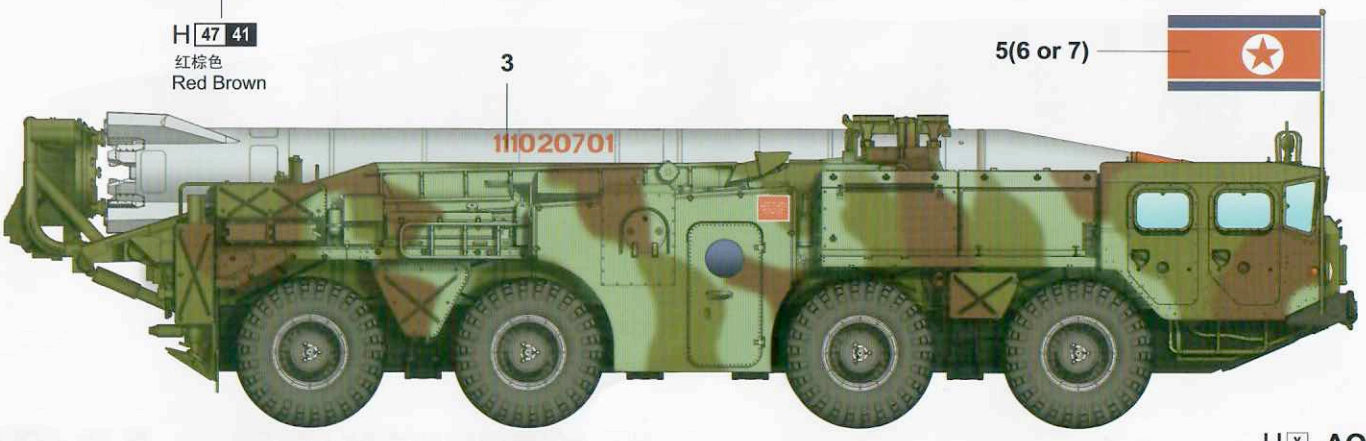
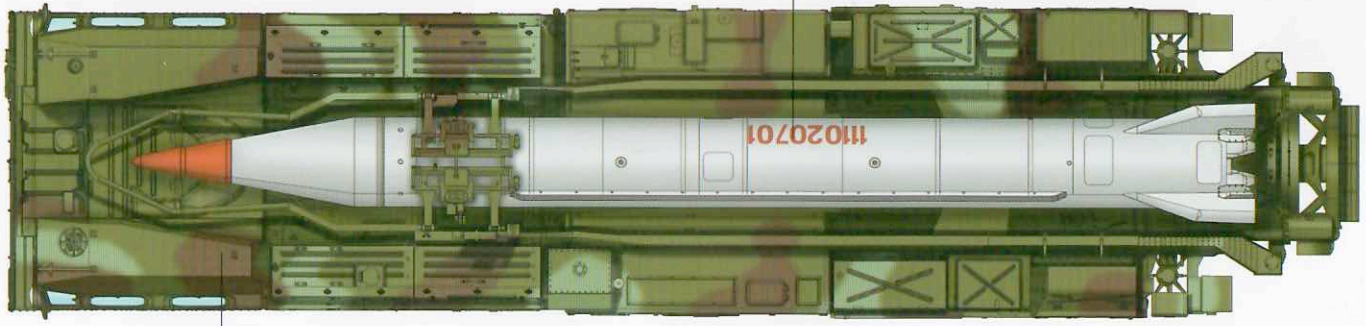
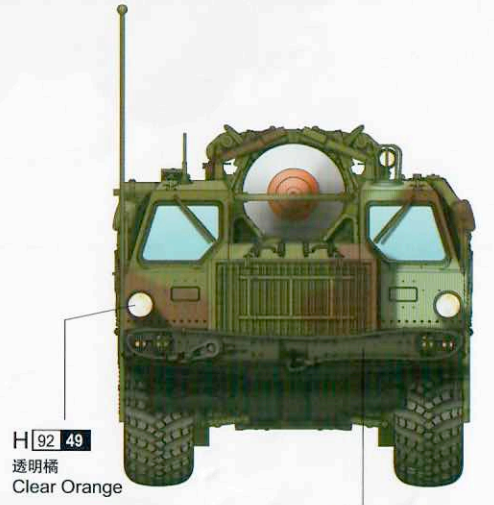
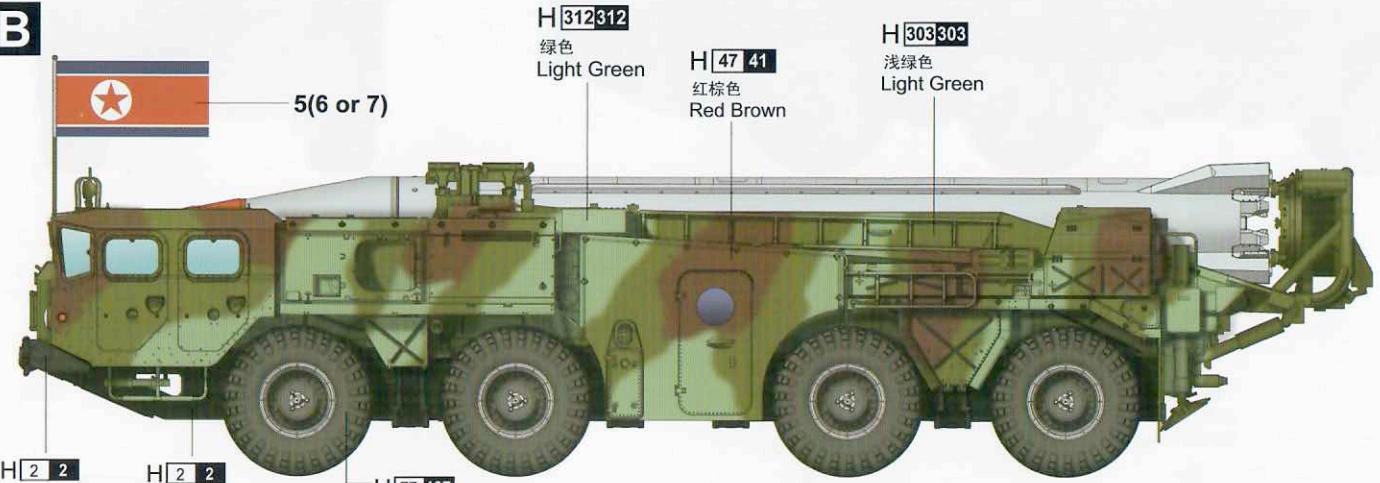
COLOR	MR.HOBBY	MODEL MASTER	TAMIYA	HUMBROL
TIRE BLACK	H77 137	—	—	—
RED	H3 3	1503	X7	19
BLACK	H2 2	1747	X1	21
CLEAR ORANGE	H92 49	—	X26	—
CLEAR RED	H90 47	—	X27	—
LIGHT GREEN	H303 303	1713	XF20	117
WHITE	H316 316	1745	X2	22
LIGHT GREEN	H312 312	1716	—	120
RED BROWN	H47 41	—	XF64	160
DARK EARTH	H72 22	1702	XF52	29
FLAT BLACK	H12 33	1749	XF1	33



H92 49
透明橘 Clear Orange



B



H [X] AQUEOUS HOBBY COLOR X [X] Mr. COLOR

涂装同标贴指示 Painting & Marking guide

C

COLOR	MR. HOBBY	MODEL MASTER	TAMIYA	HUMBROL
TIRE BLACK	H 77 137	—	—	—
OLIVE DRAB	H 304 304	1711	XF62	155
BLACK	H 2 2	1747	X1	21
WHITE	H 316 316	1745	X2	22
RED	H 3 3	1503	X7	19
CLEAR ORANGE	H 92 49	—	X26	—
CLEAR RED	H 90 47	—	X27	—



H 2 2
黑色
Black

H 316 316
白色
White Insignia

H 77 137
胎黑色
Tire Black

H 304 304
橄欖色
Olive Drab



H 92 49
透明橘
Clear Orange

H 2 2
黑色
Black

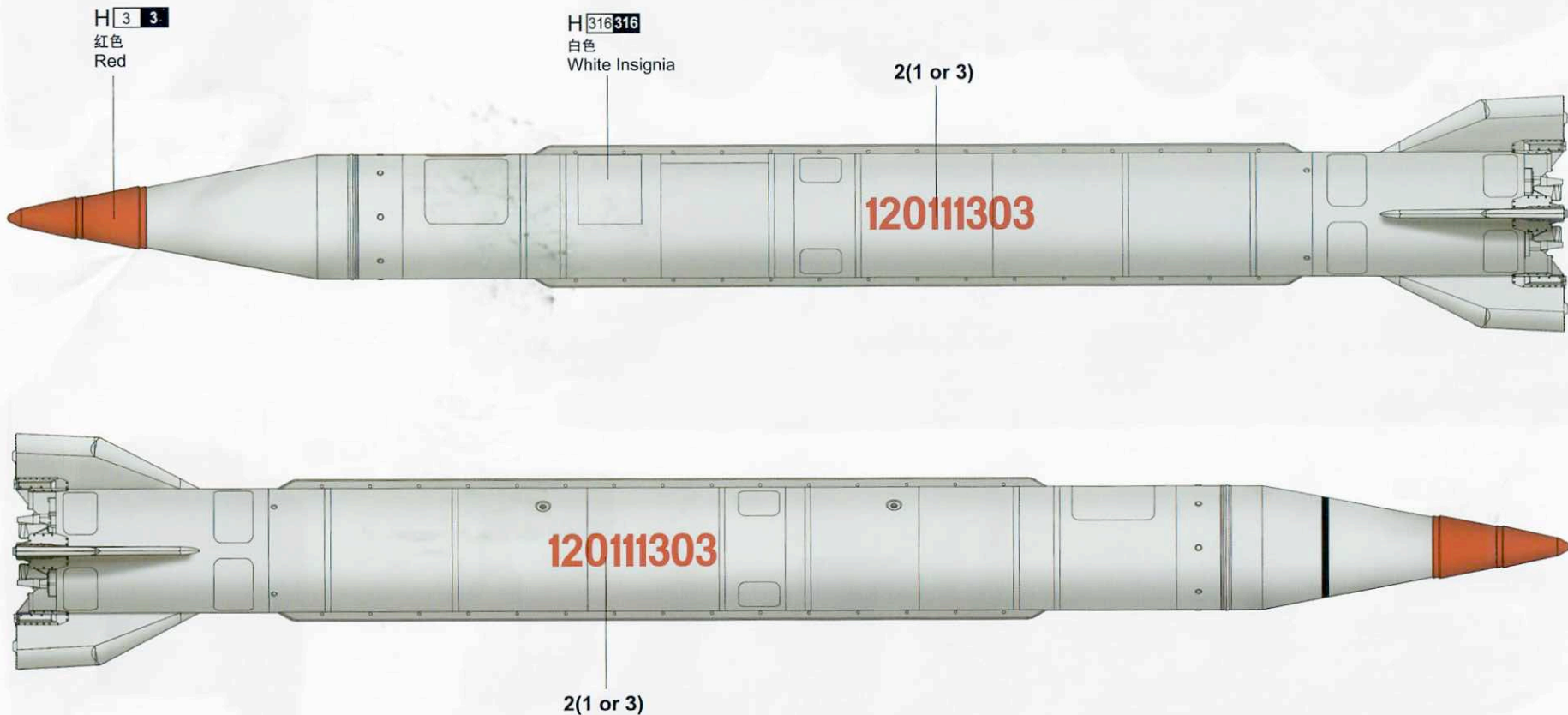


H 3 3
紅色
Red



H 90 47
透明紅
Clear Red

H 92 49
透明橘
Clear Orange



H **X** AQUEOUS HOBBY COLOR

X Mr. COLOR