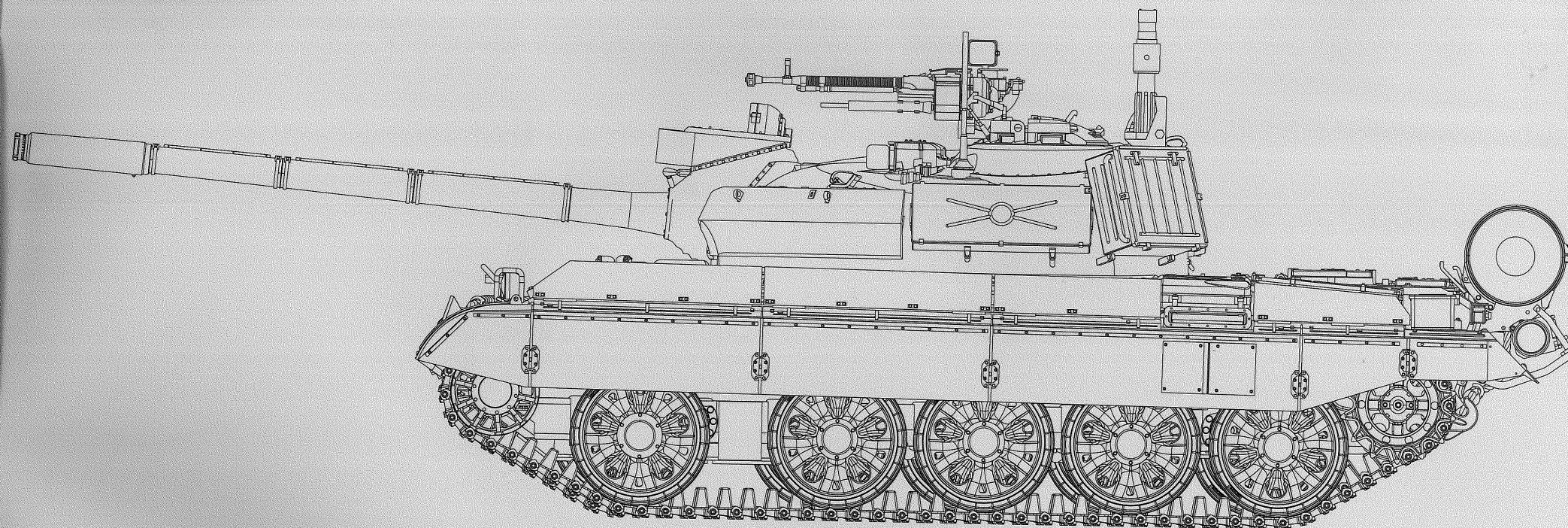


2016/2057

DDR MEDIUM TANK

T-55 AM2B



The ubiquitous T-54 & T-55 series is the most produced tank type in history, with an estimated 100,000 units having been produced in Russia, Czechoslovakia, Poland, and China. These tanks have been evolving since their inception at the end of WWII, continuously incorporating improved weapons, powerpacks, and protection, and they continue to be rebuilt and refurbished with local upgrades even today. They have also formed the basis of many other AFV's, such as ARV's, APC's and

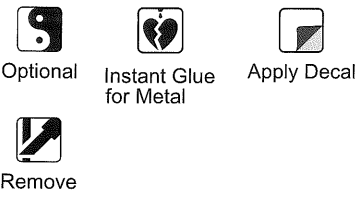
The T-55AM2B is the Czech-produced tank that coincided with the upgraded Russian T-55AM in 1983. This upgrade includes the same passive applique armor package unofficially known as 'BDD' or 'Brow Armor', providing an additional 170mm of protection to the front of the turret against APFSD rounds and 240mm additional protection against HEAT rounds, a laminate applique armor box providing an additional 210mm protection to the glacis against APFSD rounds and 180mm protection against HEAT rounds, and an additional 20mm armor steel protection to the front of the lower hull to better protect the driver from anti-tank mines. In addition, 10mm steel reinforced side skirts are installed to provide extra protection to the running gear and sides of the hull. The Czech equivalent of the Russian Volna fire control system utilizes the Kladivo laser range finder mounted externally above the main gun and a locally produced wind sensor mounted at the rear of the turret. Also included in the upgrade is the 1K13 fire control system capable of guiding the 100mm 9K116 Bastion guided missile. This missile is fired like a conventional round, with a rocket motor igniting 1.5 seconds later and lasting 6 seconds. This system can penetrate up to 100cm homogenous steel armor and has an effective range of up to 4km against moving targets. 6 of these missiles are stored inside the tank, along with the standard load of conventional 100mm ammunition.

03.02.2057

READ BEFORE ASSEMBLY

CAUTION

- Read carefully and fully understand the instructions before commencing assembly. A supervising adult should also read the instructions if a child assembles the model.
- When assembling this kit, tools including knives used. Extra care should be taken to avoid personal injury.
- Keep out of reach of small children. Children must not be allowed to suck any part, or pull vinyl bag over their heads.



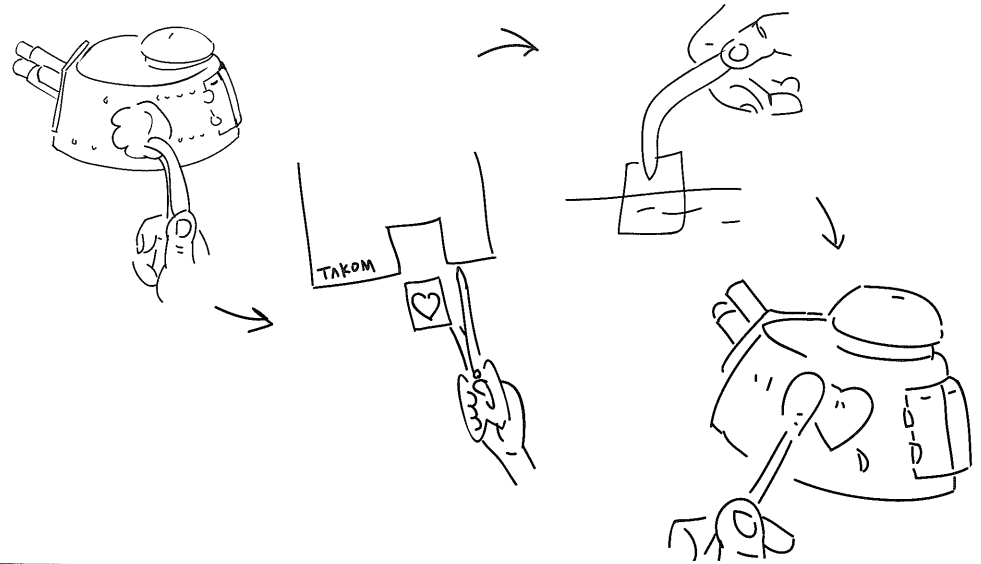
PAINTS REQUIRED

Color info and profiles by Mig Jimenez

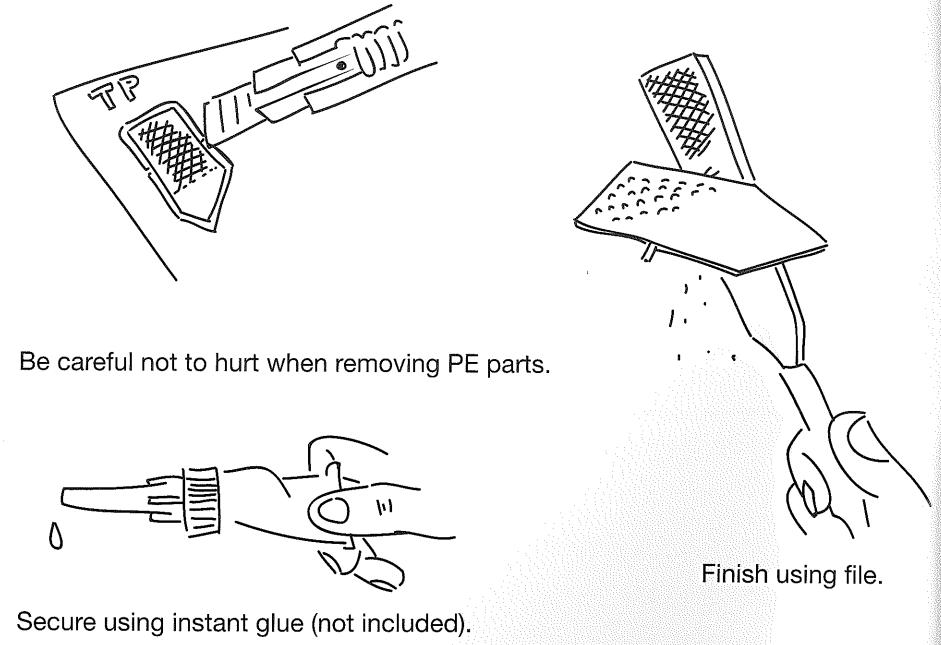
A.MIG 033	Rubber & Tires	A.MIG 038	Dark Tracks	A.MIG 045	Gun Metal	A.MIG 071	Khaki
A.MIG 094	Crystal Glass	A.MIG 095	Crystal Smoke	A.MIG 185	Silver	A.MIG 049	Matt Black
A.MIG 057	Yellow Grey	A.MIG 078	Ochre Earth	A.MIG 092	Russian Base	A.MIG 068	Russian Postwar Green KHV 518

APPLYING DECALS

1. Clean the model surface with a wet cloth.
2. Cut out each decal design from sheet, and dip it in tepid water for 15~20 sec.
3. Hold the backing sheet edge and slide decal onto the model.
4. Move decal into position by wetting decal with finger.
5. Press decal gently down with a soft cloth until excess water and air bubbles are gone.



REMOVING PE

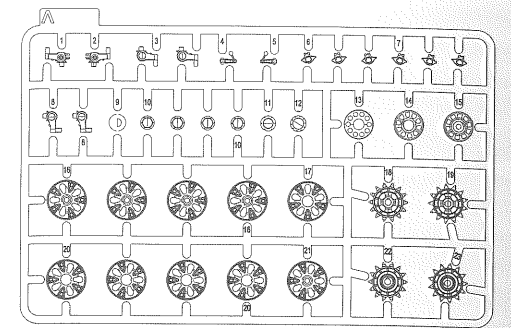


Be careful not to hurt when removing PE parts.

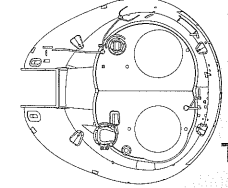
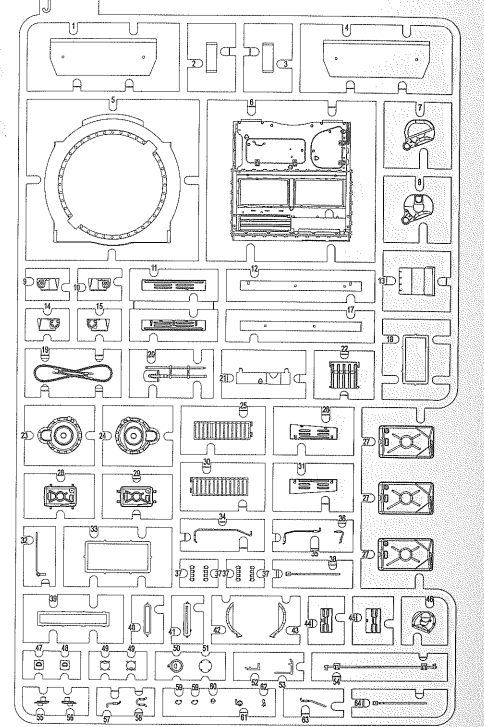
Secure using instant glue (not included).

Finish using file.

PARTS



X2



Turret

REQUIRED

enez

un Metal A.MIG 071 Khaki

ver A.MIG 046 Matt Black

ssion Base A.MIG 083 Russian Postwar Green KHV 518

PE

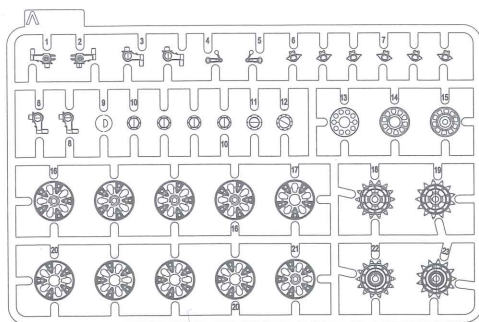
ing PE parts.



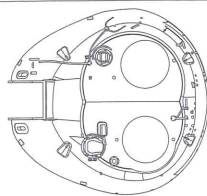
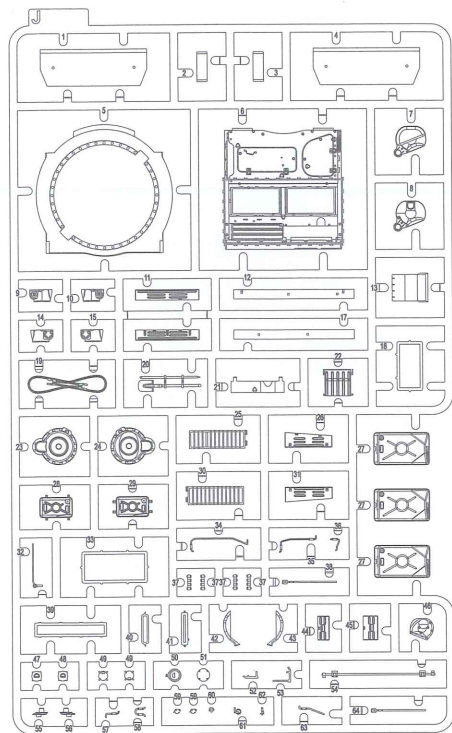
Finish using file.

ded).

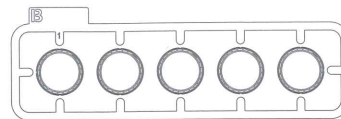
PARTS



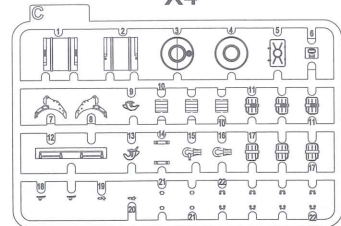
X2



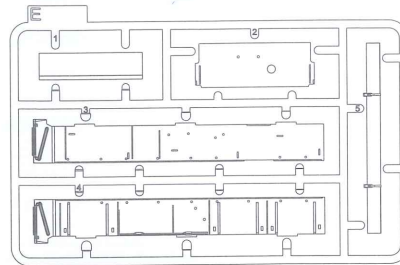
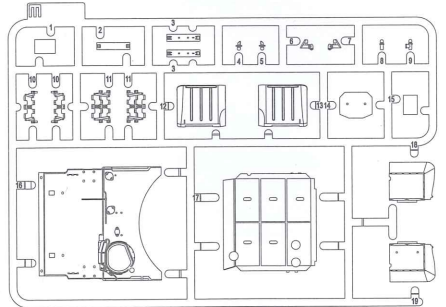
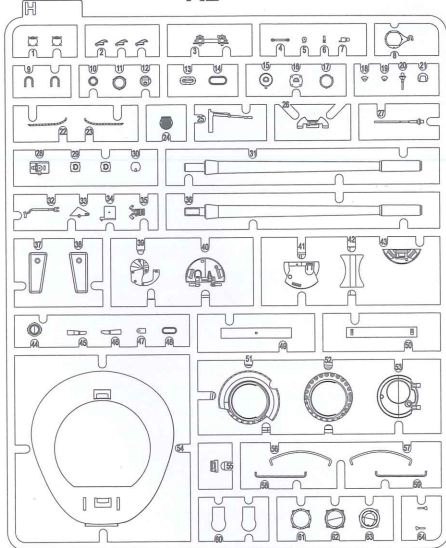
Turret



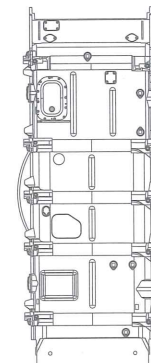
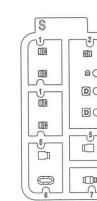
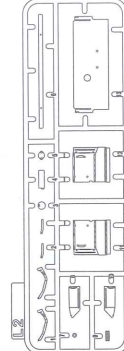
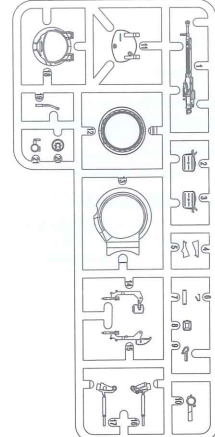
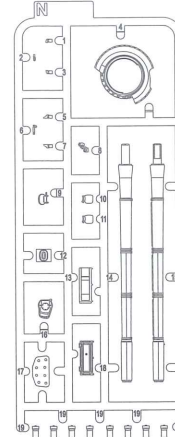
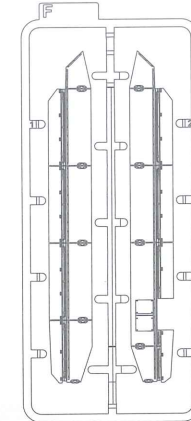
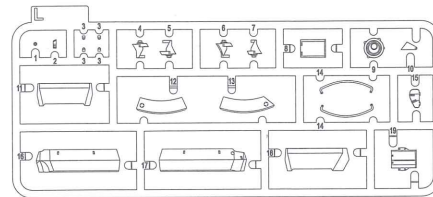
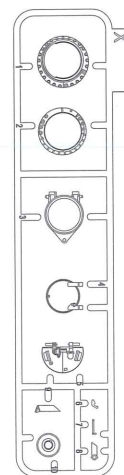
X4



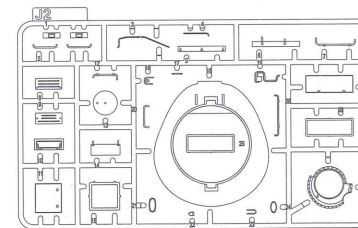
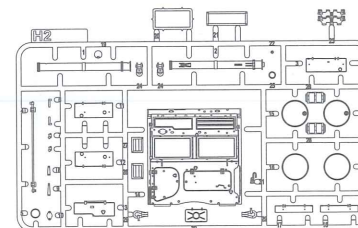
X2



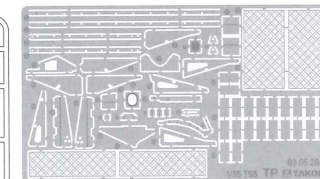
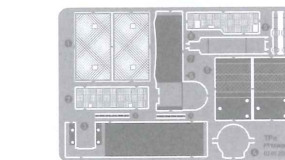
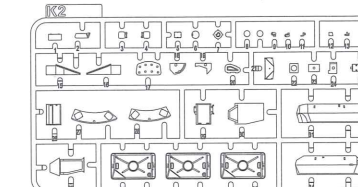
X184



Lower Hull



Cable X2



TP

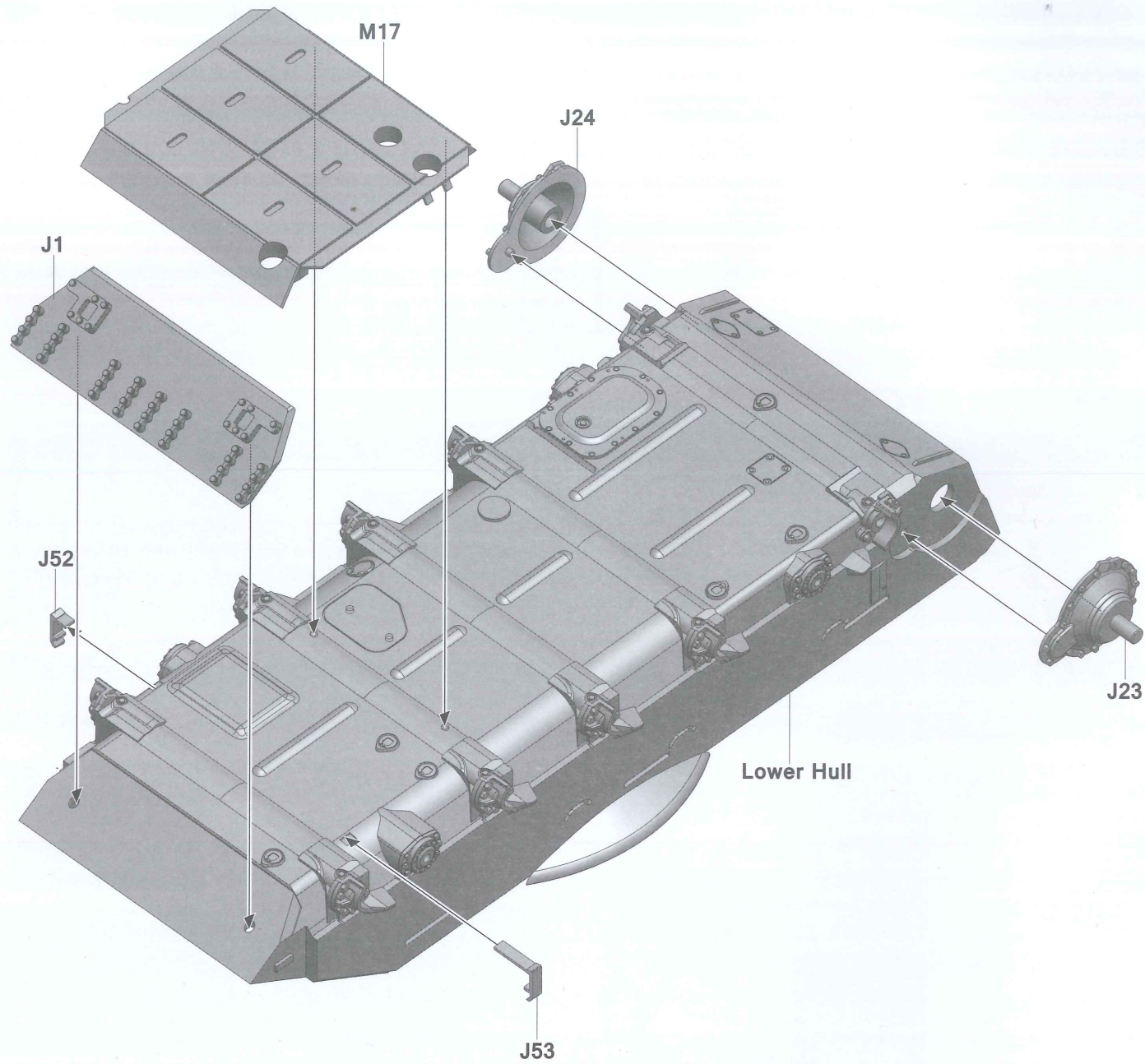


Decal

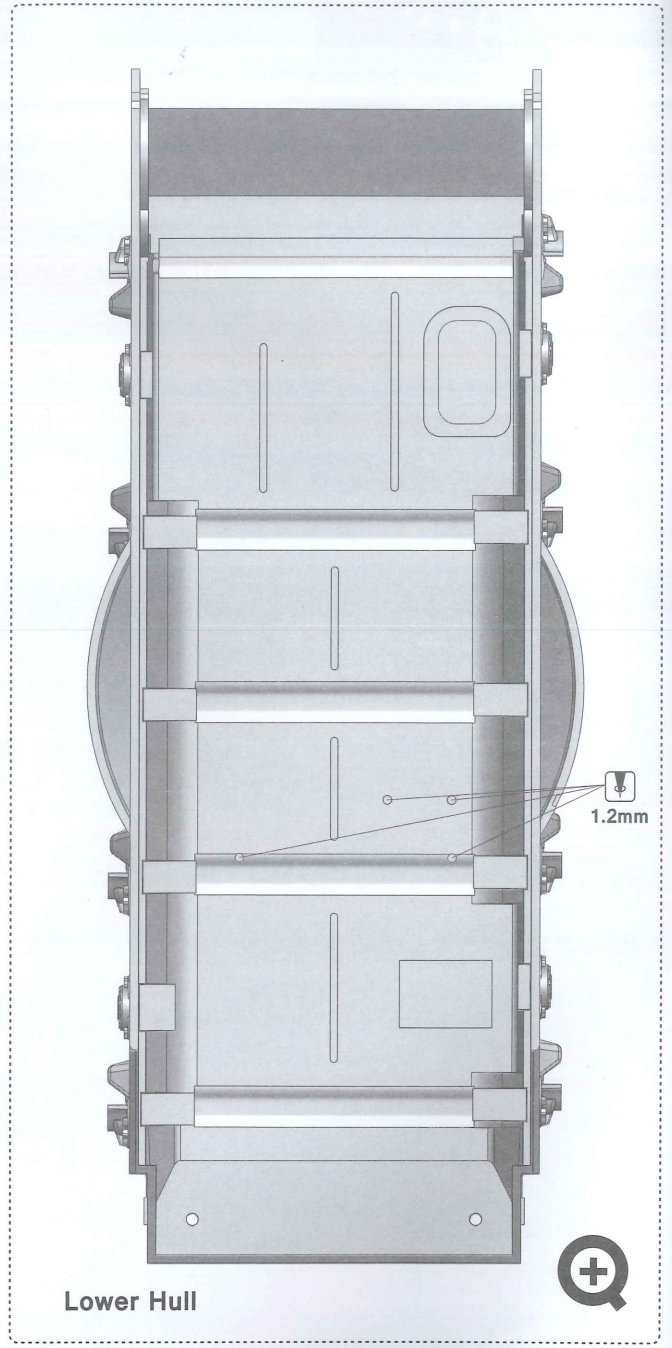


Dust Cover

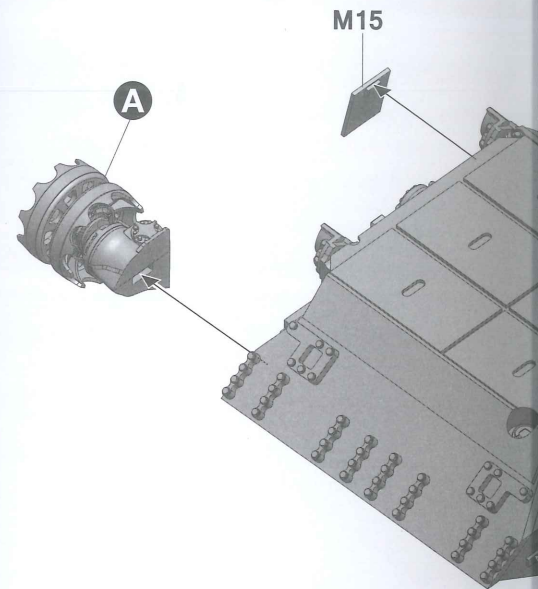
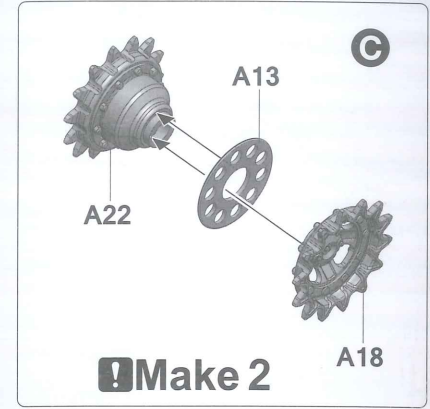
1



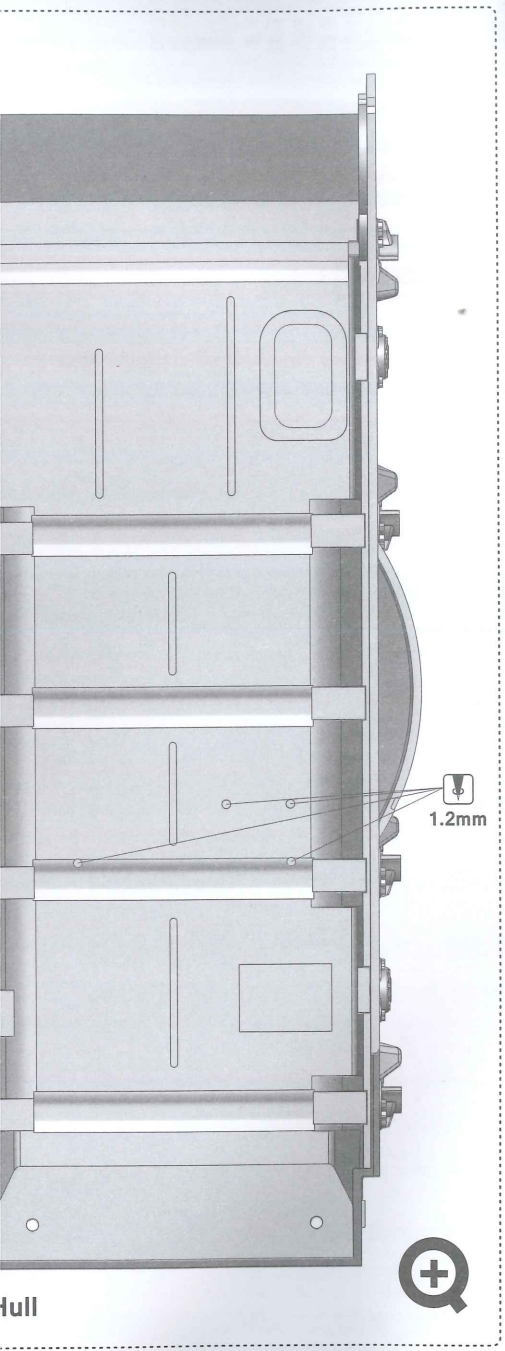
3



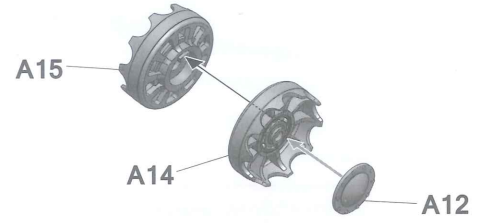
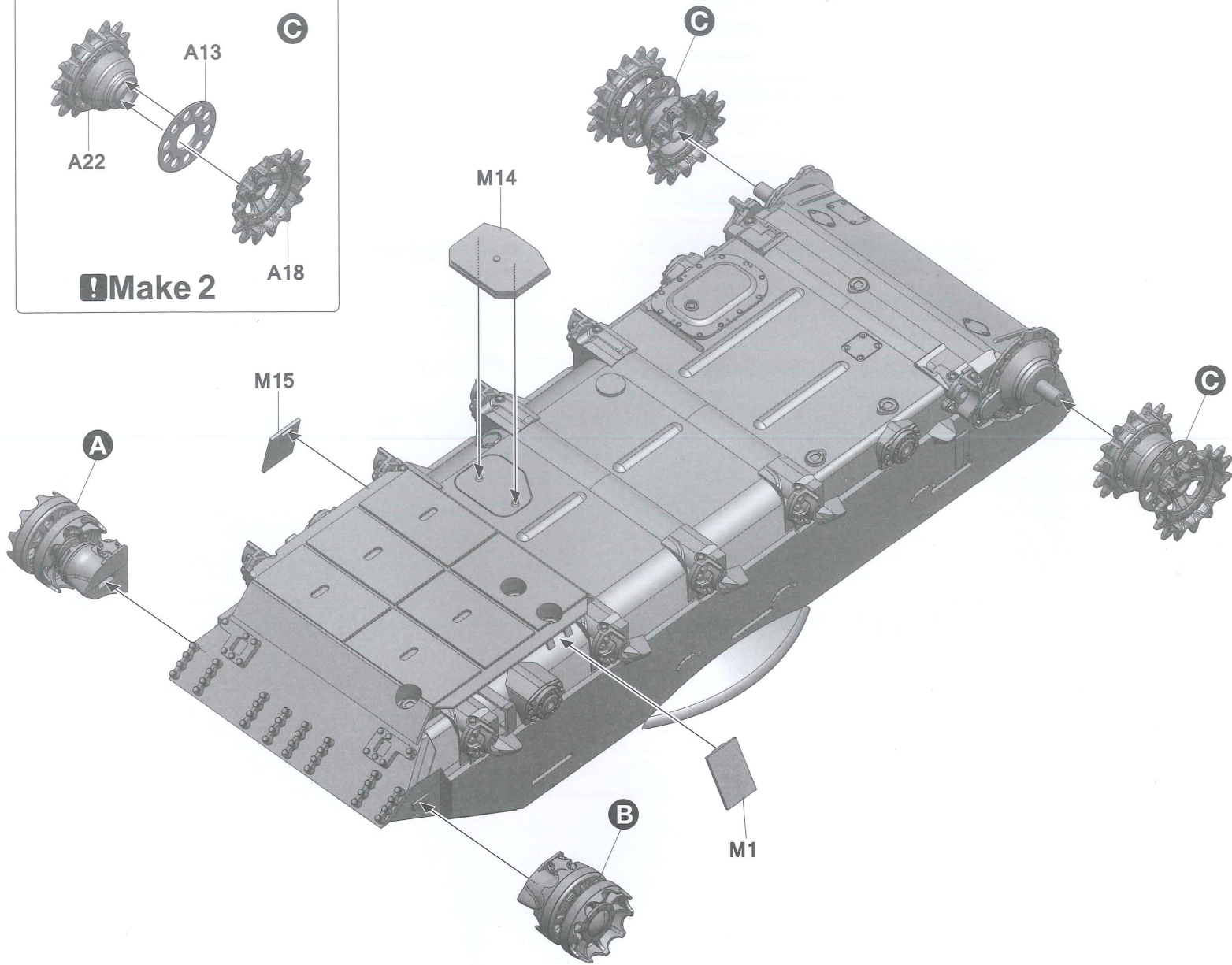
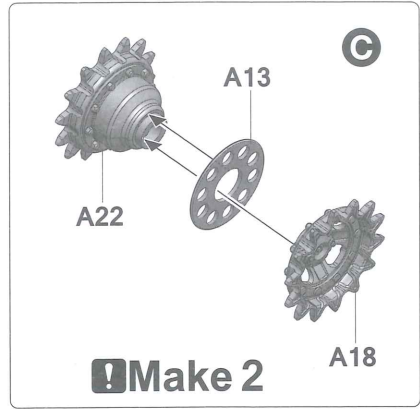
2



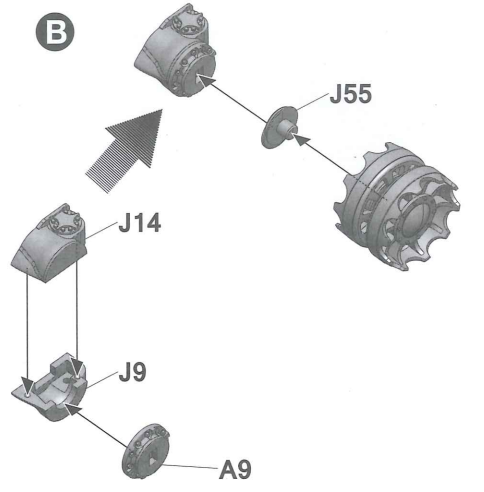
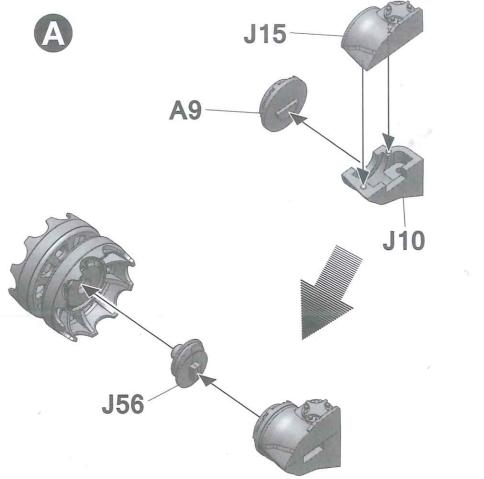
+

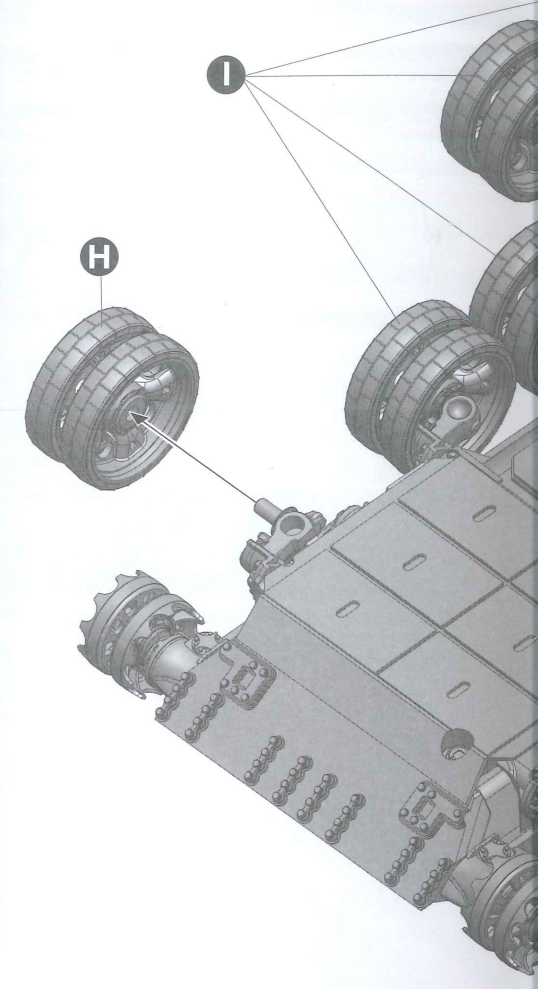
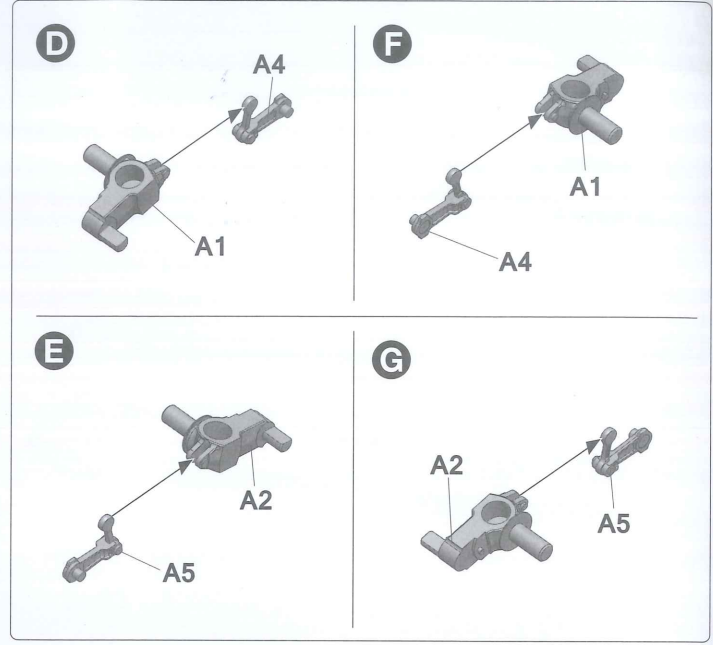
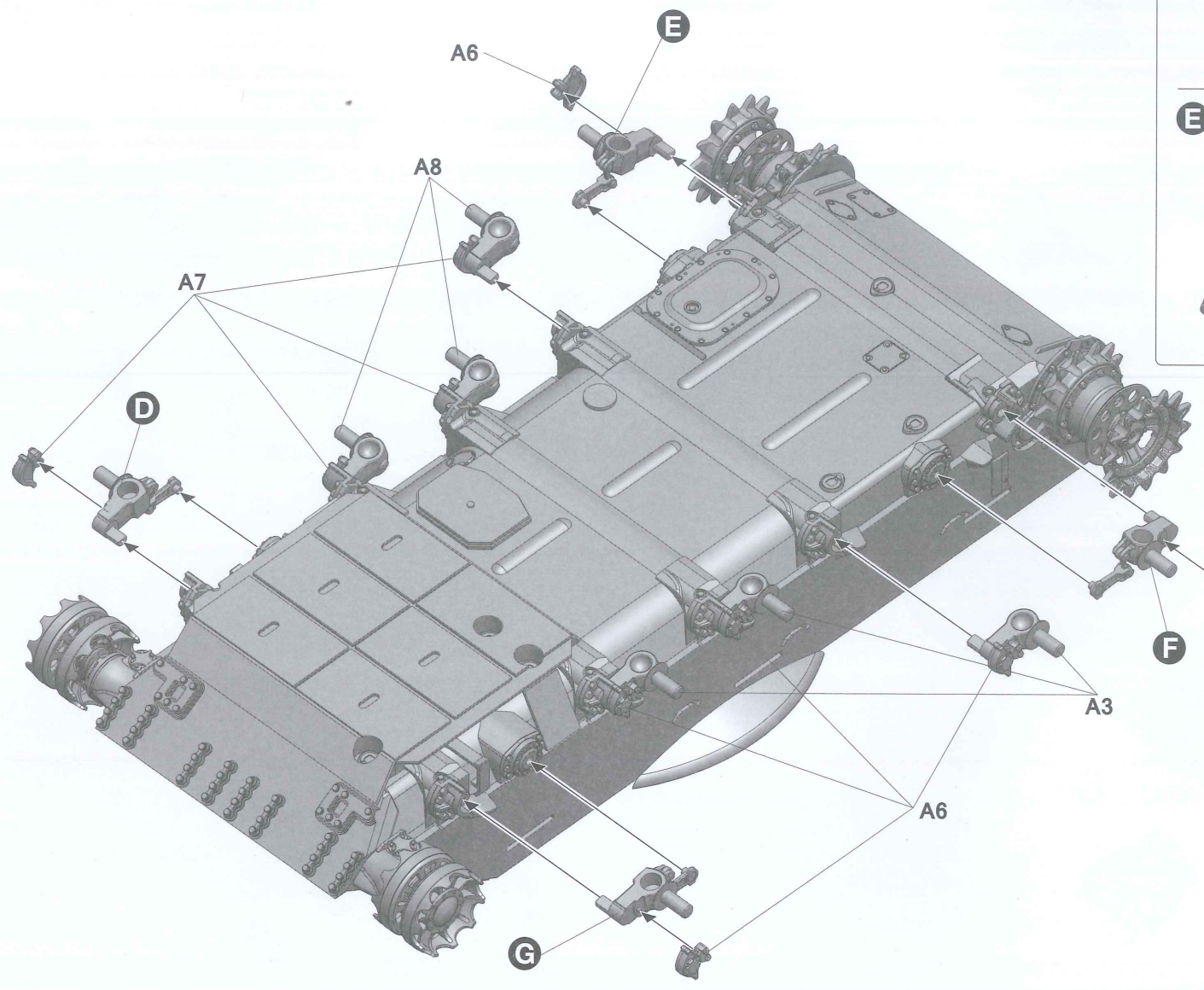


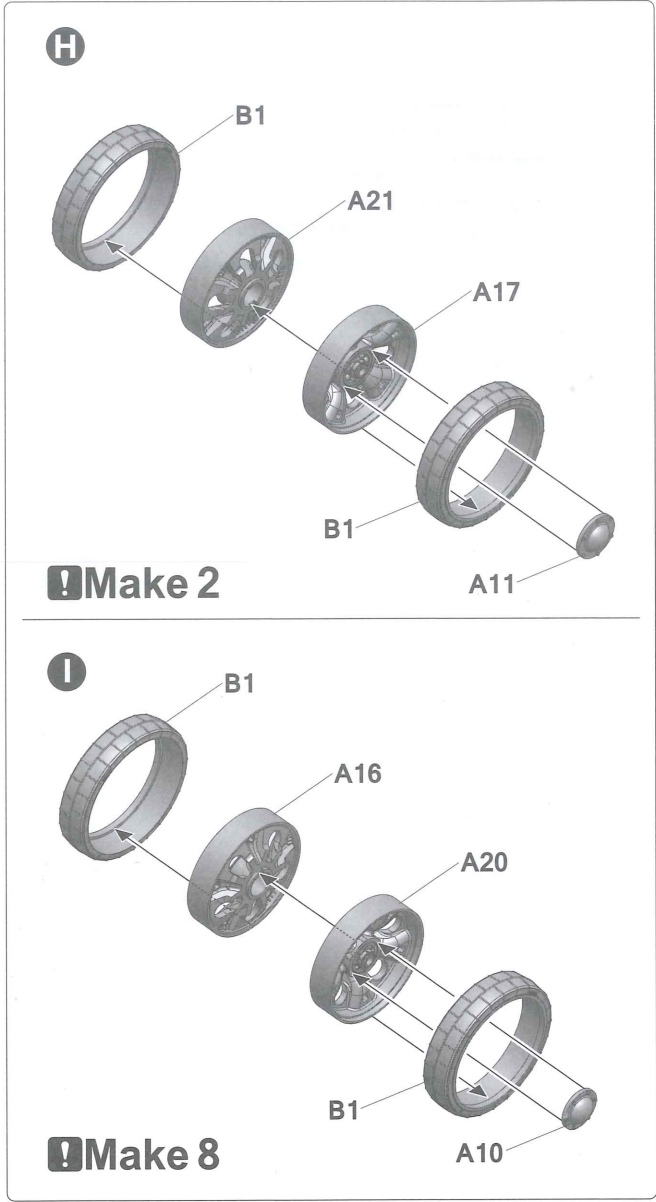
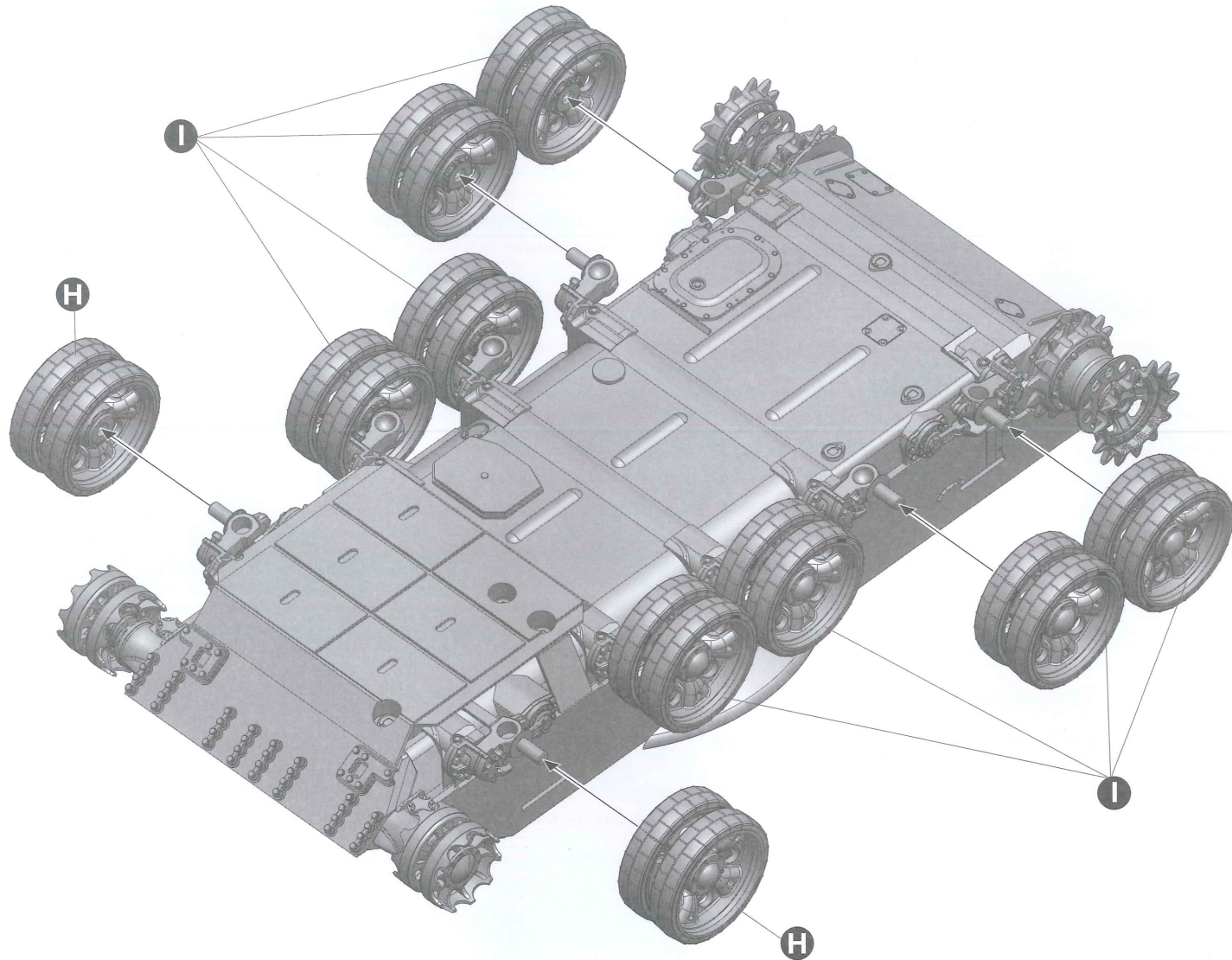
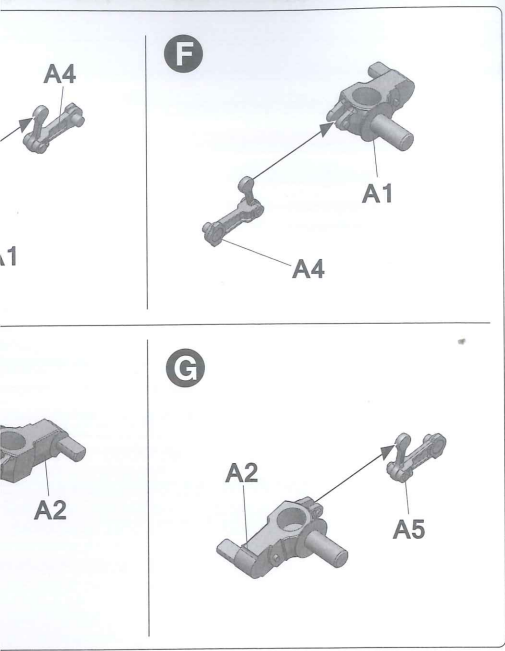
2

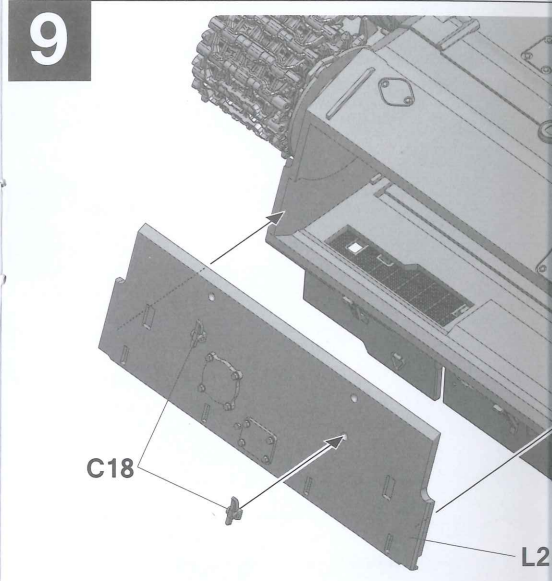
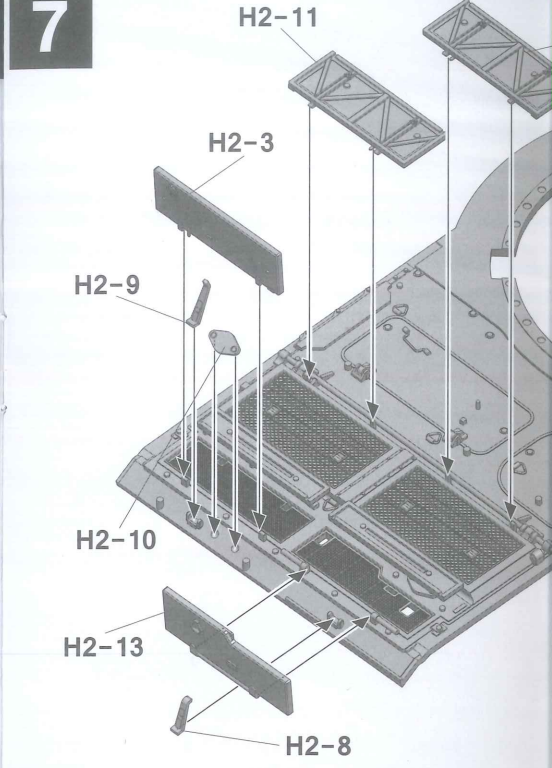
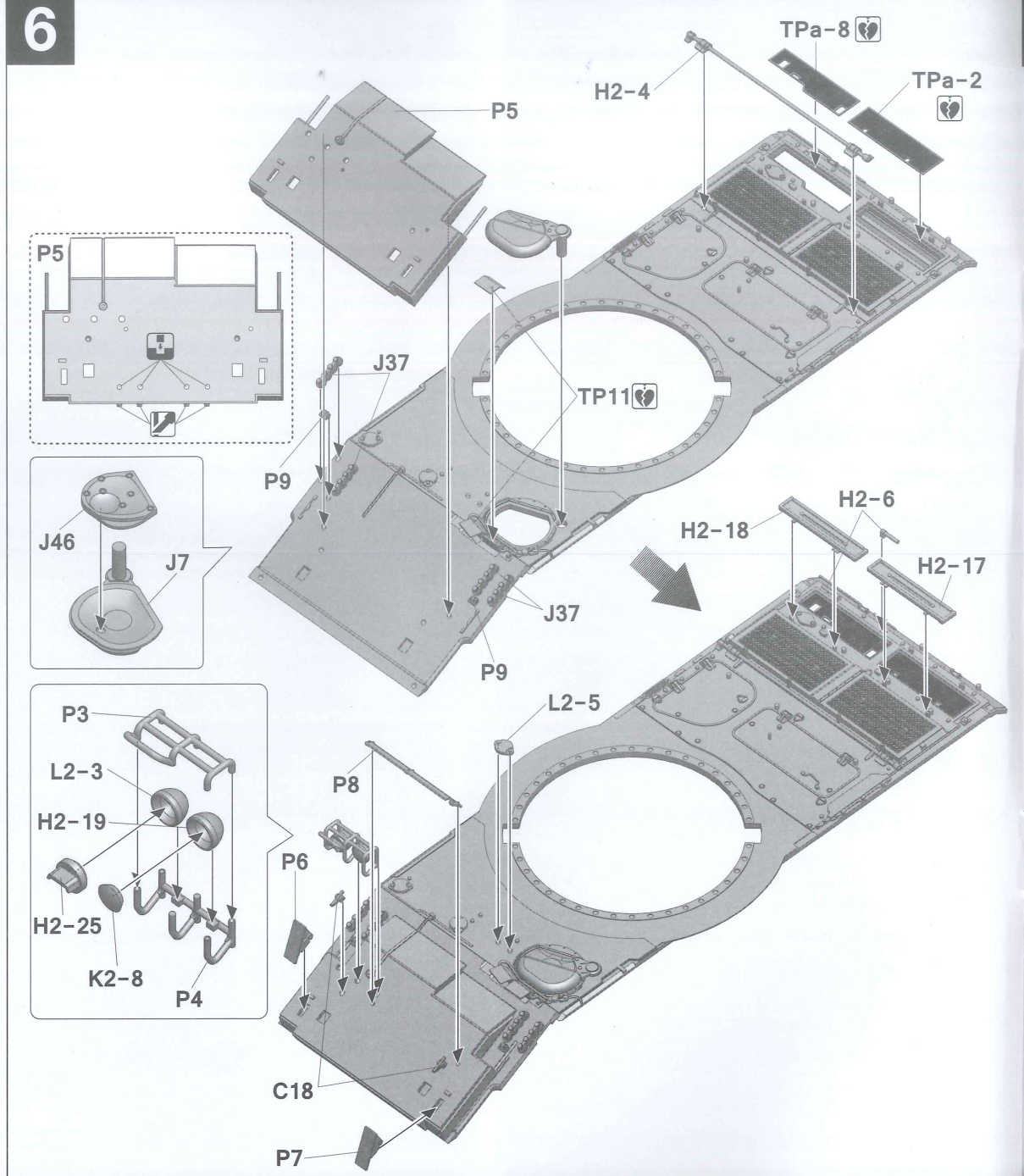
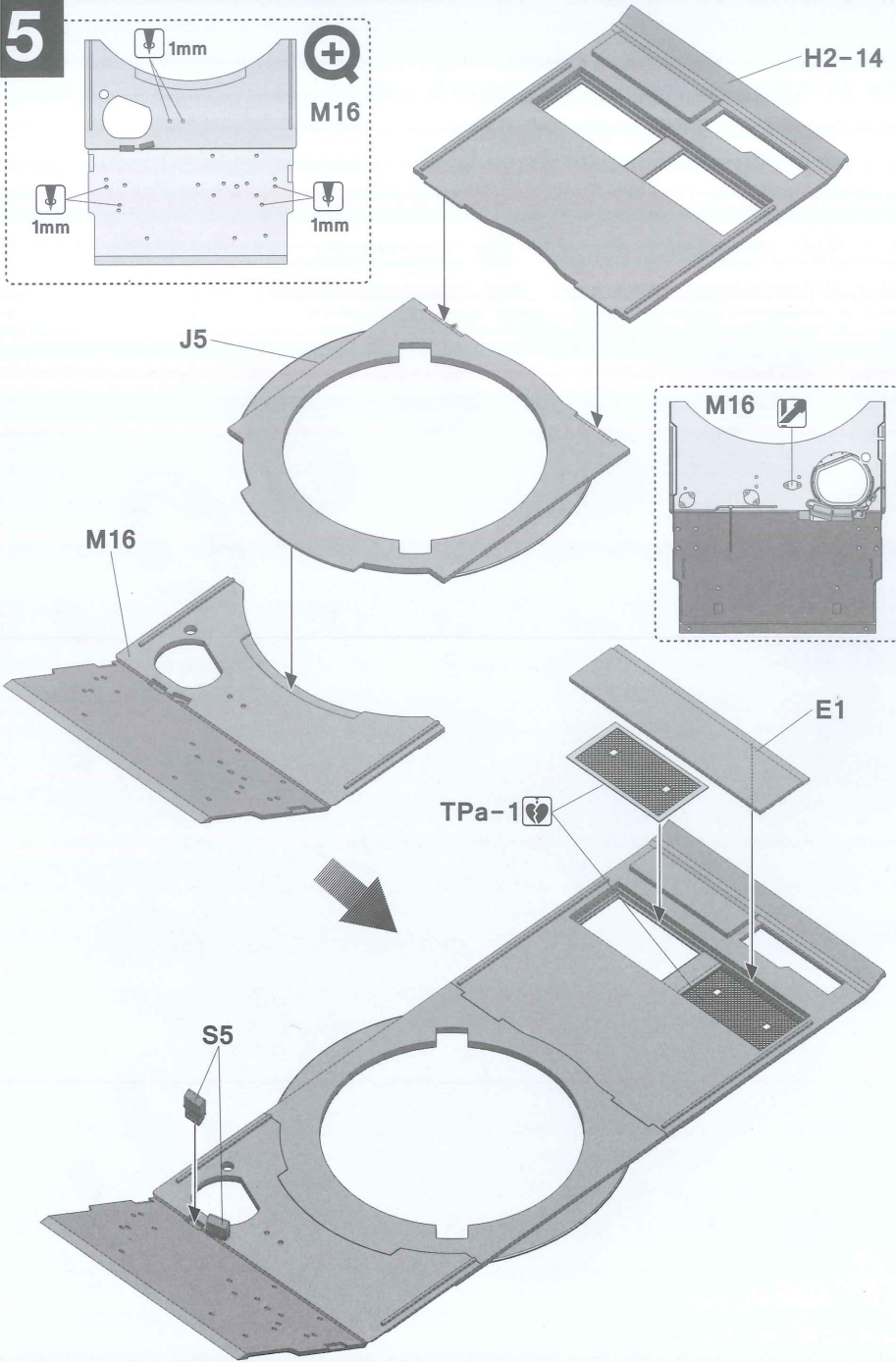


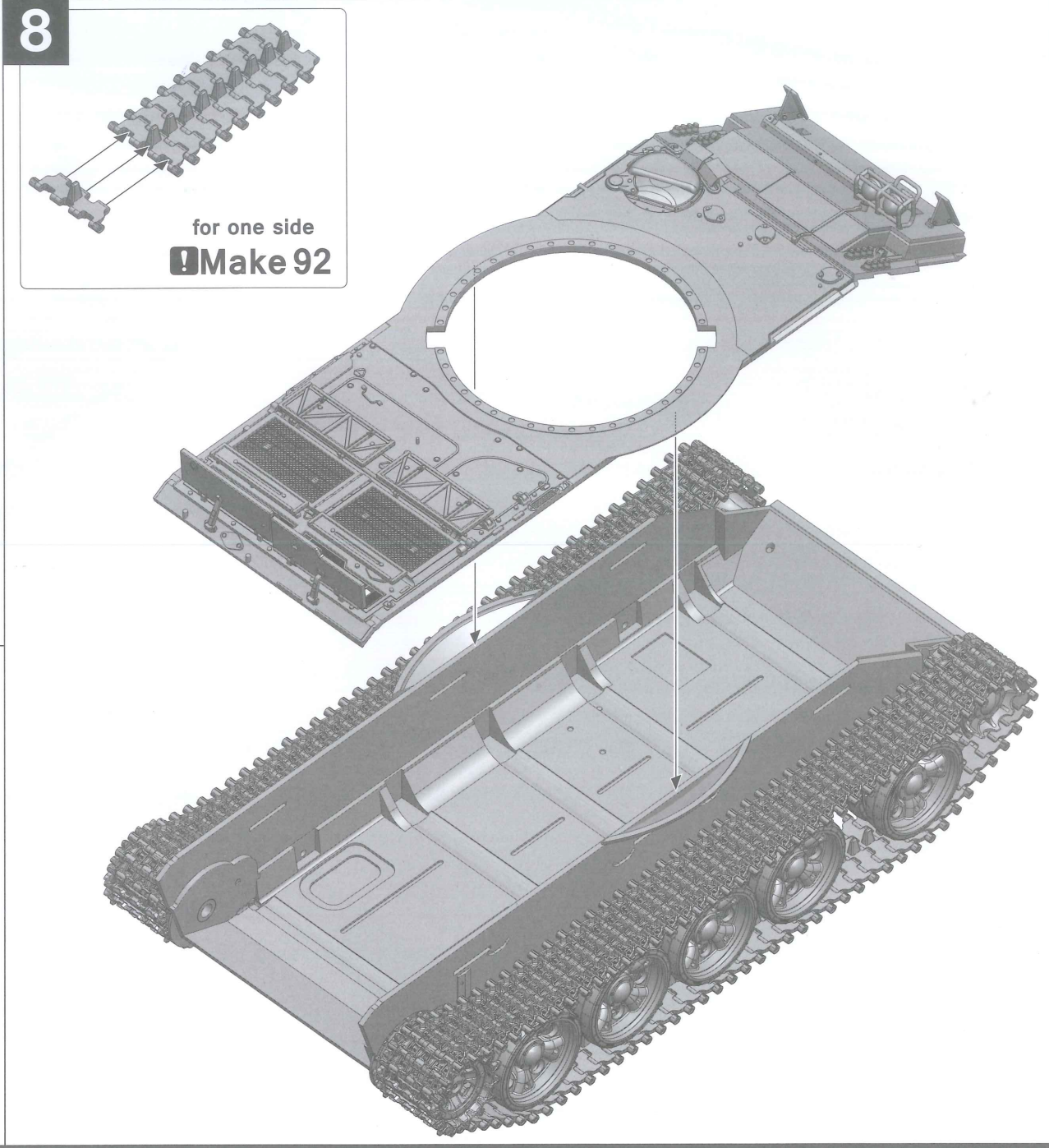
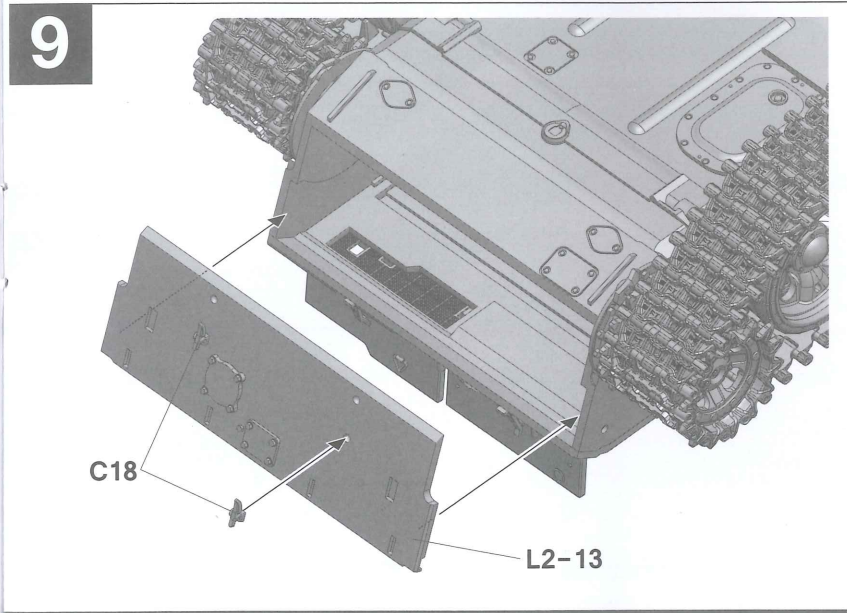
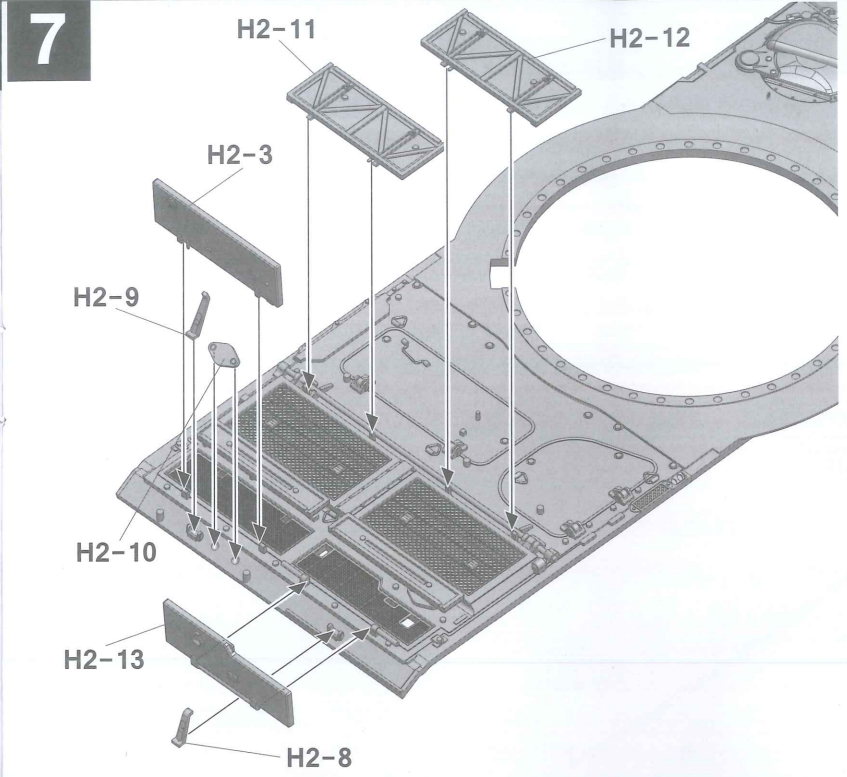
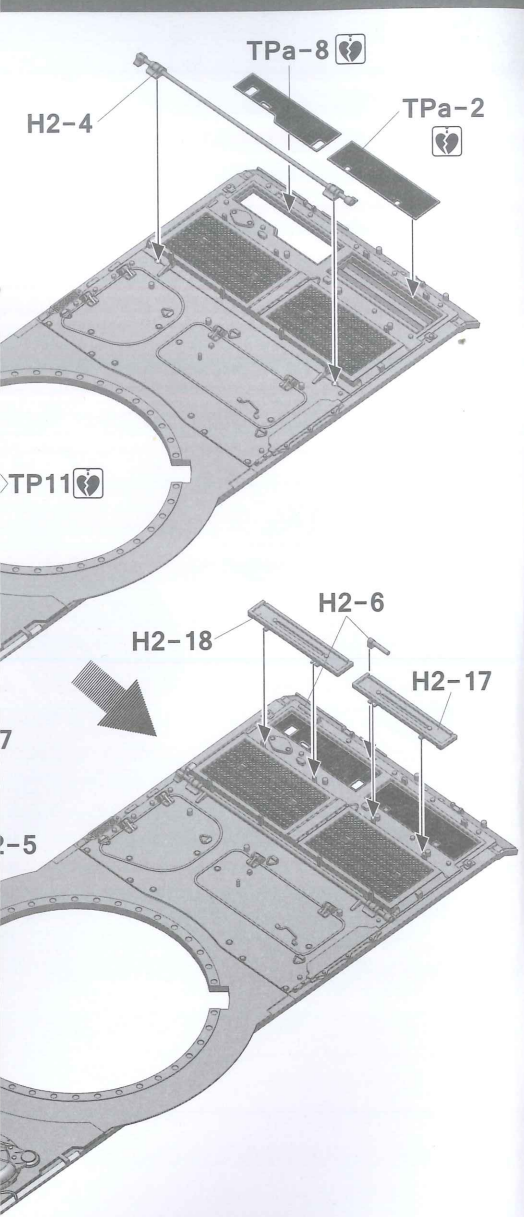
Make 2



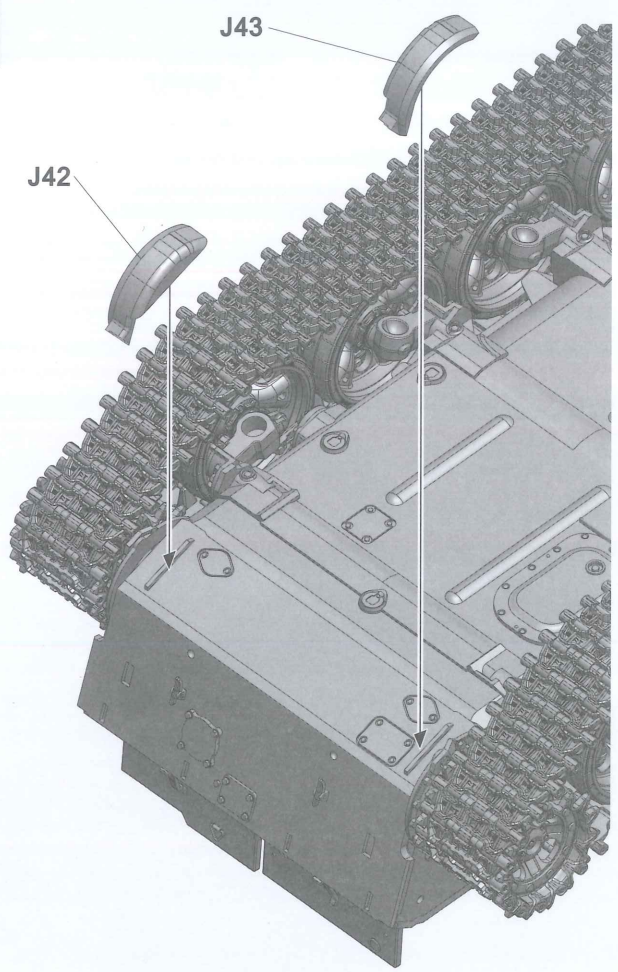




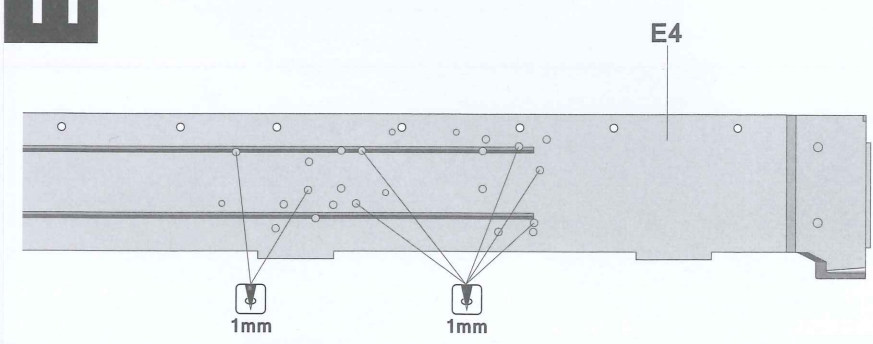




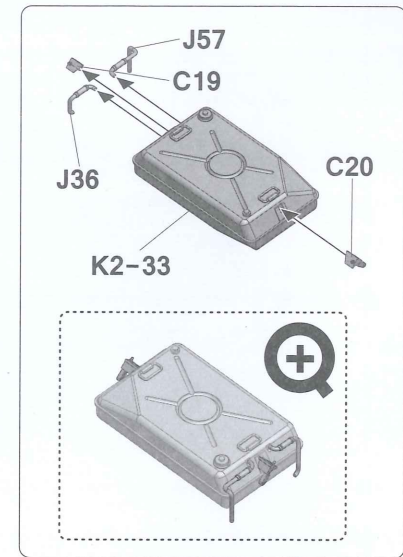
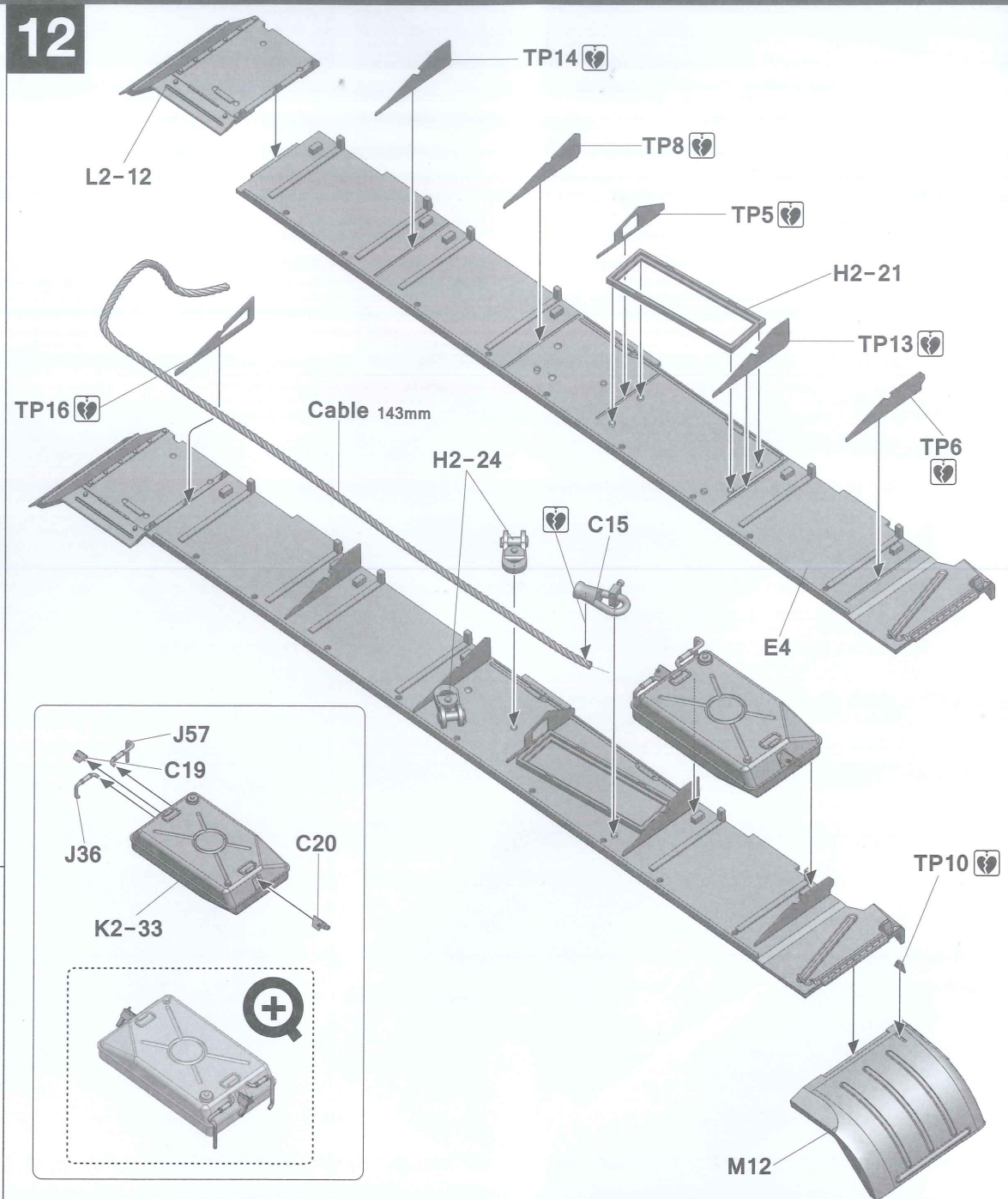
10



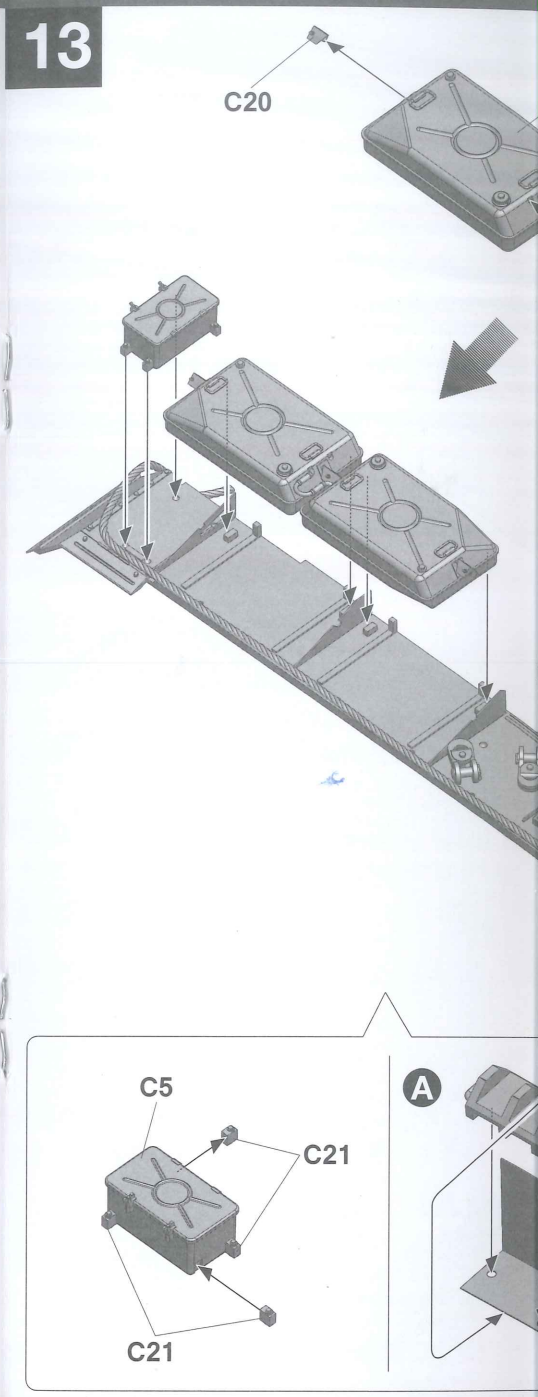
11



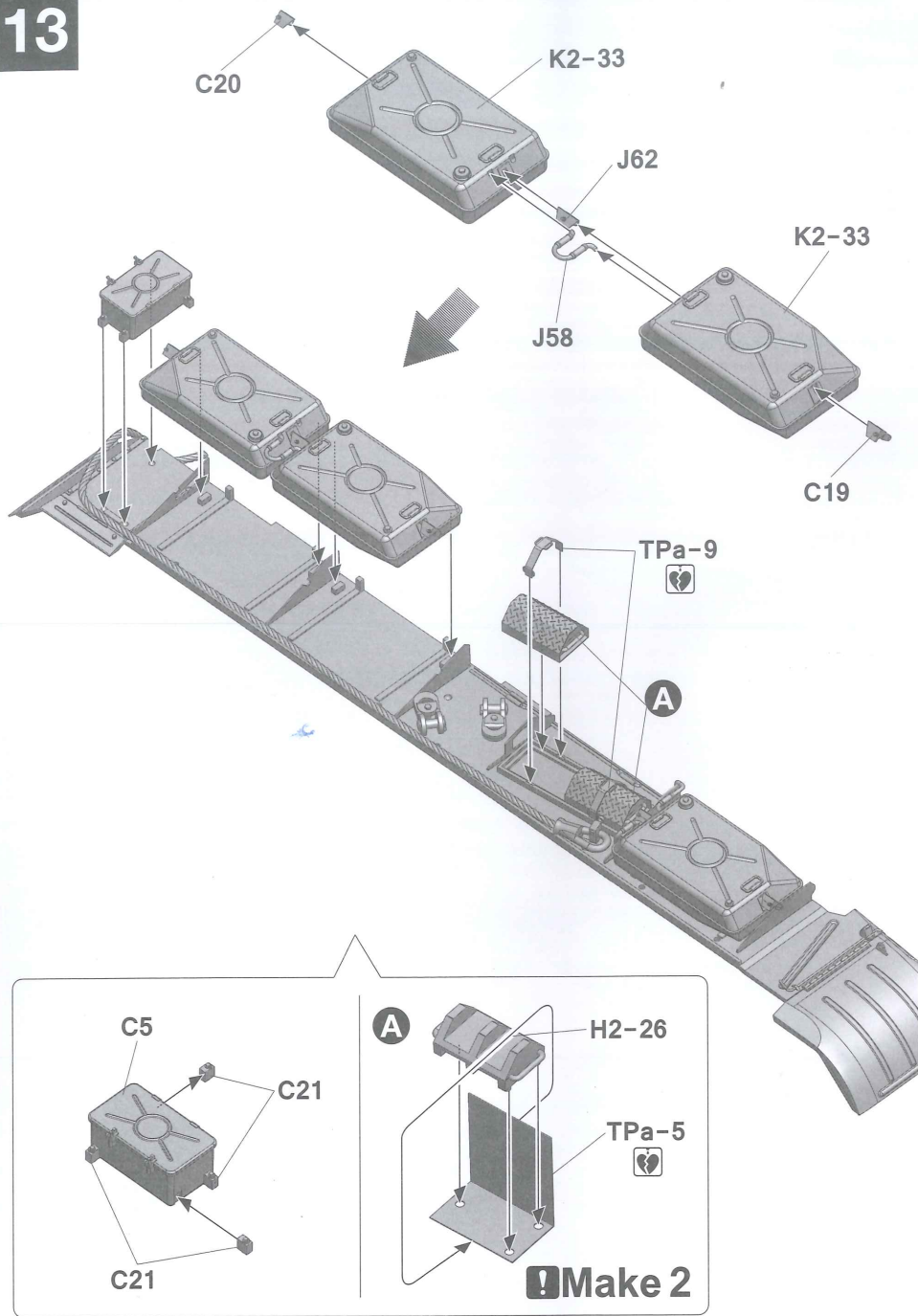
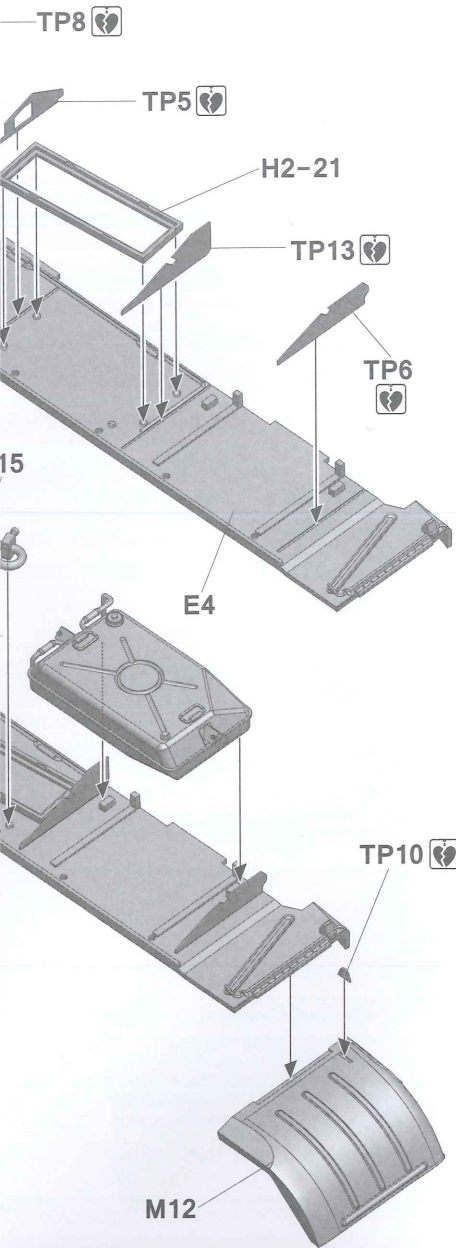
12



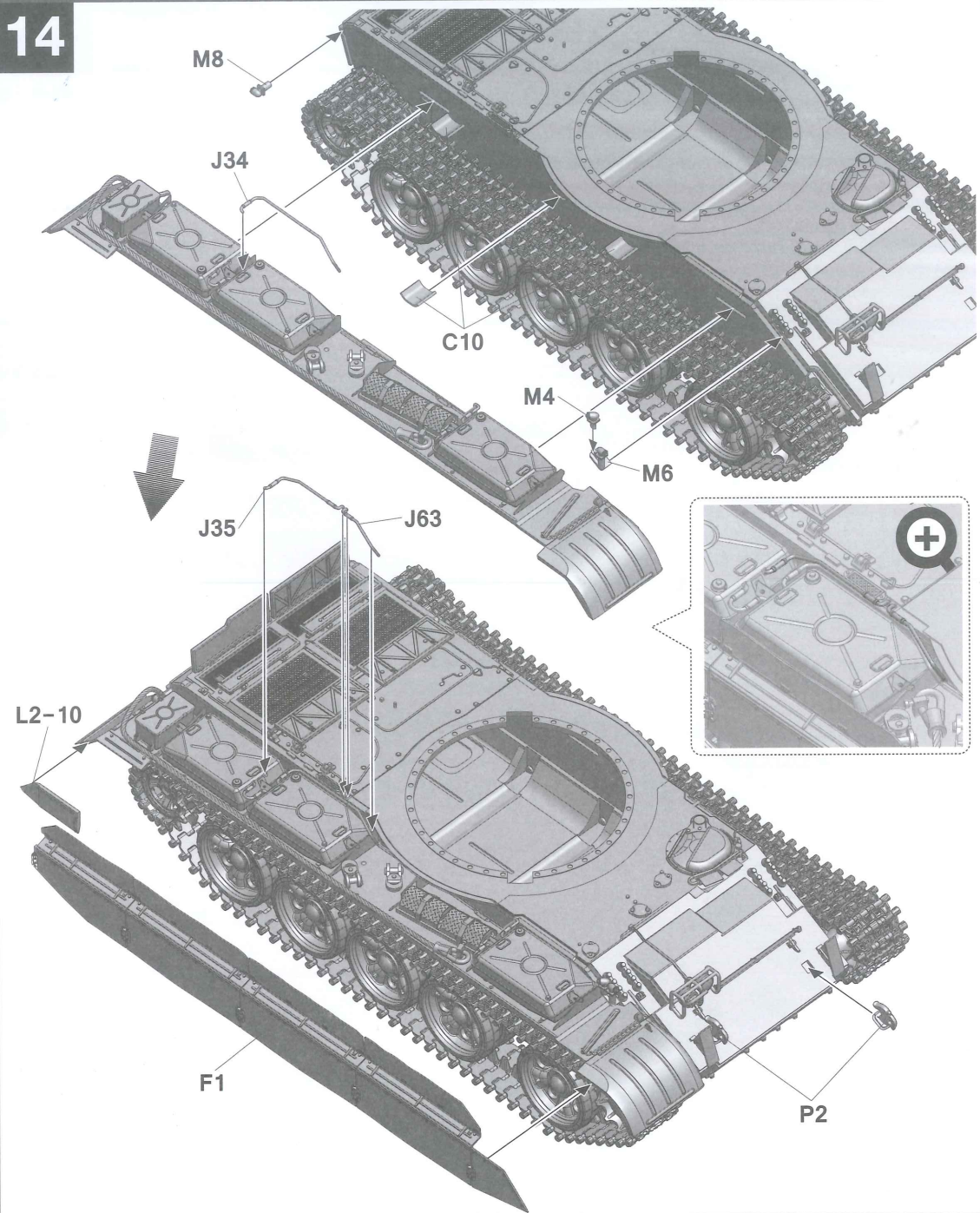
13



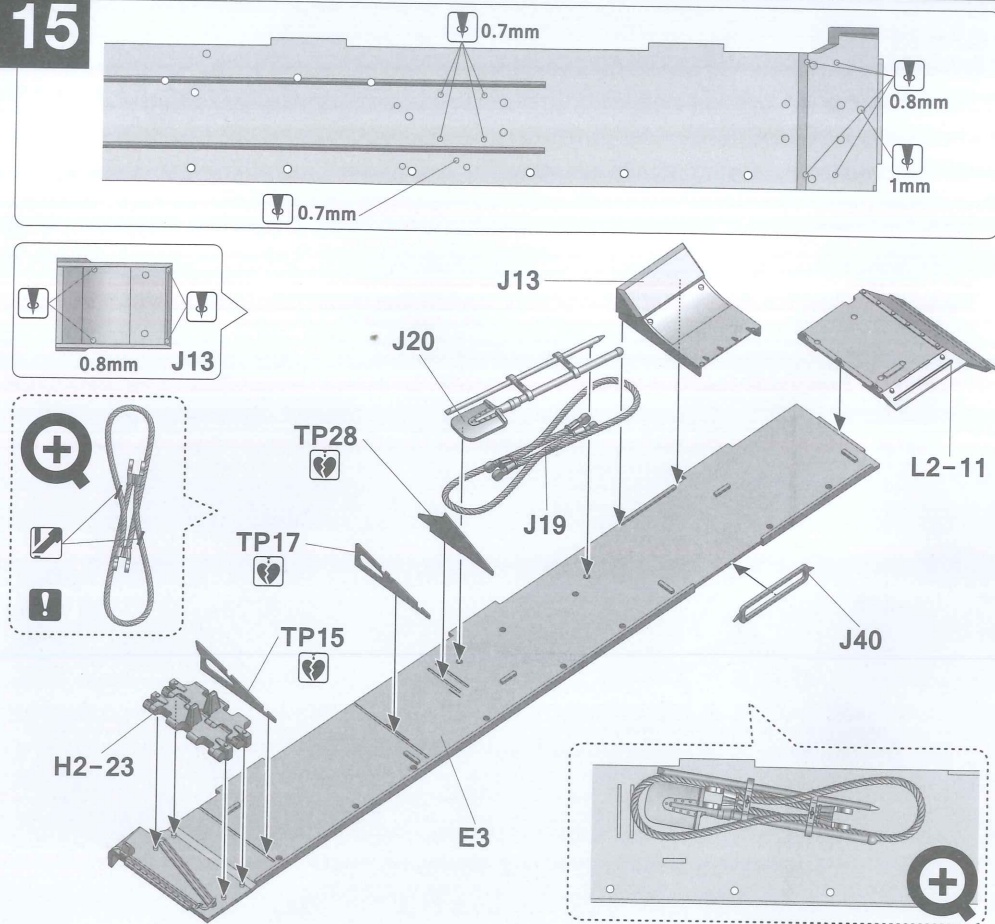
13



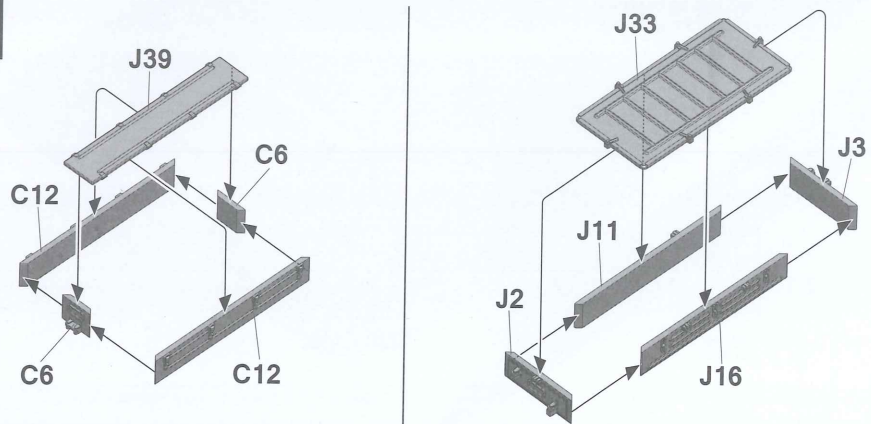
14



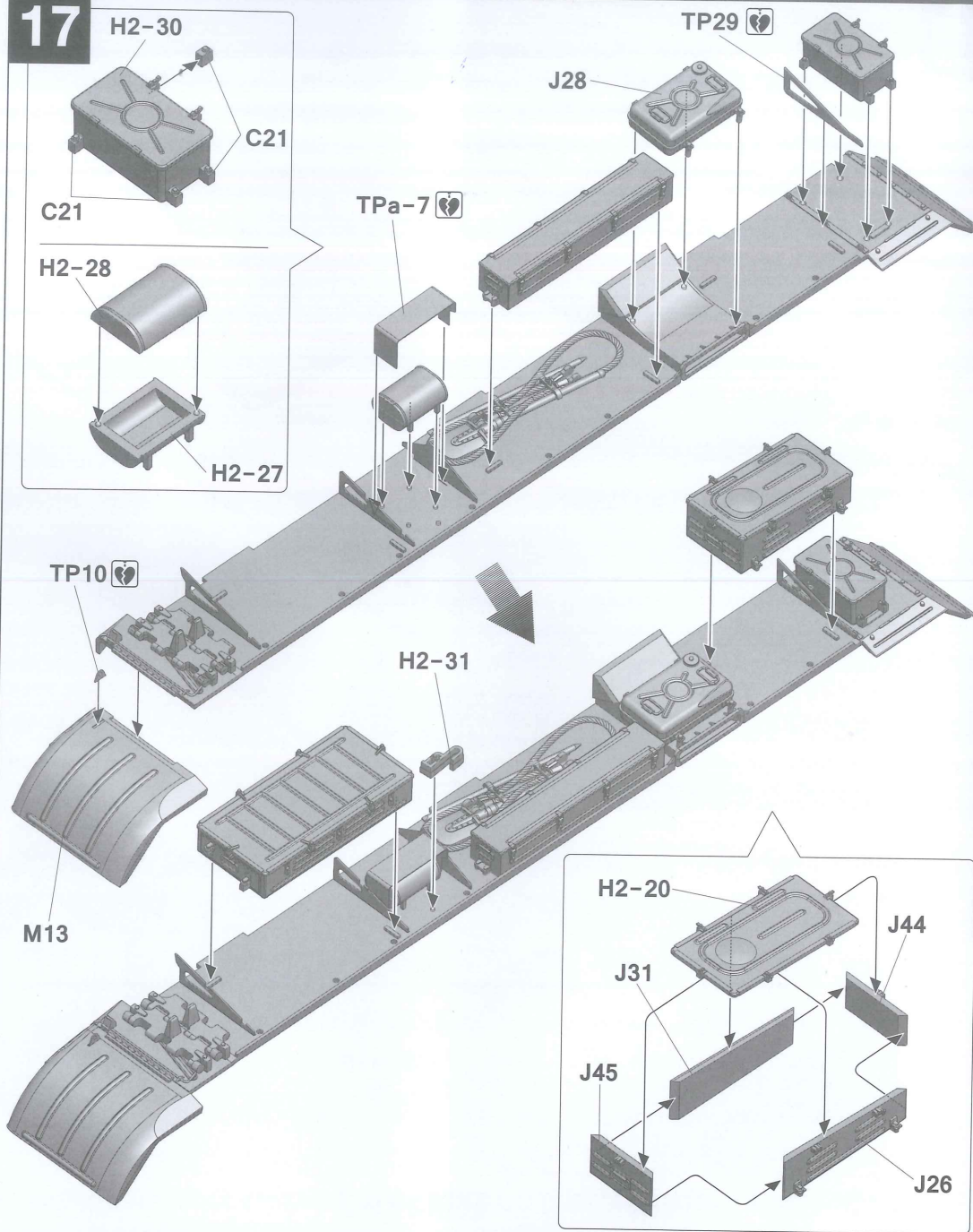
15



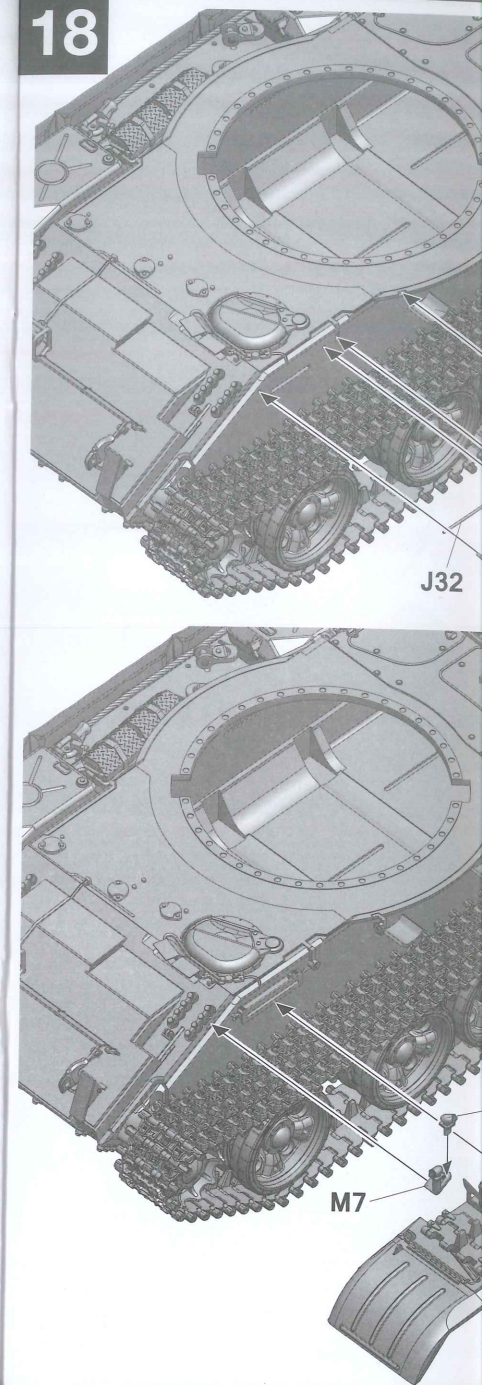
16

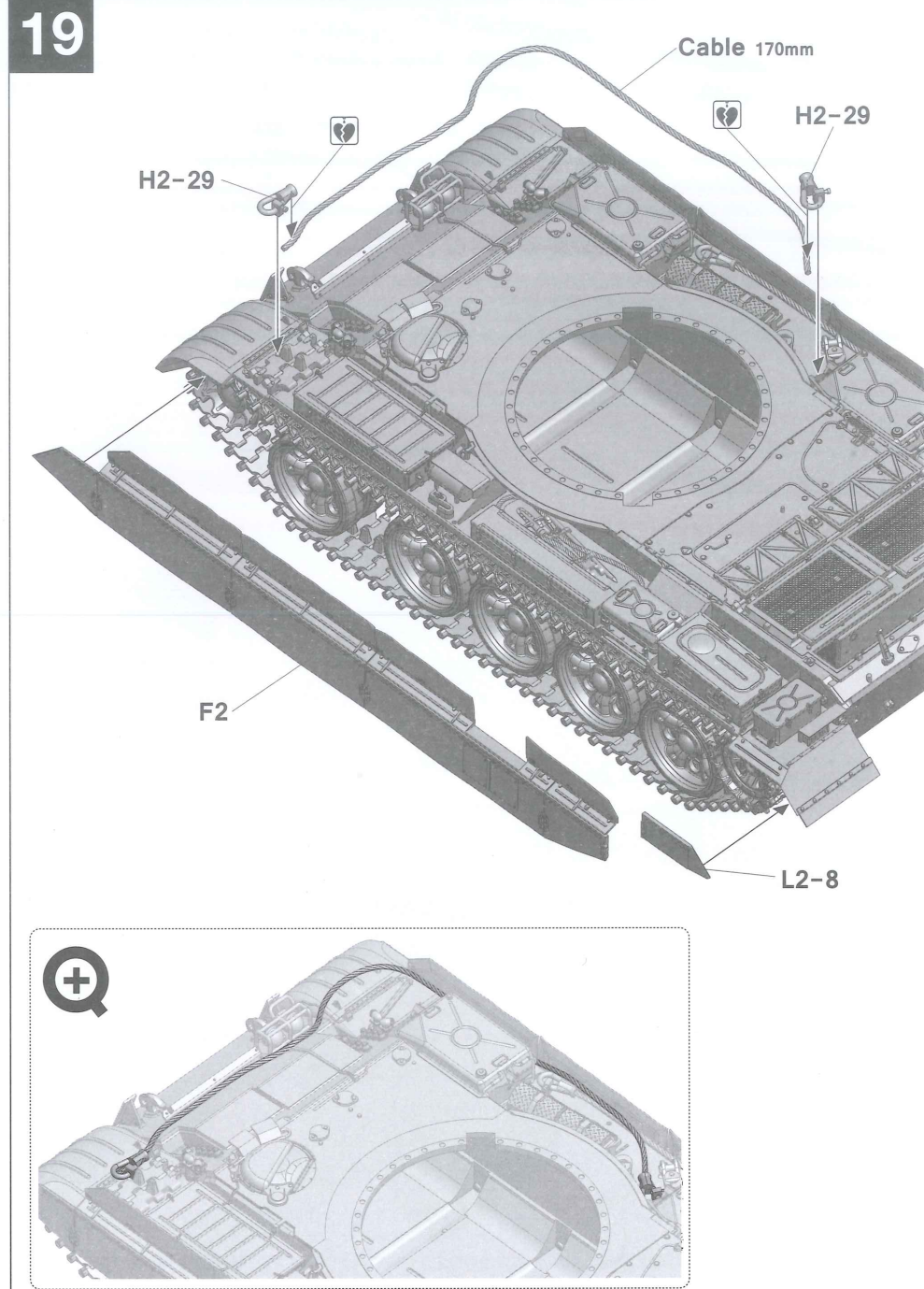
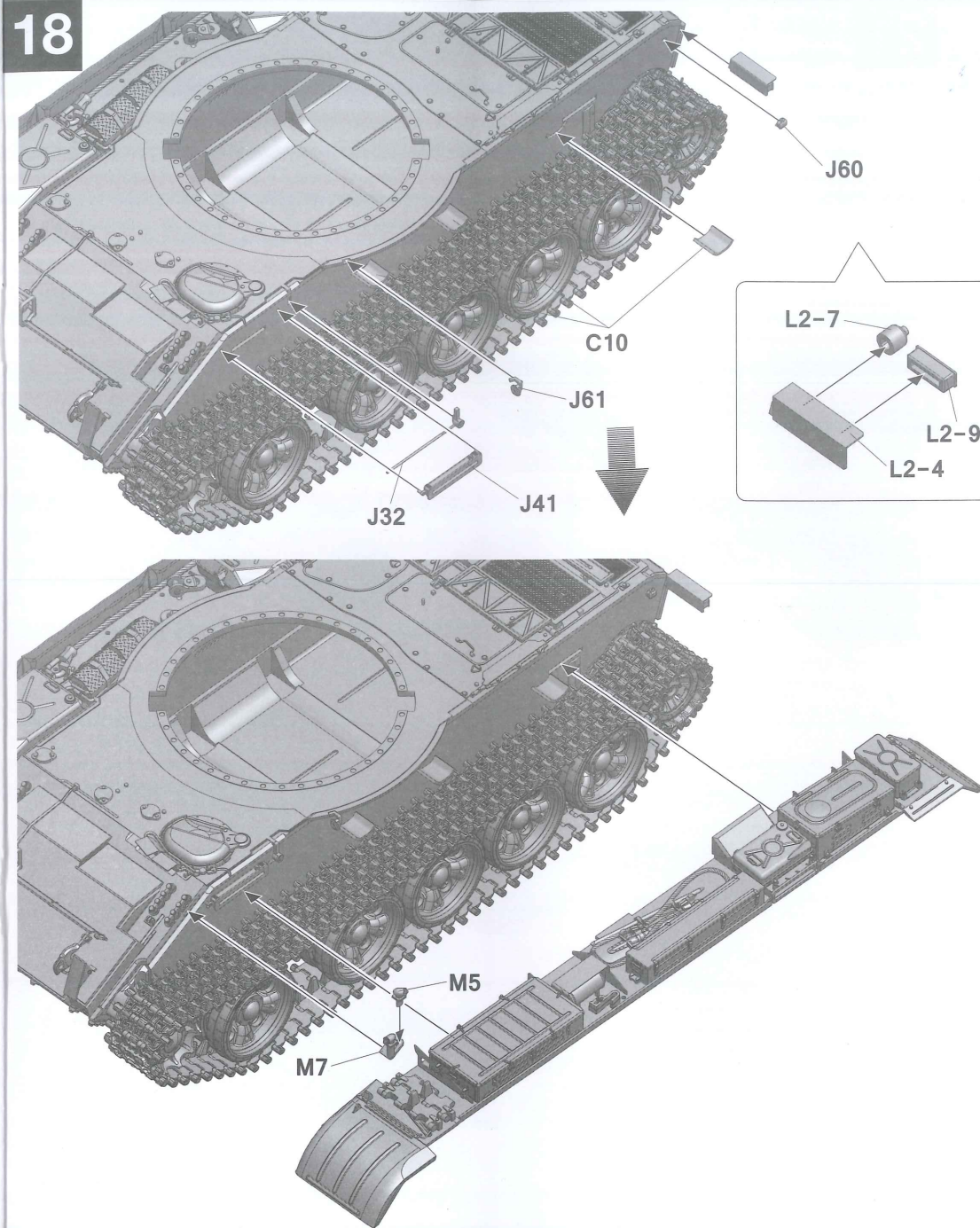
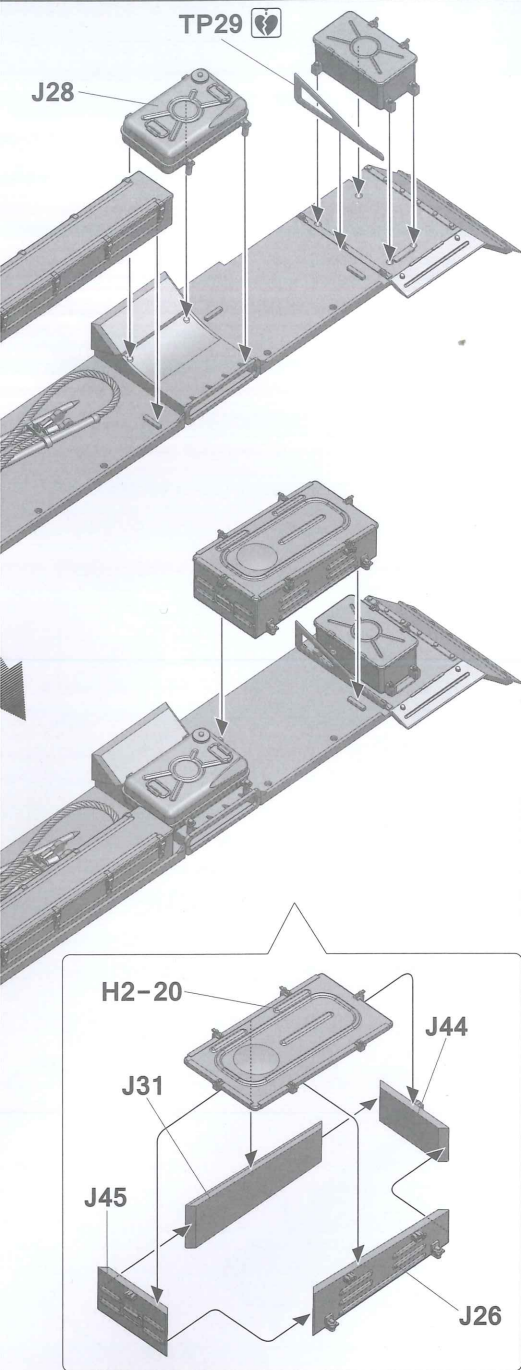


17

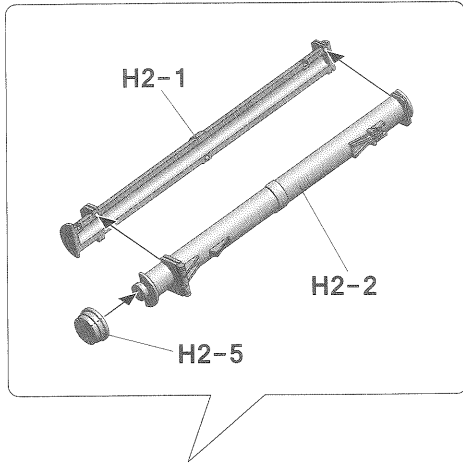
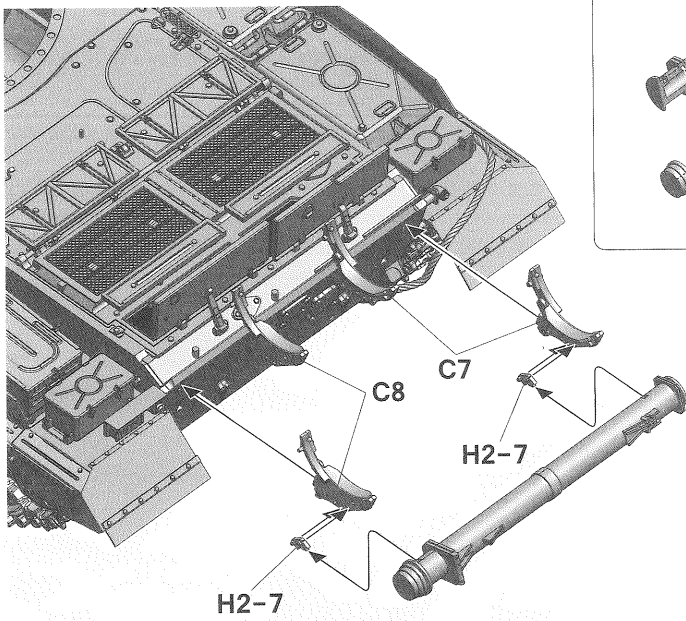


18

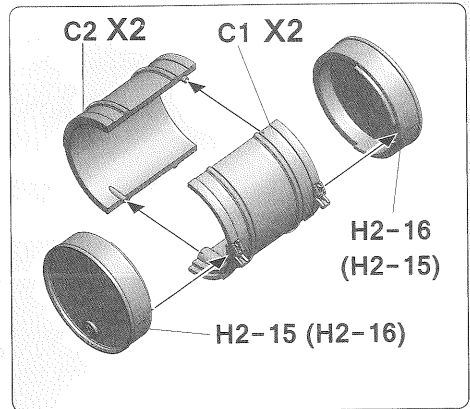
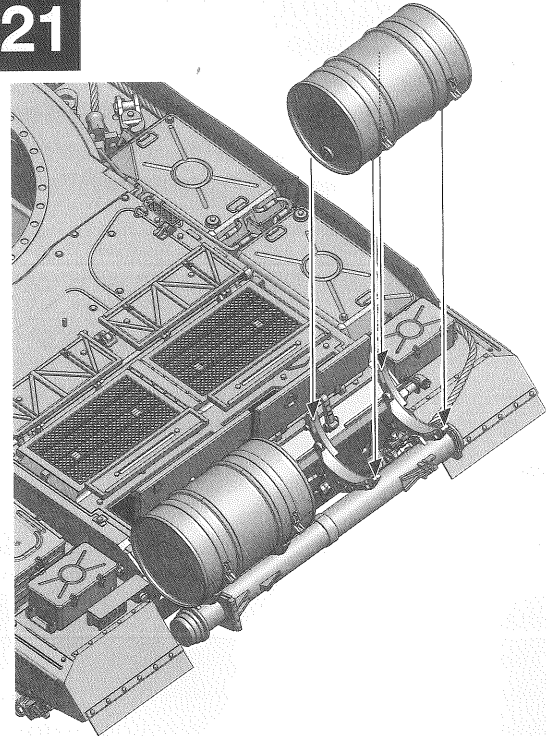




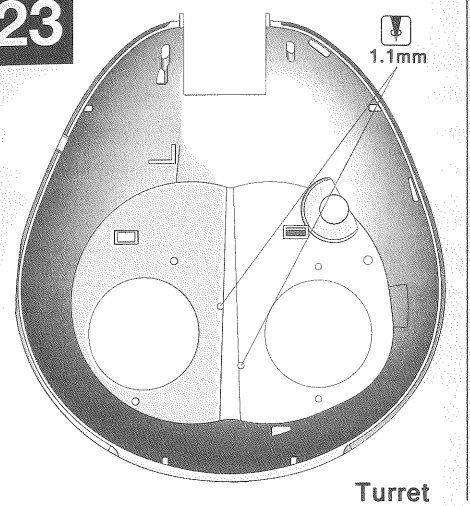
20



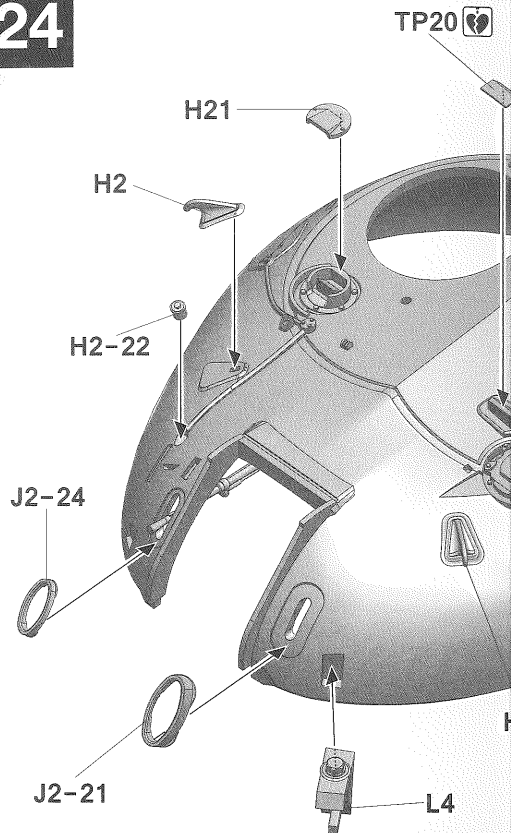
21



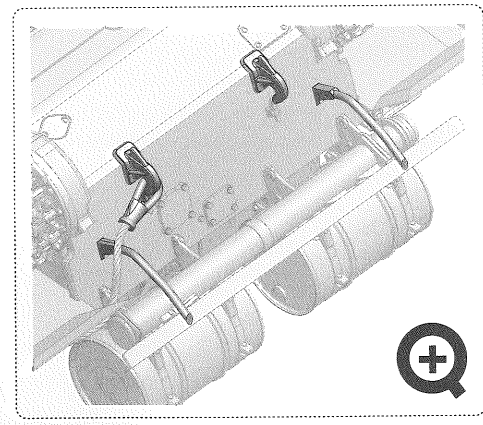
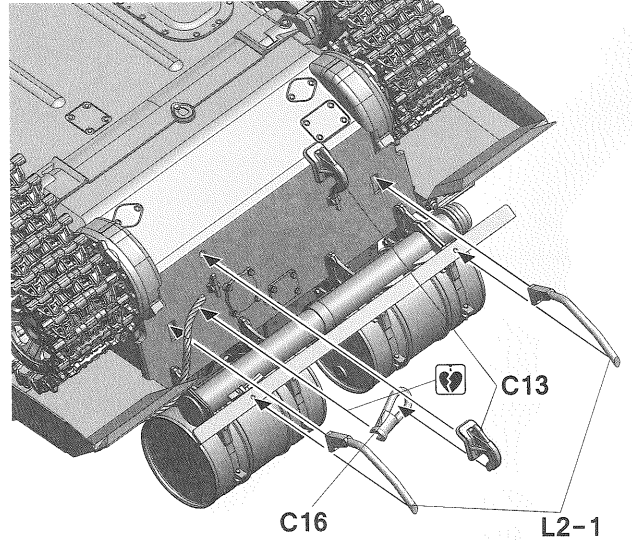
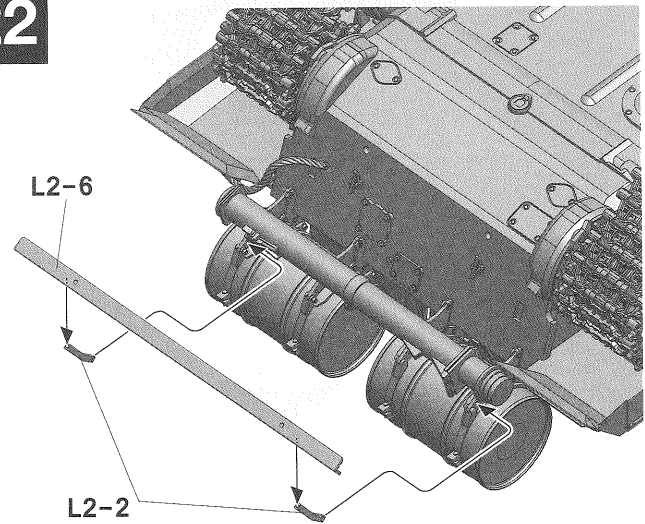
23



24

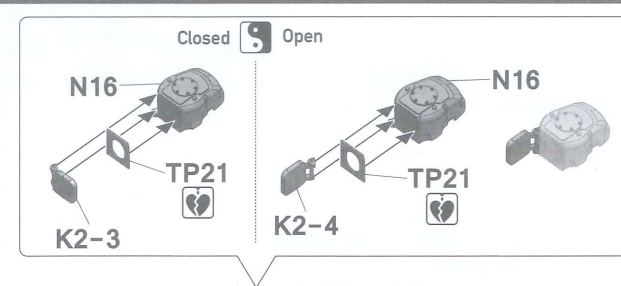
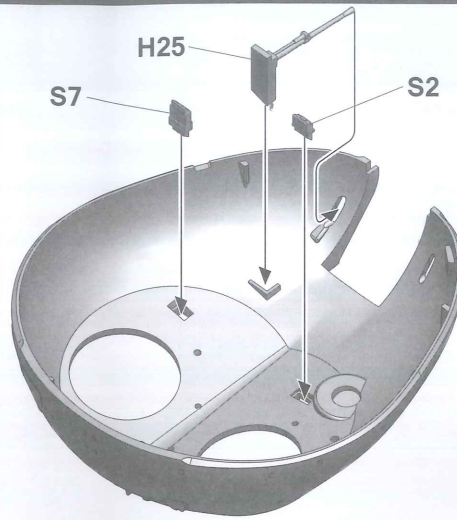
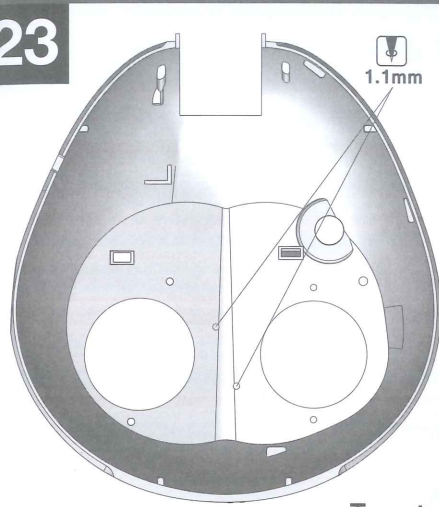


22

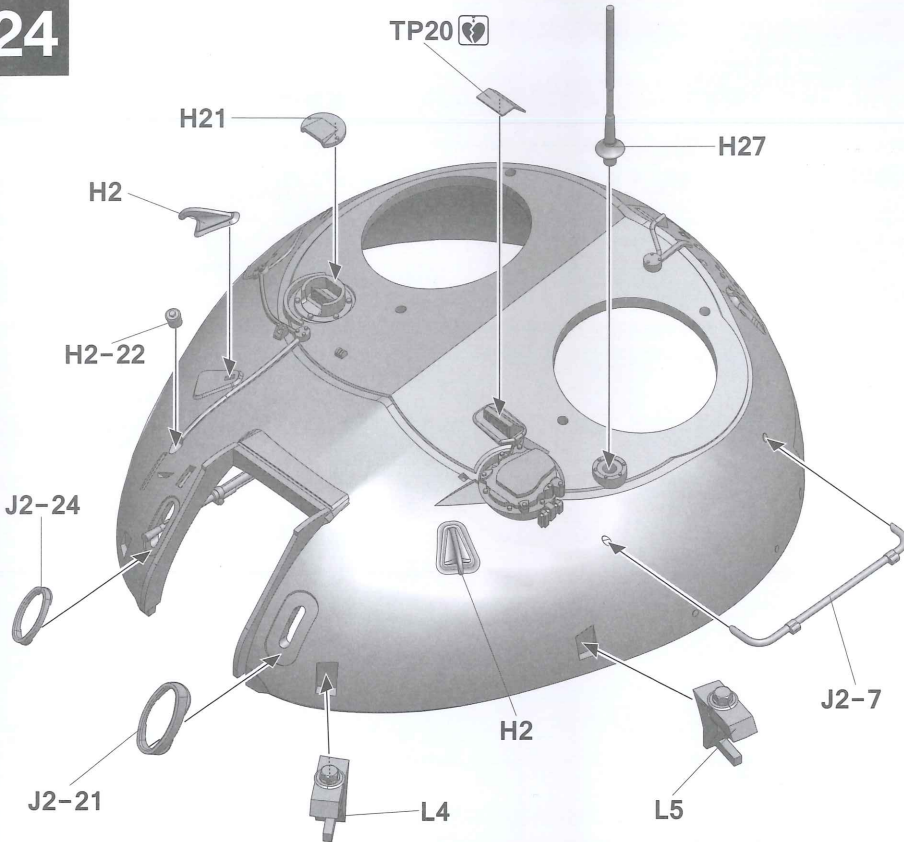


13

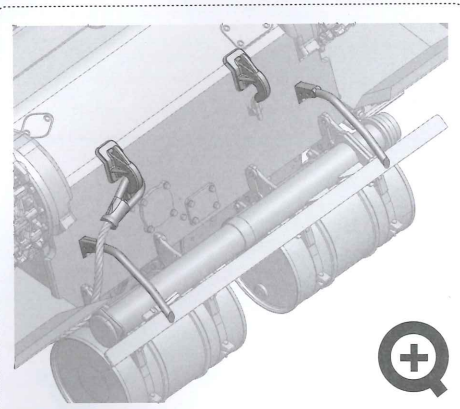
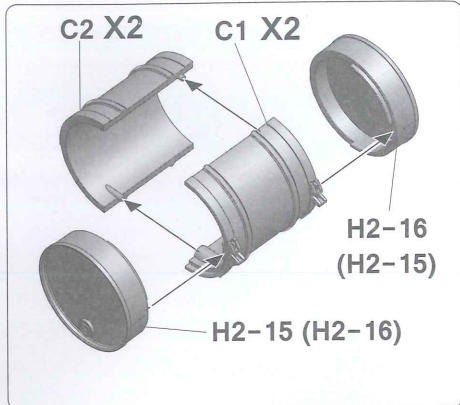
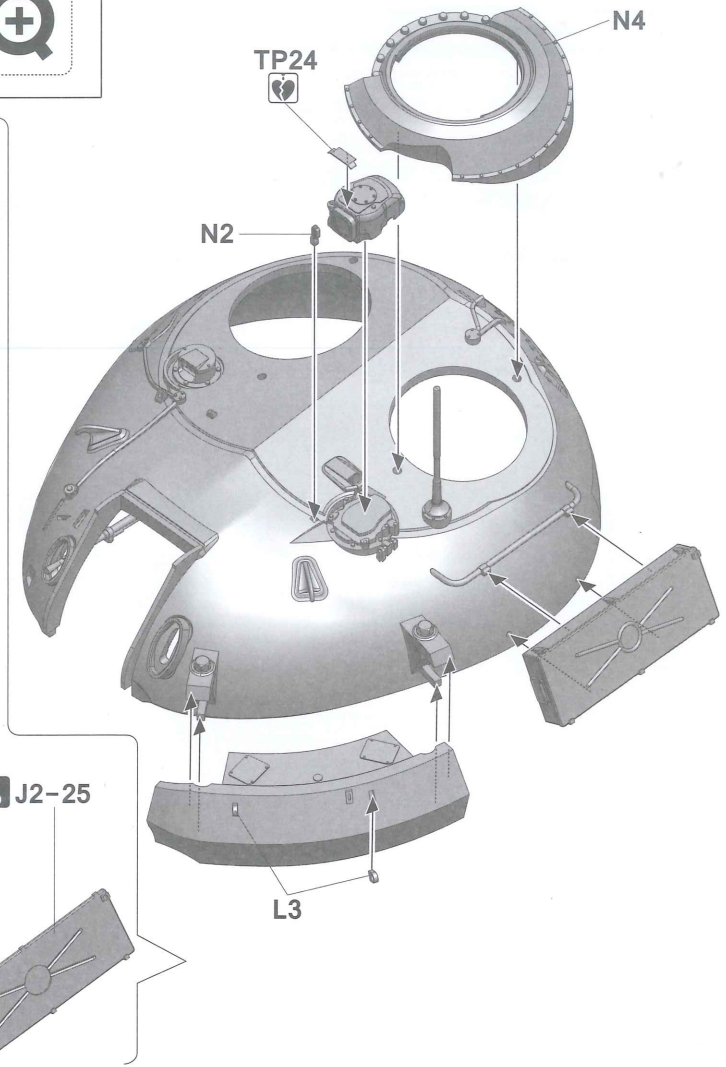
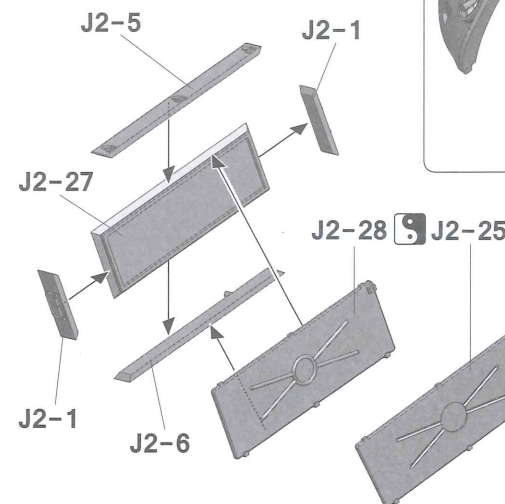
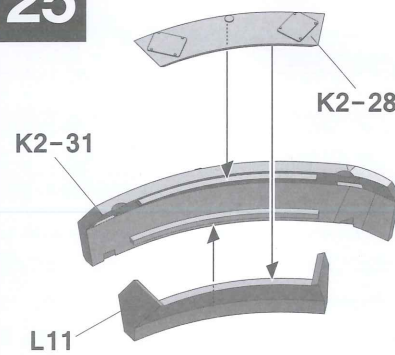
23

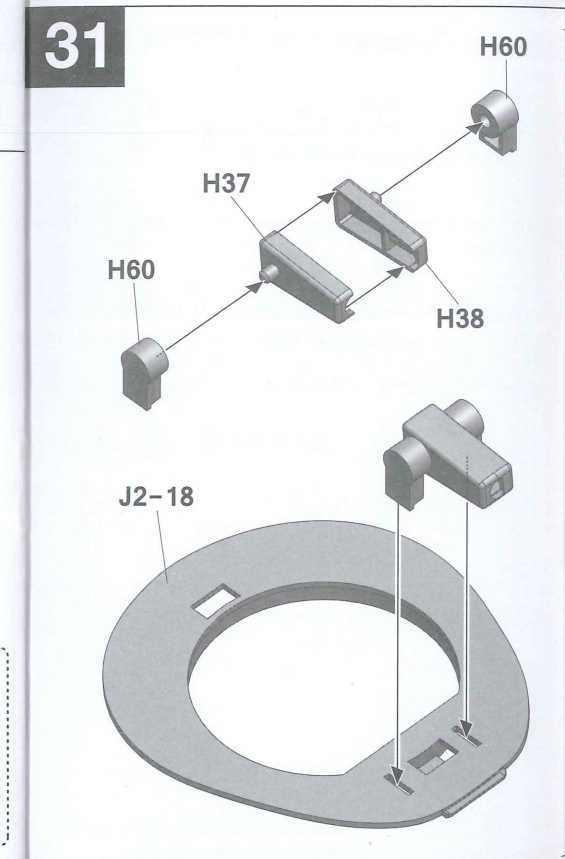
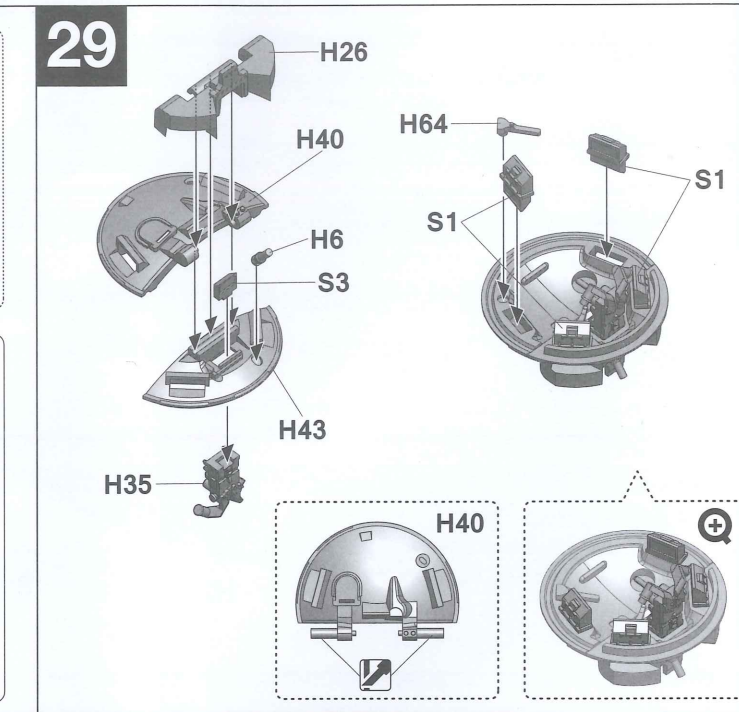
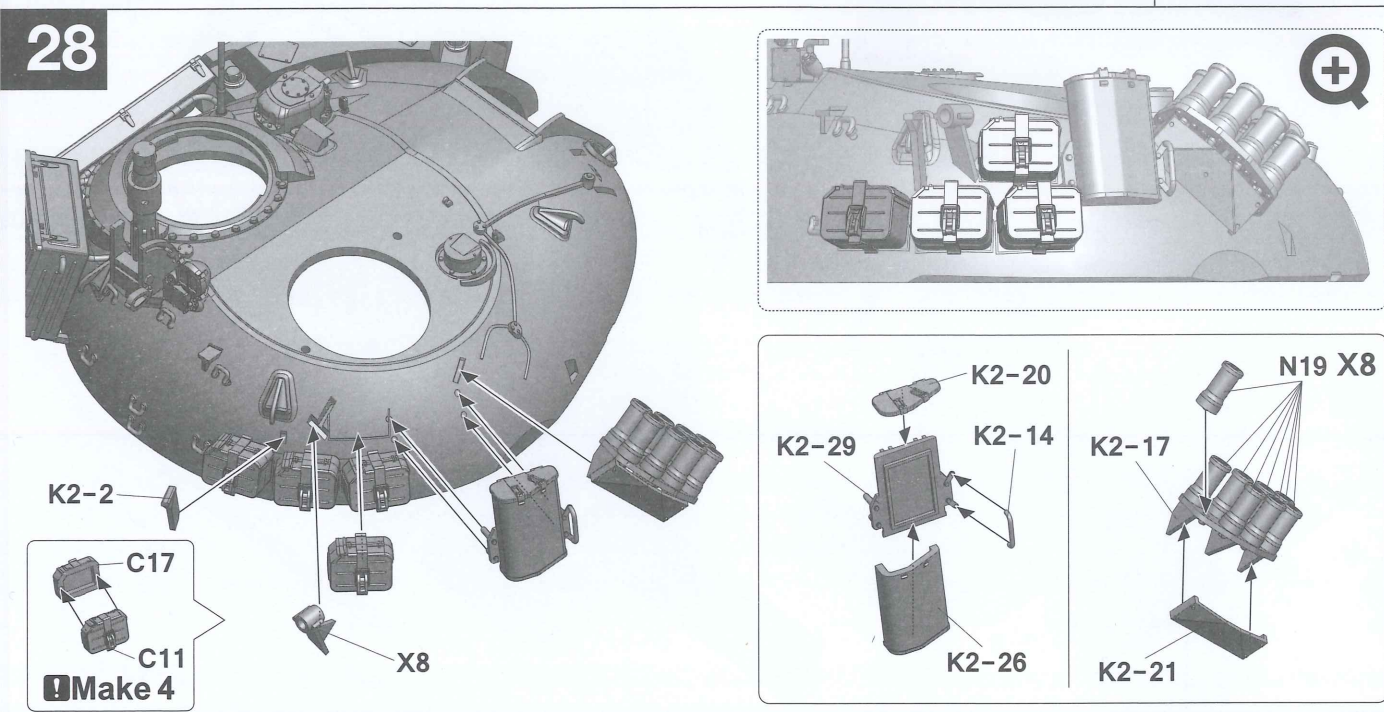
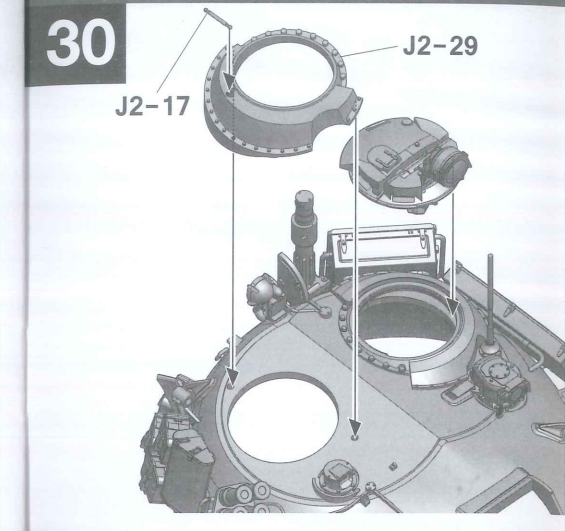
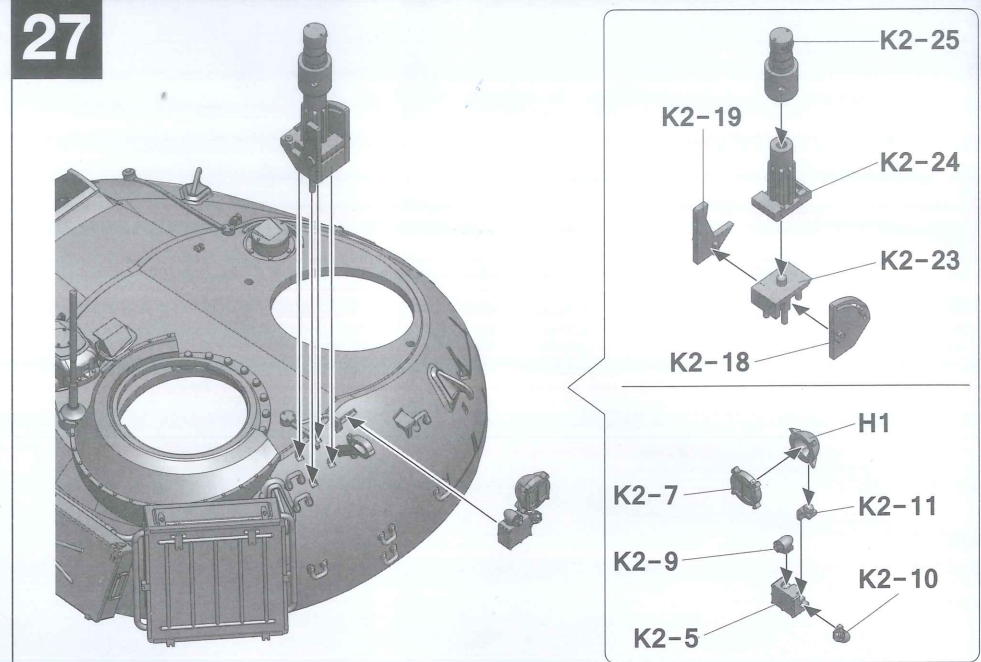
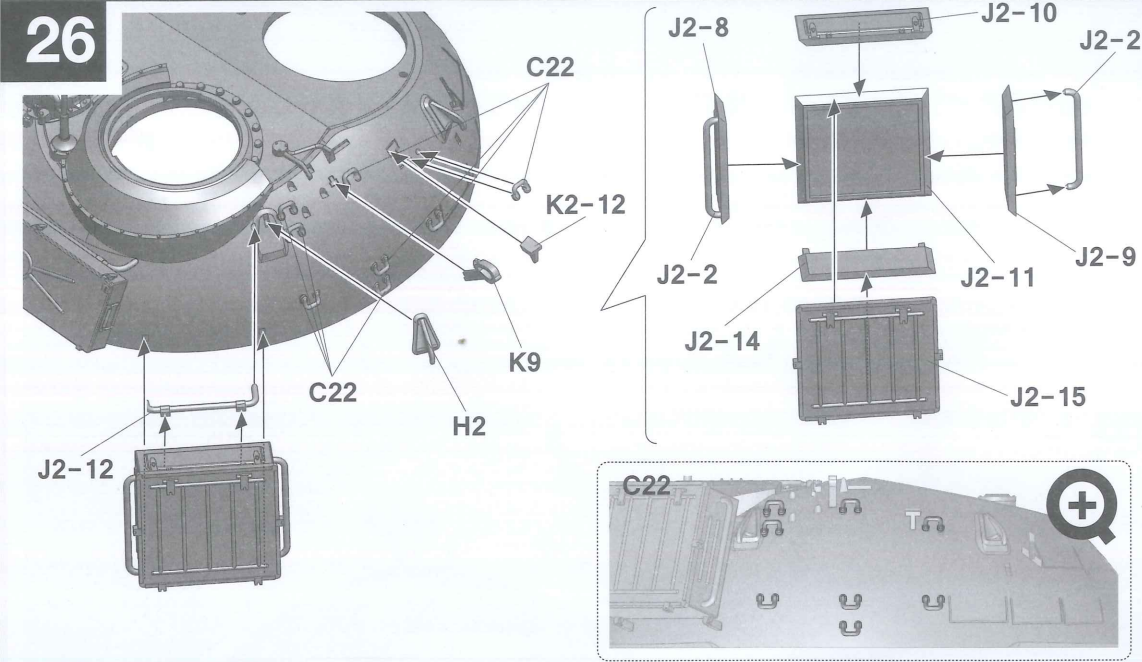


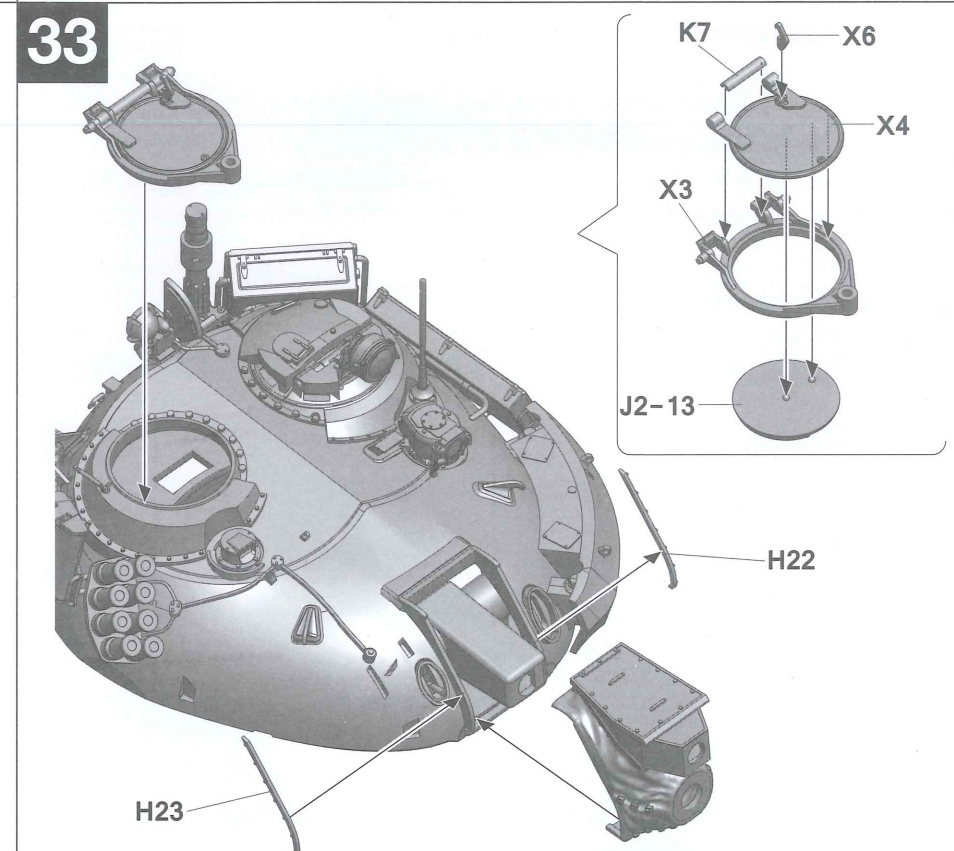
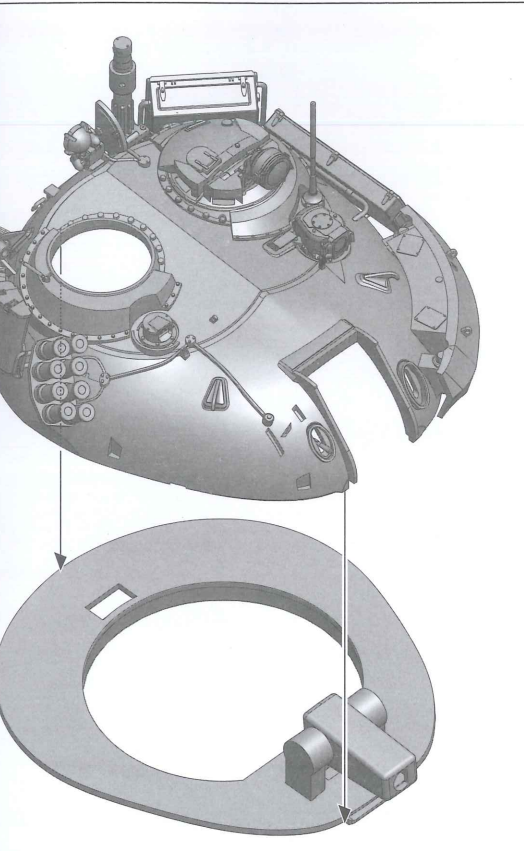
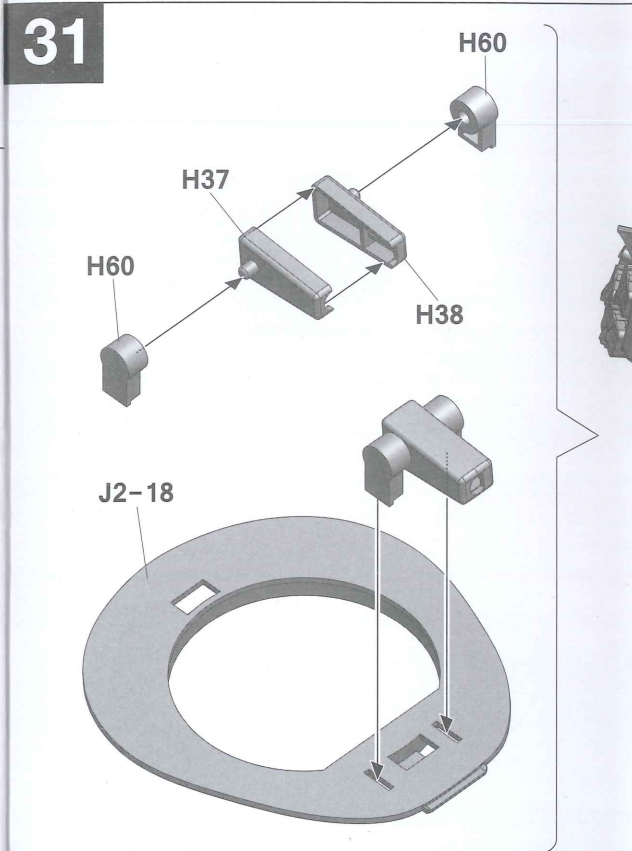
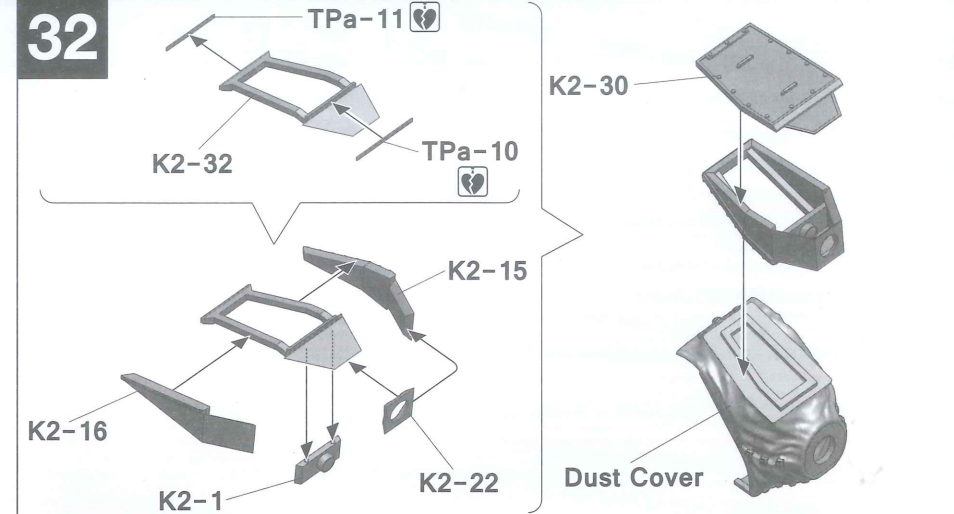
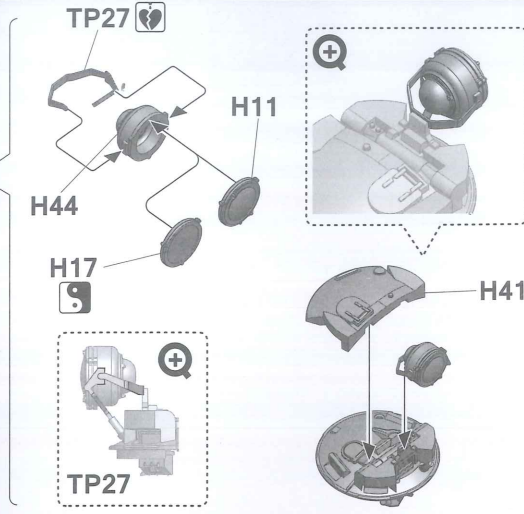
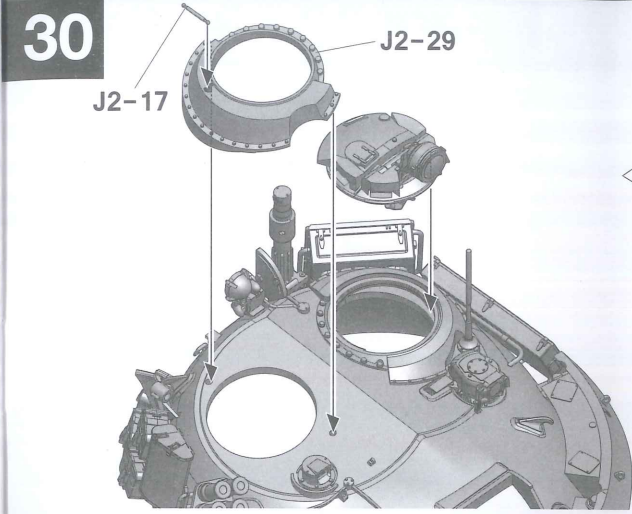
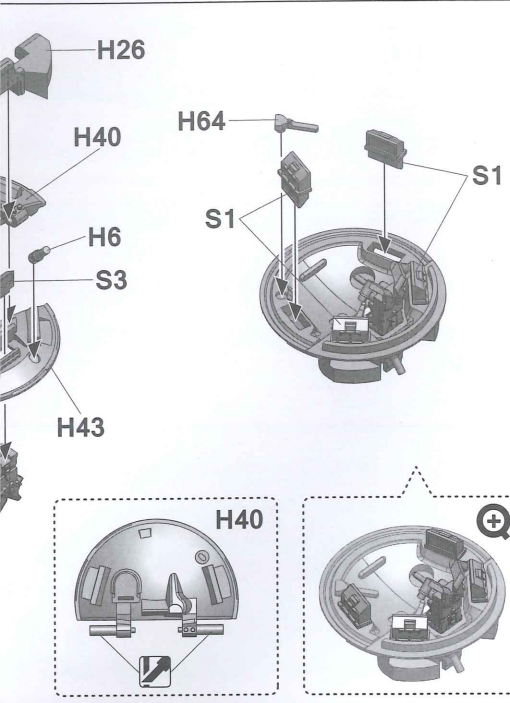
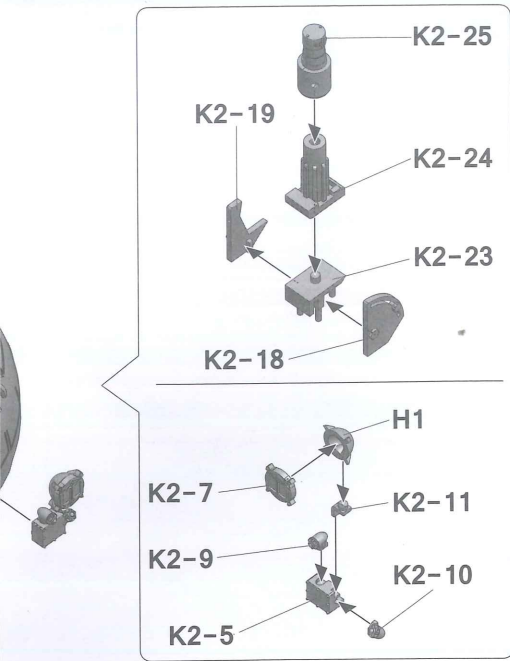
24



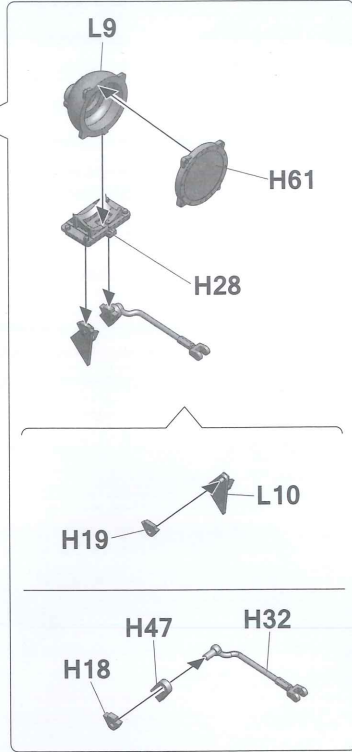
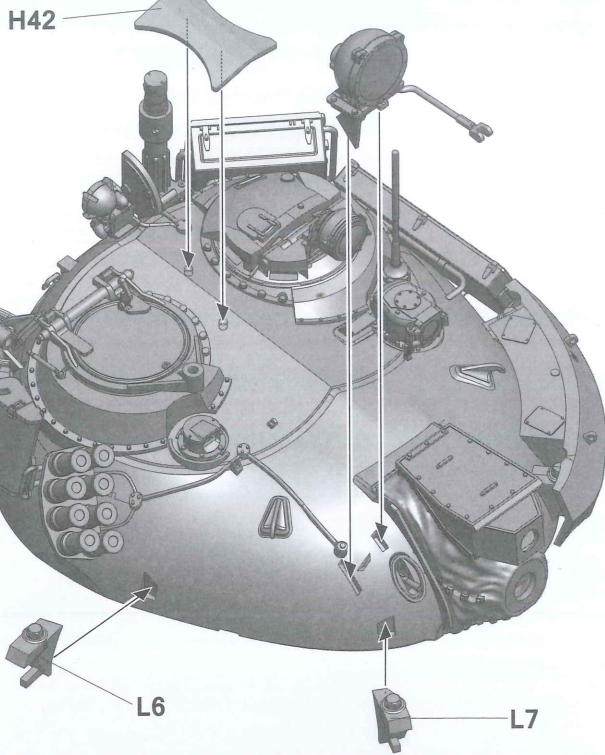
25



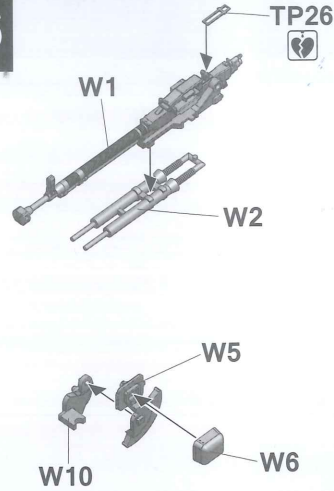




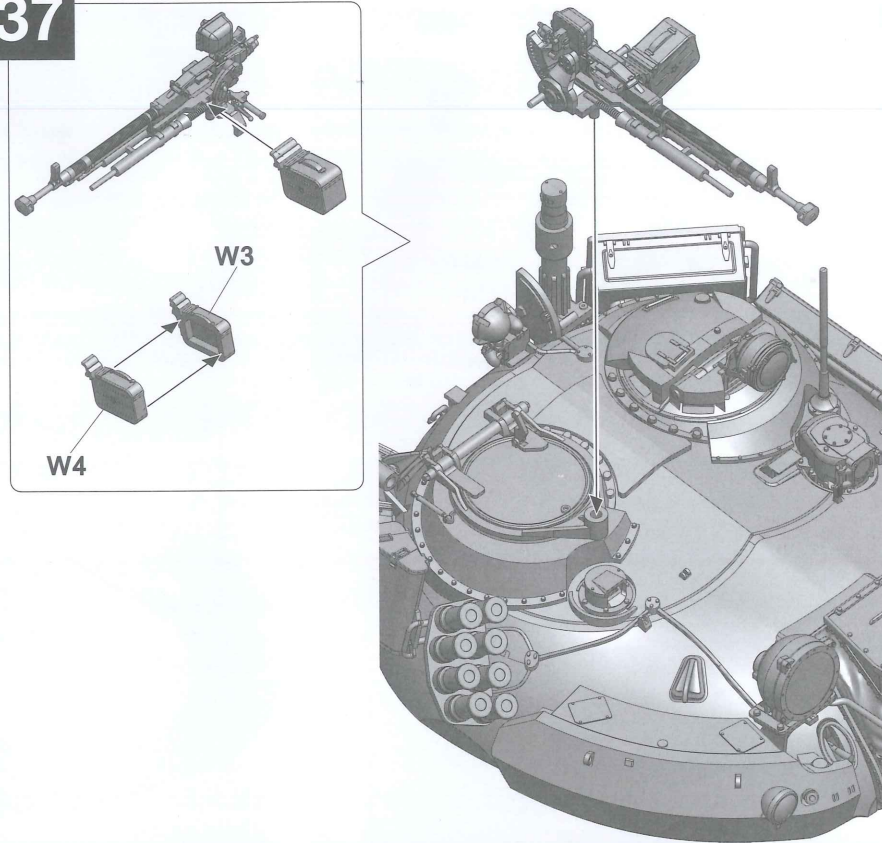
34



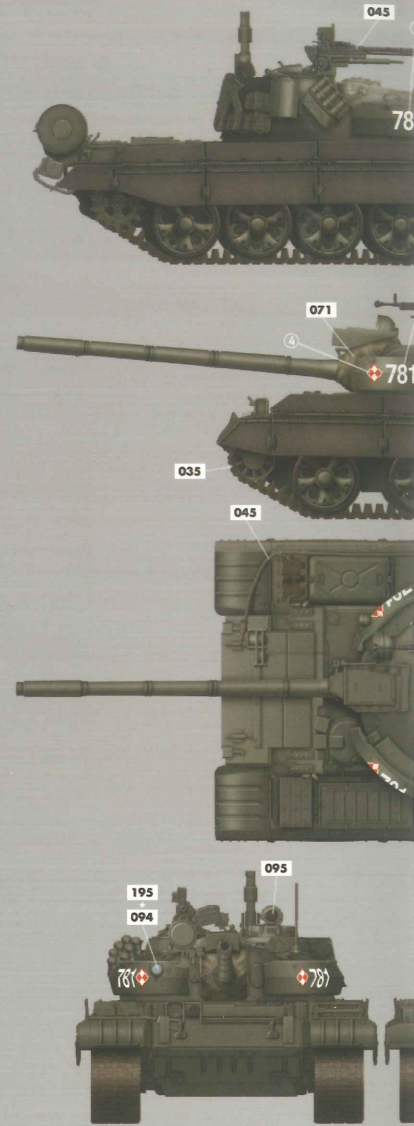
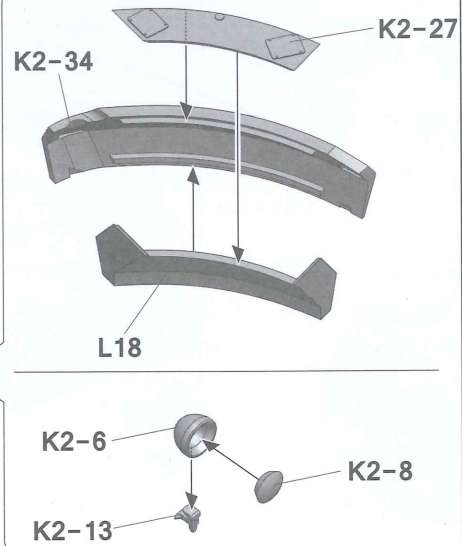
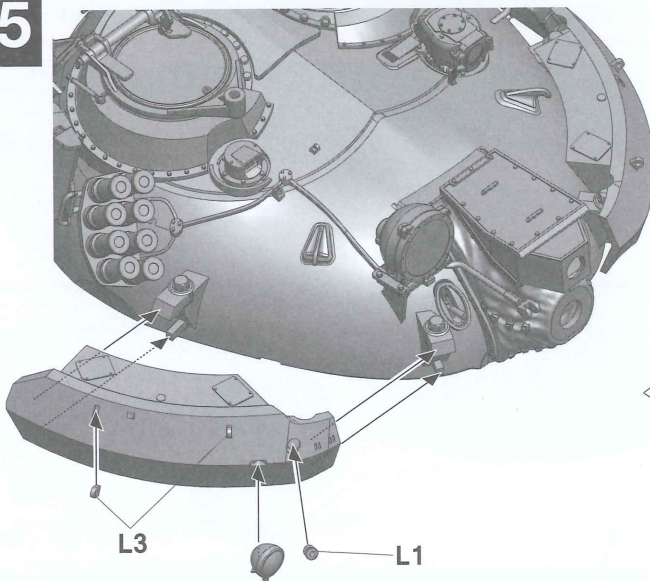
36



37



35

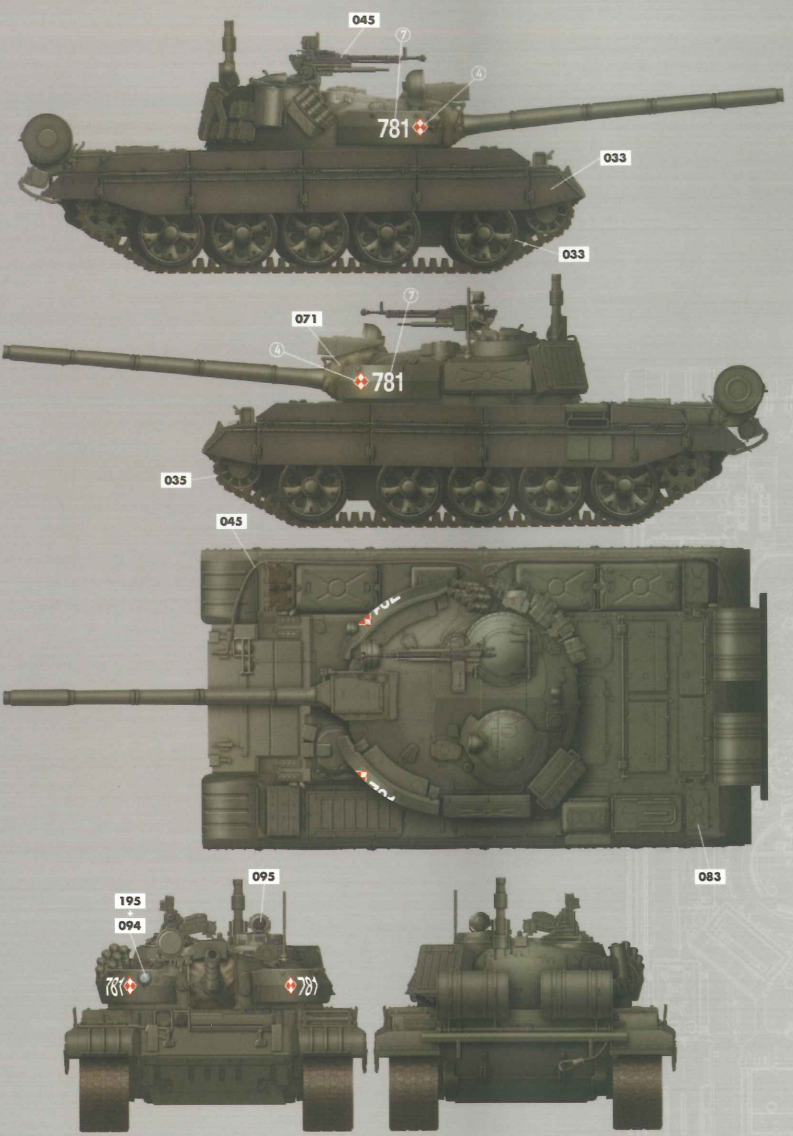




Painting and Marking Guide

- A.MIG 033** Rubber & Tires
- A.MIG 035** Dark Tracks
- A.MIG 045** Gun Metal
- A.MIG 071** Khaki
- A.MIG 094** Crystal Glass
- A.MIG 095** Crystal Smoke
- A.MIG 195** Silver
- A.MIG 083** ZASHCHITNIY ZELENO

T-55 AM 2B, Poland



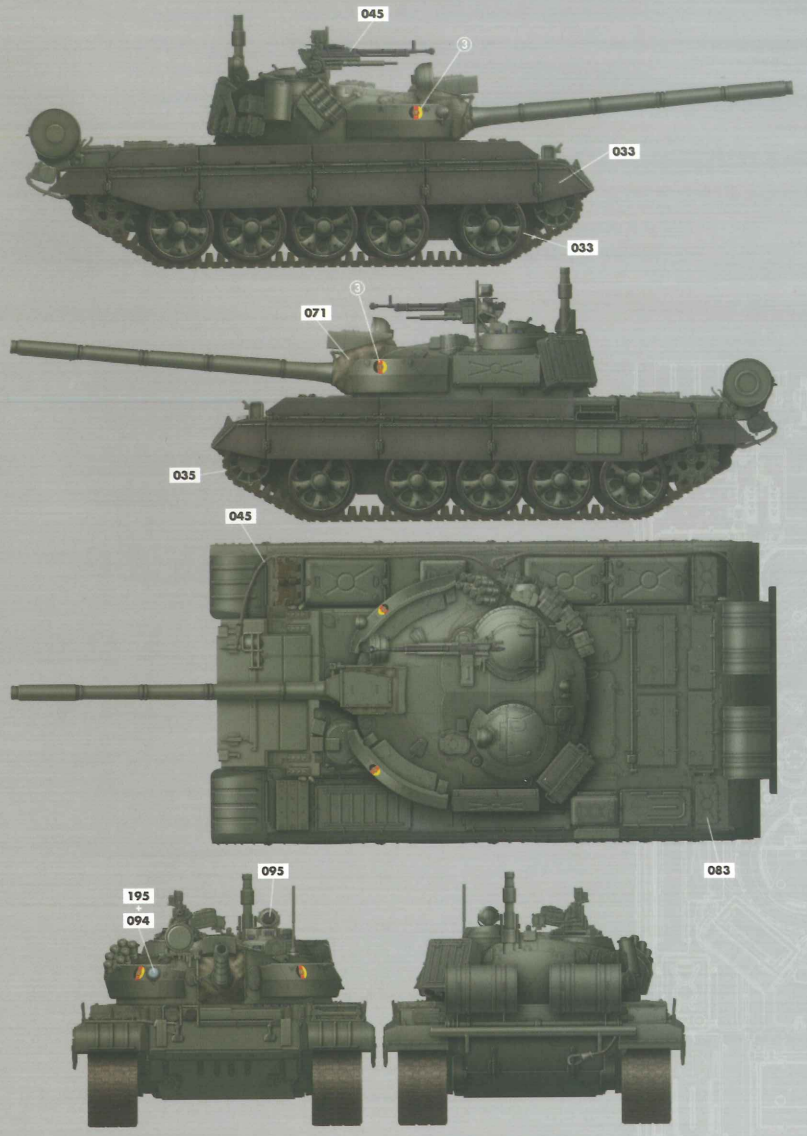
TAKOM T-55 AM 2B Ref: 2057



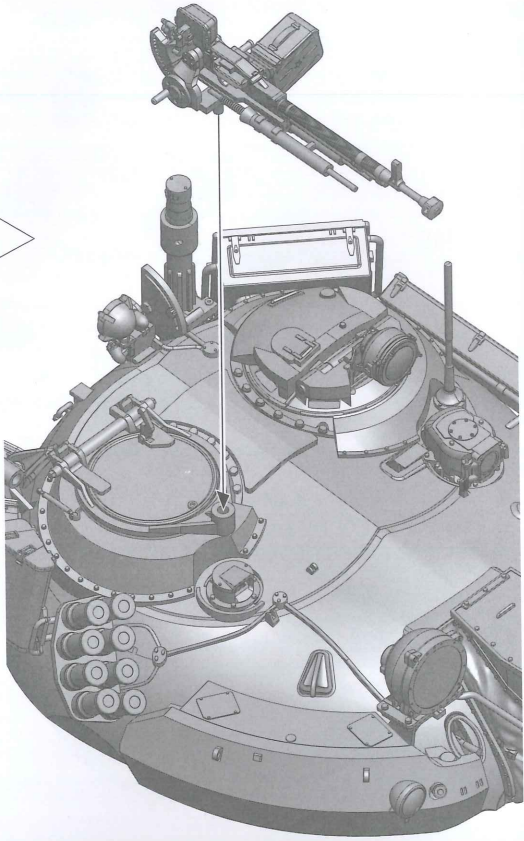
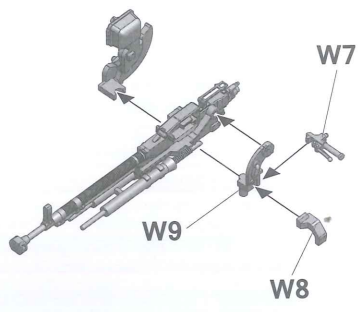
Painting and Marking Guide

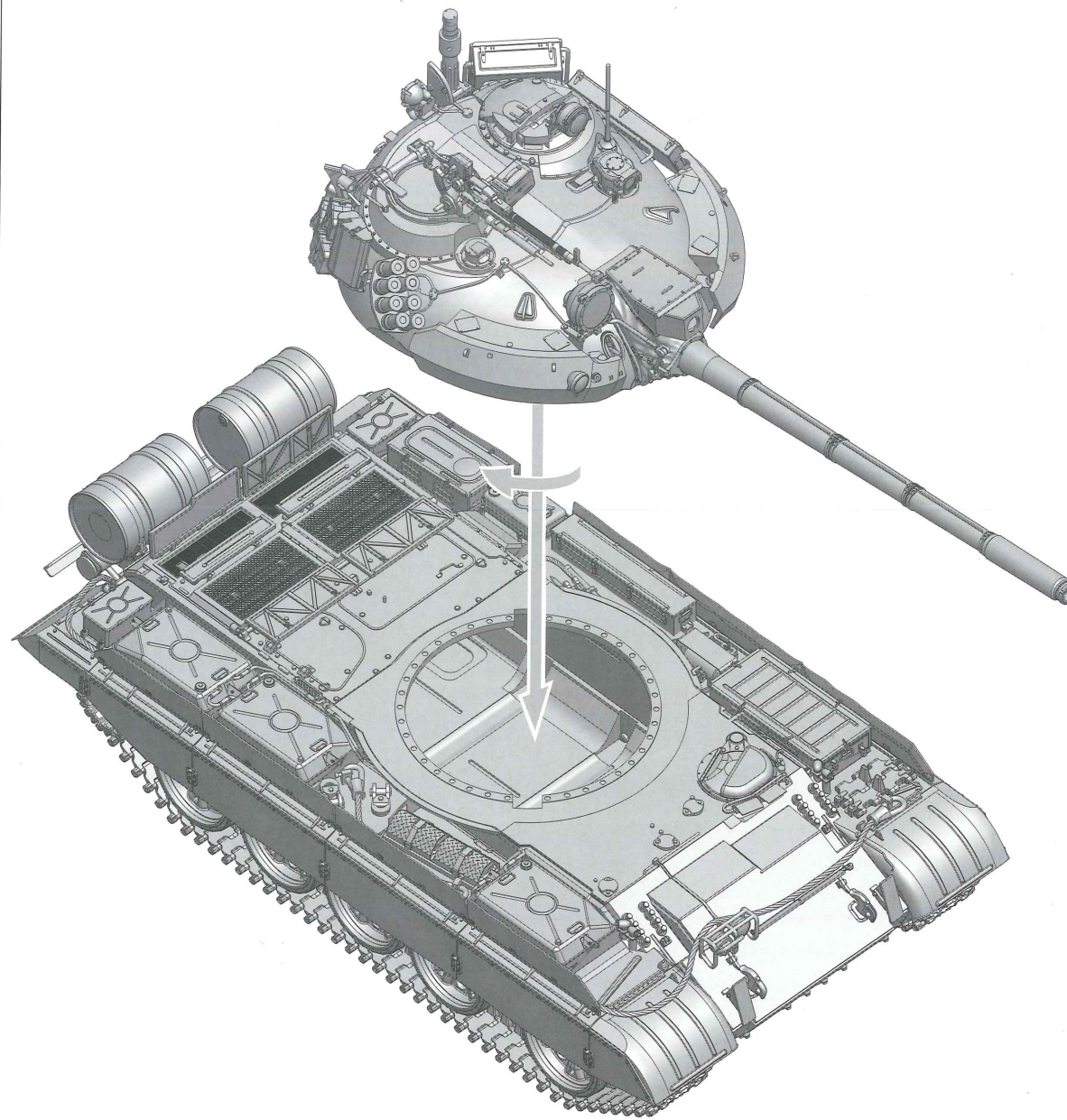
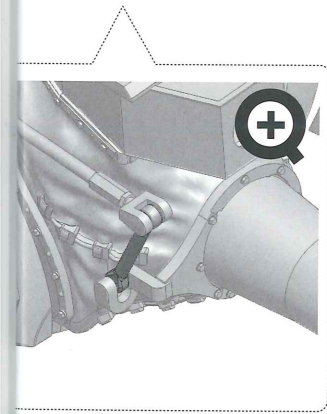
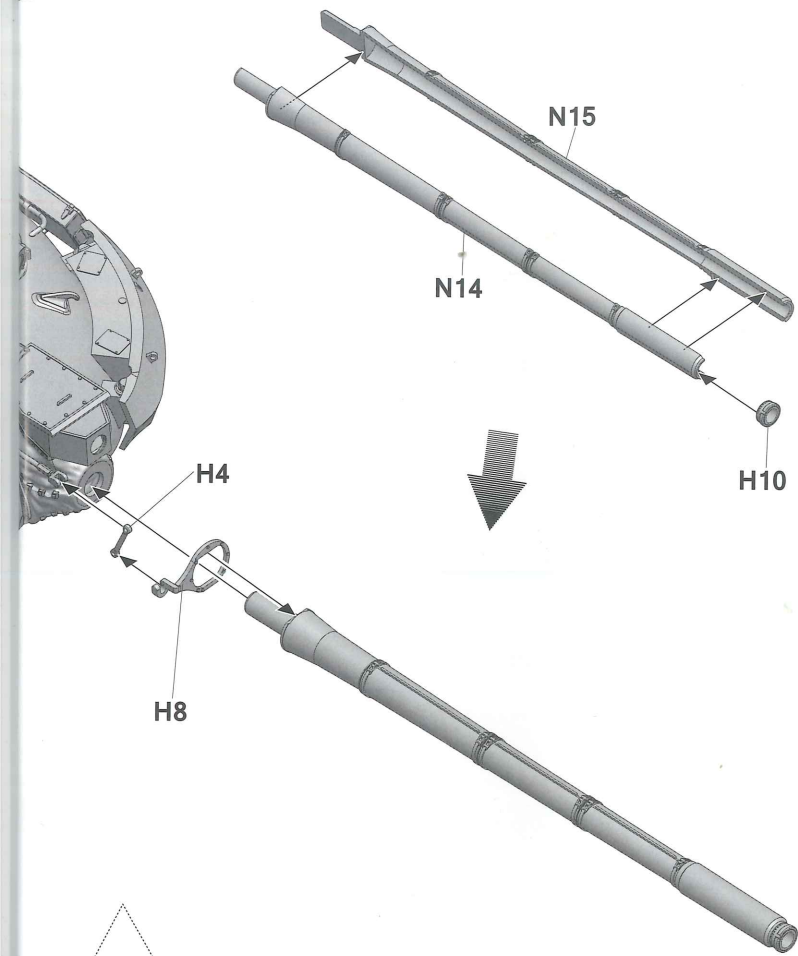
- A.MIG 033** Rubber & Tires
- A.MIG 035** Dark Tracks
- A.MIG 045** Gun Metal
- A.MIG 071** Khaki
- A.MIG 094** Crystal Glass
- A.MIG 095** Crystal Smoke
- A.MIG 195** Silver
- A.MIG 083** ZASHCHITNIY ZELENO

T-55 AM 2B, RDA



TAKOM T-55 AM 2B Ref: 2057

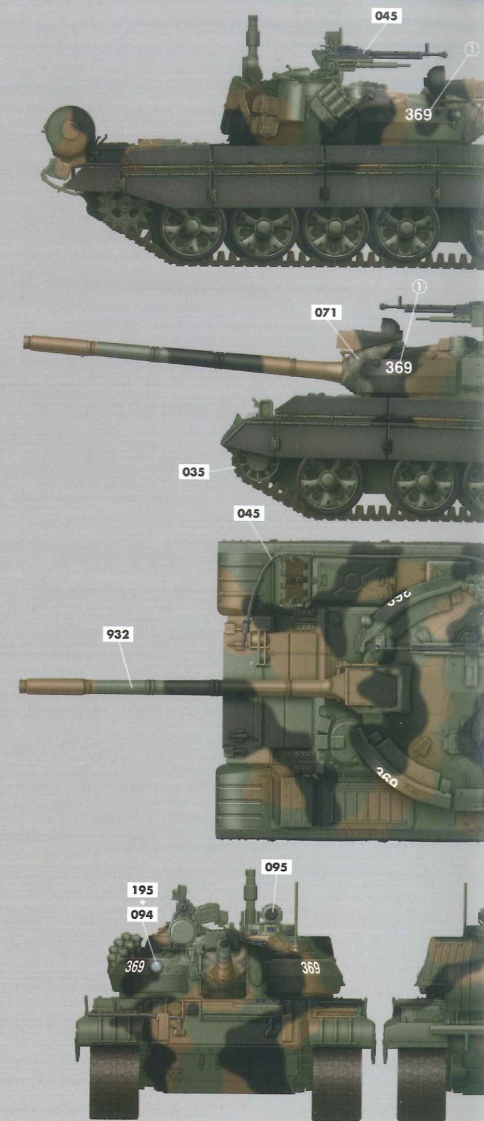




Painting and Marking Guide

T-55 AM 2B, Czechoslovakia

- A.MIG 033 Rubber & Tires
- A.MIG 094 Crystal Glass
- A.MIG 078 Ochre Earth
- A.MIG 035
- A.MIG 095
- A.MIG 932



T-55 AM 2B

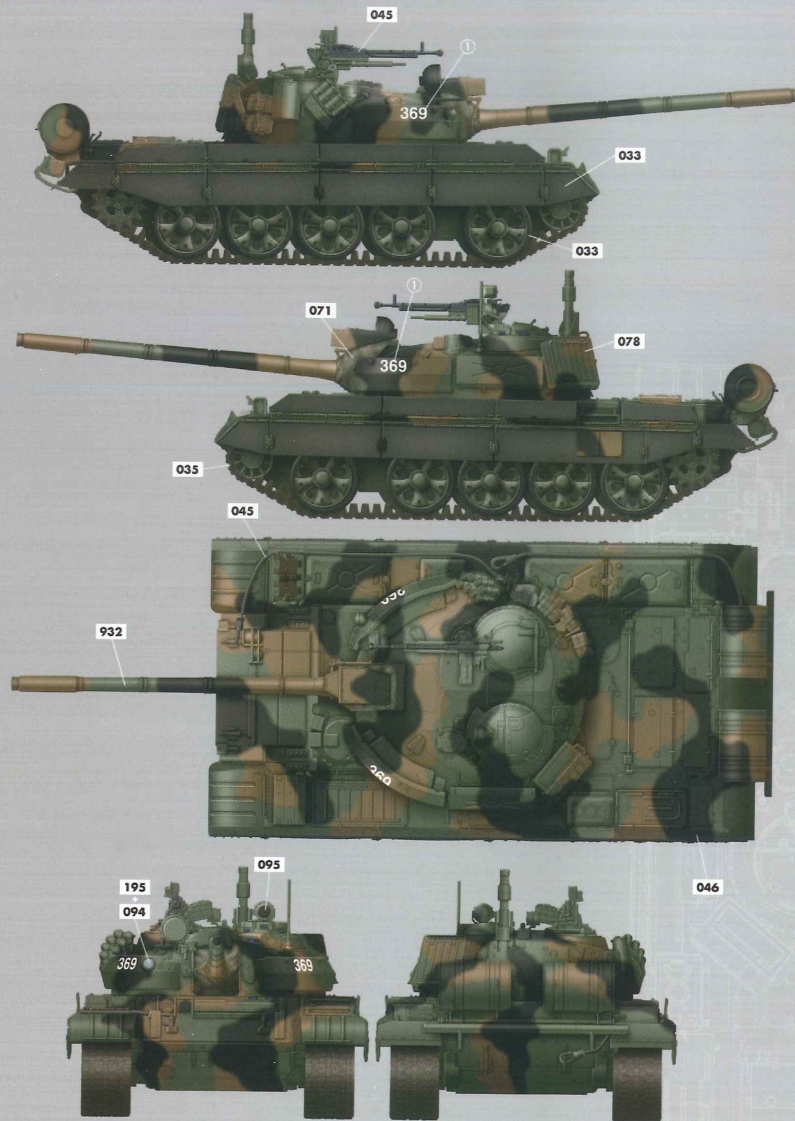
Color info and profiles by



Painting and Marking Guide

- A.MIG 033** Rubber & Tires
- A.MIG 035** Dark Tracks
- A.MIG 045** Gun Metal
- A.MIG 071** Khaki
- A.MIG 094** Crystal Glass
- A.MIG 095** Crystal Smoke
- A.MIG 195** Silver
- A.MIG 046** Matt Black
- A.MIG 078** Ochre Earth
- A.MIG 932** Russian Base

T-55 AM 2B, Czechoslovakia



TAKOM T-55 AM 2B Ref: 2057

T-55 AM 2B

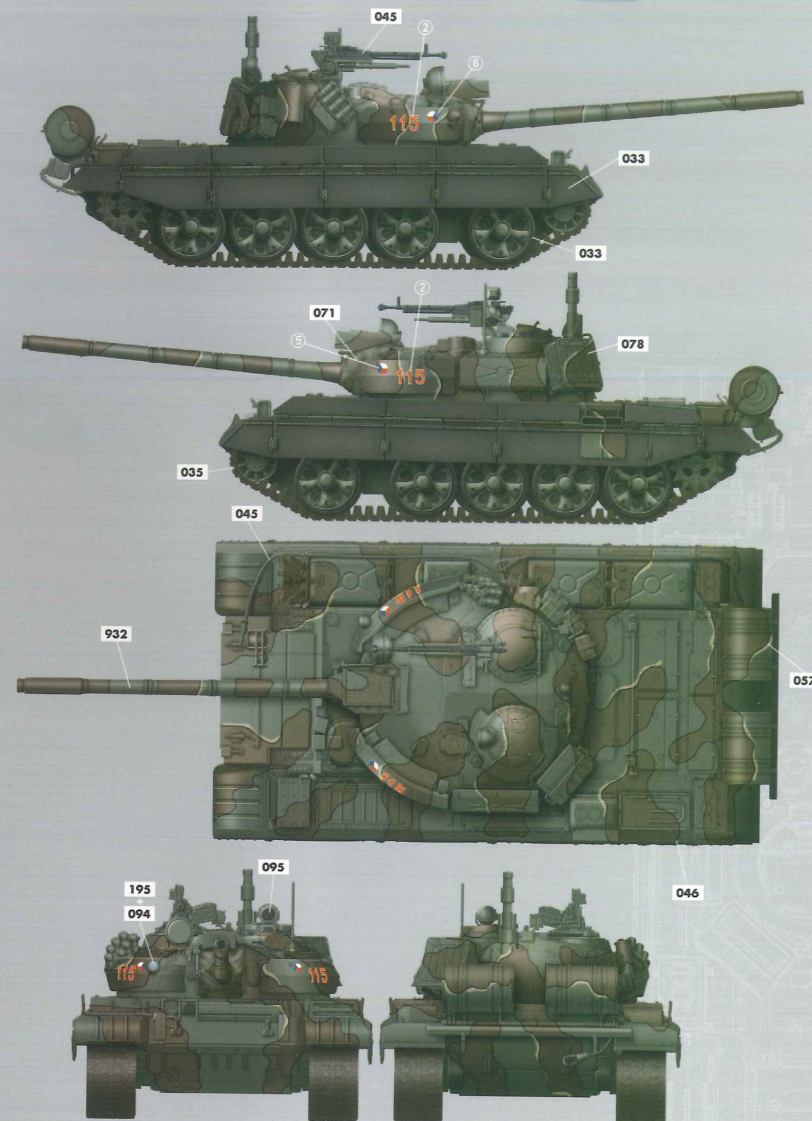
Color info and profiles by



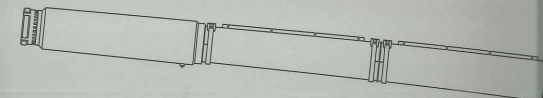
Painting and Marking Guide

- A.MIG 033** Rubber & Tires
- A.MIG 035** Dark Tracks
- A.MIG 045** Gun Metal
- A.MIG 071** Khaki
- A.MIG 094** Crystal Glass
- A.MIG 095** Crystal Smoke
- A.MIG 195** Silver
- A.MIG 046** Matt Black
- A.MIG 057** Yellow Grey
- A.MIG 078** Ochre Earth
- A.MIG 932** Russian Base

T-55 AM 2B, Czechoslovakia



TAKOM T-55 AM 2B Ref: 2057

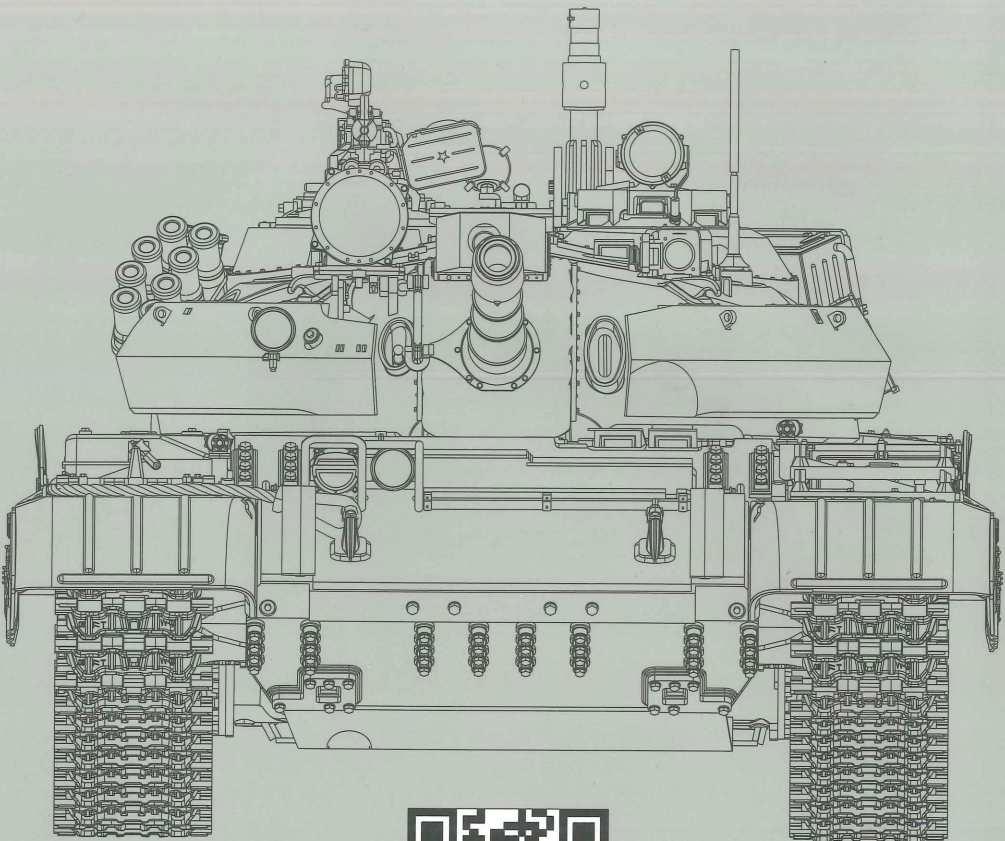


The ubiquitous T-54 & T-55 series is the most produced tank by WWII, continuously incorporating improved weapons, powerpa AVLB's, and still serve in large numbers today with as many as

The T-55AM2B is the Czech-produced tank that coincided with protection to the front of the turret against APFSD rounds and 2 against HEAT rounds, and an additional 20mm armor steel pro gear and sides of the hull. The Czech equivalent of the Russian included in the upgrade is the 1K13 fire control system capable penetrate up to 100cm homogenous steel armor and has an ef

DISCLAIMER
All shipments are only accepted subject to the Standard Trading Conditions adopted by the Canadian International Freight Forwarders Association Inc. and/or the Canadian Society of Customs Brokers. Copy available upon request or on the web at www.ciffa.com or www.cscb.ca.

2016/2057



 You can find TAKOM on Facebook.com