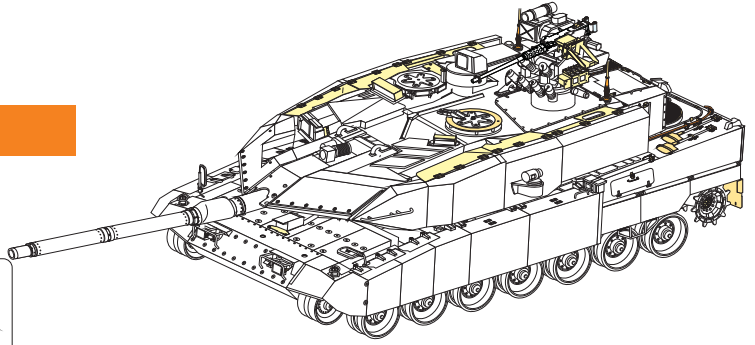


1/35 MILITARY MINIATURE VEHICLE UPGRADE SERIES PE351007

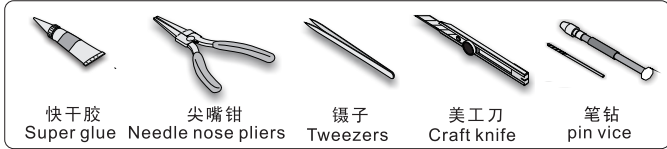
# Modern German Leopard 2A7 +Basic

## 现代德军豹2A7+基本改造件

[For MENG TS 35-042]



**推荐使用工具 RECOMMENDED TOOLS**



快干胶 Super glue    尖嘴钳 Needle nose pliers    镊子 Tweezers    美工刀 Craft knife    笔钻 pin vice

- ↑  
安装  
install
- ↩  
折叠  
bend
- A1**  
改造件零件编号  
PE/resin part number
- B12**  
原零件编号  
kit part number
- C22**  
被替换的原零件编号  
replaced kit part number
- ⚡  
钻孔  
drill
- ✂  
切除  
remove
- ◀▶  
另一侧相同制作  
repeat on opposite side
- ⤵  
弧度卷曲  
radial bending
- x2  
制作若干组  
multiple assembly
- ↔  
选择安装  
alternative

↓  
用尖端在凹槽处冲压  
use penpoint to press on the dent

蚀刻片零件内侧面向上  
Put the part upside down  
用笔尖在凹槽处刺  
Use penpoint to press on the dent

⌀  
制作线圈  
make coil

**x12 a**

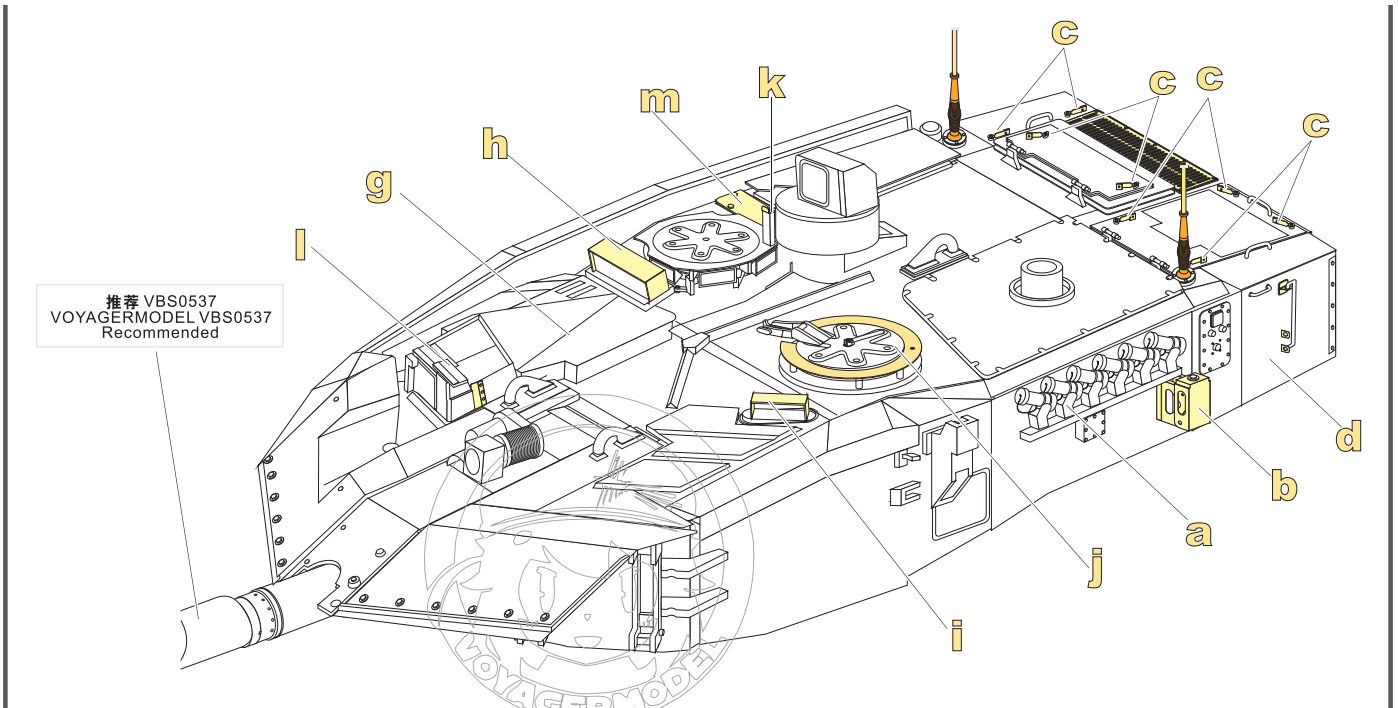
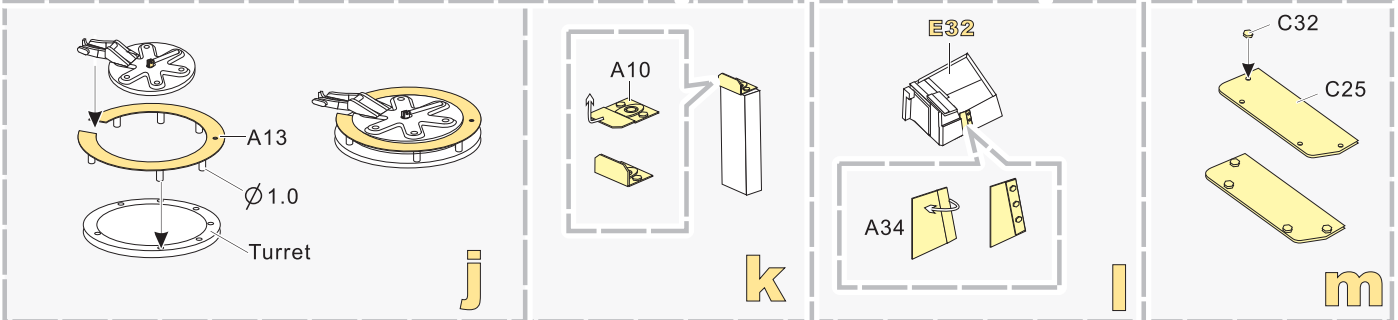
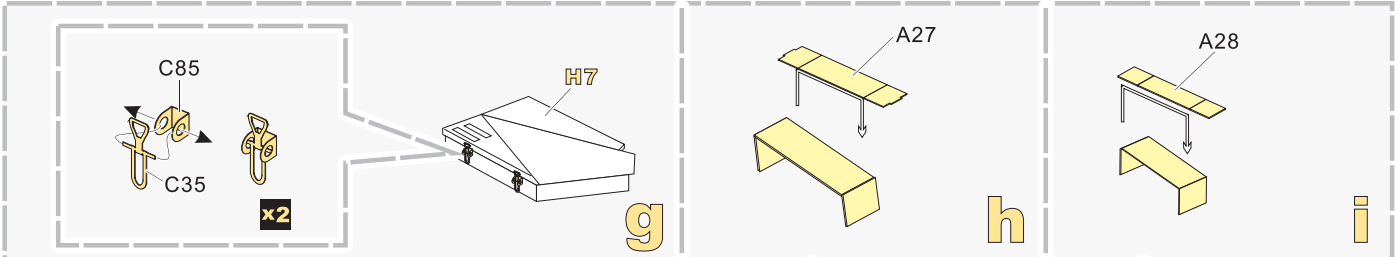
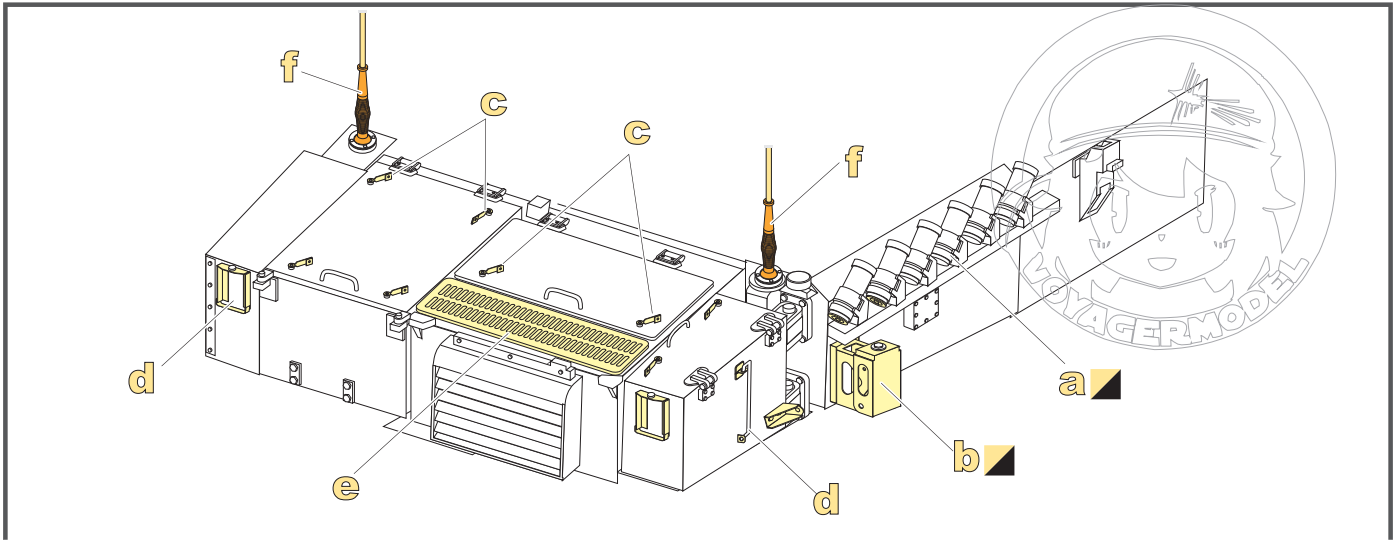
**b**

**x8 c**

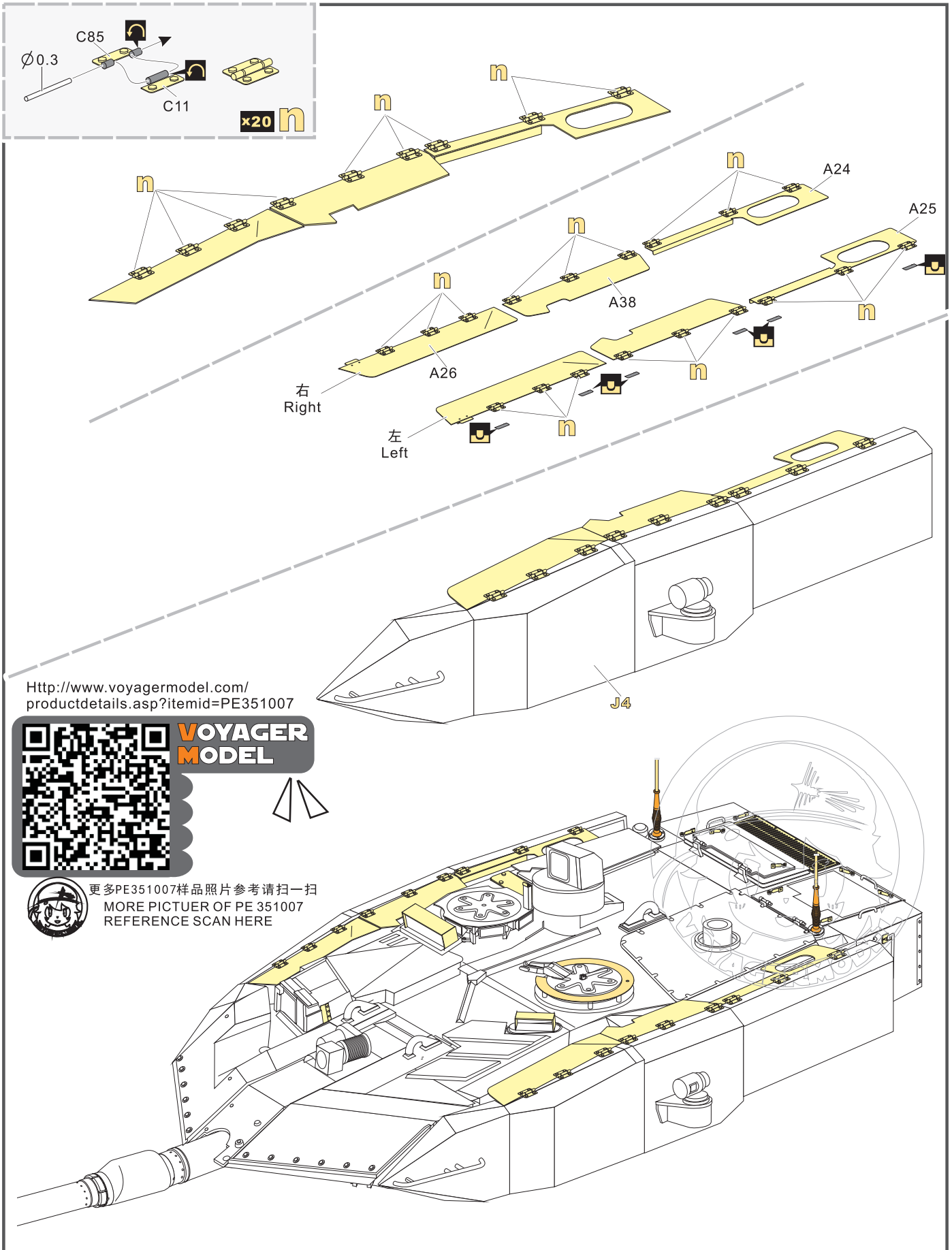
**e**

**x2 f**

1/35 MILITARY MINIATURE VEHICLE UPGRADE SERIES PE351007



1/35 MILITARY MINIATURE VEHICLE UPGRADE SERIES PE351007



[Http://www.voyagermodel.com/productdetails.asp?itemid=PE351007](http://www.voyagermodel.com/productdetails.asp?itemid=PE351007)

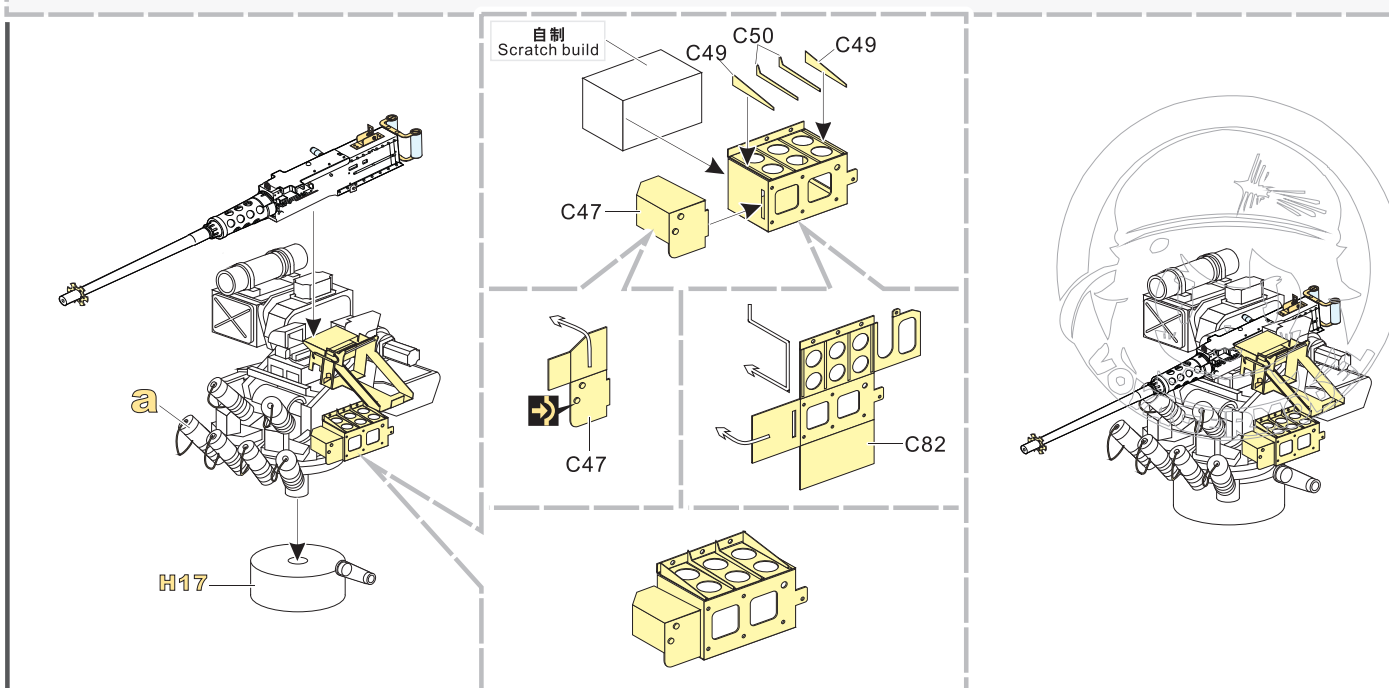
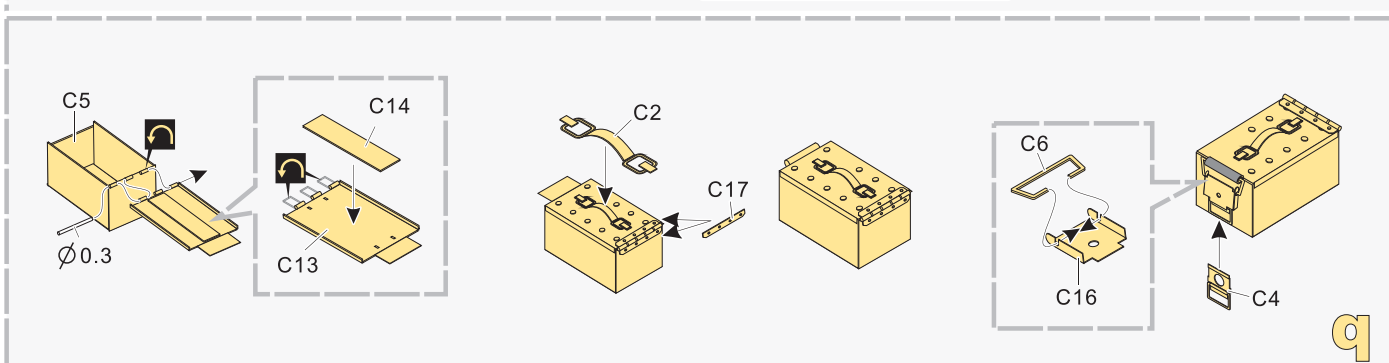
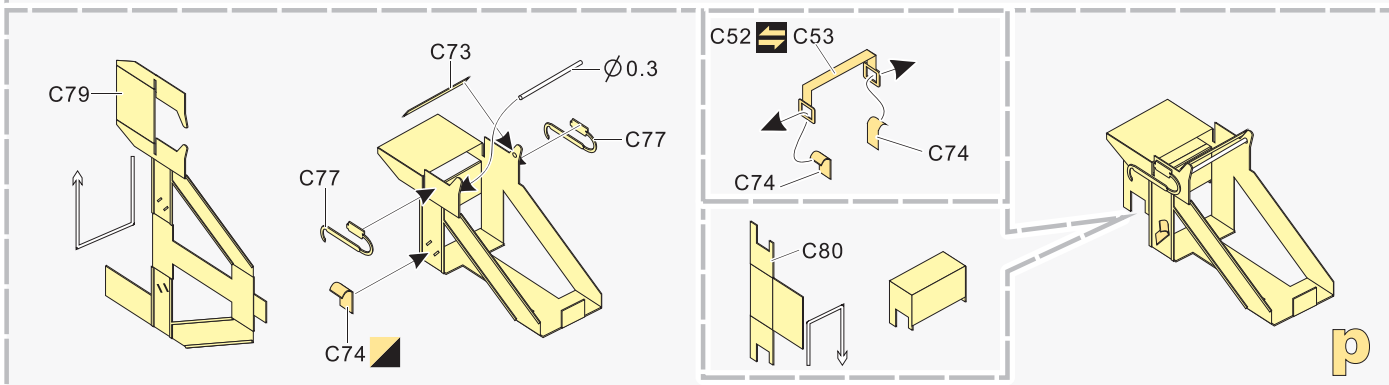
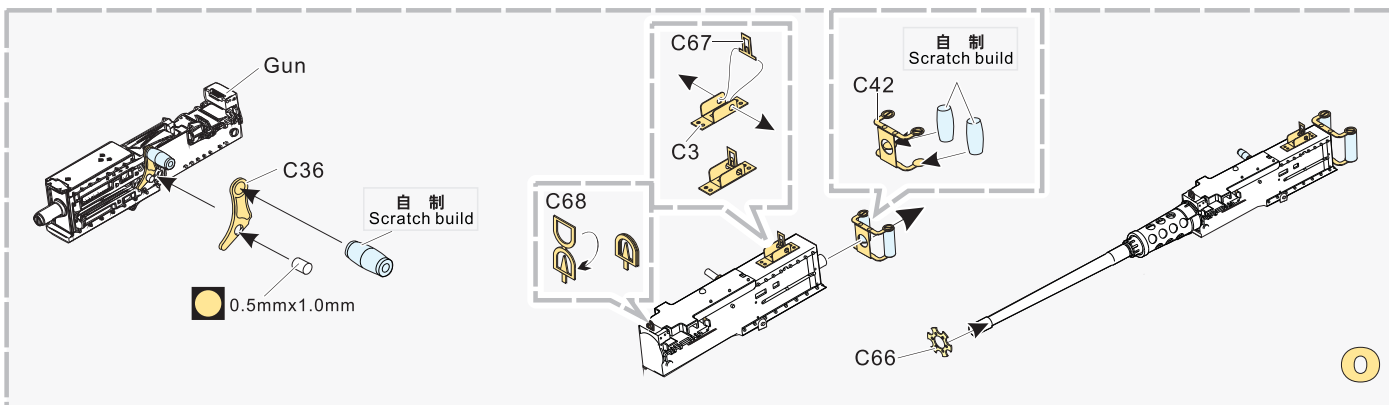


**VOYAGER  
MODEL**

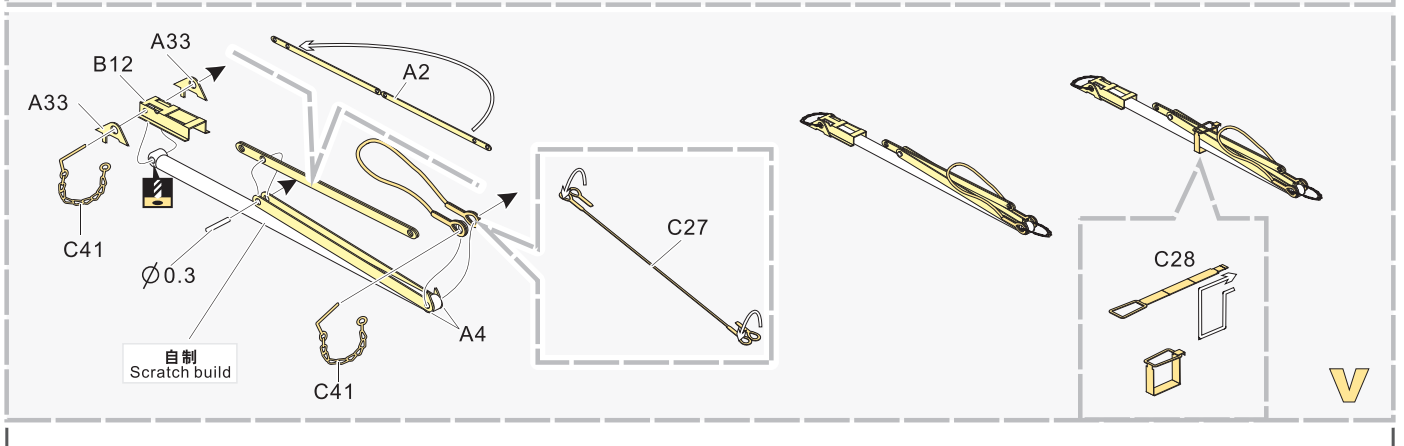
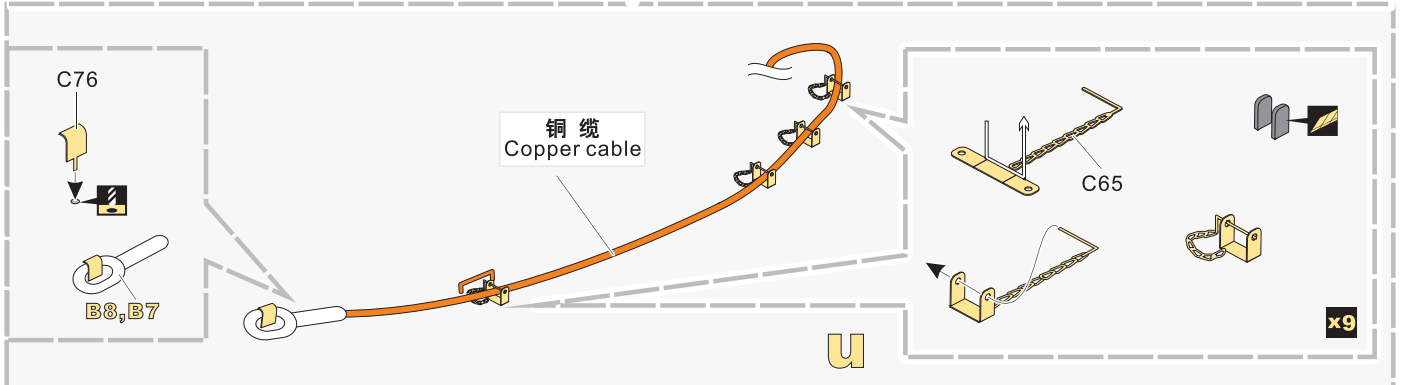
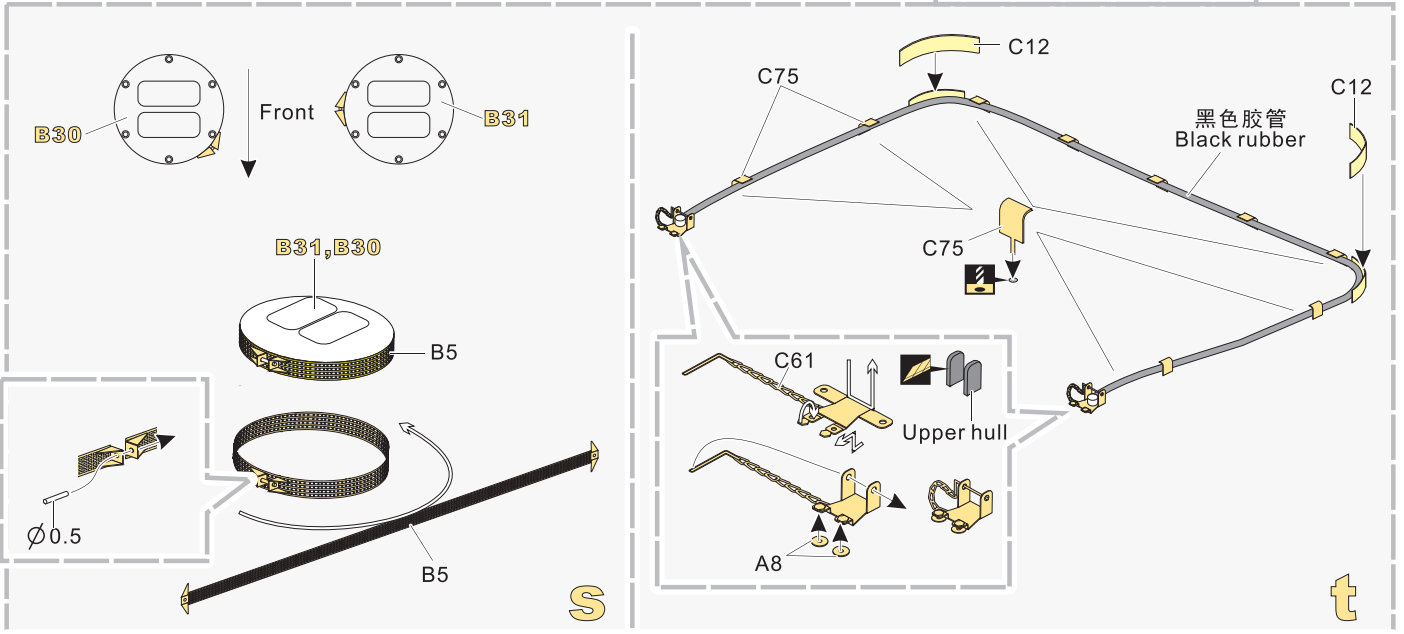
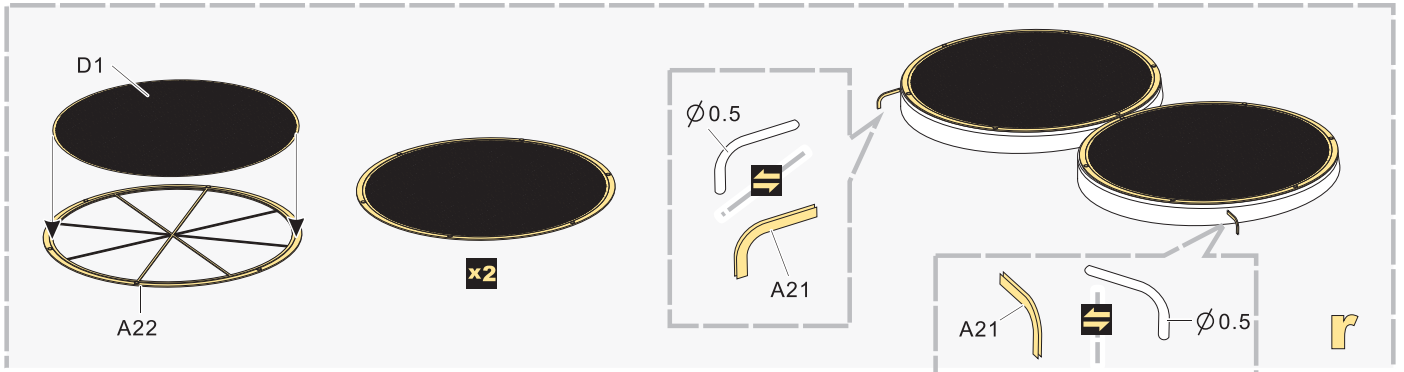


更多PE351007样品照片参考请扫一扫  
MORE PICTUER OF PE 351007  
REFERENCE SCAN HERE

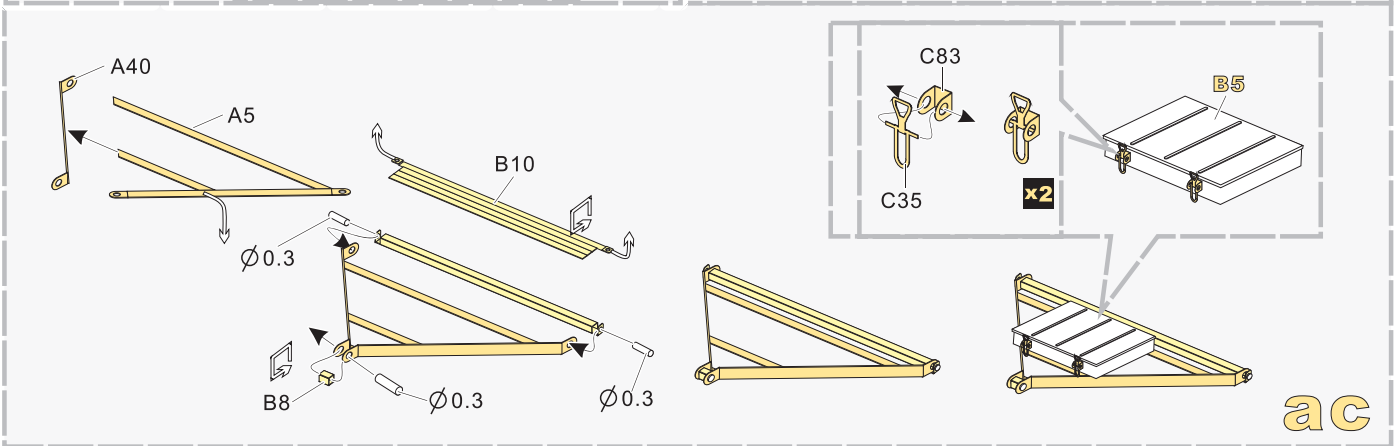
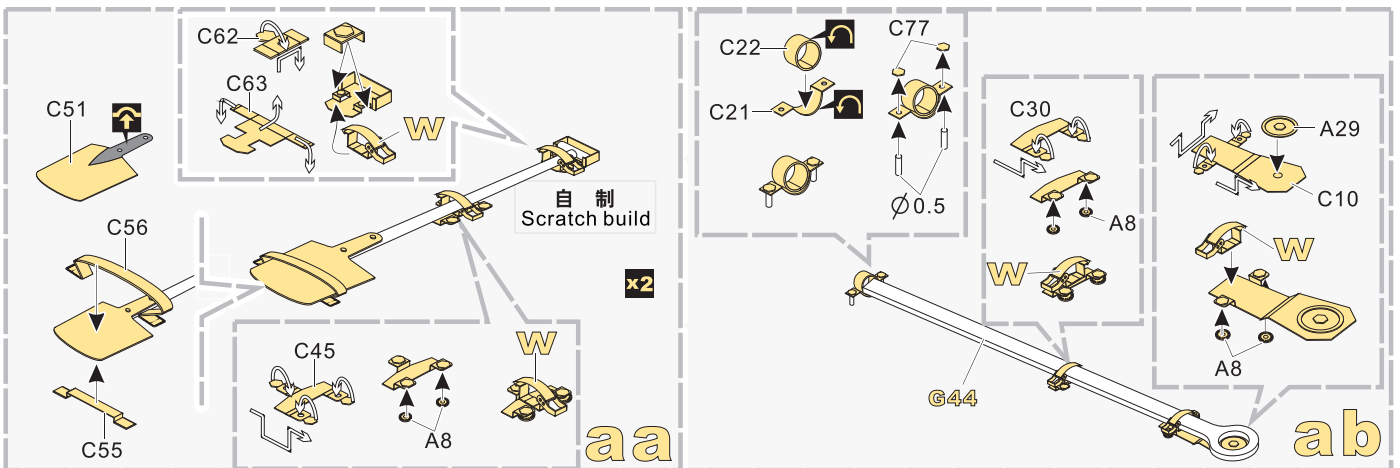
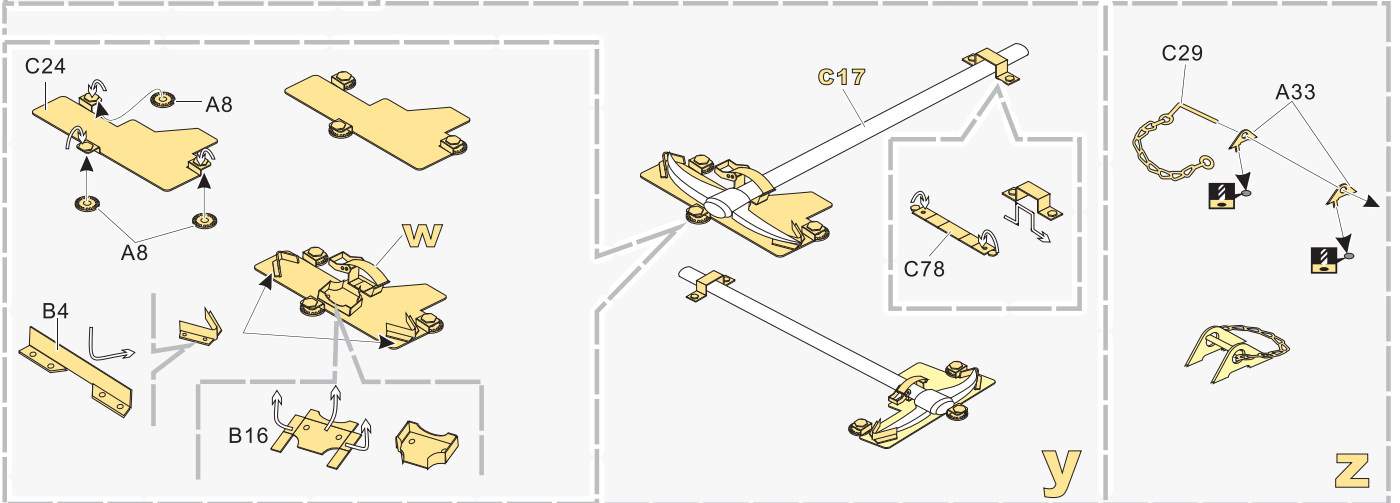
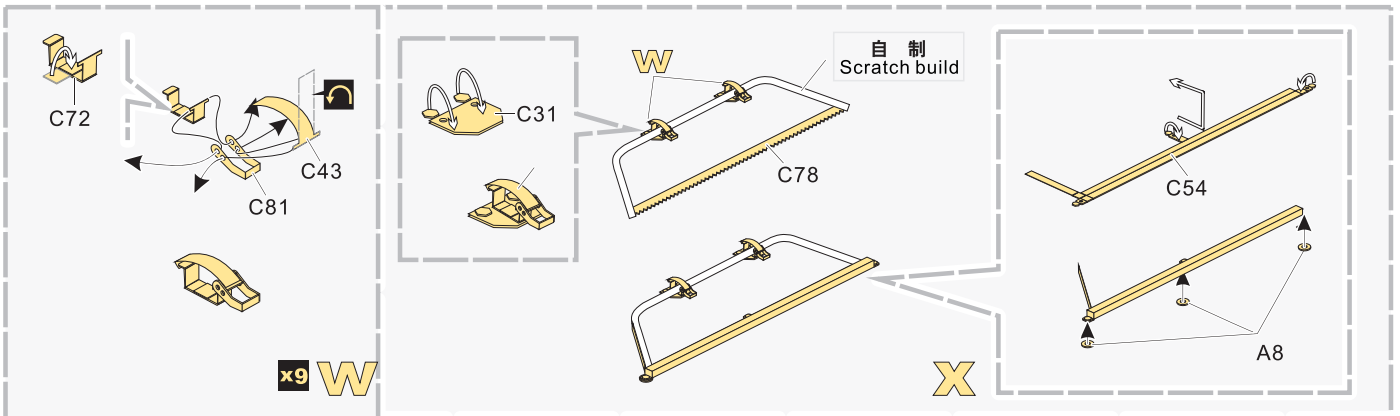
1/35 MILITARY MINIATURE VEHICLE UPGRADE SERIES PE351007



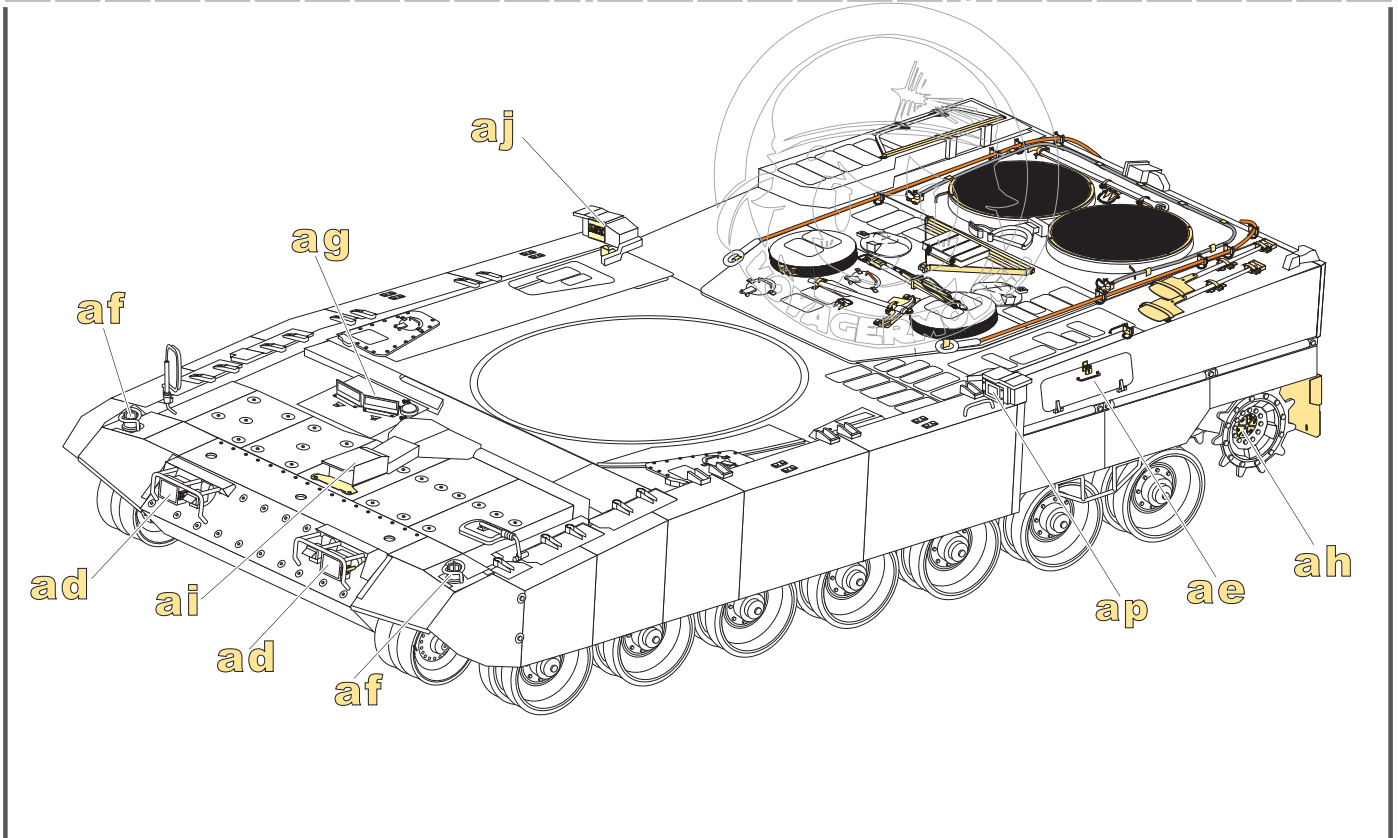
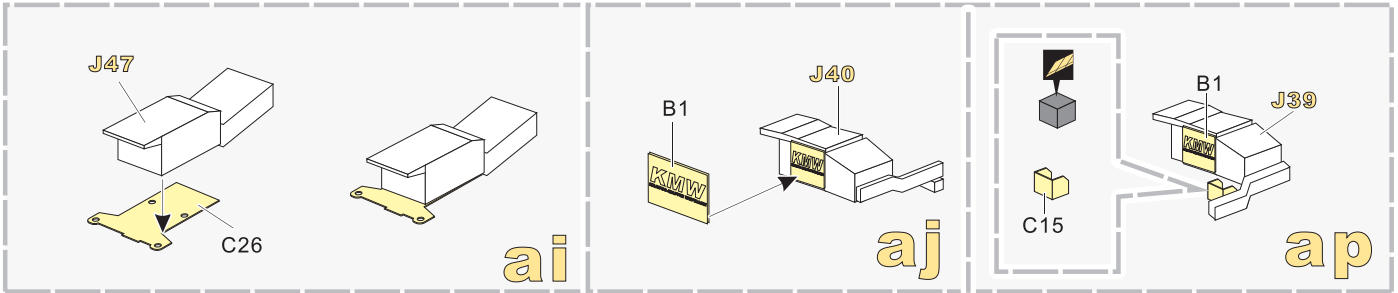
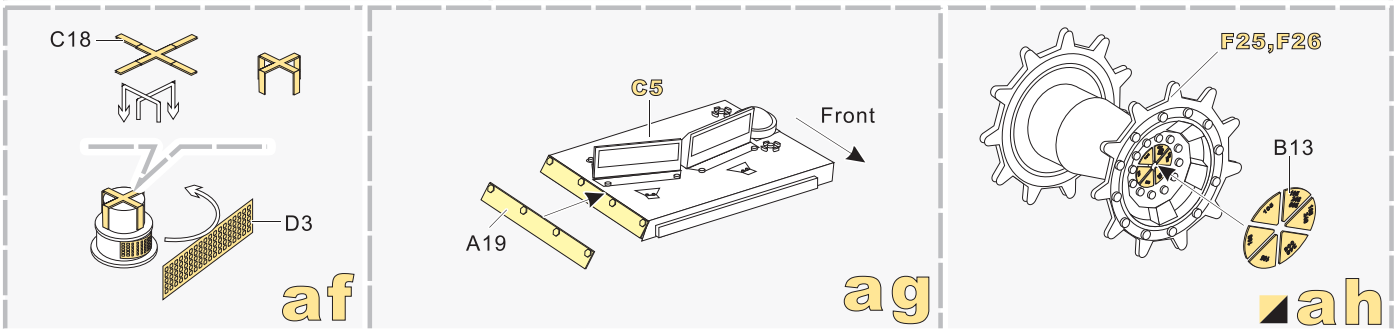
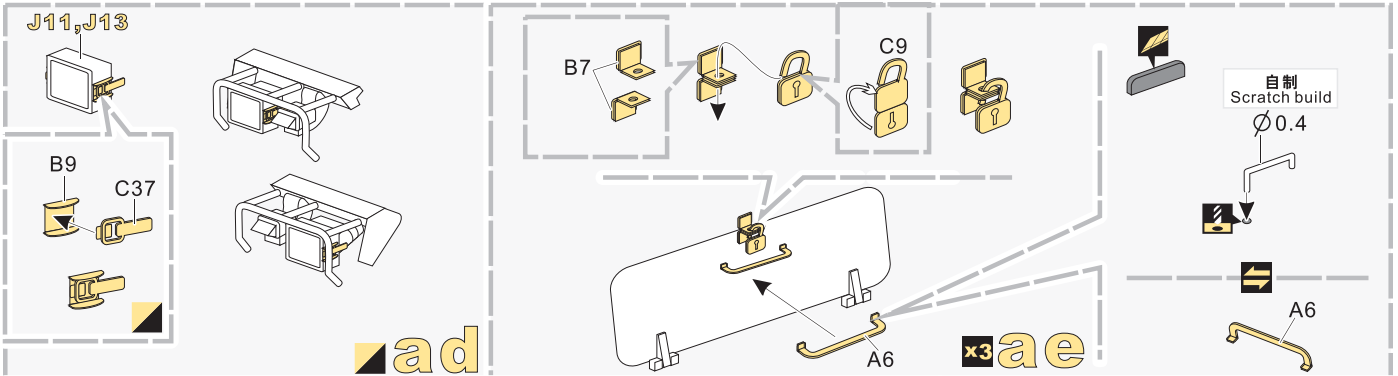
1/35 MILITARY MINIATURE VEHICLE UPGRADE SERIES PE351007



1/35 MILITARY MINIATURE VEHICLE UPGRADE SERIES PE351007



1/35 MILITARY MINIATURE VEHICLE UPGRADE SERIES PE351007



1/35 MILITARY MINIATURE VEHICLE UPGRADE SERIES PE351007

