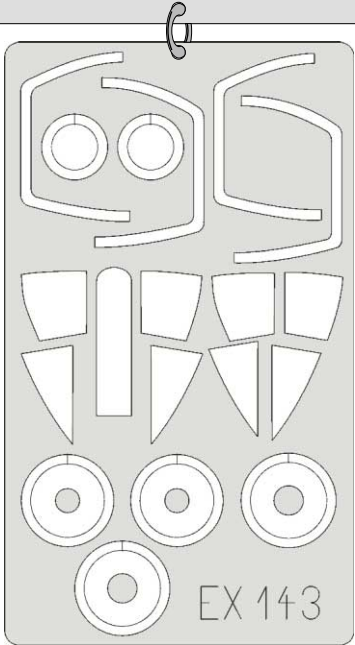


eduard
MASK

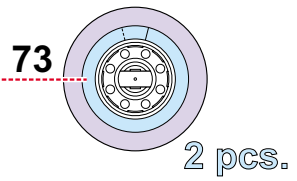
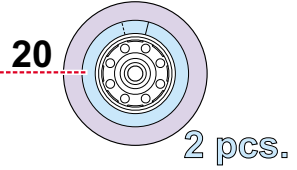
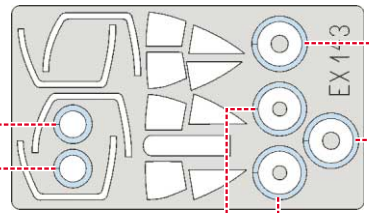
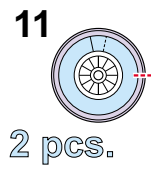
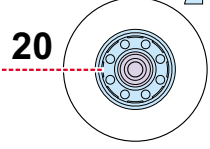
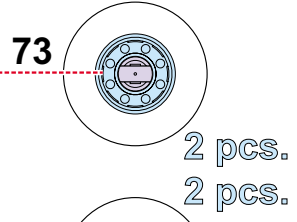
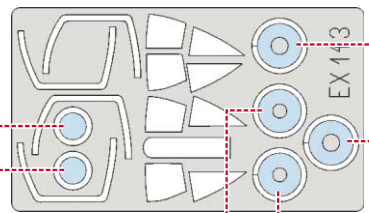
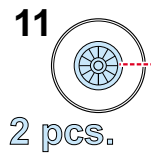
F-105D Thundershief 1/48

The die-cut mask for accurate canopy frame painting of the
Monogram scale 1/48 KIT

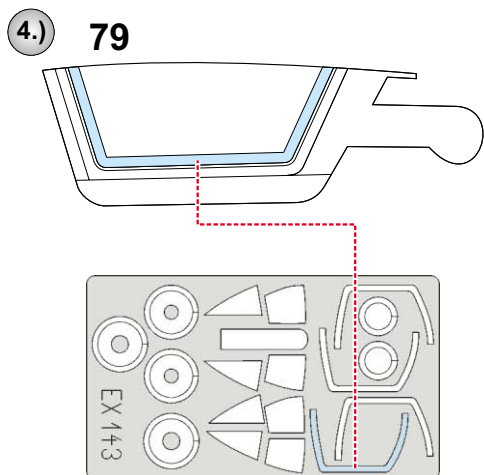
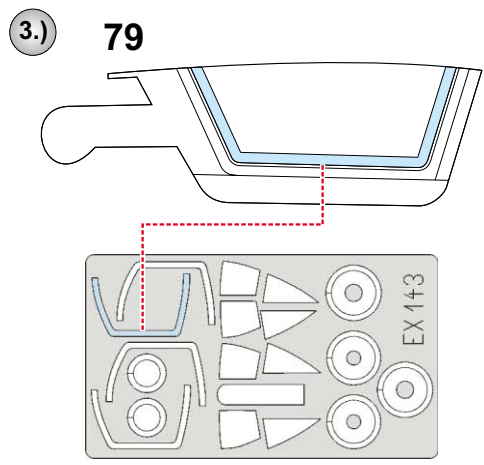
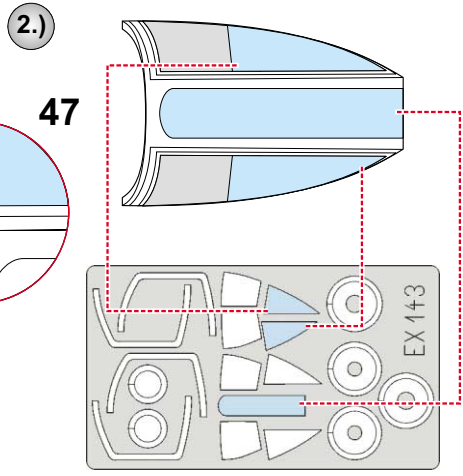
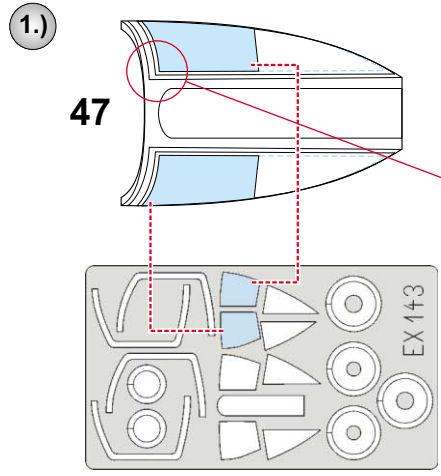
EX 143



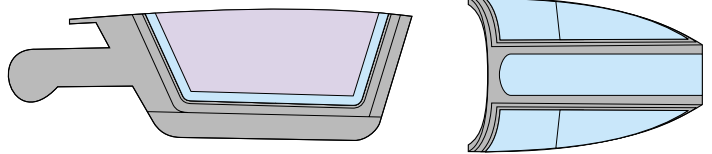
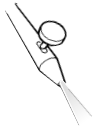
 - LIQUID MASK



 - LIQUID MASK



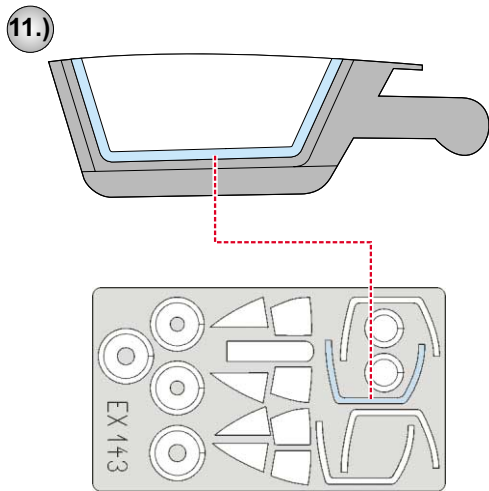
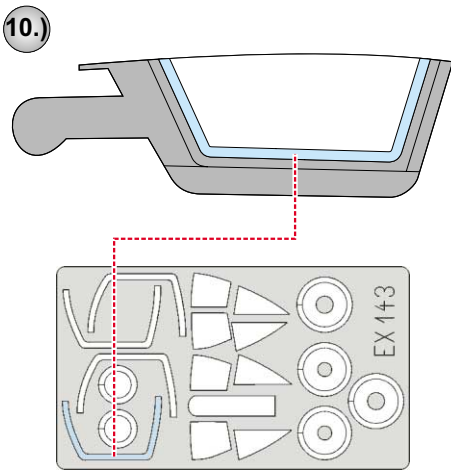
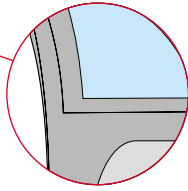
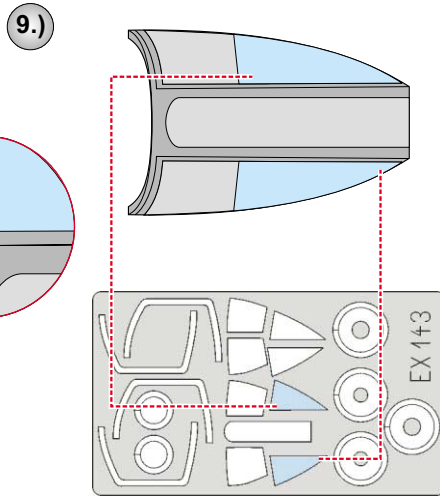
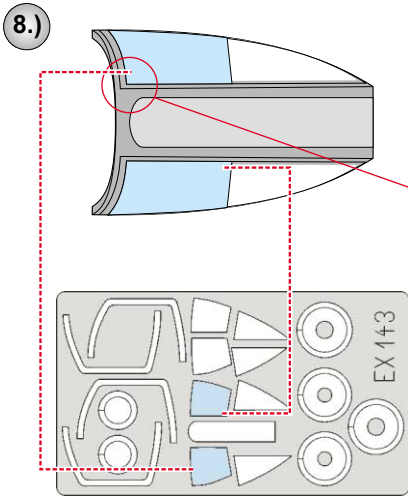
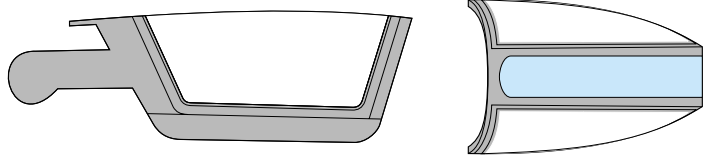
5.) INTERIOR COLOR



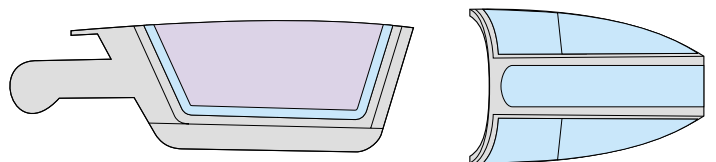
LIQUID MASK

6.) RUBBER COLOR

7.) REMOVE MASK



12.) CAMOUFLAGE COLOR



LIQUID MASK