

Bronco Models

Kit No. CB-35002

GERMAN 28CM SWURFGERAT 40 AUF G.W. H39

德軍H39 28CM SWURFGERAT 40 榴彈坦克



The Hotchkiss H39 was re-designed from her family H tank series for the French Army Cavalry tank in 1938-39. The H39 was armed with the longer L/33 gun and 120PS motor. Large number of this tank fell to German hand in 1940 invasion. Many of these H tank, after modification were issued to German units from 1941.

In 1943, some H39 were fitted with various type of launcher for the 28cm Wurfgerat 40, to increase offensive power in Normandy area.

法國霍爾吉斯廠製H39輕型騎兵坦克為同廠H系列坦克之最終型號，它的尺寸比H35略大，重量也增至12噸。火炮則換裝成長管身的SA-1938 37毫米砲。H39在二次大戰爆發初期約有800多輛在一線部隊中服役。德軍在攻佔法國後，由於急劇擴張極需大量裝備以供部隊使用，不得不從佔領國中就地取材，因此不少H系列坦克被編入德國部隊使用，但德軍對原本H39之法式設計有所意見，對其他作出修改以適己用，如加裝無線電及新式的指揮塔等。為增強火力，有部份駐守在法國諾曼第地區之H39坦克，德軍在坦克之兩側各加裝兩台28cm之w.k. Spr. 榴彈發射架對付盟軍部隊。

ILLUSTRATION 圖示說明：

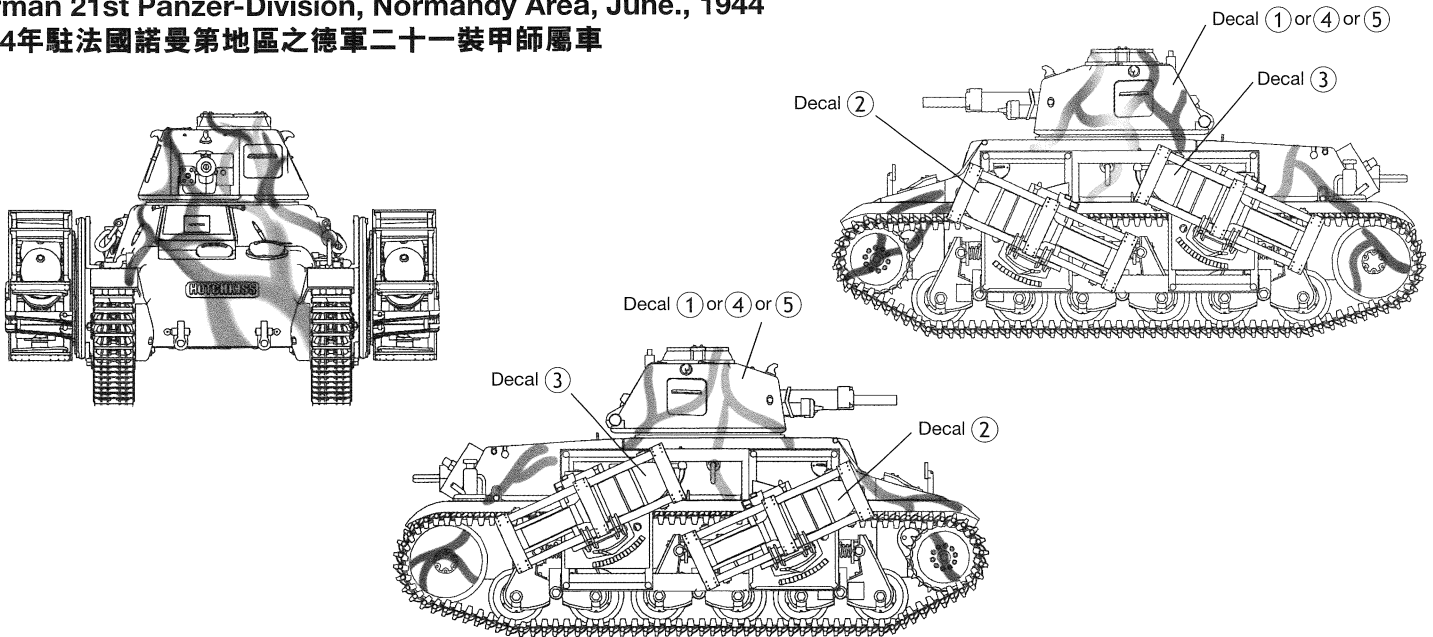
CORRECT METHOD FOR APPLYING DECALS 正確使用水貼紙方法：

1. Clean model parts surface with wet cloth.
將需要貼上水貼之部位表面擦乾淨。
2. Cut out the decal parts and dip them in cold water for 15~20 seconds.
將所需之貼紙剪下泡在清水裏約15至20秒。
3. Place it on correct position of the model kit.
將濕透之貼紙取出置放於正確之位置旁。
4. Slide off the decal from the base paper on to the model kit surface with a cotton stick.
用棉花棒輕推貼紙表面使其從底紙滑出至模型表面之正確位置。
5. When decal get dry then complete.
待其自然乾透後即完成。

ICON INSTRUCTION 圖標說明：



German 21st Panzer-Division, Normandy Area, June., 1944 1944年駐法國諾曼第地區之德軍二十一裝甲師屬車



- Colour: Overall Dark Yellow overspray with Dark Green

COLOR SUGGESTION 塗裝指引：

| Gunze Sangyo | Hobby Color | Gunze Sangyo | Hobby Color | Humbrol | Tamiya |
|------------------|-------------|--------------|-------------|---------|--------|
| RLM Grey | 藍灰 | H-69 | C-37 | / | XF-22 |
| Dark Yellow | 深黃 | H-313 | C-313 | / | XF-60 |
| Silver | 銀 | H-8 | J-8 | 11 | / |
| Flat White | 消光白 | H-11 | C-62 | 34 | XF-2 |
| Dark Green | 深綠 | H-36 | C-17 | / | XF-61 |
| Tire Black | 車軌黑 | H-77 | C-137 | 85 | XF-1 |
| Steel | 黑鐵 | H-18 | C-28 | 53 | / |
| Semi-Gloss Black | 半光黑 | / | C-82 | / | / |
| Burnt Iron | 燒鐵色 | H-76 | C-61 | / | / |
| Wood Brown | 木啡色 | H-37 | C-43 | / | / |

READ BEFORE ASSEMBLING

- Carefully Study instruction before assembling. 組裝前請閱讀清楚製作指引。
- Keep plastic model glue and tools away from children. 膠水, 油漆及工具勿讓小孩接觸。
- Do not use cement or paint near open flame or sparks. 膠水及油漆勿接觸火種。
- Do not work in closed room. 勿在密封地方製作模型。

PARTS LIST 零件展示表：

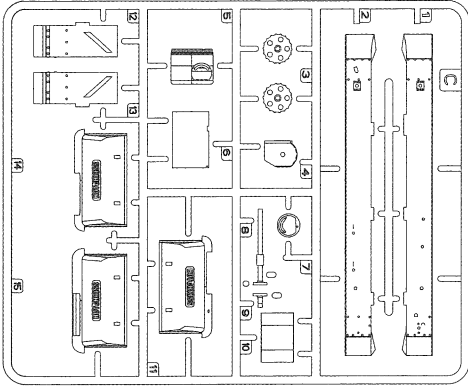


Bronco Models

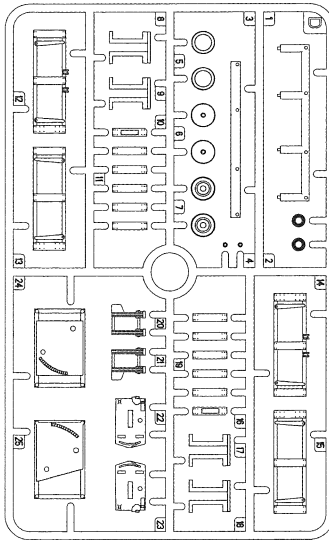
Copyright©2005

Made in China
中國製造

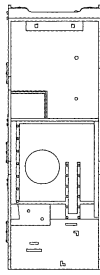
C x1



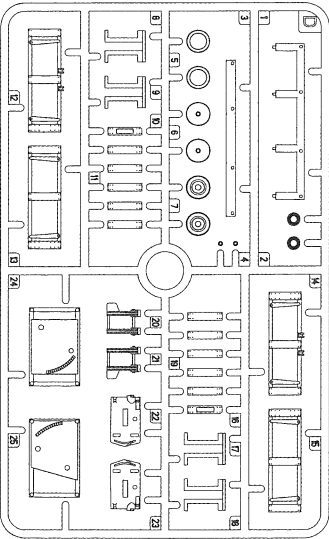
D2 x1



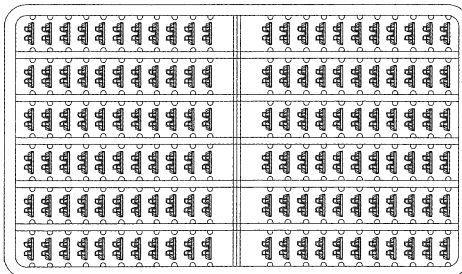
G x1



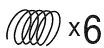
D1 x1



F x2



x1

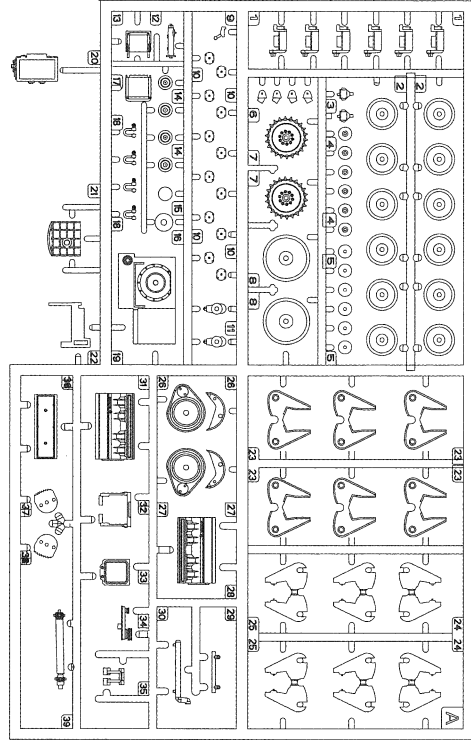


x6

M x1



A x1



B x1

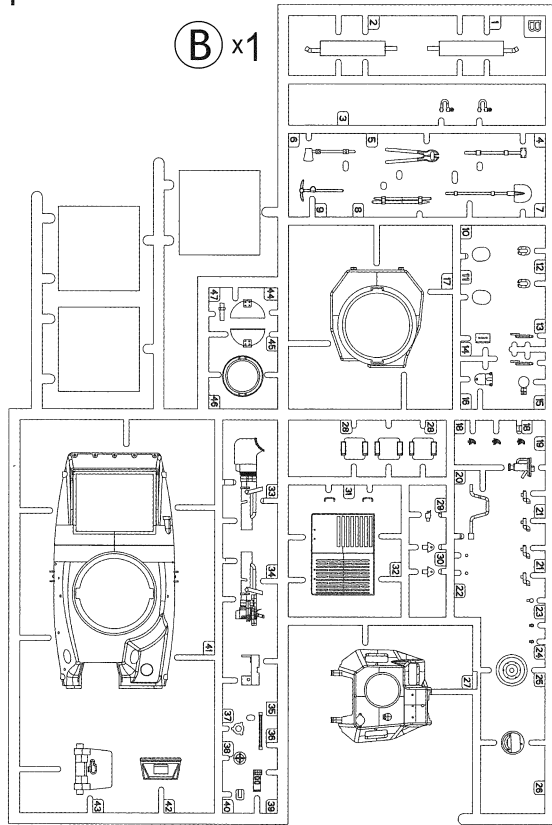
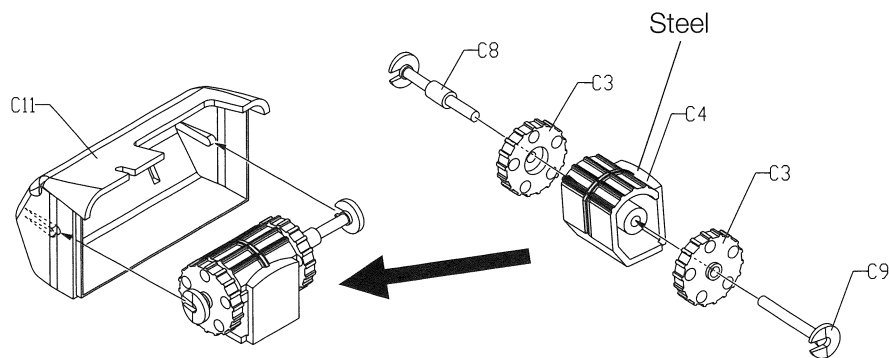
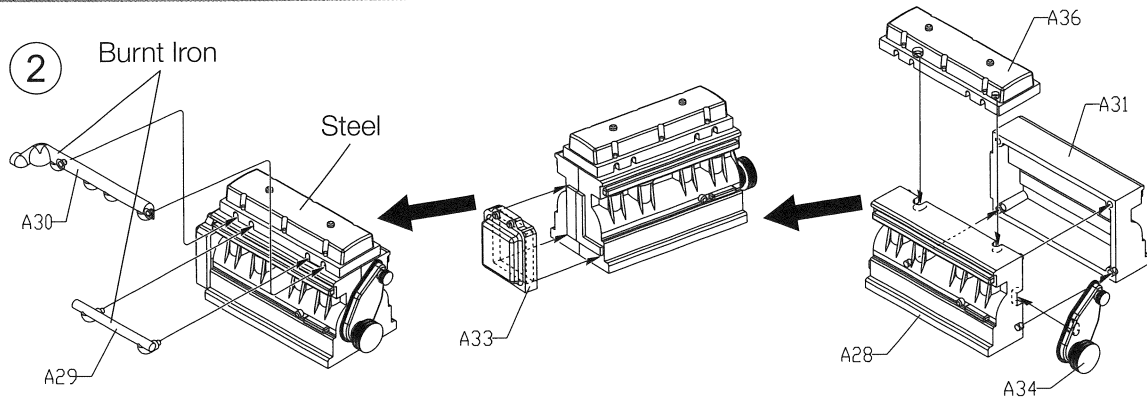


ILLUSTRATION 圖示說明：

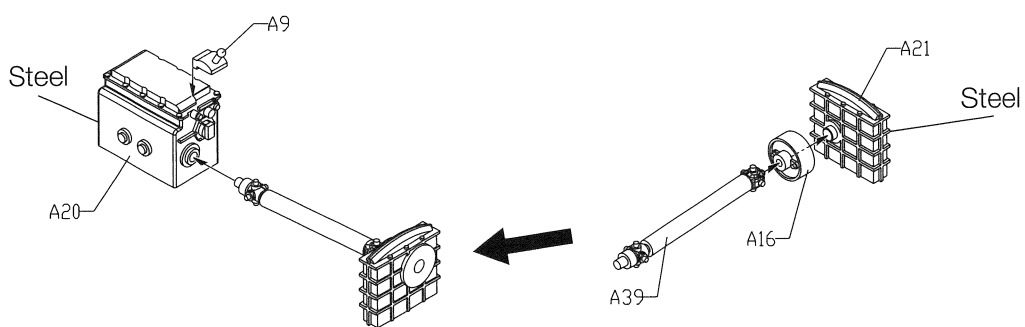
1



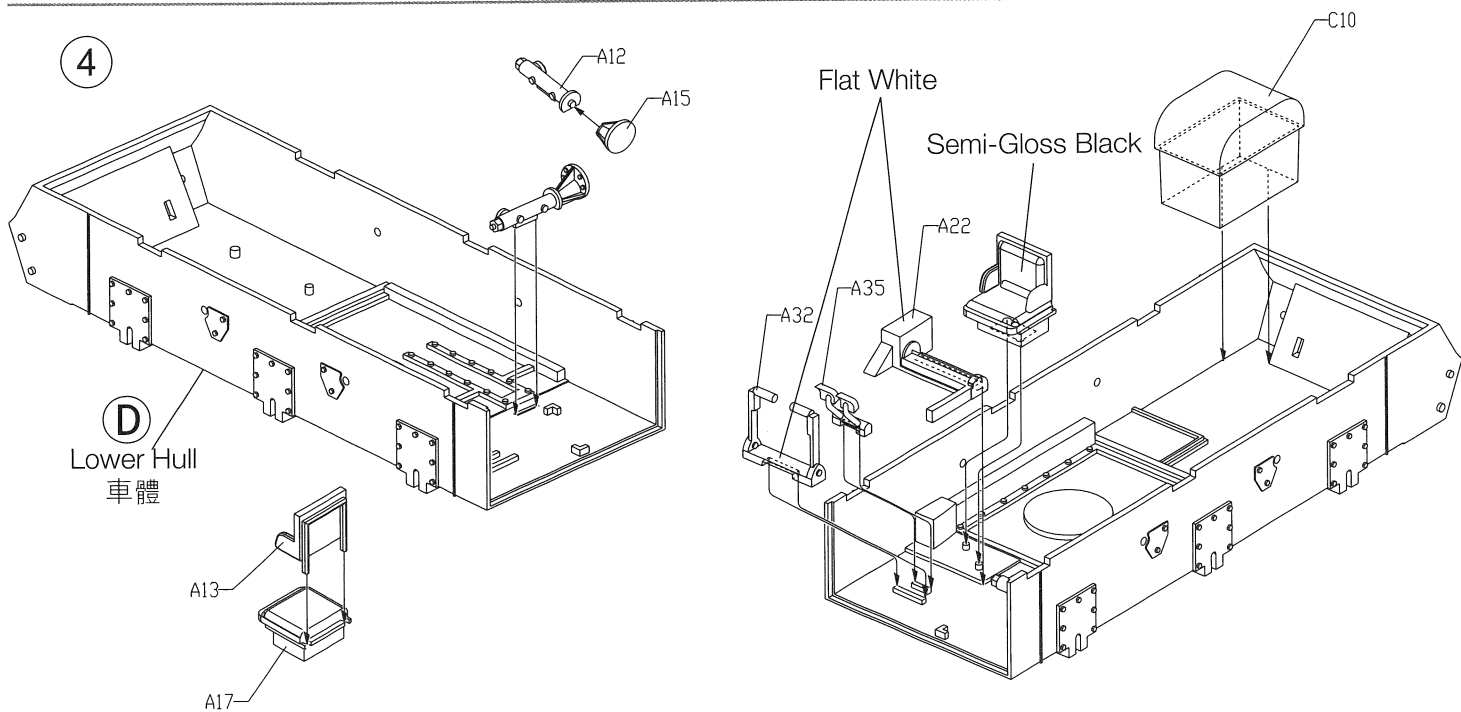
2



3



4



⑤ 車內組合：

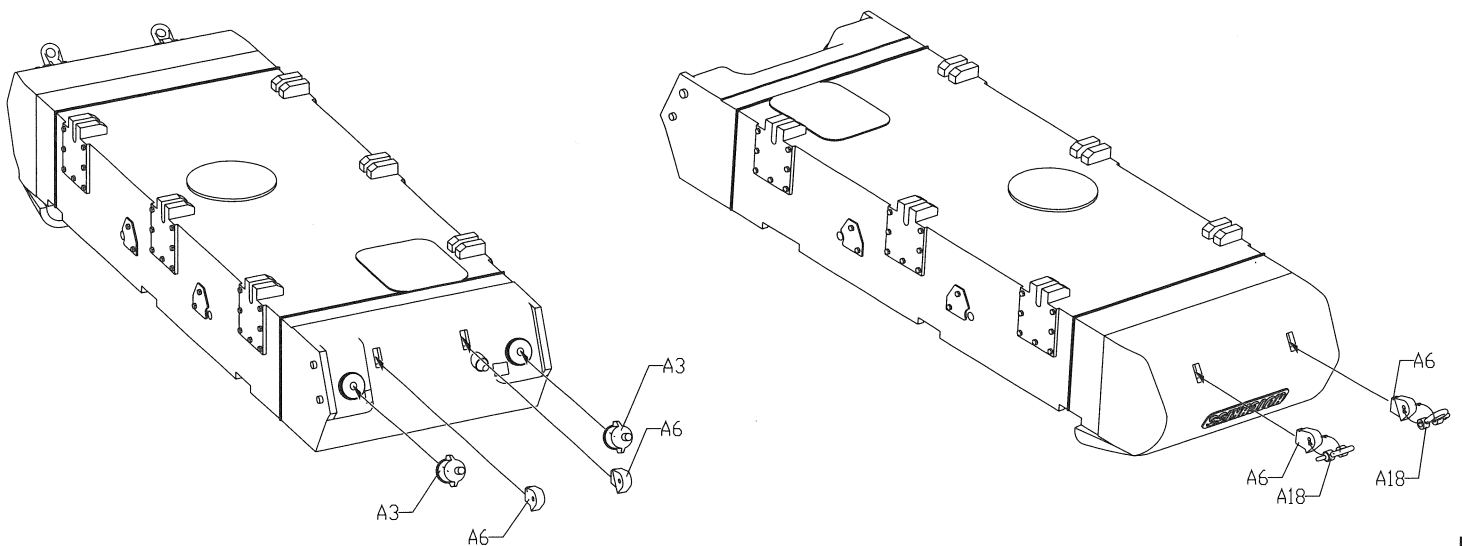
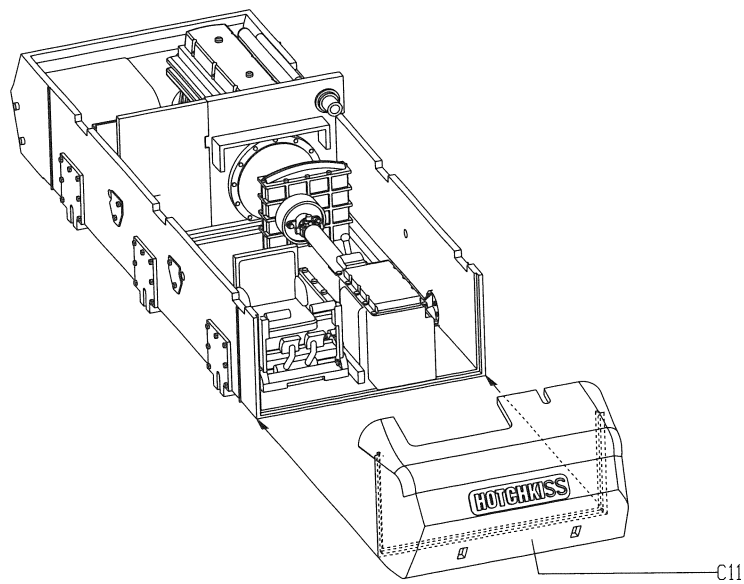
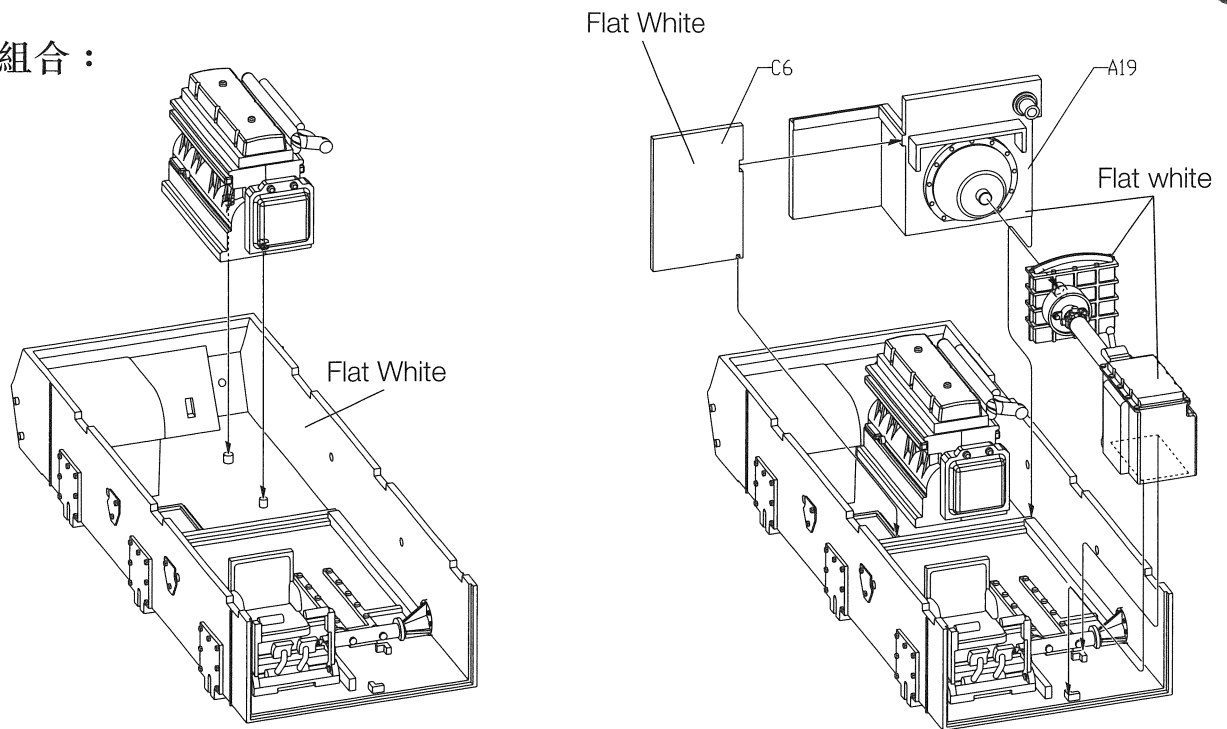
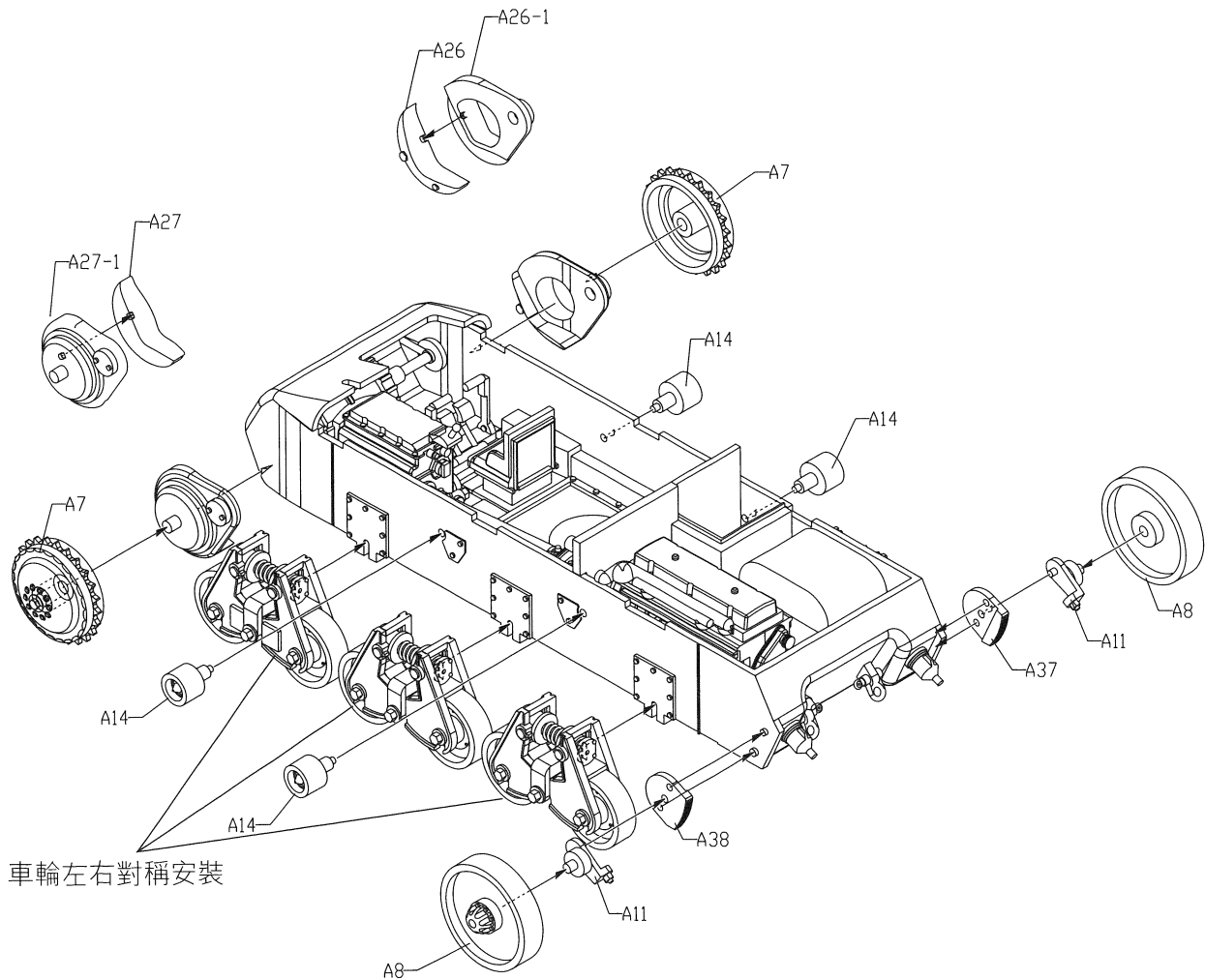
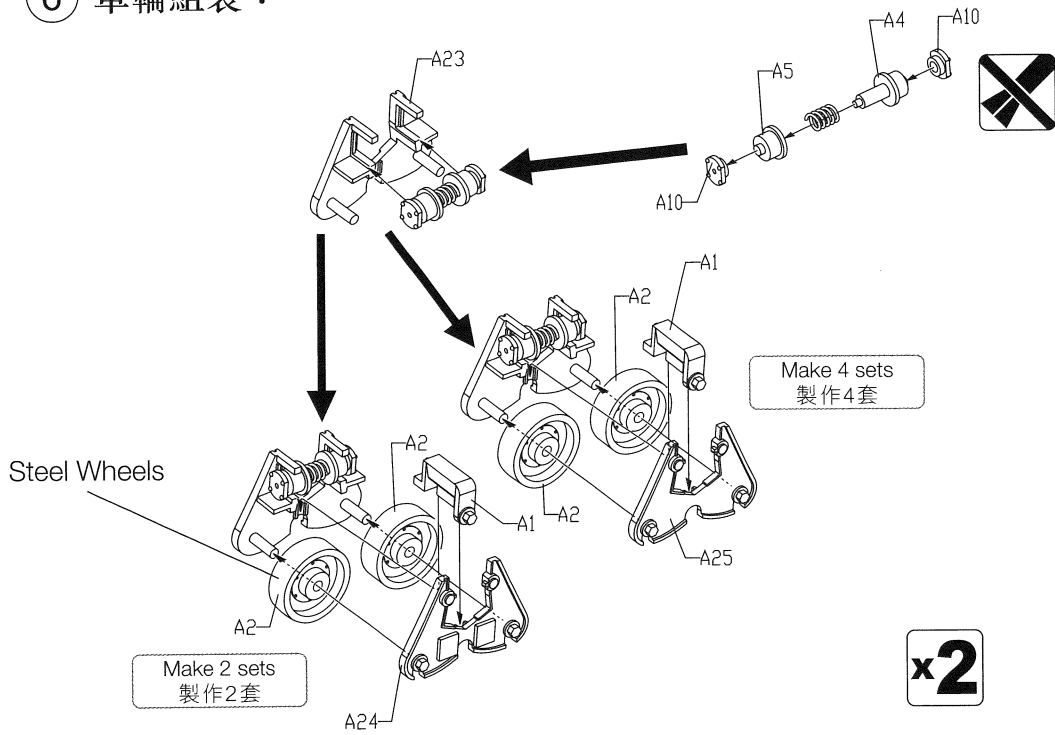
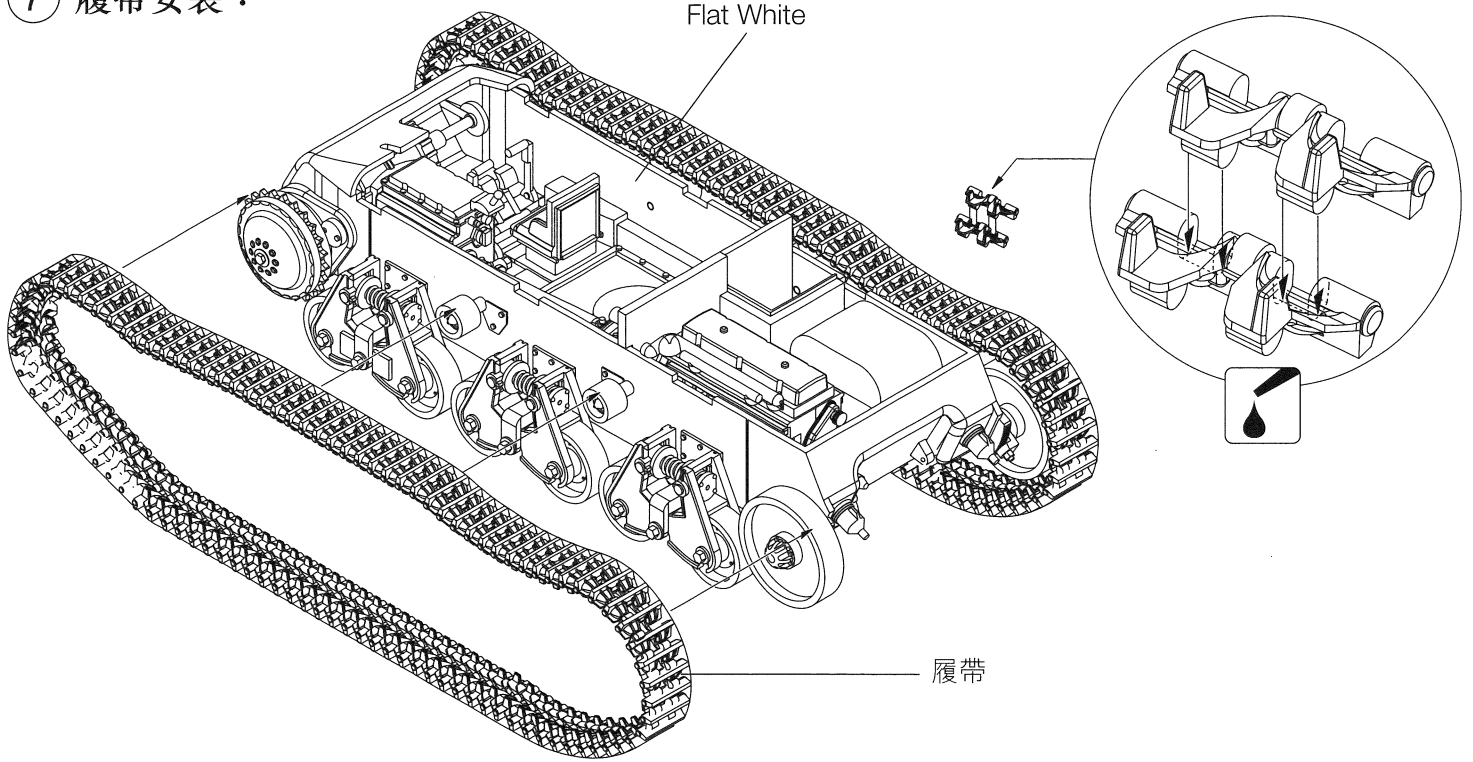


ILLUSTRATION 圖示說明：

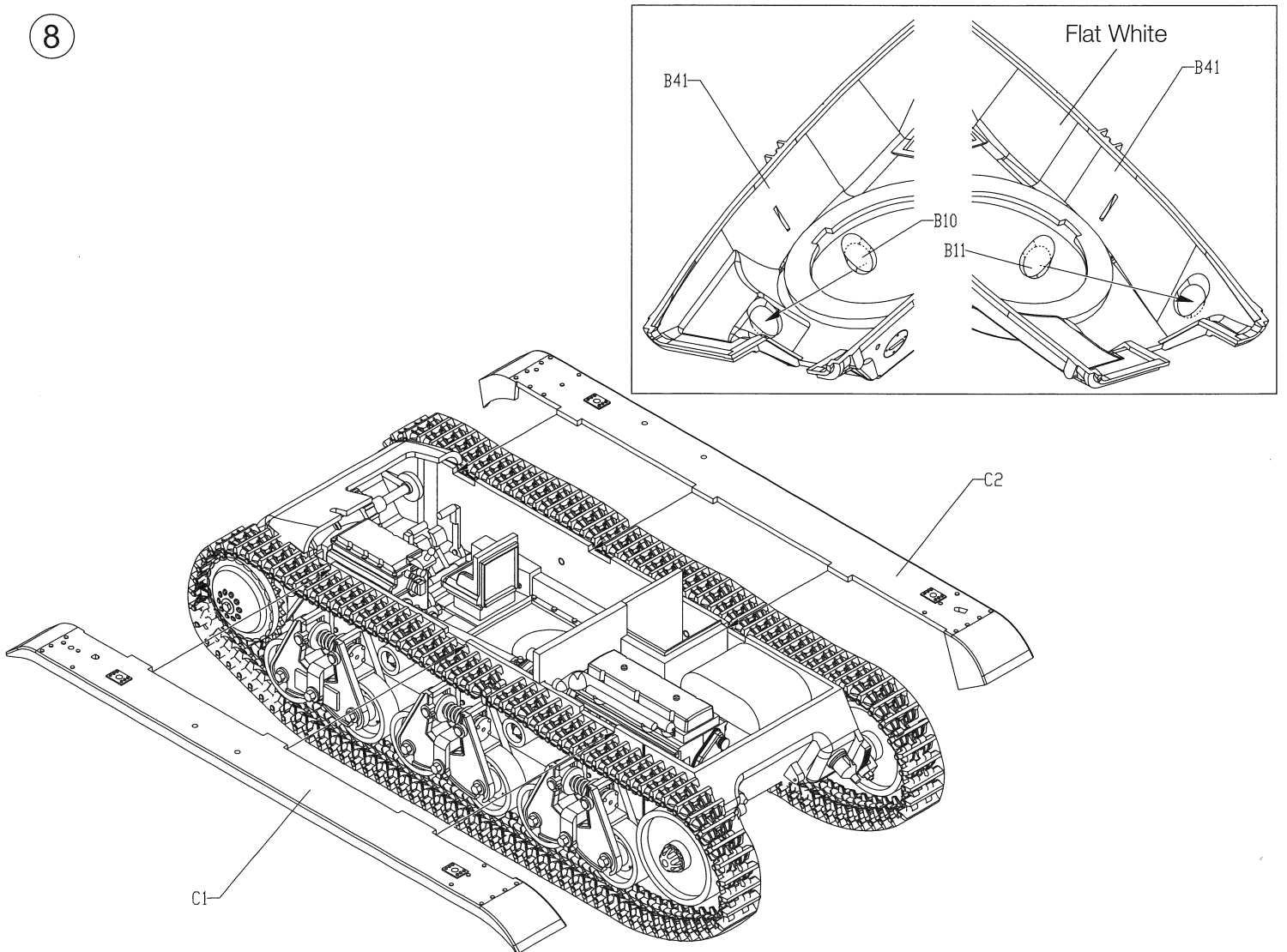
⑥ 車輪組裝：



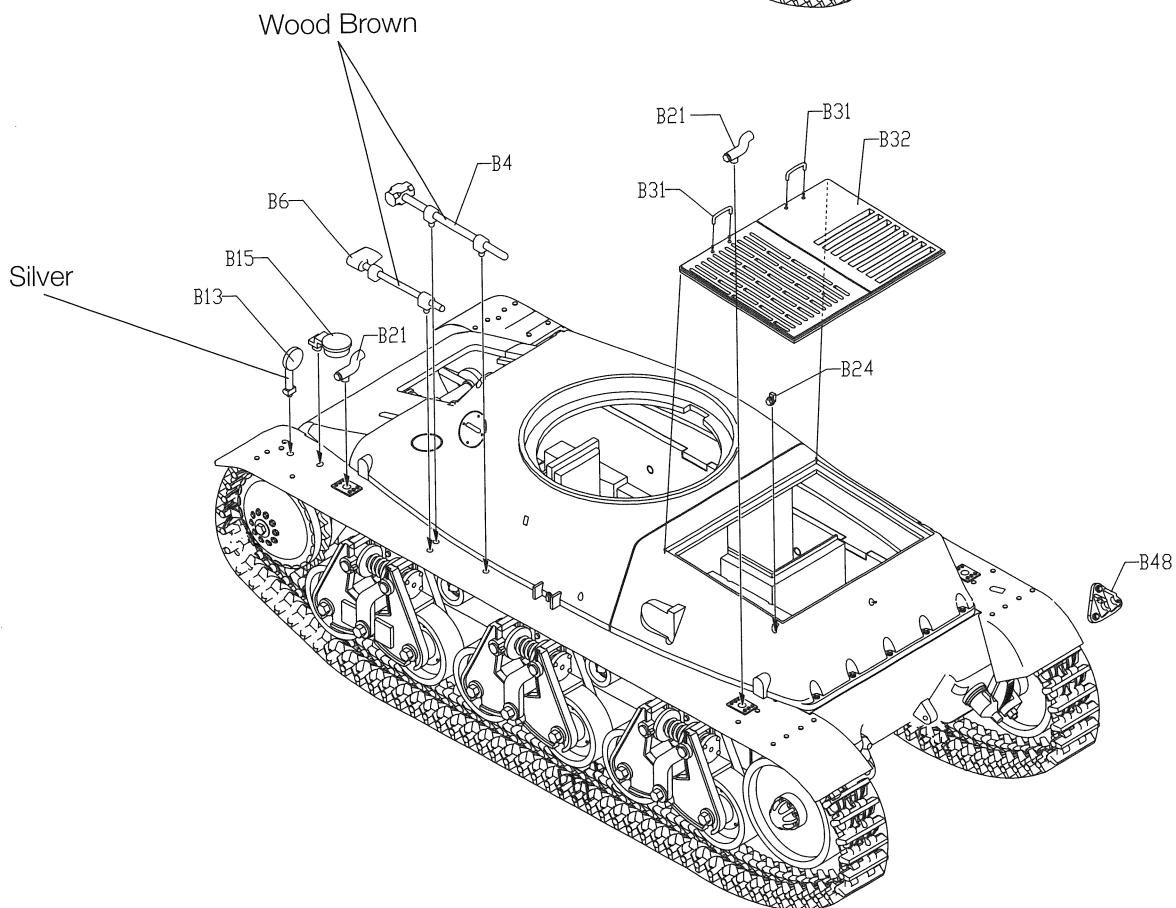
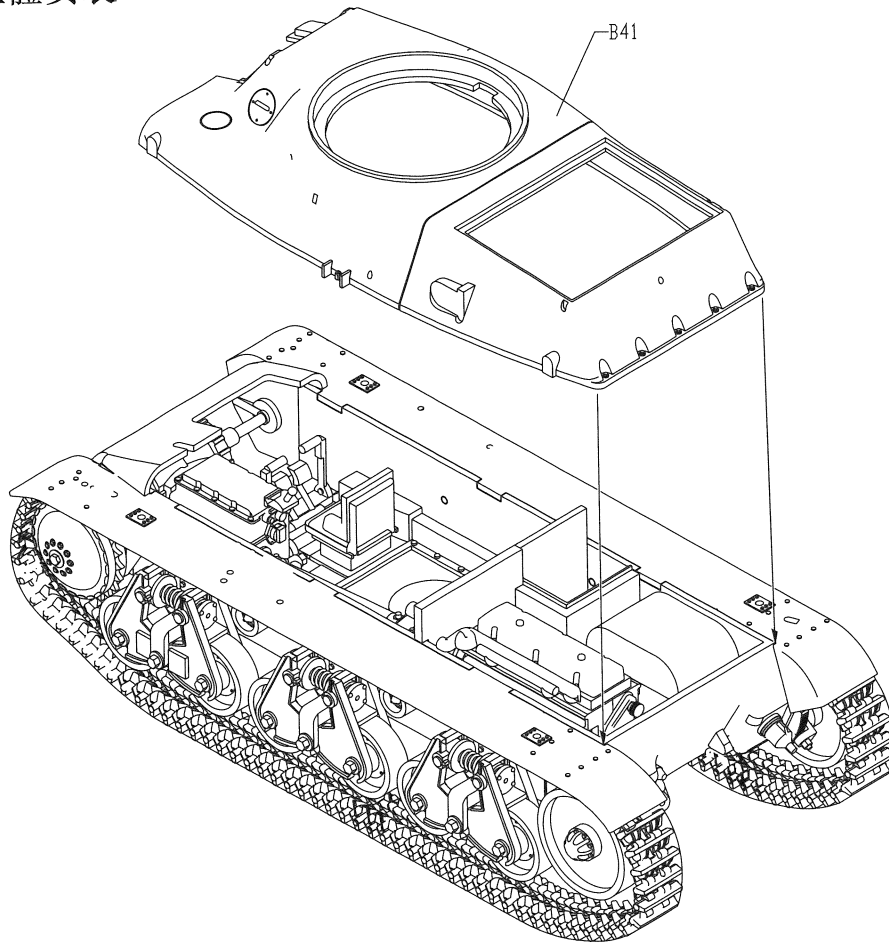
7 履帶安裝：



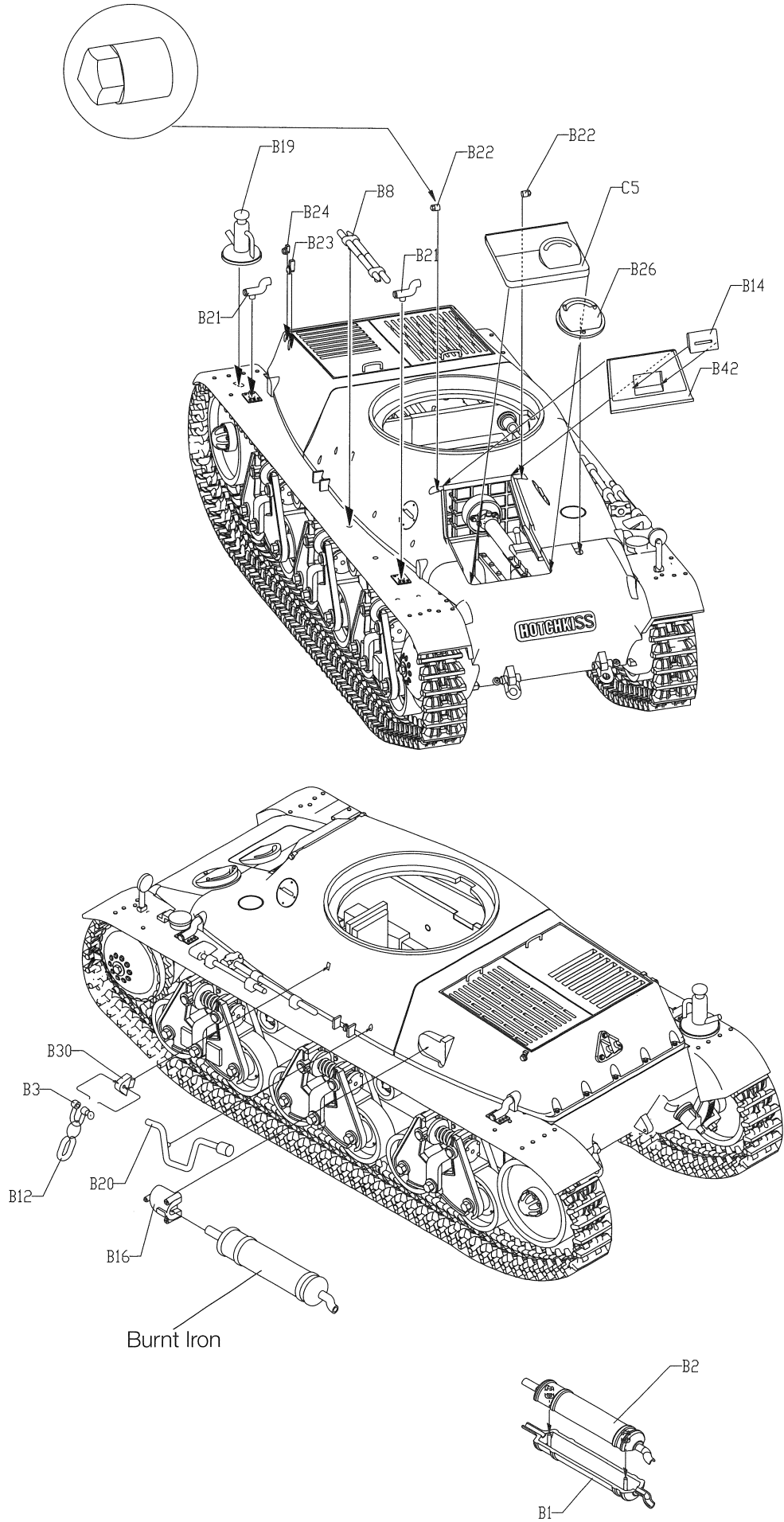
8



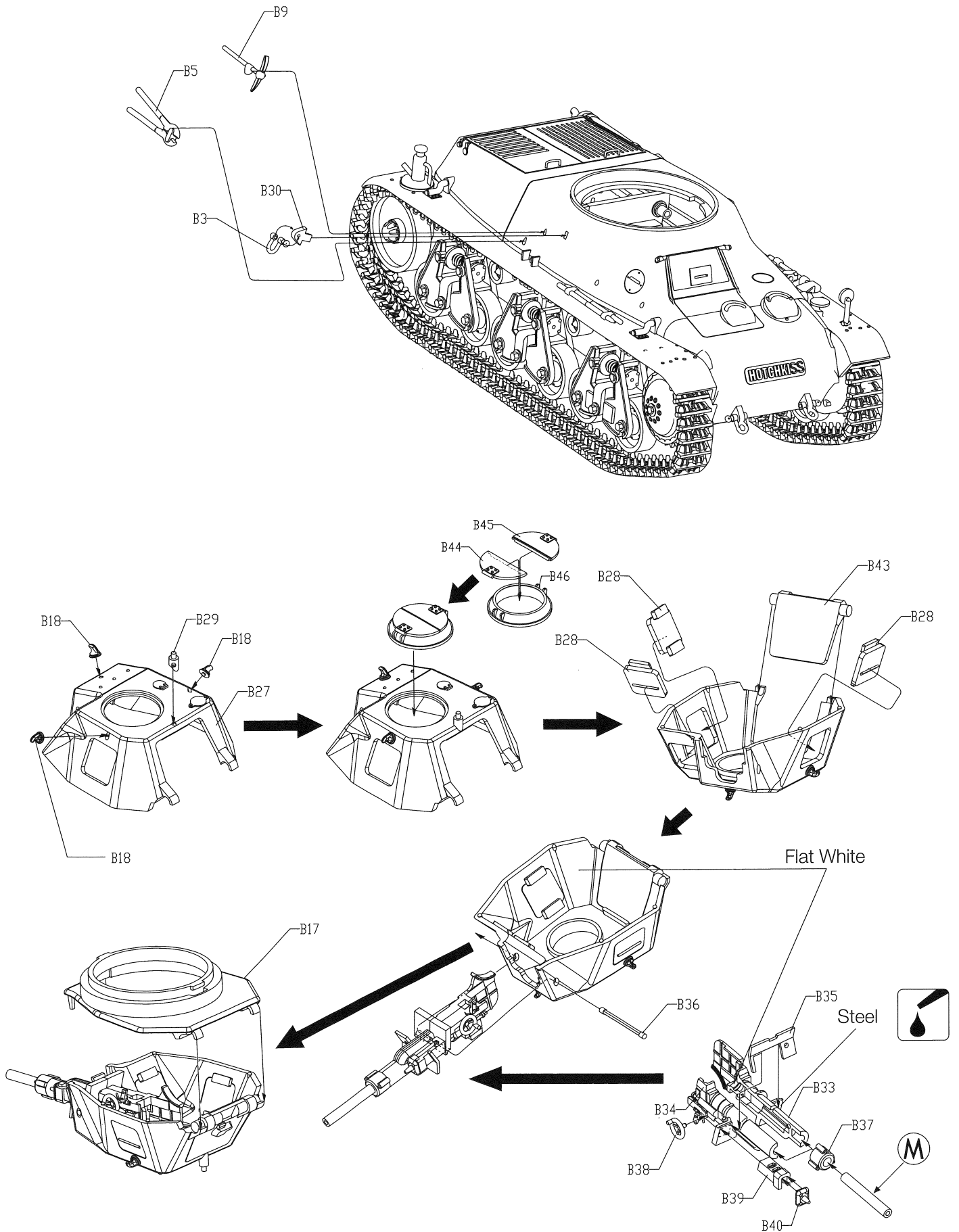
⑨ 主體安裝：



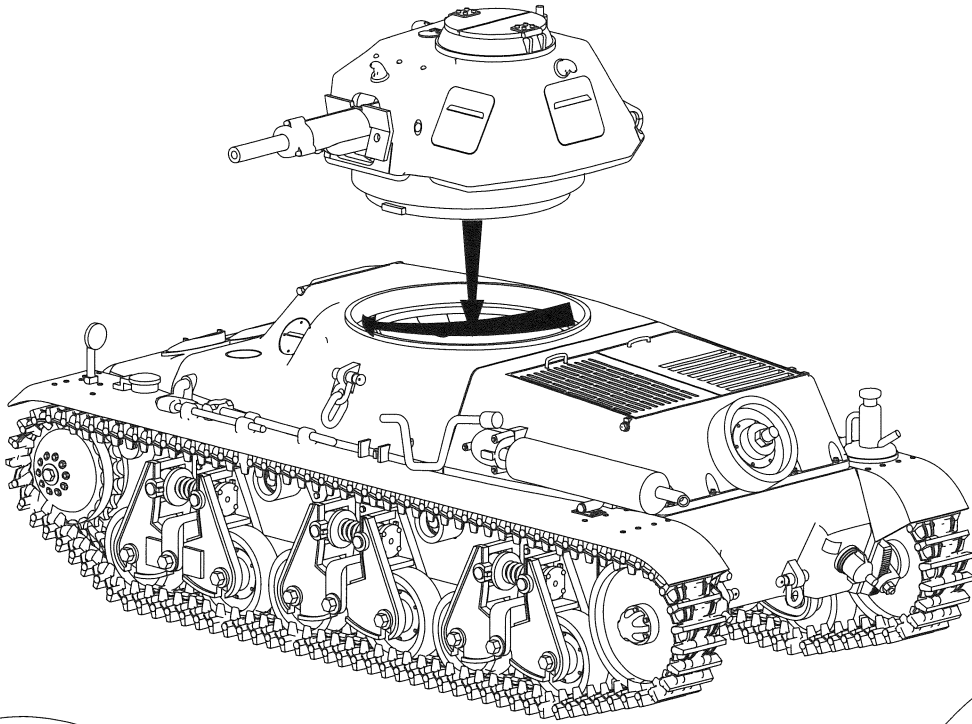
10



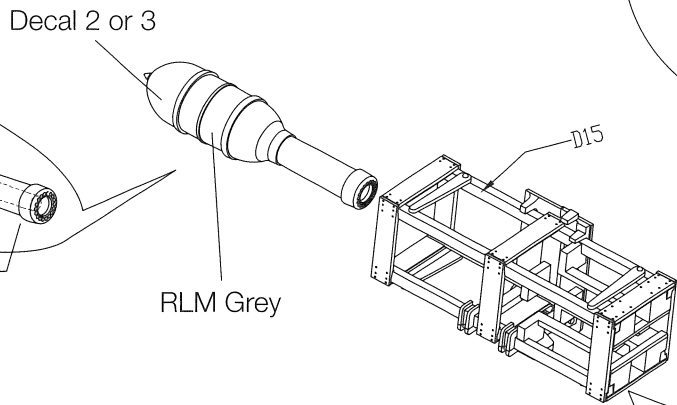
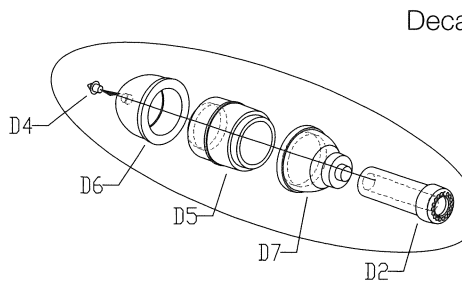
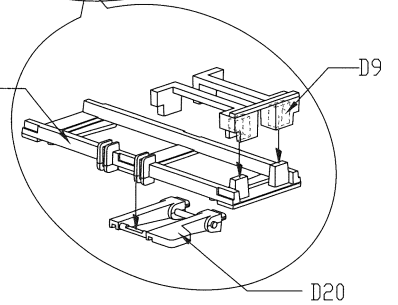
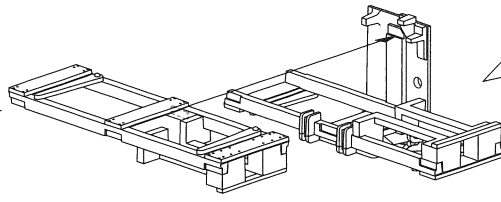
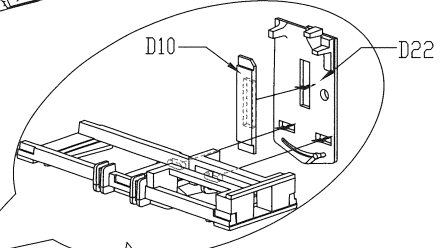
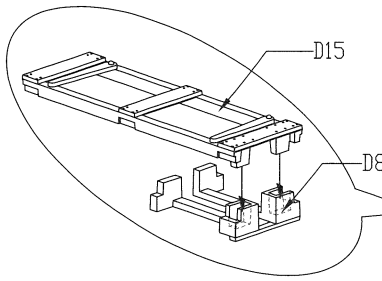
⑪ 炮塔安裝：



12

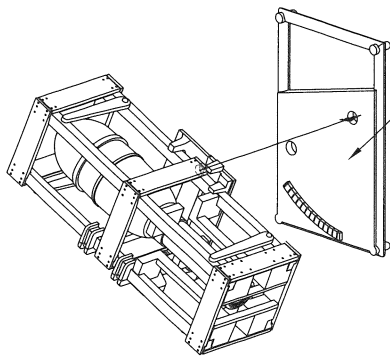


x2

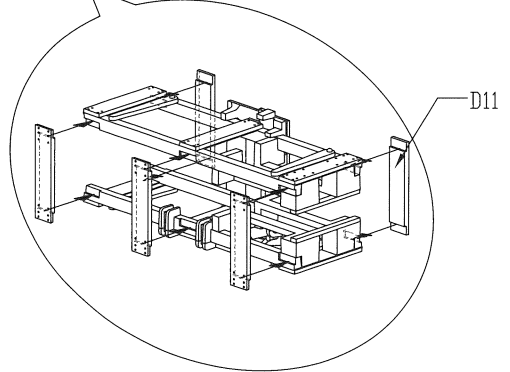
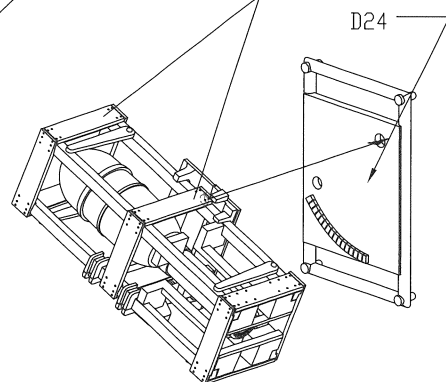


Decal 2 or 3

RLM Grey



Wood Brown



13

x2

