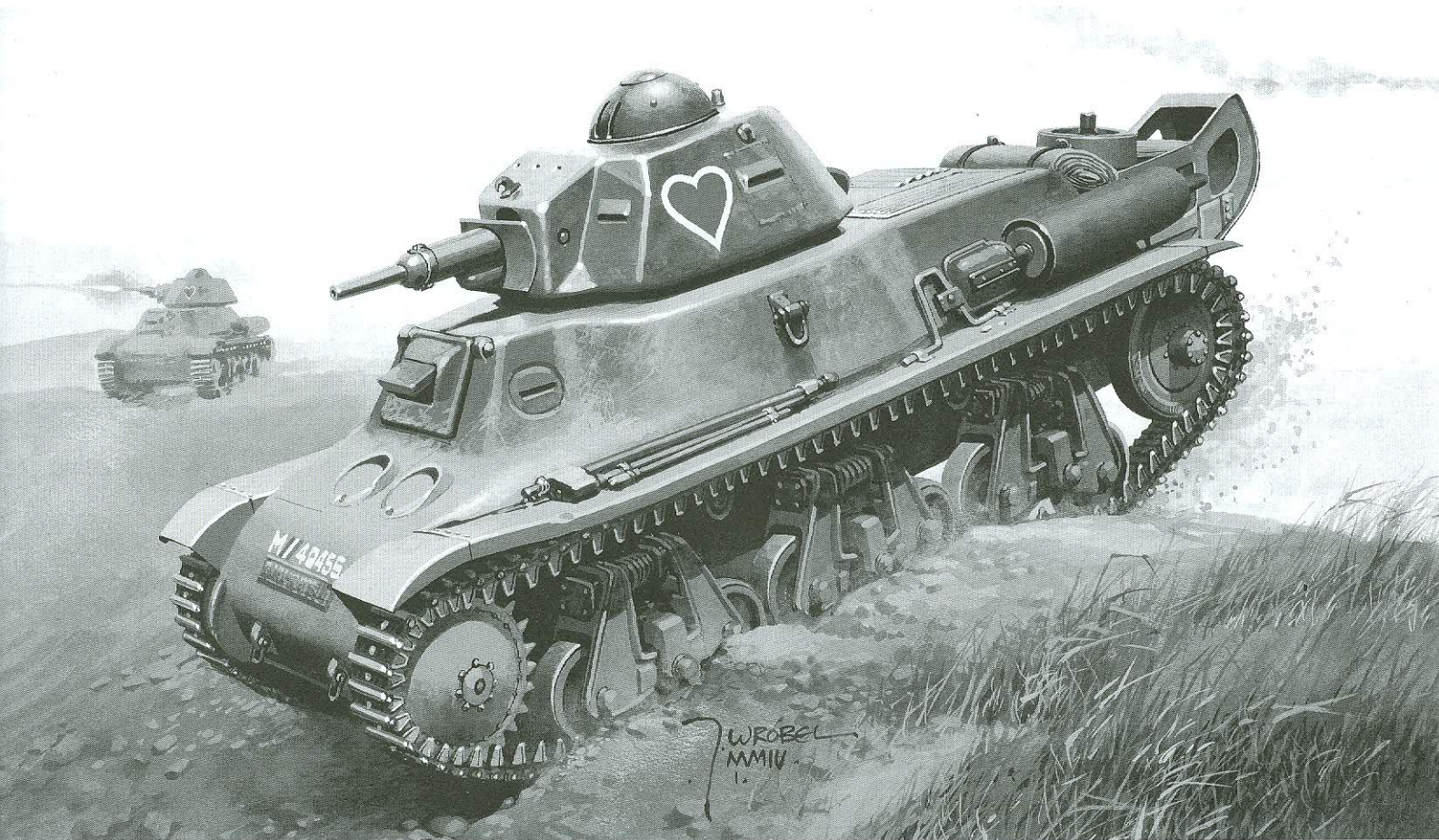


Bronco Models

FRENCH H39 HOTCHKISS LIGHT TANK 法軍H39霍爾吉斯輕坦克



The Hotchkiss H39 was re-designed from her family H tank series for the French Army Cavalry tank in 1938~39. The H39 was armed with the longer L/33 gun and 120PS motor. Large number of this tank fell to German hand in 1940 invasion. Many of these H tank, after modification were issued to German units from 1941.

After W.W. II, a small number of these H39 were purchase by Israeli force from France under murky circumstances. They were employed by the "Russian Company" of the 82nd Tank

Battalion during the capture of Lydda airbase in 1948. The H39 just serviced in Israeli force very short time and replaced by other US & British made powerful tank.

法國霍爾吉斯廠製H39輕型騎兵坦克為同廠H系列坦克之最終型號，它的尺寸比H35略大，重量也增至12噸。火炮則換裝成長管身的SA-1938 37毫米砲。H39在二次大戰爆發初期約有800多輛在一線部隊中服役。德軍在攻佔法國後，由於急劇擴張極需大量裝備以供部隊使用，不得不從佔領國中就地取材，因此不少H系列坦克被編入德國部隊使用，但德軍對原本H39之法式設計有所意見，對其他作出修改以適己用，如加裝無線電及新式的指揮塔等。大戰後，以色列在立國戰爭初期，由於武器及物質極之缺乏，急需裝甲車輛以增強實力，通過某些途徑獲得10輛H39坦克供其82坦克營之俄語坦克連使用，但H39在以國陸軍只服役了很短時間而為其他性能較佳之坦克所替代。

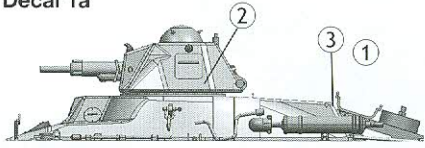
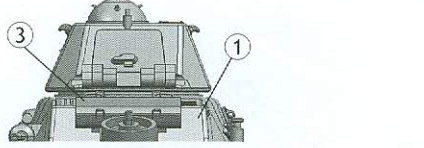
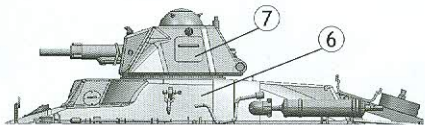
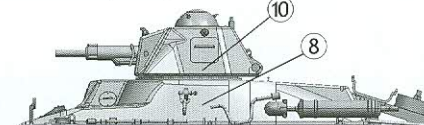
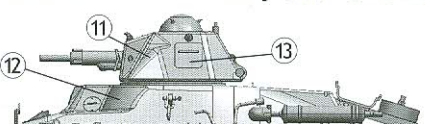
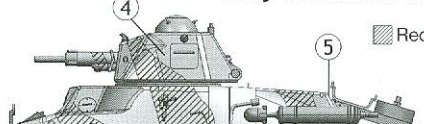
ILLUSTRATION 圖示說明：

CORRECT METHOD FOR APPLYING DECALS 正確使用水貼紙方法：

1. Clean model parts surface with wet cloth.
將需要貼上水貼之部位表面擦乾淨。
2. Cut out the decal parts and dip them in cold water for 15 ~20 seconds.
將所需之貼紙剪下泡在清水裏約15至20秒。
3. Place it on correct position of the model kit.
將濕透之貼紙取出置放於正確之位置旁。
4. Slide off the decal from the base paper on to the model kit surface with a cotton stick.
用棉花棒輕推貼紙表面使其從底紙滑出至模型表面之正確位置。
5. When decal get dry then complete.
待其自然乾透後即完成。

ICON INSTRUCTION 圖標說明：



<p>Decal 1a</p>  <p>• Hotchkiss 39H Light tank, 25e BCC, 1ere DCR, France 1940</p>	<p>Decal 1b</p>  <p>• Hotchkiss 39H Light tank, 25e BCC, 1ere DCR, France 1940</p>	Body Color: Olive Drab
<p>Decal 2a</p>  <p>• Hotchkiss 39H Light tank, 211 Panzerabteilung, Finland 1942</p>	<p>Decal 2b(Part I)</p>  <p>• Hotchkiss 39H Light tank, 7th SS-Freiwilligen Division "Prinz Eugen" Norway 1943</p>	Decal 2b(Part II) Body Color: Flat White
<p>Decal 3a</p>  <p>• Hotchkiss 39H Light tank, Russian Company, 82nd Armored Battalion, Israeli Army, 1948</p>	<p>Decal 3b</p>  <p>• Hotchkiss 39H Light tank, 57, 7e Cuir France 1940</p>	Body Color: Olive Drab Body Color: Dark Green

COLOR SUGGESTION 塗裝指引：

Gunze Sangyo	Hobby Color	Gunze Sangyo	Hobby Color	Humbrol	Tamiya
Red Brown	紅褐	H-47	C-41	160	XF-64
German Gray	德國灰	H-32	C-40	92	XF--63
Silver	銀	H-8	J-8	11	
Flat White	消光白	H-11	C-62	34	XF-2
Olive Drab	橄欖褐	H-78	C-38	66	XF-62
Dark Green	深綠				XF-61
Tire Black	輪黑	H-77	C-137	85	XF-1
Steel	黑鐵	H-18	C-28	53	
Semi-Gloss Black			C-82		
Burnt Iron	燒鐵色	H-76	C-61		
Wood Brown	木啡色	H-37	C-43		

READ BEFORE ASSEMBLING

- Carefully Study instruction before assembling. 組裝前請閱讀清楚製作指引。
- Keep plastic model glue and tools away from children. 膠水、油漆及工具勿讓小孩接觸。
- Do not use cement or paint near open flame or sparks. 膠水及油漆勿接觸火種。
- Do not work in closed room. 勿在密封地方製作模型。

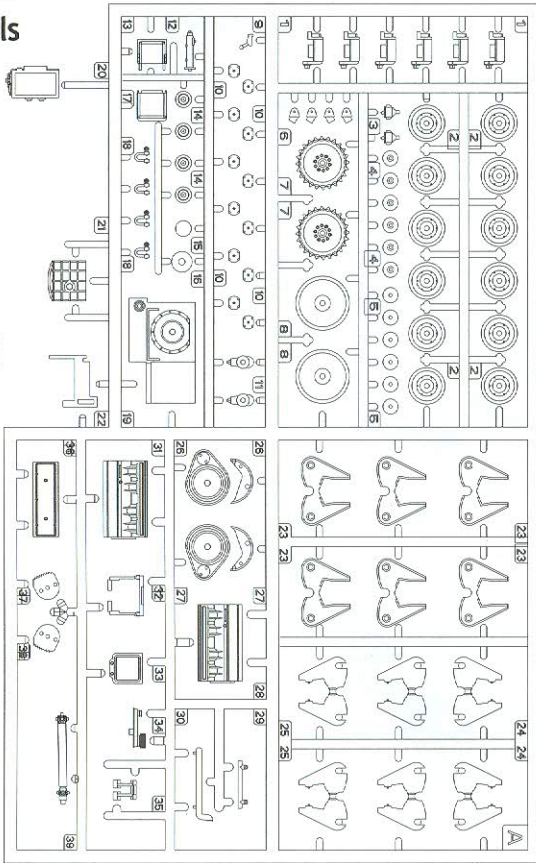
PARTS LIST 零件展示表 :



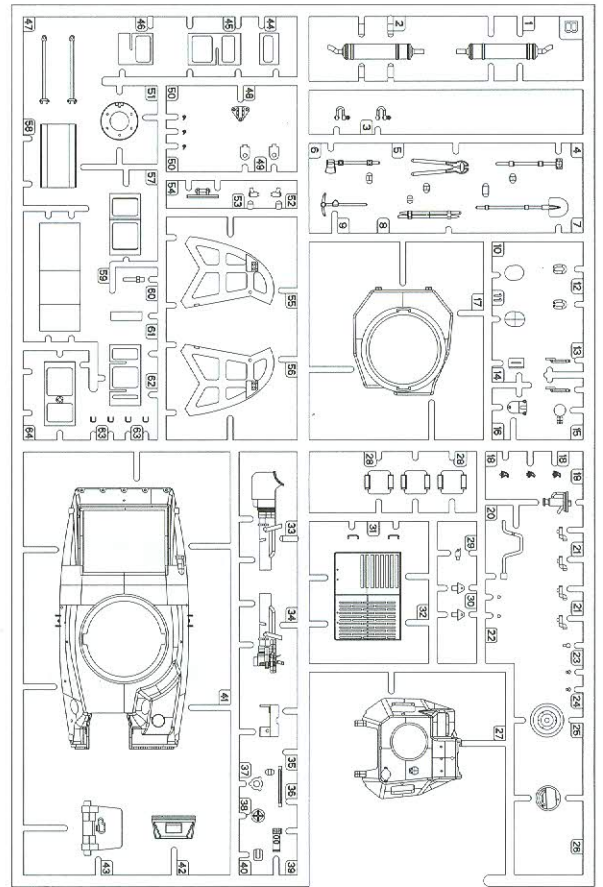
Bronco Models

Copyright©2005
Made in China
中國製造

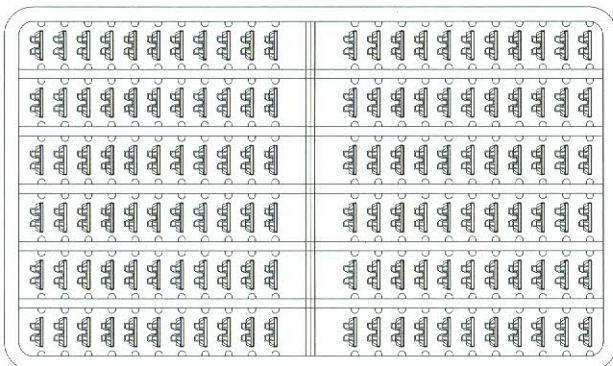
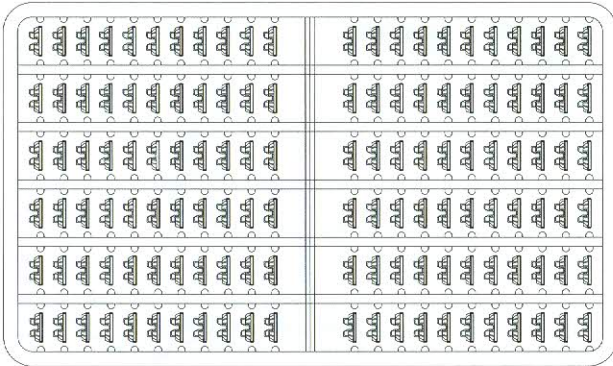
(A) x1



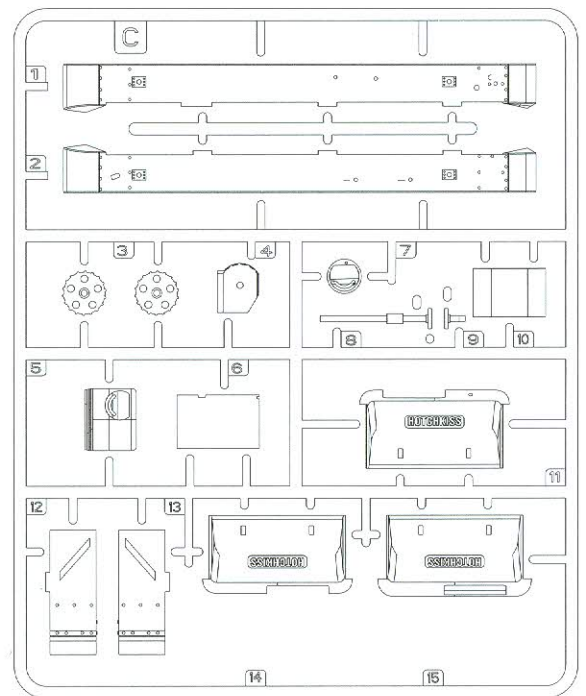
(B) x1



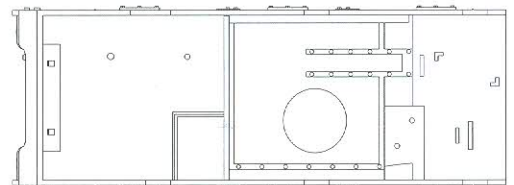
(C) x2



(C) x1



(D) x1



(M) x1

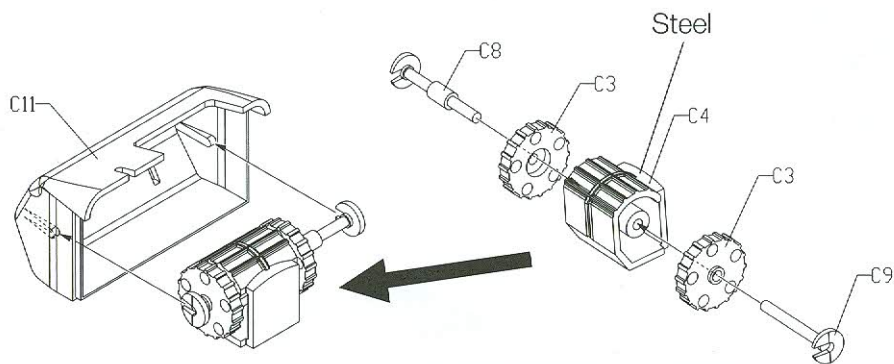


 x1

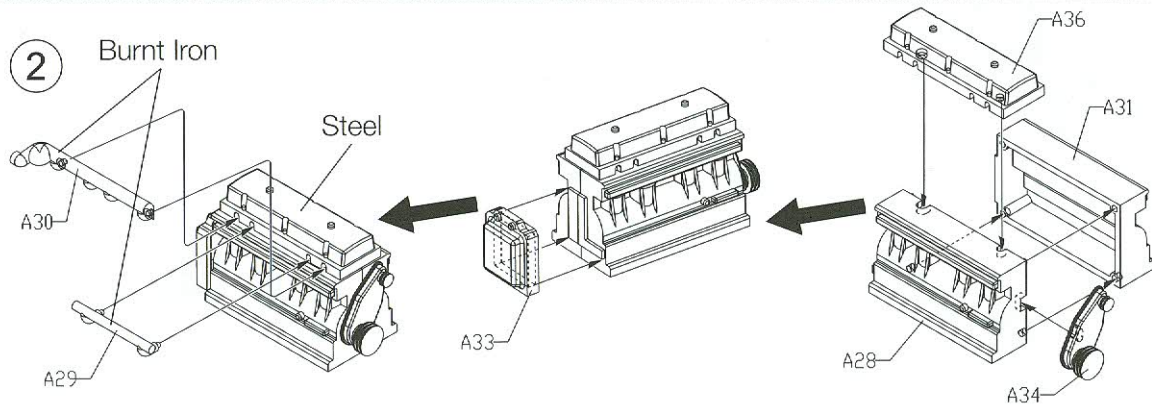
 x6

ILLUSTRATION 圖示說明：

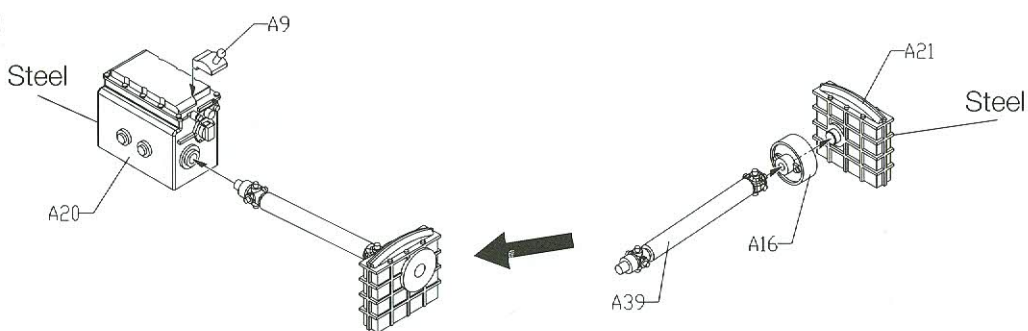
1



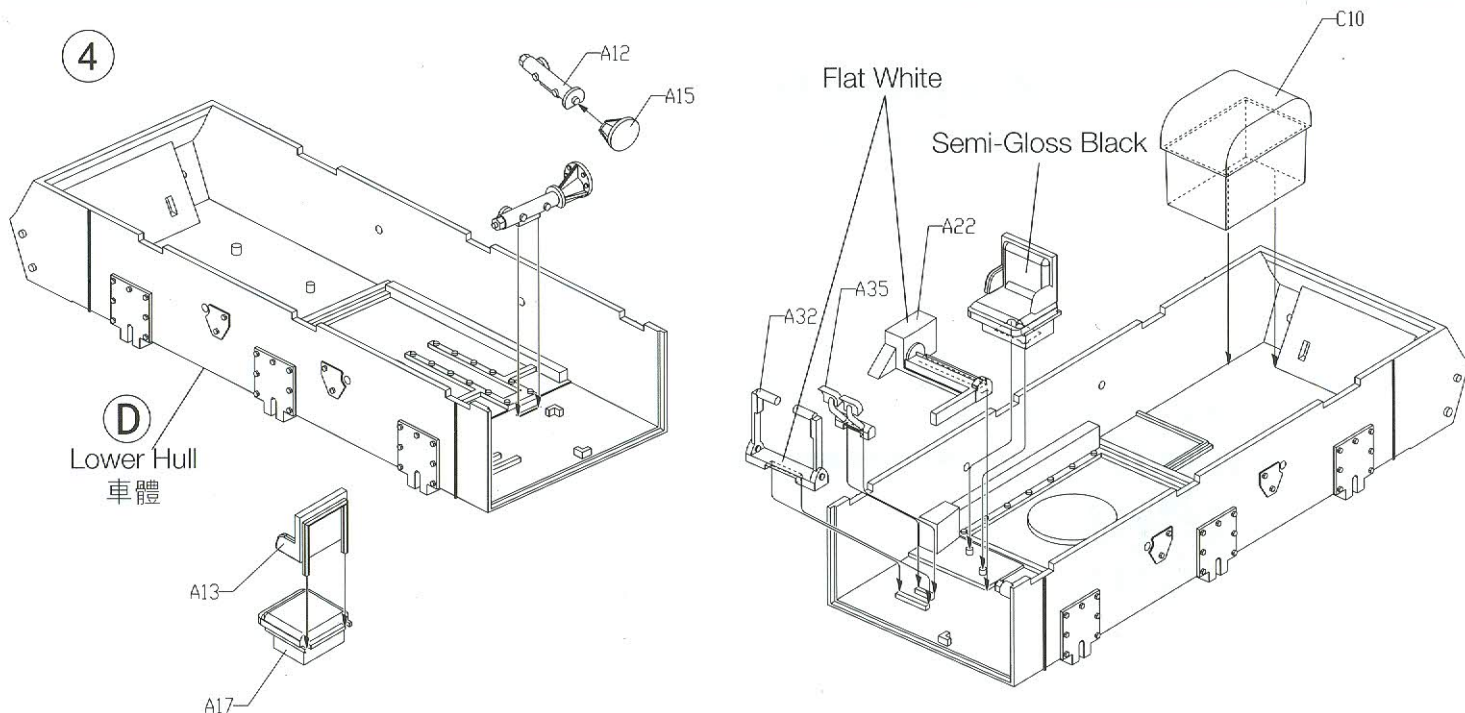
2



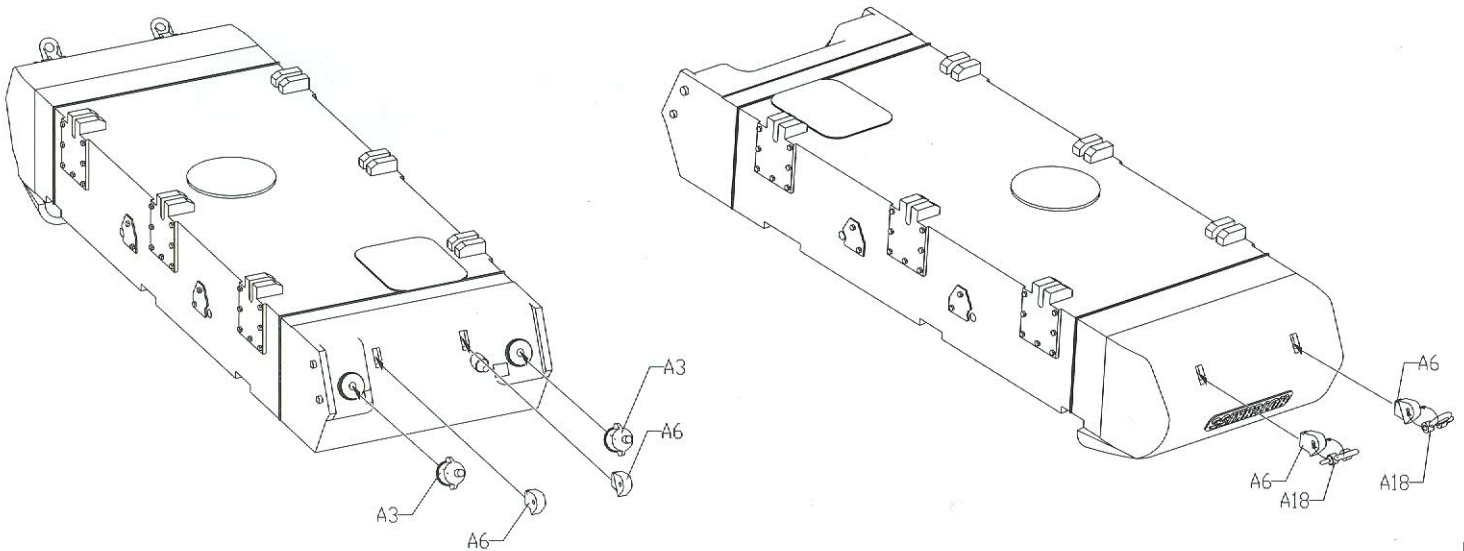
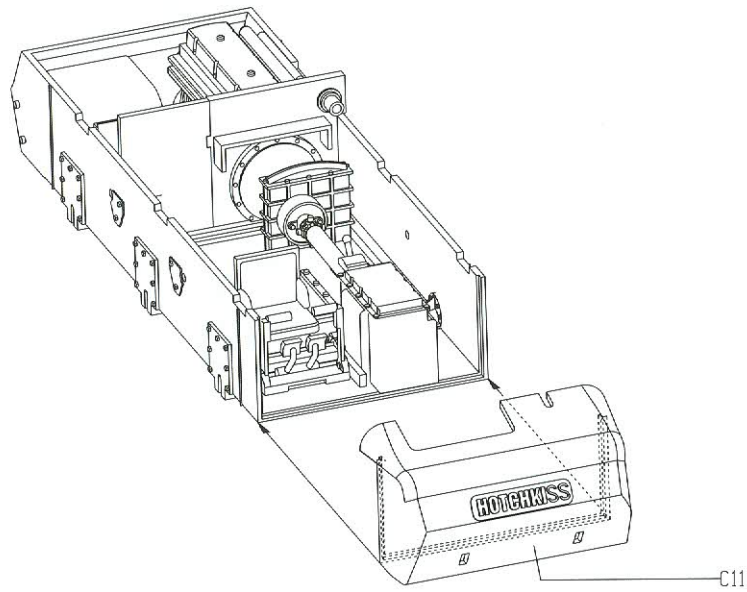
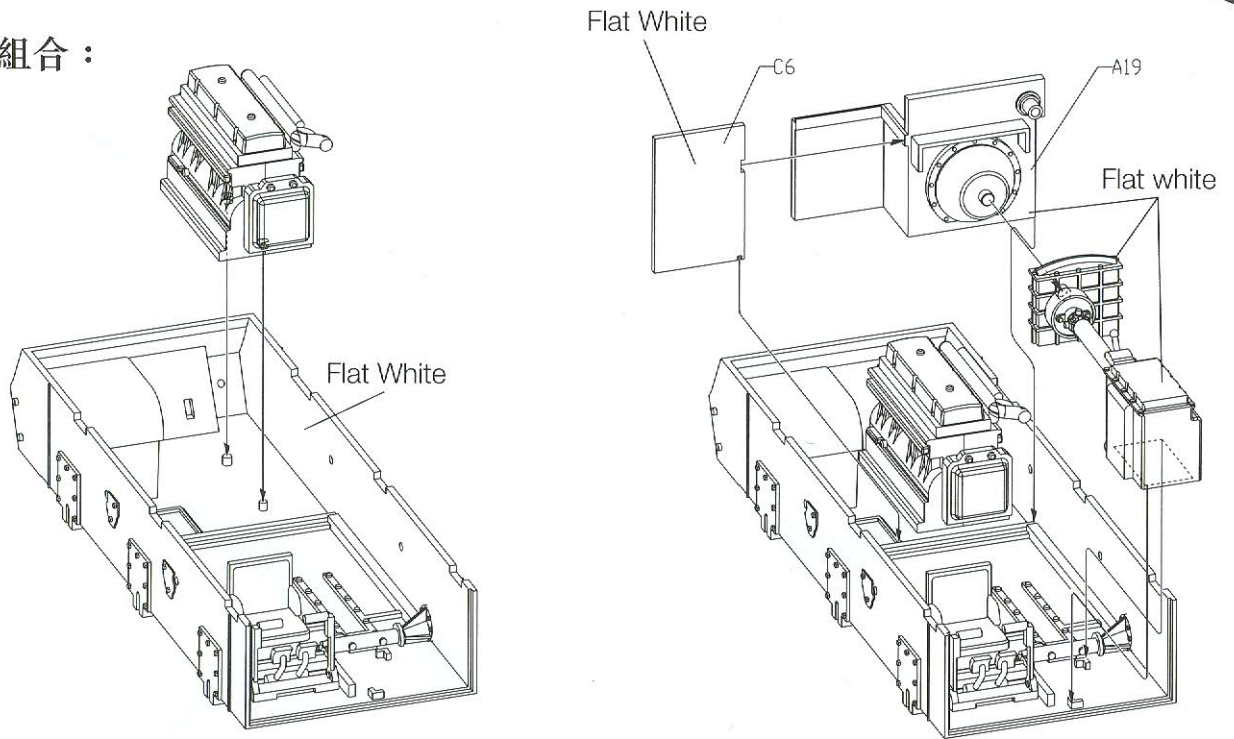
3



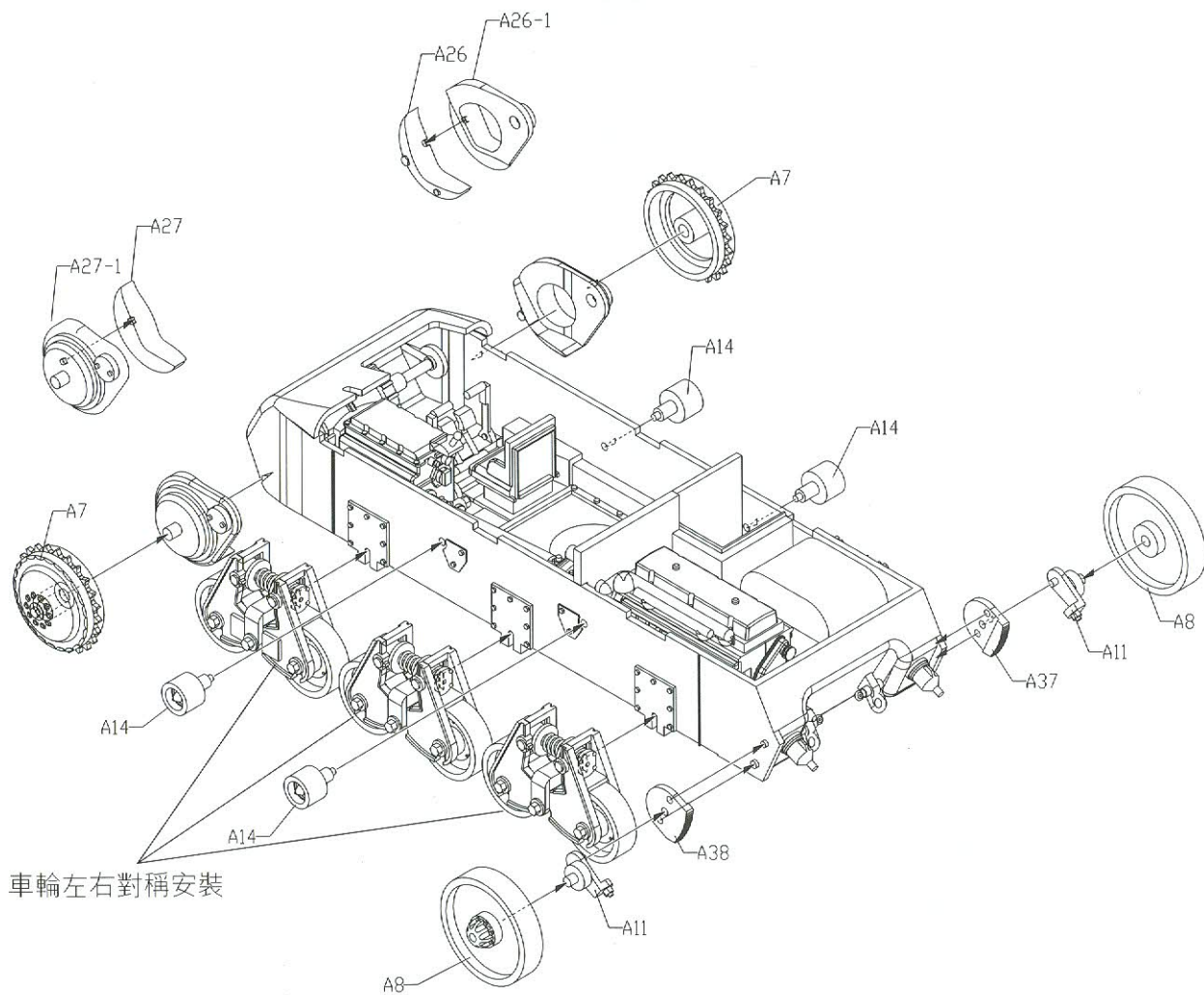
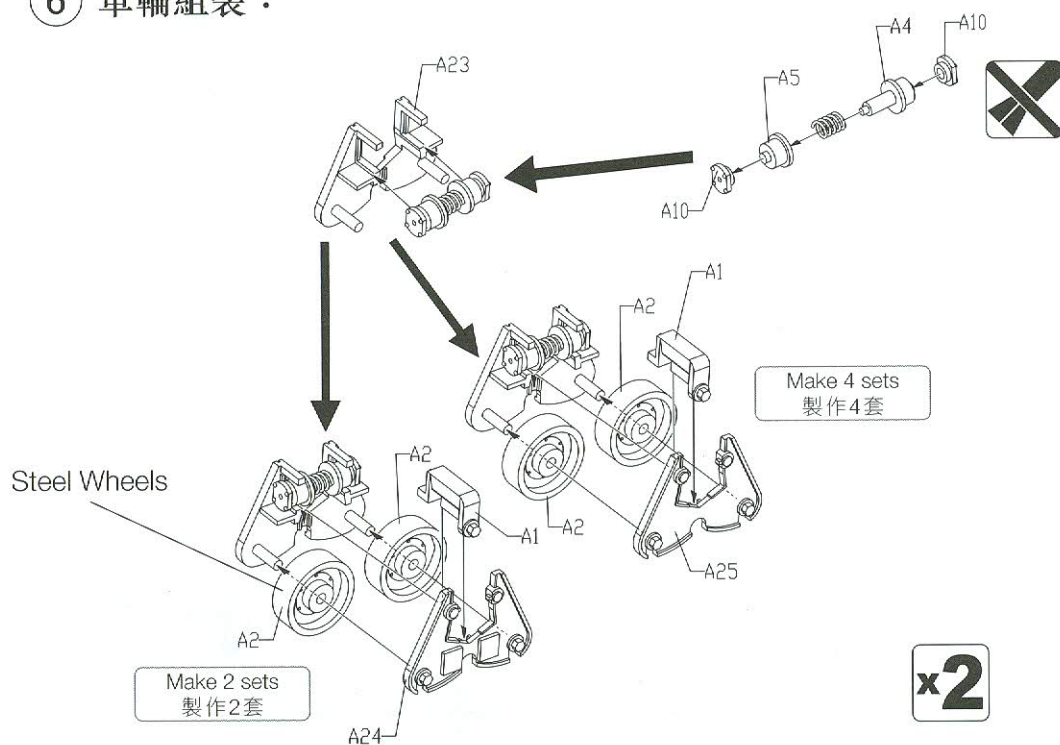
4



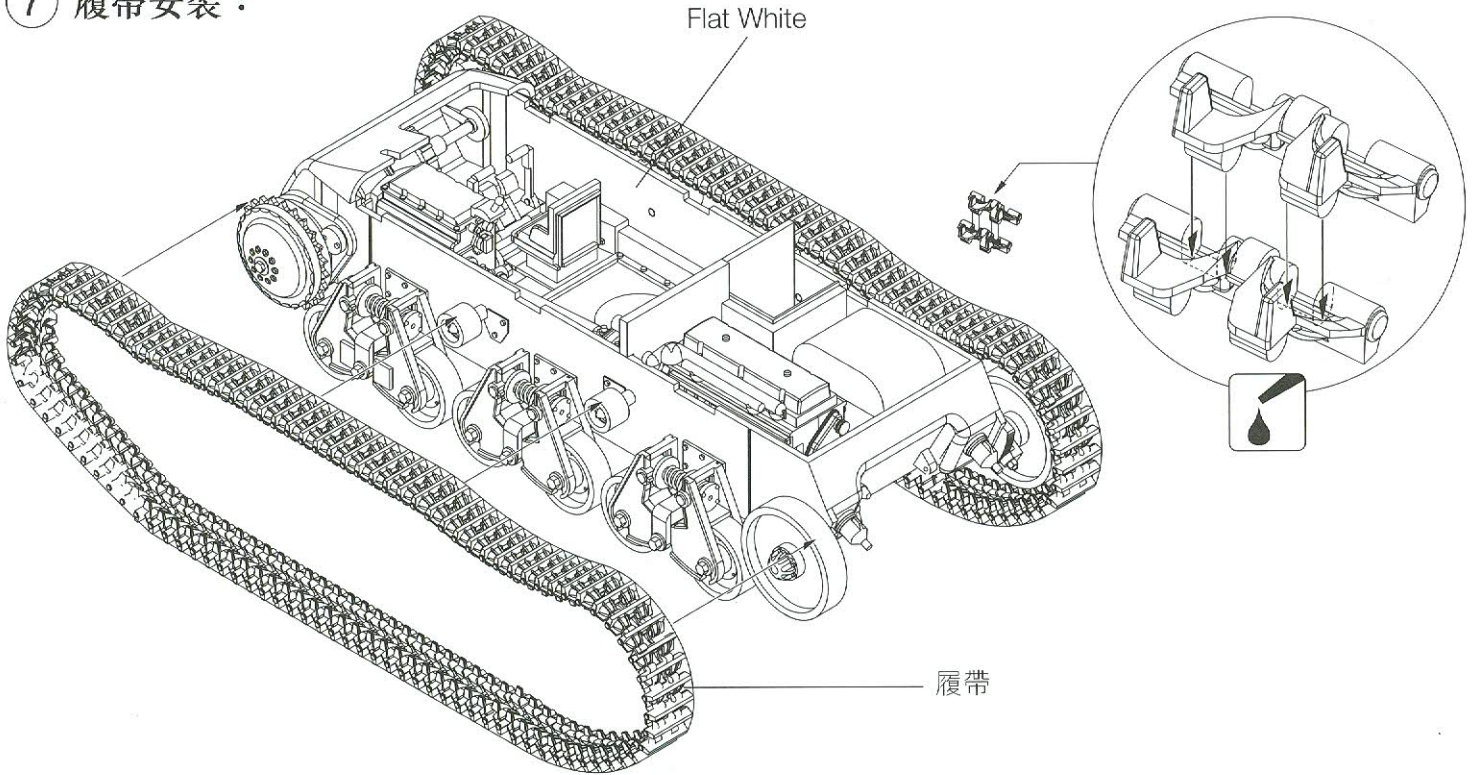
⑤ 車內組合：



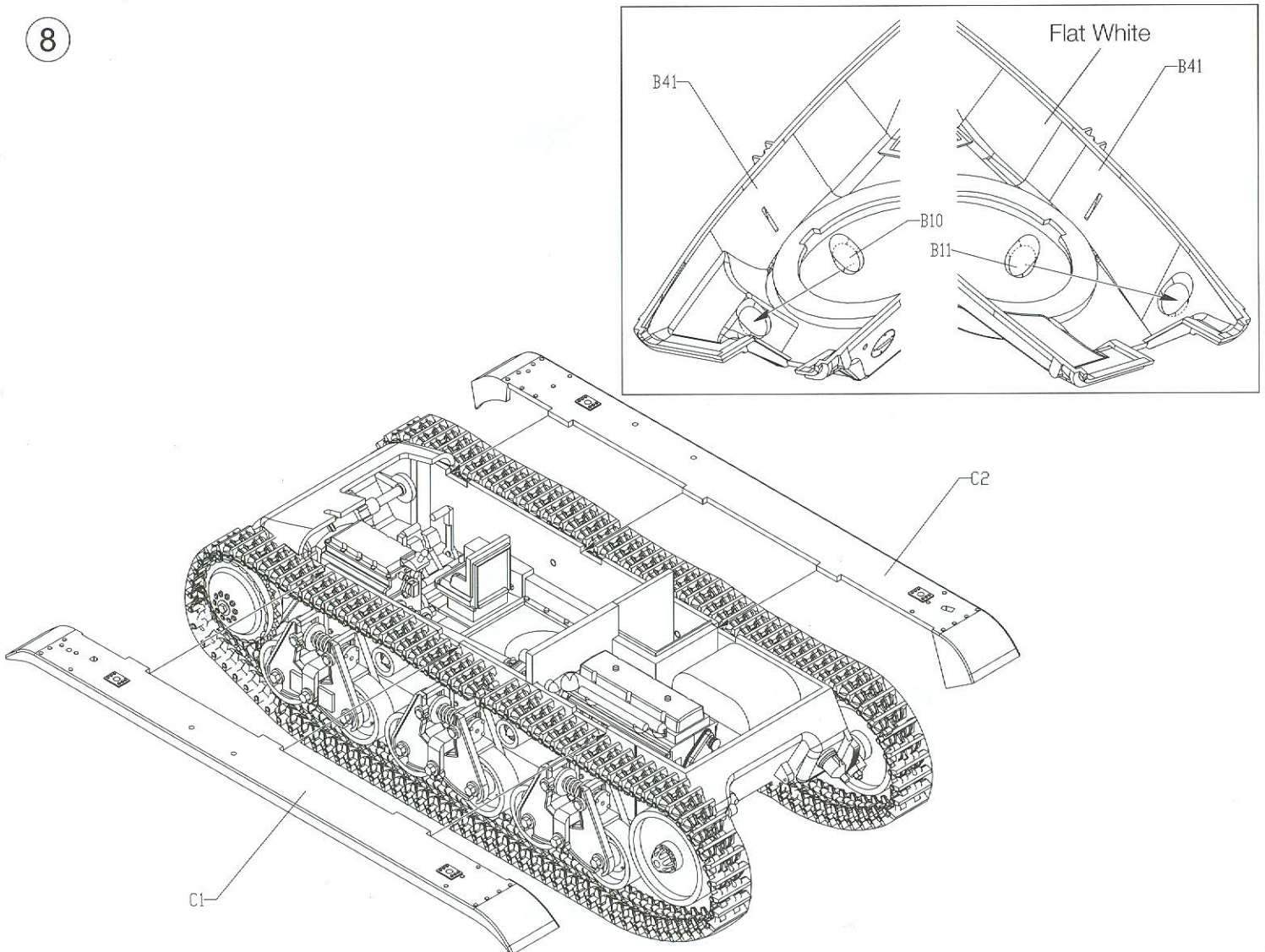
⑥ 車輪組裝：



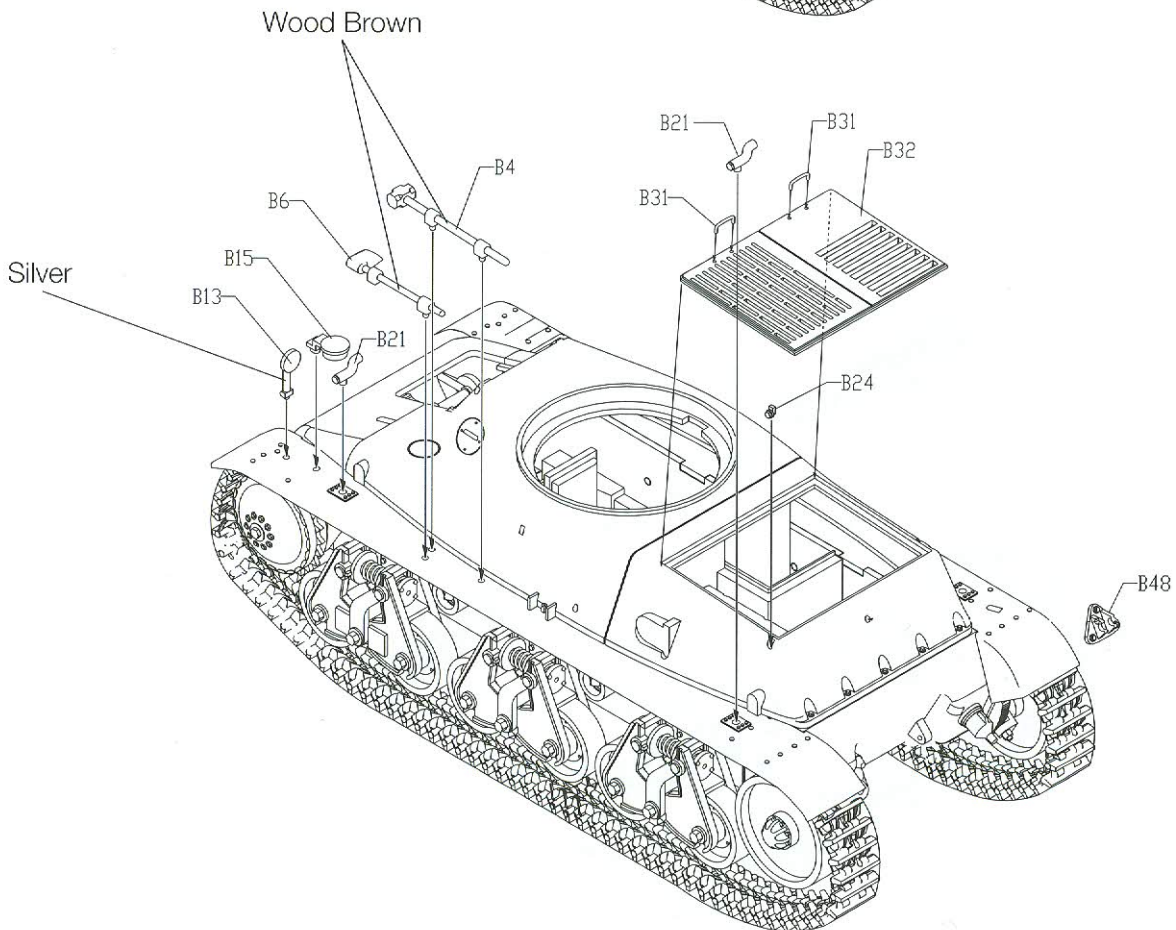
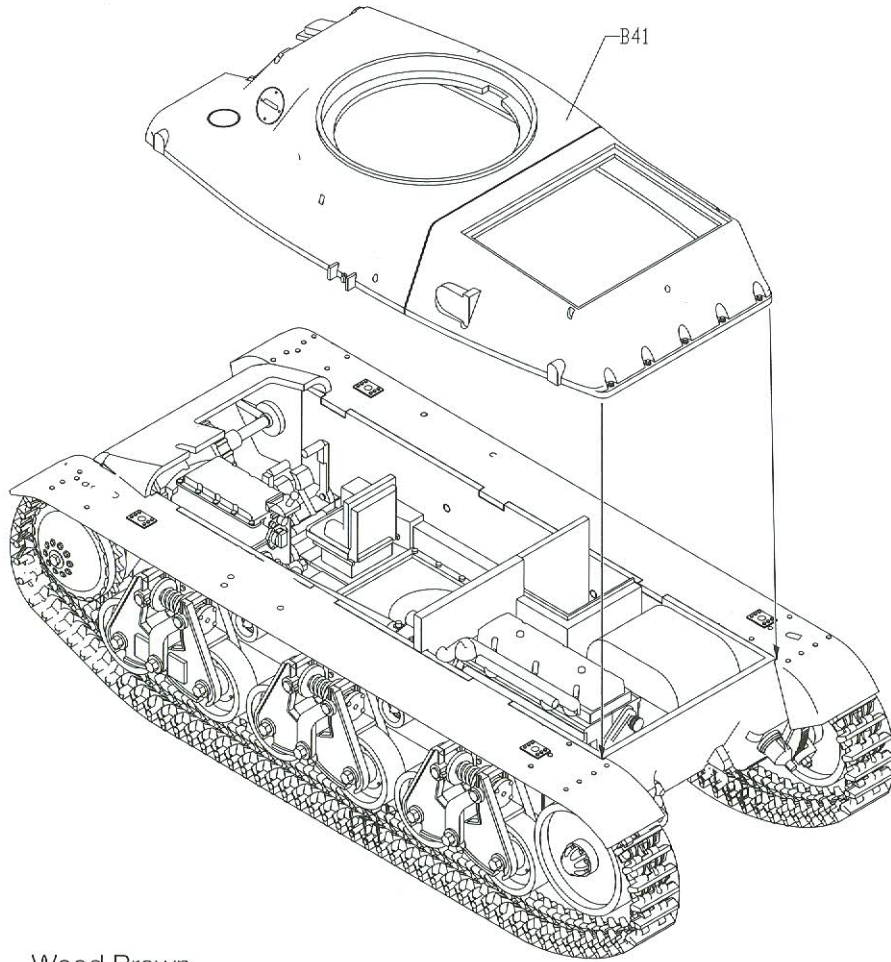
7 履帶安裝：



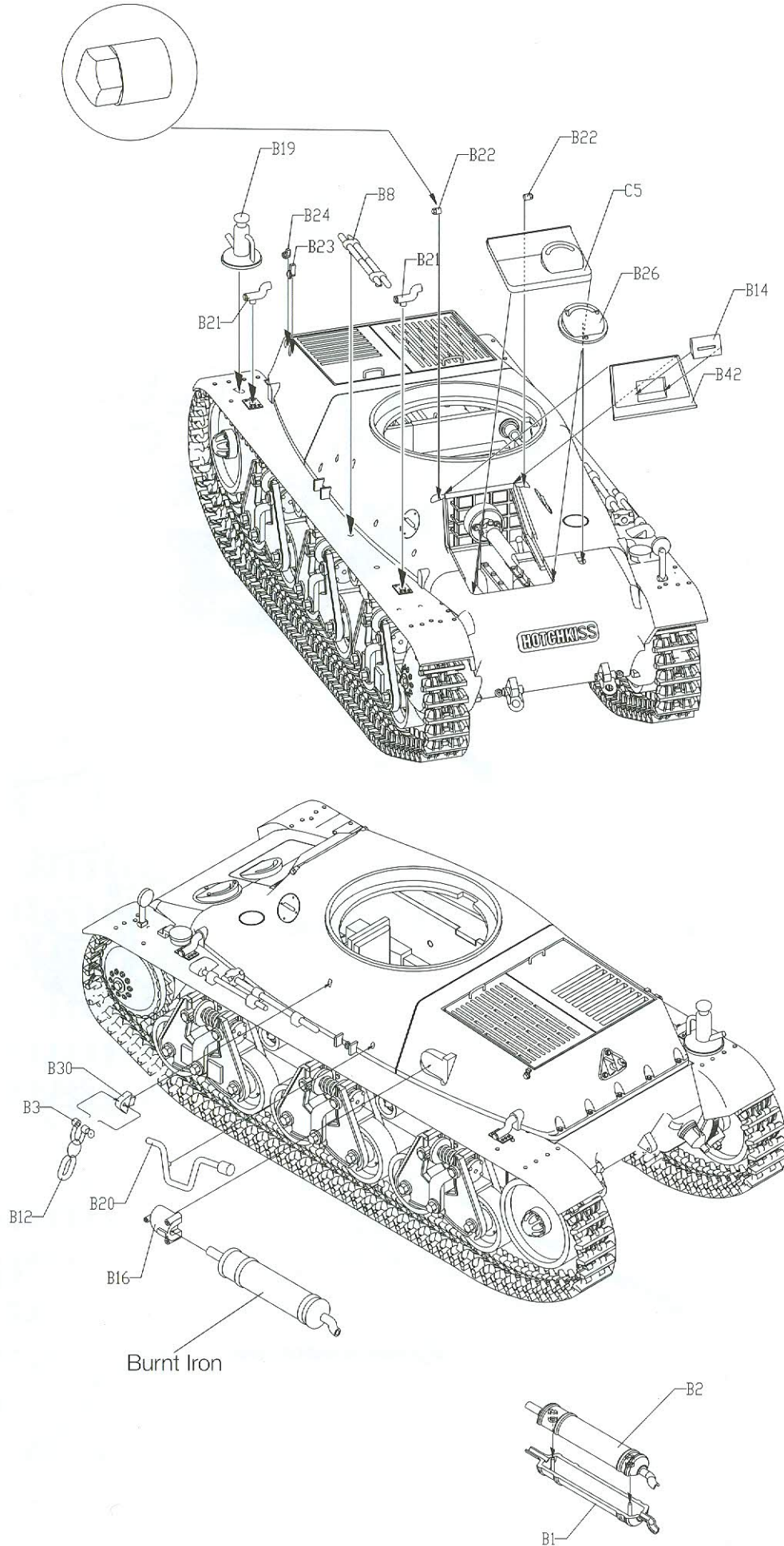
8



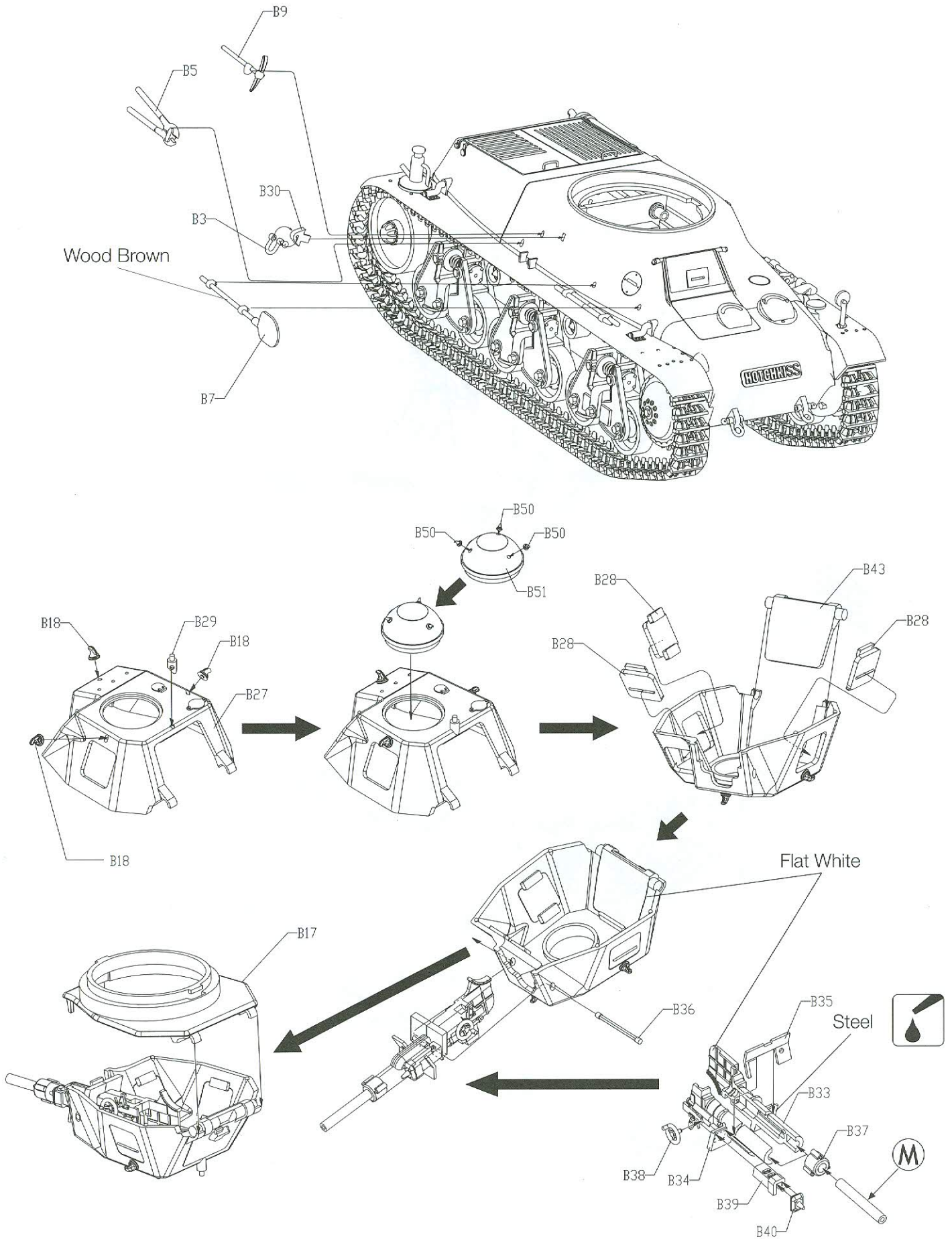
⑨ 主體安裝：



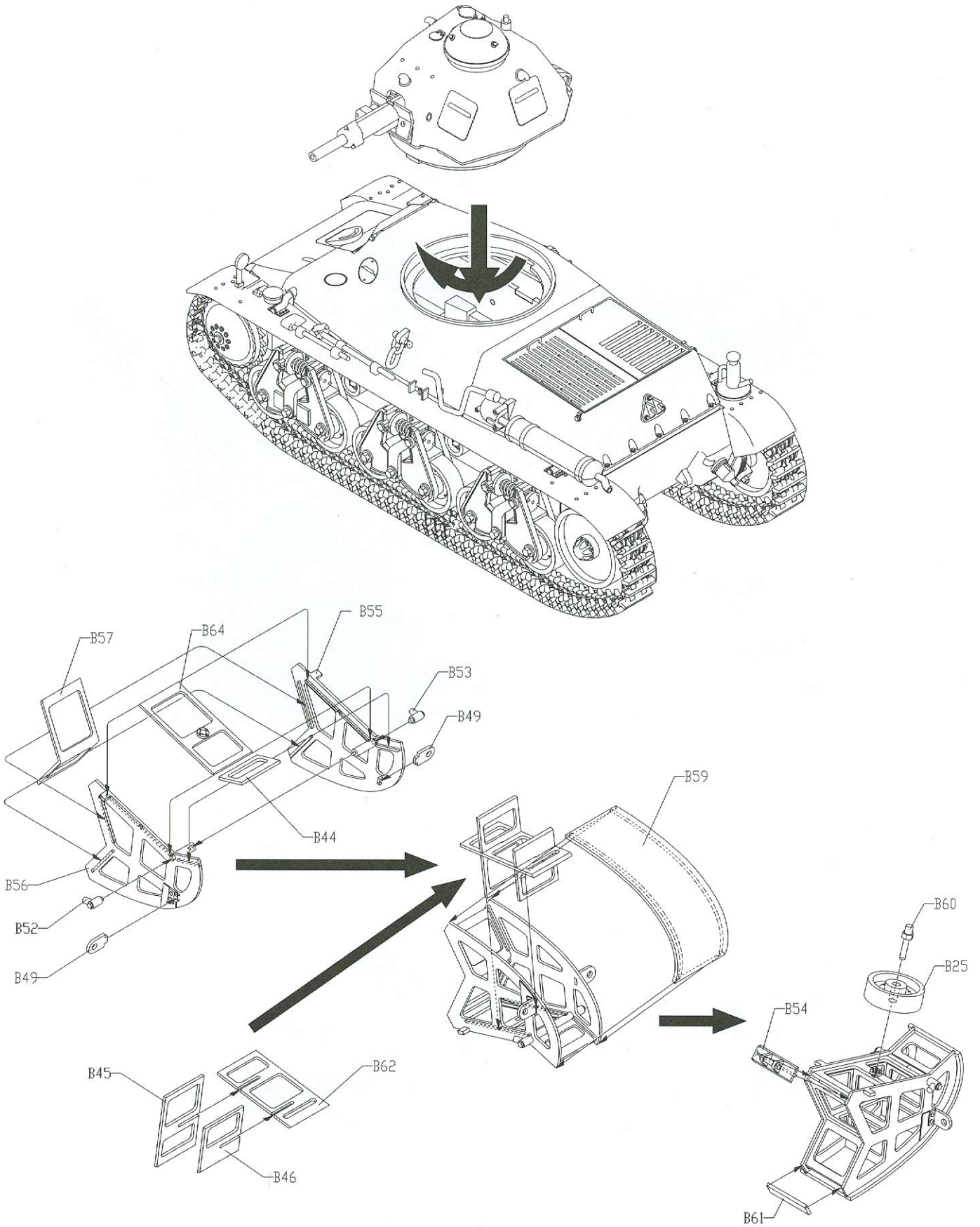
10



⑪ 炮塔安裝：



12



13

