

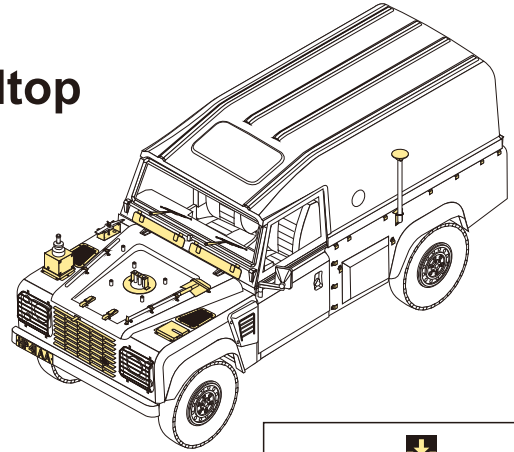
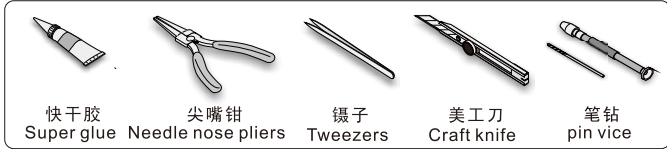
1/35 MILITARY MINIATURE VEHICLE UPGRADE SERIES PE35423

# Modern British Defender 110 Hardtop

## 现代英军陆虎"卫士"110硬顶型

[For HOBBY BOSS 82448]

### 推荐使用工具 RECOMMENDED TOOLS



- 安装  
install
- 折叠  
bend
- A1**

改造件零件编号  
PE/resin part number
- B12**

原零件编号  
kit part number
- C22**

被替换的原零件编号  
replaced kit part number
- 另一侧相同制作  
repeat on opposite side
- 切除  
remove
- 打磨  
grind off
- 弧度卷曲  
radial bending
- x2**

制作若干组  
multiple assembly
- 选择安装  
alternative
- 钻孔  
drill
- 用胶棒制作  
make from plastic rod

用尖端在凹槽处冲压  
use penpoint to press on the dent

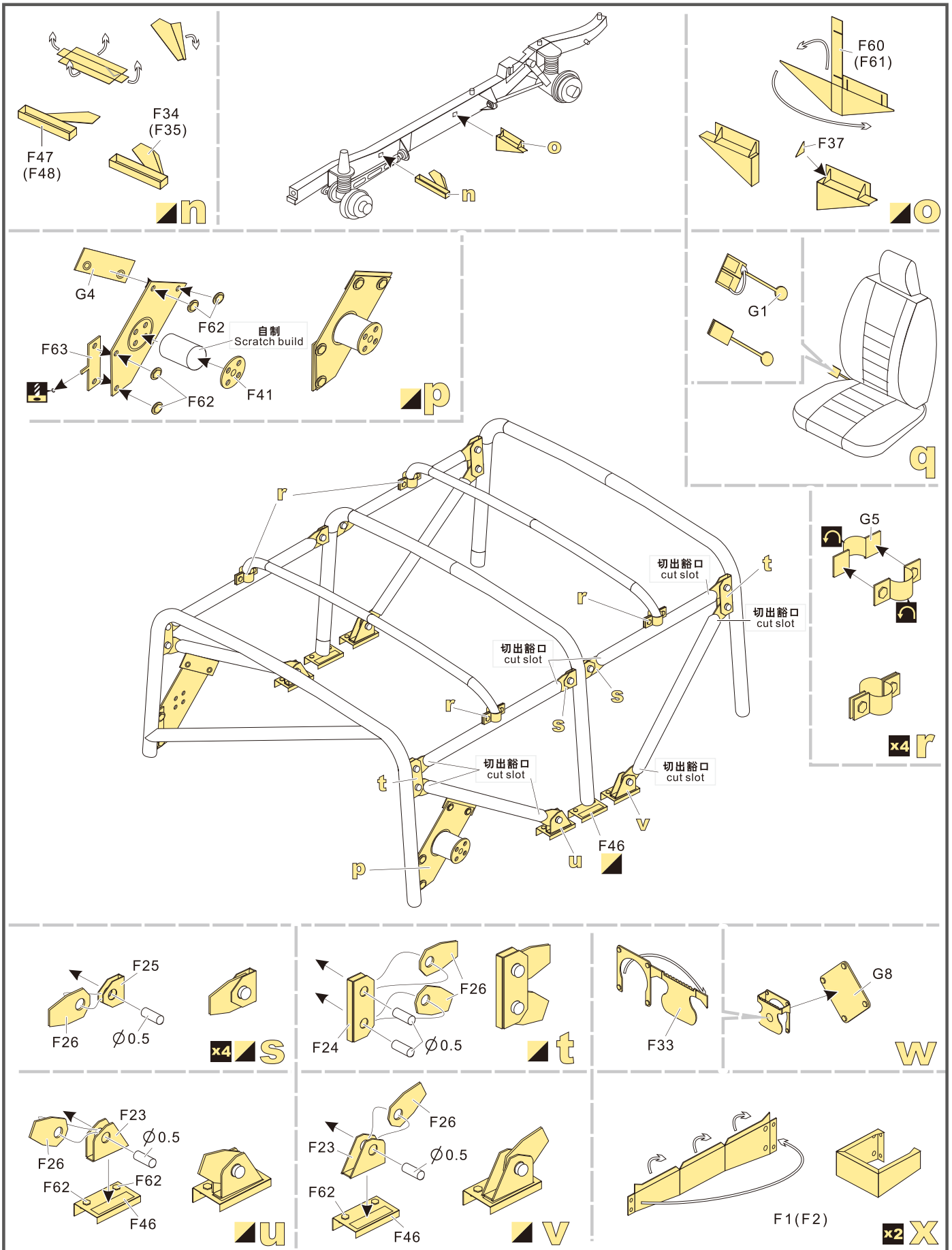
蚀刻片零件内朝面向上  
Put the part upside down  
用笔尖在凹槽处刺  
Use penpoint to press on the dent

The main assembly diagram is divided into several sections:

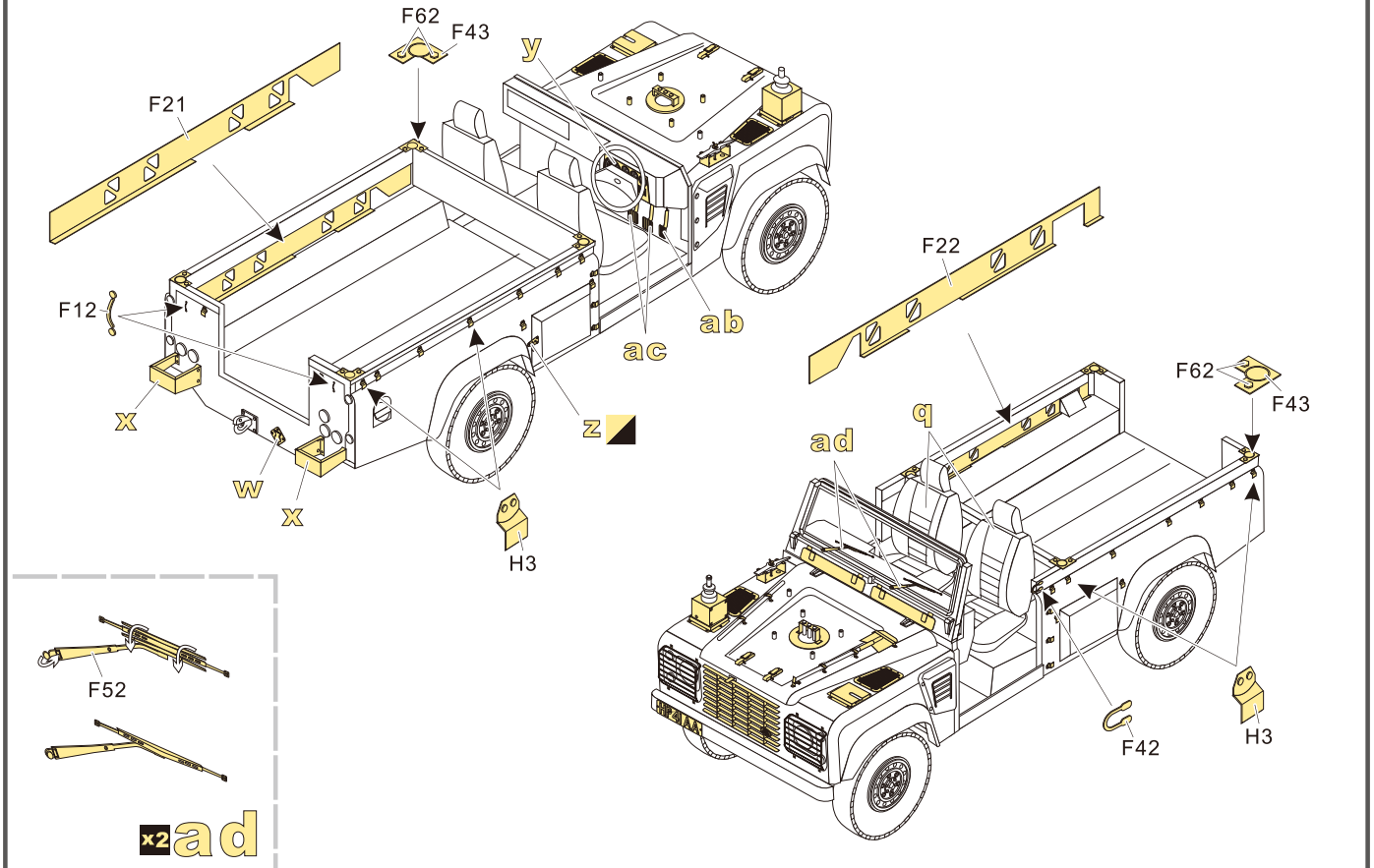
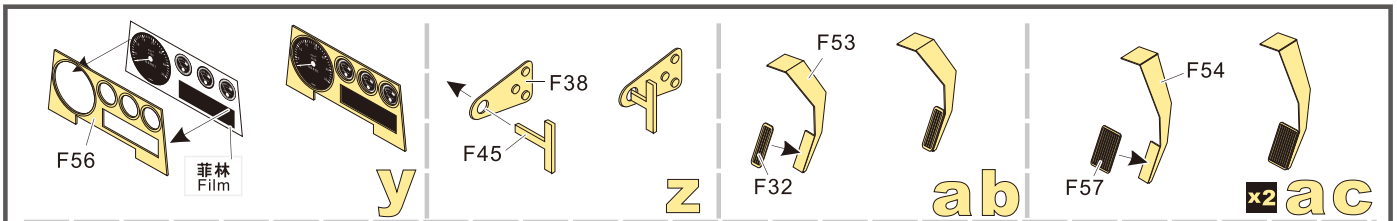
- a**: Assembly of parts F7, F14, and F18.
- b**: Assembly of parts F9, F10, F11, and F18.
- c**: Assembly of parts G9 and H8.
- d**: Assembly of parts G6 (x2).
- e**: Assembly of part G3 (license plate).
- f**: Assembly of parts G2, G7, and H5. Note: G2 is '自制 Scratch build'.
- g**: Assembly of parts F40 and H5 (x2).
- h**: Assembly of part F19.
- i**: Assembly of parts F30, F4, and F6. Note: '左 Left' and '右 Right'.
- j**: Assembly of parts F31 and F5.
- k**: Assembly of parts F49, F58, and F13.
- l**: Assembly of parts F64, F20, and F7.
- m**: Assembly of parts F55 and F7.

The final assembly view shows the hardtop installed on the vehicle chassis, with parts labeled a through m.

1/35 MILITARY MINIATURE VEHICLE UPGRADE SERIES PE35423



1/35 MILITARY MINIATURE VEHICLE UPGRADE SERIES PE35423



**VOYAGERMODEL®** 无微不至 极致享受  
The Best Upgrade Solution

Recommended item

PEA 264	Modern Land Rover Weighted Road Wheels(G90)Type.1
PEA 271	Modern US ARMY Cal .30 M19A1 Ammunition Can
PEA 272	Modern US ARMY Cal .50 M2A1 Ammunition Can
PEA 277	Modern Land Rover Weighted Road Wheels Type.2
PE 35374	Modern British Challenger 2 MBT(desertised) w/ CIP
PE 35388	Modern British Challenger 2 MBT
PE 35431	Modern British Defender XD "Wolf" W.M.I.K

