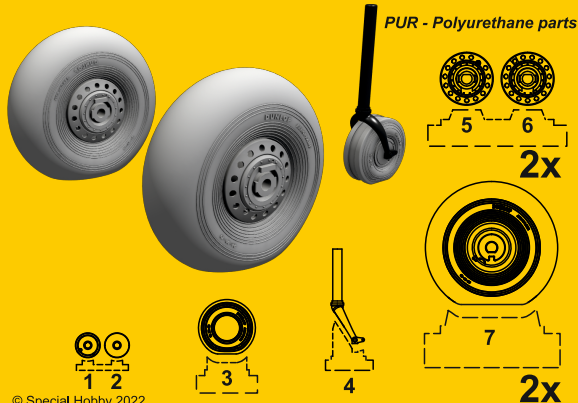


7499
1/72

Lancaster Mk.I/III Mainwheels and Tailskid w/Wheel

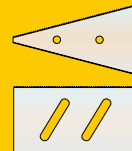


© Special Hobby 2022

Díly ohnuté popř. pokroucené vlivem teplotních změn a stárnutí materiálu, mohou být narovnány do požadovaného tvaru pomocí proudu teplé vody nebo vzduchu (fén na vlasy). K lepení použít kyanoakrylátové lepidlo! Kontaktní plochy doporučujeme před lepením odmastit. Různé drátky a tyčinky nejsou přiloženy.

Parts slightly distorted and bent owing to temperature changes or due to material aging can be straightened to requested shape by hot water or hot air jet (hair dryer). This process can be repeated till result is entirely satisfactory. For best result use cyanoacrylate glue! Ungreasing contact areas is recommended before gluing. Wires and rods not included.

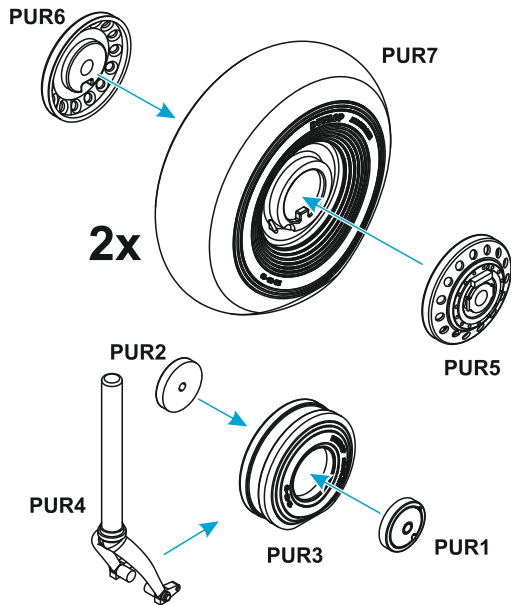
Visit our official website and e-shop at
www.cmkkits.com
www.specialhobby.eu
www.facebook.com/specialhobby/



H1020 Razor Saw Profi Set



The set contains
one holder, one
H1018 Triangle Razor
Saw and one H1019
Multi-shift Razor Saw.
Attach the razor blade to
the holder as shown in the
pictures using the plate with
holes and screws.



Special Hobby offers detailed cast wheels for 1/72
Mosquito (CMK 7494 / Airfix kit), Beaufort (CMK 7496
/ Airfix kit), Wellington (CMK 7497 / Airfix kit), P-39
Airacobra (CMK 7488/ Academy kit) and other kits
as well.

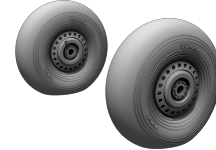
CMK 7496
Bristol Beaufort Wheels



CMK 7494
Mosquito B Mk.XVI
Undercarriage Wheels



CMK 7497
Wellington Mk.II Wheels



CMK 7488
P-39 Airacobra Wheels
and Front Leg

