

Supermarine Spitfire Mk.21 & contraprop.

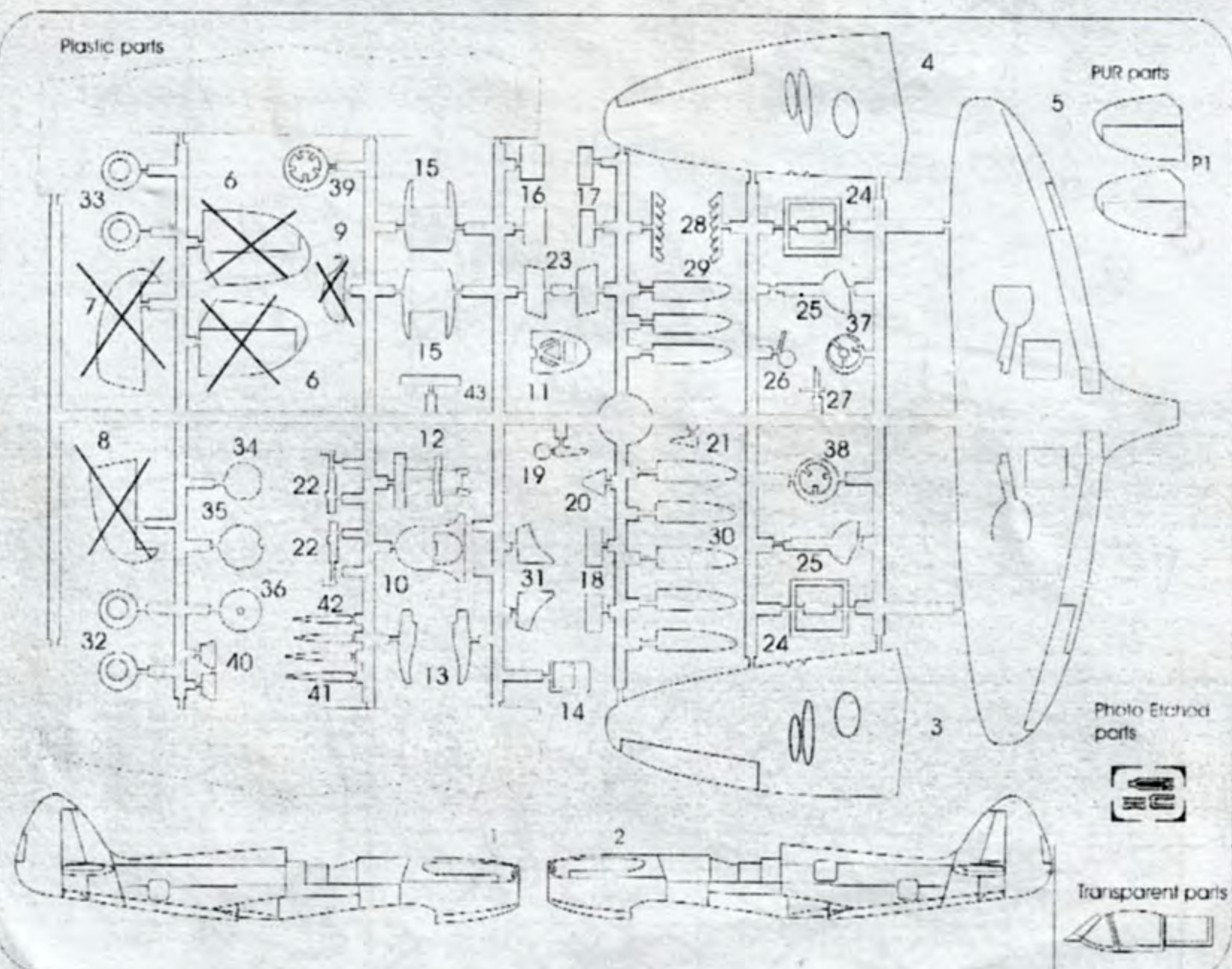
Plastic model

AZS 7203, AZS 7204

scale :1/72

Supermarine Spitfire 21: Major redesign (Supermarine Type 356) of basic Supermarine Spitfire, launched in 1942 to take full advantage of two-speed, two-stage Griffon engine variants. Supermarine Spitfire XX (DP851) modified to serve as preliminary prototype, first flown October 4, 1942, with Griffon 61; five-bladed propeller; extended-span, pointed-tip wings (as on Supermarine Spitfire VII); broad-chord rudder and revised canopy. Full Mk 21 prototype (PP139) flown on July 24, 1943, with modified wing planform to incorporate larger ailerons; more fuel in wing, increased t/c track and longer mainwheel oleo legs, and four 20-mm cannon armament. Name Victor provisionally adopted, but dropped before first production Supermarine Spitfire F Mk 21 flown on March 15, 1944, externally similar to PP139. The extended 'high-altitude' wing-tips were not used on subsequent production aircraft, a few of which had Griffon 85 engines with contra-props. Deliveries began early-1945 to equip No 91 Sqn. operational by April 1945. Production total, 120 by CBAF.

Plastic parts



PUR parts

Photo Etched parts

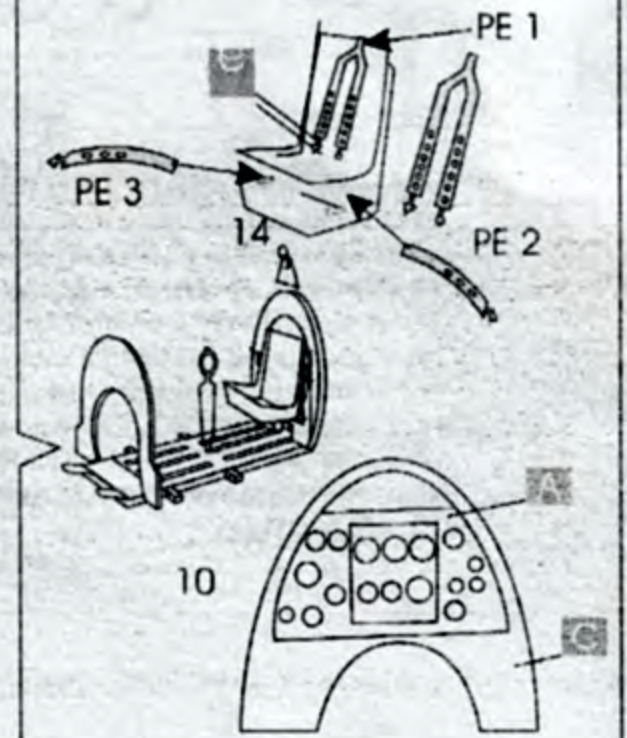
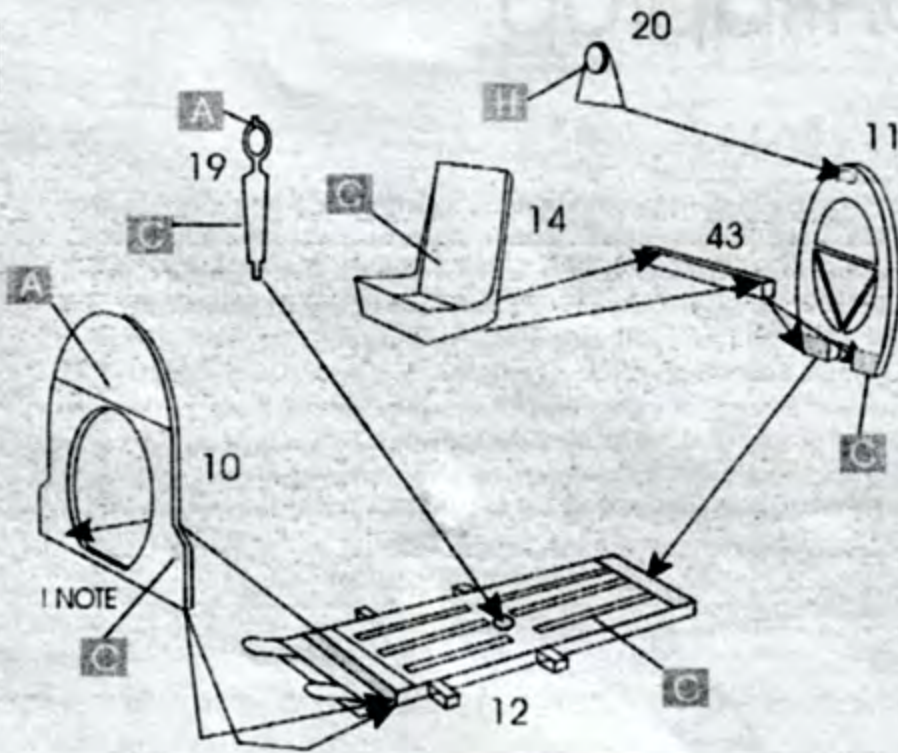
Transparent parts

| | | | | | | | | | | | |
|---|---------------------------|--|-------------------------|--|------------------------------------|--|---|--|-------------------------|--|-----------------------------|
| ? | <p>OPTIONAL VOLBA</p> | | <p>BEND OHINOUT</p> | | <p>OPEN HOLE VYVRTAT OTVOR</p> | | <p>SYMMETRICAL ASSEMBLY SYMETRICKÁ MONTÁŽ</p> | | <p>A NOTH ŽAŘEZ</p> | | <p>REMOVE ODRIZNOUT</p> |
|---|---------------------------|--|-------------------------|--|------------------------------------|--|---|--|-------------------------|--|-----------------------------|

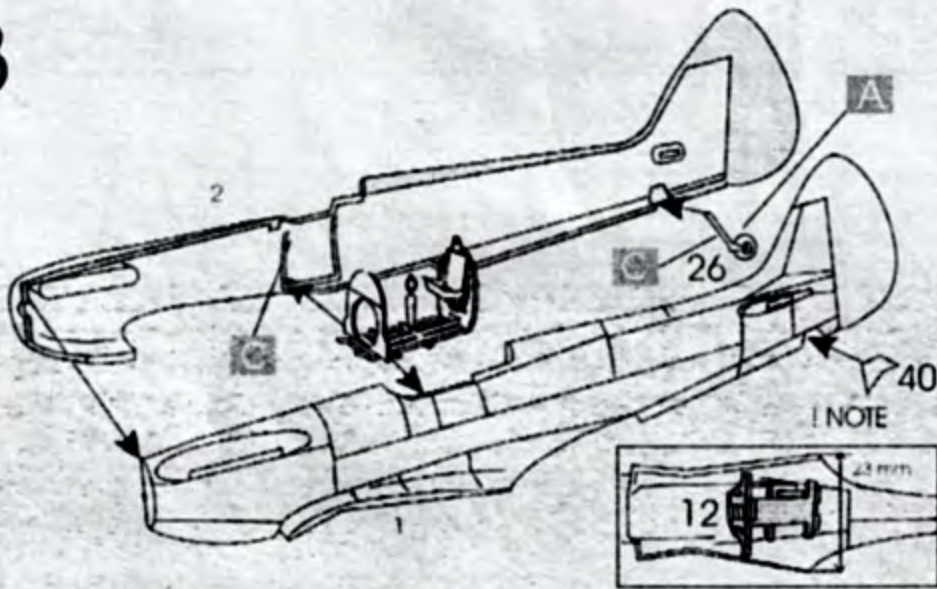
| colour name | | colour name | |
|----------------|---|---------------|---|
| Black | A | Dark Grey | E |
| White | B | Desert Yellow | F |
| Interior Green | C | Aluminium | G |
| LightGrey | D | Brown | H |

2

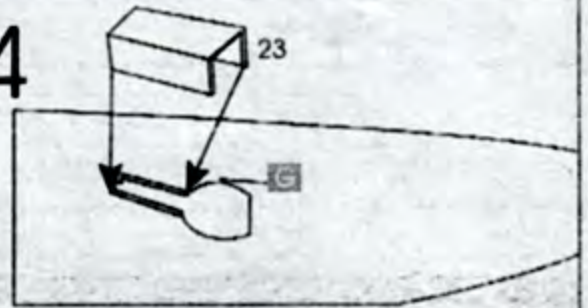
1



3



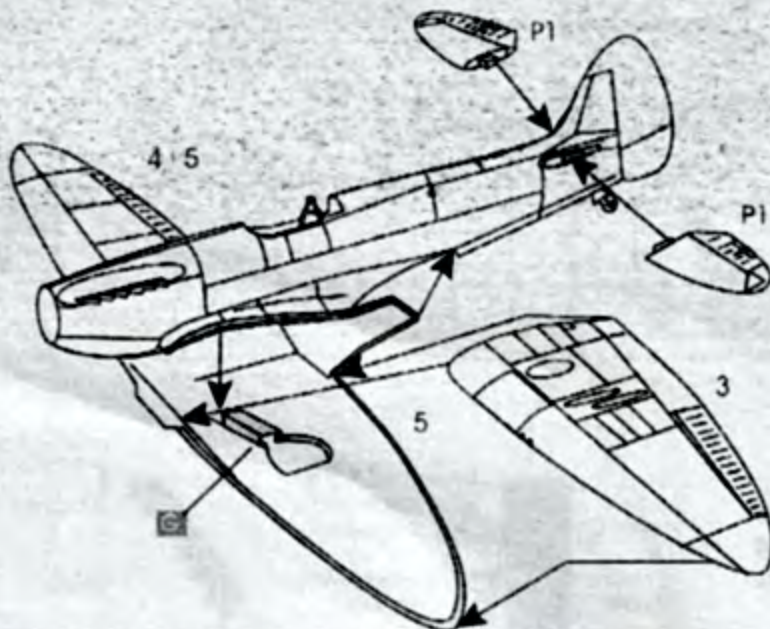
4



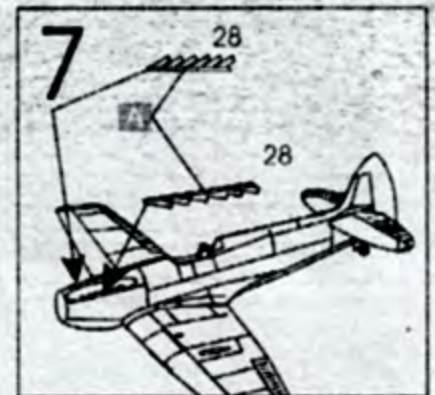
5

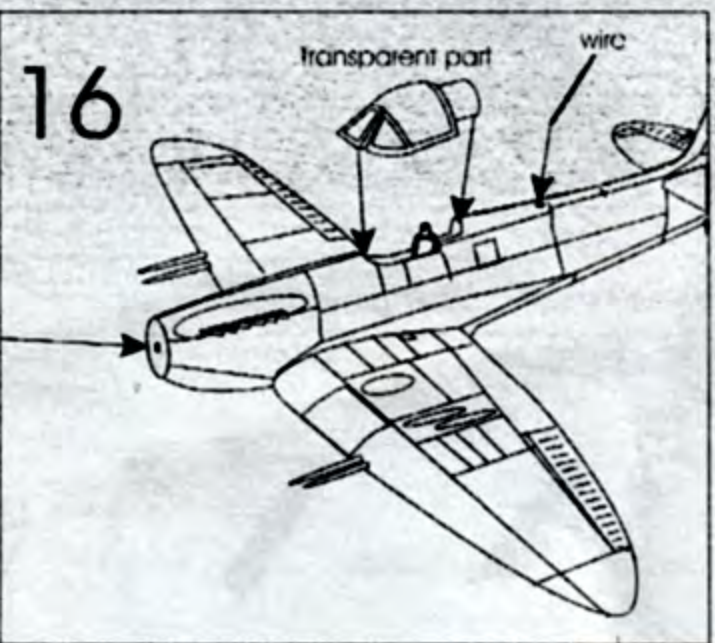
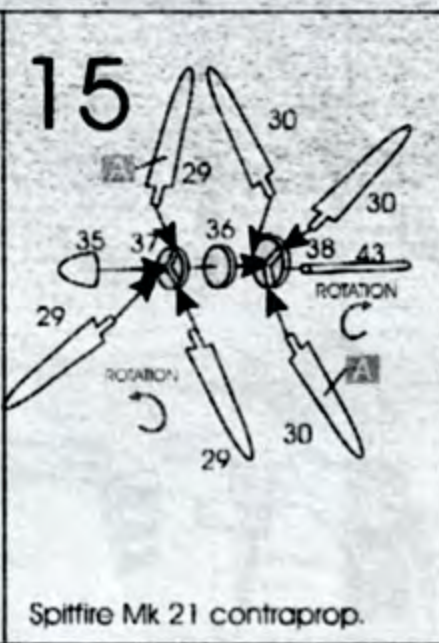
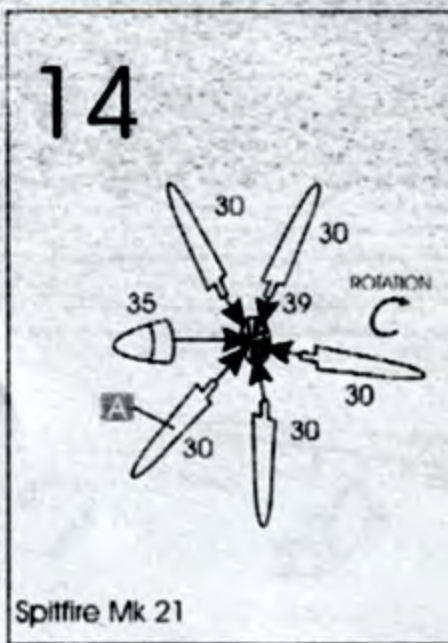
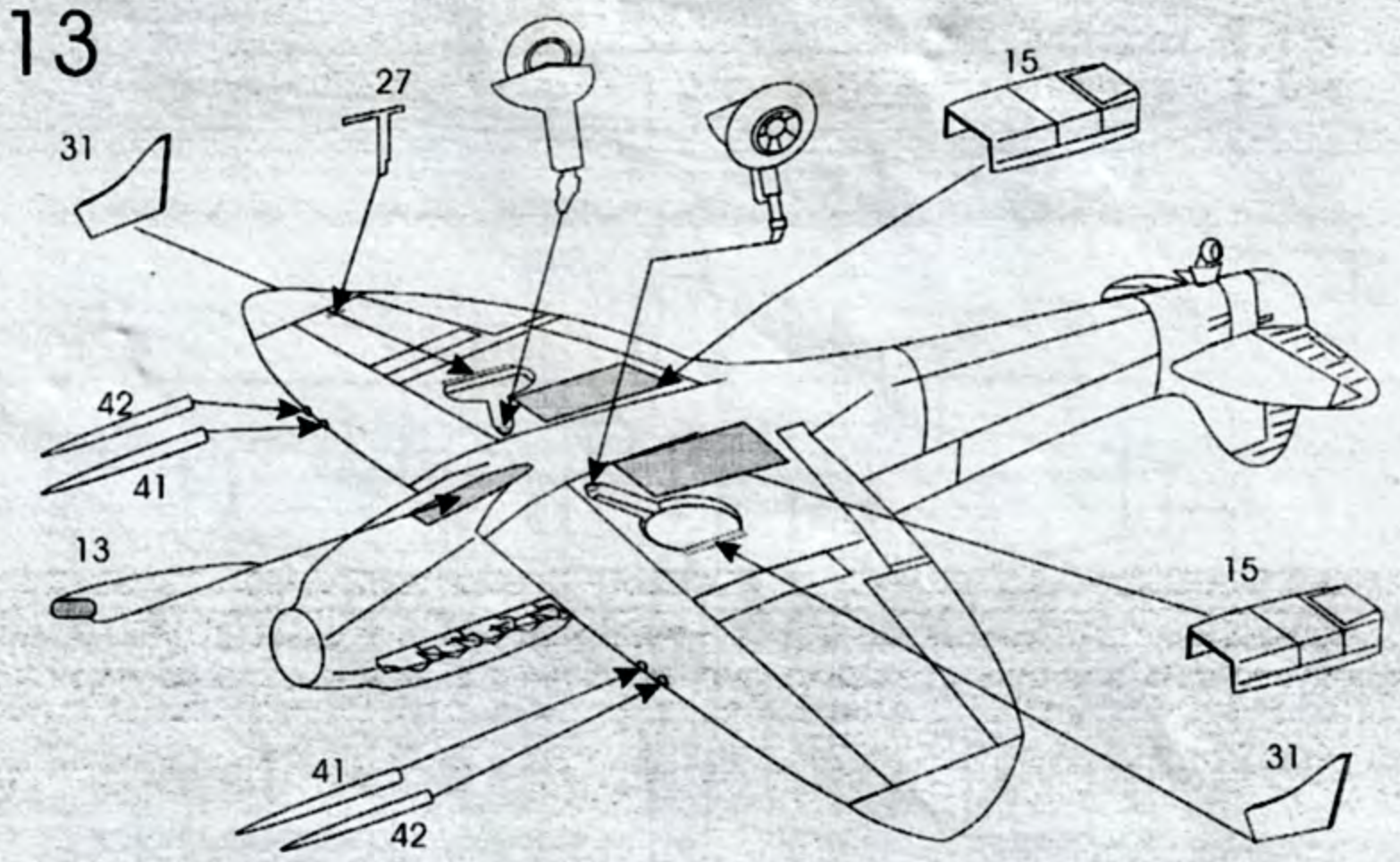
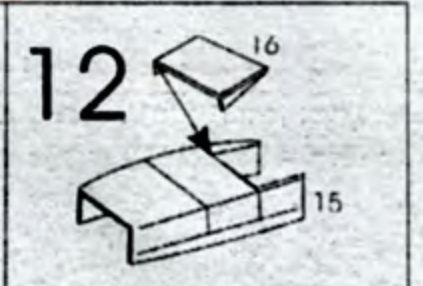
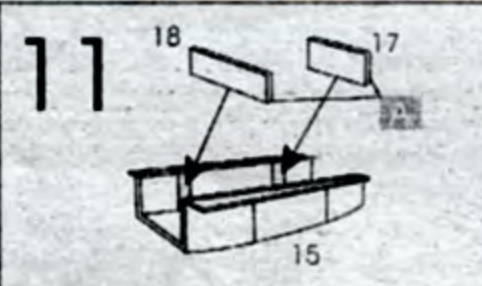
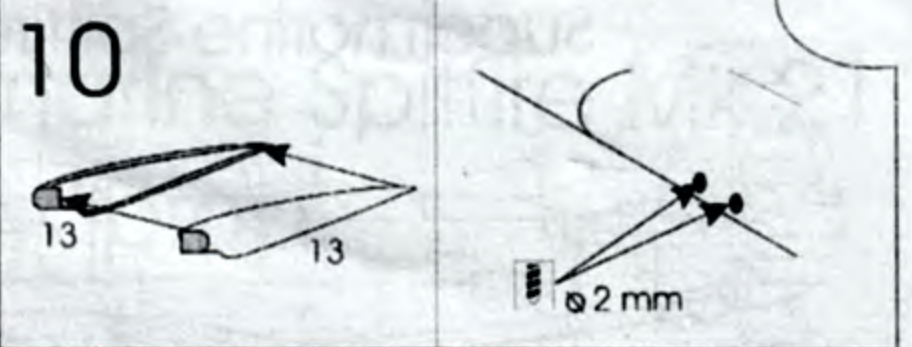
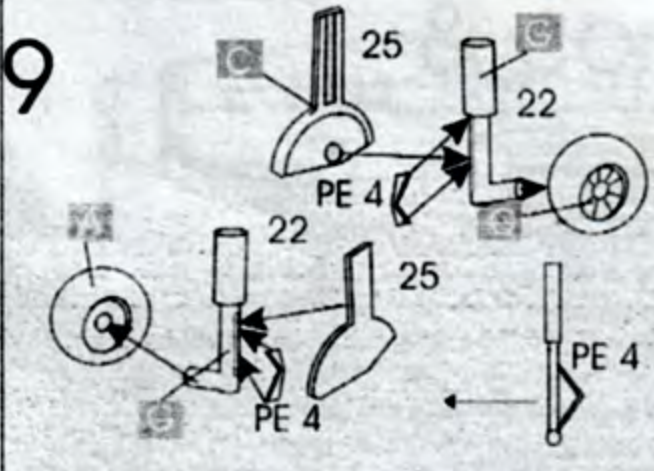


6

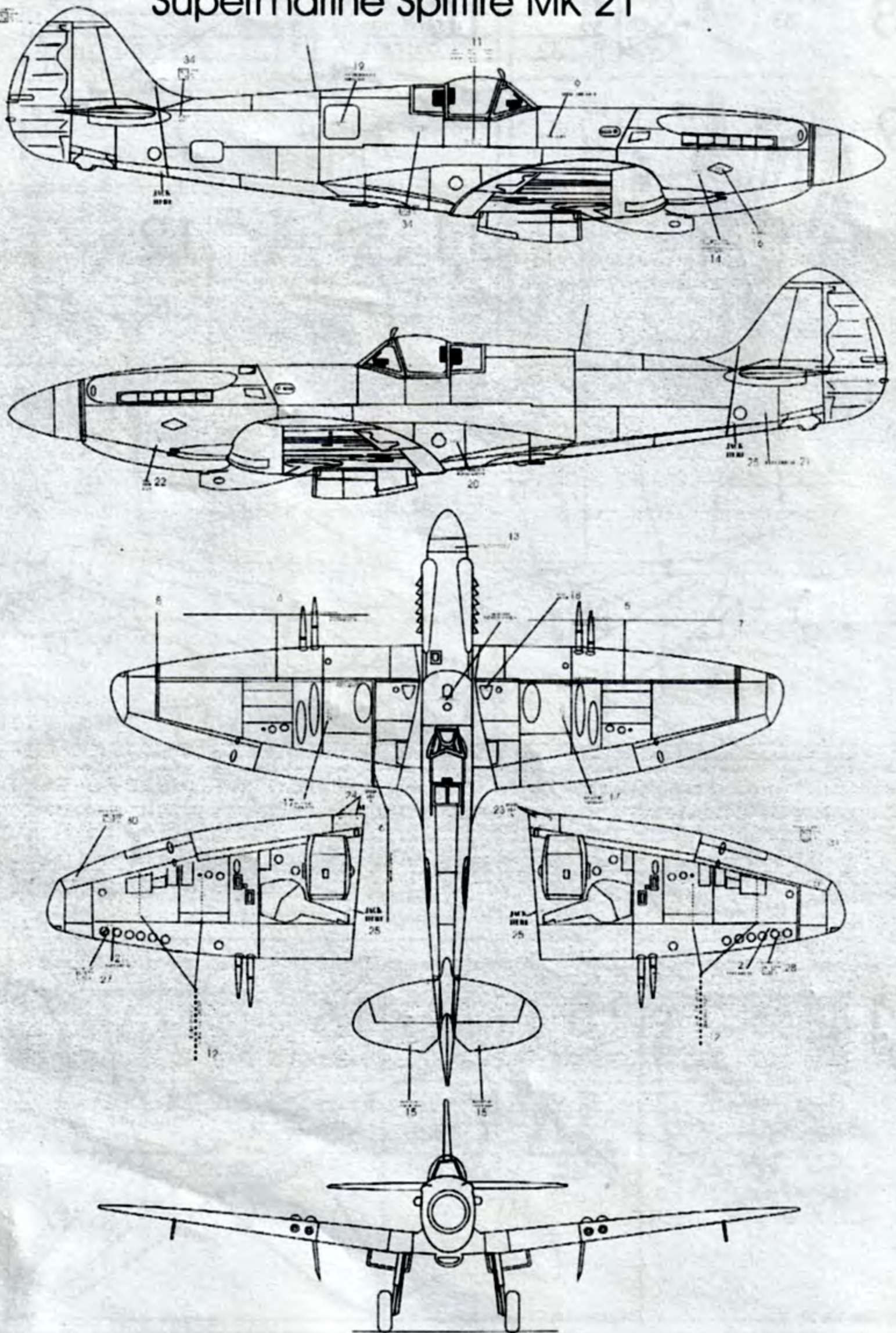


7





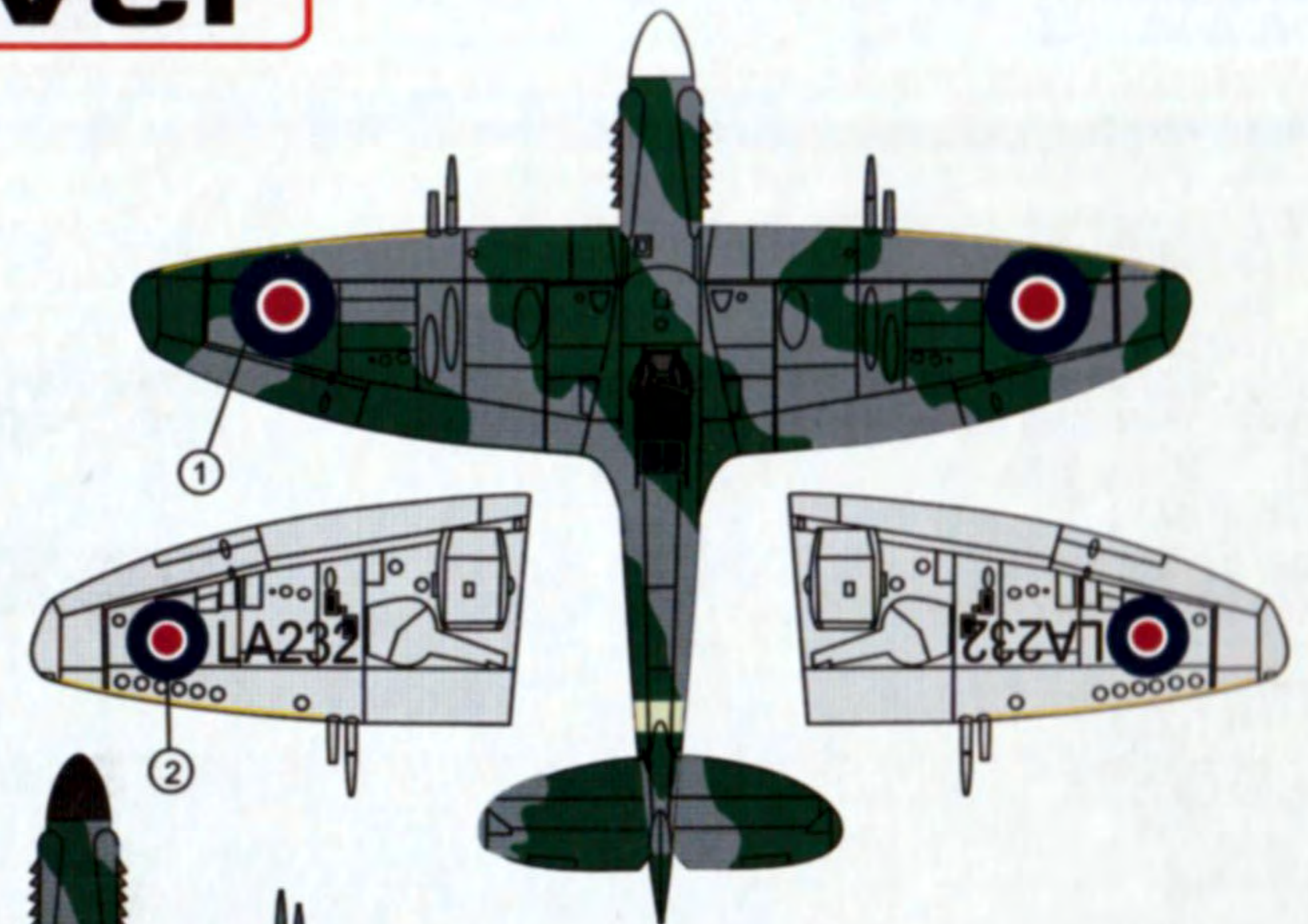
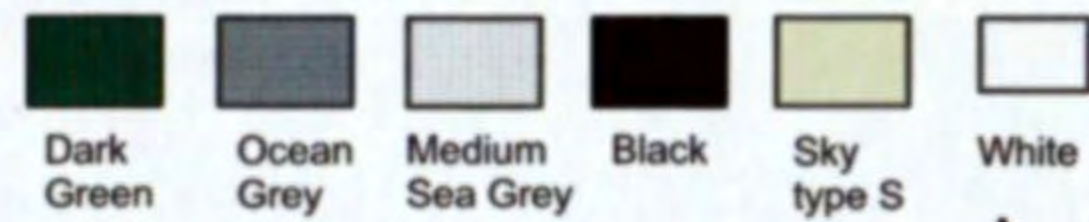
Supermarine Spitfire MK 21



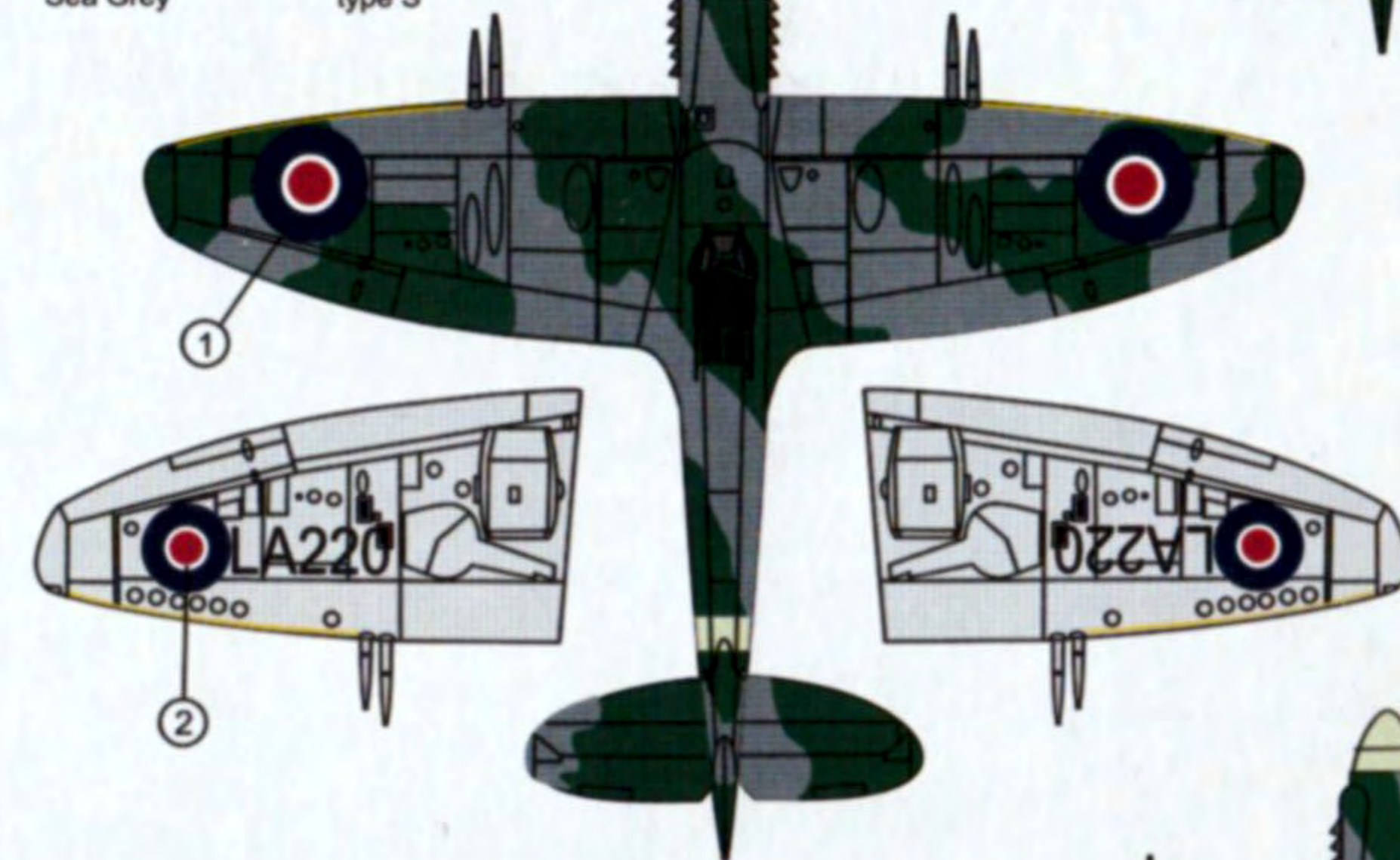
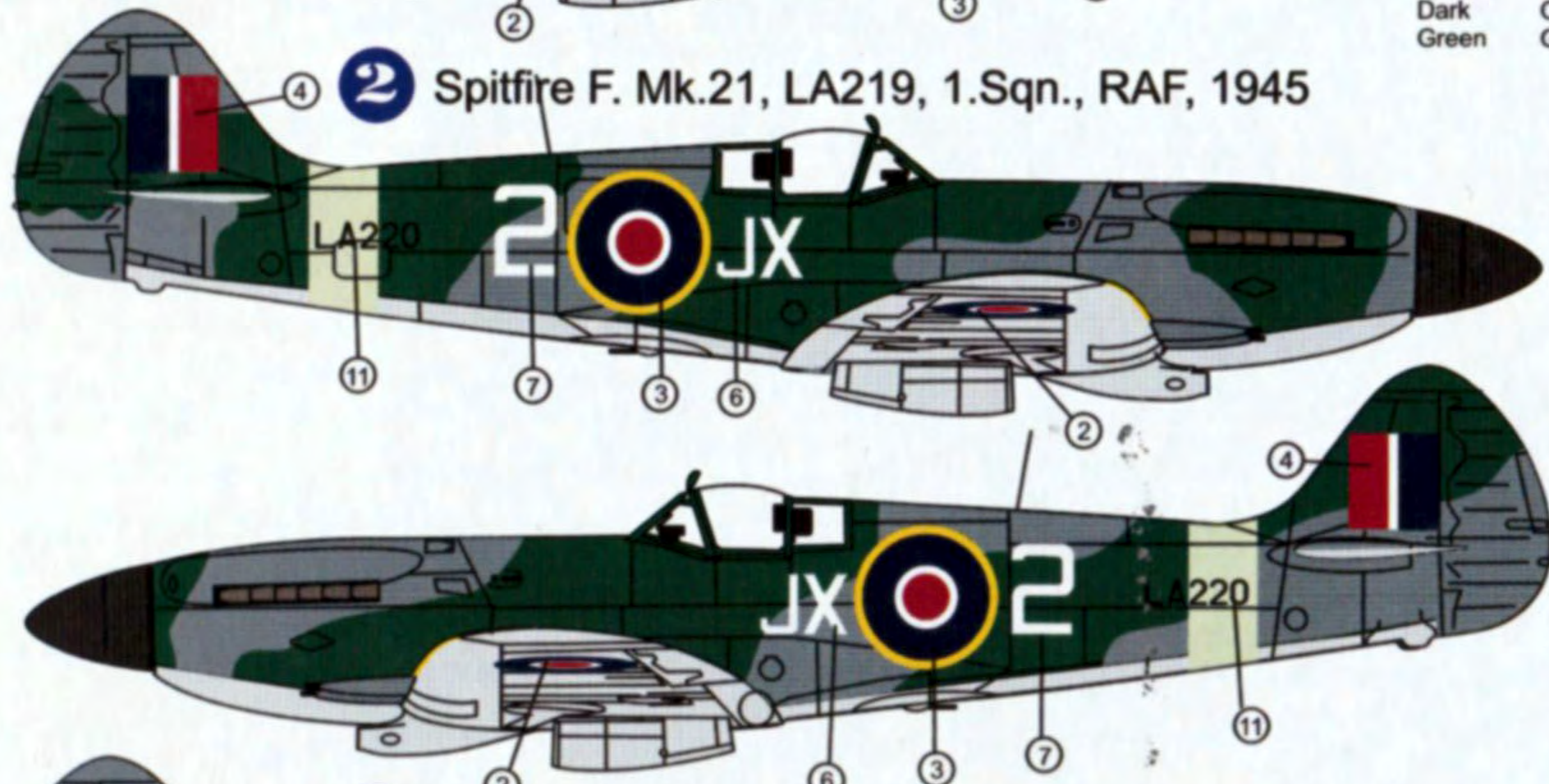
Supermarine SPITFIRE F.MK 21

Silver AZ

1 Spitfire F. Mk.21, LA232, AOC of 12 Group, RAF, 1945, flown by Air Vice Marshal J. W. Baker



2 Spitfire F. Mk.21, LA219, 1.Sqn., RAF, 1945



3 Spitfire F. Mk.21, LA215, Central Fighter Establishment

