

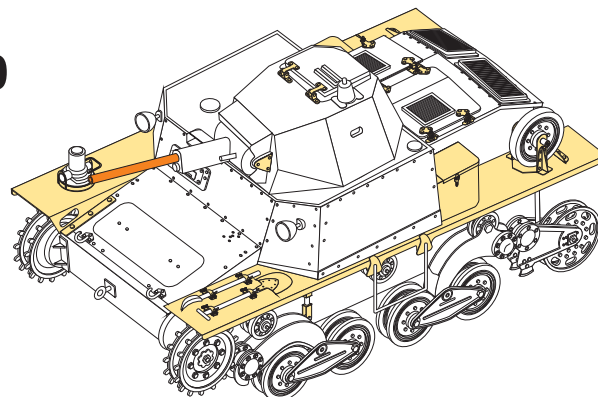
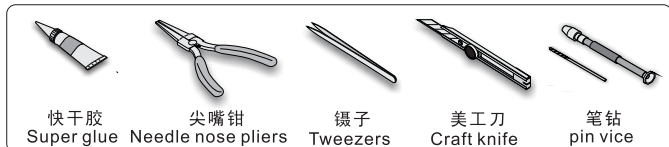
1/35 MILITARY MINIATURE VEHICLE UPGRADE SERIES PE35214










WWII ITALY Carro Armato L6/40

二战意大利L6/40轻型坦克改造件

[For ITALERI 6469/TAMIYA 89783]


推荐使用工具 RECOMMENDED TOOLS

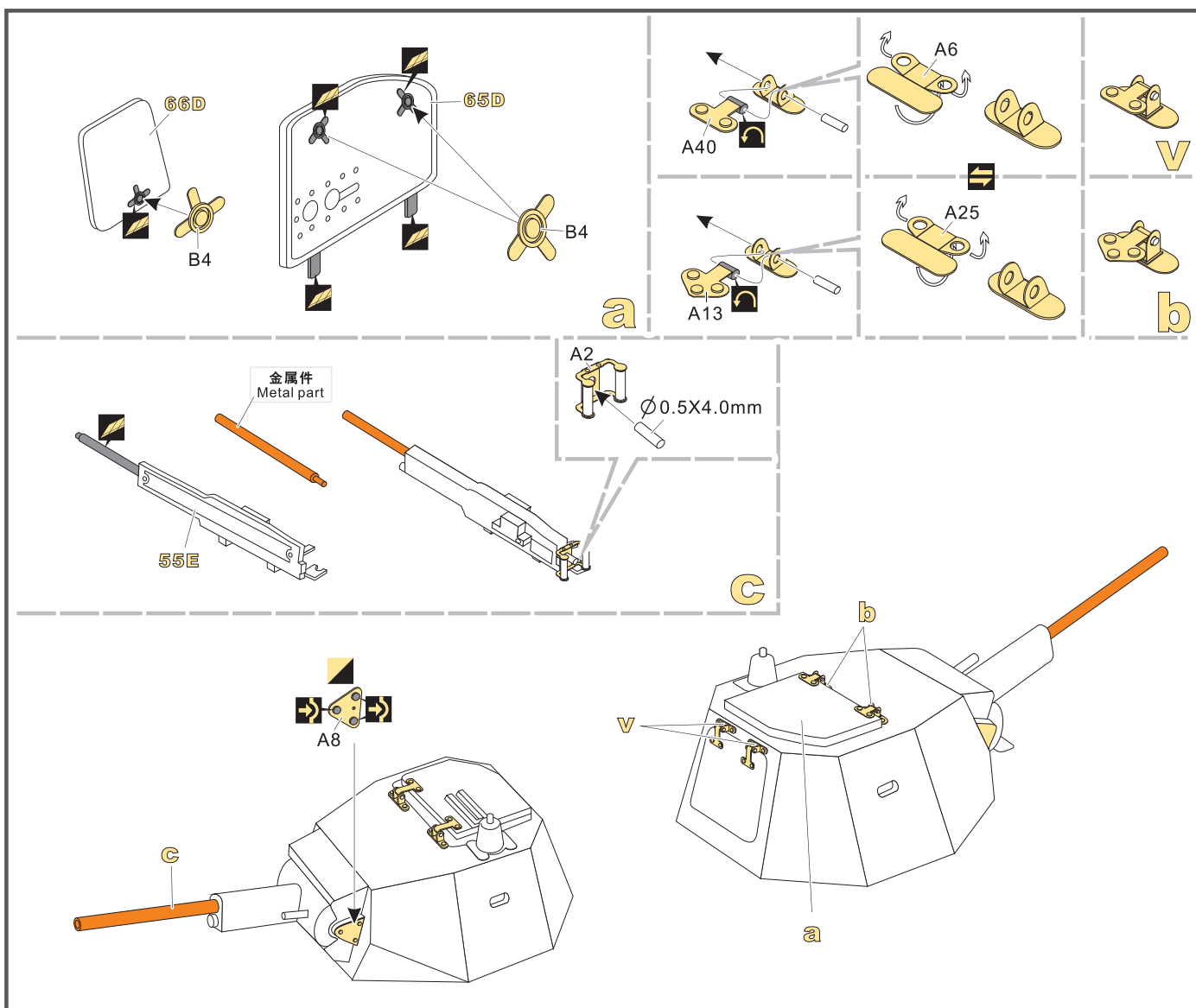
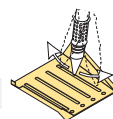


- 
安装
install
- 
折叠
bend
- A1**
改造件零件编号
PE/resin part number
- B12**
原零件编号
kit part number
- C22**
被替换的原零件编号
replaced kit part number
- 
 另一侧相同制作
repeat on opposite side
- 
切除
remove
- 
打磨
grind off
- 
弧度卷曲
radial bending
- x2**
制作若干组
multiple assembly
- 
选择安装
alternative
- 
钻孔
drill
- 
用胶棒制作
make from plastic rod

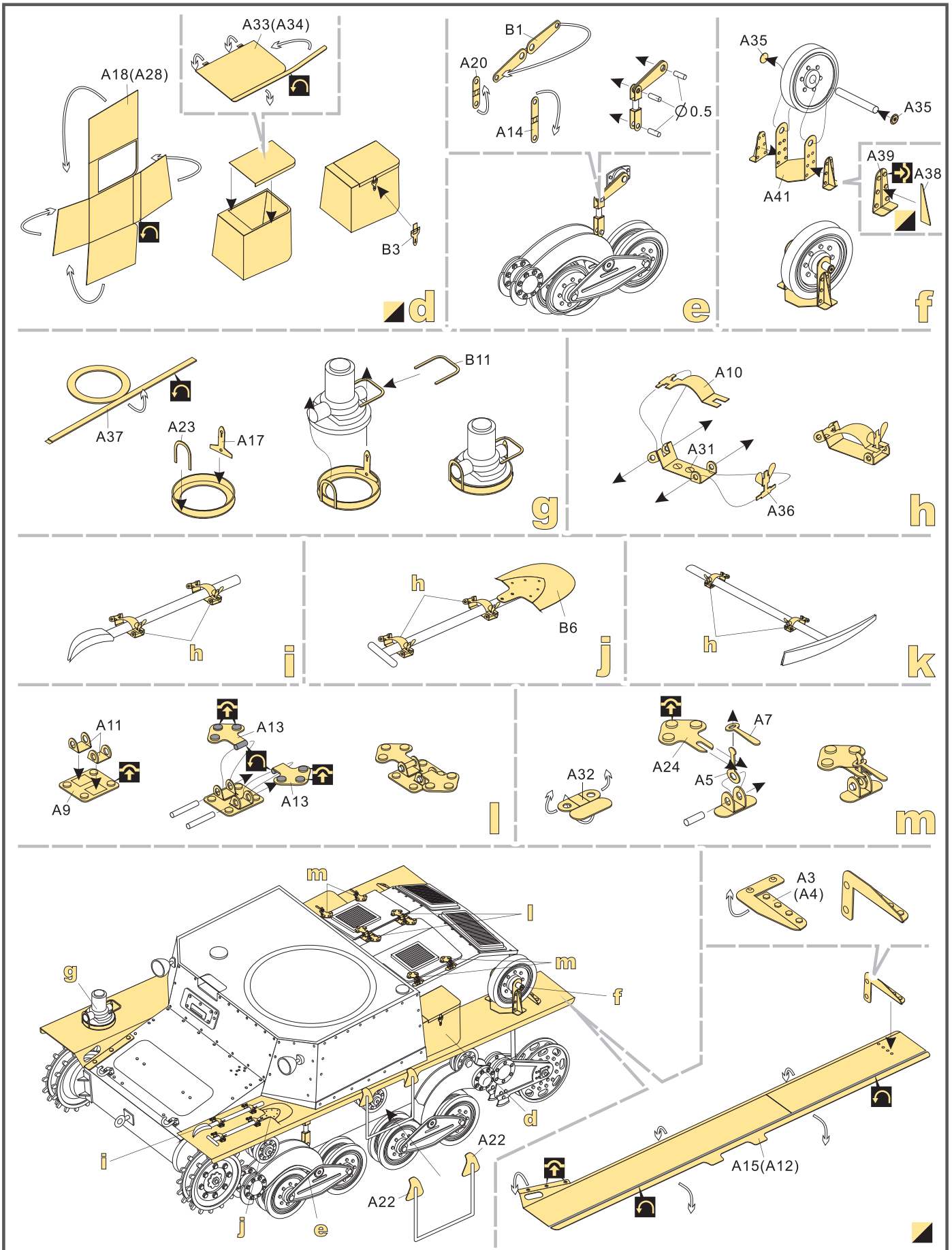
 用尖端在凹槽处冲压
use penpoint to press on the dent

 蚀刻片零件内侧面向上
Put the part upside down

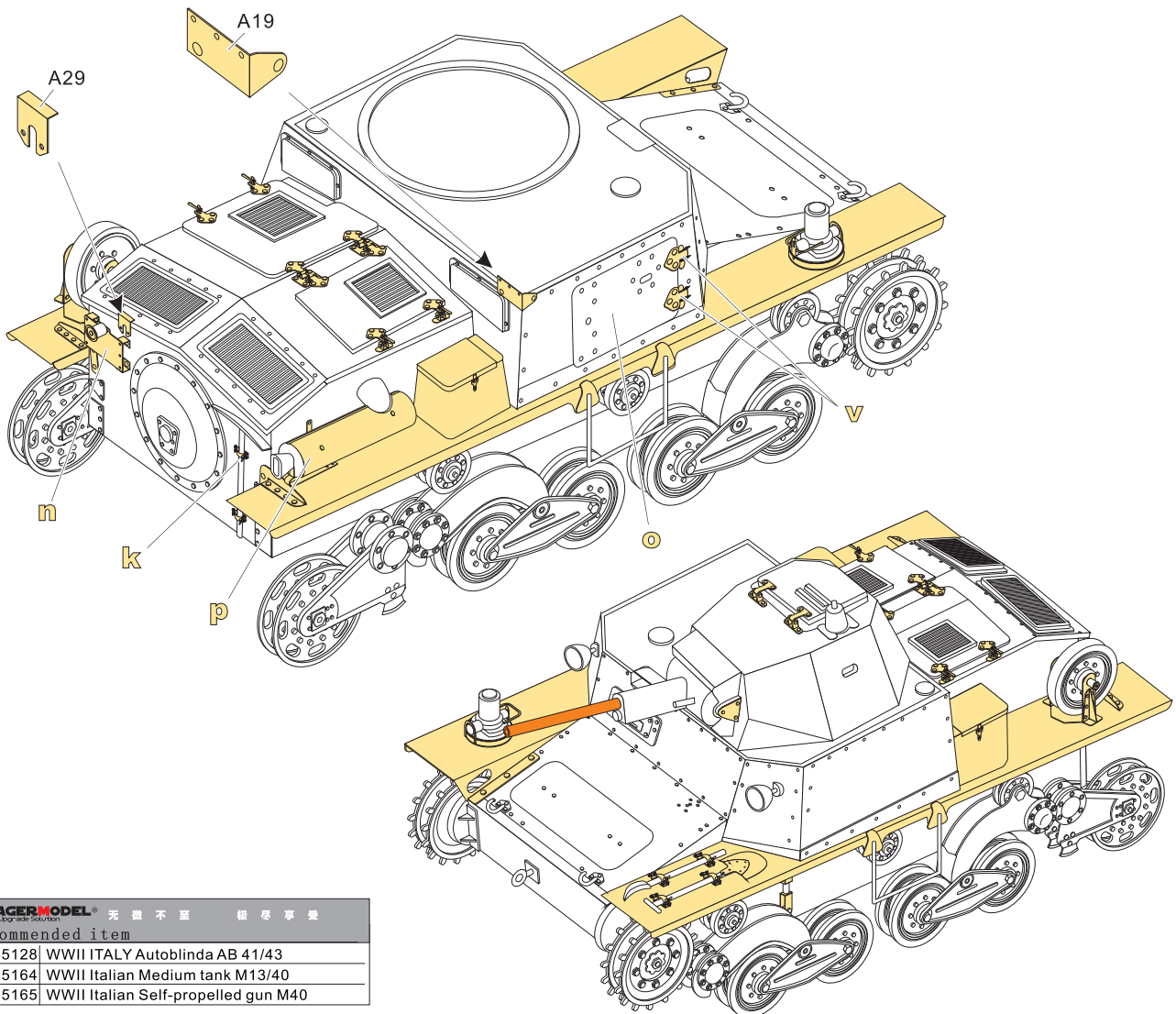
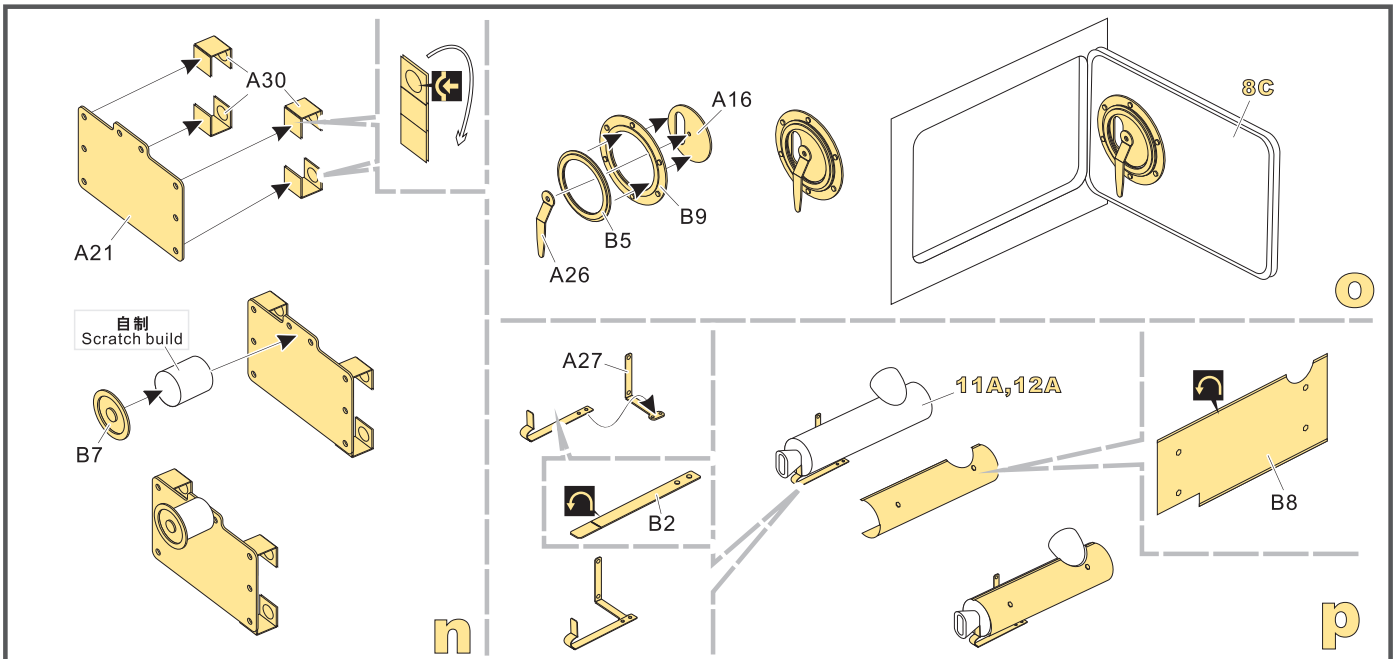
 用笔尖在凹槽处刺
Use penpoint to press on the dent



1/35 MILITARY MINIATURE VEHICLE UPGRADE SERIES PE35214



1/35 MILITARY MINIATURE VEHICLE UPGRADE SERIES PE35214



VOYAGERMODEL[®] 无微不至 极尽享受
The Best Upgrade Solution

Recommended item

- | | |
|----------|-------------------------------------|
| PE 35128 | WWII ITALY Autoblinda AB 41/43 |
| PE 35164 | WWII Italian Medium tank M13/40 |
| PE 35165 | WWII Italian Self-propelled gun M40 |