



## 1/35 SCALE MODEL CONSTRUCTION KIT

# DODGE M6 37mm ANTI-TANK GUN CARRIAGE

One of the new, larger and wider scale kits in the Special Model line, the Dodge M6 anti-tank gun model is a fine example of the Dodge 4mm line. The Dodge M6 anti-tank gun carriage, known as the M6, was the first of its kind. It was developed by the Dodge 4mm line. The Dodge M6 anti-tank gun carriage, known as the M6, was the first of its kind. It was developed by the Dodge 4mm line. The Dodge M6 anti-tank gun carriage, known as the M6, was the first of its kind. It was developed by the Dodge 4mm line.

The Dodge M6 anti-tank gun carriage, known as the M6, was the first of its kind. It was developed by the Dodge 4mm line. The Dodge M6 anti-tank gun carriage, known as the M6, was the first of its kind. It was developed by the Dodge 4mm line. The Dodge M6 anti-tank gun carriage, known as the M6, was the first of its kind. It was developed by the Dodge 4mm line.

The Dodge M6 anti-tank gun carriage, known as the M6, was the first of its kind. It was developed by the Dodge 4mm line. The Dodge M6 anti-tank gun carriage, known as the M6, was the first of its kind. It was developed by the Dodge 4mm line. The Dodge M6 anti-tank gun carriage, known as the M6, was the first of its kind. It was developed by the Dodge 4mm line.

**GENERAL INSTRUCTIONS**  
It is recommended that you read the instructions before you start construction. The instructions are printed in English, French, German, Italian, Spanish, and Japanese. Please refer to the instructions for the correct assembly sequence.

The following parts are NOT required for the construction of this kit: A14, A15, A30, A31, A32, A40, A41, B3, B21, C9, E5, F3, F4.

The Dodge M6 anti-tank gun carriage, known as the M6, was the first of its kind. It was developed by the Dodge 4mm line. The Dodge M6 anti-tank gun carriage, known as the M6, was the first of its kind. It was developed by the Dodge 4mm line. The Dodge M6 anti-tank gun carriage, known as the M6, was the first of its kind. It was developed by the Dodge 4mm line.

The Dodge M6 anti-tank gun carriage, known as the M6, was the first of its kind. It was developed by the Dodge 4mm line. The Dodge M6 anti-tank gun carriage, known as the M6, was the first of its kind. It was developed by the Dodge 4mm line. The Dodge M6 anti-tank gun carriage, known as the M6, was the first of its kind. It was developed by the Dodge 4mm line.

The Dodge M6 anti-tank gun carriage, known as the M6, was the first of its kind. It was developed by the Dodge 4mm line. The Dodge M6 anti-tank gun carriage, known as the M6, was the first of its kind. It was developed by the Dodge 4mm line. The Dodge M6 anti-tank gun carriage, known as the M6, was the first of its kind. It was developed by the Dodge 4mm line.

**INSTRUCTIONS GÉNÉRALES**  
Il est recommandé de lire les instructions avant de commencer la construction. Les instructions sont imprimées en anglais, français, allemand, italien, espagnol et japonais. Veuillez vous référer aux instructions pour la séquence d'assemblage correcte.

Les pièces suivantes ne sont pas nécessaires pour la construction de ce kit: A14, A15, A30, A31, A32, A40, A41, B3, B21, C9, E5, F3, F4.

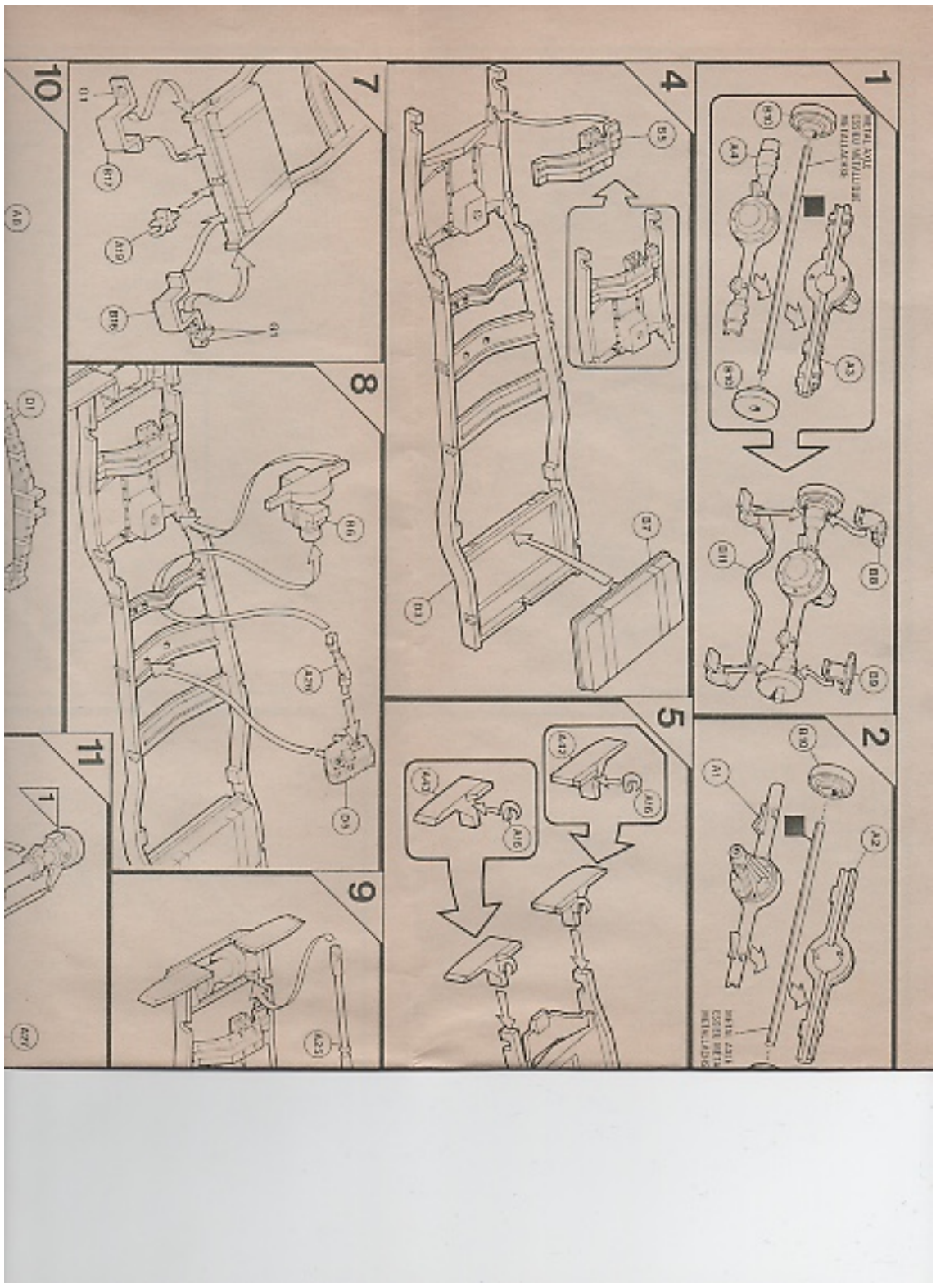
The Dodge M6 anti-tank gun carriage, known as the M6, was the first of its kind. It was developed by the Dodge 4mm line. The Dodge M6 anti-tank gun carriage, known as the M6, was the first of its kind. It was developed by the Dodge 4mm line. The Dodge M6 anti-tank gun carriage, known as the M6, was the first of its kind. It was developed by the Dodge 4mm line.

The Dodge M6 anti-tank gun carriage, known as the M6, was the first of its kind. It was developed by the Dodge 4mm line. The Dodge M6 anti-tank gun carriage, known as the M6, was the first of its kind. It was developed by the Dodge 4mm line. The Dodge M6 anti-tank gun carriage, known as the M6, was the first of its kind. It was developed by the Dodge 4mm line.

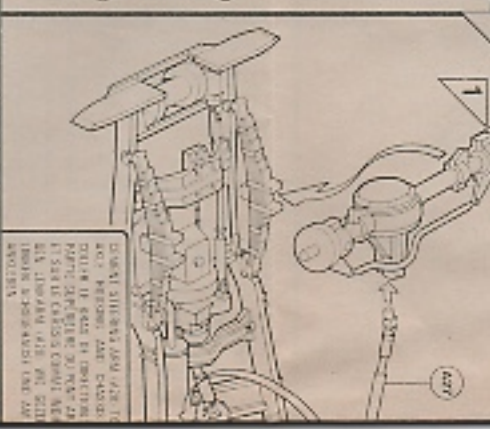
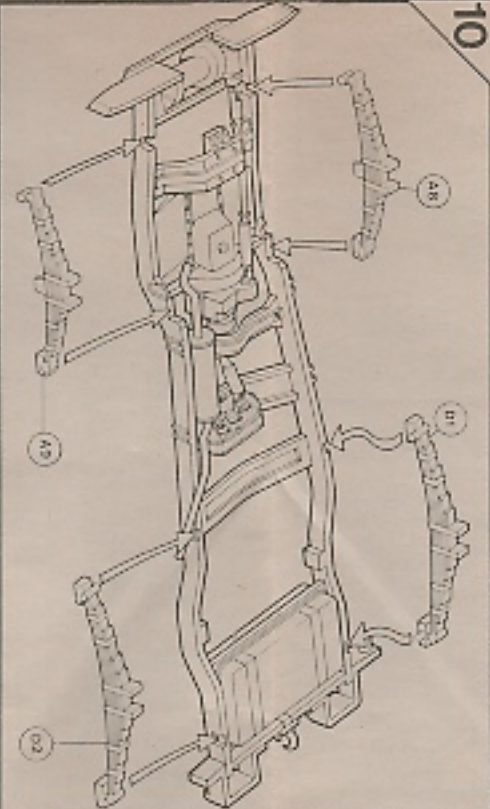
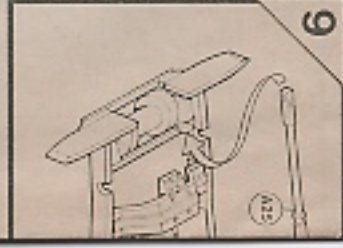
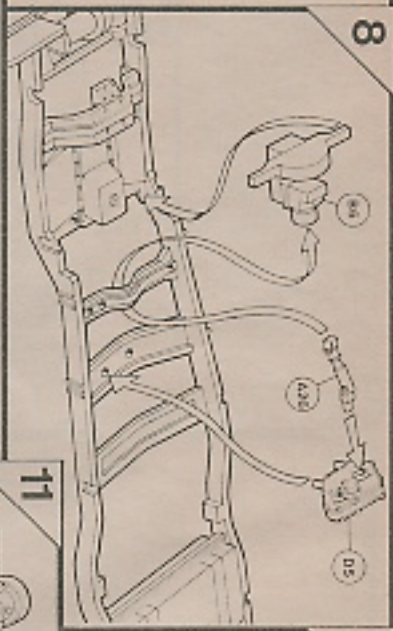
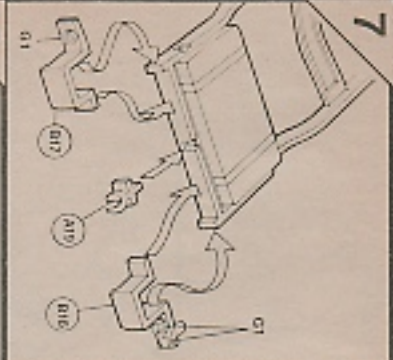
The Dodge M6 anti-tank gun carriage, known as the M6, was the first of its kind. It was developed by the Dodge 4mm line. The Dodge M6 anti-tank gun carriage, known as the M6, was the first of its kind. It was developed by the Dodge 4mm line. The Dodge M6 anti-tank gun carriage, known as the M6, was the first of its kind. It was developed by the Dodge 4mm line.

**ALLGEMEINE BAUTIPS**  
Vor dem Zusammenbau des Modells sollten Sie die Bauanleitung sorgfältig lesen. Die Bauanleitung ist in Englisch, Französisch, Deutsch, Italienisch, Spanisch und Japanisch gedruckt. Bitte lesen Sie die Bauanleitung für die richtige Reihenfolge der Bauteile.

Die folgenden Teile werden für die Montage dieses Bausatzes nicht benötigt: A14, A15, A30, A31, A32, A40, A41, B3, B21, C9, E5, F3, F4.





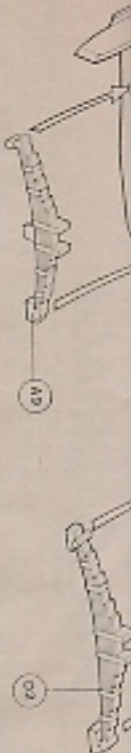


El propósito de este manual es proporcionar información para el usuario de este equipo. Este manual debe ser leído cuidadosamente antes de utilizar el equipo. Este manual debe ser leído cuidadosamente antes de utilizar el equipo. Este manual debe ser leído cuidadosamente antes de utilizar el equipo.



DISPOSITIVO DE SEGURIDAD PARA EL USUARIO. Este dispositivo debe ser leído cuidadosamente antes de utilizar el equipo. Este manual debe ser leído cuidadosamente antes de utilizar el equipo. Este manual debe ser leído cuidadosamente antes de utilizar el equipo.

1. OPEN LID LATCH AND LIFT LID.  
 2. REMOVE COVER FROM THE FRONT OF THE UNIT.  
 3. REMOVE THE FRONT COVER FROM THE FRONT OF THE UNIT.  
 4. REMOVE THE FRONT COVER FROM THE FRONT OF THE UNIT.  
 5. REMOVE THE FRONT COVER FROM THE FRONT OF THE UNIT.  
 6. REMOVE THE FRONT COVER FROM THE FRONT OF THE UNIT.  
 7. REMOVE THE FRONT COVER FROM THE FRONT OF THE UNIT.



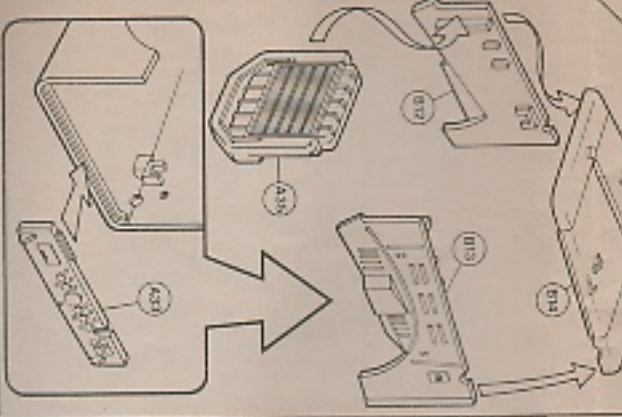
12

ALL OPTIONS ARE OPTIONAL.  
 THIS IS PRESUMED TO BE THE CASE.  
 ALL PARTS ARE OPTIONAL.

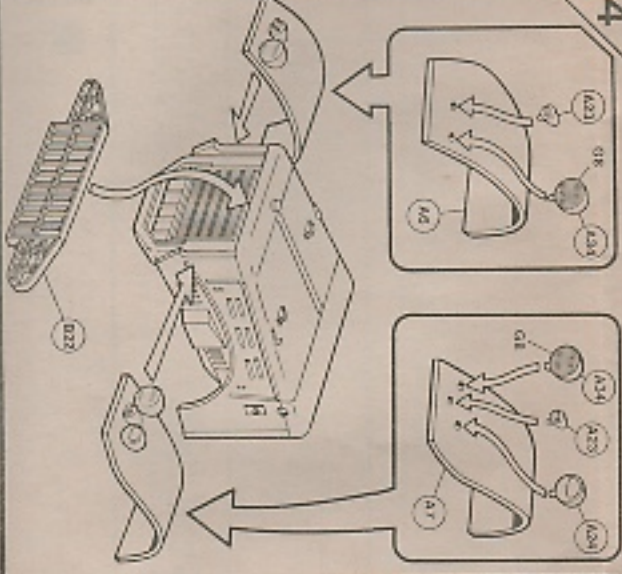


1. Figure 12 shows the optional front cover being installed on the front of the unit. The front cover is optional and is not included in the standard equipment. The front cover is made of plastic and is available in two colors: black and white. The front cover is attached to the front of the unit by means of screws. The front cover is shown in Figure 12. The front cover is shown in Figure 13. The front cover is shown in Figure 14. The front cover is shown in Figure 15. The front cover is shown in Figure 16. The front cover is shown in Figure 17. The front cover is shown in Figure 18. The front cover is shown in Figure 19. The front cover is shown in Figure 20. The front cover is shown in Figure 21. The front cover is shown in Figure 22. The front cover is shown in Figure 23. The front cover is shown in Figure 24. The front cover is shown in Figure 25. The front cover is shown in Figure 26. The front cover is shown in Figure 27. The front cover is shown in Figure 28. The front cover is shown in Figure 29. The front cover is shown in Figure 30. The front cover is shown in Figure 31. The front cover is shown in Figure 32. The front cover is shown in Figure 33. The front cover is shown in Figure 34. The front cover is shown in Figure 35. The front cover is shown in Figure 36. The front cover is shown in Figure 37. The front cover is shown in Figure 38. The front cover is shown in Figure 39. The front cover is shown in Figure 40. The front cover is shown in Figure 41. The front cover is shown in Figure 42. The front cover is shown in Figure 43. The front cover is shown in Figure 44. The front cover is shown in Figure 45. The front cover is shown in Figure 46. The front cover is shown in Figure 47. The front cover is shown in Figure 48. The front cover is shown in Figure 49. The front cover is shown in Figure 50. The front cover is shown in Figure 51. The front cover is shown in Figure 52. The front cover is shown in Figure 53. The front cover is shown in Figure 54. The front cover is shown in Figure 55. The front cover is shown in Figure 56. The front cover is shown in Figure 57. The front cover is shown in Figure 58. The front cover is shown in Figure 59. The front cover is shown in Figure 60. The front cover is shown in Figure 61. The front cover is shown in Figure 62. The front cover is shown in Figure 63. The front cover is shown in Figure 64. The front cover is shown in Figure 65. The front cover is shown in Figure 66. The front cover is shown in Figure 67. The front cover is shown in Figure 68. The front cover is shown in Figure 69. The front cover is shown in Figure 70. The front cover is shown in Figure 71. The front cover is shown in Figure 72. The front cover is shown in Figure 73. The front cover is shown in Figure 74. The front cover is shown in Figure 75. The front cover is shown in Figure 76. The front cover is shown in Figure 77. The front cover is shown in Figure 78. The front cover is shown in Figure 79. The front cover is shown in Figure 80. The front cover is shown in Figure 81. The front cover is shown in Figure 82. The front cover is shown in Figure 83. The front cover is shown in Figure 84. The front cover is shown in Figure 85. The front cover is shown in Figure 86. The front cover is shown in Figure 87. The front cover is shown in Figure 88. The front cover is shown in Figure 89. The front cover is shown in Figure 90. The front cover is shown in Figure 91. The front cover is shown in Figure 92. The front cover is shown in Figure 93. The front cover is shown in Figure 94. The front cover is shown in Figure 95. The front cover is shown in Figure 96. The front cover is shown in Figure 97. The front cover is shown in Figure 98. The front cover is shown in Figure 99. The front cover is shown in Figure 100.

13



14



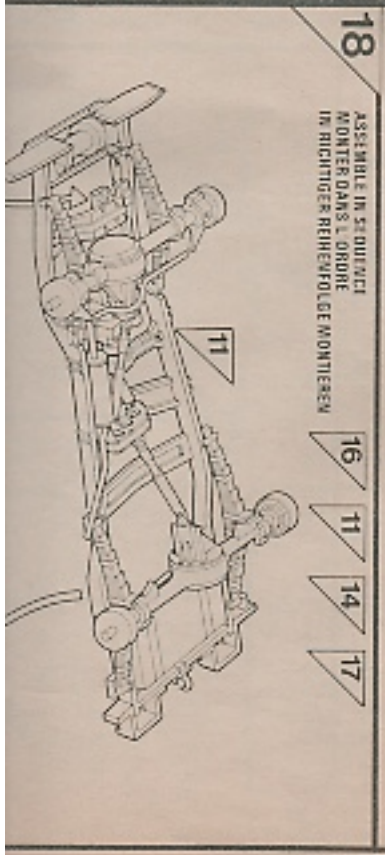
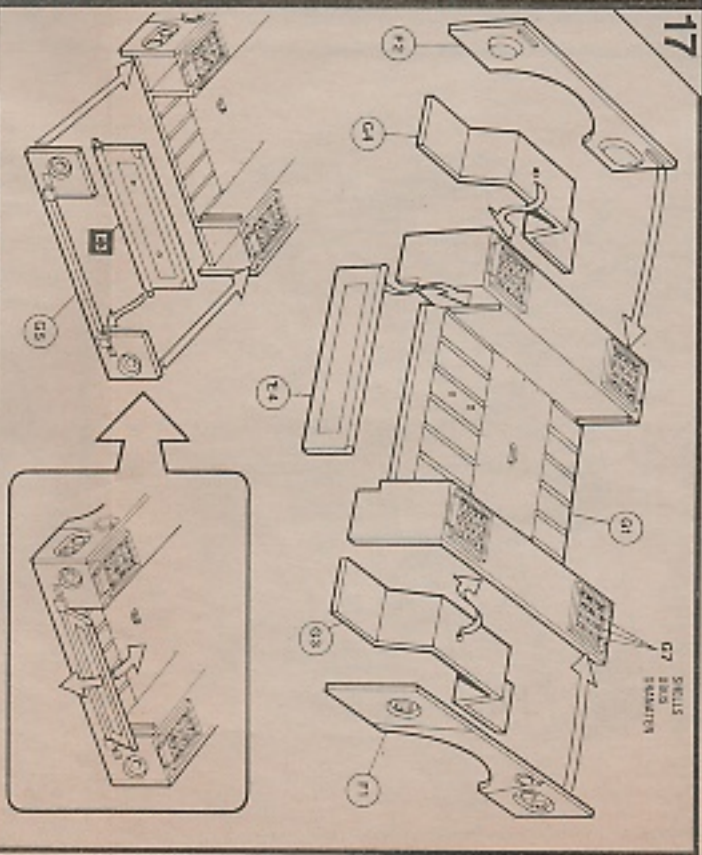
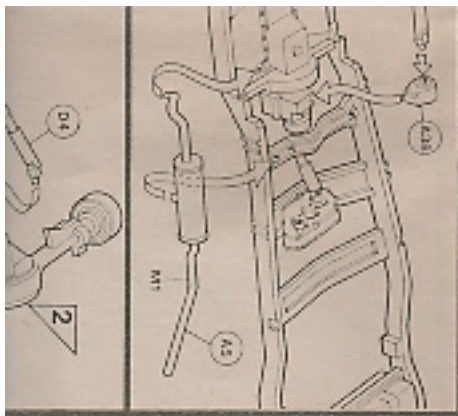
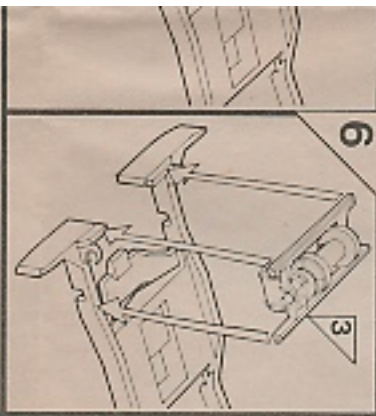
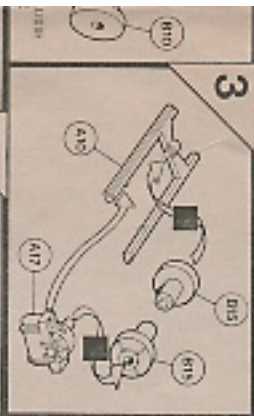
15



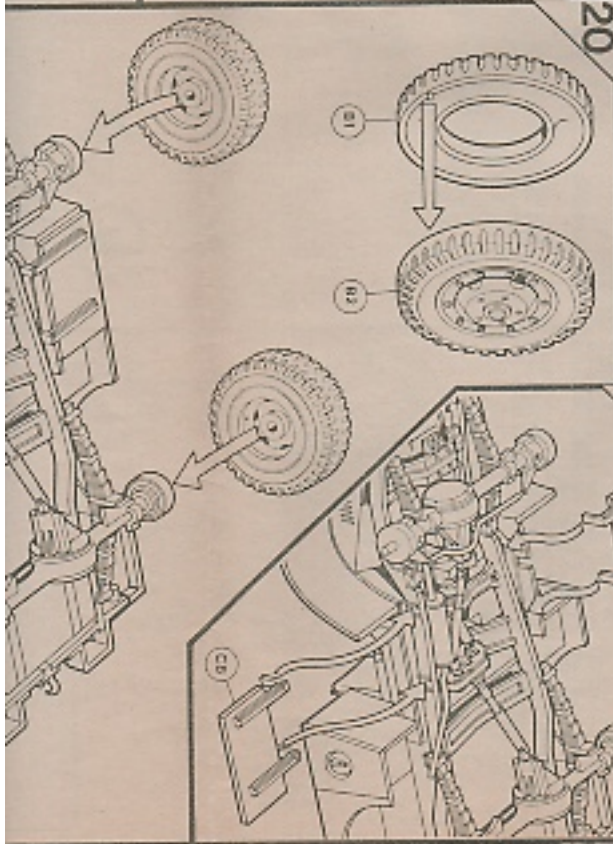
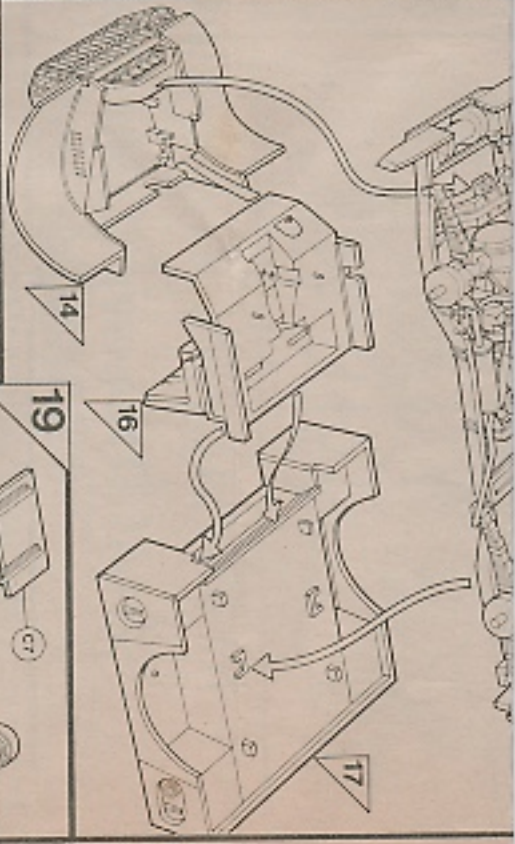
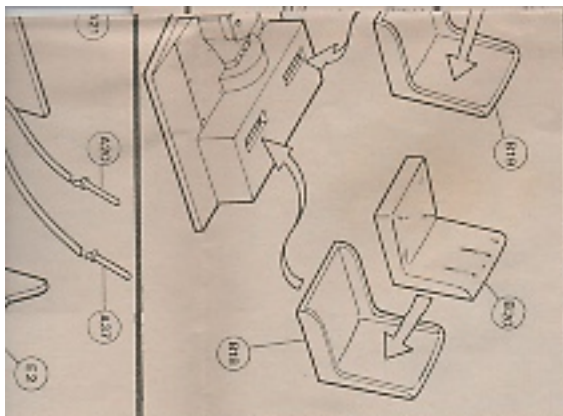
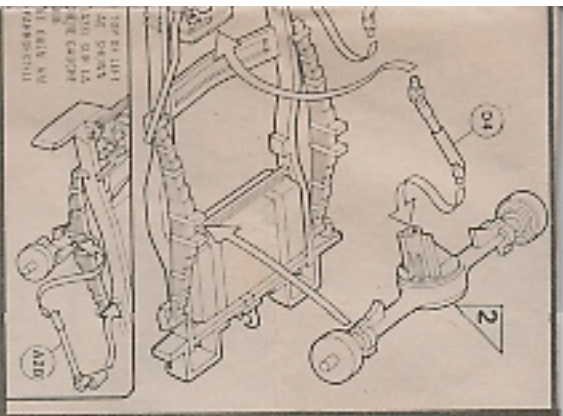
16







ASSEMBLE IN SEQUENCI  
MONTER DANS L'ORDRE  
IM RICHTIGER REIHE/FOLGE MONTIEREN



20

19



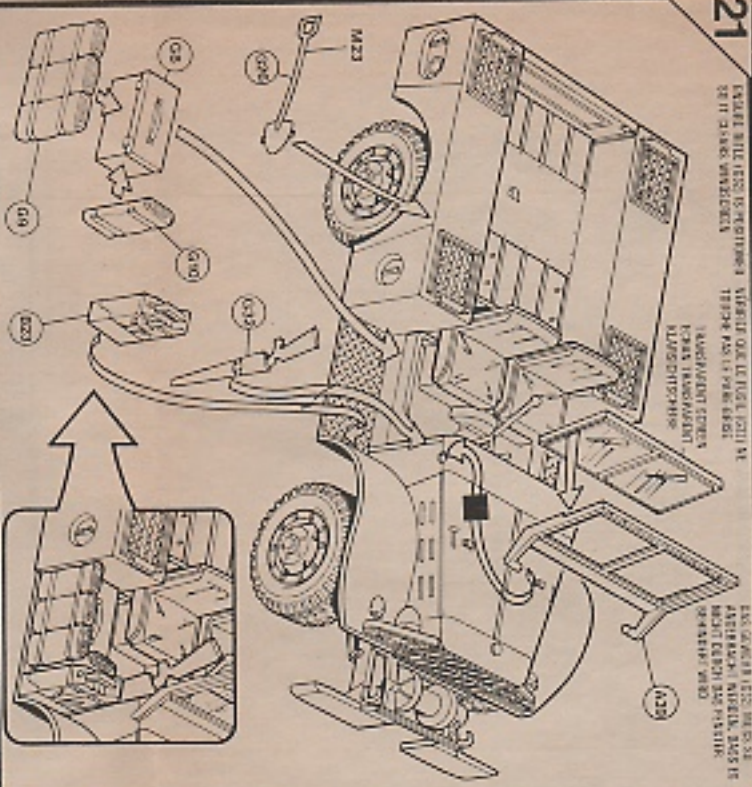


21

ENLACE BILE (22) E MONTARE I VANTALI DEL TETTO (21) IN  
SE ITI CLASSI SENSIBILI

MANICAREI CORRE  
MANTENIMENTO  
ALTERNATIVE

ENL GOMME (22) MONTARE  
MONTARE MANICAREI CORRE  
MANTENIMENTO ALTERNATIVE



22

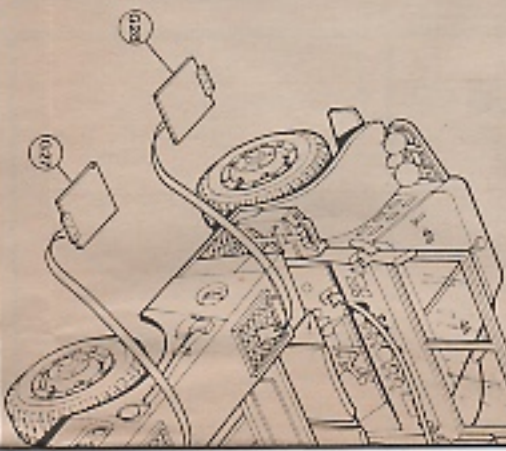
ENLACE BILE (22) E MONTARE I  
SE ITI CLASSI SENSIBILI

ENL GOMME (22) MONTARE  
MONTARE MANICAREI CORRE  
MANTENIMENTO ALTERNATIVE

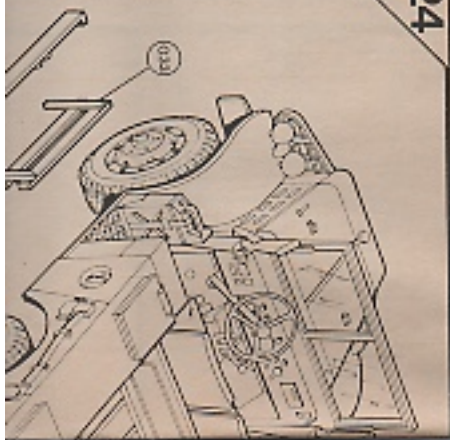


23

AT THE STEEL, BARRA E MONTARE, SULLA  
MONTARE MANICAREI CORRE  
MANTENIMENTO ALTERNATIVE  
MONTARE MANICAREI CORRE  
MANTENIMENTO ALTERNATIVE  
MONTARE MANICAREI CORRE  
MANTENIMENTO ALTERNATIVE  
MONTARE MANICAREI CORRE  
MANTENIMENTO ALTERNATIVE

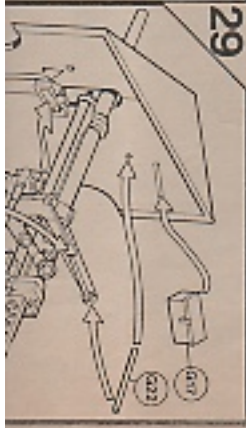
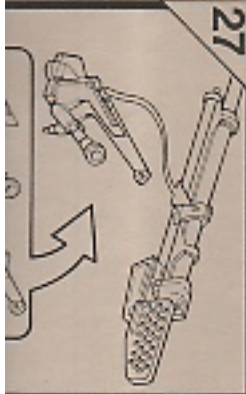
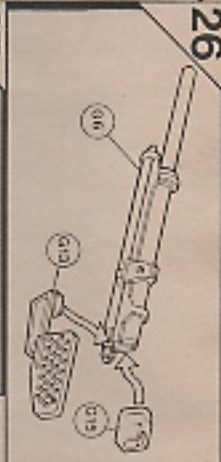
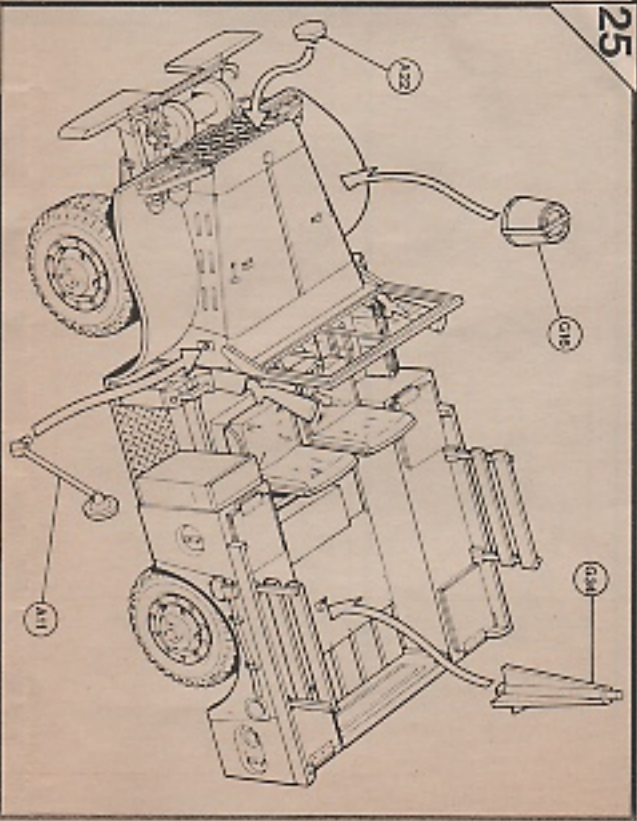
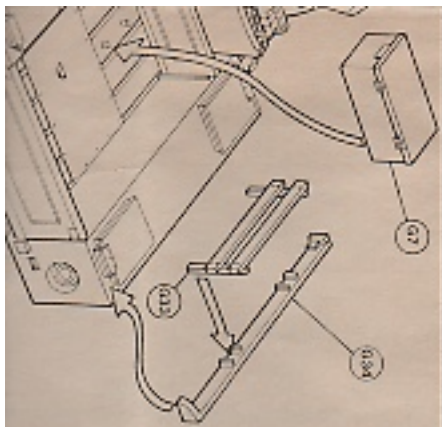
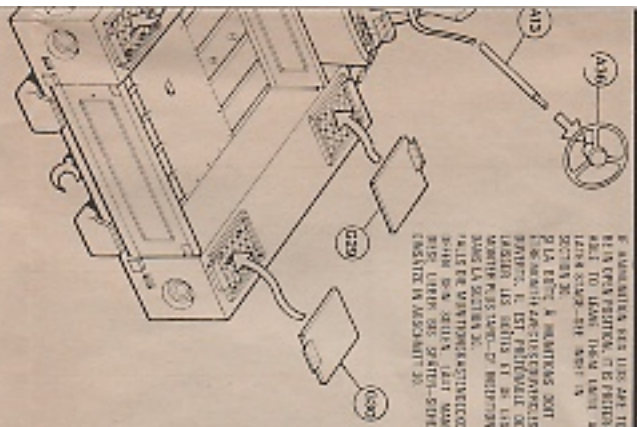


24





25  
 26  
 27  
 28  
 29



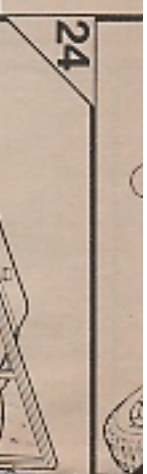




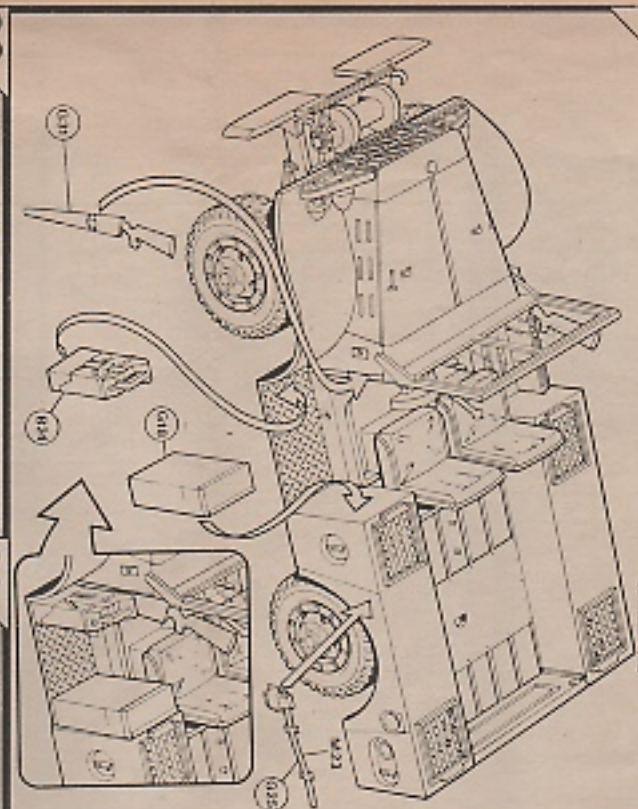


22

ENLACE BILE SAU D PROGRANO  
 SAU CI CLASOR INMEDIATA  
 APOARA CE LA FOLIE SAU SE  
 TRECER PAG LI PAPER SHEET  
 LAS ZEPURAS SAU MARE SA  
 ABAZUJAT MARE, DASTIS  
 MARE ZEPURAS MARE  
 ECHIBUAT MARE

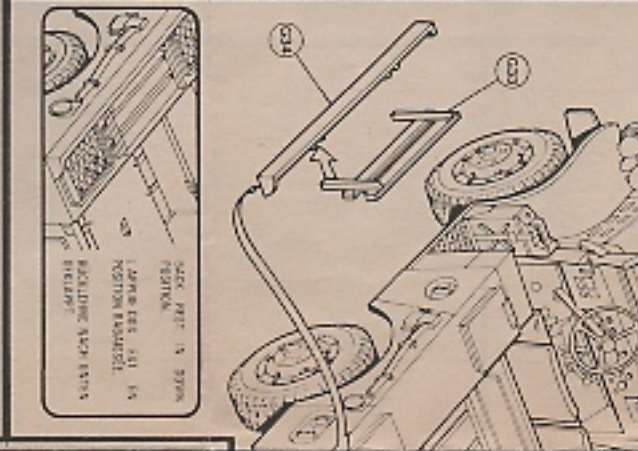


24



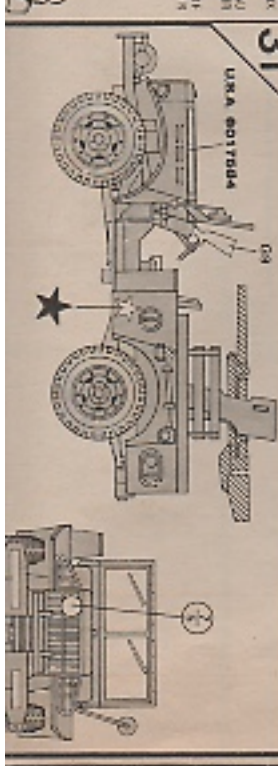
30

DO NOT OILY. FOR APPROX. 1% SUPPORT FOR  
 RESISTO POSITION OF HEADS. SEE BOX  
 INSTRUCTION  
 SI PAS CRUITE LIMBUTRI MARE  
 DEPREZ. VOR LA FOLIE DEZ FOLIE. VOR  
 LA RESISTANZA MARE  
 PASAPRINTI SAU 27 ES 853 SAU 27 MARE  
 PLATTE MARE MARE. YORSCHELE 27 M  
 MARE MARE SAU MARE



SAU MARE LA 27 MARE  
 FOLIE  
 LA MARE SAU SAU SA  
 MARE MARE  
 MARE SAU MARE

31



UR MARE

