



Odlévaný set / All resin set

7448

1/72

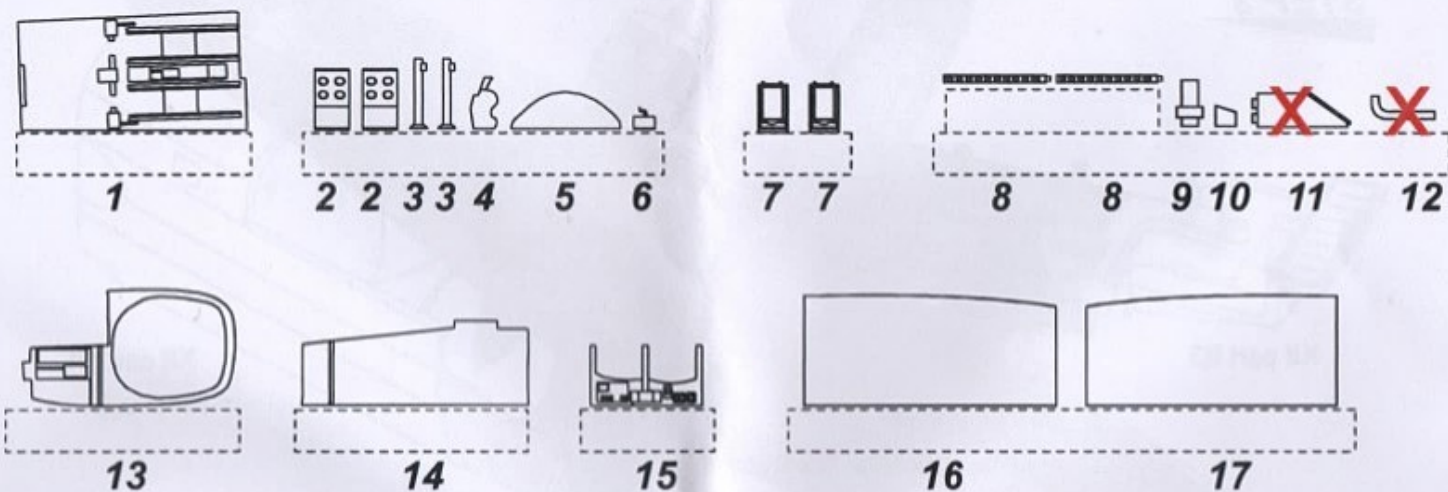
B-25G Mitchell Conversion Set

for Airfix B-25C/D kit

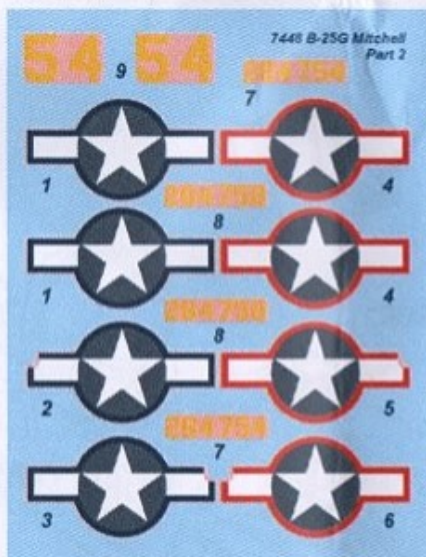
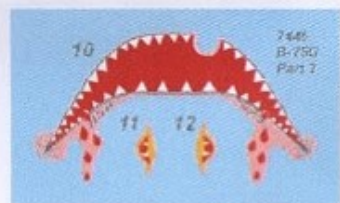
Visit our official website and e-shop at

www.cmkkits.com
www.specialhobby.eu

PUR - Polyurethane parts



Decal Part 1+2



18

Photo-etched
Parts



Film

Díly ohnuté popř. pokroucené vlivem teplotních změn a stárnutí materiálu, mohou být narovnané do požadovaného tvaru pomocí proudu teplé vody nebo vzduchu (fén na vlasy). Různé drátky a tyčky nejsou přiloženy. Kontaktní plochy doporučujeme před lepením odmastit.

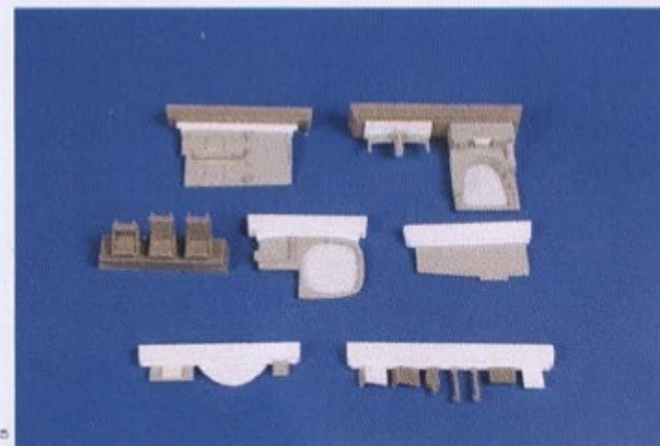
Parts slightly distorted and bent owing to temperature changes or due to material ageing can be straightened to requested shape by hot water or hot air jet (hair dryer). This process can be repeated till result is entirely satisfactory. Wires and rods not included. It is recommended to remove grease from contact areas

K lepení použít kyanokrylátové lepidlo / For best gluing results use cyanoacrylate glue!

SYMBOLS				
MOŽNOST VOLBY OPTIONAL NACH BELIEBEN OPTION	POUŽIT KYANOAKRYLÁTOVÉ LEPIDLO INSTANT CYANOACRYLATE GLUE ZYANOAKRYLÁTKLEBER ADHÉSIF CYANOACRYLAT	OHNOUT BEND BIEGEN COURBER	ZHOTOVIT NOVÉ SCRATCH BUILD FERTIGSTELLEN ACHEVER	ŘEZAT/VRTAT CUT OFF/DRILL ENTFERNEN DETACHER
			GSI colours code	NATRÍT COLOUR FARBEN PEINDRE

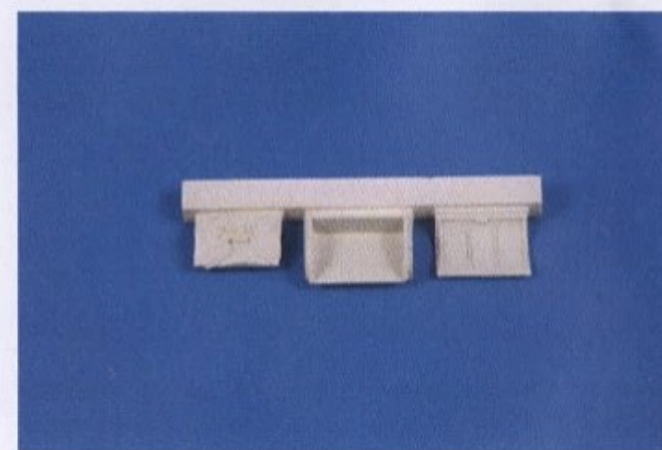
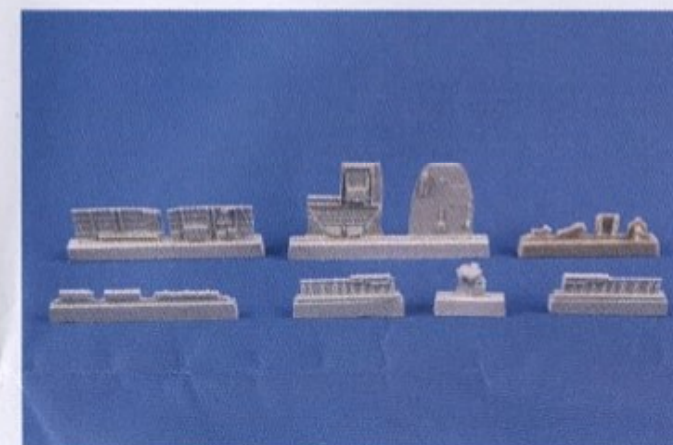
Producer: Special Hobby, Mezilesí 718, 193 00 Praha 9, Czech Republic

Other CMK resin sets for B-25C/D Mitchell (Airfix kit)

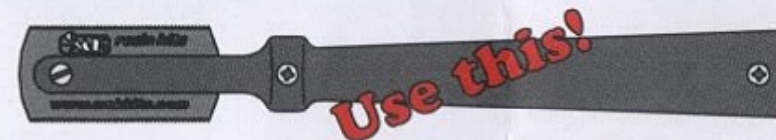


CMK 7428
B-25C/D Pilots' Cockpit
and Radio Compartment

CMK 7429
B-25C/D Nose
Compartment
(Bomb Aimer's Station)



CMK 7445
B-25C/D Dinghy

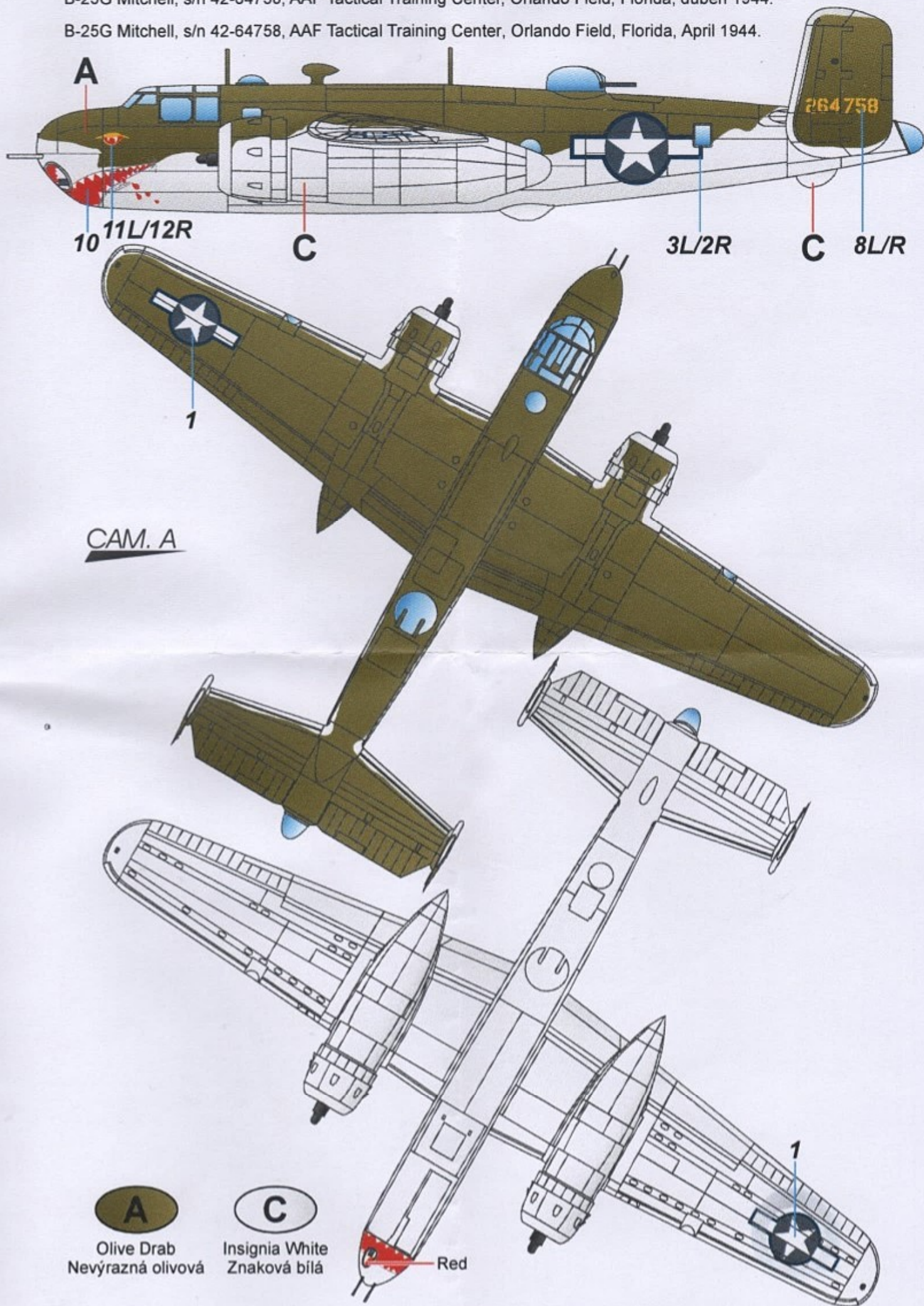


CMK H1010

The Razor Saw with Handle (cat. n. H1010) is a great tool for cutting both plastic and resin. CMK also offers a wide variety of coarse / medium / fine saws.

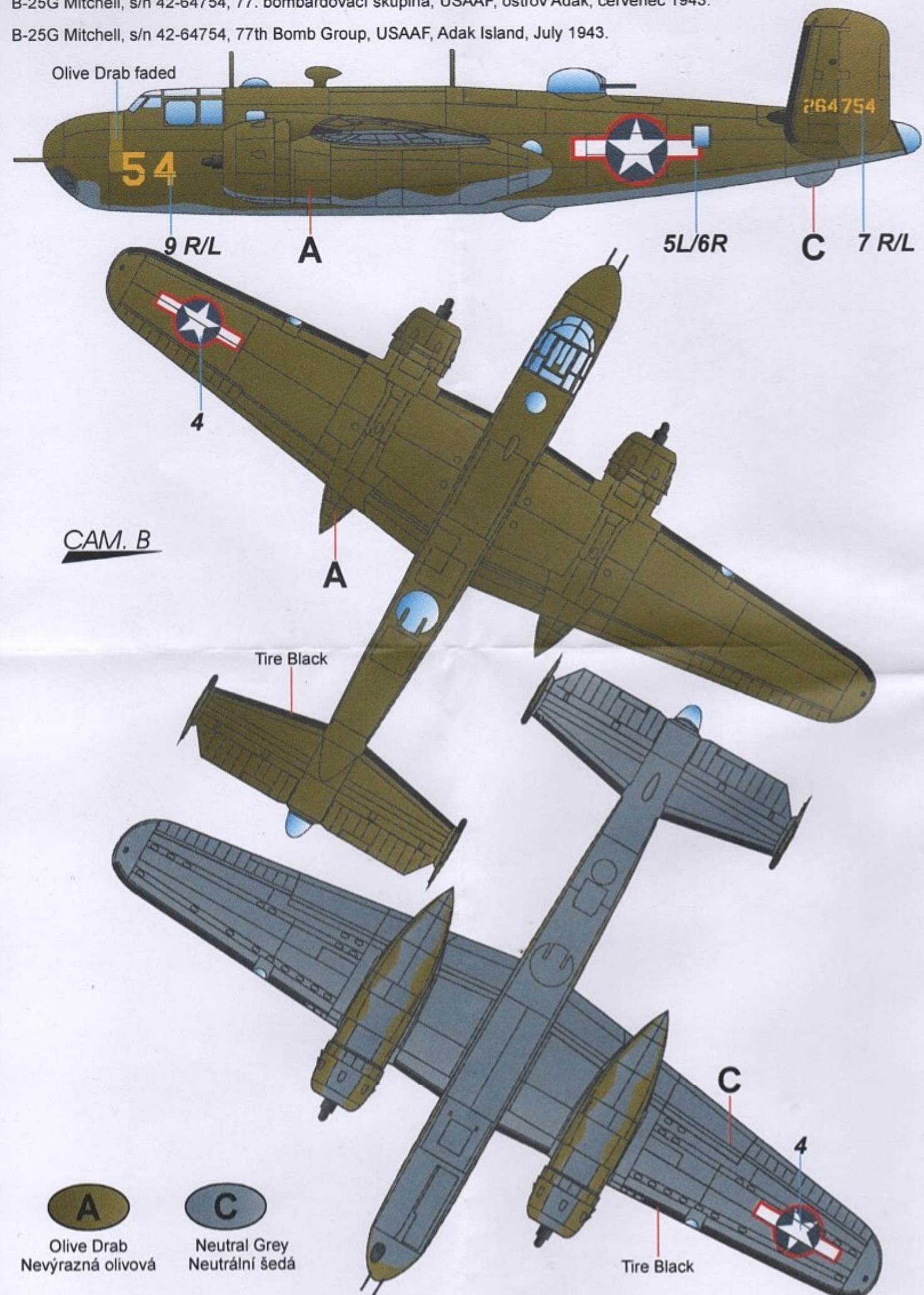
B-25G Mitchell, s/n 42-64758, AAF Tactical Training Center, Orlando Field, Florida, duben 1944.

B-25G Mitchell, s/n 42-64758, AAF Tactical Training Center, Orlando Field, Florida, April 1944.

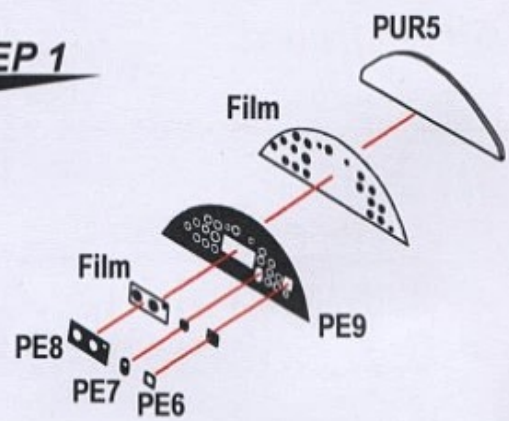


B-25G Mitchell, s/n 42-64754, 77. bombardovací skupina, USAAF, ostrov Adak, červenec 1943.

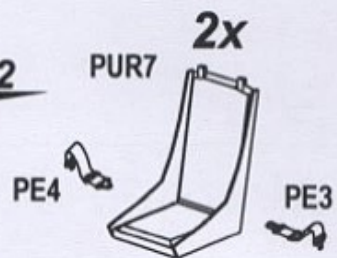
B-25G Mitchell, s/n 42-64754, 77th Bomb Group, USAAF, Adak Island, July 1943.



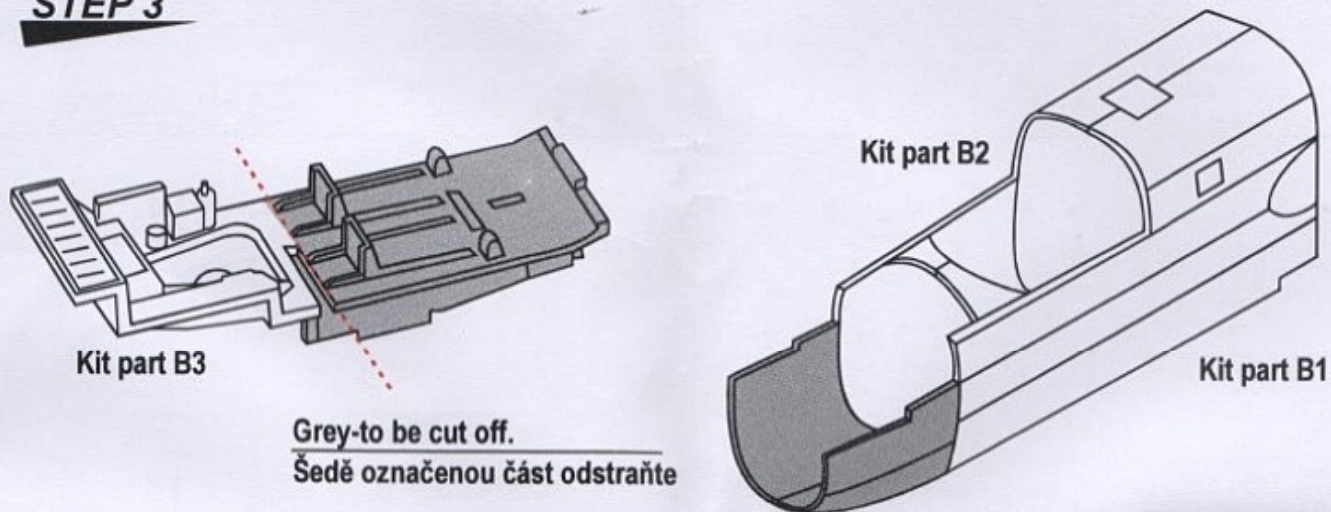
STEP 1



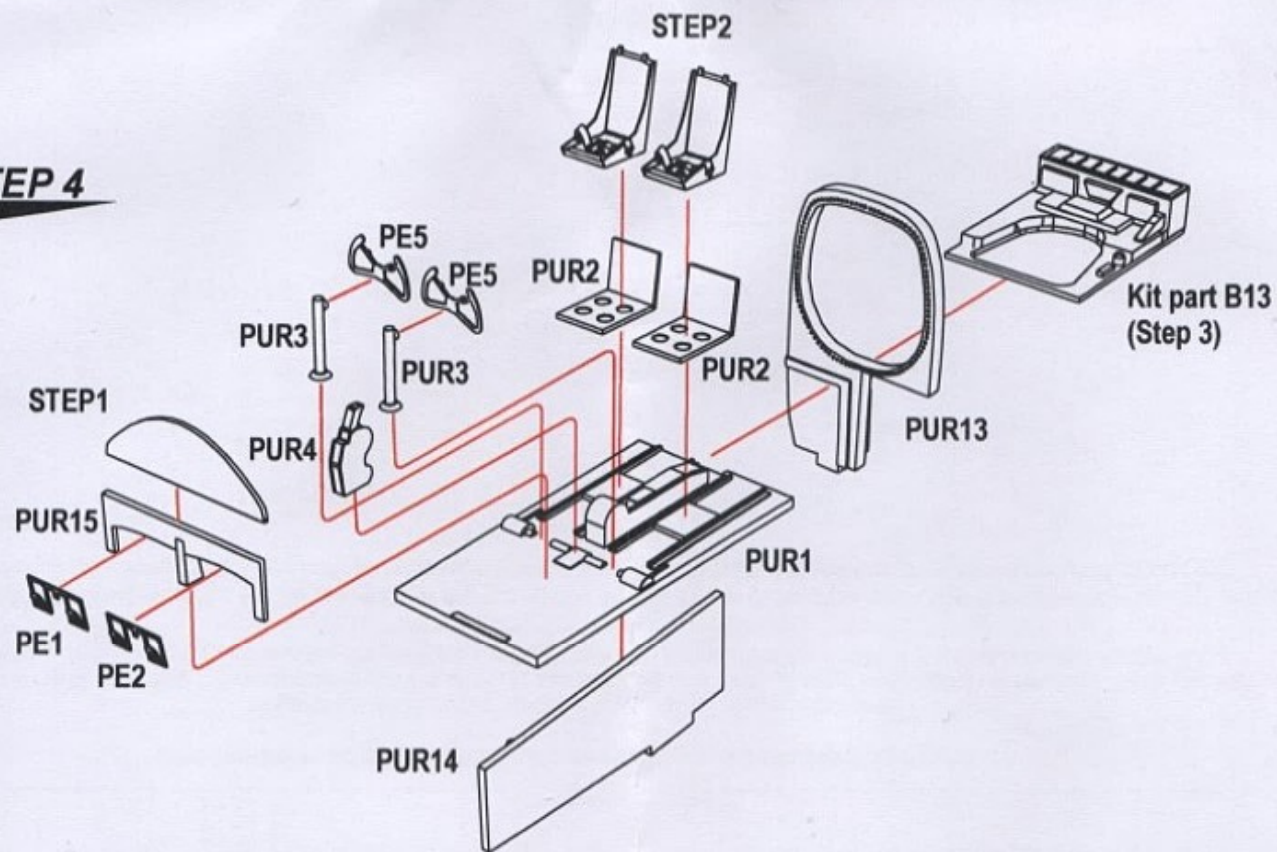
STEP 2



STEP 3



STEP 4



STEP 5

