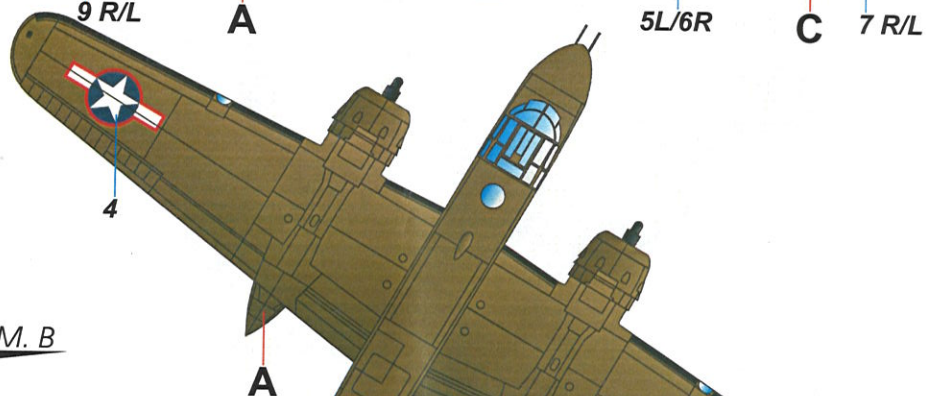
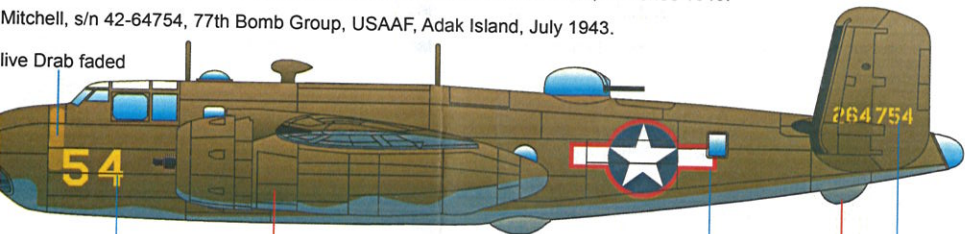


Mitchell, s/n 42-64754, 77. bombardovací skupina, USAAF, ostrov Adak, červenec 1943.

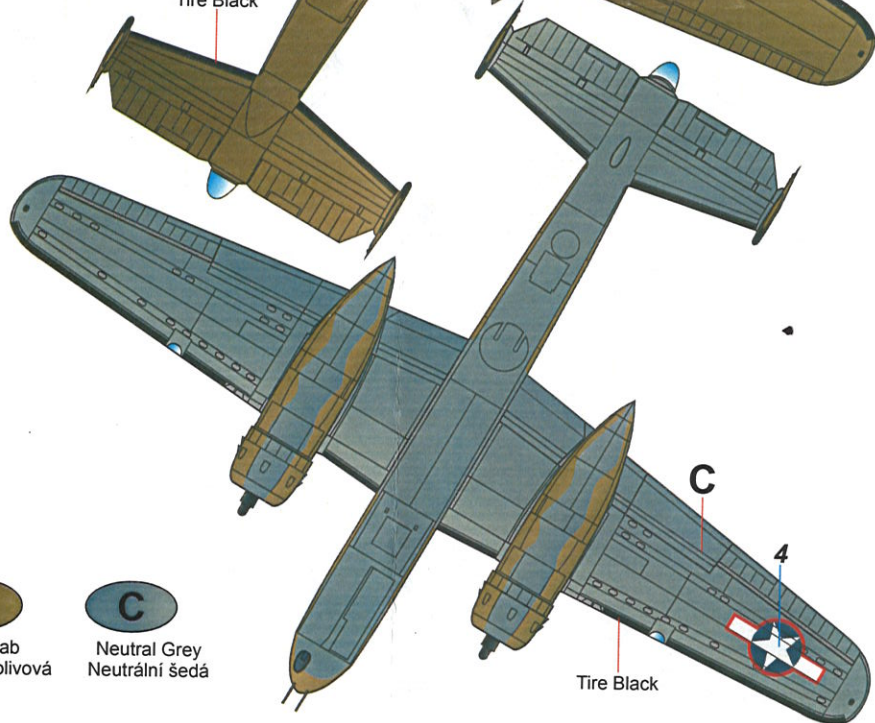
Mitchell, s/n 42-64754, 77th Bomb Group, USAAF, Adak Island, July 1943.

live Drab faded



CAM. B

Tire Black



Drab
olivová

Neutral Grey
Neutrální šedá

Tire Black



Odléváný set / All resin set

7448

1/72

B-25G Mitchell Conversion Set

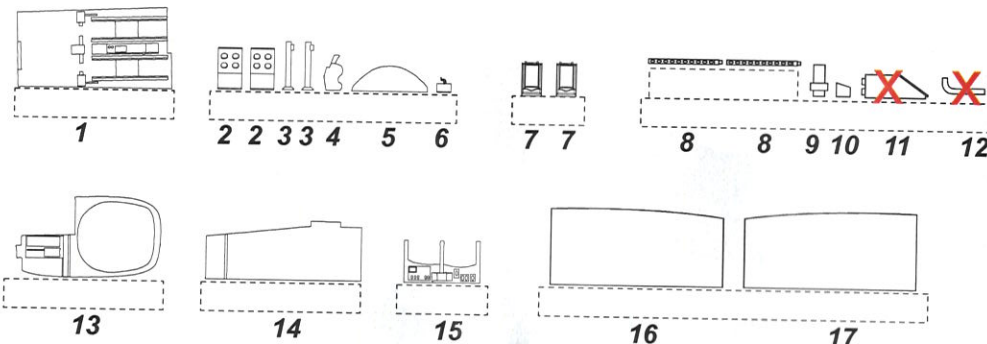
for Airfix B-25C/D kit

www.cmkkits.com

www.specialhobby.eu

Visit our official website and e-shop at

PUR - Polyurethane parts



Decal Part 1+2

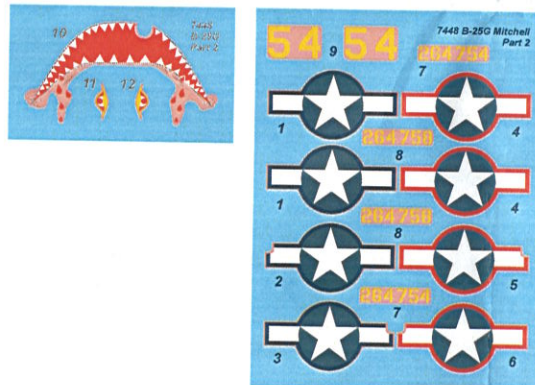


Photo-etched Parts



Film

Díly ohnuté popř. pokroucené vlivem teplotních změn a stárnutí materiálu, mohou být narovnané do požadovaného tvaru pomocí proudu teplé vody nebo vzduchu (fén na vlasy). Různé drátky a tyčky nejsou přiloženy. Kontaktní plochy doporučujeme před lepením odmastit.

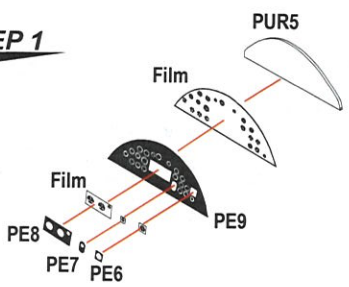
Parts slightly distorted and bent owing to temperature changes or due to material ageing can be straightened to requested shape by hot water or hot air jet (hair dryer). This process can be repeated till result is entirely satisfactory. Wires and rods not included. It is recommended to remove grease from contact areas

K lepení použít kyanoakrylátové lepidlo / For best gluing results use cyanoacrylate glue

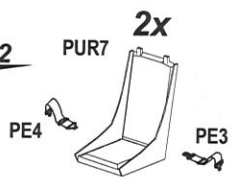
SYMBOLS				
MOŽNOST VOLBY OPTIONAL NACH BELIEBEN OPTION	POUŽIT KYANOAKRYLÁTOVÉ LEPIDLO INSTANT CYANOACRYLATE GLUE ZYANOAKRYLATKLEBER ADHESIF CYANOACRYLAT	OHNOUT BEND BIEGEN COURBER	ZHOTOVIT NOVÉ SCRATCH BUILD FERTIGSTELLEN ACHEVER	ŘEZAT/VRTAT CUT OFF/DRILL ENTFERNEN DETACHER
			GSI NATŘÍT COLOUR FARBEN PEINDRE	

Producer: Special Hobby/Mezilesi 718, 193 00 Praha 9, Czech Republic

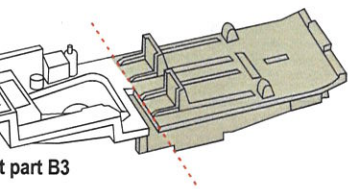
STEP 1



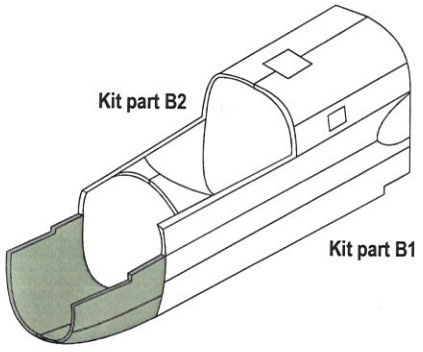
STEP 2



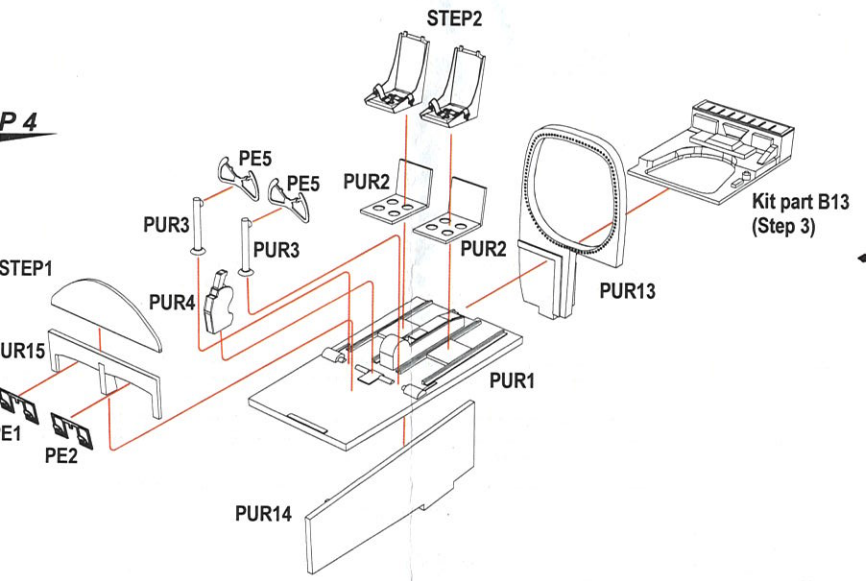
STEP 3



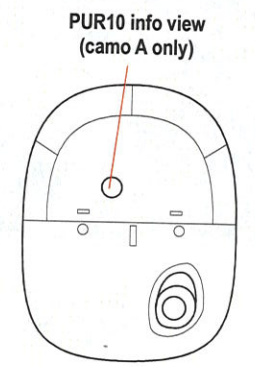
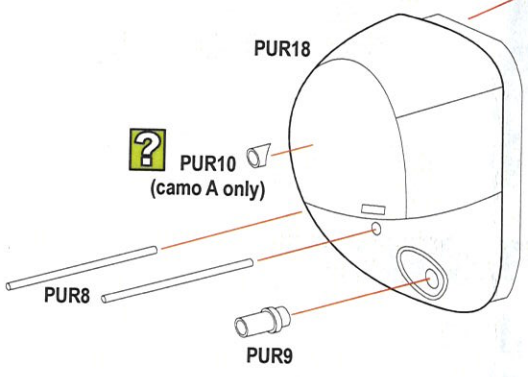
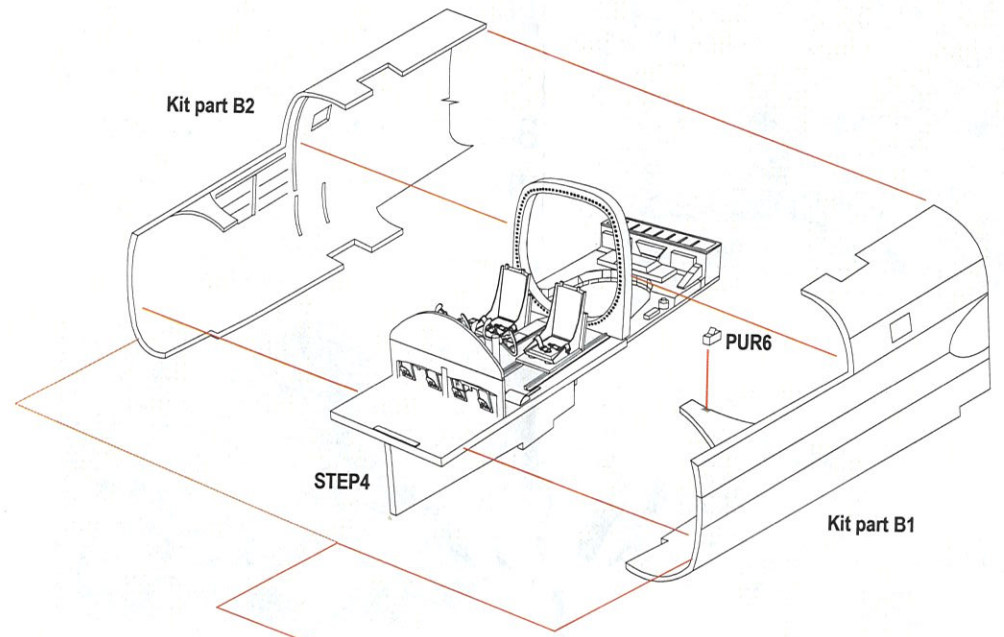
Grey-to be cut off.
Šedě označenou část odstraňte



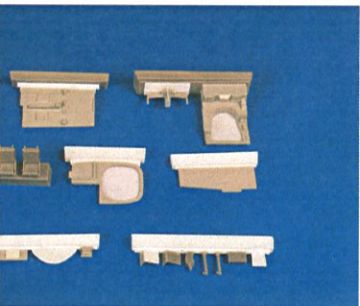
STEP 4



STEP 5

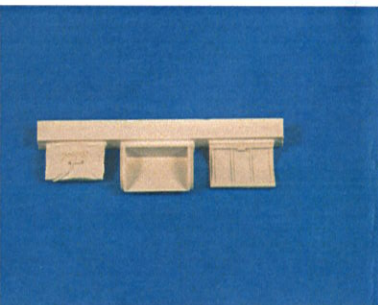
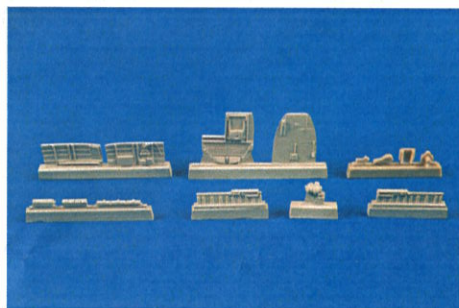


**CMK resin sets for B-25C/D Mitchell
(Airfix kit)**



**CMK 7428
B-25C/D Pilots' Cockpit
and Radio Compartment**

**CMK 7429
B-25C/D Nose
Compartment
(with Aimer's Station)**



**CMK 7445
B-25C/D Dinghy**



Use this!

CMK H1010

The Razor Saw with Handle (cat. n. H1010) is a great tool for cutting both plastic and resin.

CMK also offers a wide variety of coarse / medium / fine saws.

B-25G Mitchell, s/n 42-64758, AAF Tactical Training Center, Orlando Field, Florida, duben 1944.

B-25G Mitchell, s/n 42-64758, AAF Tactical Training Center, Orlando Field, Florida, April 1944.

