

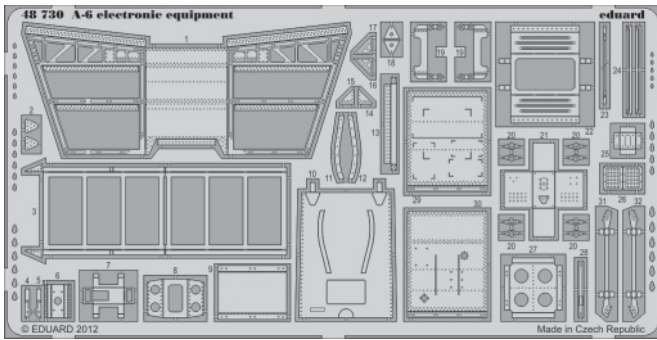


A-6 electronic equipment

1/48 scale detail set for Kinetic kit • sada detailů pro model 1/48 Kinetic

eduard

48 730



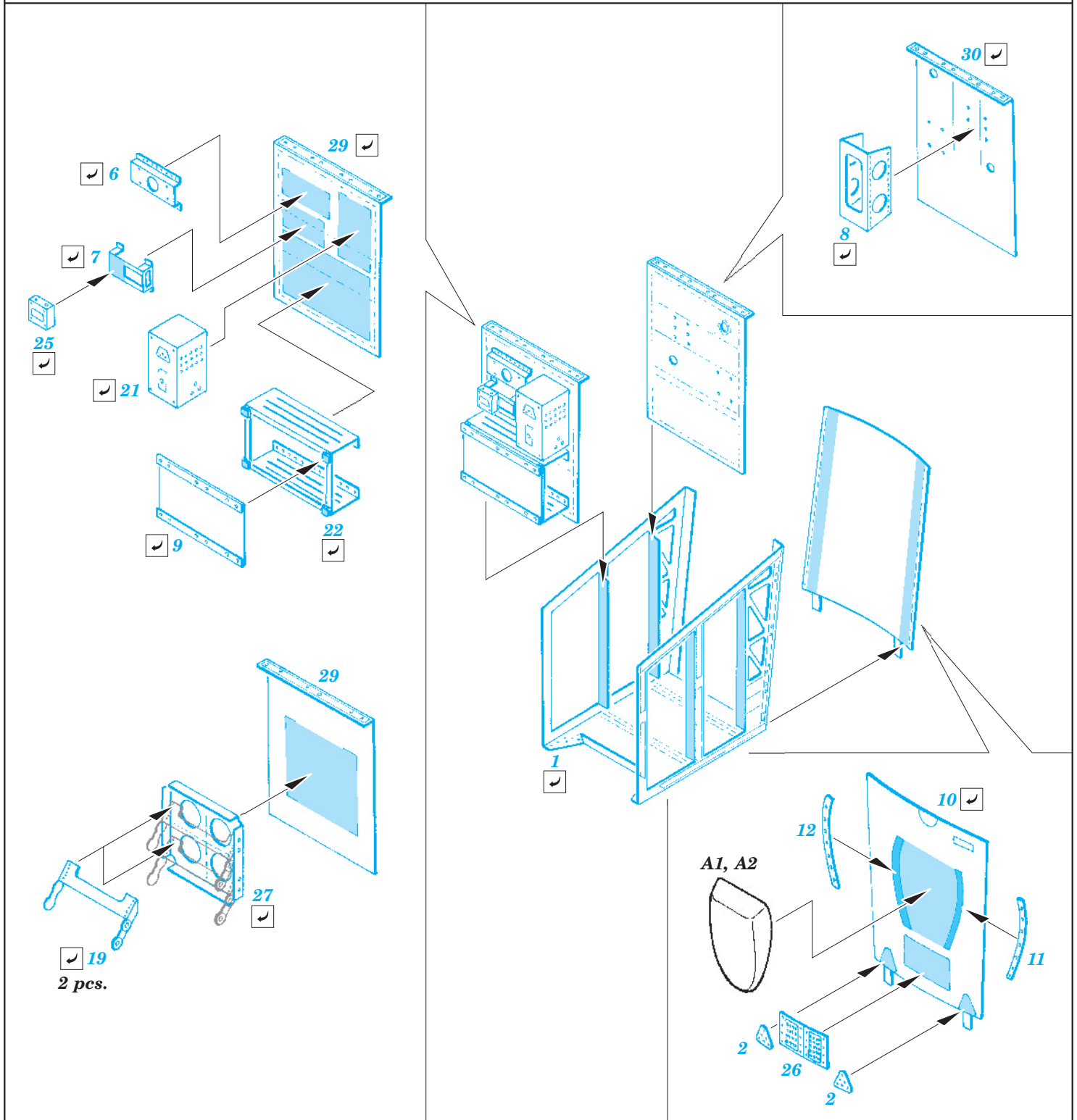
- APPLY EXPRESS MASK AND PAINT BEFORE GLUING
POUŽIT EXPRESS MASK NABARVIT PŘED SLEPENÍM
- SYMMETRICAL ASSEMBLY
SYMETRICKÁ MONTÁŽ
- REMOVE
ODSTRANIT
- GRIND
OBROUSIT
- DRILL HOLE
VRTAT OTVOR
- BEND
OHNOUT
- OPTION
VOLBA
- REPLACE
NAHRADIT

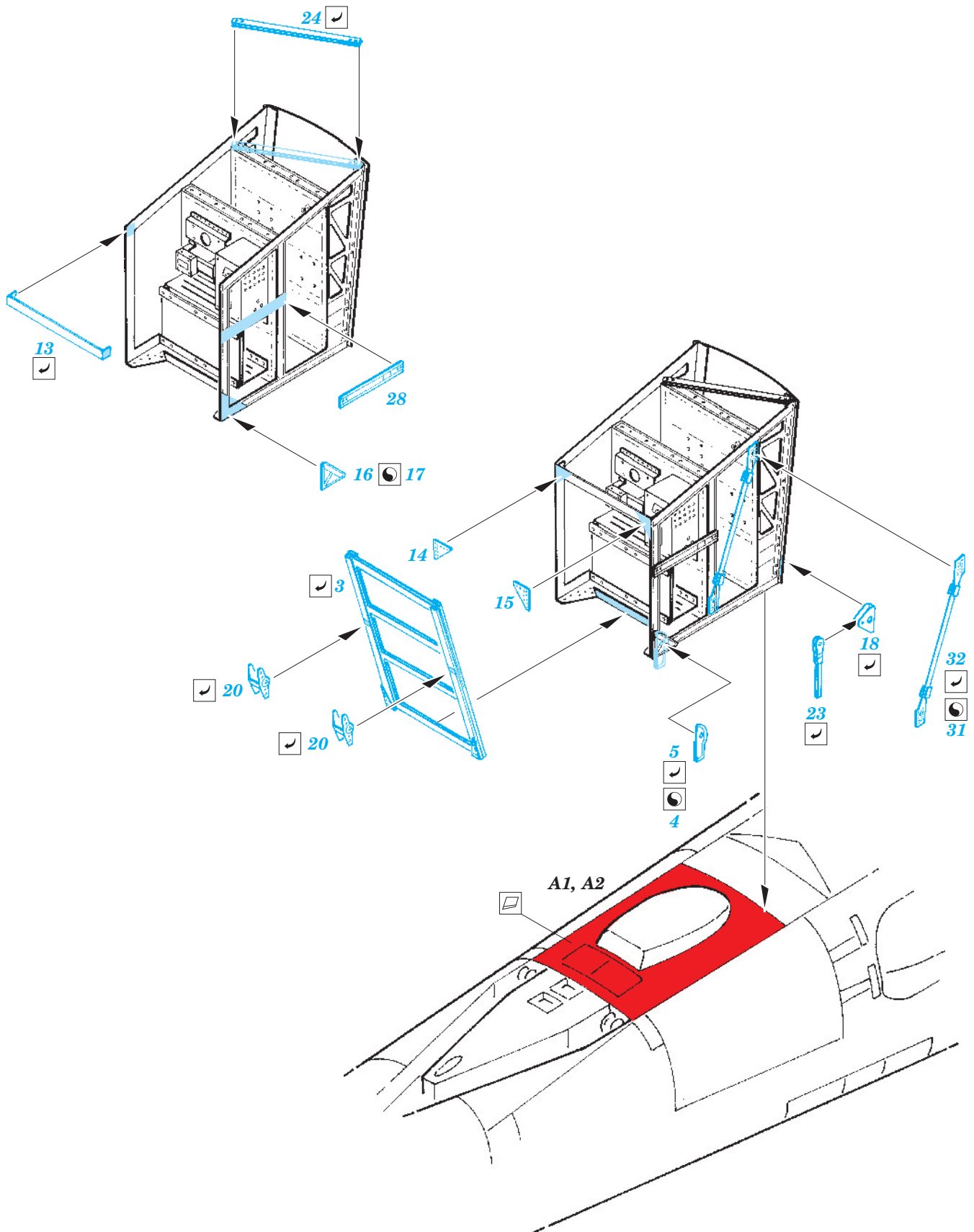
ORIGINAL KIT PARTS
PŮVODNÍ DÍLY STAVEBNICE

PHOTO-ETCHED PARTS
LEPTANÉ DÍLY

PARTS TO BE REMOVED
DÍLY K ODSTRANĚNÍ

FILL
TMELIT





*For further detail sets look for **eduard** 49 592 A-6E interior S.A.
(not included in this set)*

*For further detail sets look for **eduard** 48 728 A-6E exterior
(not included in this set)*

*For further detail sets look for **eduard** 48 731 A-6 undercarriage
(not included in this set)*