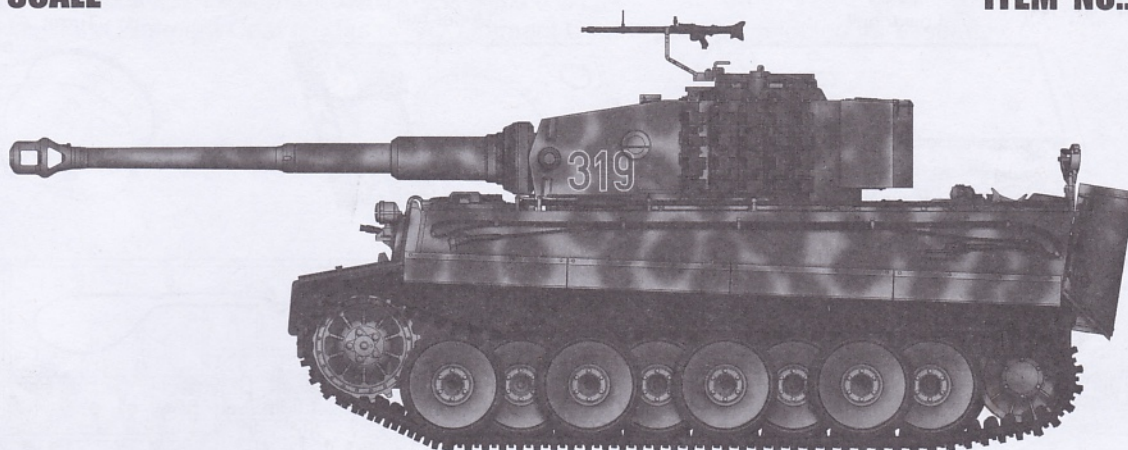


1/35 SCALE

ITEM NO.:09539



Pz.Kpfw.VI Ausf.E Sd.Kfz.181 Tiger I (Medium Production) w/Zimmerit

德国虎1重型坦克-中期型(带防磁装甲)

READ BEFORE ASSEMBLY:

- Study and understand these instructions thoroughly before beginning assembly
- When needed, remove photo-etch parts carefully using a modeling knife or photo etch sprue cutter, being careful not to damage or lose small parts.
- Take extra care in handling photo etch parts in order to avoid injury
- Apply instant cement sparingly to photo etch parts where instructed
- Tools recommended(not included in kit):Plastic and instant cements, sprue cutters,long nose pliers,modeling knife, small files, tweezers, pin vise & scissors. Soft cloth and sandpaper will also assist in construction
- Glue and paint are not included in the kit. Use plastic cement and hobby paints only. Color guide for purchasing paint is included in the kit.

装配之前仔细阅读

- 小心用模型锉刀锉平所有零件表面的注射浇口。
- 小心用刀片切下蚀刻片零件，不要遗失小零件。
- 用强力快干胶水粘合蚀刻片零件和金属轴。过量快干胶水使用可能导致可动零件会粘住，小心涂胶。
- 取蚀刻片时应特别注意安全，防止利边划伤手指。
- 某些零件表面需贴水上水贴纸，请选择在装配的同时进行。
- 推荐模型工具(自备)：胶水，水口剪刀，长咀钳，刀片，锉刀，镊子，钳，钻，剪刀，瞬间快干胶。
- 软布同砂纸同时也应该是必备工具。
- 请使用塑料胶水和油漆，模型内不含。



配重
Weight



使用强力胶
Cyanoacrylate glue



钻孔
Make hole



切除
Cut / Remove



贴纸
Decal



锉平
File / Sand



选择
Option



不涂胶水
No cement



弯曲
Bend



先装
Install it first

水贴纸的使用:

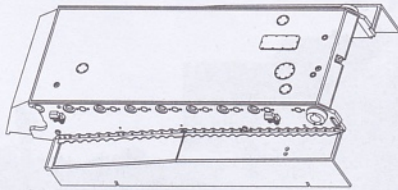
- 1.从水贴纸上剪下印花;
- 2.将印花放入温水中浸10秒,然后放在干净布上。
- 3.拿着印花纸板将印花移到模型上;
- 4.手指蘸水将印花移到适当的位置;
- 5.用软布轻压印花直至水干, 气泡消失

DECAL APPLICATION

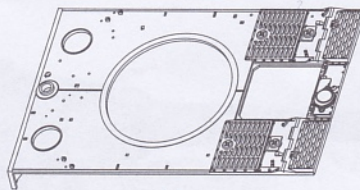
- 1.Cut decals from sheet as needed
- 2.Dip the decal in warm water for about 10 seconds and then place on soft clean cloth.
- 3.Hold the decal backing sheet edge and gently slide the decal onto the model in its proper position.
- 4.While still wet,decal can be adjusted for better fit on model by dampening it gently with your finger.
- 5.When placed in the proper position,gently press decal down with a soft cloth until excess water and air bubbles are gone.
- 6.Allow decal to dry completely before handling model

部品图
Parts

《车底》
Lower hull



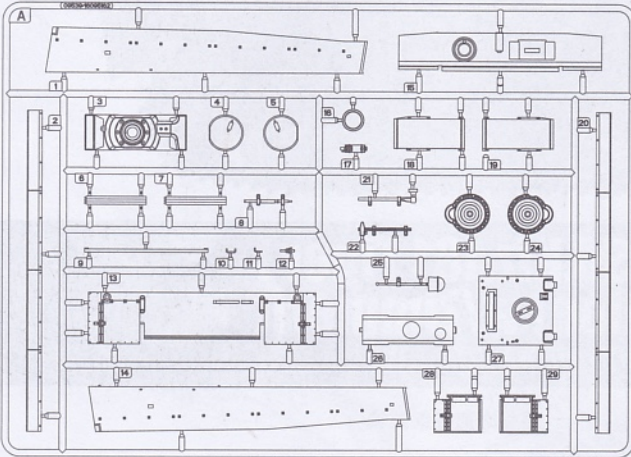
《车面》
Upper hull



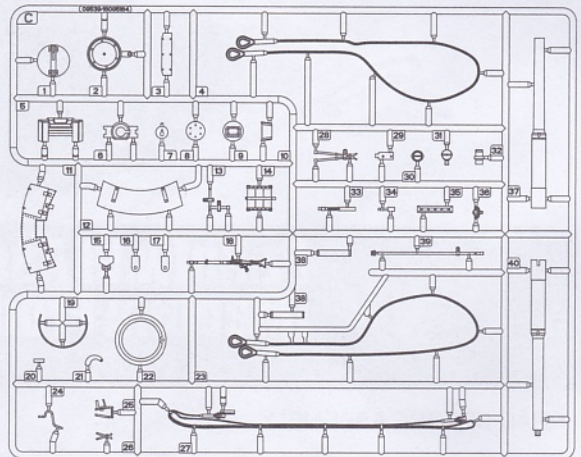
《炮塔》
Turret



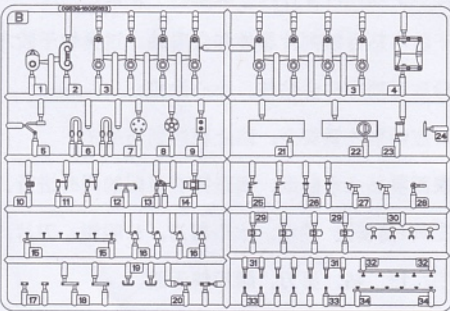
A



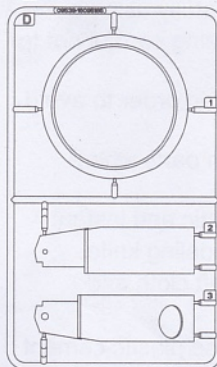
C



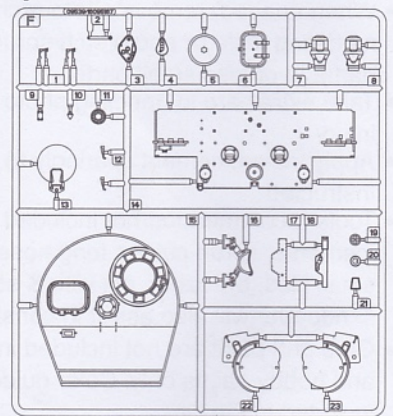
Bx2



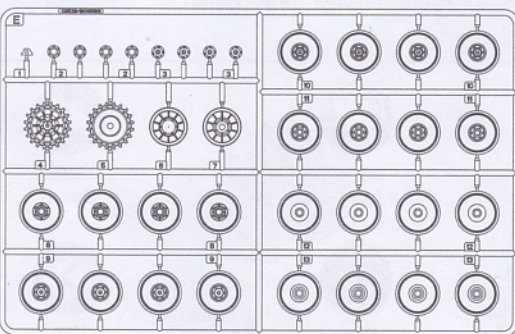
D



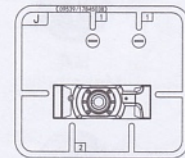
F



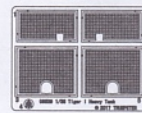
Ex2



J



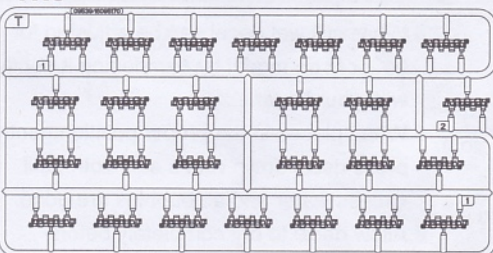
《蚀刻片》
PE



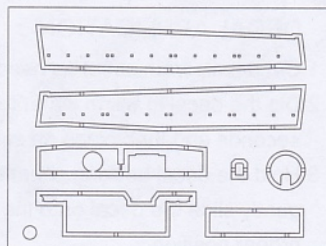
《水贴纸》
Decal



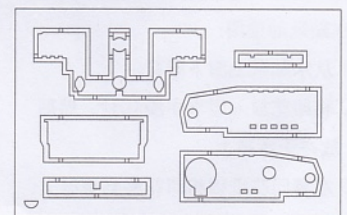
Tx8



《防磁纹胶片》
Zimmerit Coat

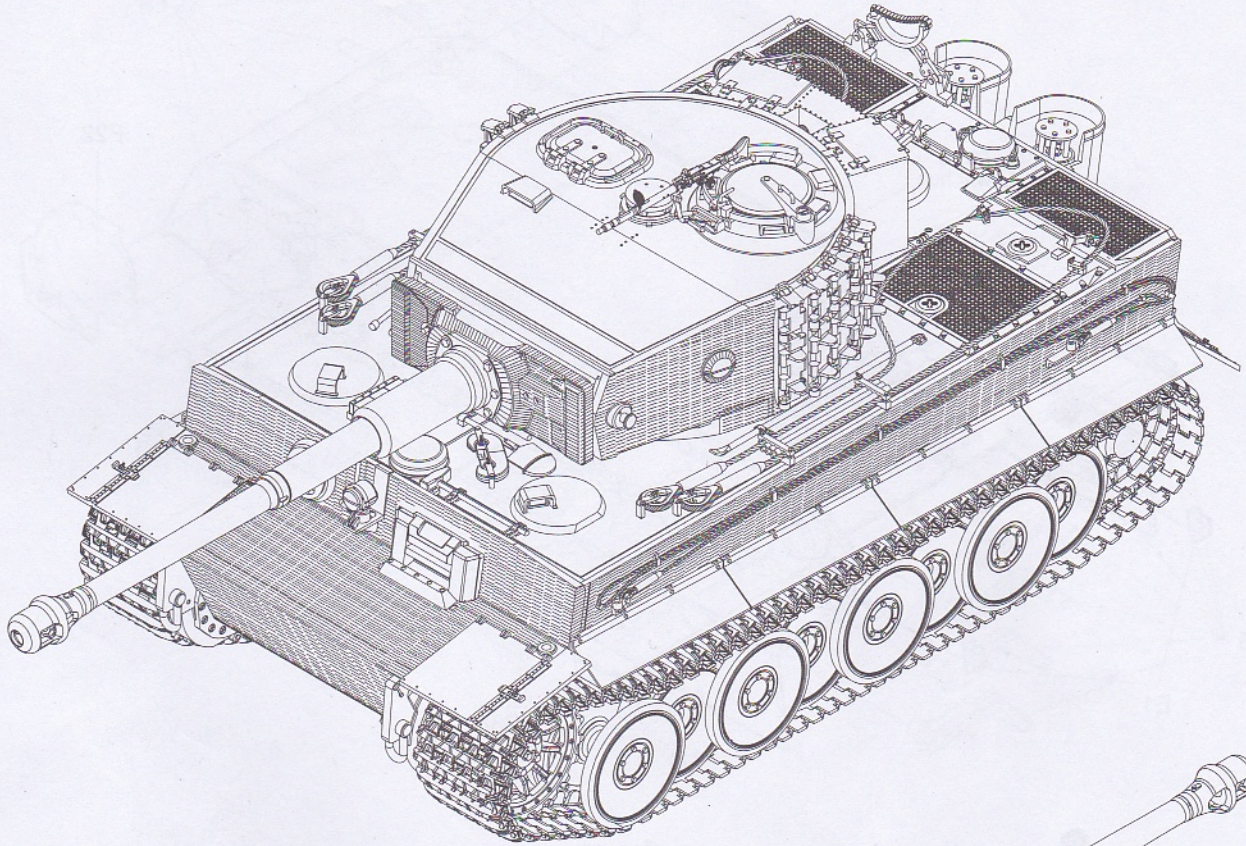


《防磁纹胶片》
Zimmerit Coat

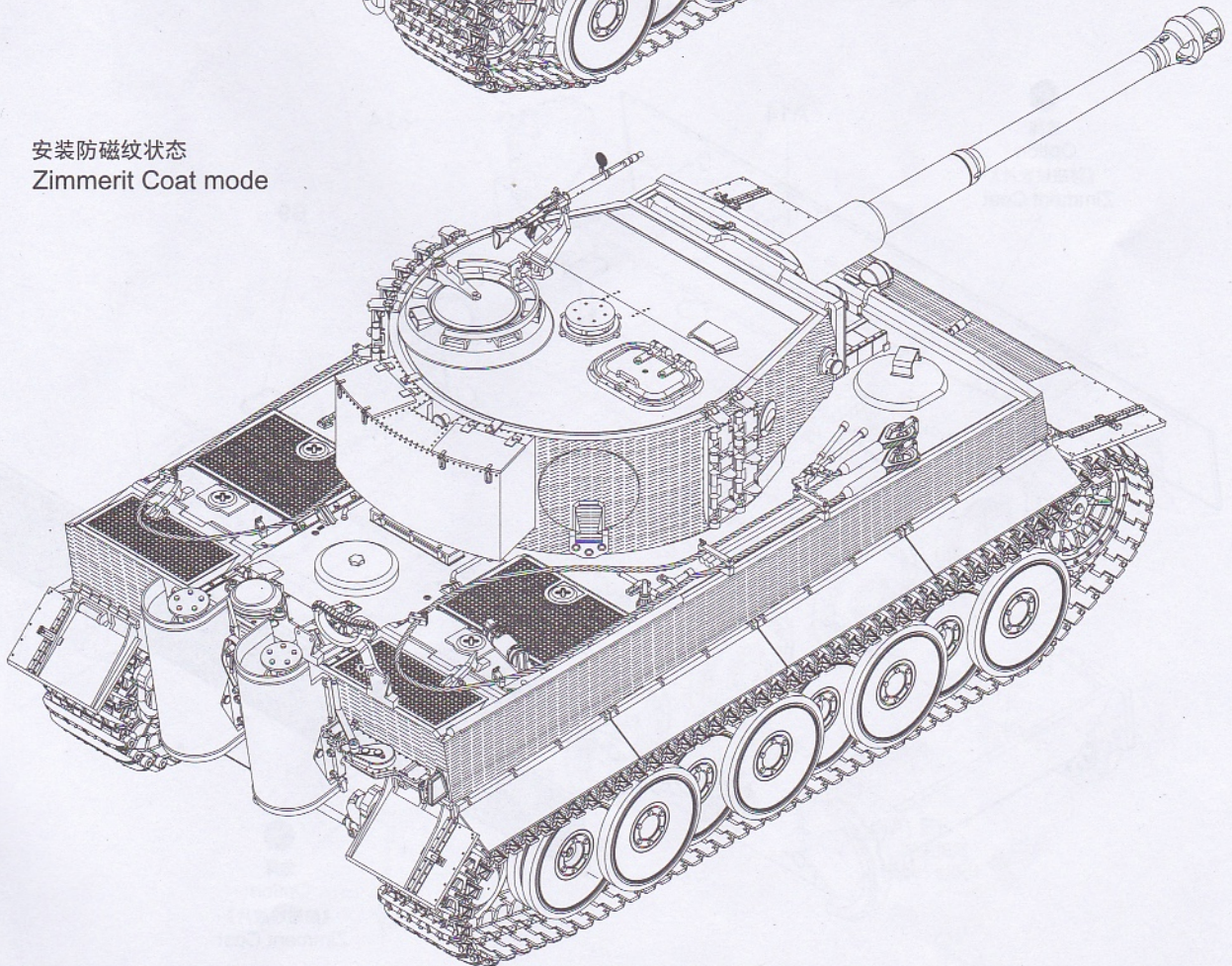


②
选择
Option

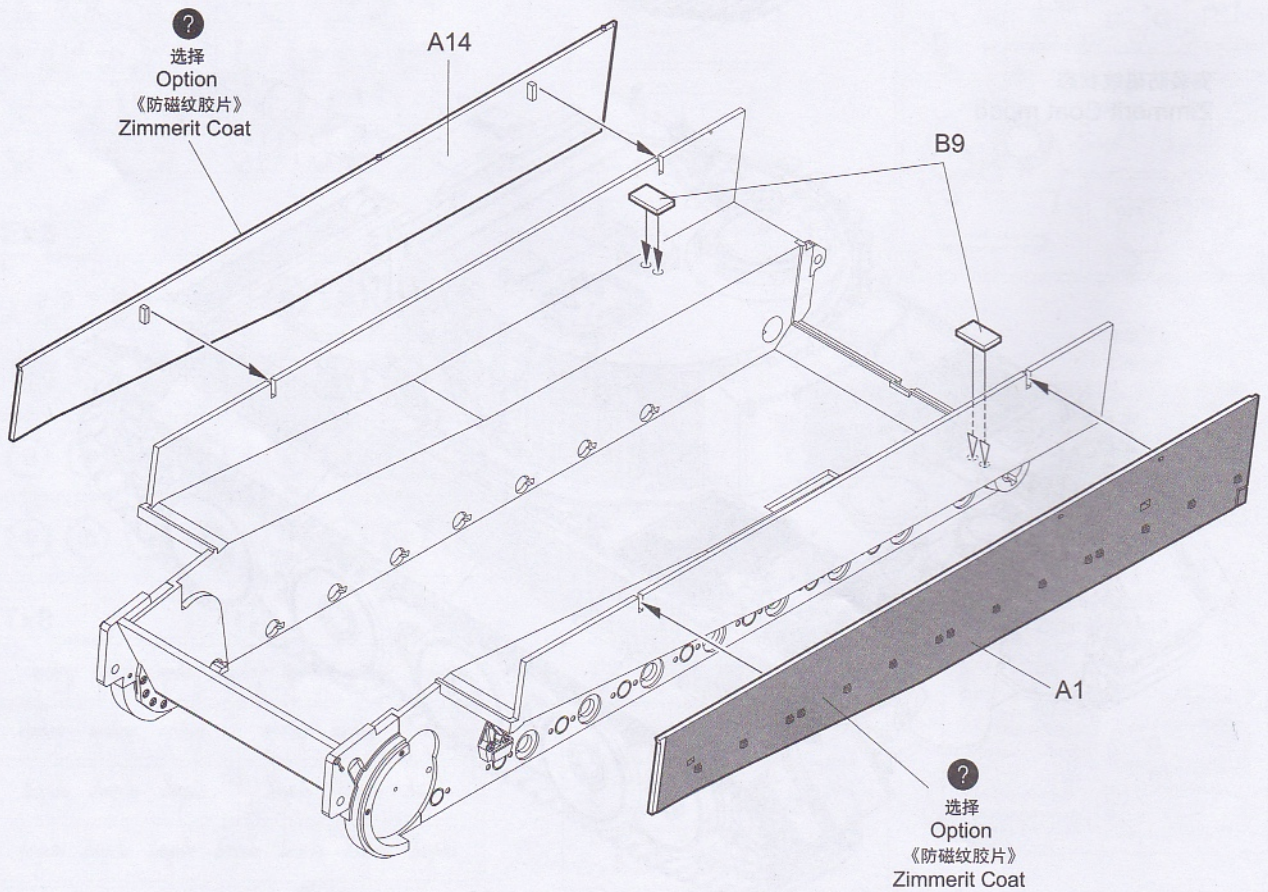
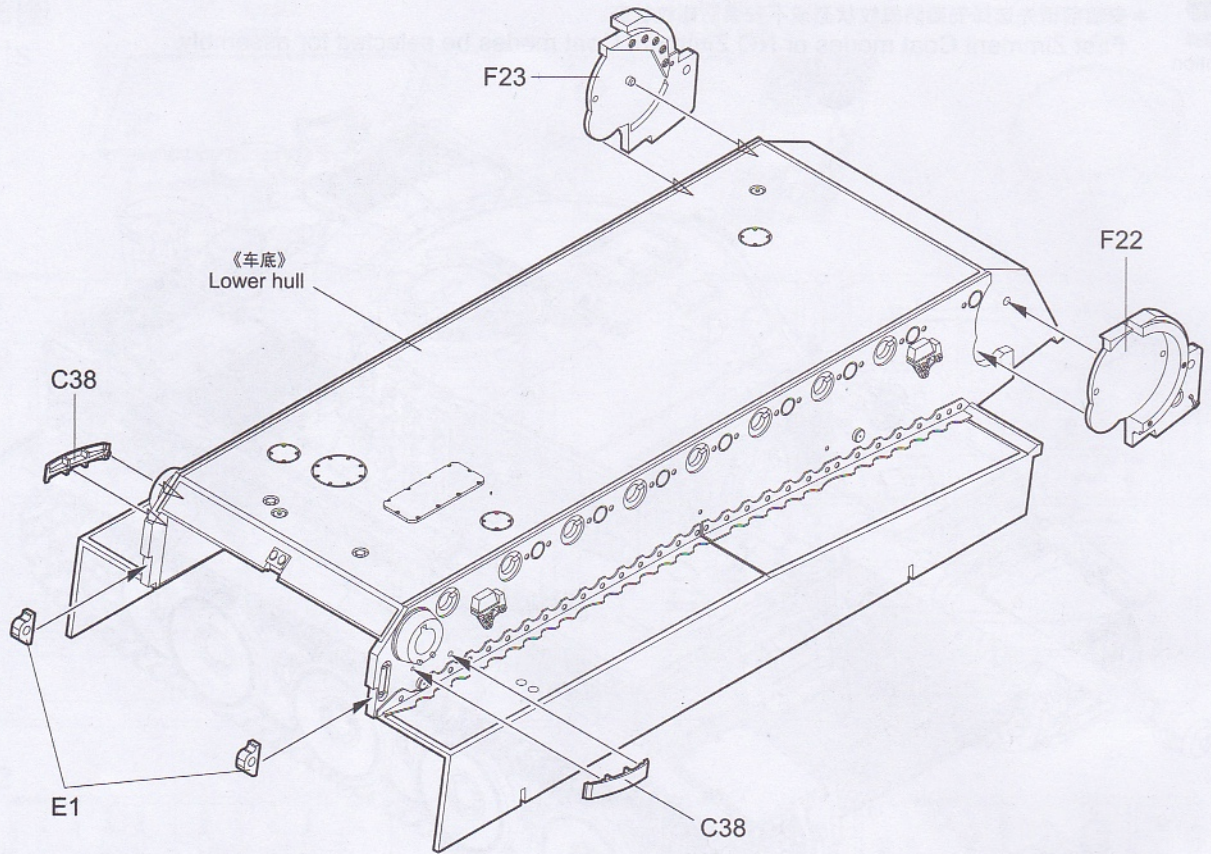
* 安装前请先选择安装防磁纹状态或不安装防磁纹状态。
First Zimmerit Coat modes or NO Zimmerit Coat modes be selected for assembly.



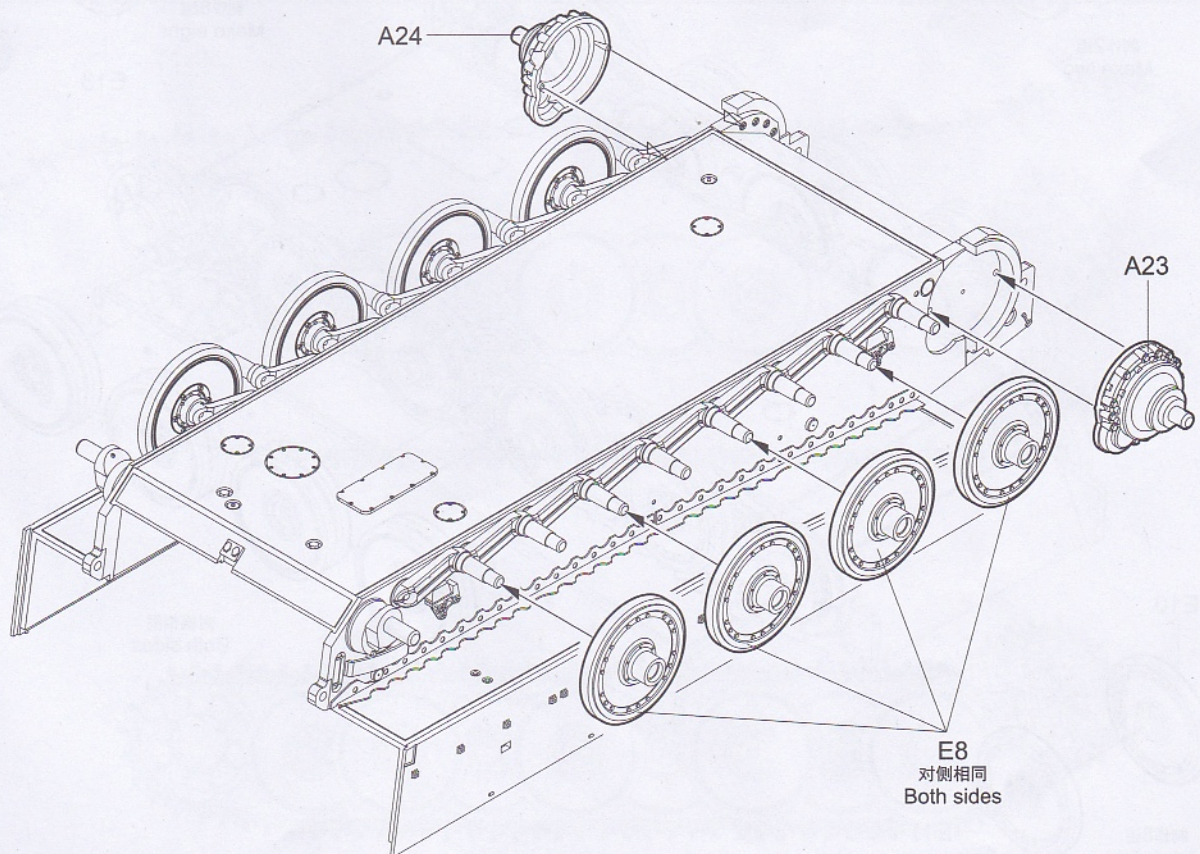
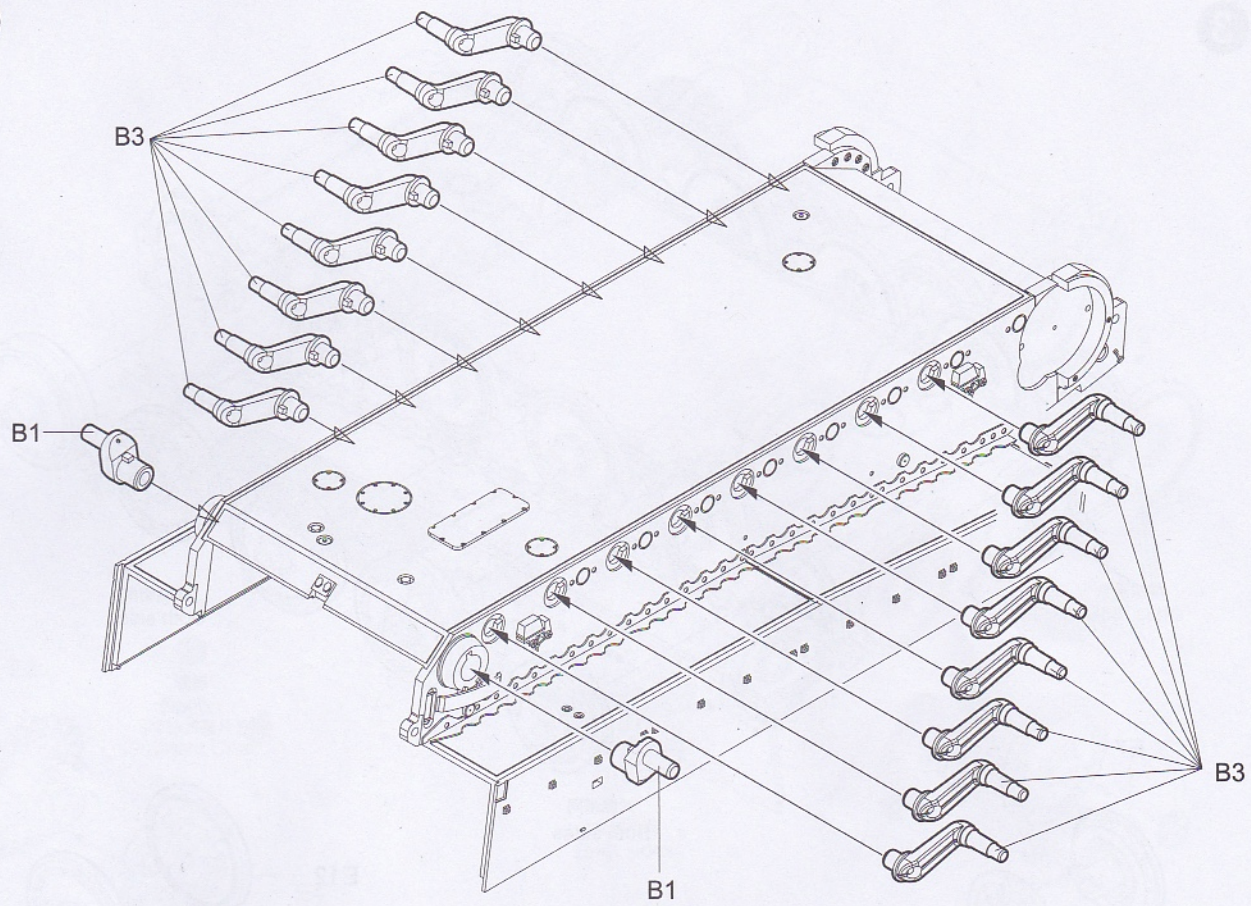
安装防磁纹状态
Zimmerit Coat mode



1

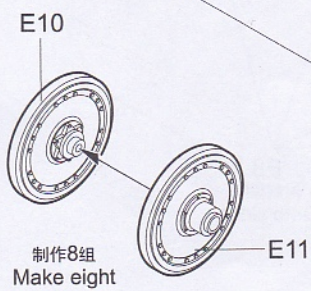
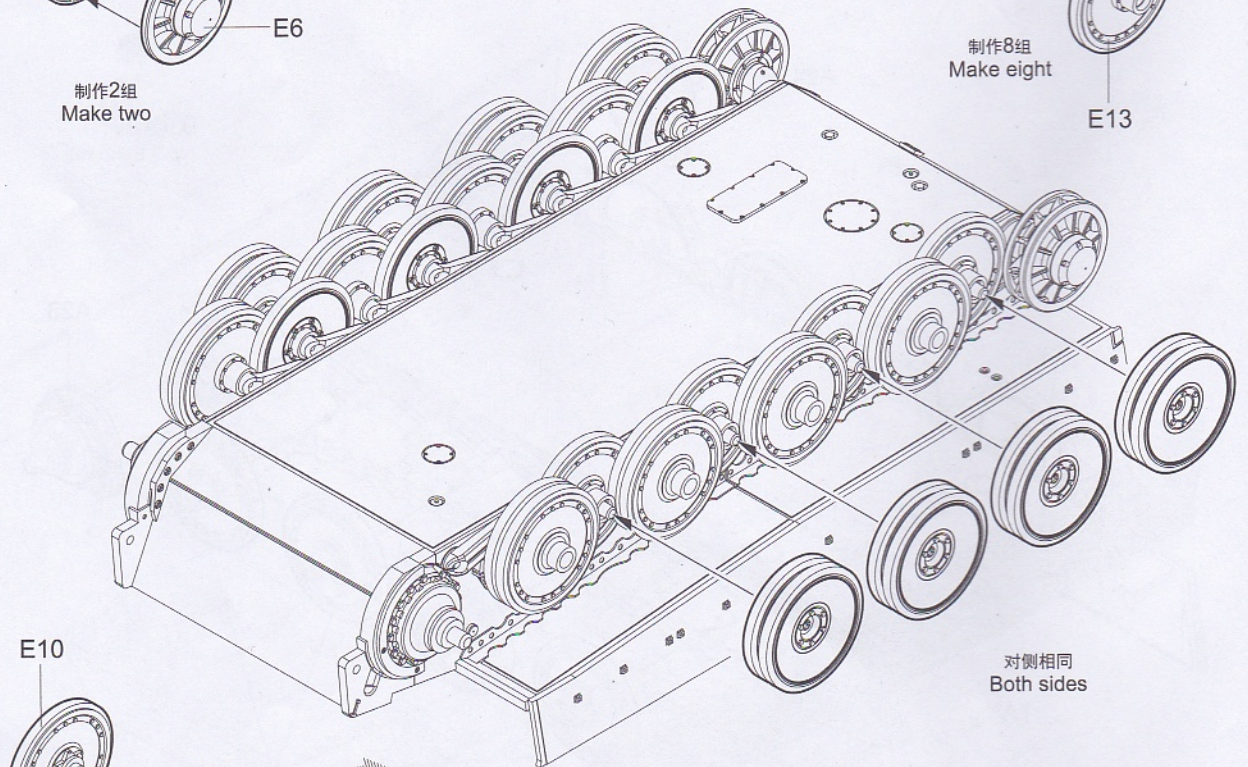
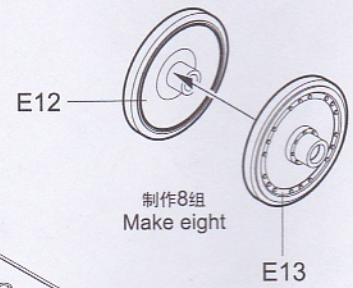
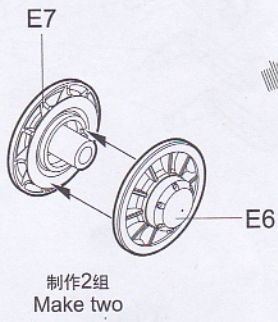
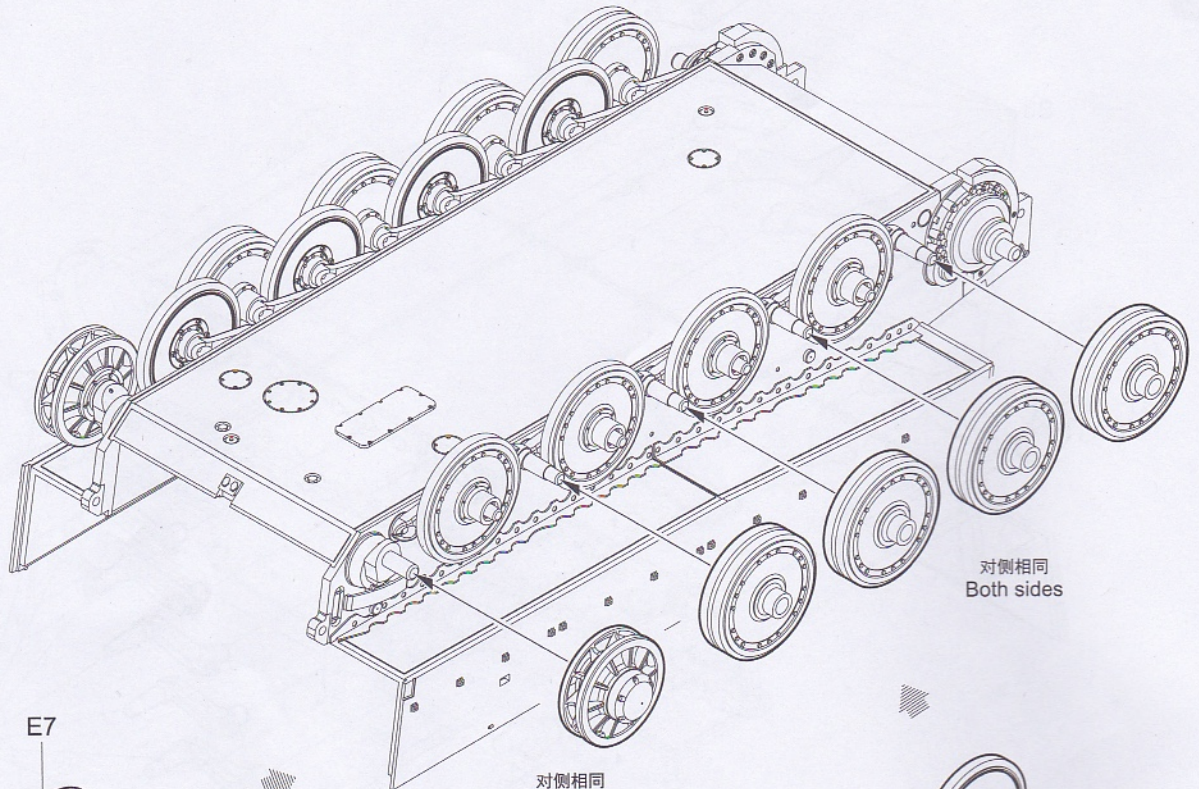


2

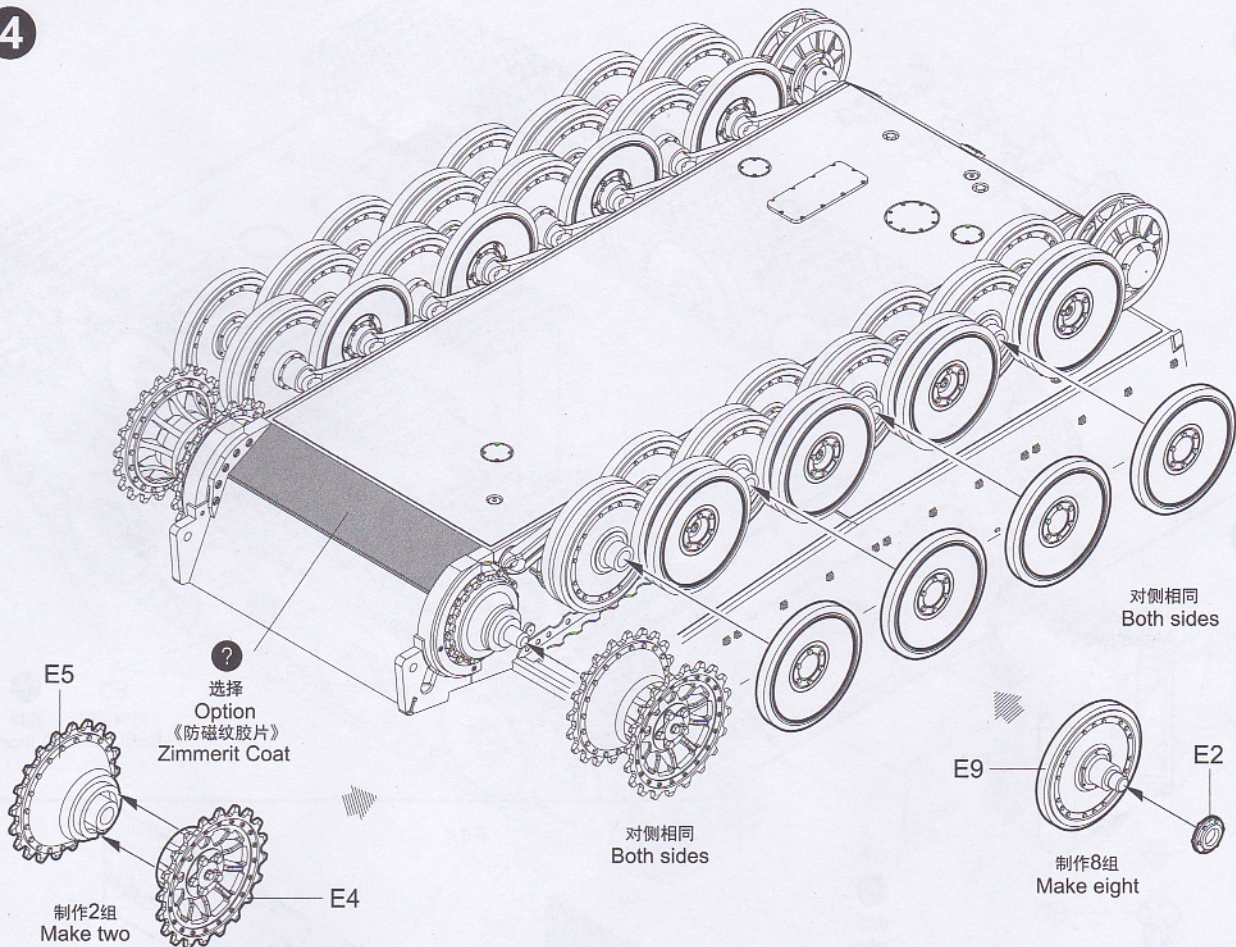


E8
对侧相同
Both sides

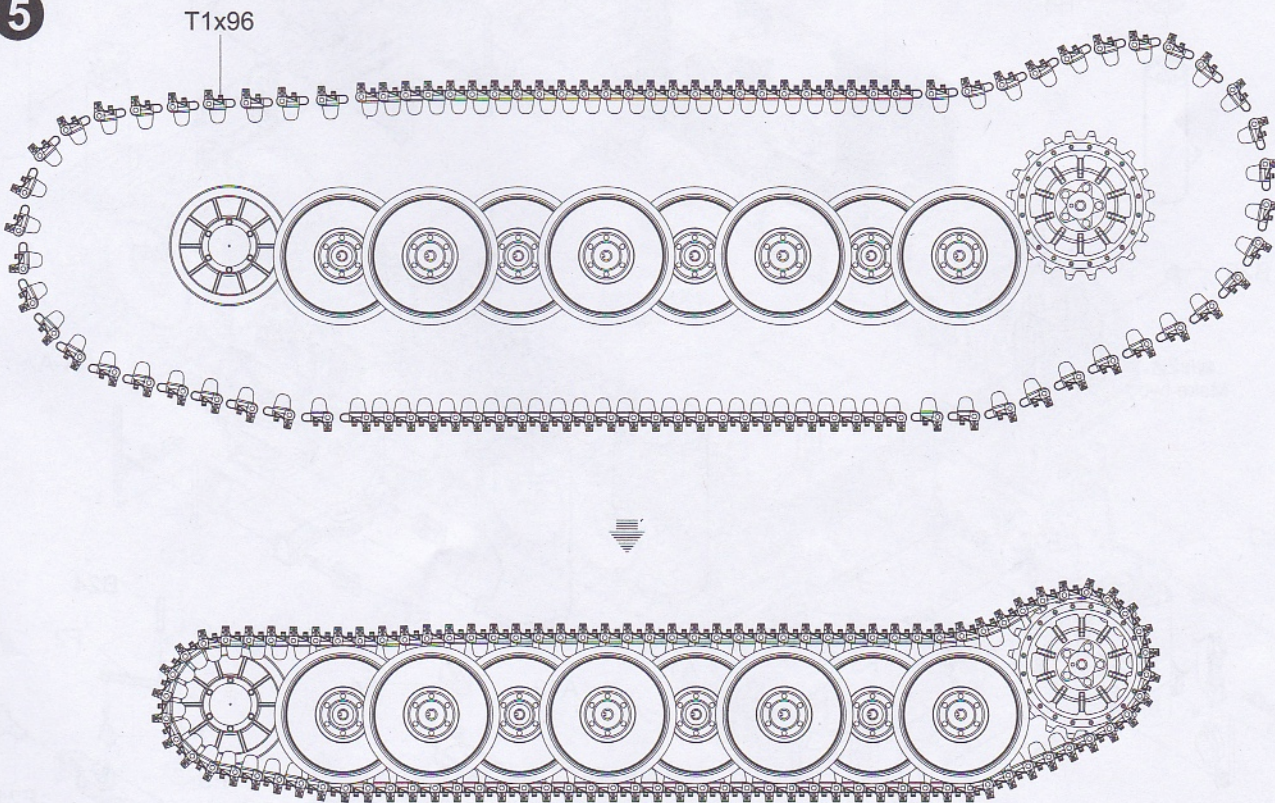
3



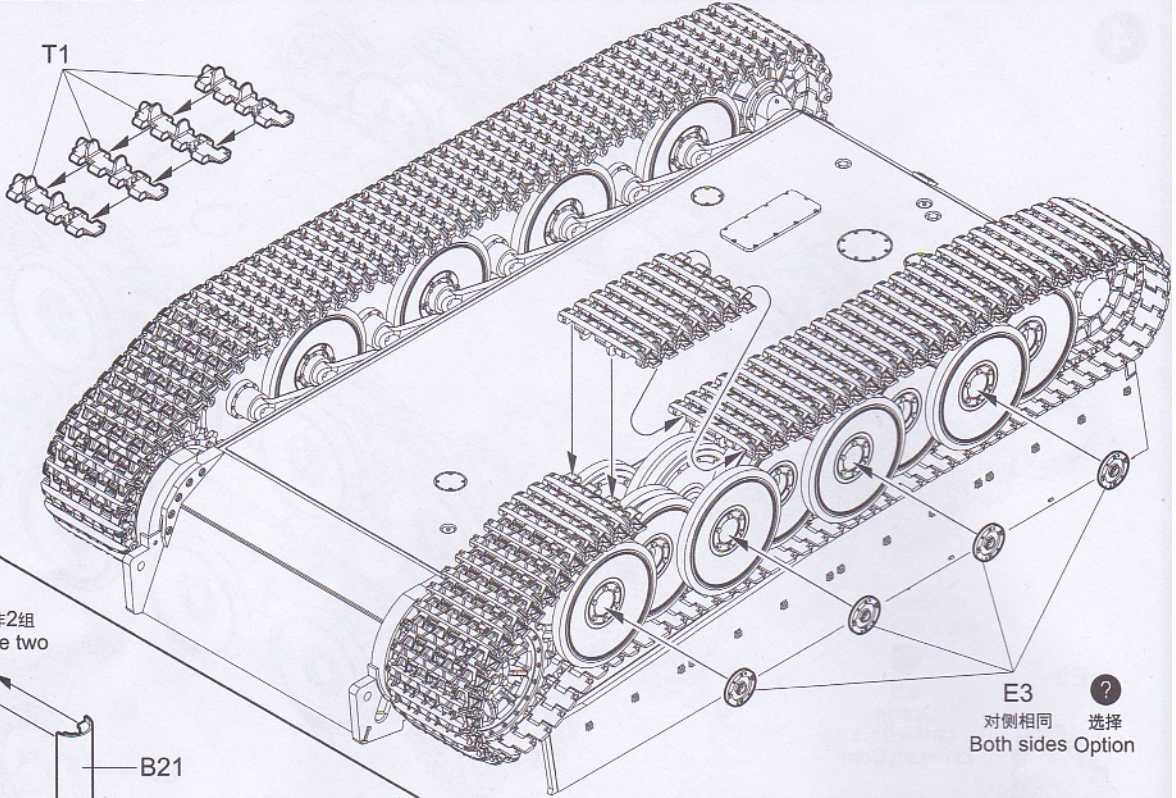
4



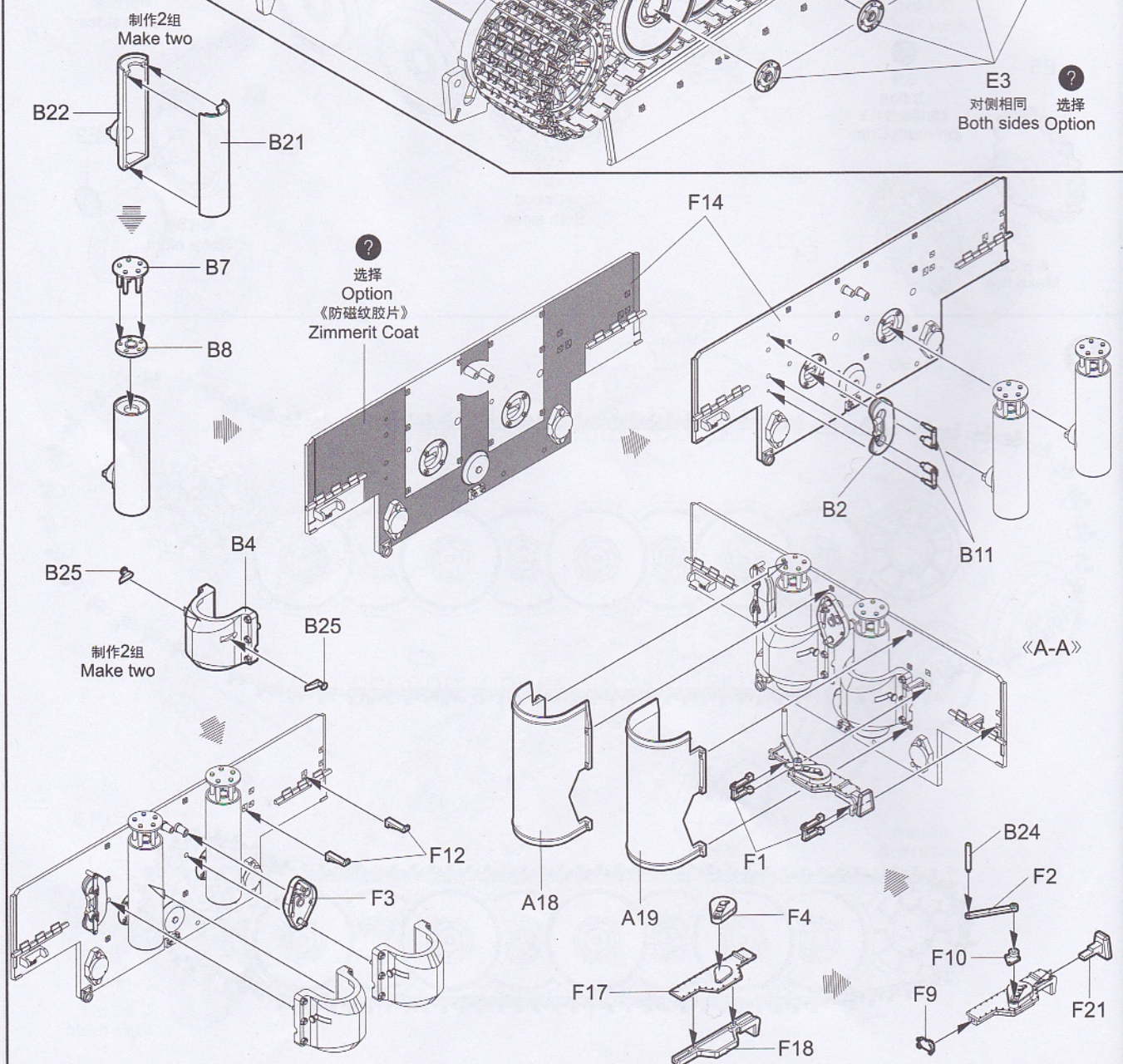
5



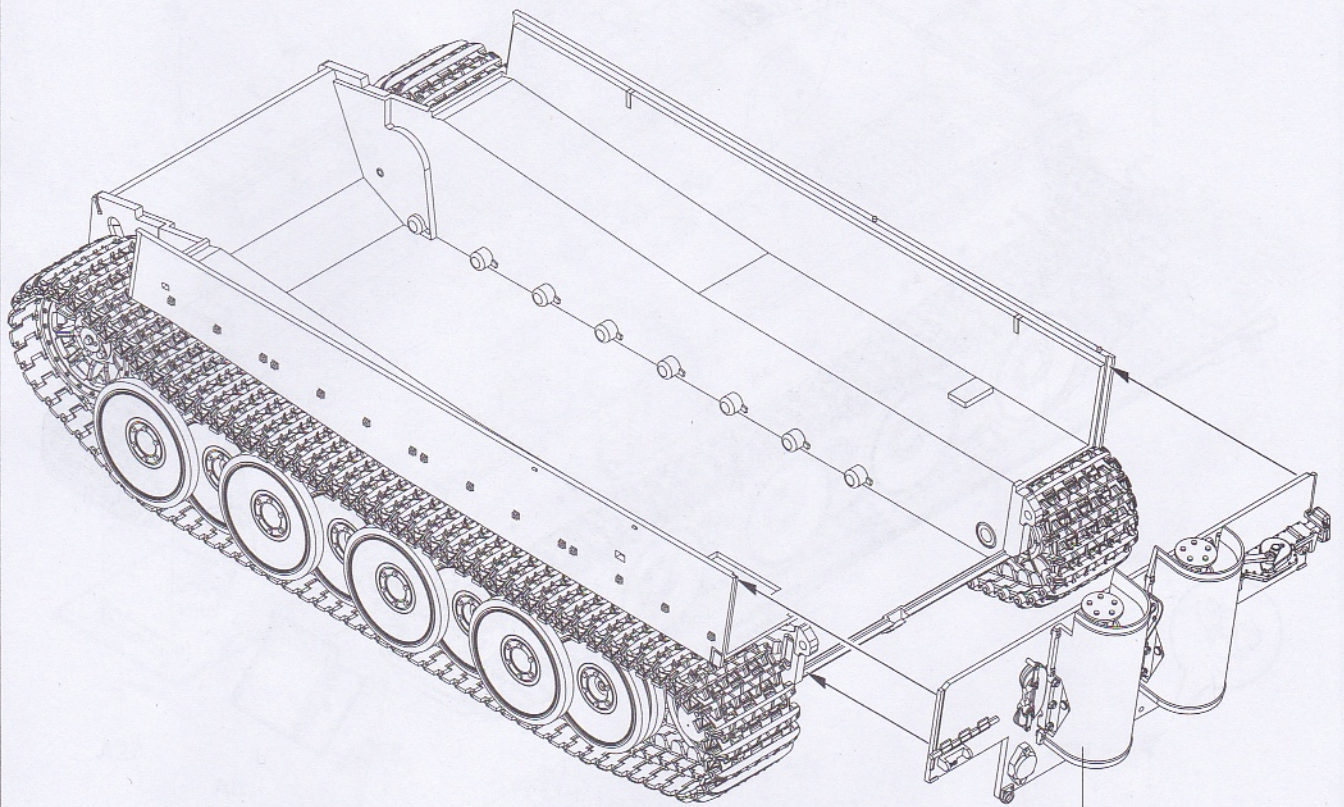
6



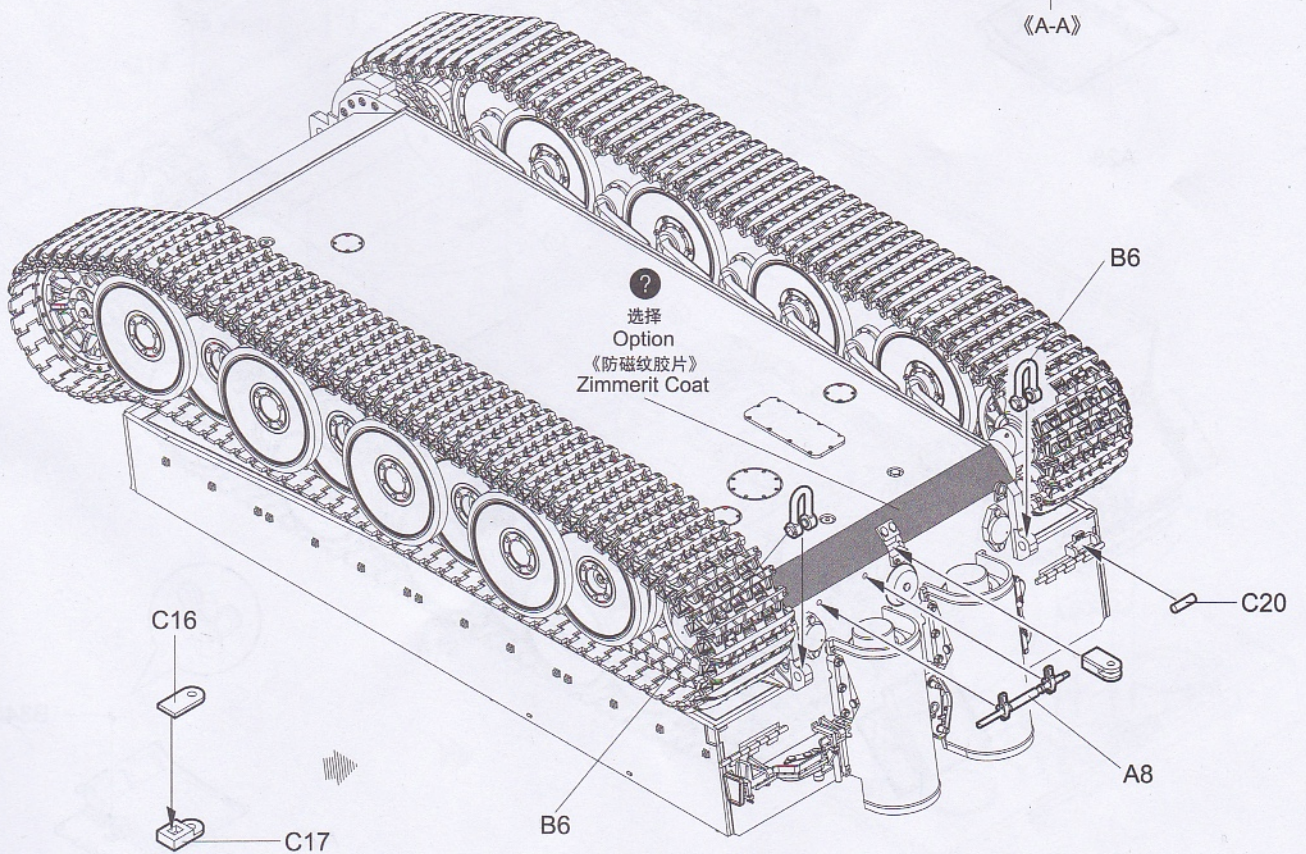
7



8

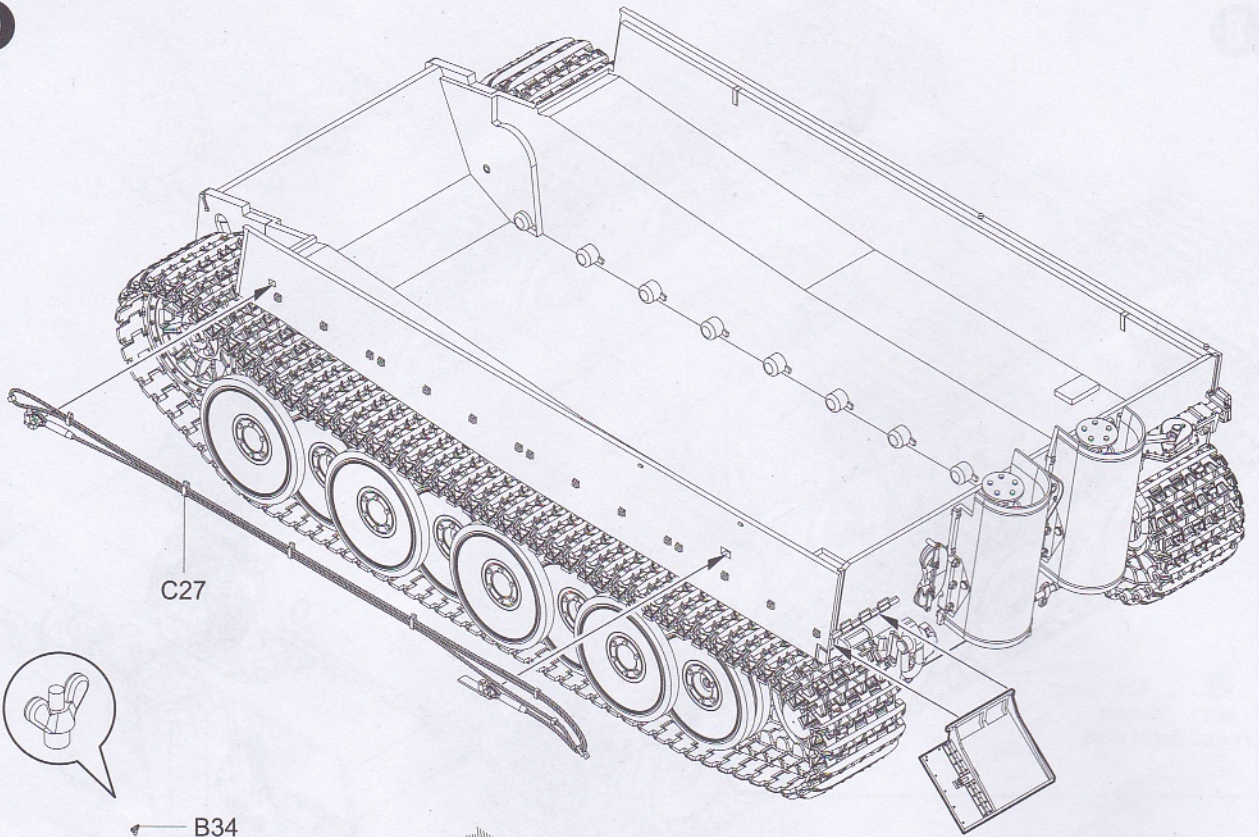


《A-A》



选择
Option
《防磁纹胶片》
Zimmerit Coat

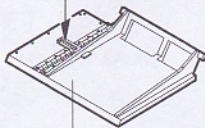
9



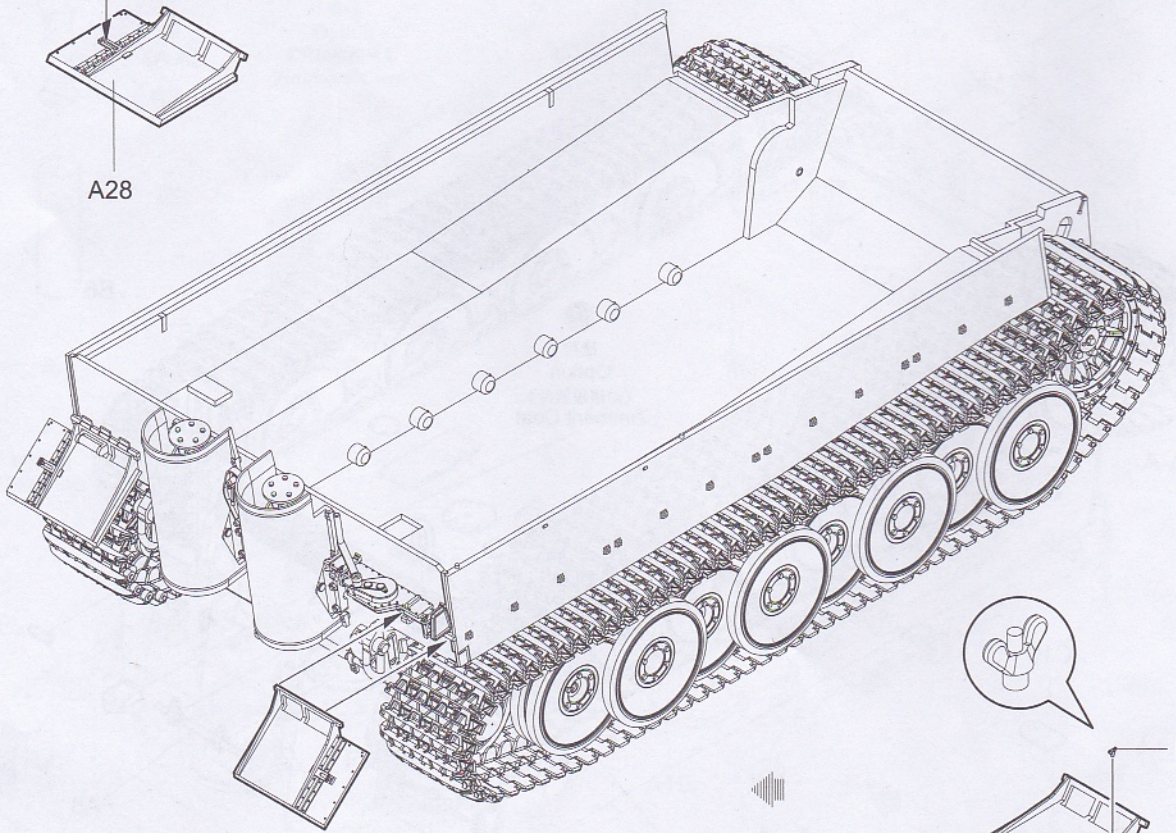
C27



B34

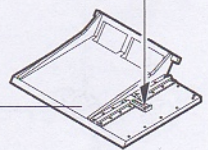


A28

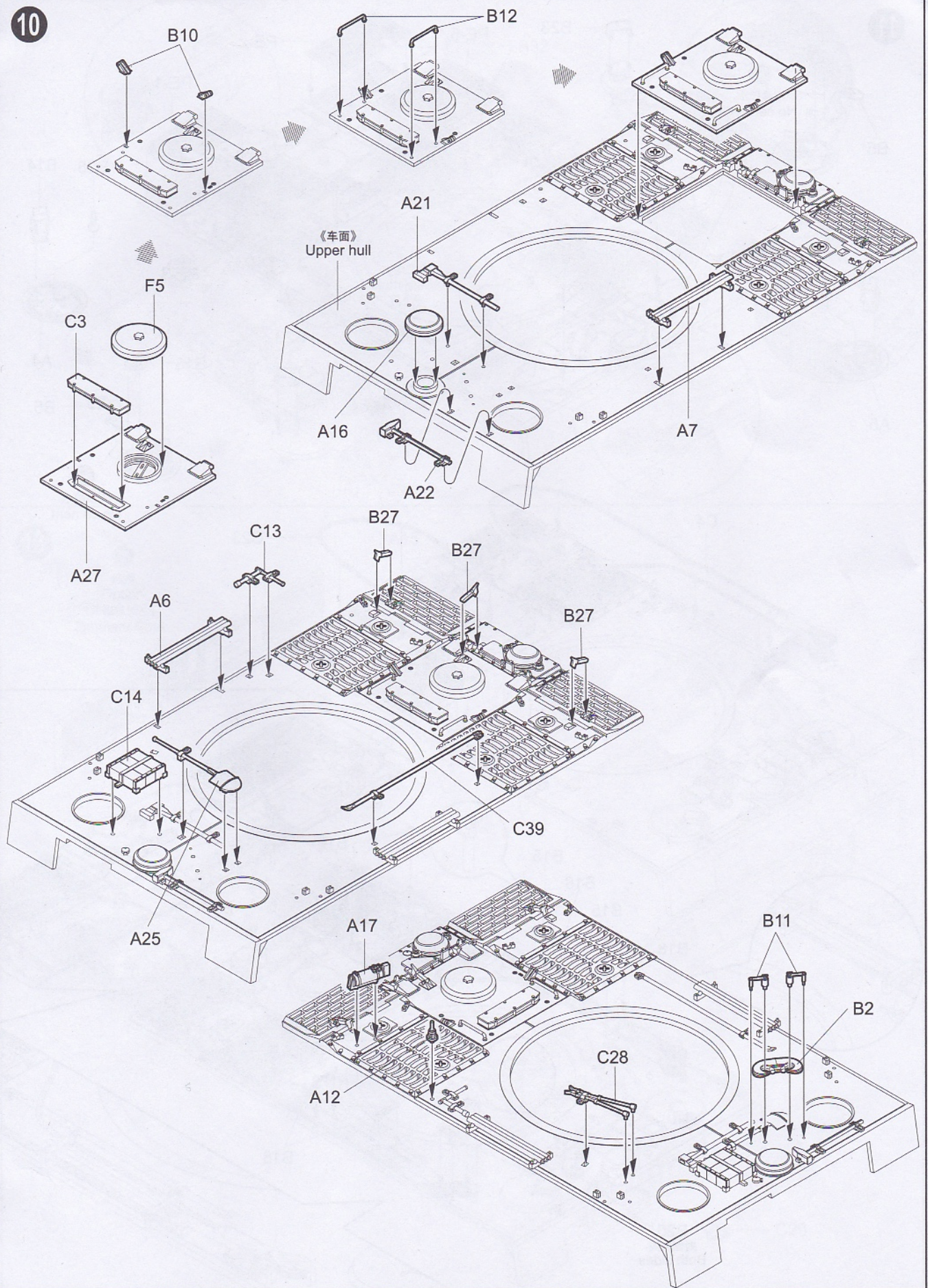


B34

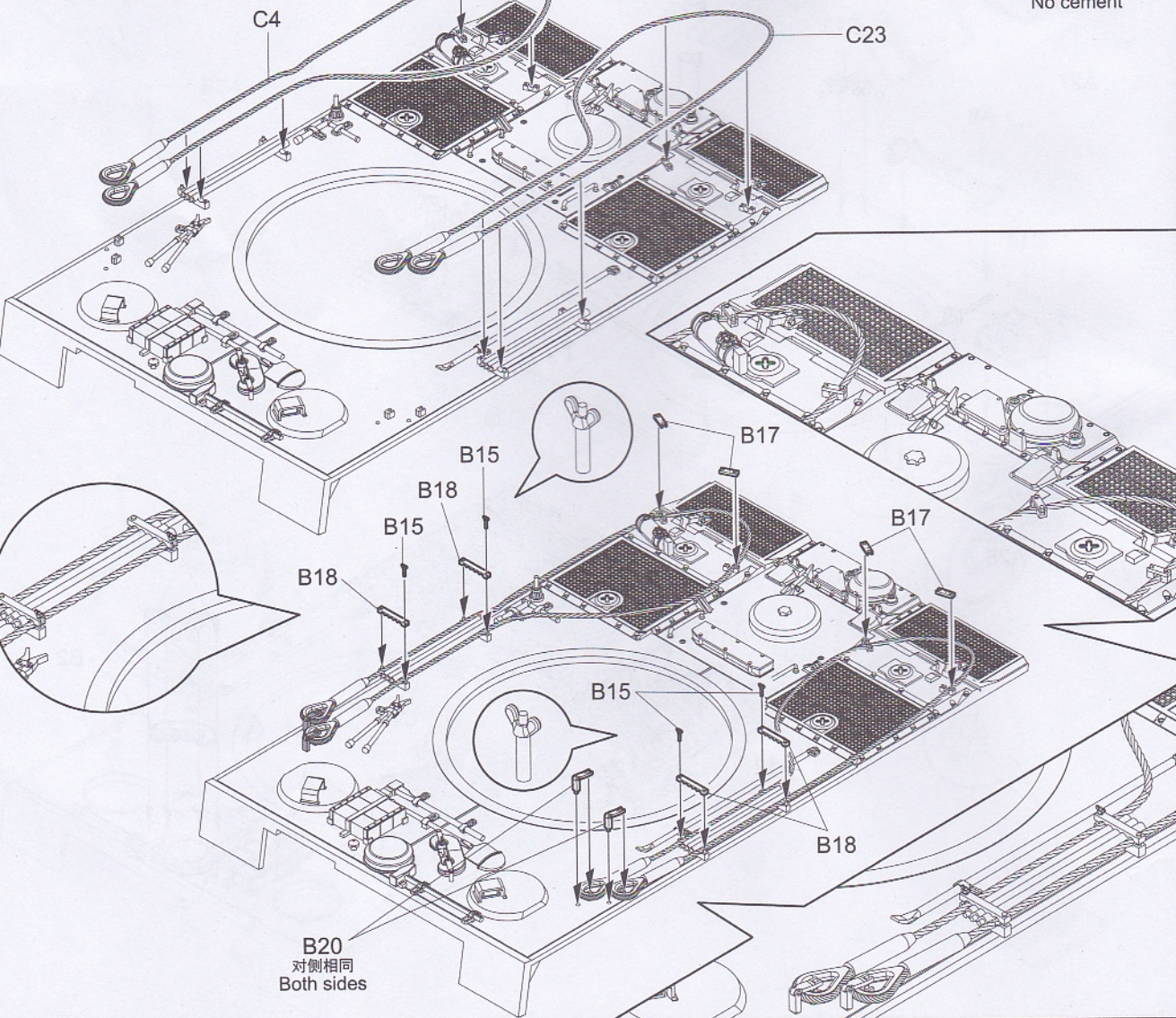
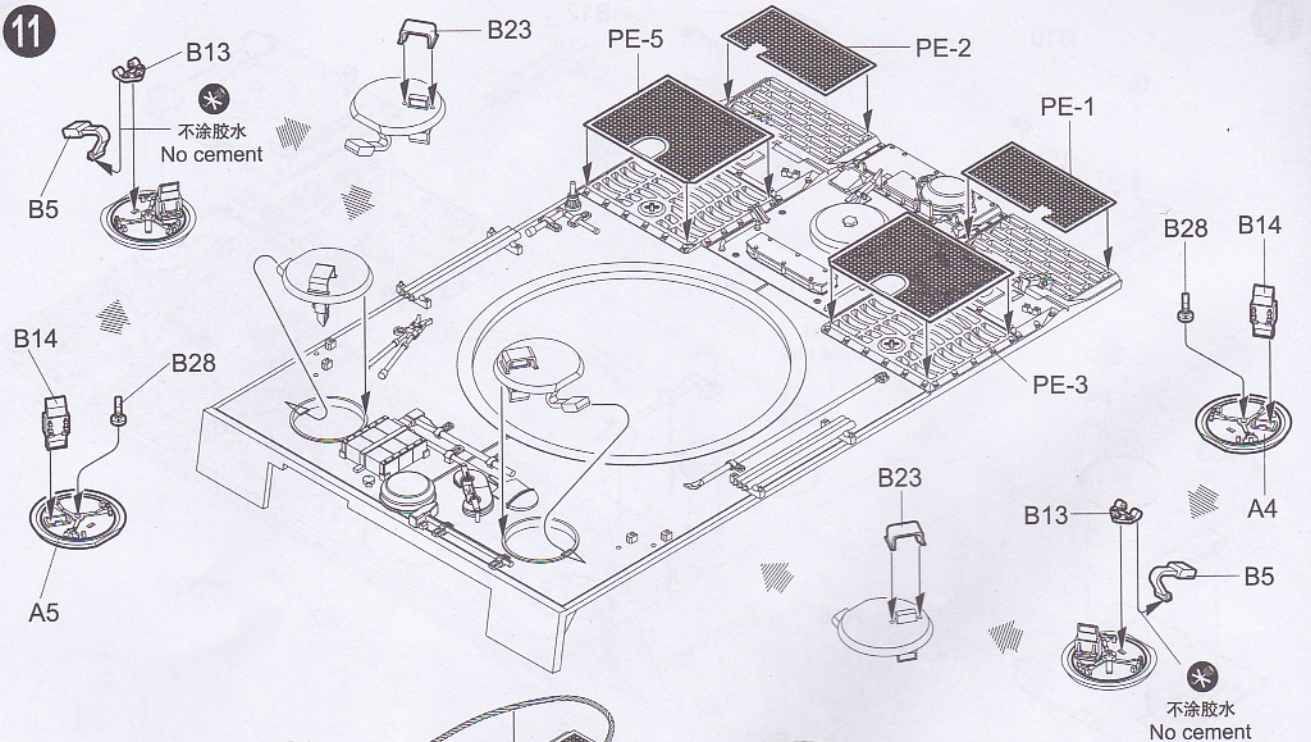
A29



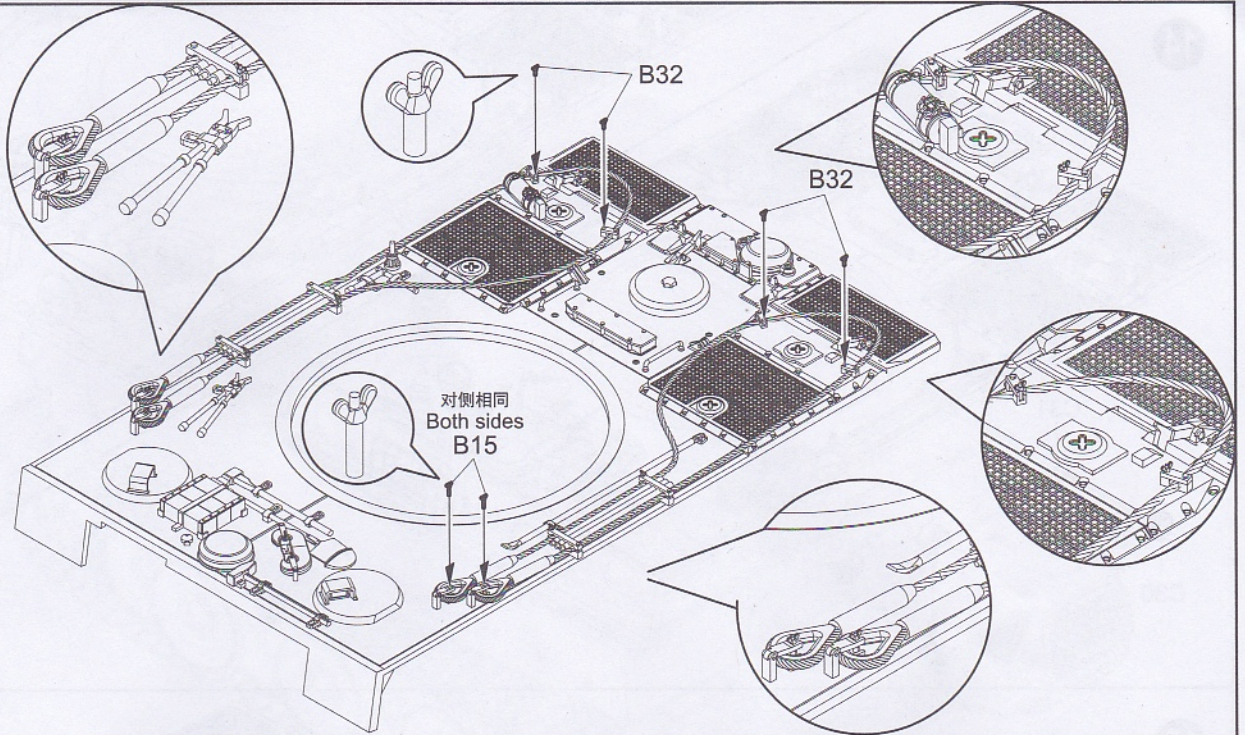
10



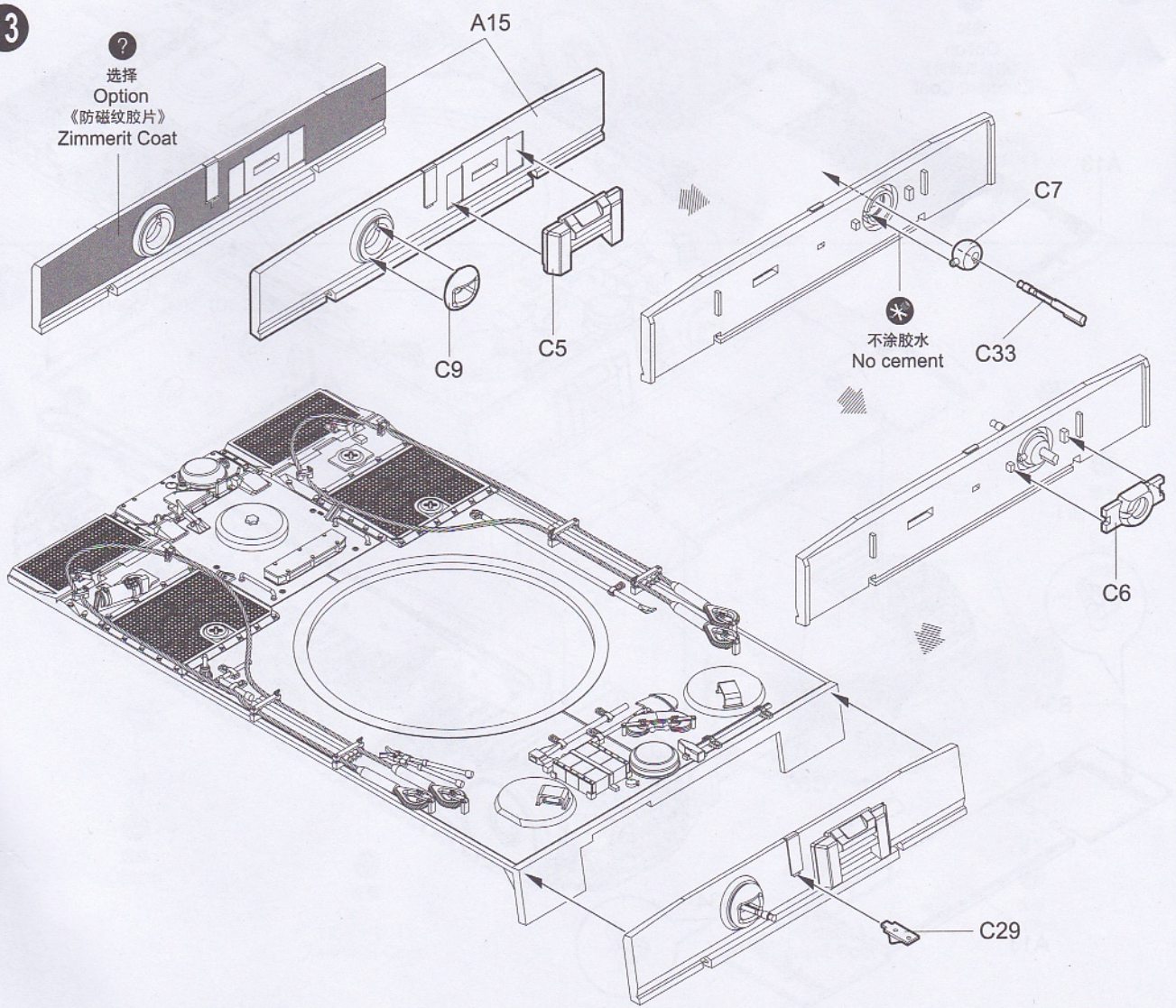
11



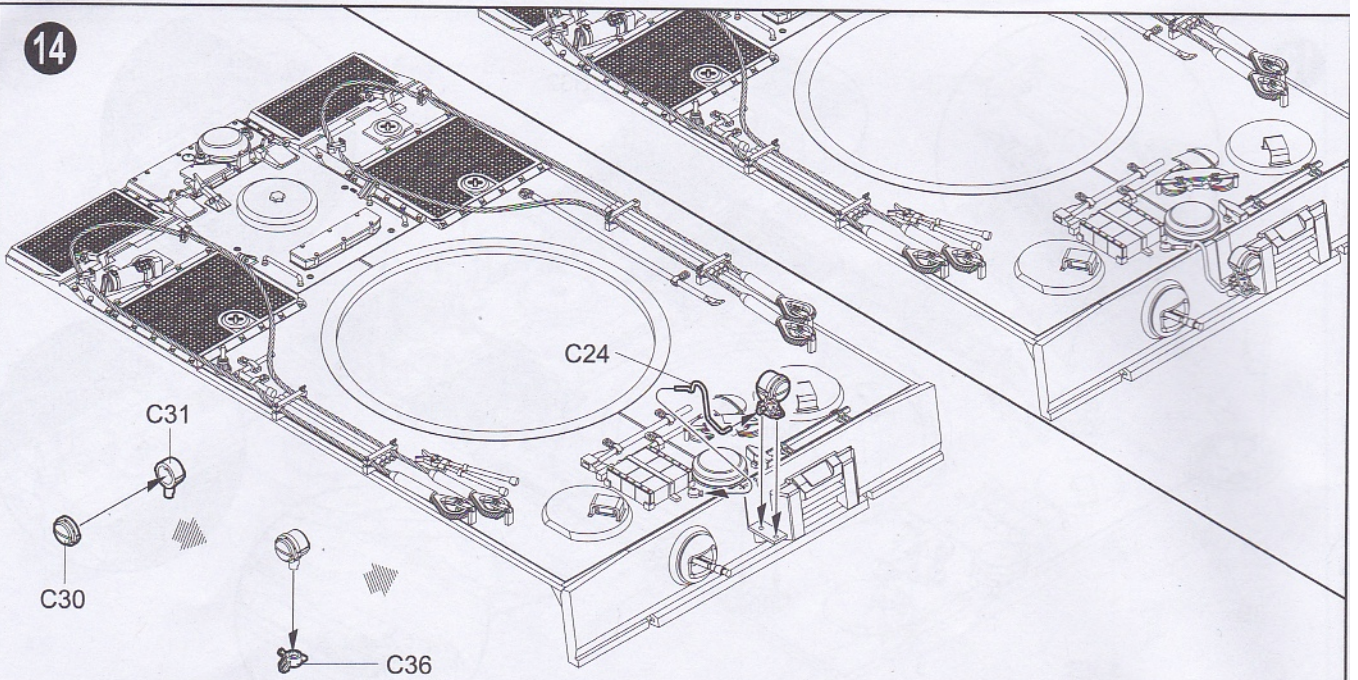
12



13

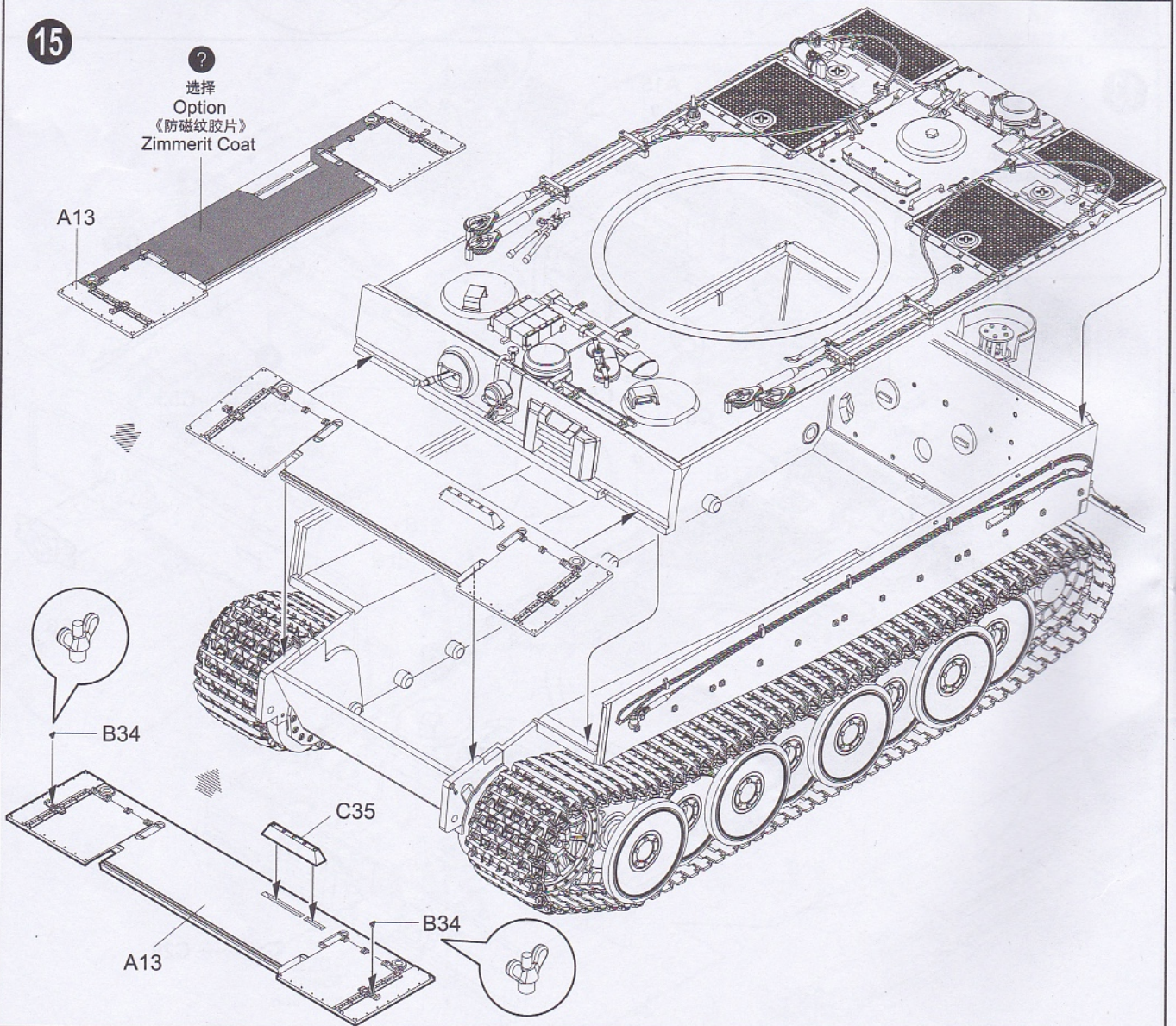


14



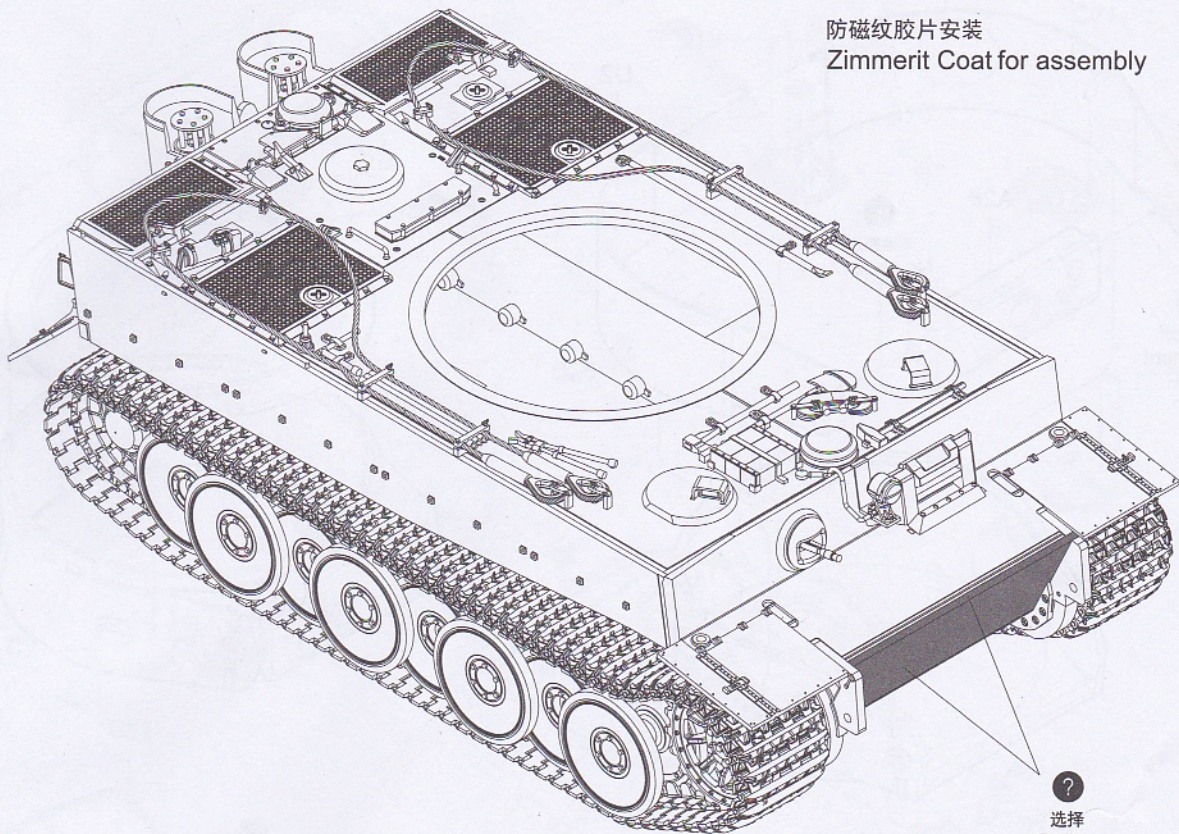
15

选择
Option
《防磁纹胶片》
Zimmerit Coat



16

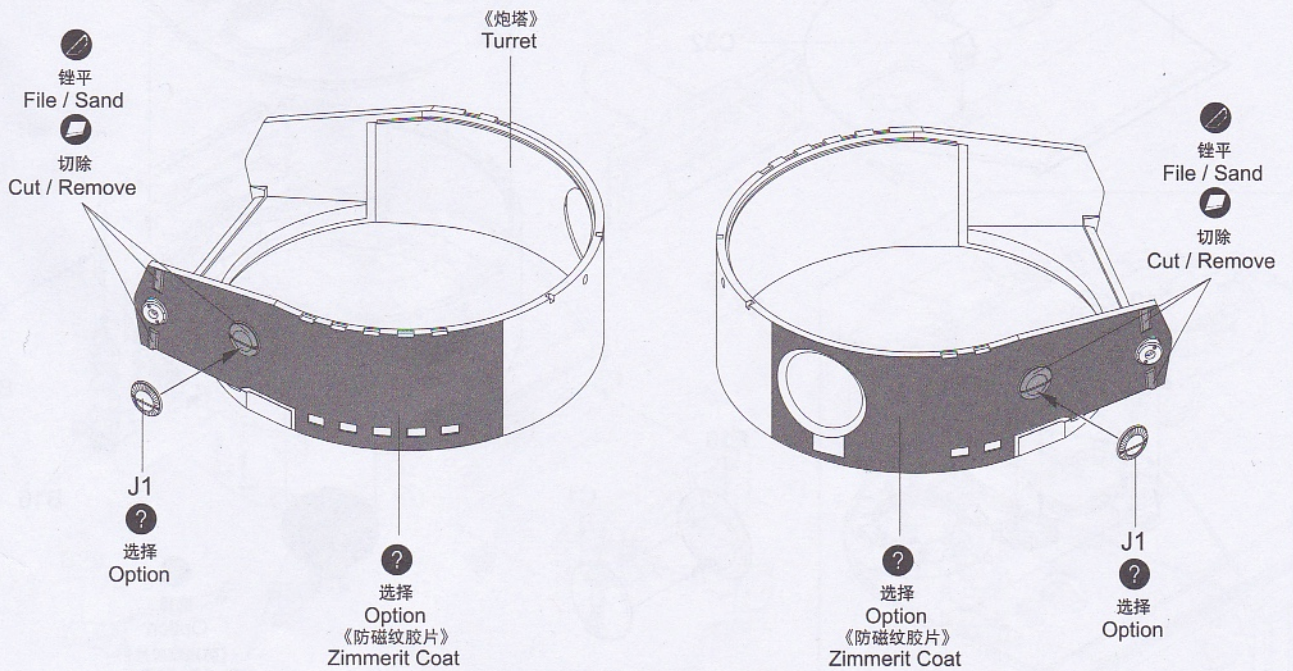
防磁纹胶片安装
Zimmerit Coat for assembly



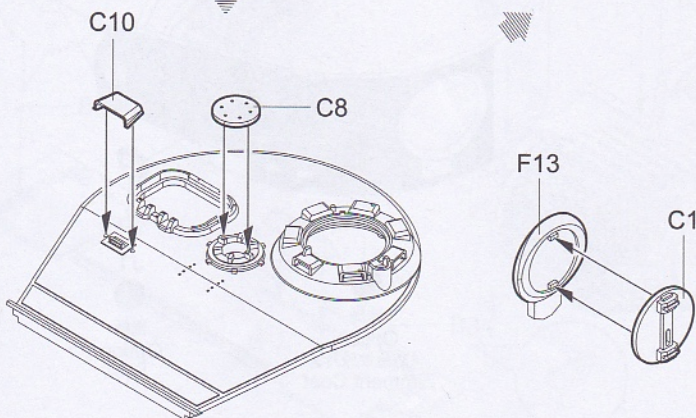
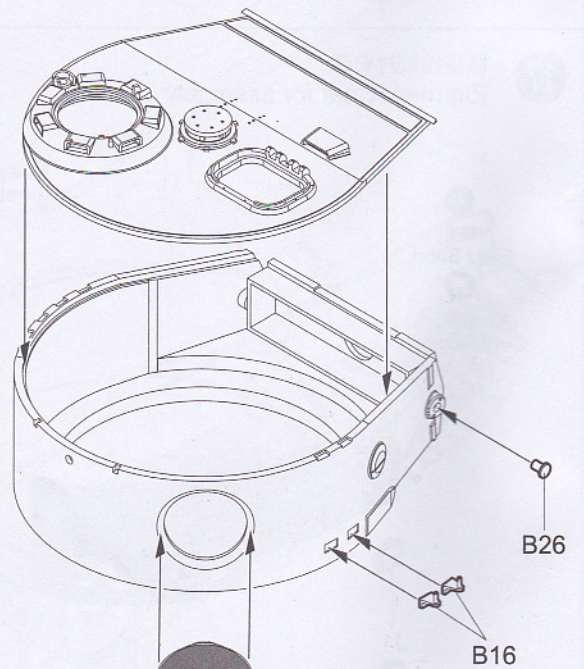
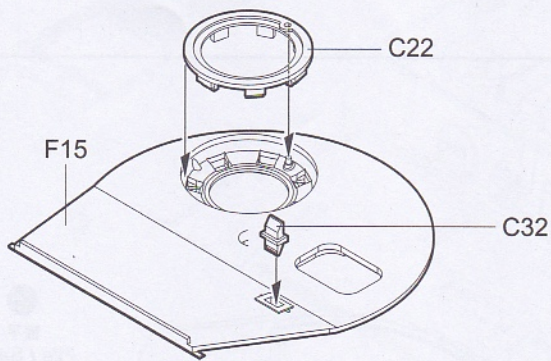
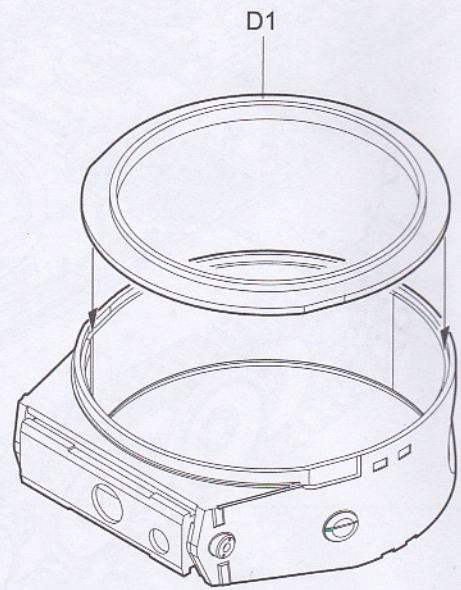
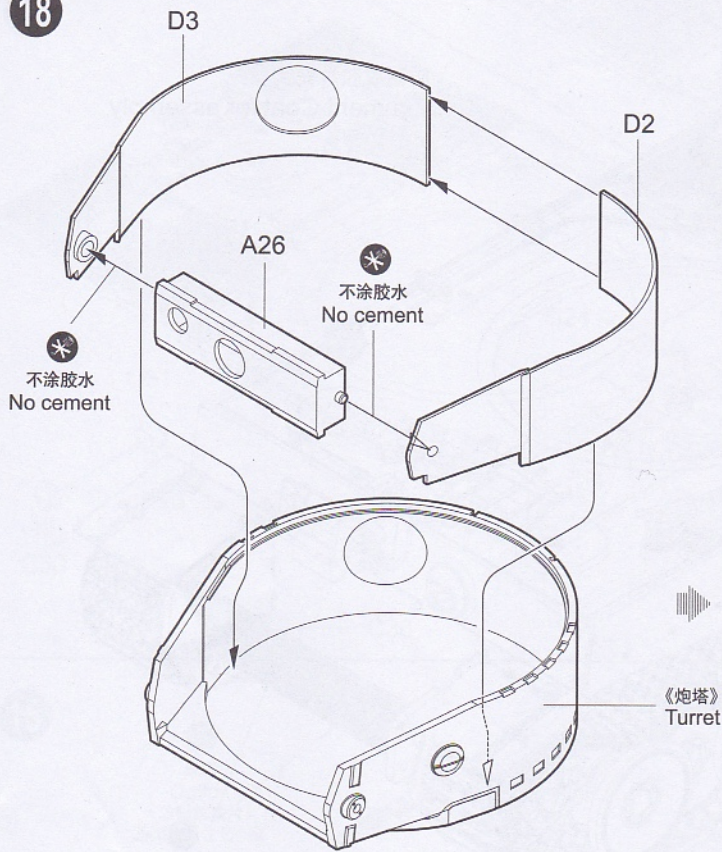
?
选择
Option
《防磁纹胶片》
Zimmerit Coat

17

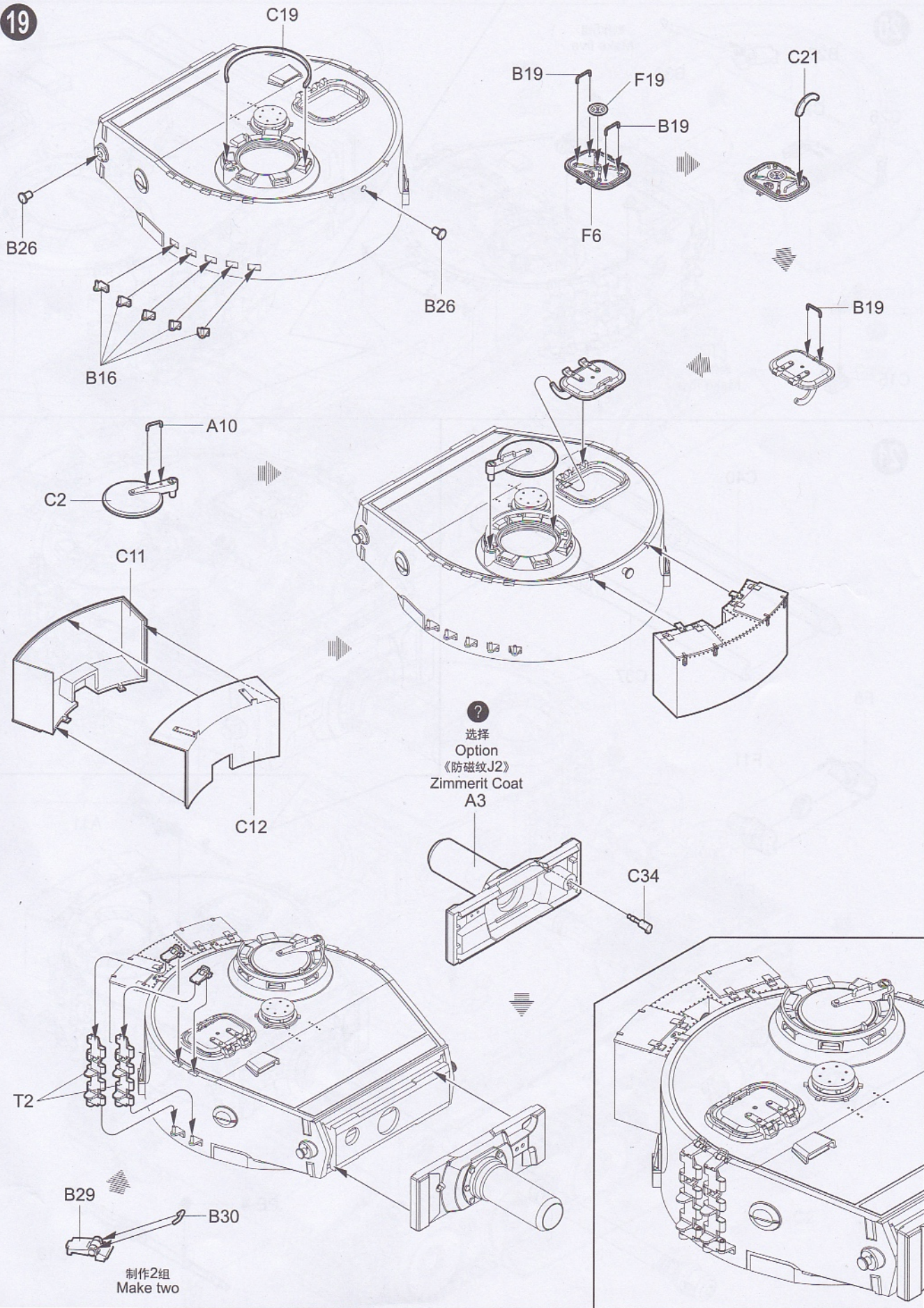
防磁纹胶片安装
Zimmerit Coat for assembly



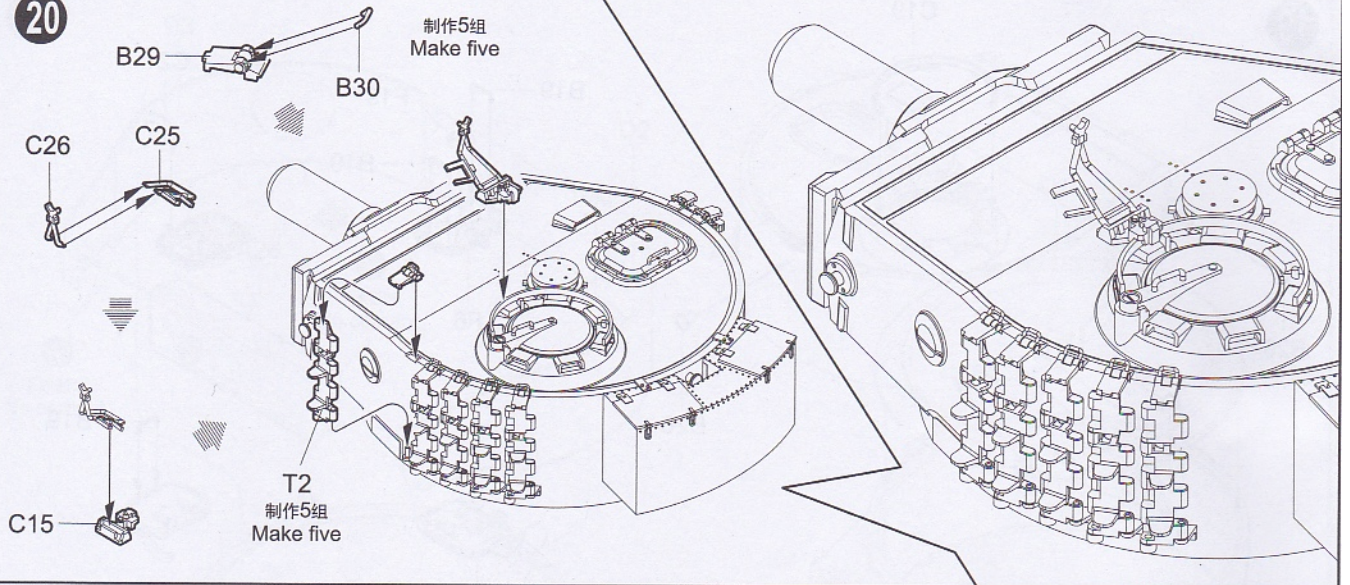
18



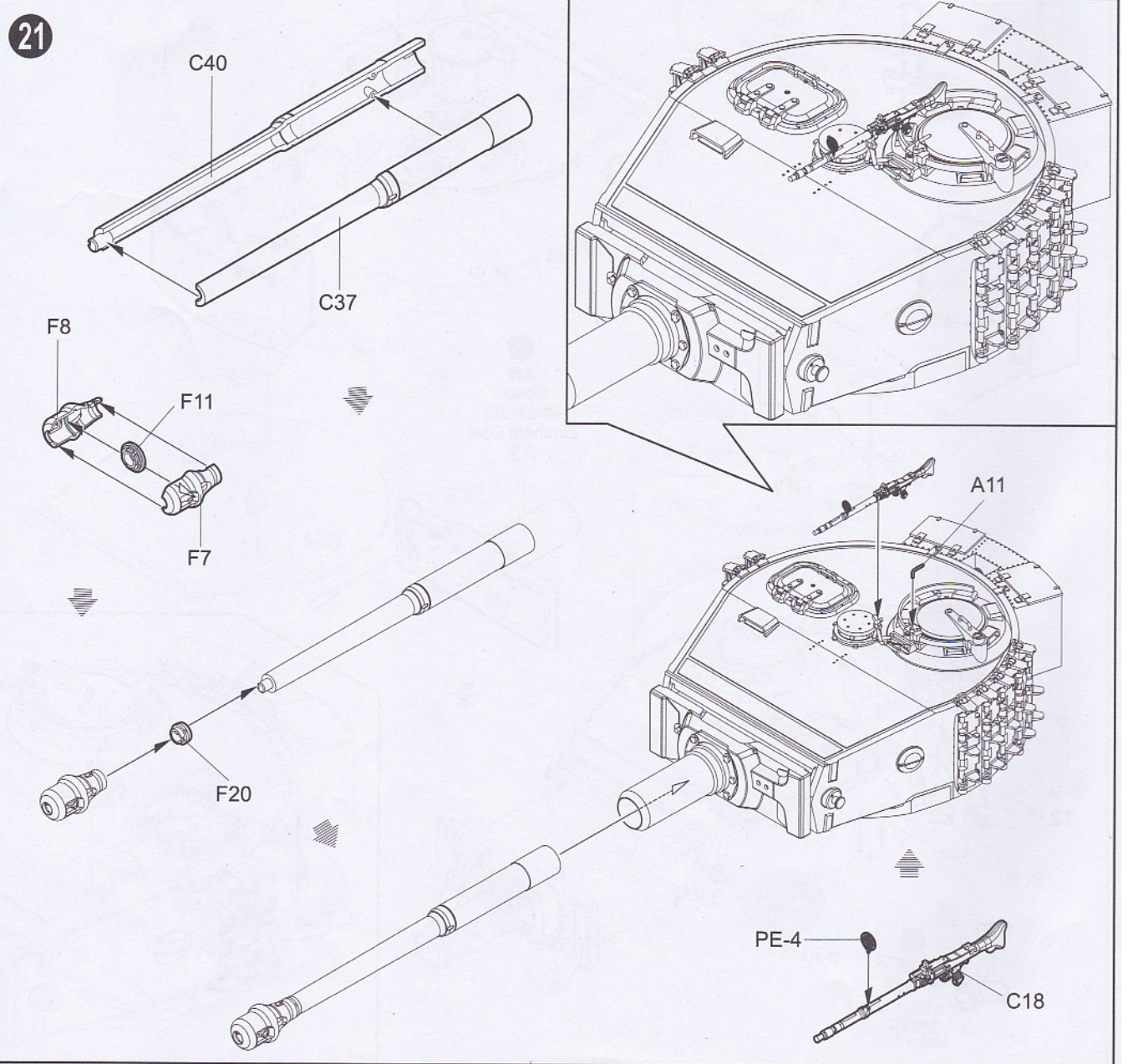
19



20



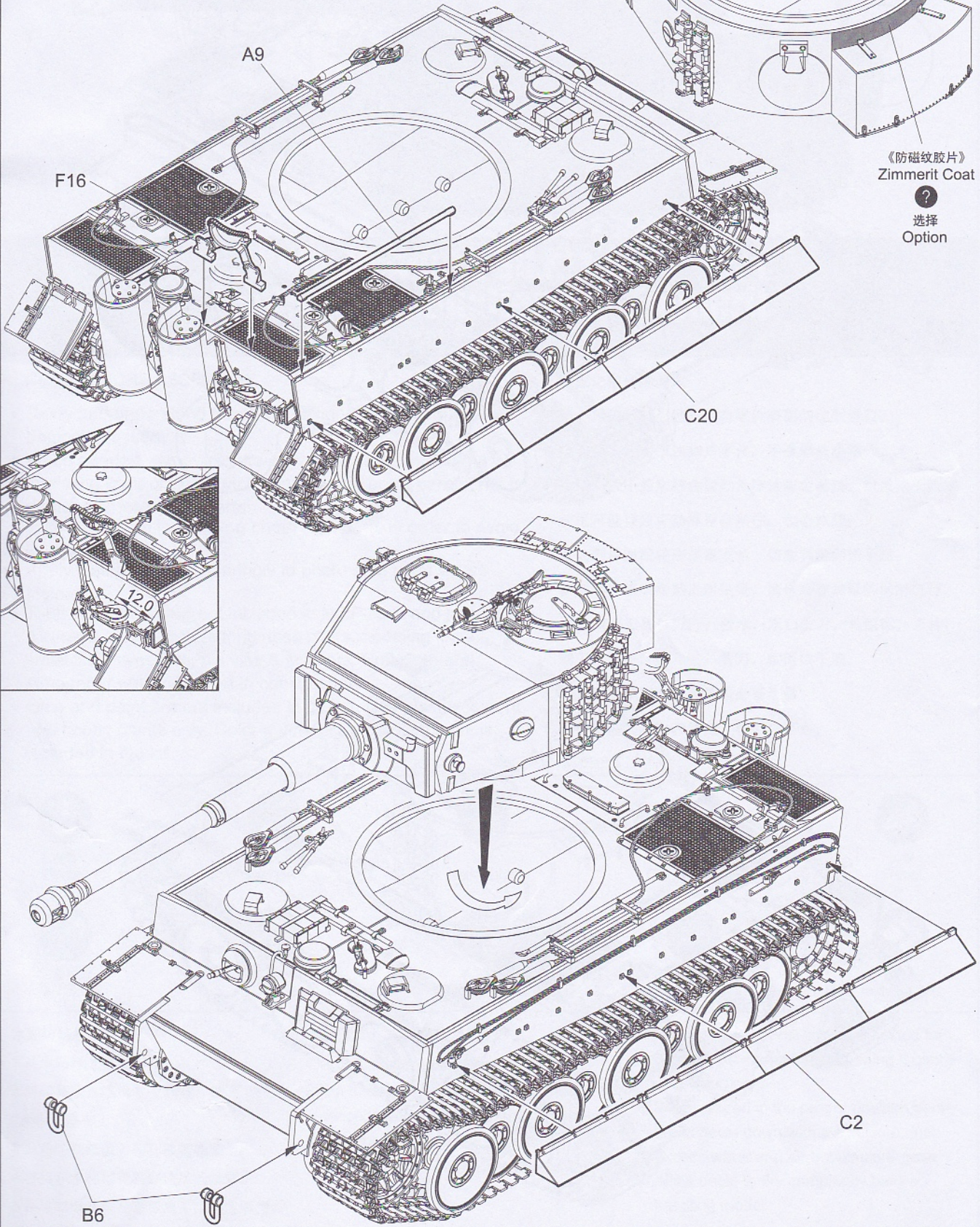
21



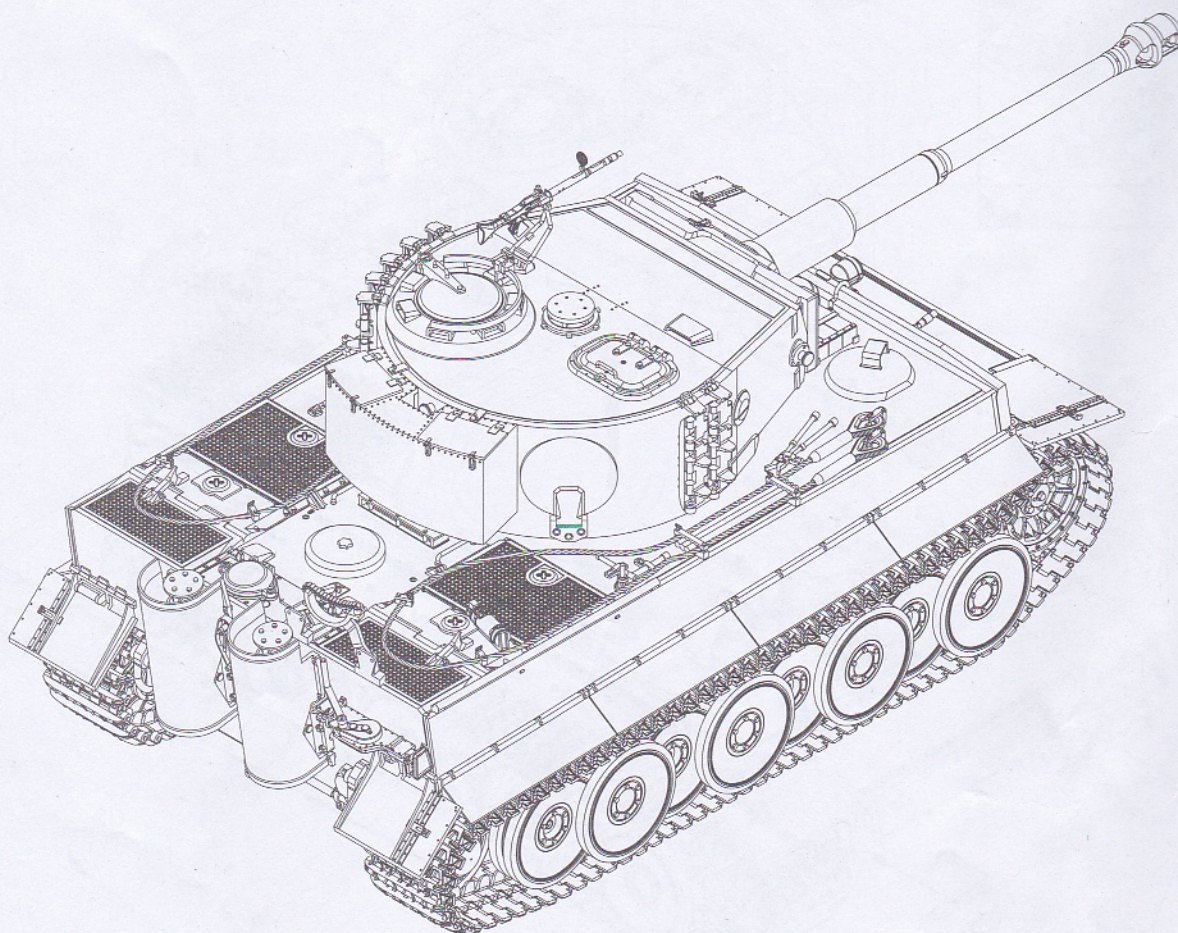
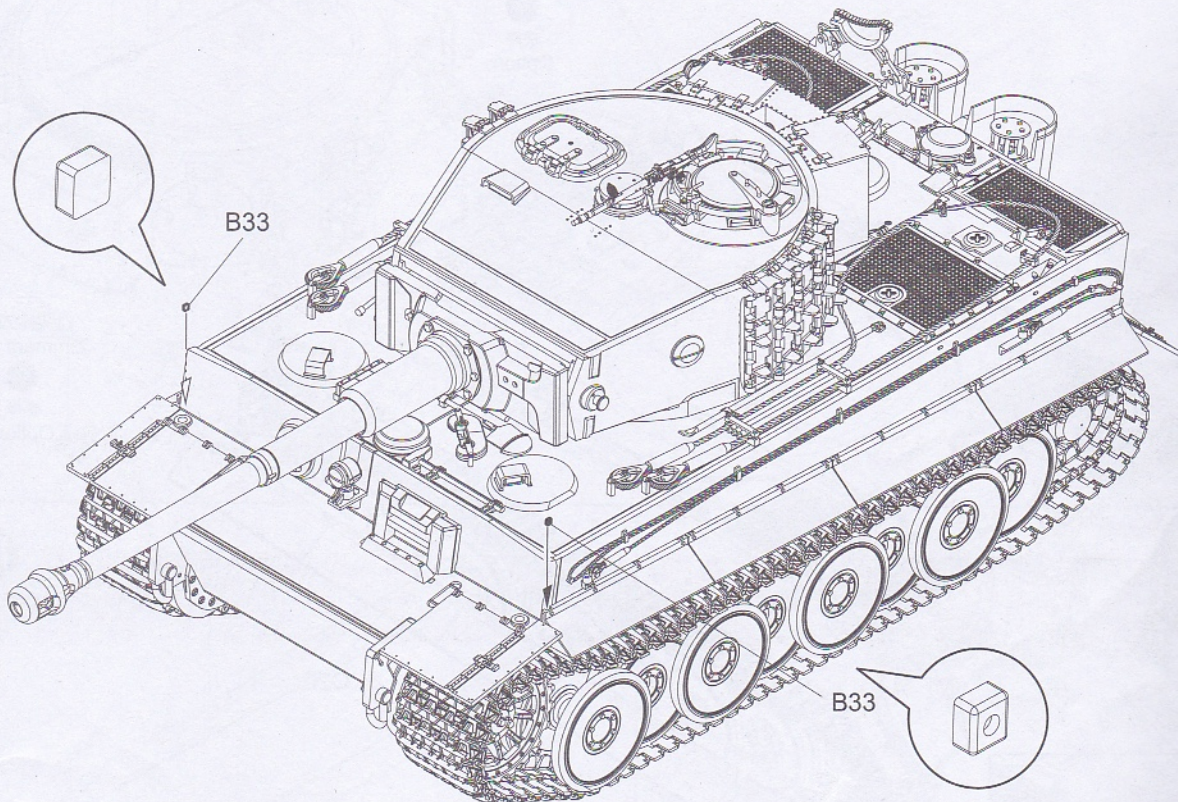
选择 Option

《防磁纹胶片》
Zimmerit Coat

选择 Option



23

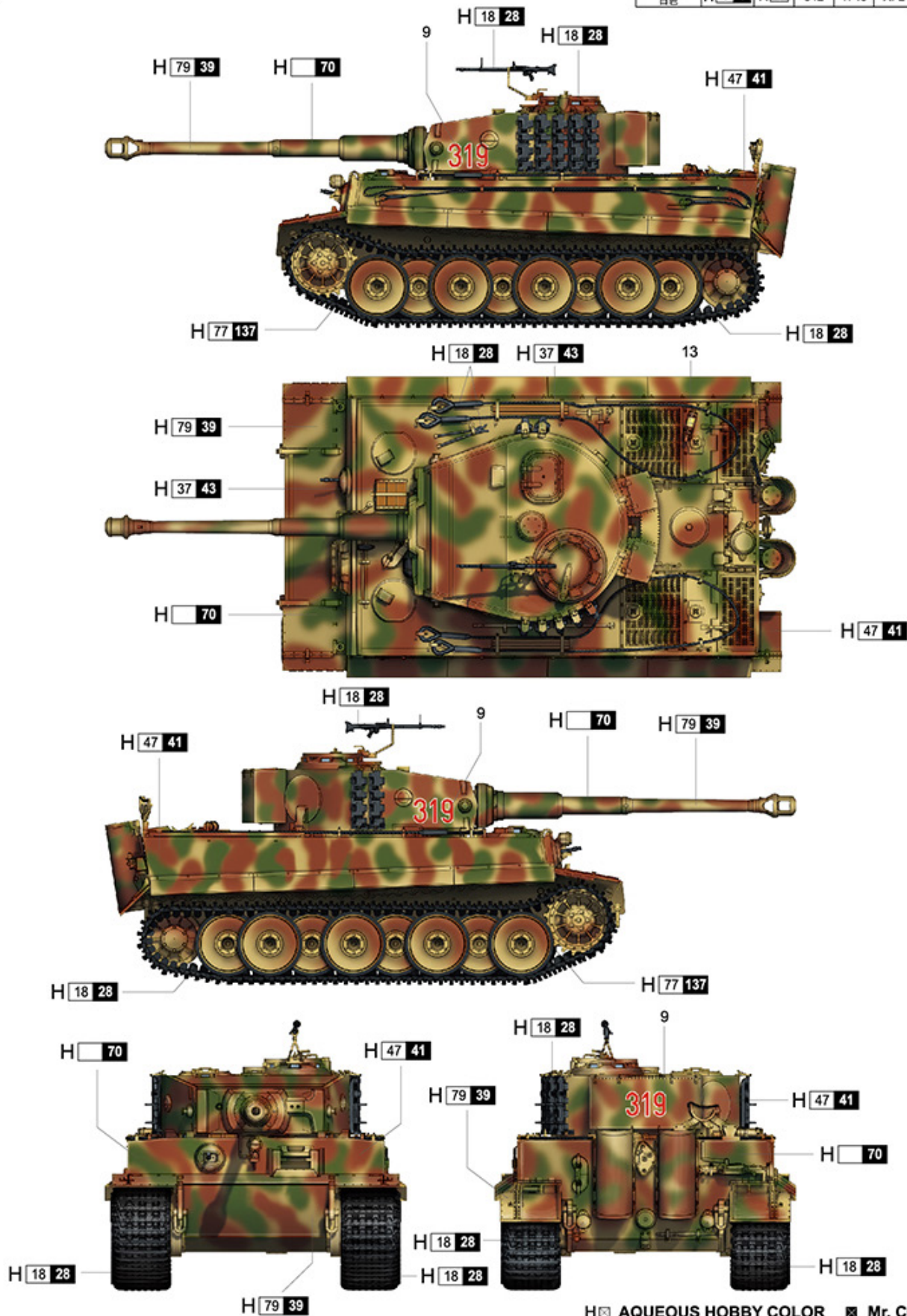


涂装同标贴指示 Painting & Marking guide

PAINT REFERENCE COLOR

Color	Mr.Hobby	Acryslon	Vallejo	Model Master	Tamiya	Humbrol	Color	Mr.Hobby	Acryslon	Vallejo	Model Master	Tamiya	Humbrol
Steel 黑铁色	H 18 28	N 18	864	1402	-	-	Dark Green 战车绿	H 79 39	N 79	-	-	-	-
Tire Black 胎黑色	H 77 137	N 77	-	-	-	-	Red Brown 红棕色	H 47 41	N 47	984	-	XF64	160
Wood Brown 木棕色	H 37 43	N 37	983	1701	-	186	Sand Yellow Ochre 砂黄色	H 79 39	N 79	824	-	XF59	93
							White 白色	H 1 1	N 1	842	1745	XF2	22

A



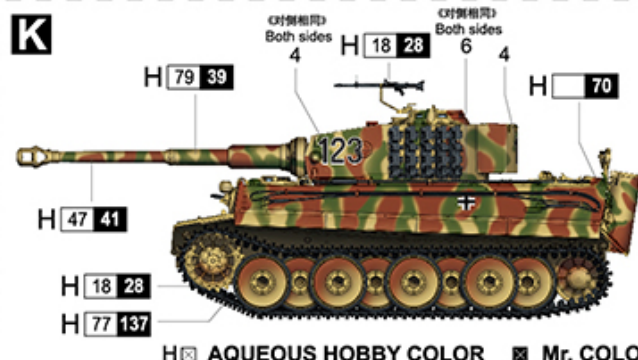
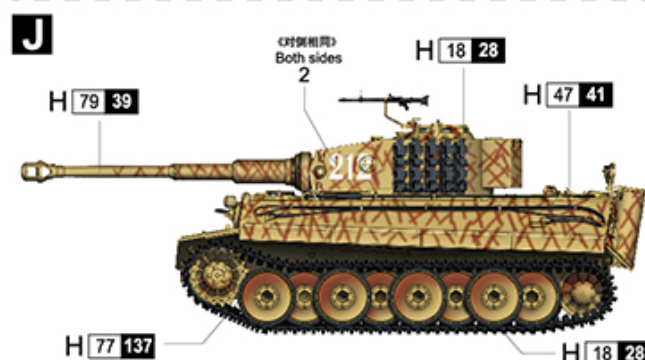
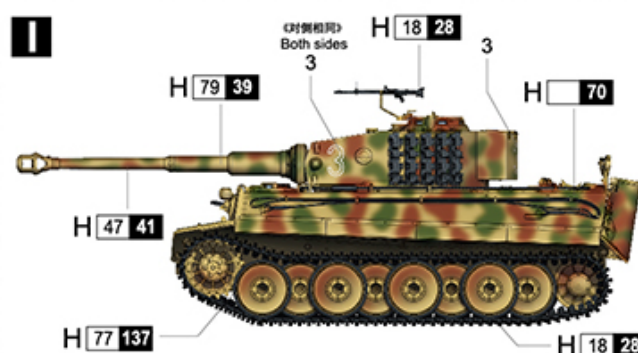
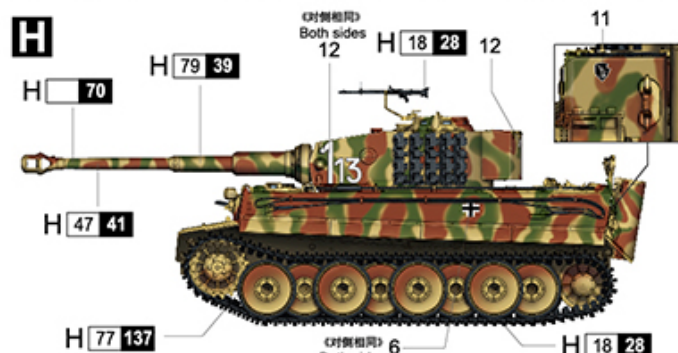
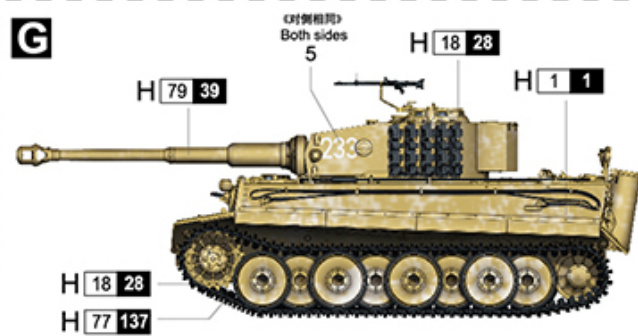
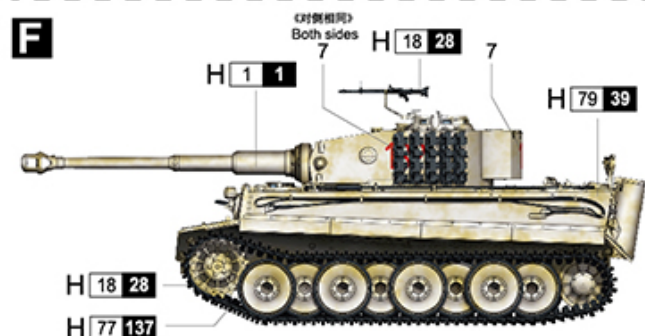
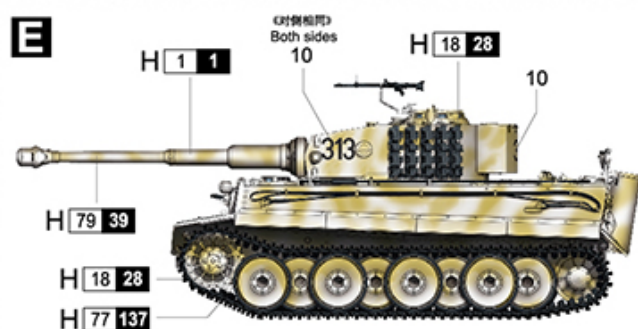
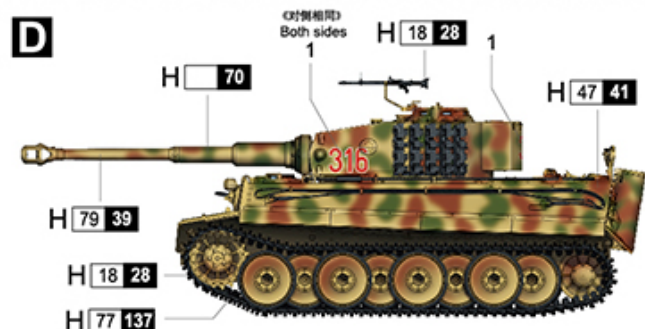
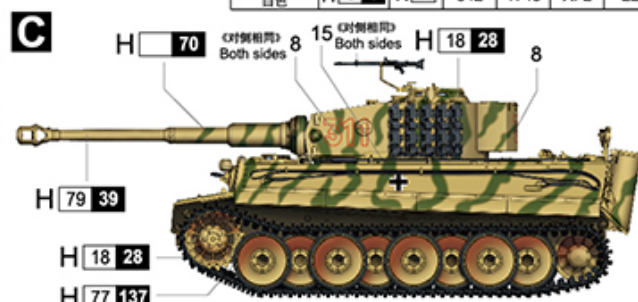
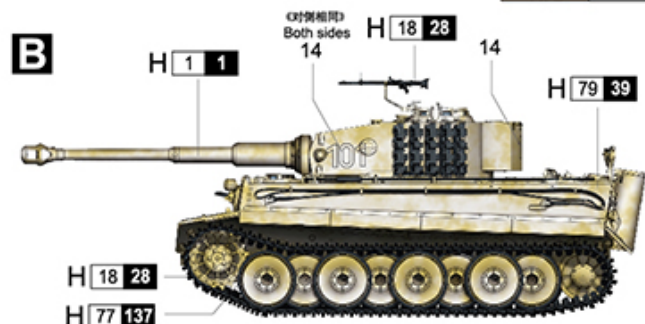
H AQUEOUS HOBBY COLOR Mr. COLOR
N ACRYSLON COLOR

涂装同标贴指示

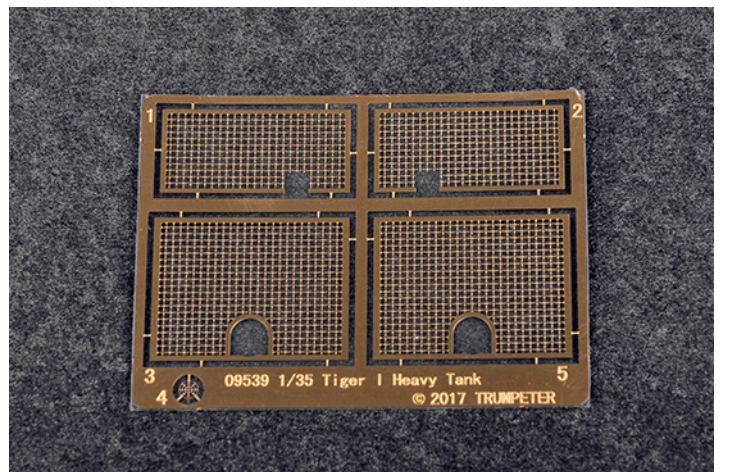
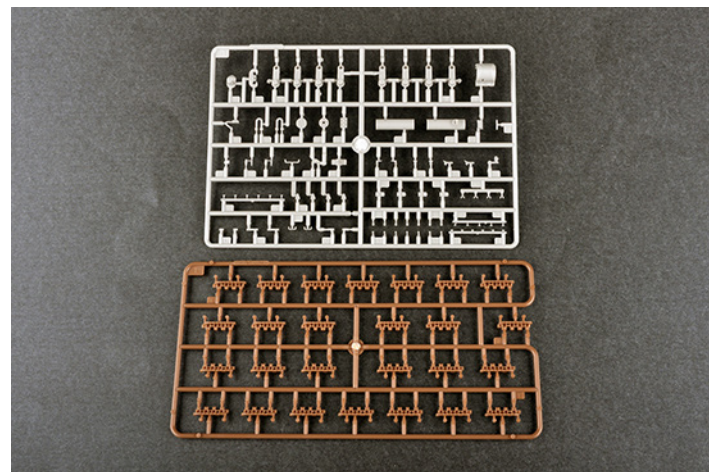
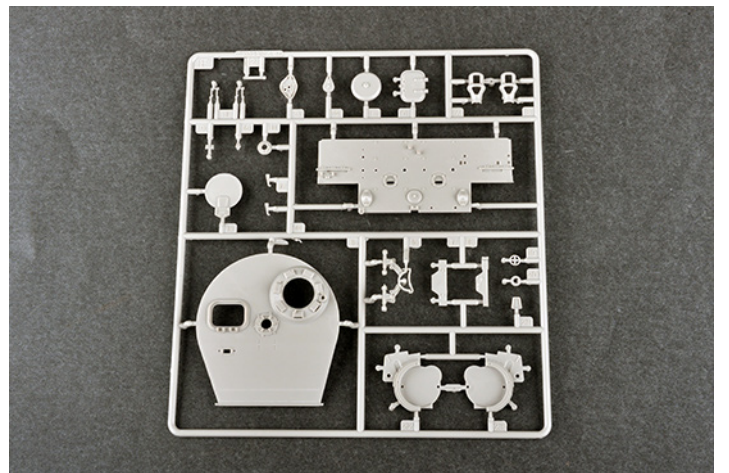
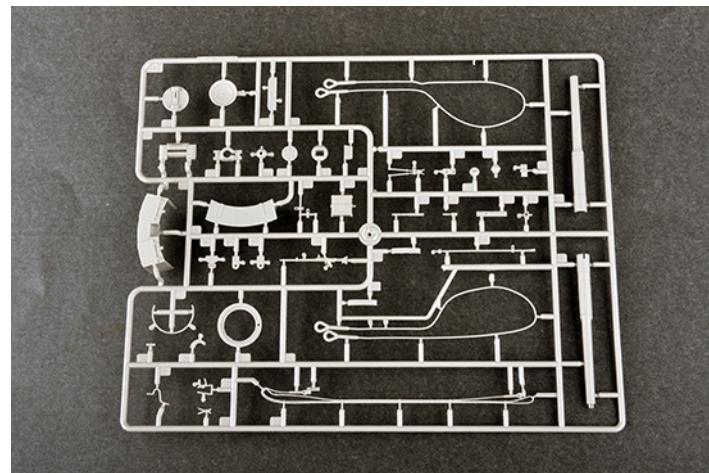
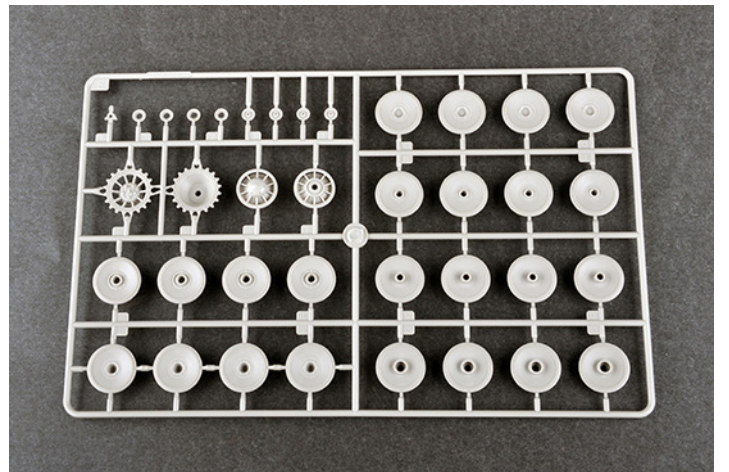
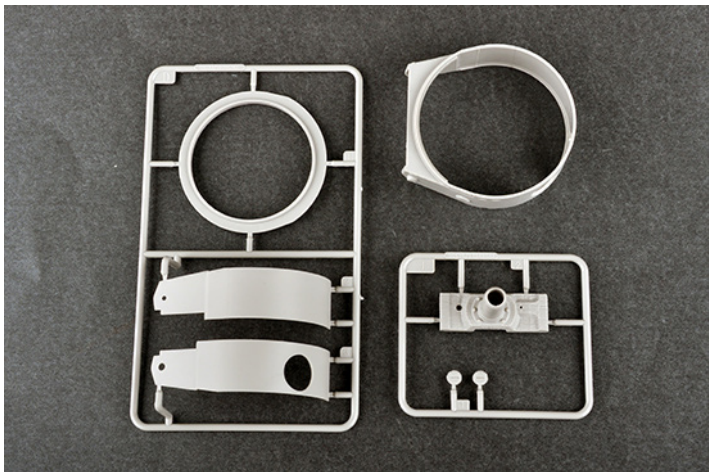
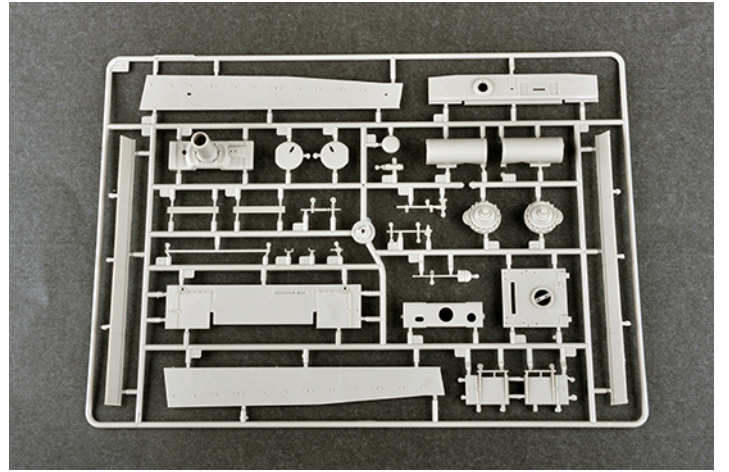
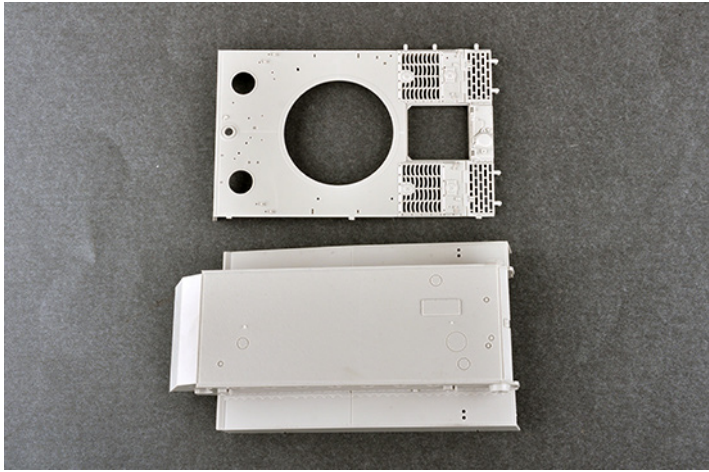
Painting & Marking guide

PAINT REFERENCE COLOR

Color	Mr.Hobby	Acryslon	Vallejo	Model Master	Tamiya	Humbrol	Color	Mr.Hobby	Acryslon	Vallejo	Model Master	Tamiya	Humbrol
Steel 黑铁色	H 18 28	N 18	864	1402	-	-	Dark Green 战车绿	H 70	N	-	-	-	-
Tire Black 胎黑色	H 77 137	N 77	-	-	-	-	Red Brown 红棕色	H 47 41	N 47	984	-	XF64	160
Wood Brown 木棕色	H 37 43	N 37	983	1701	-	186	Sand Yellow 砂黄色	H 79 39	N 79	824	-	XF59	93
							White 白色	H 1 1	N 1	842	1745	XF2	22



H AQUEOUS HOBBY COLOR N ACRYSION COLOR



¹ 316 316 316 212² 212³ 333

⁴ 123 123 123⁵ 233 233 +⁶ +

⁷ 132 132 132⁸ 311 311 311

⁹ 319 319 319 313¹⁰ 313 313 ¹¹ +

¹² 113 113 113¹³  101 101 101¹⁴ +¹⁵

09539 1/35
Pz.Kpfw.VI Ausf.E Sd.Kfz.181 Tiger I
(Medium Production) w/Zimmerit