

# STAR TREK™

THE ORIGINAL SERIES

## "TOMORROW IS YESTERDAY" • F-104 STARFIGHTER®

1:48 SCALE • PLASTIC ASSEMBLY GLUE-TOGETHER MODEL KIT



### ASSEMBLY INSTRUCTIONS

**GENERAL ASSEMBLY:** This highly detailed kit features precision-tooled parts for ease of assembly, but care and patience must be exercised to achieve optimal results. It is recommended that the builder examine the instructions carefully and do a **dry test fit of parts before applying cement**. You will find this very helpful, as it will allow you to gain a clear understanding of how the parts fit together in order to best plan painting and final assembly.

**SUB-ASSEMBLIES:** Note that this kit is intended to be built in sub-assemblies. This makes building the kit far more manageable. It is very important to note that you will also find it extremely advantageous to **apply paint and decals to sub-assemblies before completing final assembly**. Please see the other side of this instruction sheet for details on complex paint and decal placement.

**DECALS & PAINT:** This kit includes detailed water slide decals. The decals do not require setting solution but they are compatible with it. Paint is not required to produce satisfactory results. However, some modelers prefer to add additional painted detail to their kits. See the diagrams on this sheet for instructions regarding decal placement and optional paint specs. For best results apply dull coat for final finish.

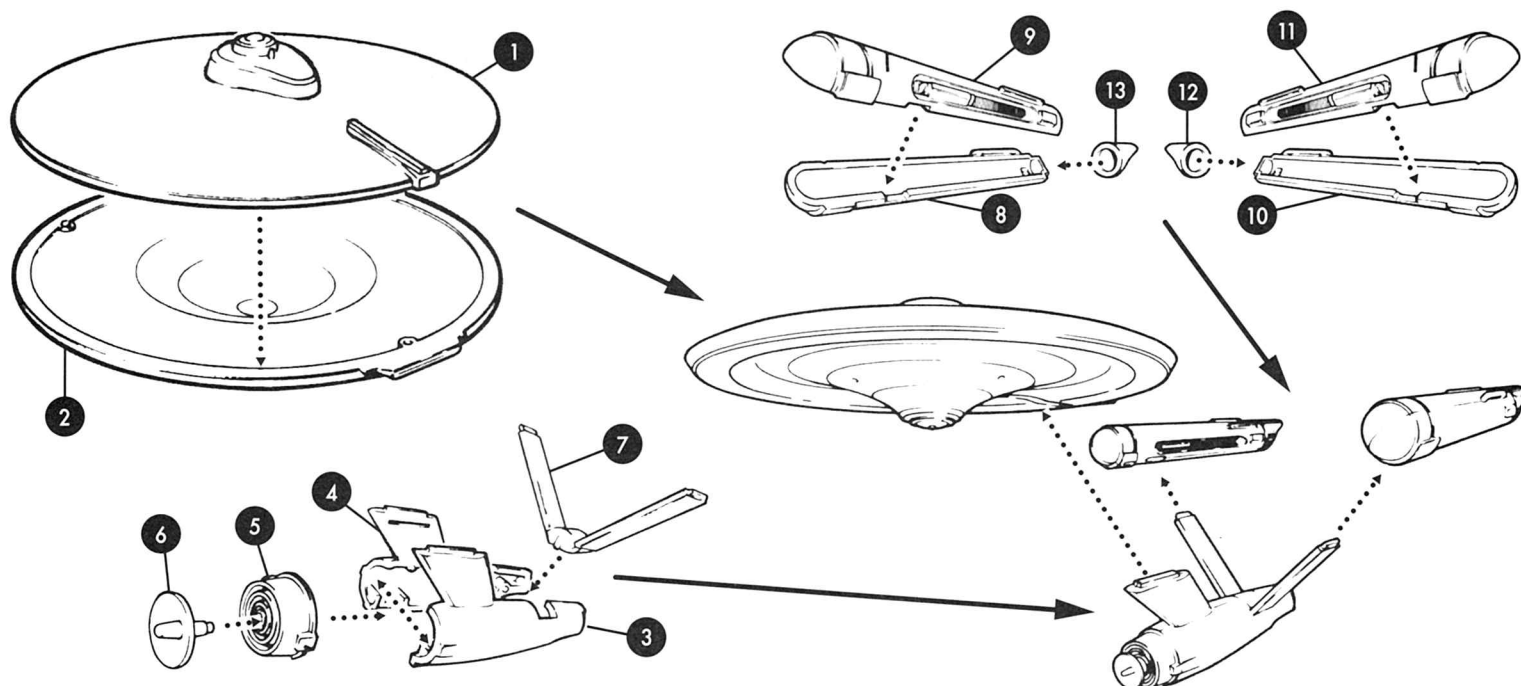
SKILL LEVEL 2  
[round2models.com](http://round2models.com)  
[STARTREK.COM](http://STARTREK.COM)

#### KEY TO NUMBERING SYSTEM

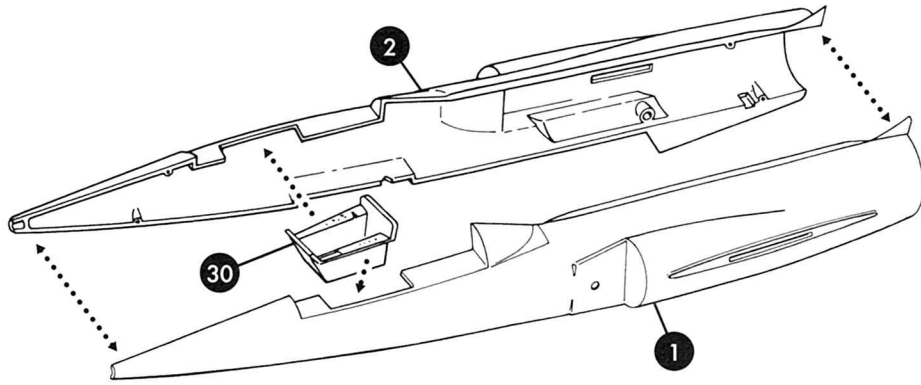
- 1 Part NUMBER (1-30)
- 1 Step number (1-5)
- A Paint This Color
- 1 Decal NUMBER (1-30)

TM & © 2016 CBS Studios Inc. STAR TREK and related marks and logos are trademarks of CBS Studios Inc. LOCKHEED MARTIN®, [F-104 Starfighter®], associated emblems and logos, and body designs of vehicles are either registered trademarks or trademarks of Lockheed Martin Corporation in the USA and/or other jurisdictions, used under license by Round 2 LLC. AMT and design and Round 2 and design are trademarks of Round 2, LLC. © 2016 Round 2, LLC, South Bend, IN 46628 USA. Product and packaging designed in the USA. Made in China. All rights reserved.

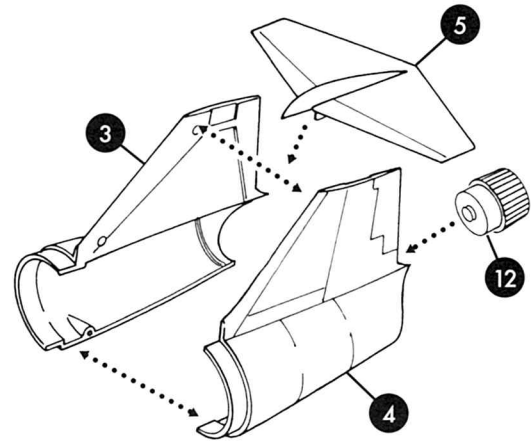
### 1 U.S.S. ENTERPRISE ASSEMBLY



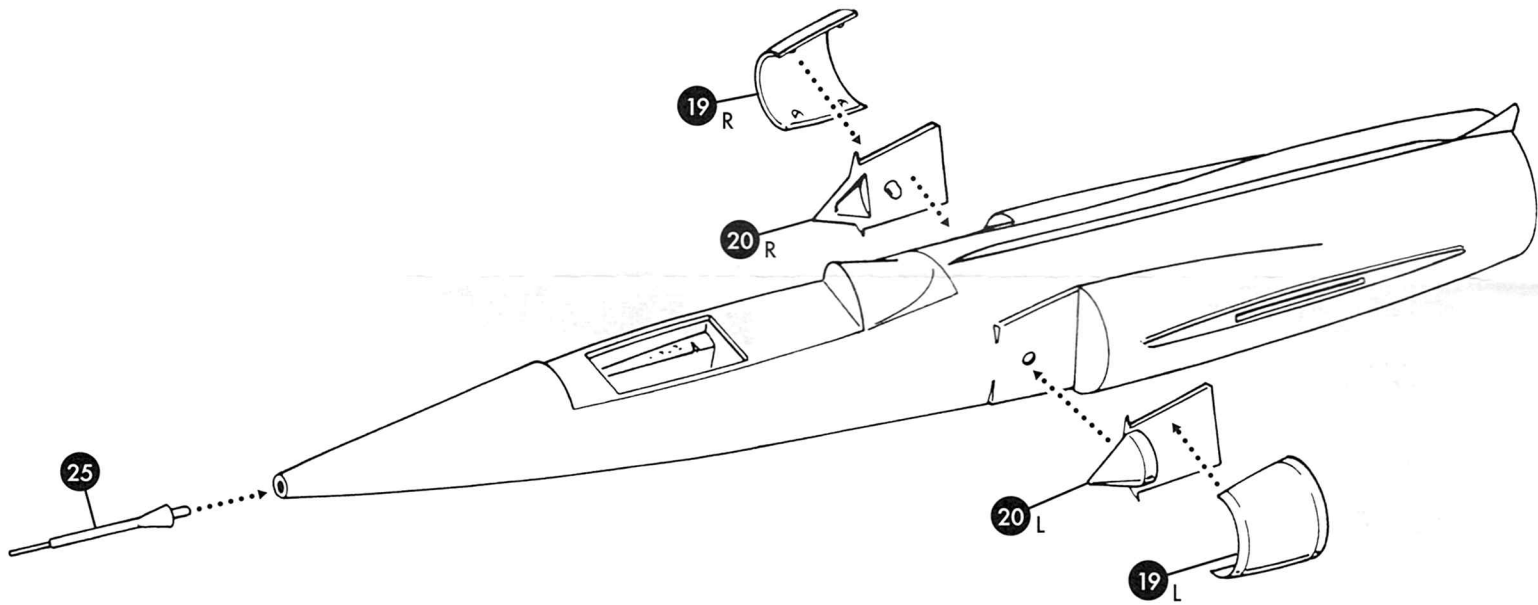
## 2 F-104 PRIMARY FUSELAGE



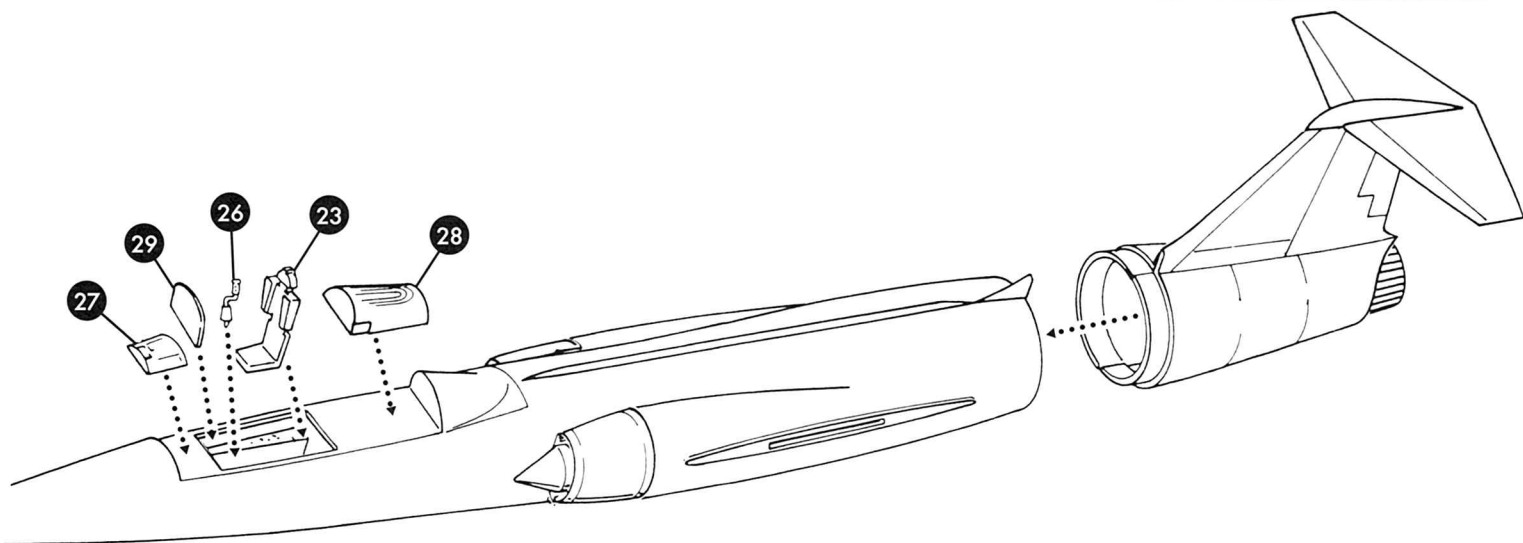
## 3 F-104 REAR



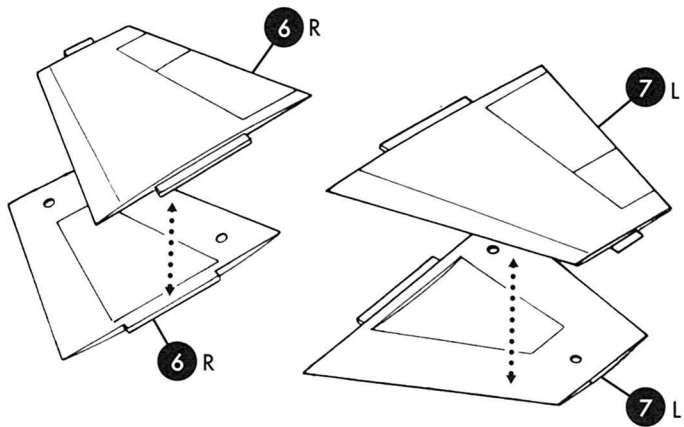
## 4 F-104 AIR INTAKE



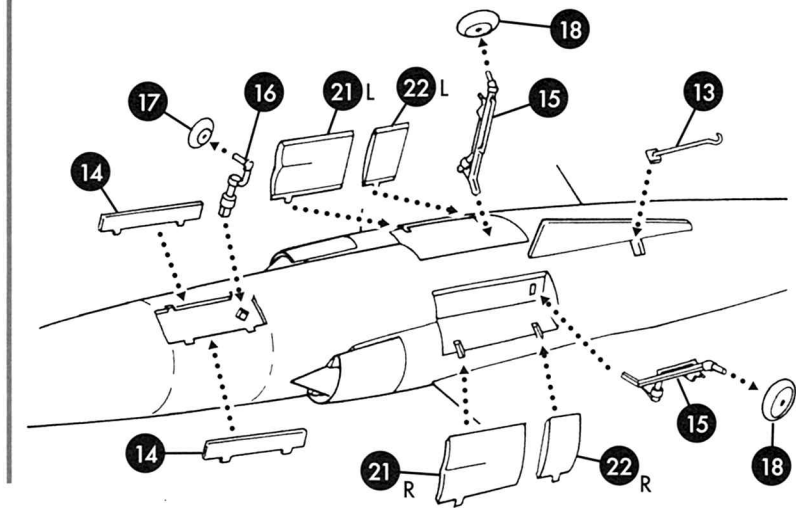
## 5 F-104 MAIN FUSELAGE



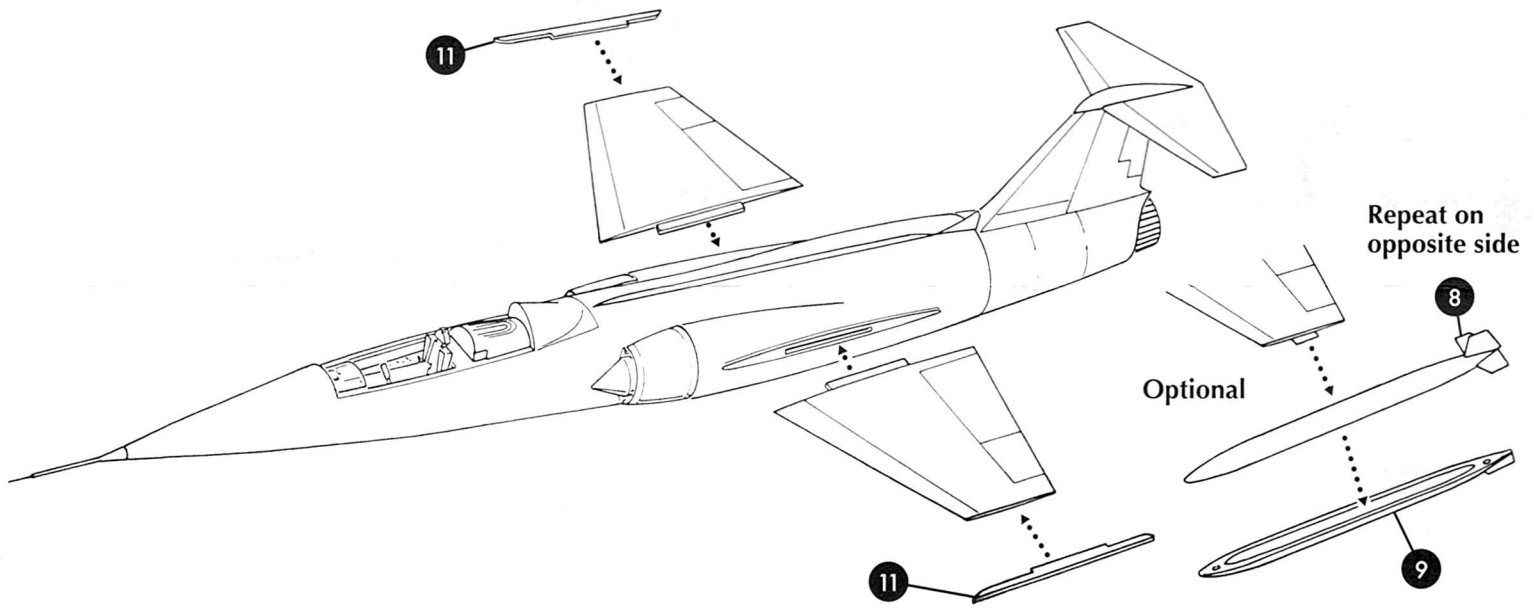
## 6 F-104 WING



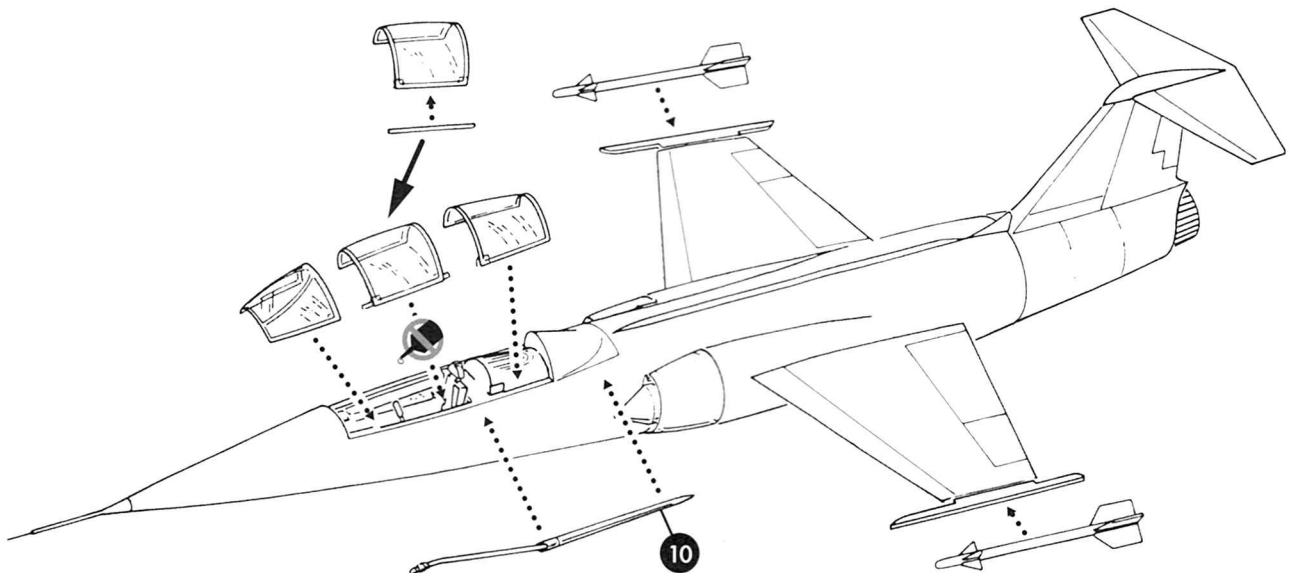
## 7 F-104 LANDING GEAR



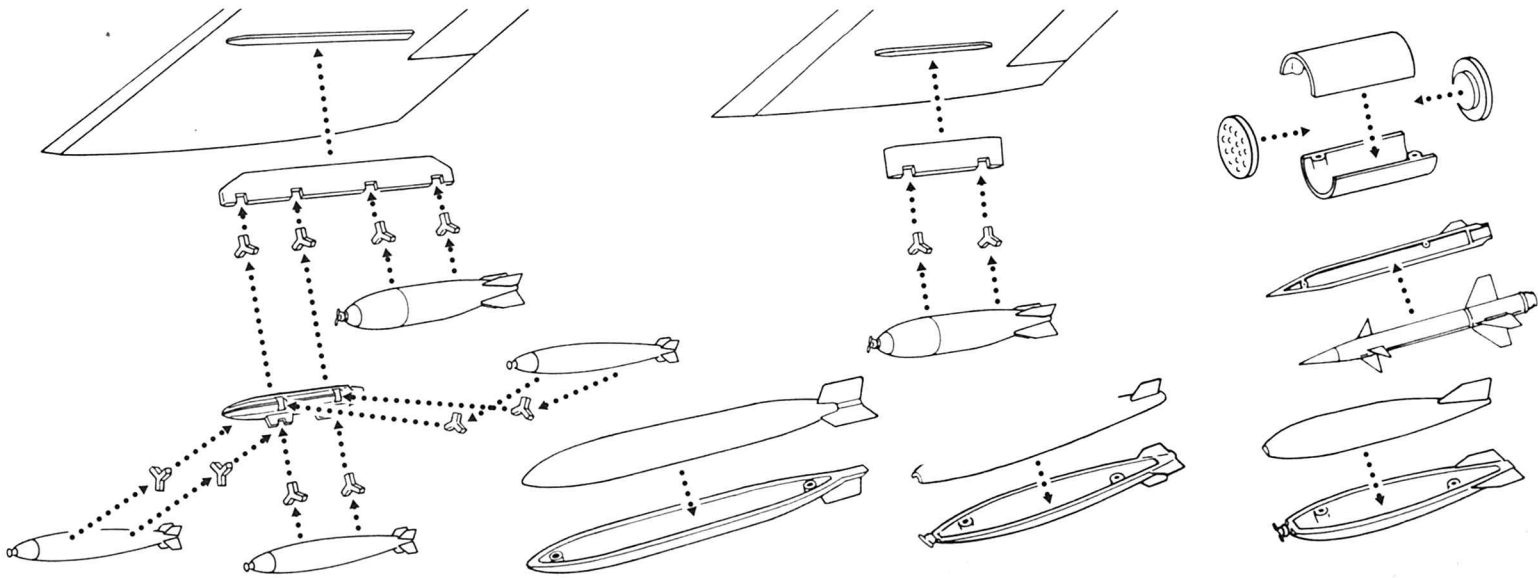
## 8 F-104 OVERALL



## 9 F-104 CANOPY & ARMAMENT



# 10 F-104 UNDERWING ORDNANCE



# 11 PAINT & DECAL APPLICATION

## COLOR CHART

- |                      |                          |
|----------------------|--------------------------|
| <b>A</b> Light Gray  | <b>E</b> Chrome / Silver |
| <b>B</b> Medium Gray | <b>F</b> Gunmetal        |
| <b>C</b> Copper      | <b>G</b> Matte Black     |
| <b>D</b> White       |                          |

