

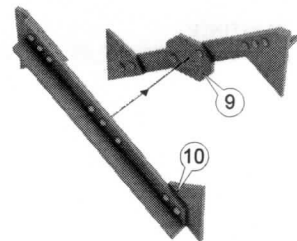
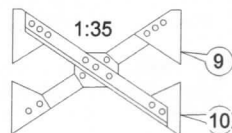
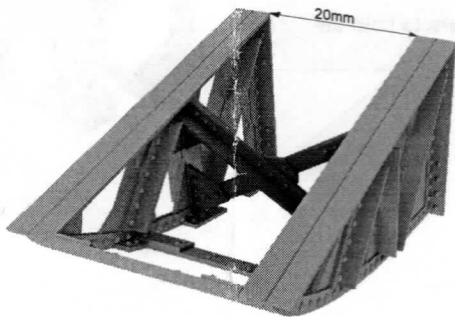
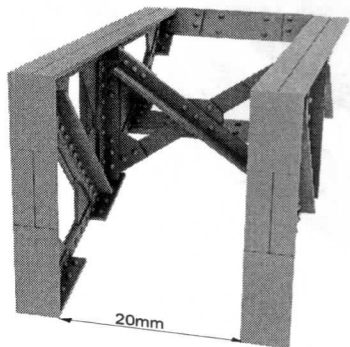
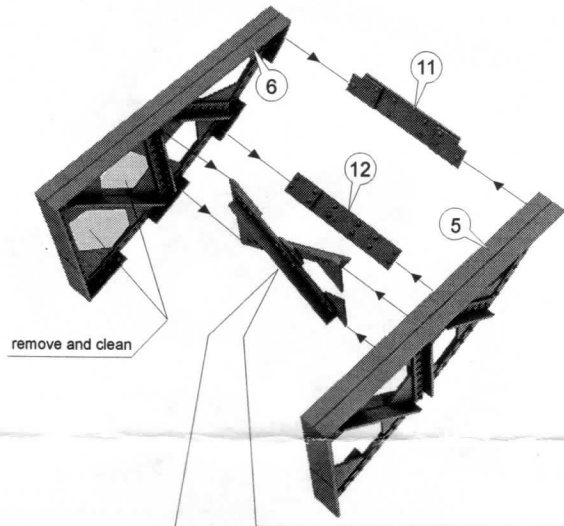
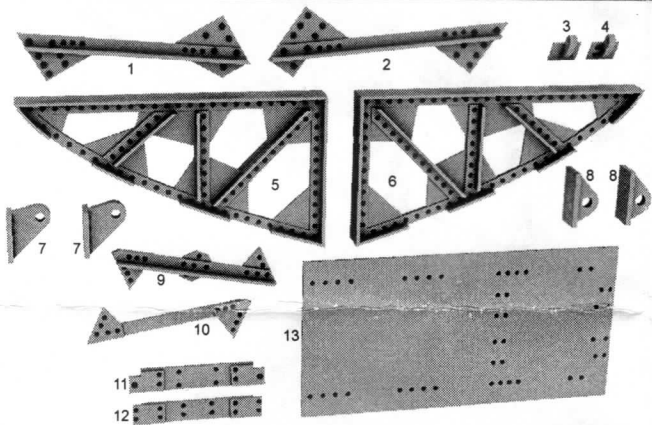


www.nikomodel.pl

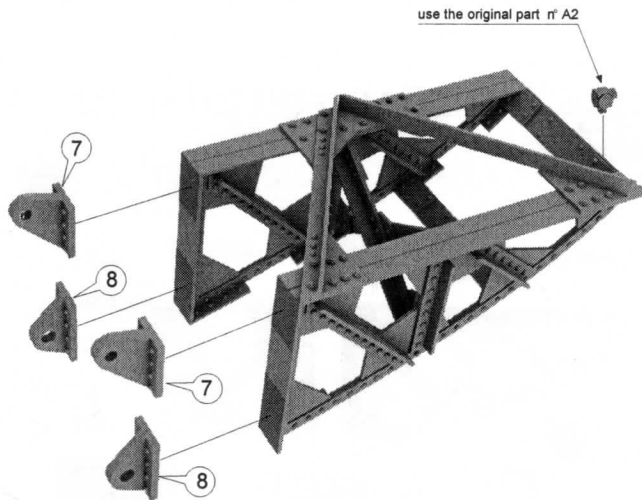
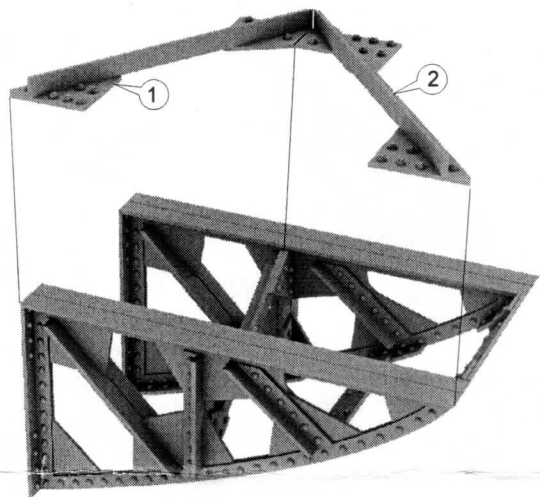
THE TAIL FOR CHAR 2C

(MENG TS-009)

ASSEMBLY INSTRUCTION SCALE 1:35



VERTE



Important

Part number 13 needs to be dipped into hot water for a few seconds, before using; resin becomes softer and easier to form.

ATTENTION!! Be careful, use plastic tweezers to hold the part when dipping into water!

PAINTING:
ALL PARTS - VALLEJO 70.015

