

T-519604



KENWORTH

CONVENTIONAL

READ THIS BEFORE YOU BEGIN

Look over this instruction sheet carefully before you begin building. Follow the assembly instructions and "test-fit" the parts without cementing. This will familiarize you with the location of the parts.

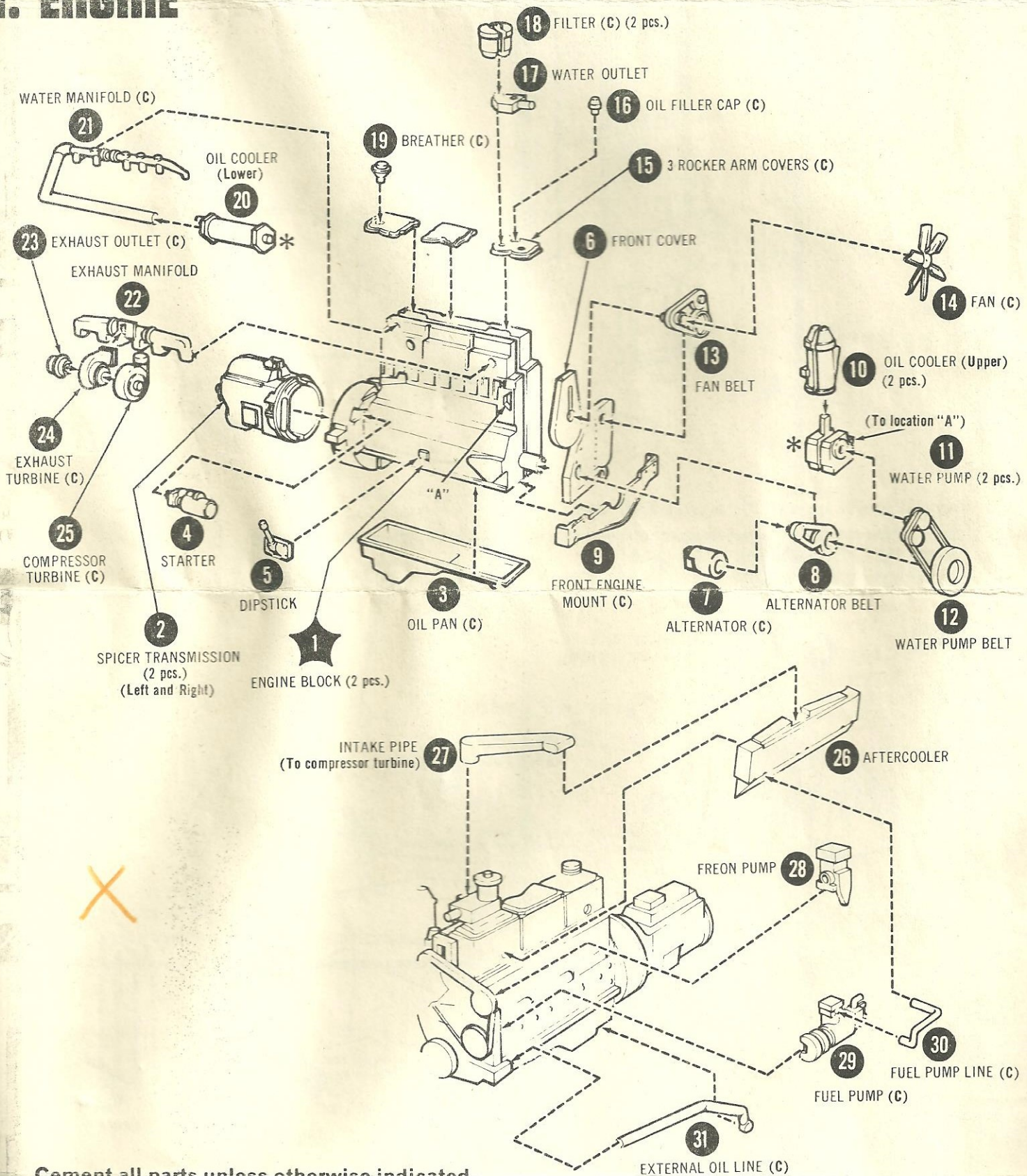
For the best results, the various sub-assemblies and components should be painted before any "chrome" parts are attached. For example: When attaching "non-chrome" body accessories, it is best to cement them in place and paint the body as a unit.

AMT kits are molded from the finest High-Impact Styrene plastic. Use

only paint and cement made for Styrene. Trim excess plastic from parts before joining. When attaching "chrome" parts, scrape plating away where parts are to be joined. Use just enough cement to join parts, and be careful not to smear cement on exposed surfaces.

Built according to the instructions on this sheet, you should have no trouble assembling your kit. Just FOLLOW THE NUMBERS, as parts are numbered in order of assembly. (C) INDICATES "CHROME" PARTS.

I. ENGINE



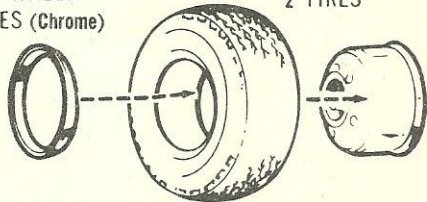
Cement all parts unless otherwise indicated.

2. WHEELS



2 FRONT WHEEL
FLANGES (Chrome)

2 TIRES

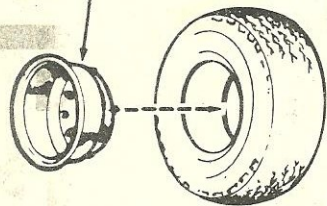


FRONT WHEELS

2 FRONT WHEELS (Chrome)

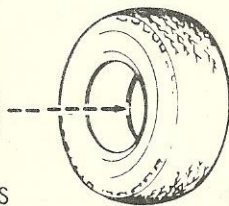
REAR
WHEELS

4 WHEEL OUTERS (Chrome)
(With lug nuts)



8 REAR WHEEL FLANGES
(Chrome)

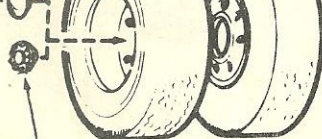
8 TIRES (Chrome)



4 REAR WHEEL
INNERS

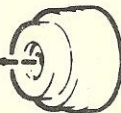
4 OPTIONAL
"BABY MOON"
COVERS (C)

4 SETS OF WHEELS



4 HUB COVERS (Chrome)

4 HUBS



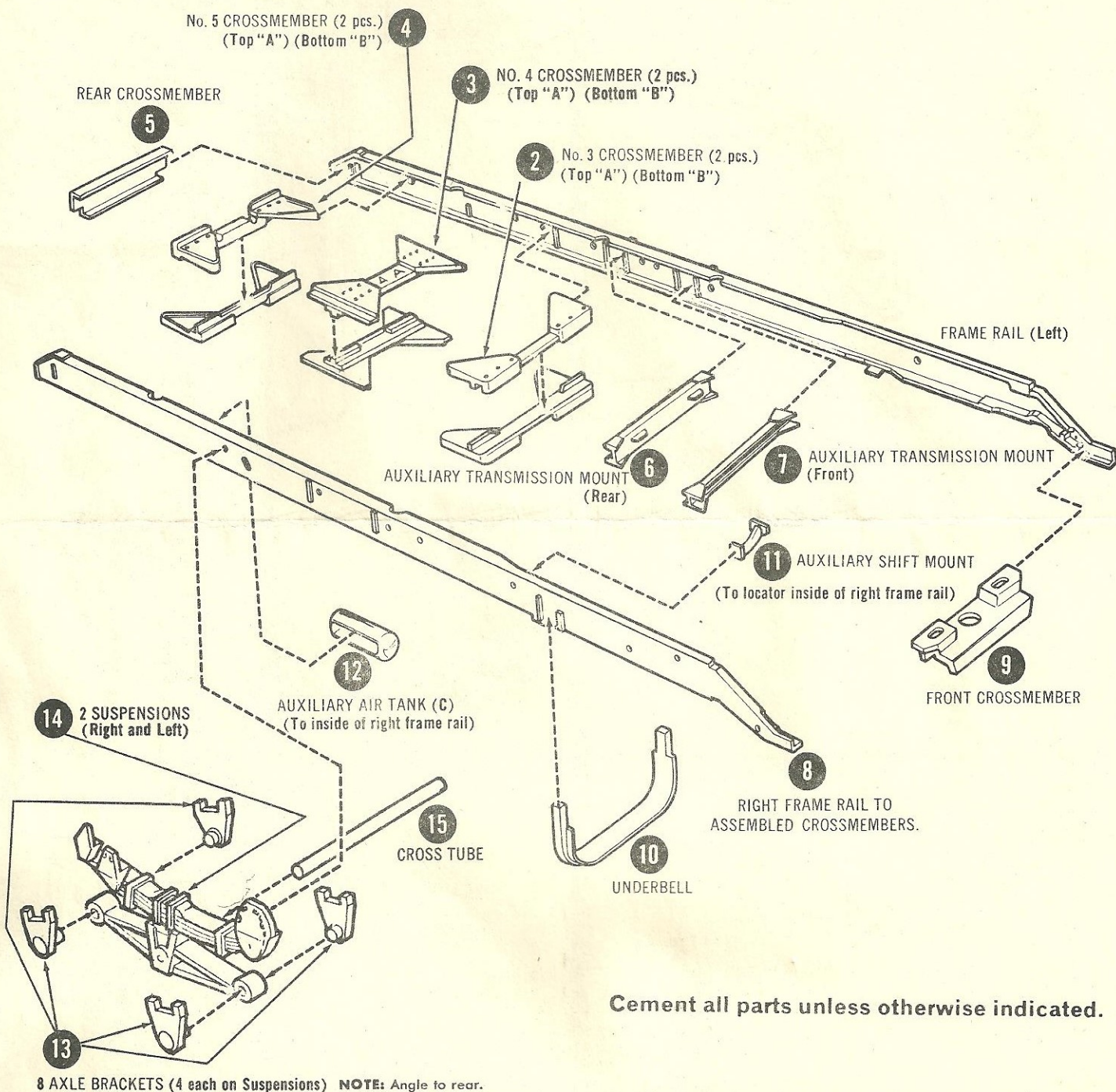
4 REAR
BRAKE
DRUMS

Note: Remove center of tires.

3. BASIC CHASSIS

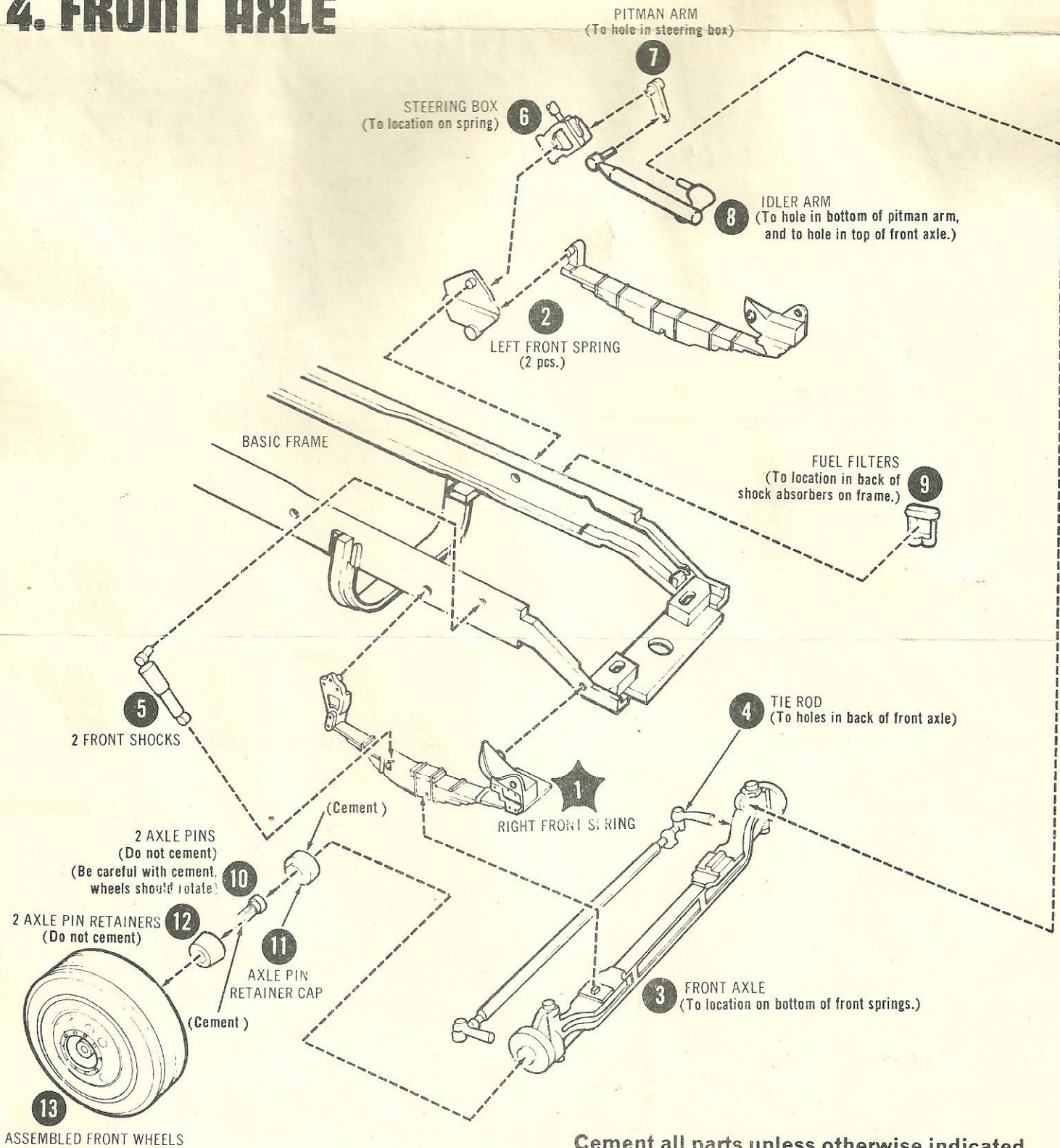


CEMENT ALL CROSSMEMBERS TO LEFT FRAME RAIL.



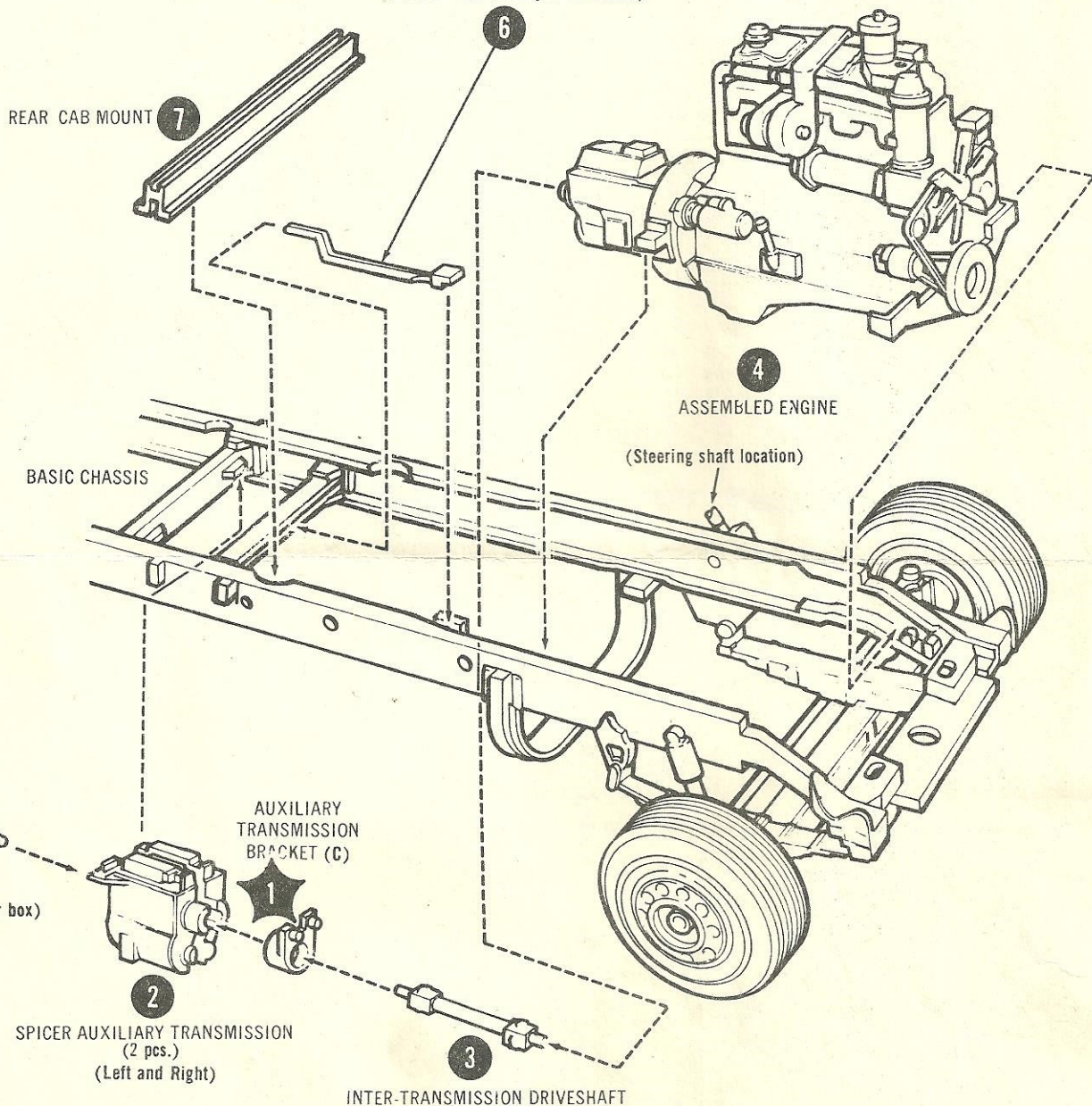
Cement all parts unless otherwise indicated.

4. FRONT AXLE



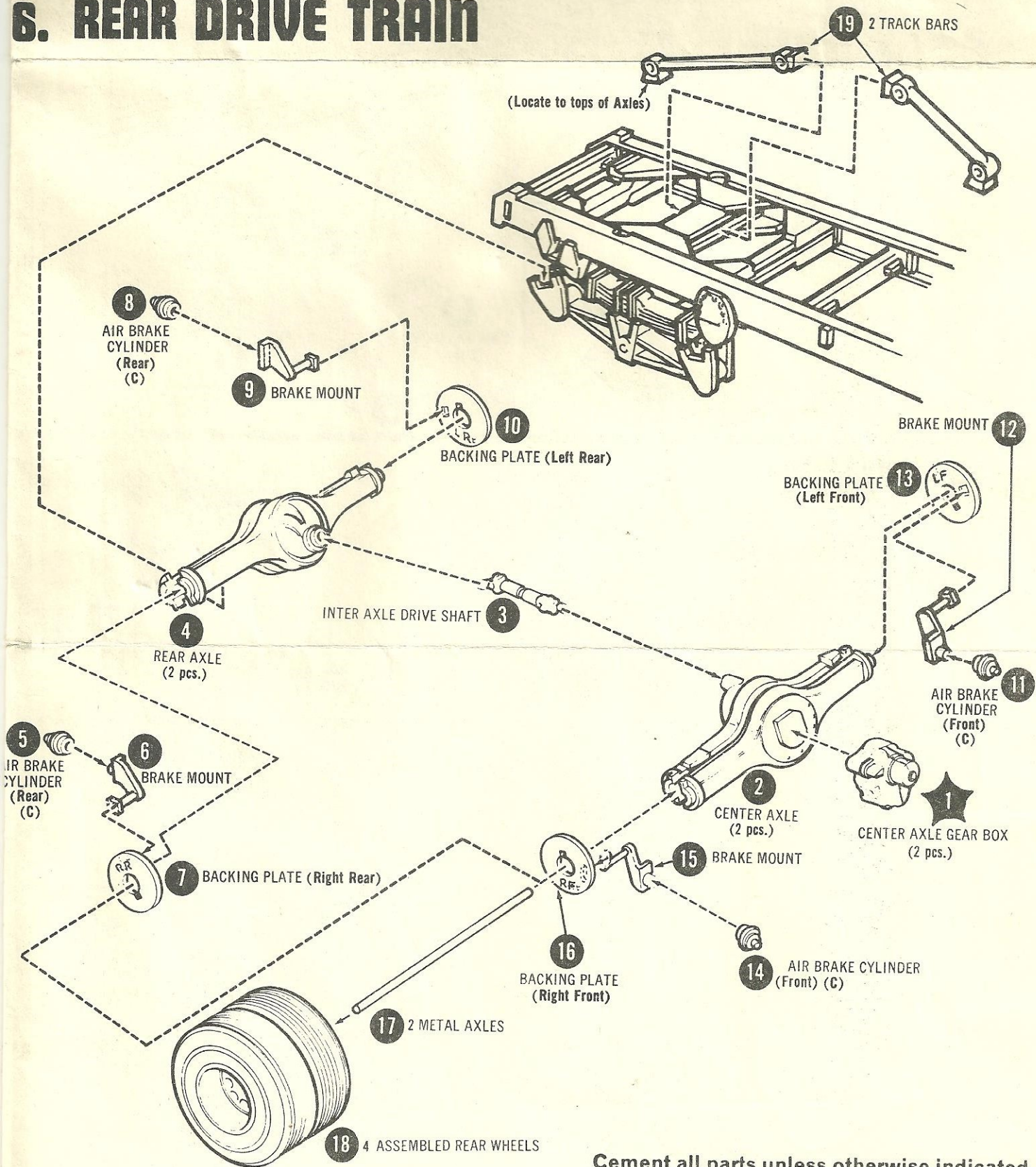
5. ENGINE TO CHASSIS

AUXILIARY SHIFT LINKAGE
(Through hole in auxiliary transmission mount,
to auxiliary transmission,
front end to auxiliary shift mount.)



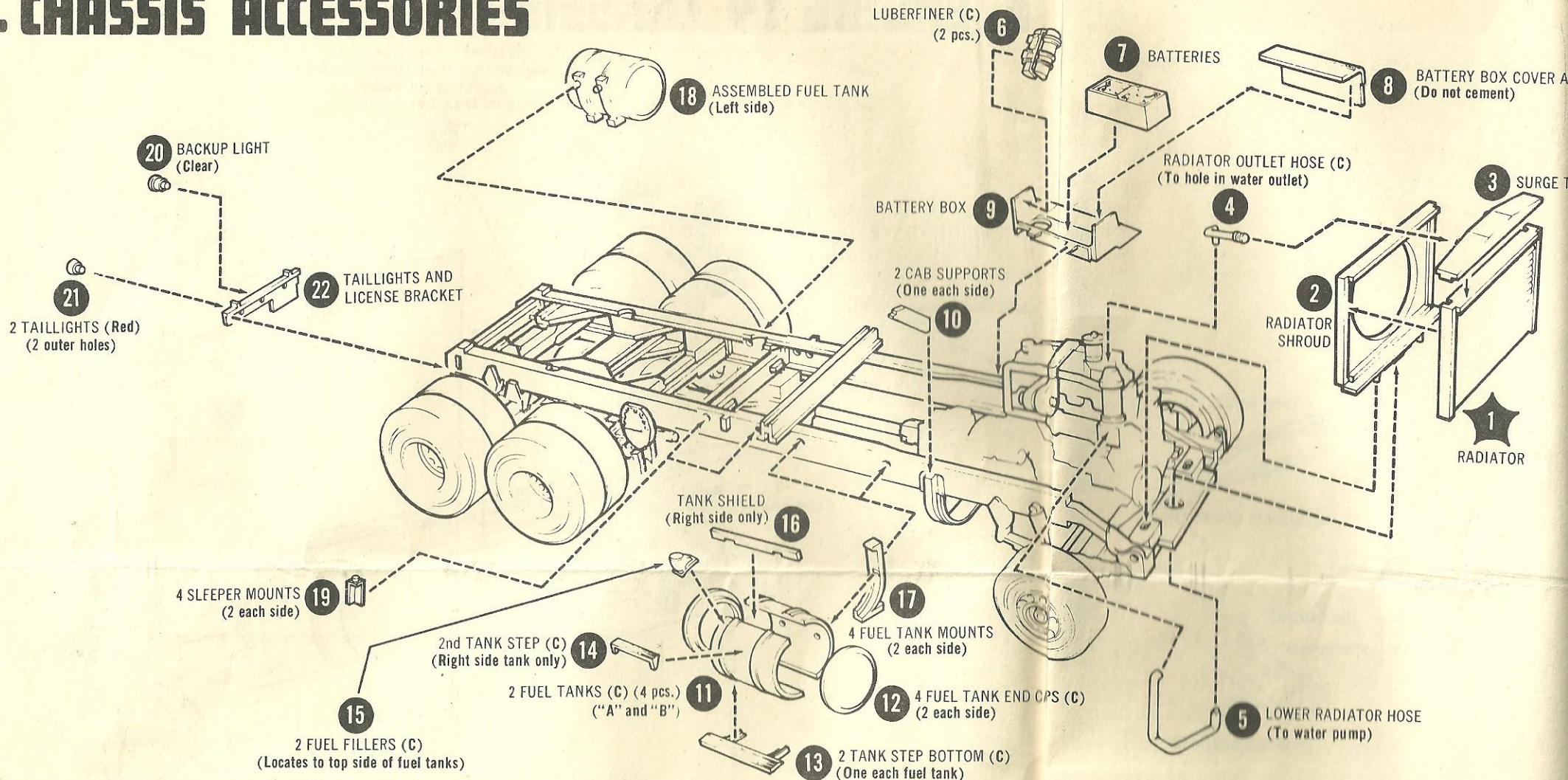
Cement all parts unless otherwise indicated.

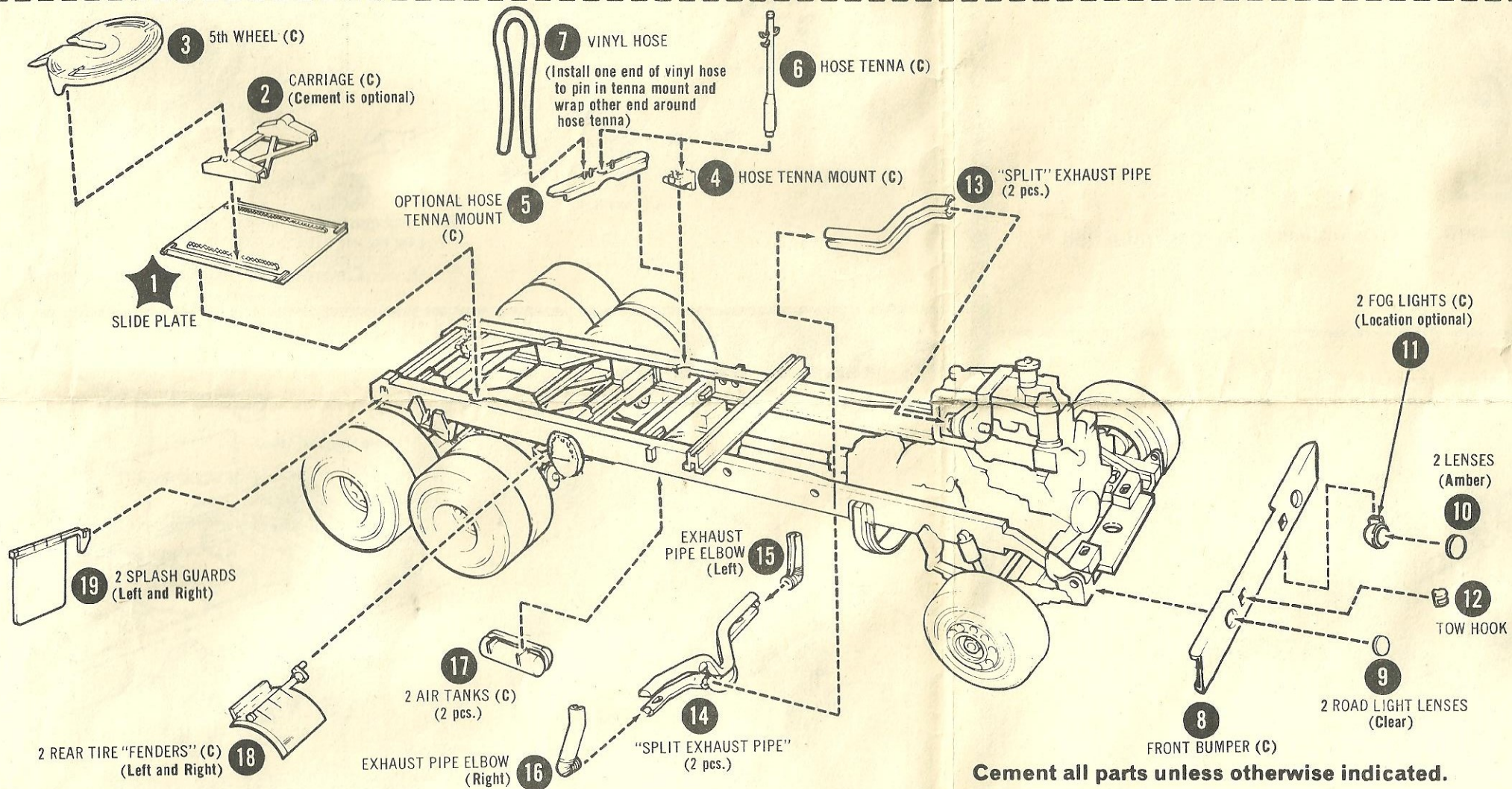
6. REAR DRIVE TRAIN



Cement all parts unless otherwise indicated.

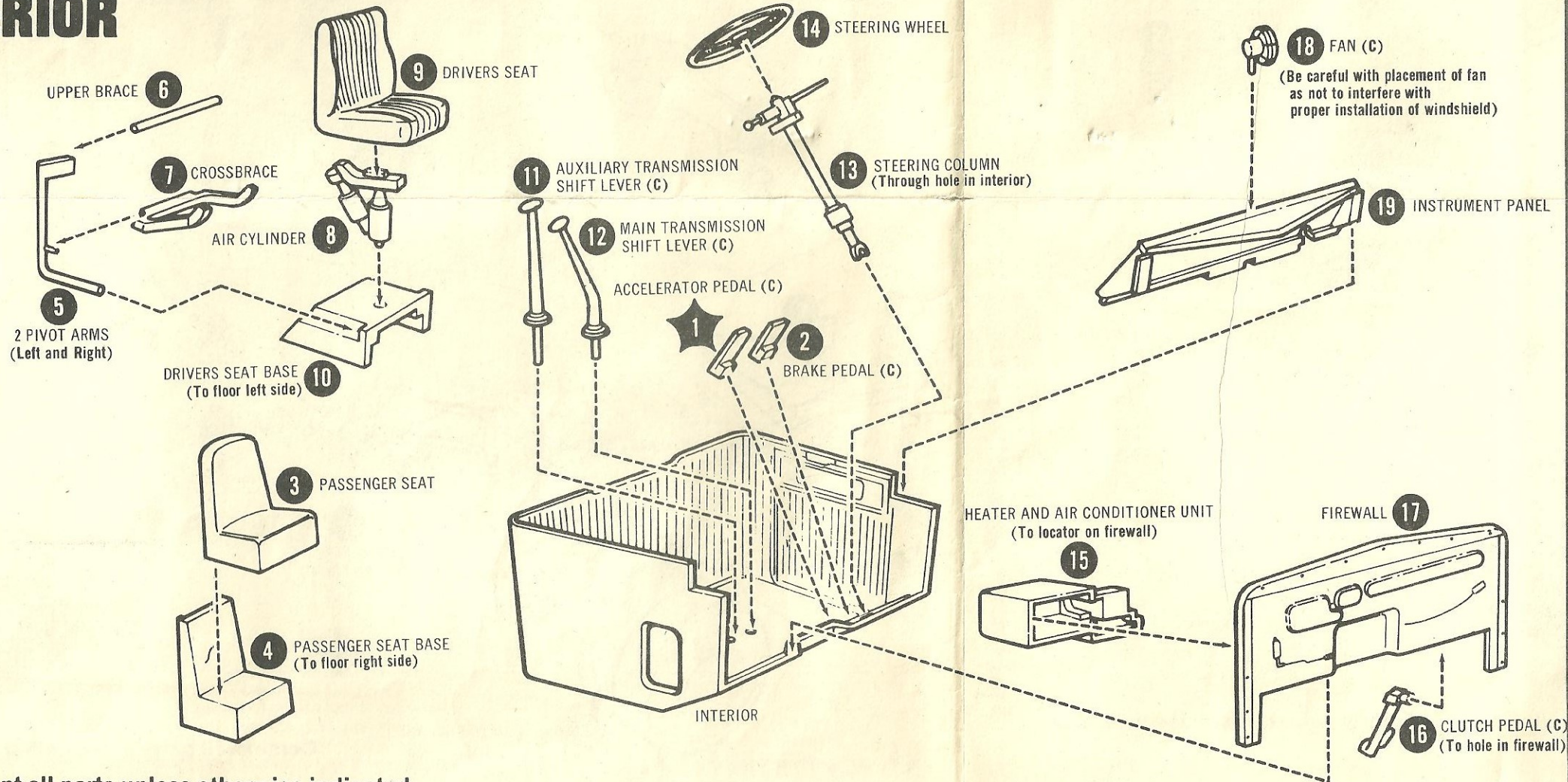
7. CHASSIS ACCESSORIES





Cement all parts unless otherwise indicated.

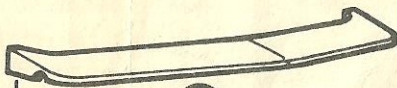
INTERIOR



Cement all parts unless otherwise indicated.

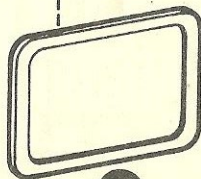
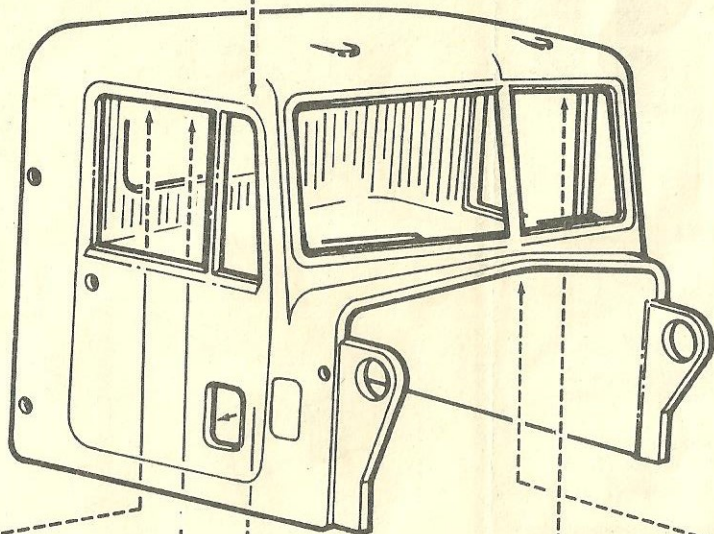
9. WINDOWS INTERIOR TO CAB

NOTE: Large windshield not used in this kit.



5 VISOR

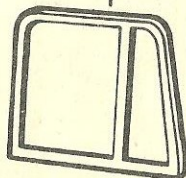
CAB



3

REAR WINDOW (Clear)

NOTE: Cab rear window to be omitted when using sleeper.

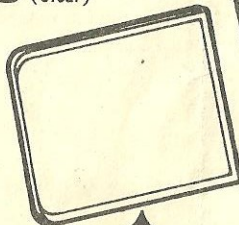


2 SIDE WINDOWS (Clear)
(Left and Right)



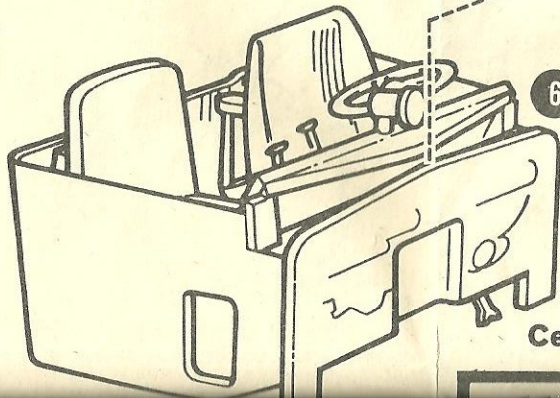
4

DOOR SAFETY WINDOW
(Clear)



1

WINDSHIELD (Clear)
(2 pcs.)



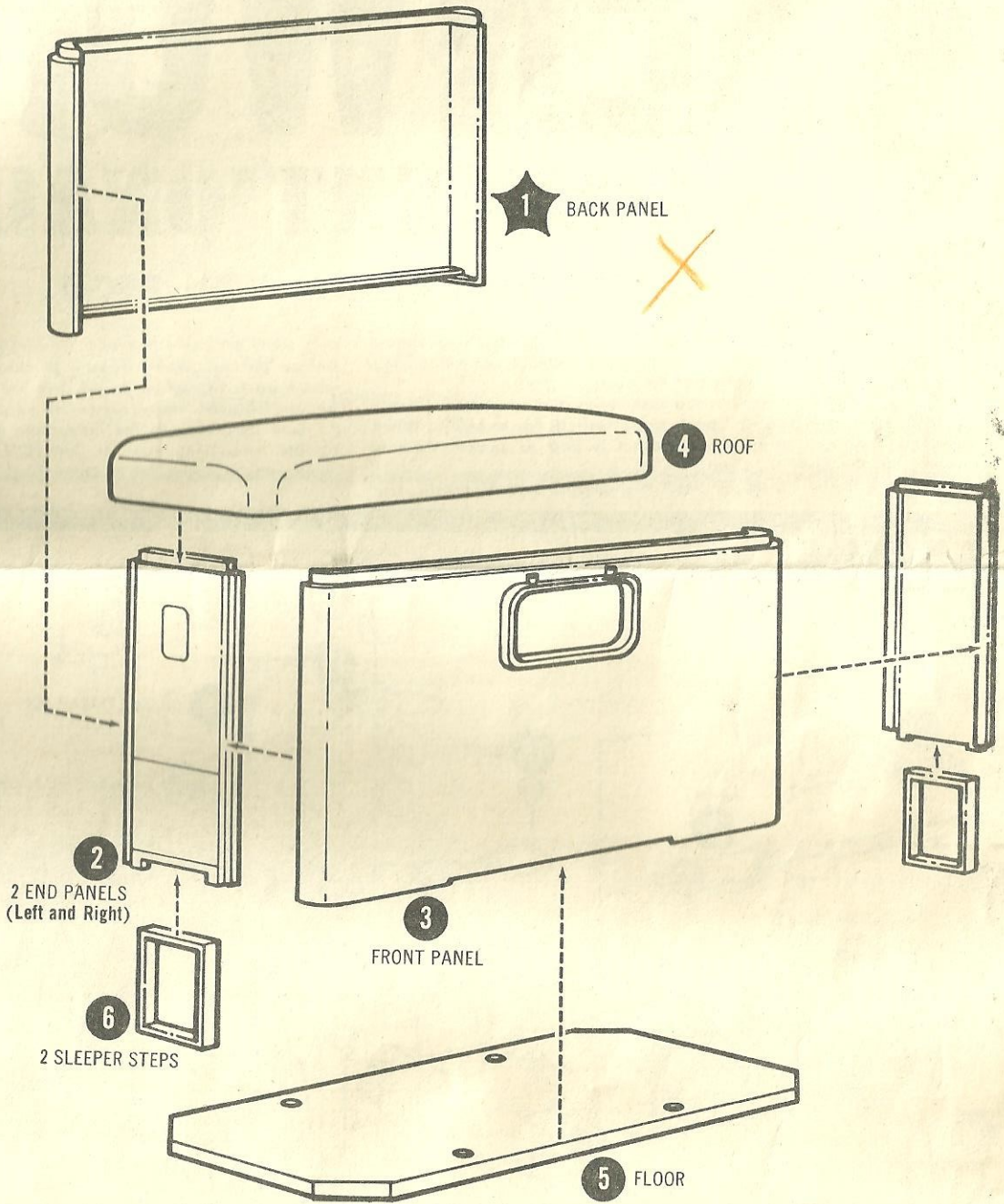
6

ASSEMBLED INTERIOR

Cement all parts unless

10. SLEEPER

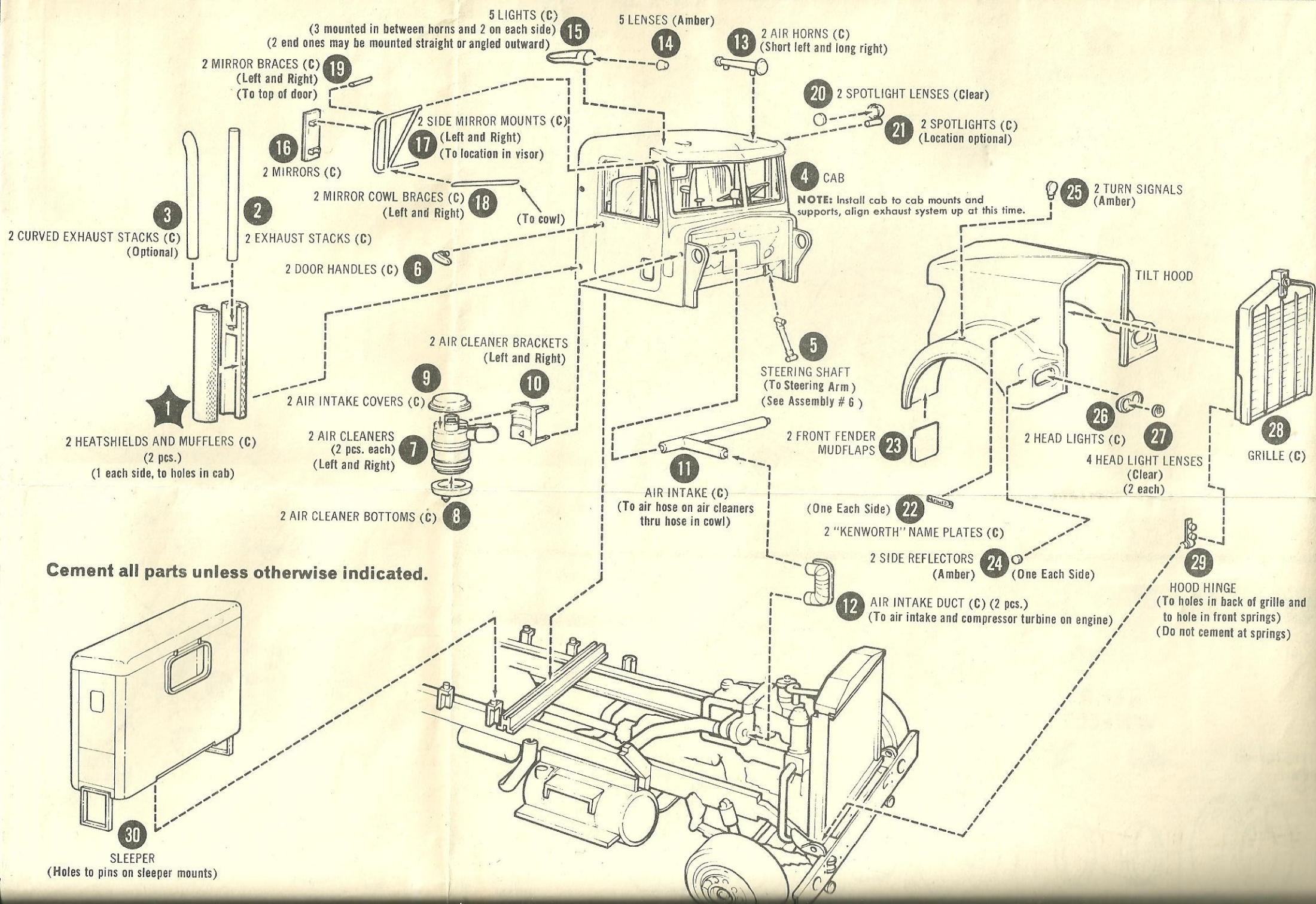
OPTIONAL



less otherwise indicated.

ACCESSORIES

11. CAB ACCESSORIES CAB TO CHASSIS



Cement all parts unless otherwise indicated.