

**Recommended references:**

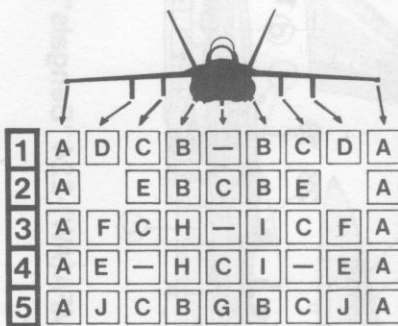
- AIR FAN N° 177 - August 1993
- AIR FORCES MONTHLY - April 1994
- F/A-18 HORNET IN ACTION by Lou Drendel Squadron/Signal Publications
- MARINE MUSCLE: HORNET AND HARRIER by Hans Halberstadt : WINGS N°5 Window & Greene Publishing

Use walkways A\* & B\* and stencils from set Hi-Decal Line N°72-034

1 4 - stencils "N"

2 3 5 - stencils "M"

		Humbrol	Model Master
a	Light Sea Grey FS 36307	141	1726
b	Medium Sea Grey FS 35237	145	1721
c	Ghost Grey FS 36375	127	1728
d	Compass Grey FS 36320	128	1741
e	Radome Tan FS 33613	148	1709
f	White FS 27925	130	1596
g	Exhaust	Metalcote	1406



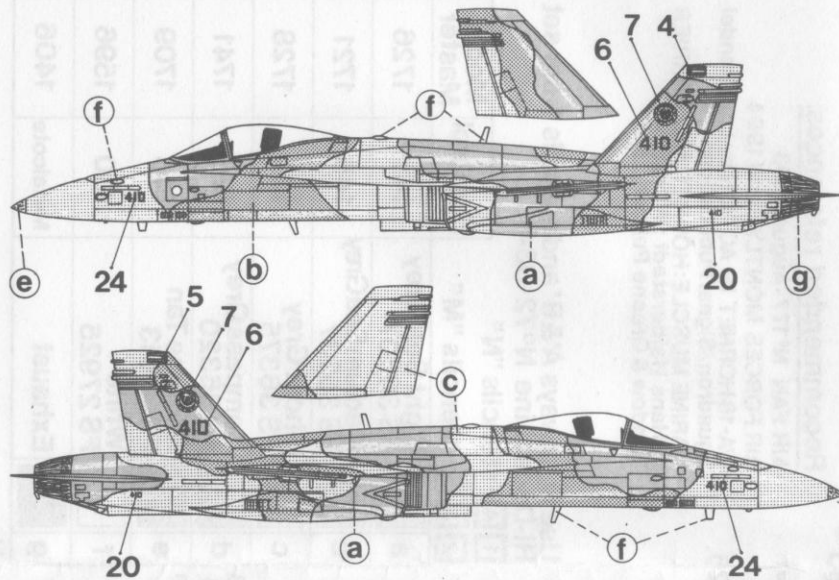
**External Stores:**

- A - AIM-9L
- B - AIM-7E/F
- C - Fuel Tank
- D - AGM-84
- E - AGM-88
- F - LAU-10 on HER
- G - Mk-20 Rockeye
- H - AN/ASQ-173
- I - AN/AAS-83
- J - Mk-83 on HER

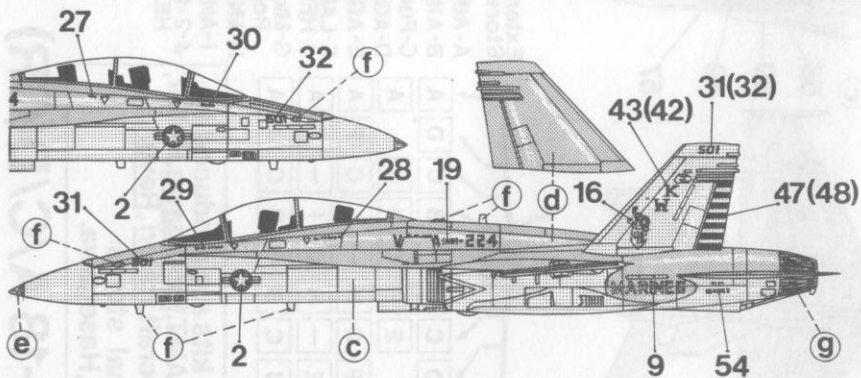
Model kits are produced by:  
Airfix, AMT, Hasegawa, Heller,  
Hobbycraft, Italeri, Revell.  
External stores:  
Italeri, Hasegawa.

**F/A-18 A/C/D(CR)**

72-023

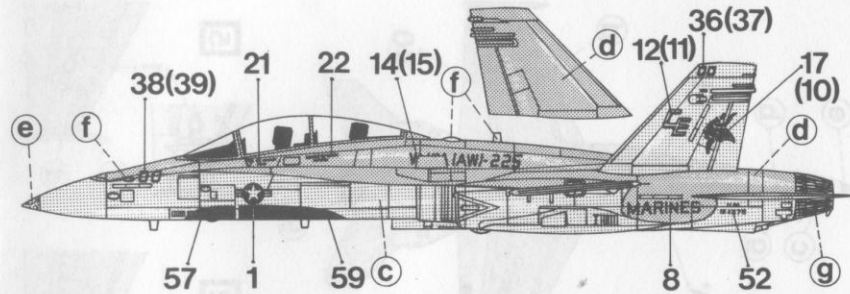


**1** F/A-18 C, 25th Sqn, Kuwaiti Air Force; Kuwait City A.B., 1993.

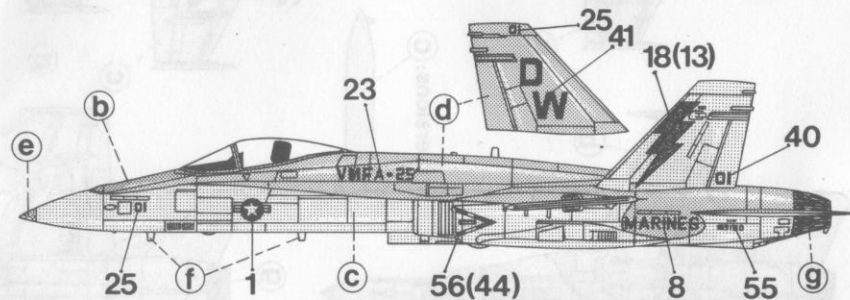


**2** F/A-18D(CR), VMFA(AW)-224 "Bengals", USMC; MCAS Cherry Point, NC, 1994.

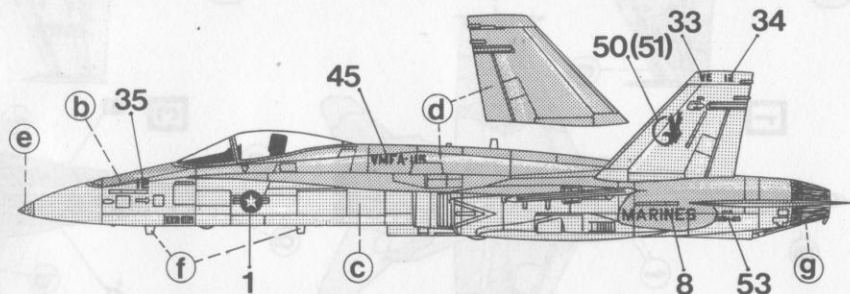
HL 72-023



**3** F/A-18 D(CR), VMFA(AW)-225 "Vikings", USMC; MCAS El Toro, CA, 1993.



**4** F/A-18 A, VMFA-251 "Thunderbolts", USMC; MCAS Beaufort, SC, 1993.



**5** F/A-18 A, VMFA-115 "Silver Eagles", USMC, deployed to Saudi Arabia during Operation Desert Storm; January 1991.

