

1/72 SCALE

# Italian MC.200 Saetta



## EASY ASSEMBLY AUTHENTIC KIT

-   
 cyanoacrylate glue  
 强力胶
-   
 weight  
 配重
-   
 make hole  
 钻孔
-   
 cut / remove  
 切除
-   
 option  
 选择
-   
 no cement  
 不涂胶水
-   
 decal  
 贴纸
-   
 bend  
 弯曲

### The way to apply the decals

- 1 Cut off the decal from the decal paper and put it into the warm water 40°C for 10 seconds.
- 2 Take the decal from the water and put it on a piece of clean cloth.
- 3 Remove the decal slowly from the paper to the targeted location by a wet finger.
- 4 Use a piece of dry and soft cloth to press it gently on the decal until it getting dry and no bubble existing.

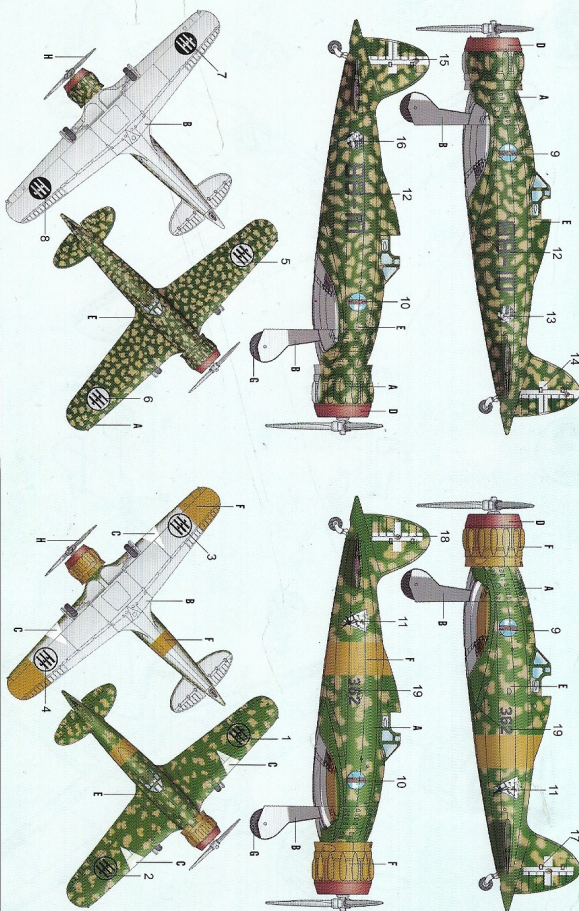
### 水贴纸的使用方法:

- 一、把相关的印花从水贴纸上剪下，放入40℃左右的温水中浸10秒。
- 二、然后将印花放在干净的布上。
- 三、拿上印花模板，手指蘸水将印花移到适当的位置。
- 四、用软干布轻压印花直至水干，气泡消失。

80291

88 Squadriglia, 6 Gruppo C.T., 1 Stormo C.T., 88-10

362 Squadriglia, 22 Gruppo Autonomo, 362.



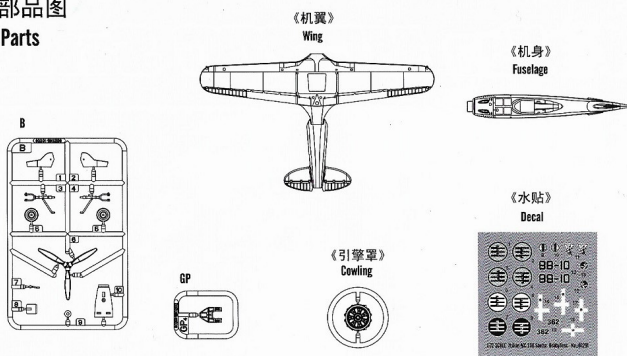
1 使用HOBBY塗料  
 Mr. Color used

2 MR-COLOUR

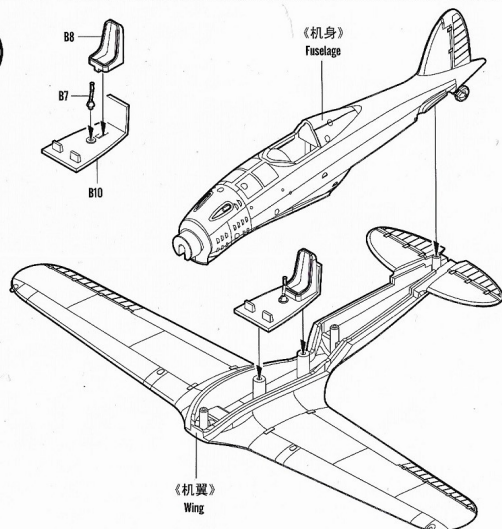
Color	Mr. Color	Mr. Color	Mr. Color	Mr. Color	Mr. Color	Mr. Color	Mr. Color	Mr. Color	Mr. Color	Mr. Color	Mr. Color	Mr. Color	Mr. Color	Mr. Color	Mr. Color	Mr. Color	Mr. Color	Mr. Color
1	MR-001	MR-001	MR-001	MR-001	MR-001	MR-001	MR-001	MR-001	MR-001	MR-001	MR-001	MR-001	MR-001	MR-001	MR-001	MR-001	MR-001	MR-001
2	MR-002	MR-002	MR-002	MR-002	MR-002	MR-002	MR-002	MR-002	MR-002	MR-002	MR-002	MR-002	MR-002	MR-002	MR-002	MR-002	MR-002	MR-002
3	MR-003	MR-003	MR-003	MR-003	MR-003	MR-003	MR-003	MR-003	MR-003	MR-003	MR-003	MR-003	MR-003	MR-003	MR-003	MR-003	MR-003	MR-003
4	MR-004	MR-004	MR-004	MR-004	MR-004	MR-004	MR-004	MR-004	MR-004	MR-004	MR-004	MR-004	MR-004	MR-004	MR-004	MR-004	MR-004	MR-004
5	MR-005	MR-005	MR-005	MR-005	MR-005	MR-005	MR-005	MR-005	MR-005	MR-005	MR-005	MR-005	MR-005	MR-005	MR-005	MR-005	MR-005	MR-005
6	MR-006	MR-006	MR-006	MR-006	MR-006	MR-006	MR-006	MR-006	MR-006	MR-006	MR-006	MR-006	MR-006	MR-006	MR-006	MR-006	MR-006	MR-006
7	MR-007	MR-007	MR-007	MR-007	MR-007	MR-007	MR-007	MR-007	MR-007	MR-007	MR-007	MR-007	MR-007	MR-007	MR-007	MR-007	MR-007	MR-007
8	MR-008	MR-008	MR-008	MR-008	MR-008	MR-008	MR-008	MR-008	MR-008	MR-008	MR-008	MR-008	MR-008	MR-008	MR-008	MR-008	MR-008	MR-008
9	MR-009	MR-009	MR-009	MR-009	MR-009	MR-009	MR-009	MR-009	MR-009	MR-009	MR-009	MR-009	MR-009	MR-009	MR-009	MR-009	MR-009	MR-009
10	MR-010	MR-010	MR-010	MR-010	MR-010	MR-010	MR-010	MR-010	MR-010	MR-010	MR-010	MR-010	MR-010	MR-010	MR-010	MR-010	MR-010	MR-010
11	MR-011	MR-011	MR-011	MR-011	MR-011	MR-011	MR-011	MR-011	MR-011	MR-011	MR-011	MR-011	MR-011	MR-011	MR-011	MR-011	MR-011	MR-011
12	MR-012	MR-012	MR-012	MR-012	MR-012	MR-012	MR-012	MR-012	MR-012	MR-012	MR-012	MR-012	MR-012	MR-012	MR-012	MR-012	MR-012	MR-012
13	MR-013	MR-013	MR-013	MR-013	MR-013	MR-013	MR-013	MR-013	MR-013	MR-013	MR-013	MR-013	MR-013	MR-013	MR-013	MR-013	MR-013	MR-013
14	MR-014	MR-014	MR-014	MR-014	MR-014	MR-014	MR-014	MR-014	MR-014	MR-014	MR-014	MR-014	MR-014	MR-014	MR-014	MR-014	MR-014	MR-014
15	MR-015	MR-015	MR-015	MR-015	MR-015	MR-015	MR-015	MR-015	MR-015	MR-015	MR-015	MR-015	MR-015	MR-015	MR-015	MR-015	MR-015	MR-015
16	MR-016	MR-016	MR-016	MR-016	MR-016	MR-016	MR-016	MR-016	MR-016	MR-016	MR-016	MR-016	MR-016	MR-016	MR-016	MR-016	MR-016	MR-016
17	MR-017	MR-017	MR-017	MR-017	MR-017	MR-017	MR-017	MR-017	MR-017	MR-017	MR-017	MR-017	MR-017	MR-017	MR-017	MR-017	MR-017	MR-017
18	MR-018	MR-018	MR-018	MR-018	MR-018	MR-018	MR-018	MR-018	MR-018	MR-018	MR-018	MR-018	MR-018	MR-018	MR-018	MR-018	MR-018	MR-018
19	MR-019	MR-019	MR-019	MR-019	MR-019	MR-019	MR-019	MR-019	MR-019	MR-019	MR-019	MR-019	MR-019	MR-019	MR-019	MR-019	MR-019	MR-019

\*Some paints may not be available in your country. Please check your local hobby shop for substitute.

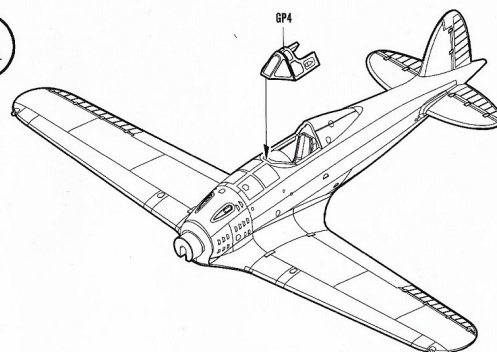
## 部品图 Parts



### 1 STEP



### 2 STEP



《左侧主起落架》  
Left main undercarriage

《右侧主起落架》  
Right main undercarriage

### 3 STEP

