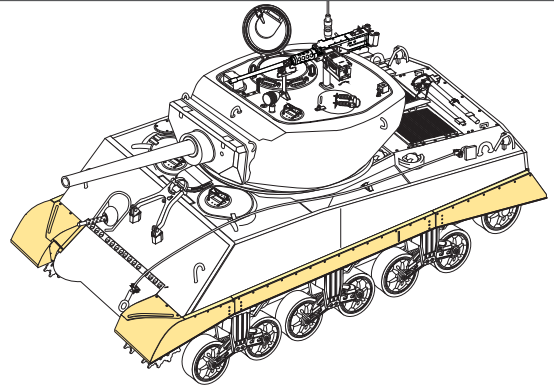


1/35 MILITARY MINIATURE VEHICLE UPGRADE SERIES PE351047

WWII US M4A3E2 JUMBO Track Covers

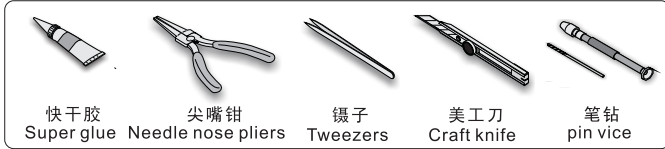
二战美国M4A3E2 巨无霸中型坦克底盘翼子板/侧裙

[For TS-045]



Technical assistance provided by Mr.ZHONG MINGZHOU

推荐使用工具 RECOMMENDED TOOLS



快干胶
Super glue

尖嘴钳
Needle nose pliers

镊子
Tweezers

美工刀
Craft knife

笔钻
pin vice

↑
安装
install

↩
折叠
bend

A1
改造件零件编号
PE/resin part number

B12
原零件编号
kit part number

C22
被替换的原零件编号
replaced kit part number

↔
另一侧相同制作
repeat on opposite side

✂
切除
remove

🔪
打磨
grind off

📏
弧度卷曲
radial bending

✖
制作若干组
multiple assembly

↔
选择安装
alternative

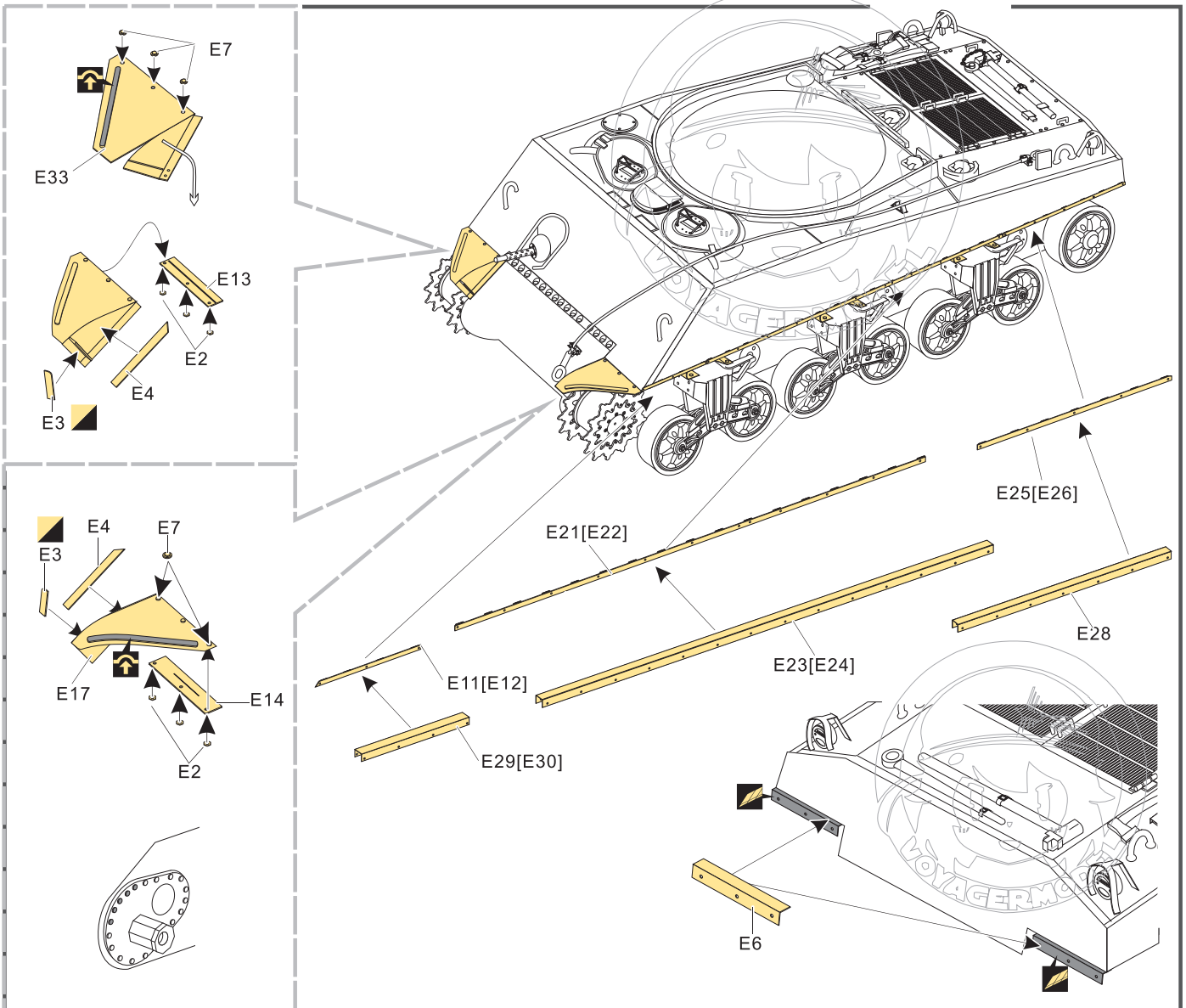
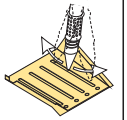
🔧
钻孔
drill

⚠
注意
caution

↓
用尖端在凹槽处冲压
use penpoint to press on the dent

📄
蚀刻片零件内朝面向上
Put the part upside down

📄
用笔尖在凹槽处刺
Use penpoint to press on the dent



1/35 MILITARY MINIATURE VEHICLE UPGRADE SERIES PE351047

VOYAGERMODEL® 无缝不歪 极致享受
The Best Upgrade Solution

Recommended item

| | |
|-----------|---|
| PE 351004 | WWII US M4A3E8 HVSS Basic |
| PE 351010 | WWII US M10 IIC Achilles tank destroyer Basic |
| PE 35856 | WWII US M10 tank destroyer Basic (Gun barrel . Atenna base include) |
| PE 35139 | WWII US M4A2 /Sherman Mk-III |
| PE 35810 | WWII US M4A3E8 Sherman"Easy Eight"Basic |
| PE 35148 | WWII UK Sherman VC Firefly |
| PE 35182 | Modern IDF M51 Sherman |
| PE 35446 | Israeli M1 Super Sherman Tank basic |
| PE 35485 | Modern IDF M51 Sherman |
| PE 35709 | WWII US M4A3E8 Sherman"Easy Eight"Basic |
| PE 351026 | Modern US Army HUMVEE carried Mk19 |
| VBS0215 | Modern US Stryker family Duke IED JAMMERS |
| PEA 441 | HUMVEE/DUMVEE Super Swaper wheels w/spare wheel |

[Http://www.voyagermodel.com/productdetails.asp?itemid=PE351047](http://www.voyagermodel.com/productdetails.asp?itemid=PE351047)



**VOYAGER
MODEL**



更多PE351047样品照片参考请扫一扫
MORE PICTUER OF PE 351047
REFERENCE SCAN HERE

