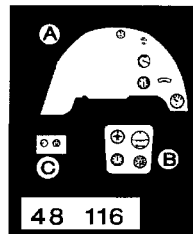
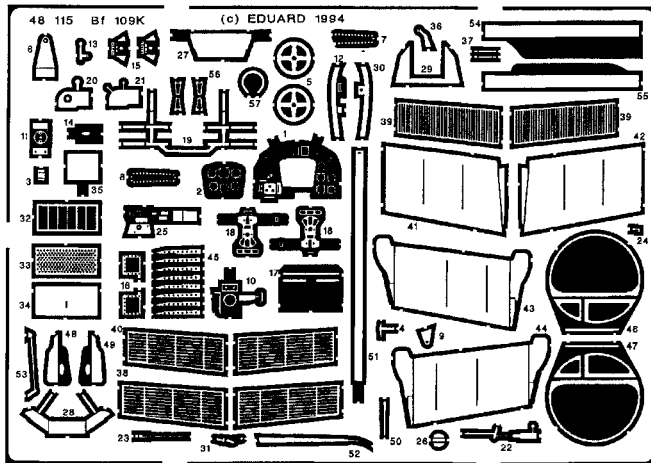




Messerschmitt Bf-109 K

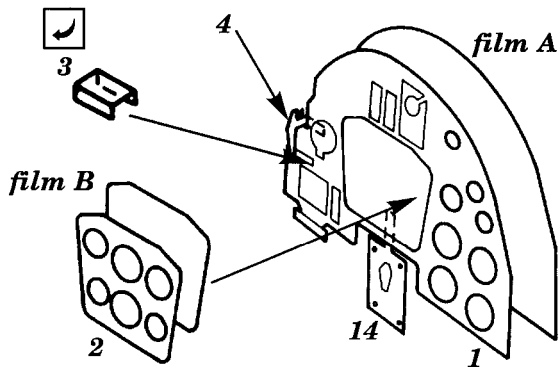
1/48th scale detail set for FUJIMI kit

48 115

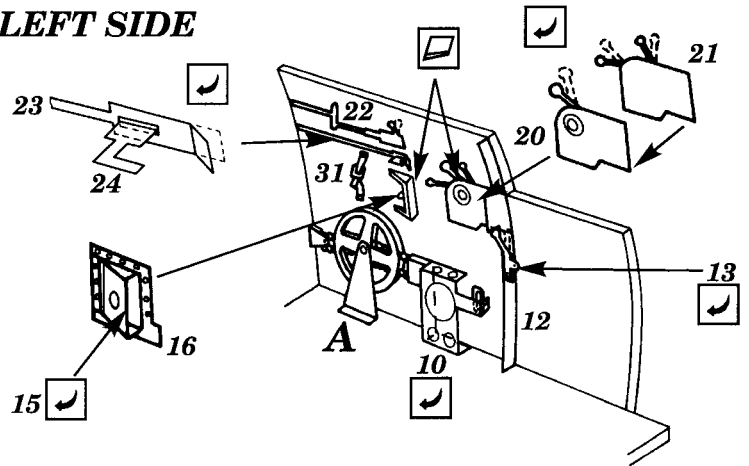


- OPPOSITE SIDE
- REMOVE
- BEND

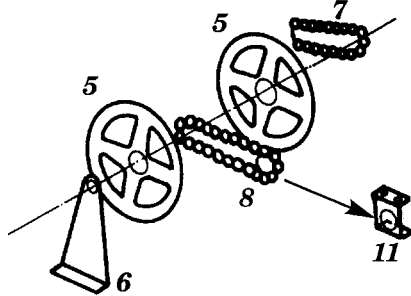
INSTRUMENT PANEL



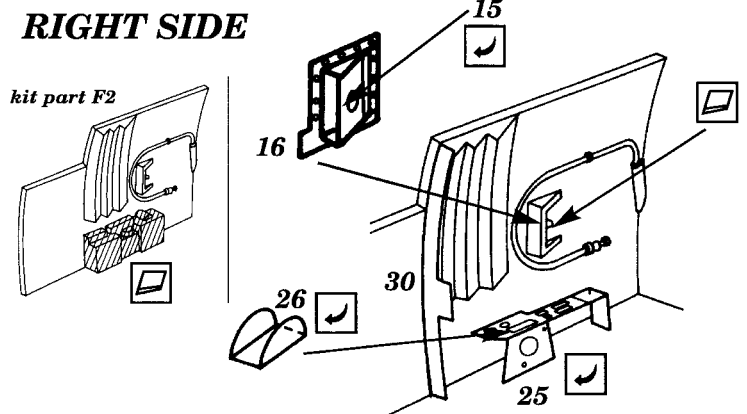
LEFT SIDE



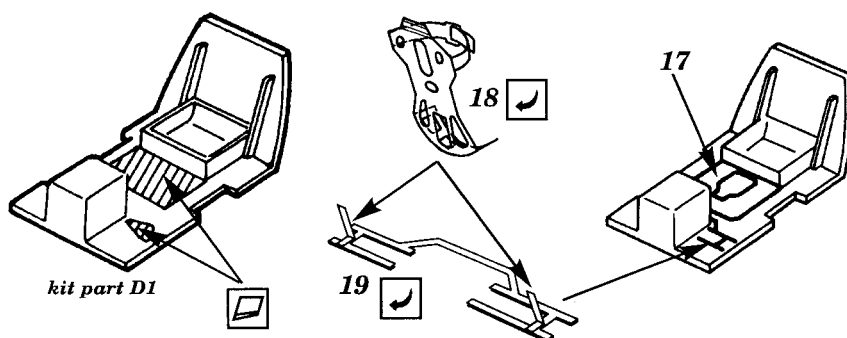
A FLAP CONTROL MECHANISM



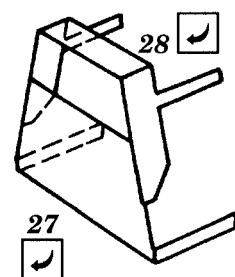
RIGHT SIDE



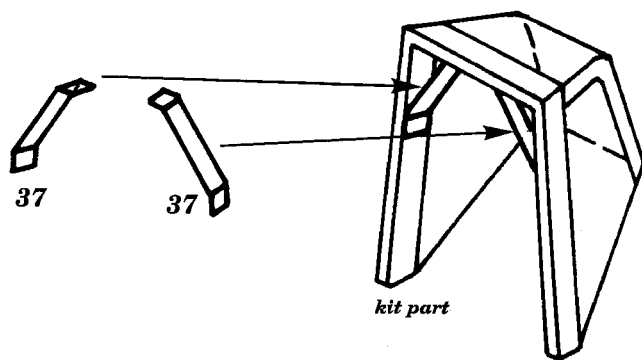
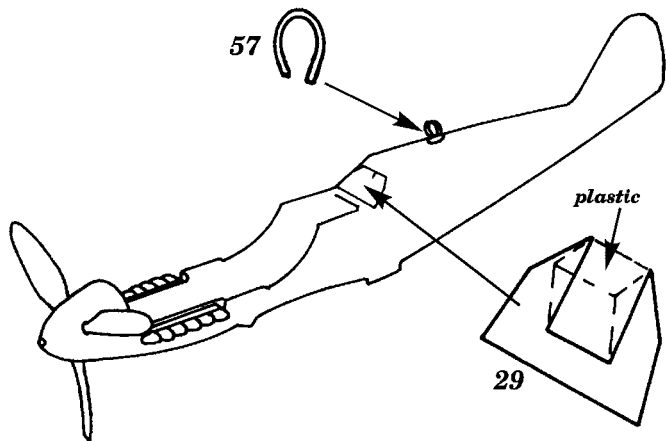
FLOOR, RUDDER PEDALS



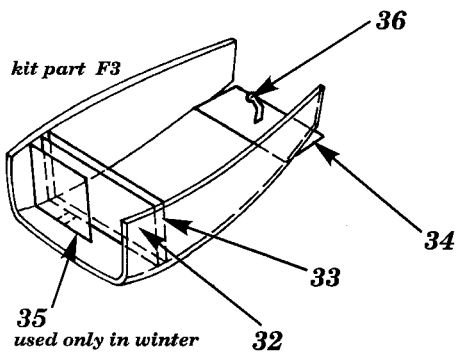
ARMOURED HEADREST



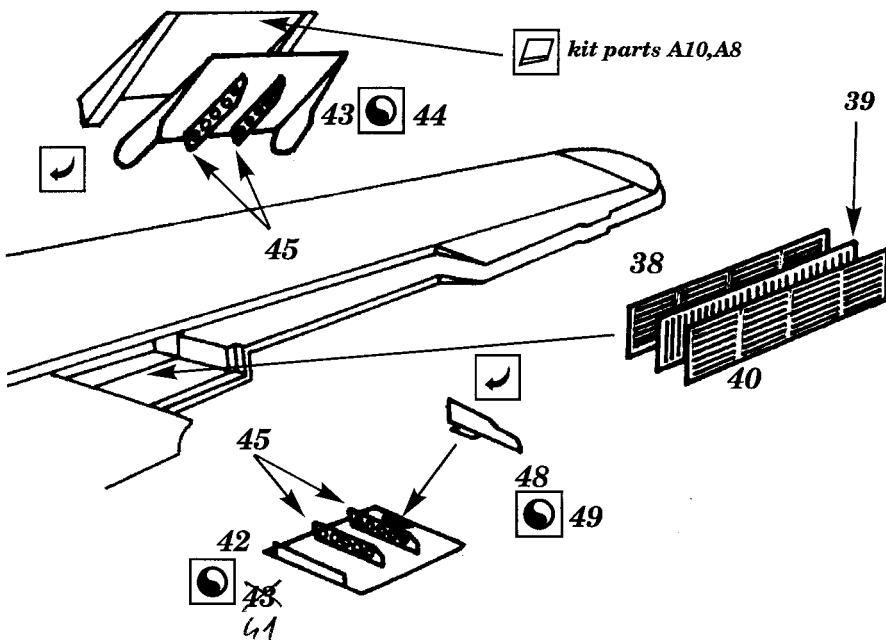
COCKPIT HOLDERS



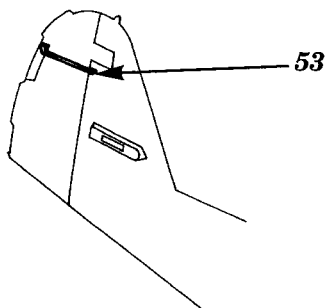
OIL COOLER



WING RADIATORS



FIN TRIM



B DROP TANK BELLY

