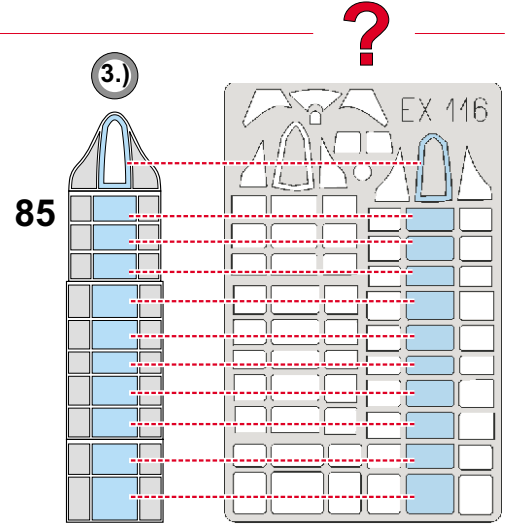
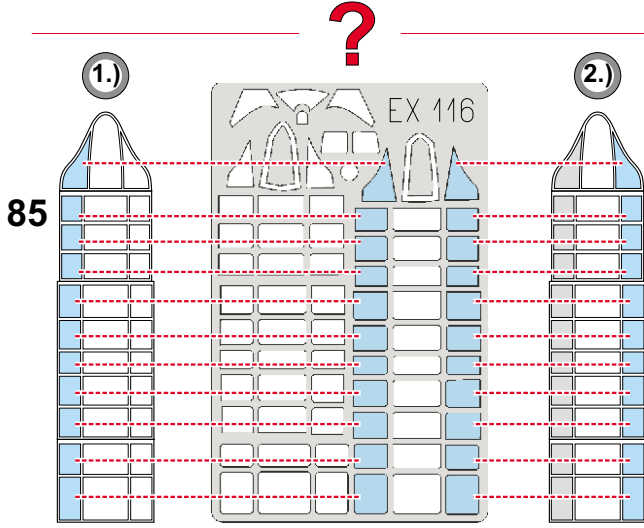
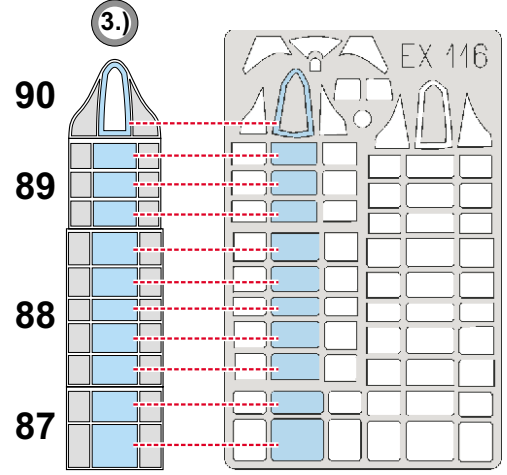
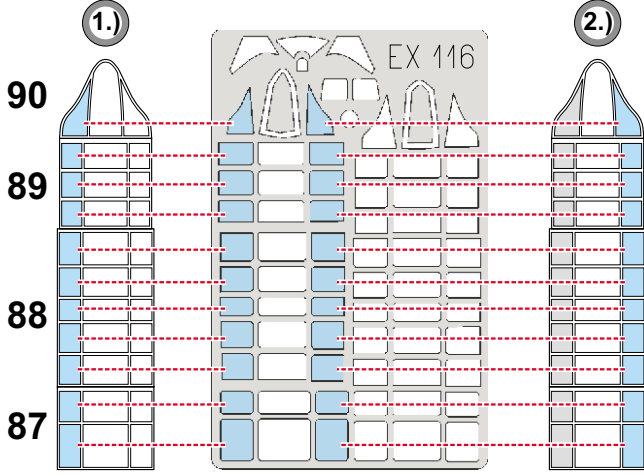
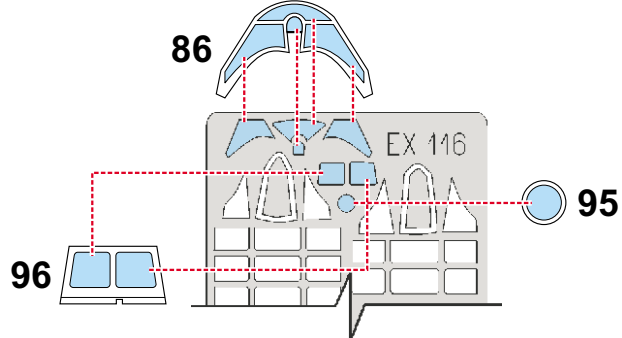
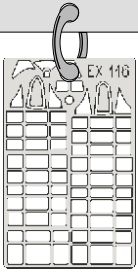


eduard
MASK

SB2U Vindicator 1/48

The die-cut mask for accurate canopy frame painting of the
Accurate Miniatures scale 1/48 KIT

EX 116



4.)



INTERIOR COLOR

5.)

CAMOUFLAGE COLOR

6.)

REMOVE MASK

LIQUID MASK

