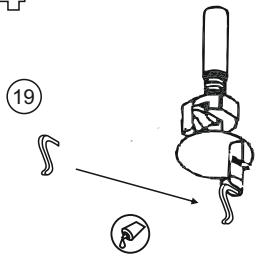
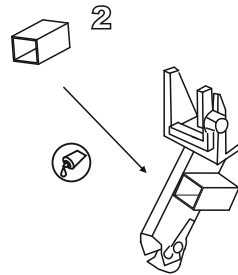


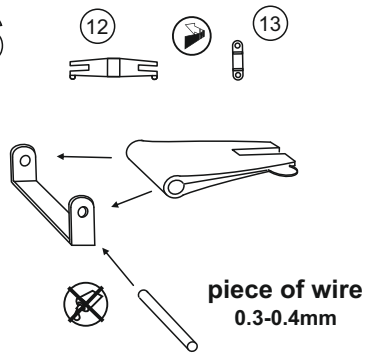
14



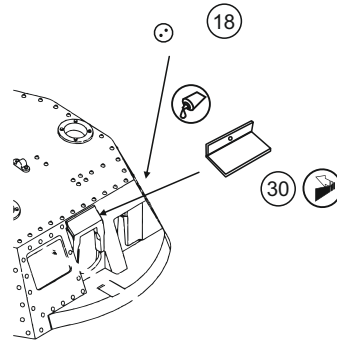
15



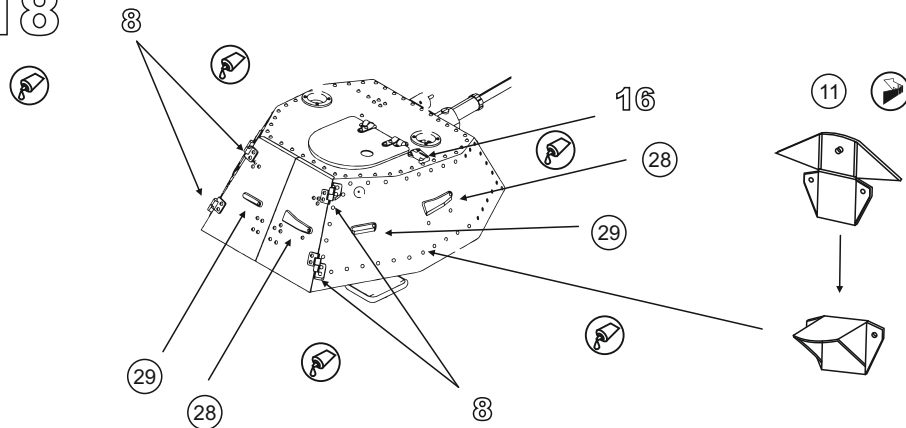
16



17

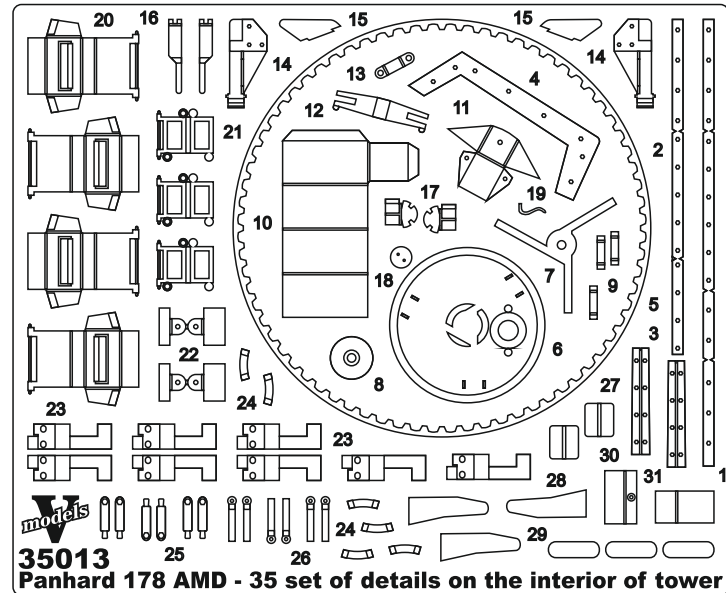








18



Panhard 178 AMD - 35 set of details on the interior of tower
 ("ICM" model kit)
35013
1/35

Photoetched parts



-  Bend
-  Glue
-  Symetrical assembly
-  Remove
-  Do not glue
-  Use the abrasive

<http://vmodels-art.com/>
 vmodels2015@gmail.com
 +38 066 05 08 131

