

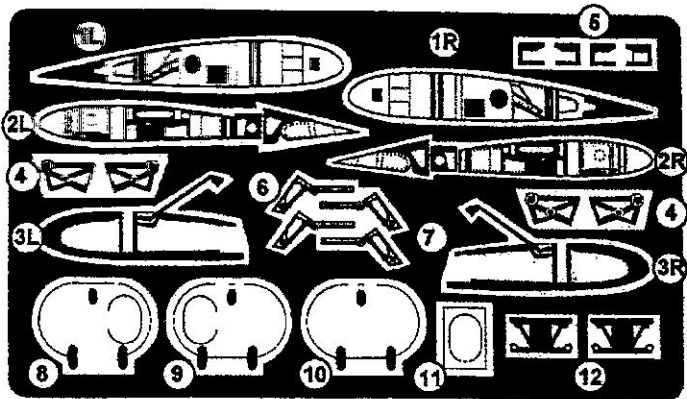
# AIRWAVES

Douglas AD - 4 Skyraider  
Wing Fold Set

FOR EXPERIENCED  
MODELLERS

This Detail set is manufactured from photo - etched brass sheet and is for the Hasegawa 1/72 scale model kit.  
Etched brass should be thoroughly cleaned by gently wiping with a solvent such as White Spirit and primed for painting.  
To separate parts, support fret on a firm surface (i.e. a small sheet of glass or a plain ceramic tile) and cut as near to the part as possible using a sharp blade.  
To fold part use Airwaves Folding Tool AM022 for a good and even fold.  
For fixing parts, use Cyanoacrylate Adhesive (Superglue) or Epoxy resin.

H.G.Hannant Ltd, Harbour Road, Oulton Broad, Lowestoft,  
Suffolk, NR32 3LZ, Tel 01502 517444, Fax 01502 500511

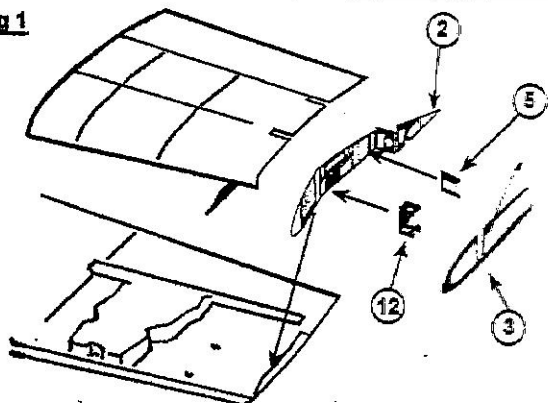


**General Notes**

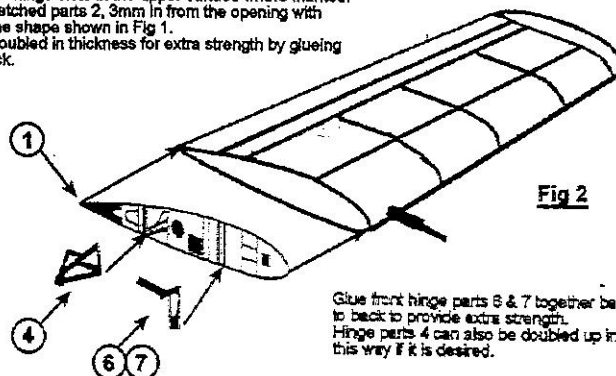
1. The general colour scheme suggested for the interior of the wing fold joints was usually the same as the exterior underside scheme, with optional metal pipework and black rubber.
2. Two sets of hinges (left and right) have been included in this set as that convenient to the AD-4R and AD-4Q can be installed.
3. These etched plates may be either used as templates for engraving or filed directly onto the convex surface of the aircraft. Refer to Figures 5 and 6 for location details.

**WING FOLD JOINT FRAME ASSEMBLY**

**Fig 1**



Divide each wing along the engraved fold line on the upper and lower surfaces. Cut out the hinge slots in the upper surface where marked. Fit the inner plates, etched parts 2, 3mm from the opening with the plate folded to the shape shown in Fig 1. Brackets 5 can be doubled in thickness for extra strength by gluing together back to back.



**Fig 2**

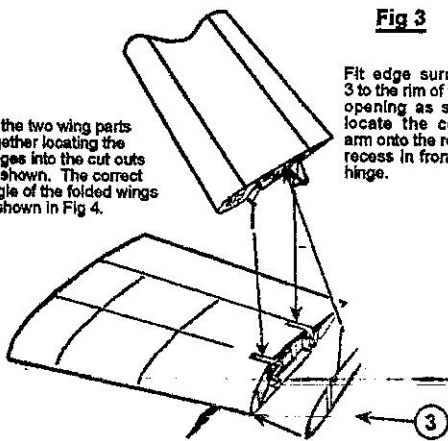
Glue front hinge parts 6 & 7 together back to back to provide extra strength. Hinge parts 4 can also be doubled up in this way if it is desired.

**WING FOLD ATTACHMENT**

**Fig 3**

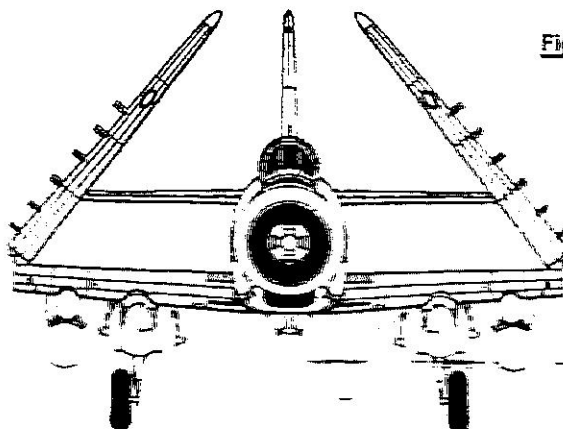
Fit the two wing parts together locating the hinges into the cut outs as shown. The correct angle of the folded wings is shown in Fig 4.

Fit edge surround part 3 to the rim of the opening as shown and locate the control rod arm onto the relief etched recess in front of the aft hinge.



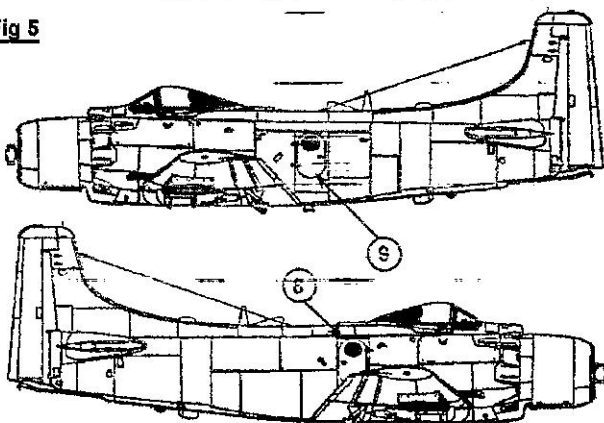
**FOLDED WING POSITION**

**Fig 4**



**CABIN DOOR POSITION AD-4N**

**Fig 5**



**CABIN DOOR POSITION AD-4Q**

**Fig 6**

