

MILITARY MINIATURES SERIES

T-55A POLISH PROD.

37090



GENERAL INSTRUCTION

SCALE
1:35

- HIGHLY DETAILED MODEL



- WORKABLE TORSION BARS
- INDIVIDUAL TRACK LINKS INCLUDED
- PHOTO-ETCHED PARTS INCLUDED
- CLEAR PARTS INCLUDED
- ALL HATCHES CAN BE
POSED OPEN & CLOSED
- DECAL SHEET FOR 6 MARKING OPTIONS



T-55A

POLISH PROD.

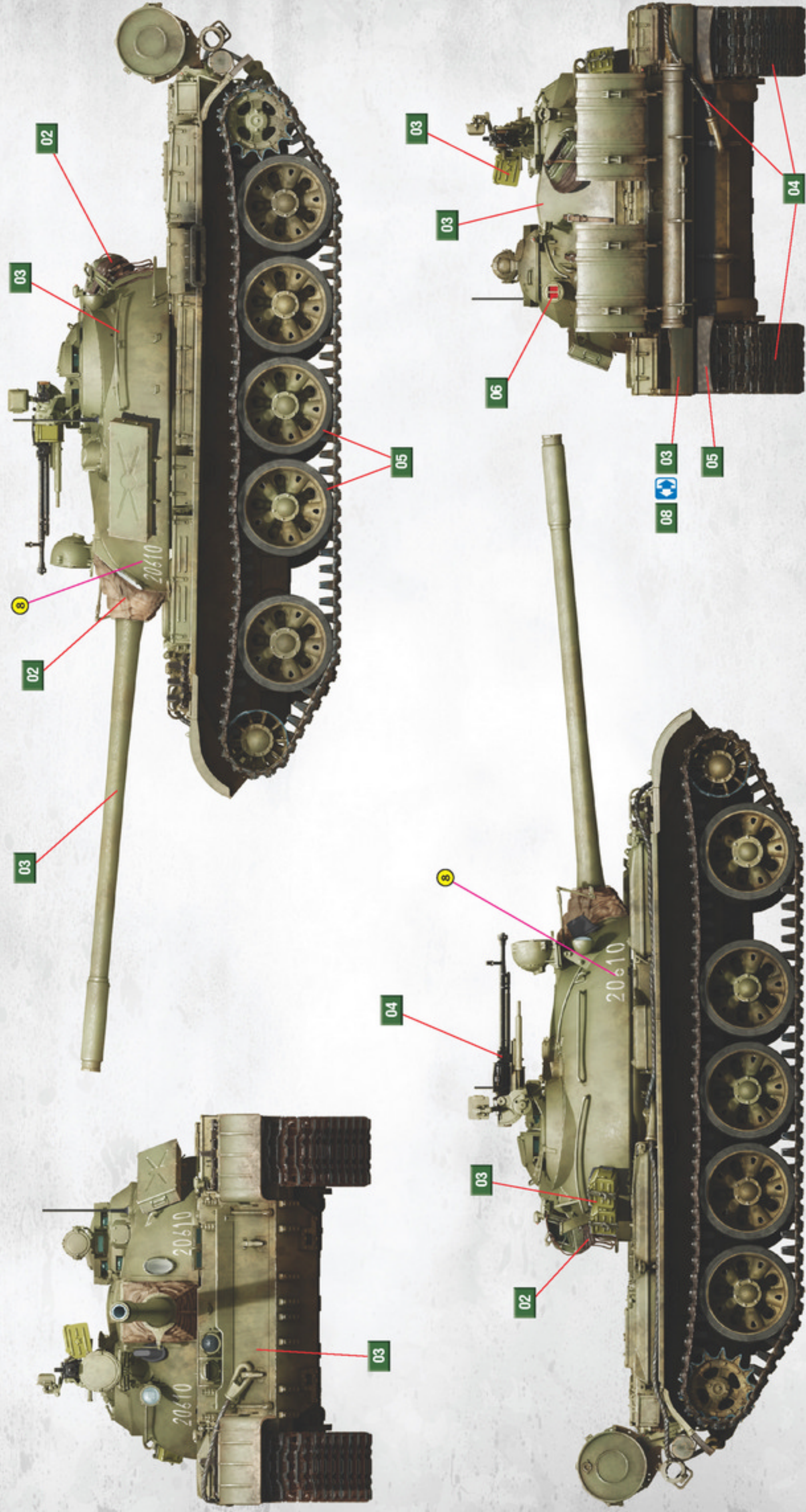
SCALE
1:35

PAINTING GUIDE
OKPACKA

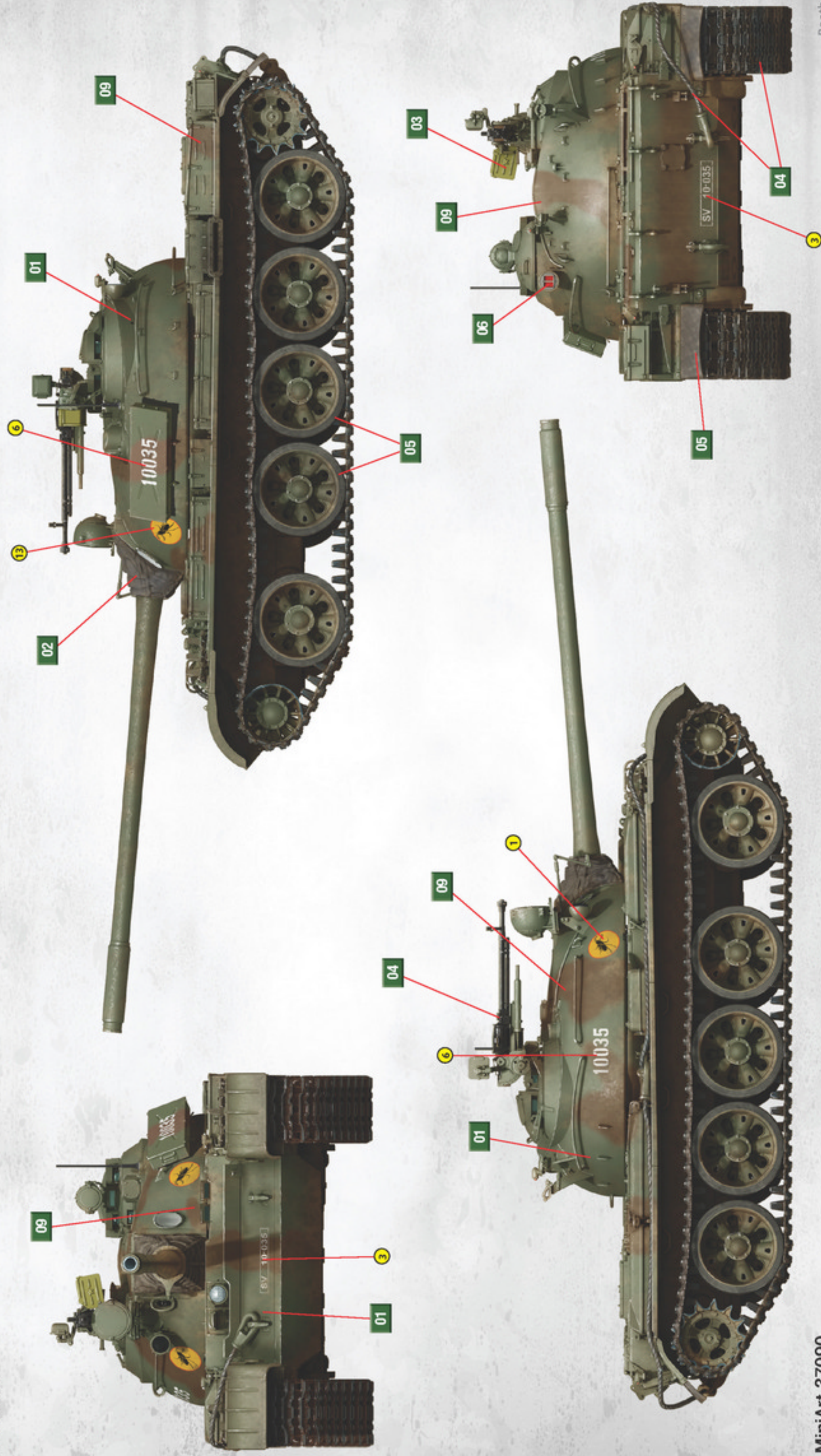
1 Polish People's Republic Army, 70-s.



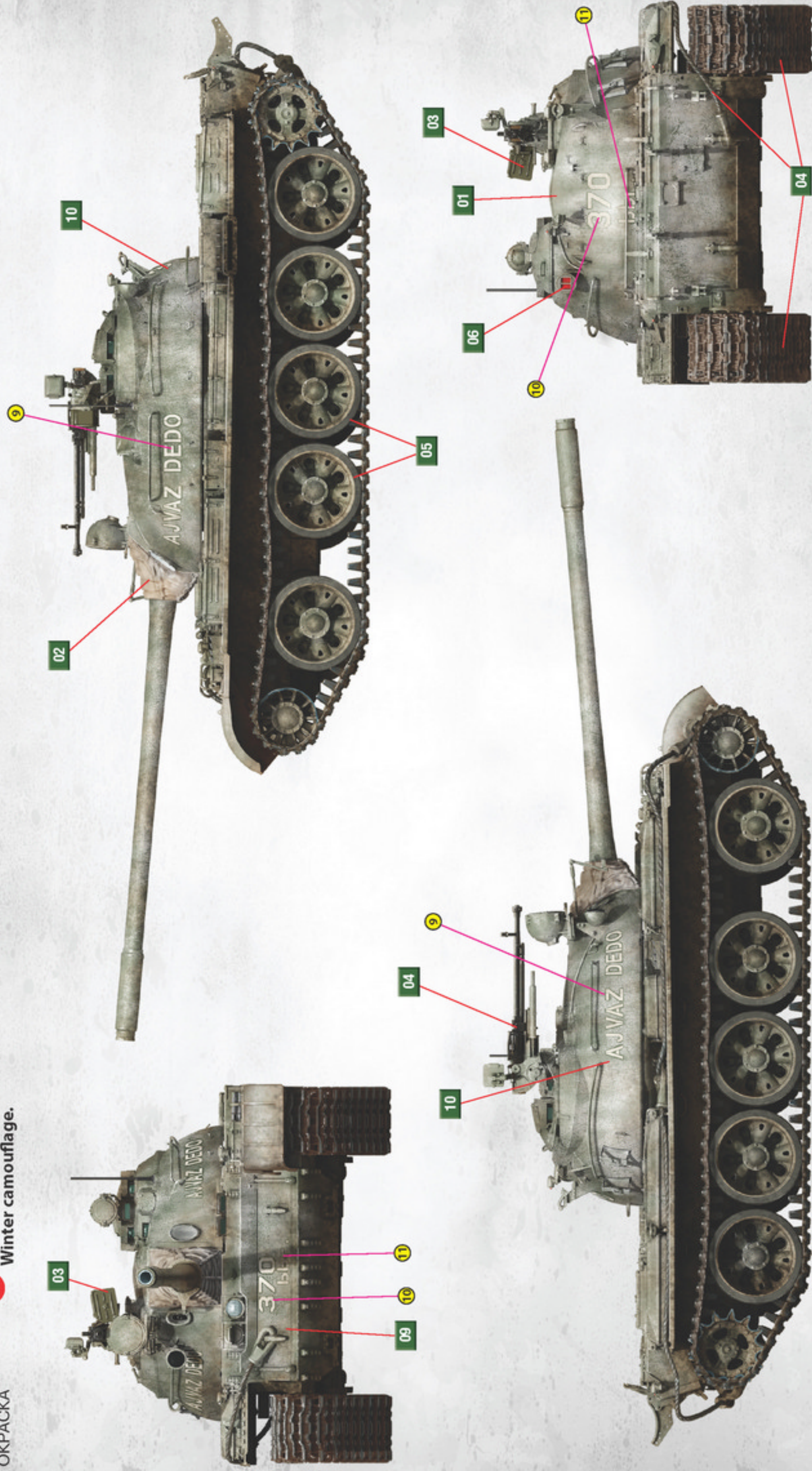
PAINTING GUIDE 2 Yugoslav People's Army, 80s.
OKPACKA



PAINTING GUIDE **3** Slovenian Army, 90s.
OKPACKA



PAINTING GUIDE 4 Republic of Bosnia and Herzegovina Army, 90s.
OKPACKA Winter camouflage.



ATTENTION

Ne pas utiliser de colle ou de peinture à proximité d'une flamme nue, et aérer la pièce de temps en temps.
 Pour retirer les pièces hors du cadre, utiliser des ciseaux spéciaux pour maquette le plastique en excès avec un cutter ou une lime.
 Voir la fin de cette colonne pour la signification des symboles.
 Après l'assemblage peut rester des pièces inutilisées.

ZUR BEACHTUNG

Kleber und Farbe nicht nahe von offenem Feuer verwenden und das Fenster von Zeit zu Zeit zur Belüftung öffnen.
 Zum Abschneiden der Teile vom Verbundstück eine Modellerschere verwenden und die überstehenden Plastikteile mit einem Messer oder einer Feile beseitigen.
 Die Bedeutung der Symbole finden Sie unten in dieser Spalte.
 Nach dem Zusammenbau des Modells können einzelne Teile übrig bleiben.

УВАГА

При використанні клею та фарб всі роботи проводити подалі від джерел вогню у приміщенні, що добре провітряється.
 Деталі відкривати від литьових ножем або іншим режущим інструментом. Зачистити облой і місця зрізу за допомогою надфілю та наждачного паперу. Будівництво моделі виконувати згідно зі схемою. Для зручності побудови кожна деталь позначена номером.
 Після складання можуть залишитися невикористані деталі.

ATTENZIONE

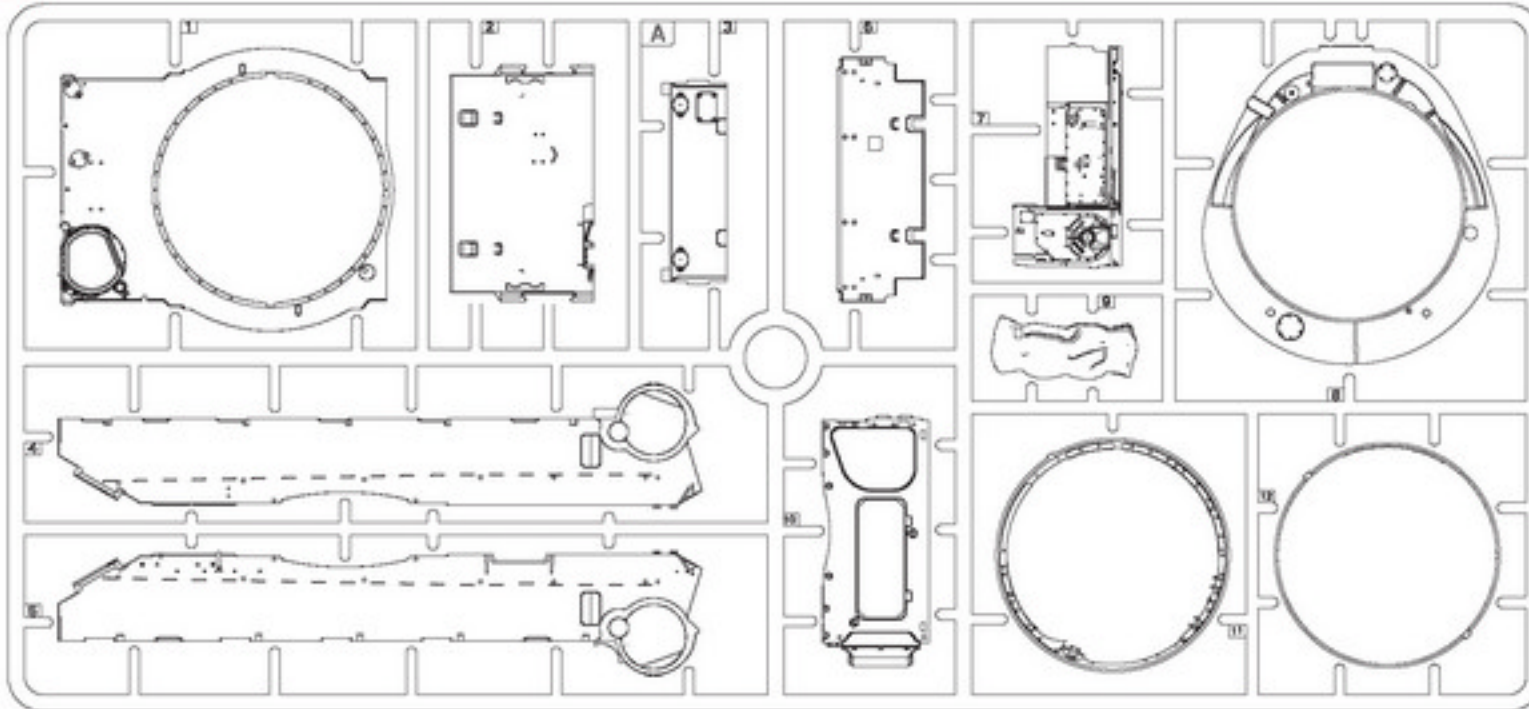
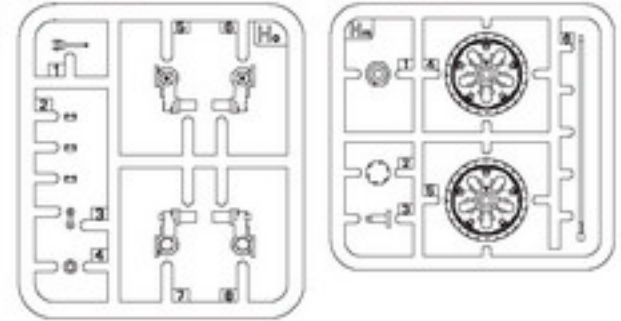
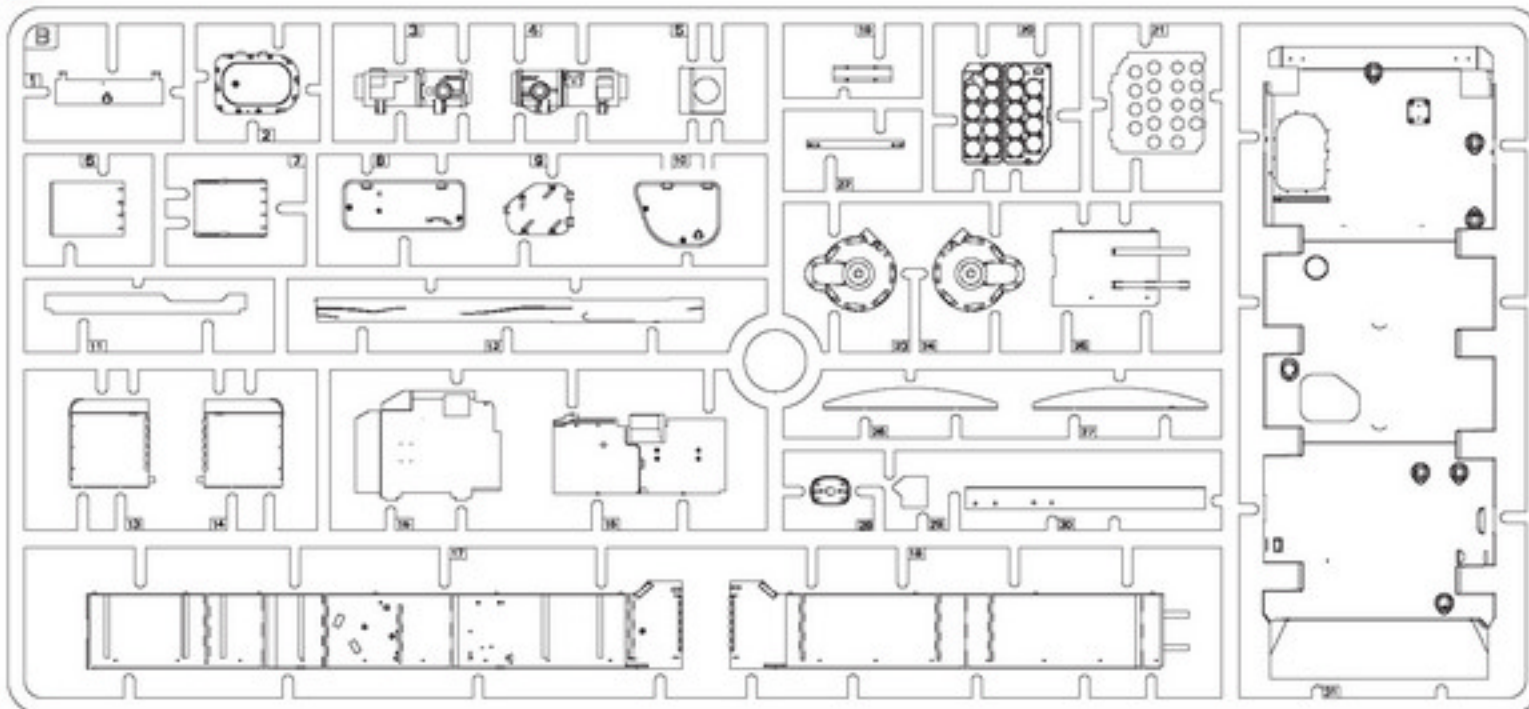
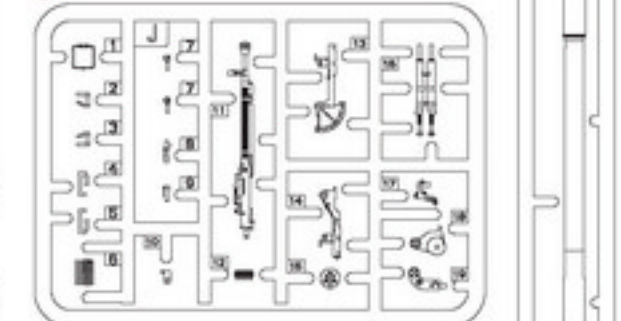
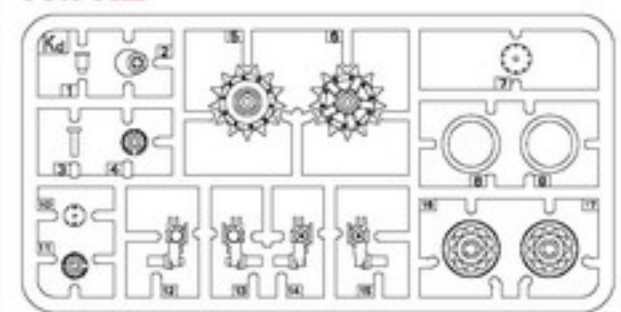
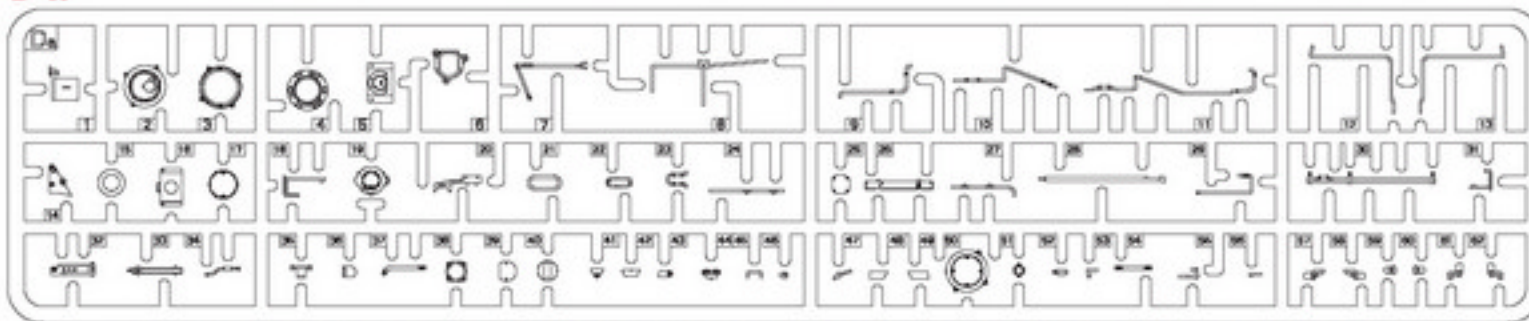
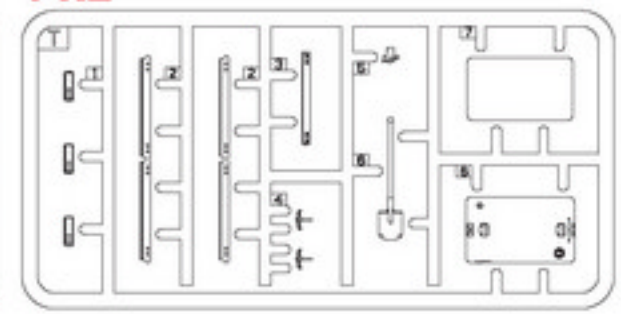
Non usare colla e vernice vicino a fiamme esposte, e aprire le finestre di tanto in tanto per cambiare l'aria. Quando si staccano parti del cartello, usare forbici da modellismo e eliminare la plastica in eccesso con un coltello o una lima. Vedere in fondo a questa colonna per il significato. Dopo l'assemblaggio possono rimanere parti inutilizzate.

ВНИМАНИЕ

При использовании клея и красок все работы производить в проветриваемом помещении вдали от источников огня. Детали отделять от литьевых ножем или другим режущим инструментом. Зачистить облой и места среза при помощи надфиля и наждачной бумаги. Сборку моделей производить согласно схеме сборки.
 Для удобства сборки каждая деталь обозначена номером.
 После сборки набора могут остаться неиспользованные детали.

CAUTION

When you use glue or paint, do not use near open flame, and use in well ventilated room. When you take parts off from the runner frame, use modeling scissors or cutter.
 See the bottom of this column for the meaning of symbols.
 Extra details can remain after assembling of the kit.

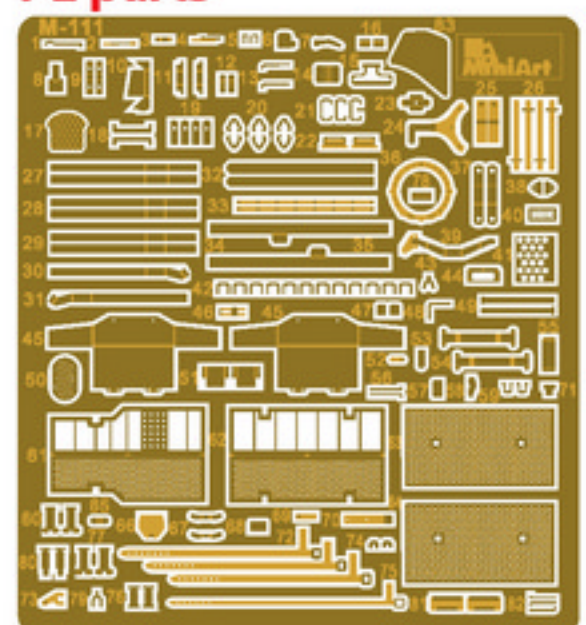
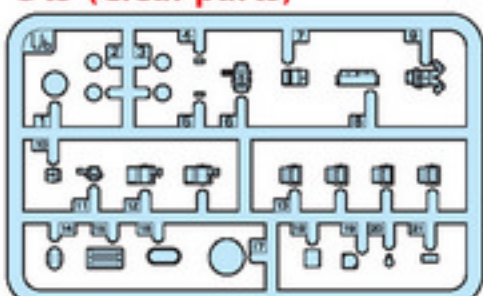
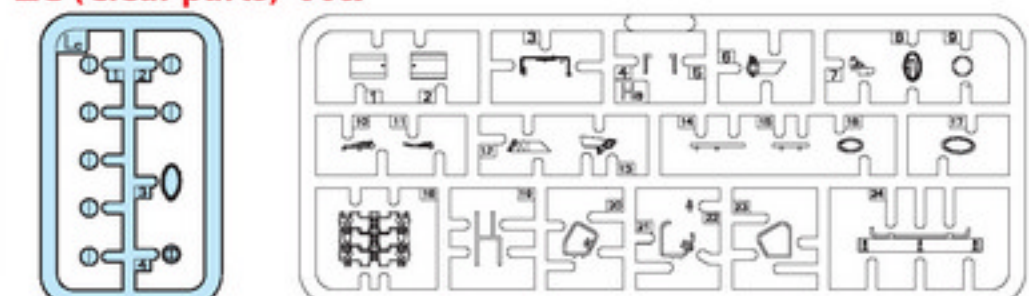
PARTS**A****Ho x4****Hm x8****B****J****Ga****Kd x2****Da****T x2****Decal**

MiniArt 37090 T-55A Polish Production (Serbia, Slovenia, Bosnia-Herzegovina, Poland) **370** 10 **370**

SV 10-035 3 SV 10-035 bbr. 11 20205 7 5 **3428**

1 2 13 20610 8 20610 bbr. 10035 6 10035 **3428**

D5 12 **AJVAZ DEDO** 9 **AJVAZ DEDO** 4

PE parts**Ub (Clear parts)****LC (Clear parts) Ha**



MAKE 2pcs
2 TEILE FERTIGEN
EFFECTUER 2 PIECES
FARE DUE PEZZI
TEE 2 KPL
GOR 2 ST
ПОСТРОИТЬ ДВА РАЗА
КЪЛКОСТЬ РАЗВ



DO NOT CEMENT
NICH KLEBEN
NE PAS COLLER
NON INCOLLARE
EIJIMAA
LIMMAEJ
НЕ ИСПОЛЬЗОВАТЬ КЛЕЙ
НЕ КЛЕИТИ



OPTIONAL
NACH BELIEBEN
FACULTATIF
FACOLTATIVO
VALINNANVARAINEN
VALBAR
ВАРИАНТЫ
ВАРИАНТИ



OPEN HOLE
OFFNEN
FAIRE UN TROU
FORO APERTO
AVRA REIKA
OPPNNA HALET
СДЕЛАТЬ ОТВЕРСТИЕ
ЗРОБИТИ ОТВР



REMOVE
ENTFERNEN
RETRER
SEPARARE
POISTA
AVLAGSNA
ОТРЕЗАТЬ
ВІДРІЗАТИ



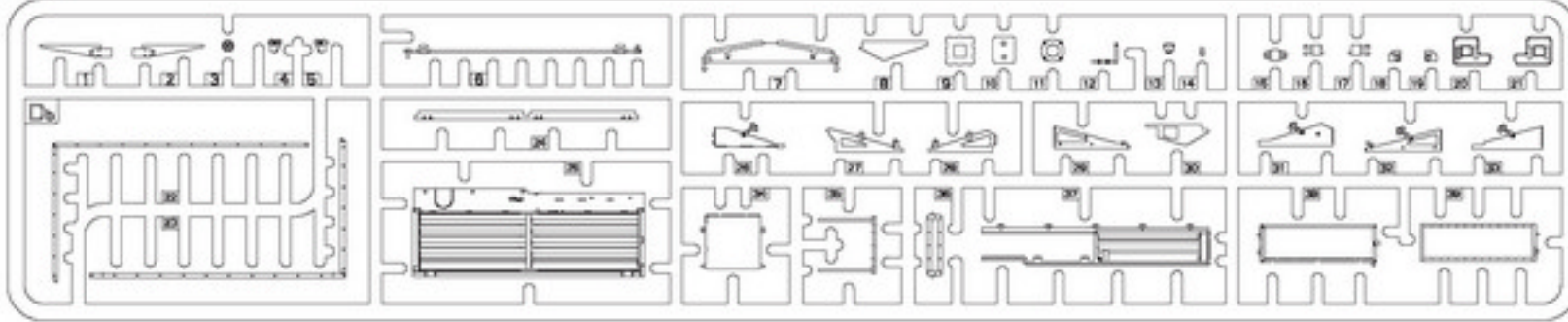
BEND
BITTE BIEGEN
PLIER S'IL VOUS PLAÎT
PIEGARE
TAI TA
ВОККА
ВИГНУТИ
ВИГНУТИ



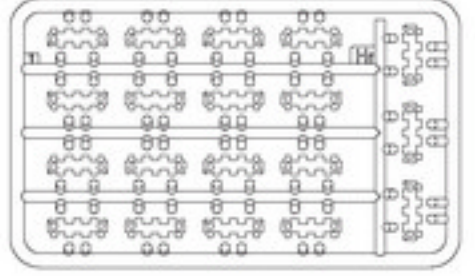
SCRATCH/BUILD
AM MEISTEN ZU MACHEN
FAIRE LE PLUS
RENDITI
TEE ITSE
GOR DIG SJÄLV
СДЕЛАТЬ САМОМУ
ЗРОБИТИ САМОМУ

PARTS

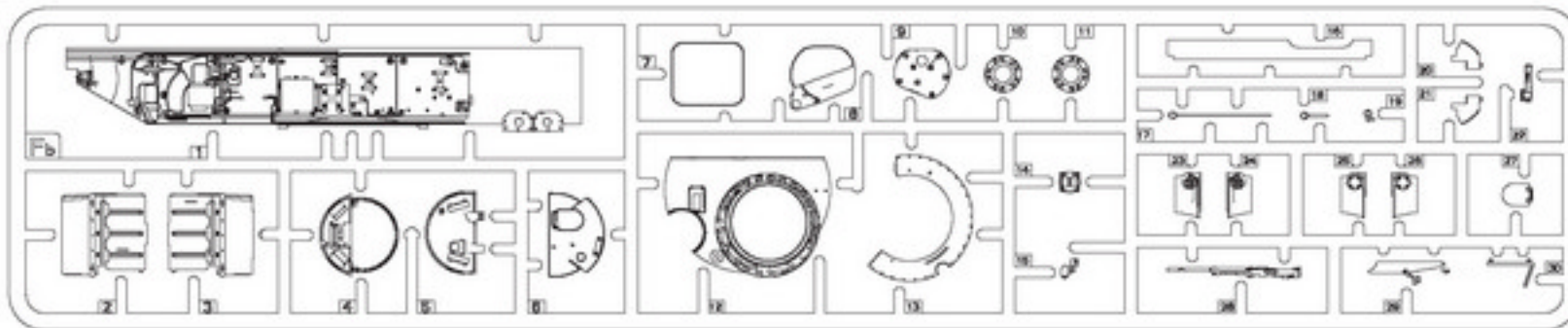
Db



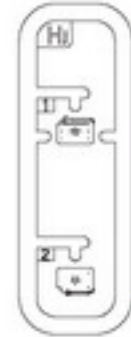
Hf x10



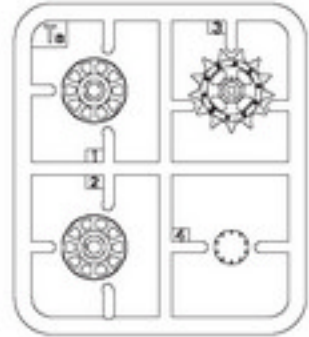
Fb



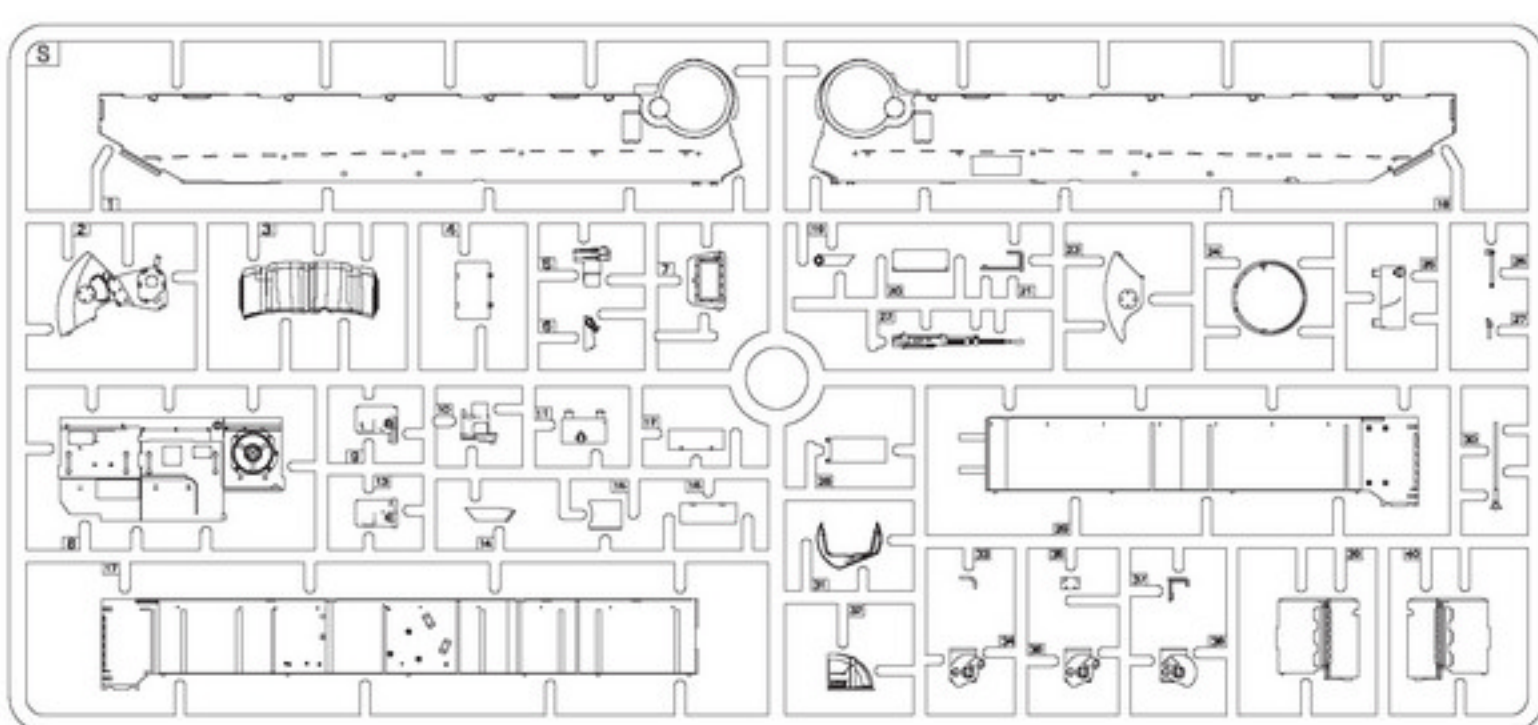
Hj x3



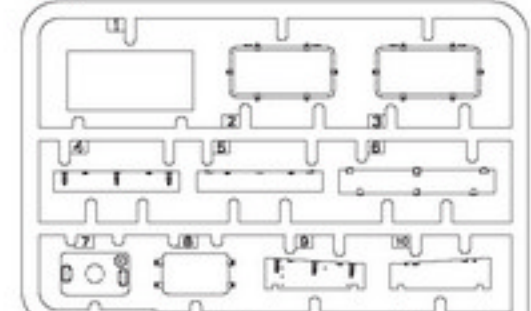
Ta x2



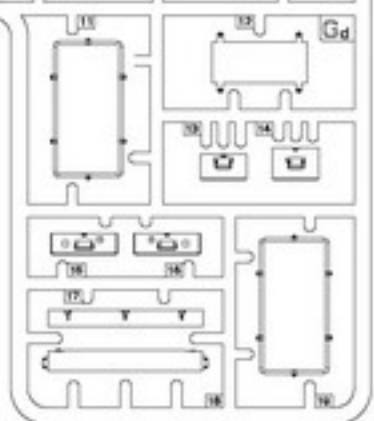
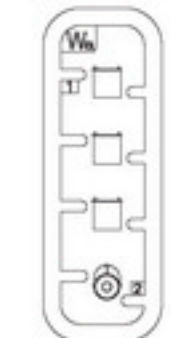
S



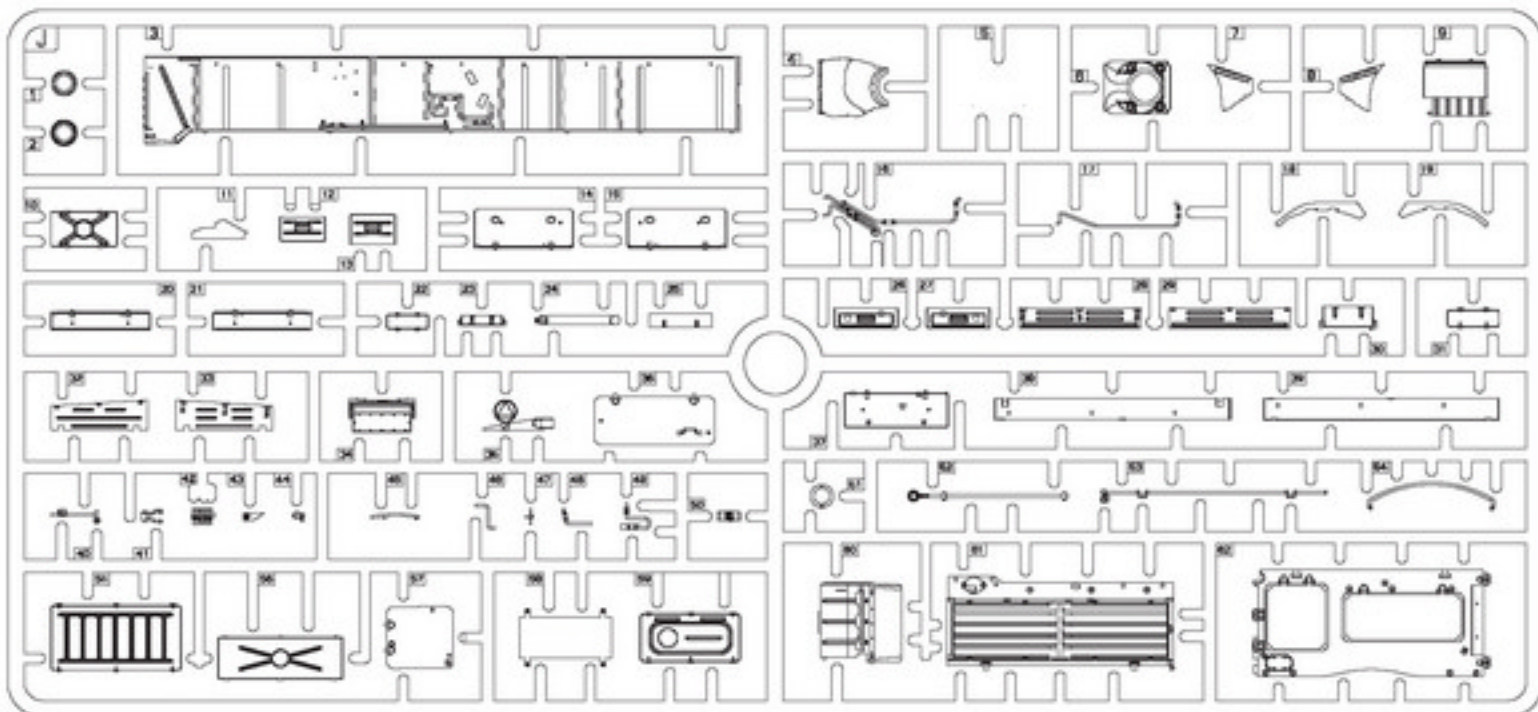
Gd



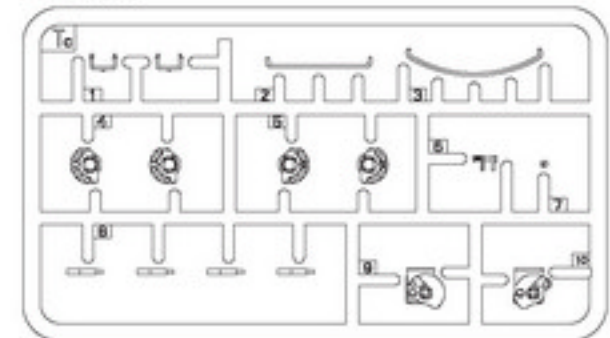
Wa x2



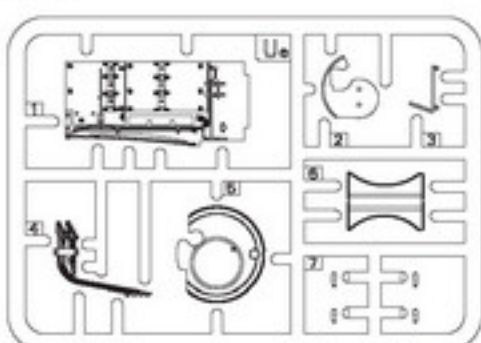
J1



Tc x3



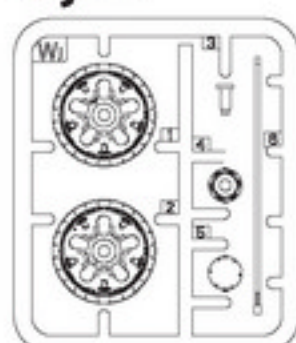
Ue



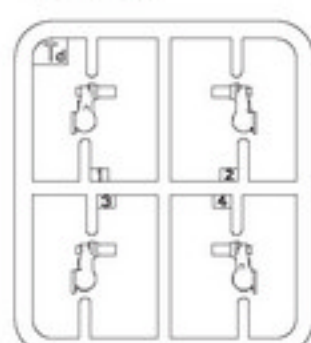
We x3



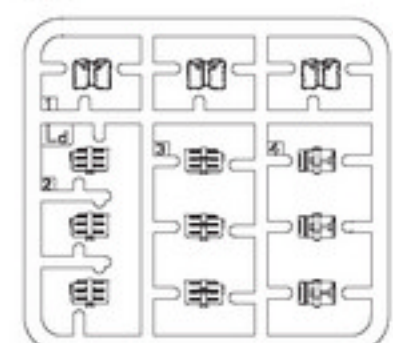
Wj x2



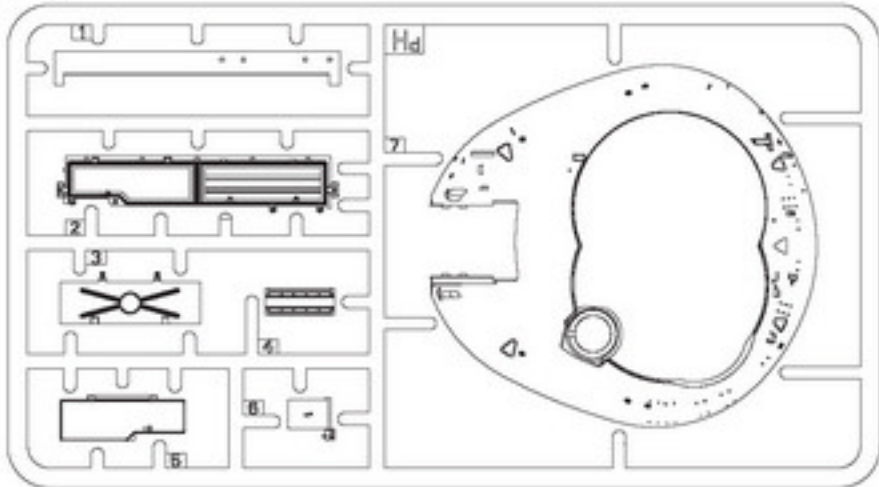
Td x3



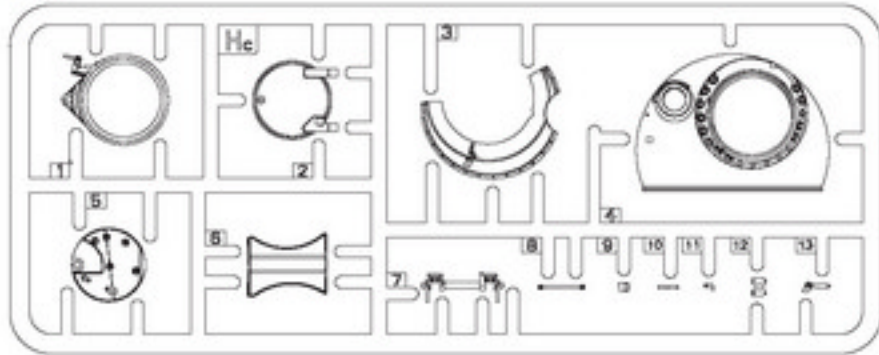
Ld



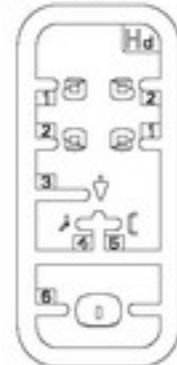
Hd¹



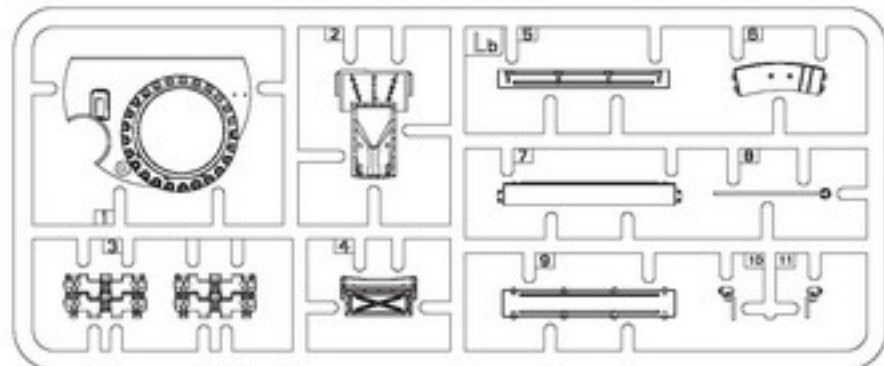
Hc



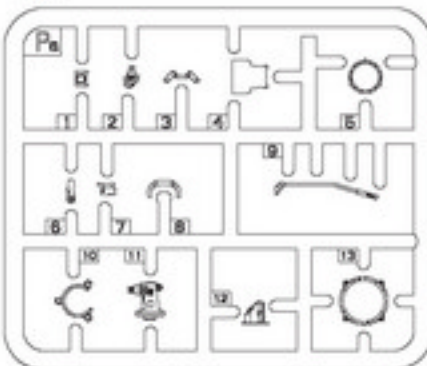
Hd x4



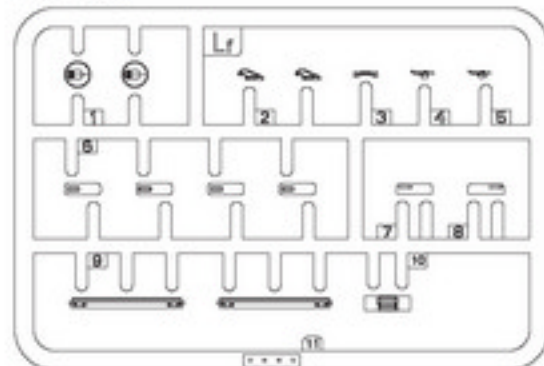
Lb



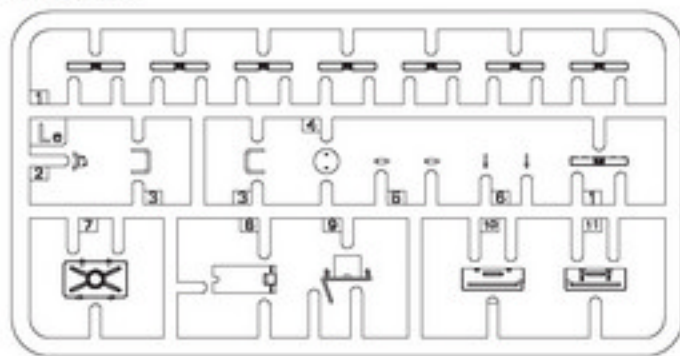
Pa



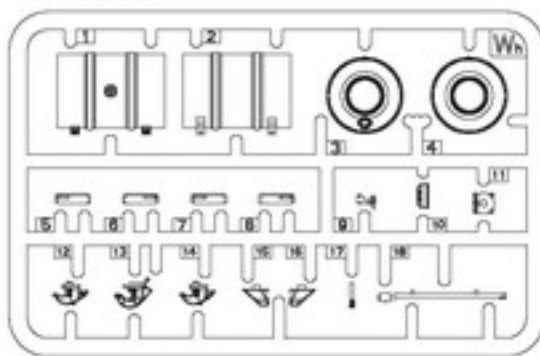
Lf x2



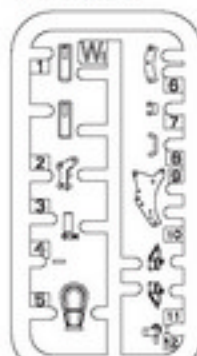
Le x2



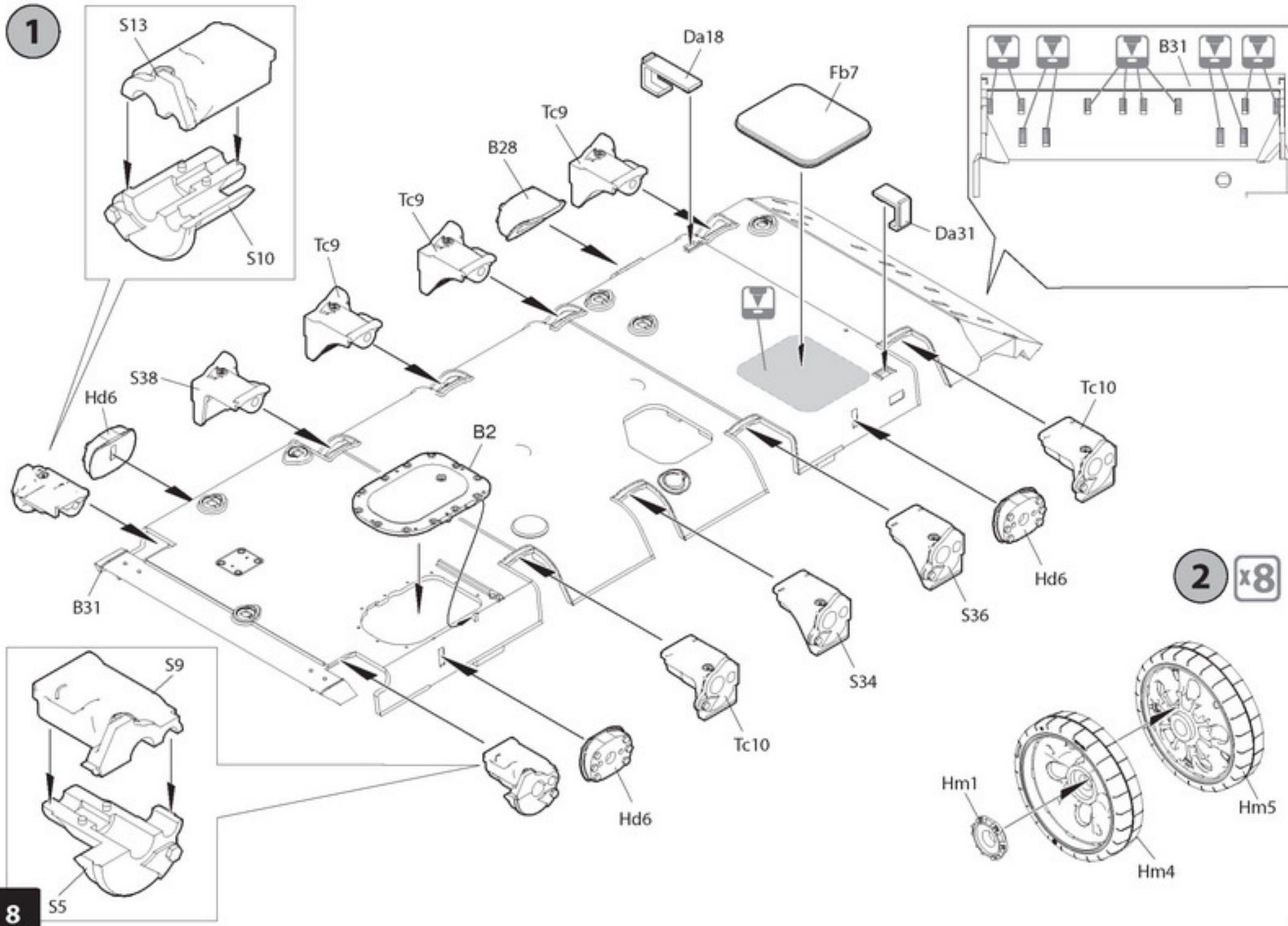
Wh x2

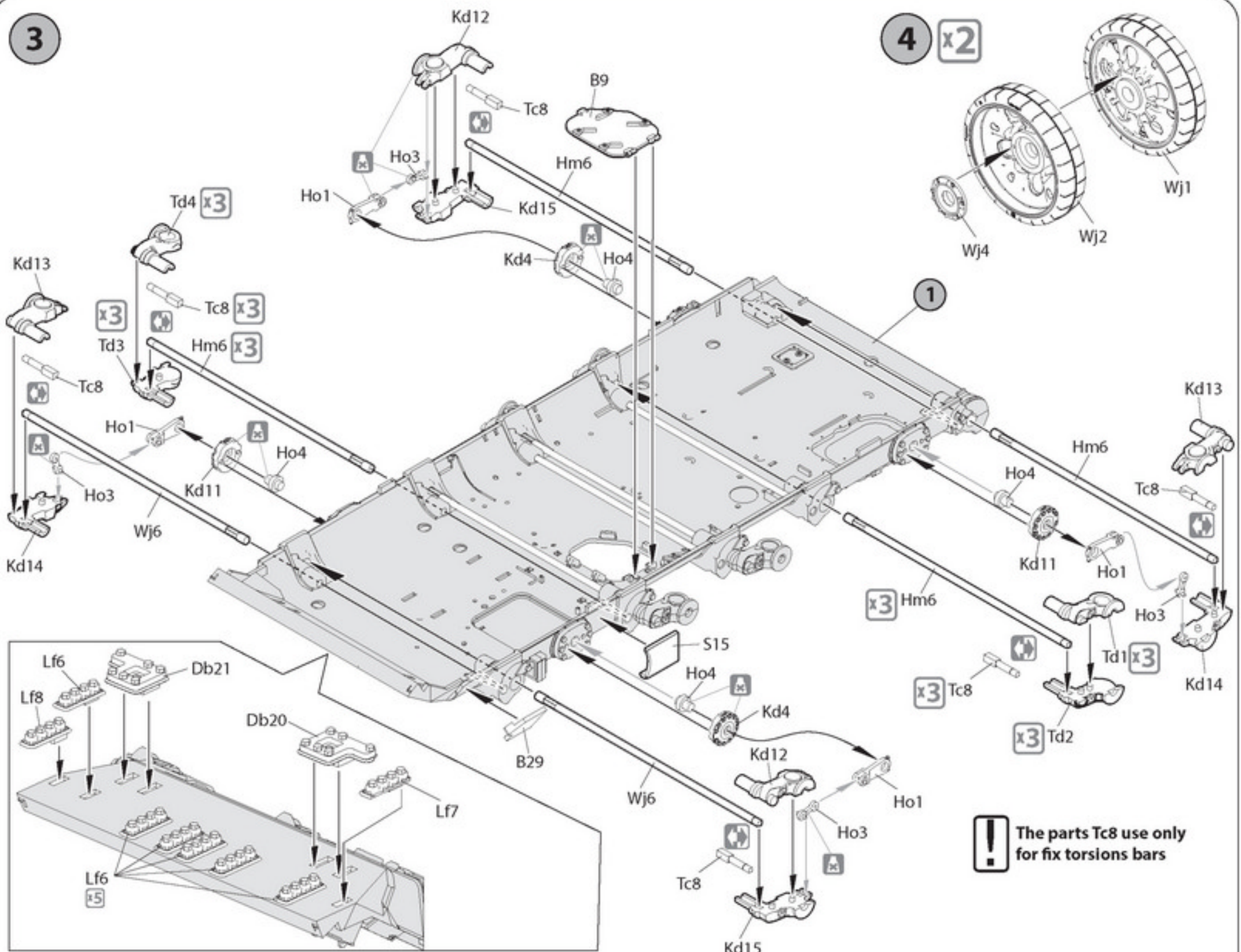
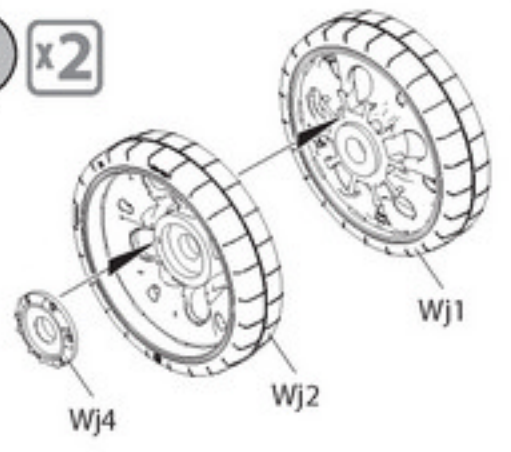
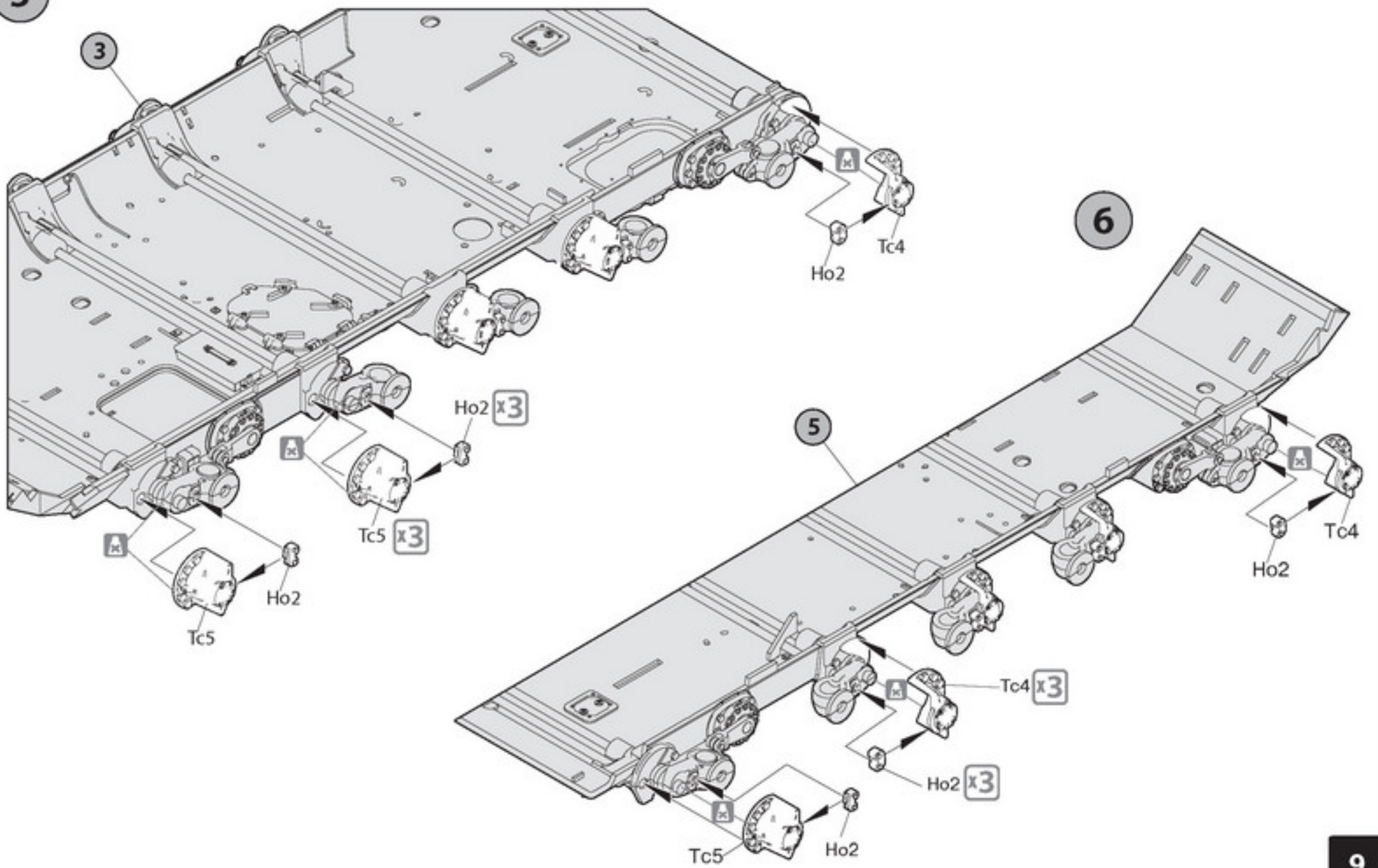


Wi x4

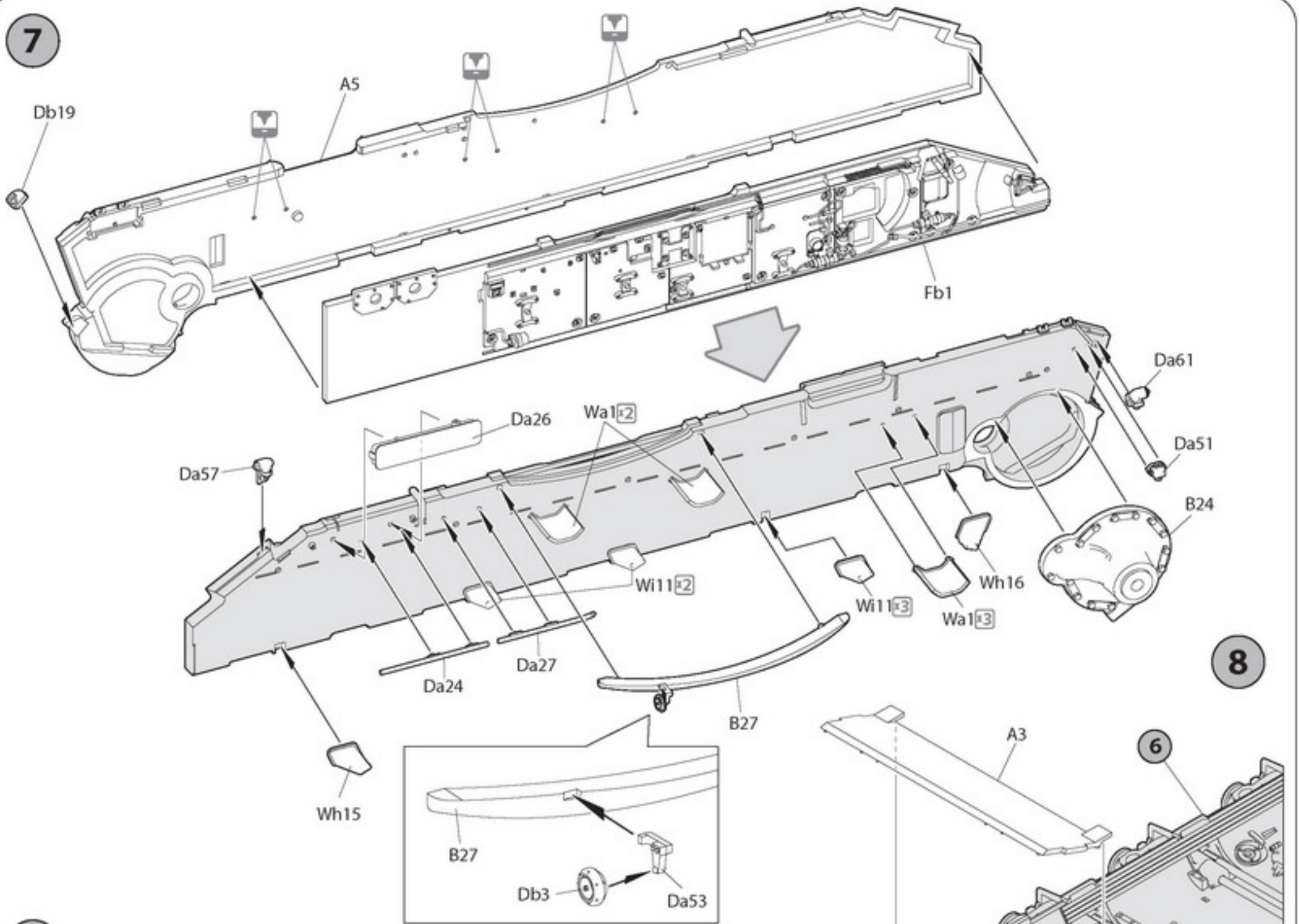


INSTRUCTION

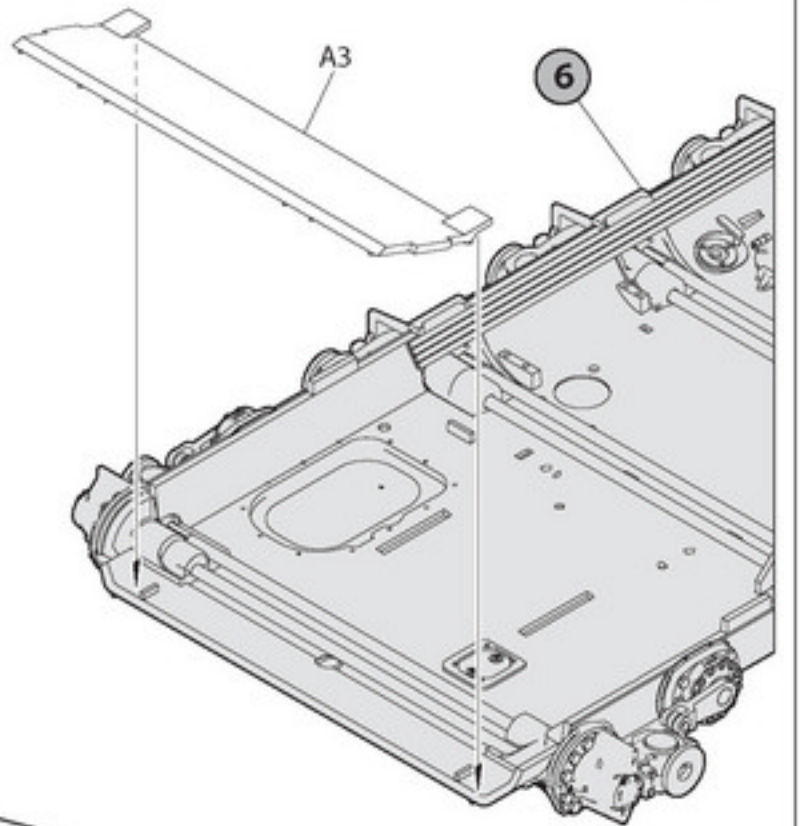


3**4** x2**5**

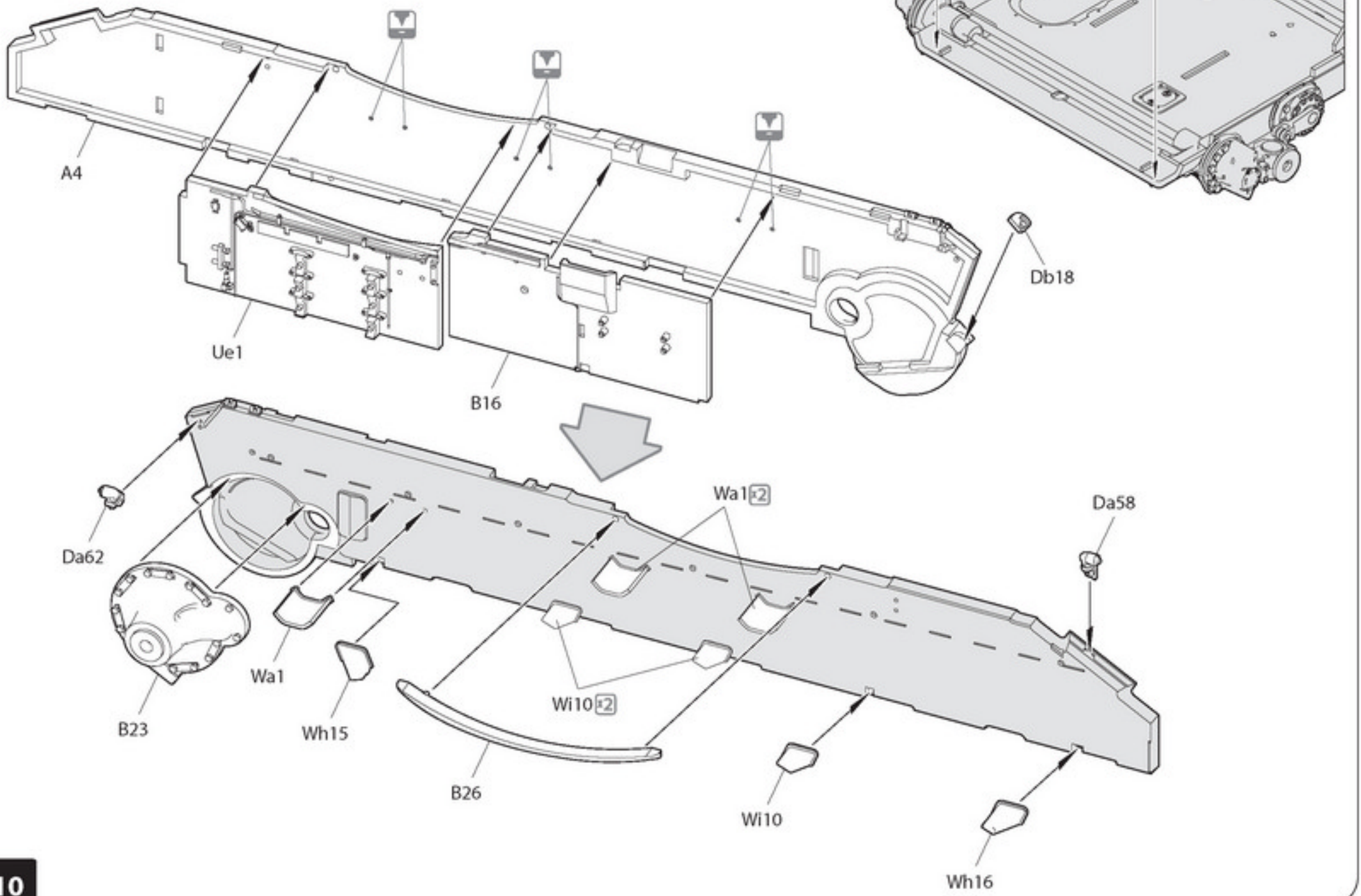
7



8

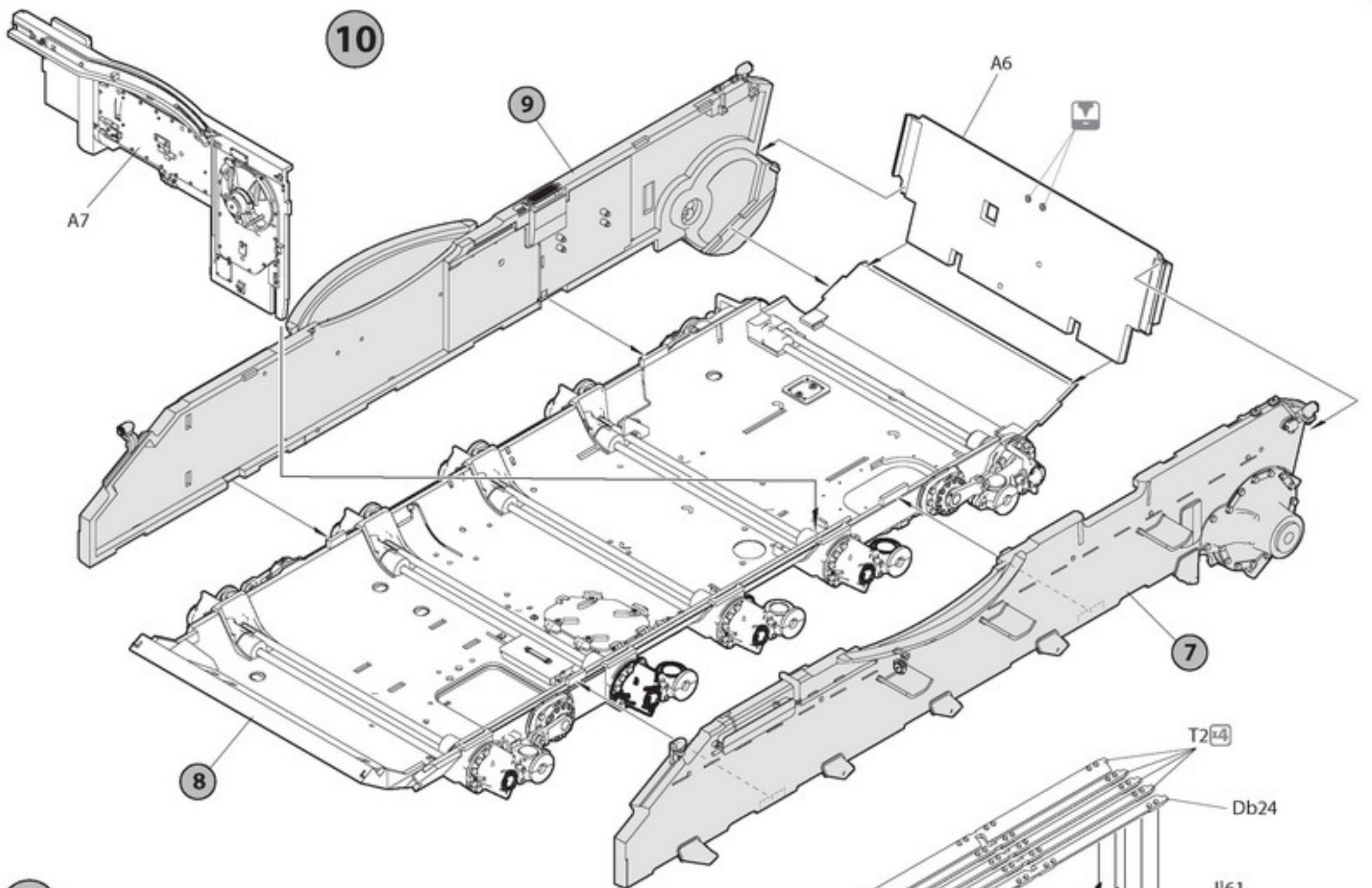


9

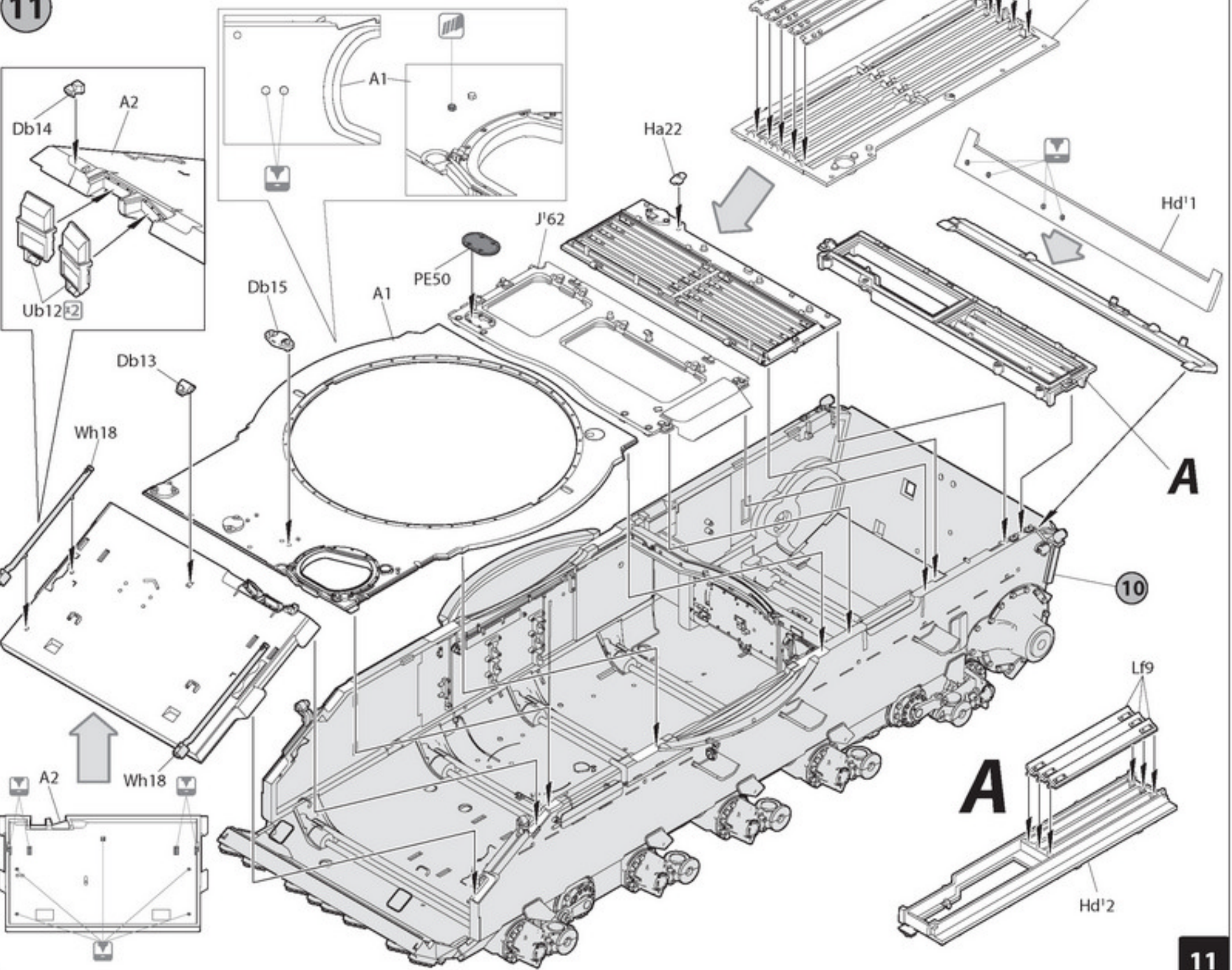


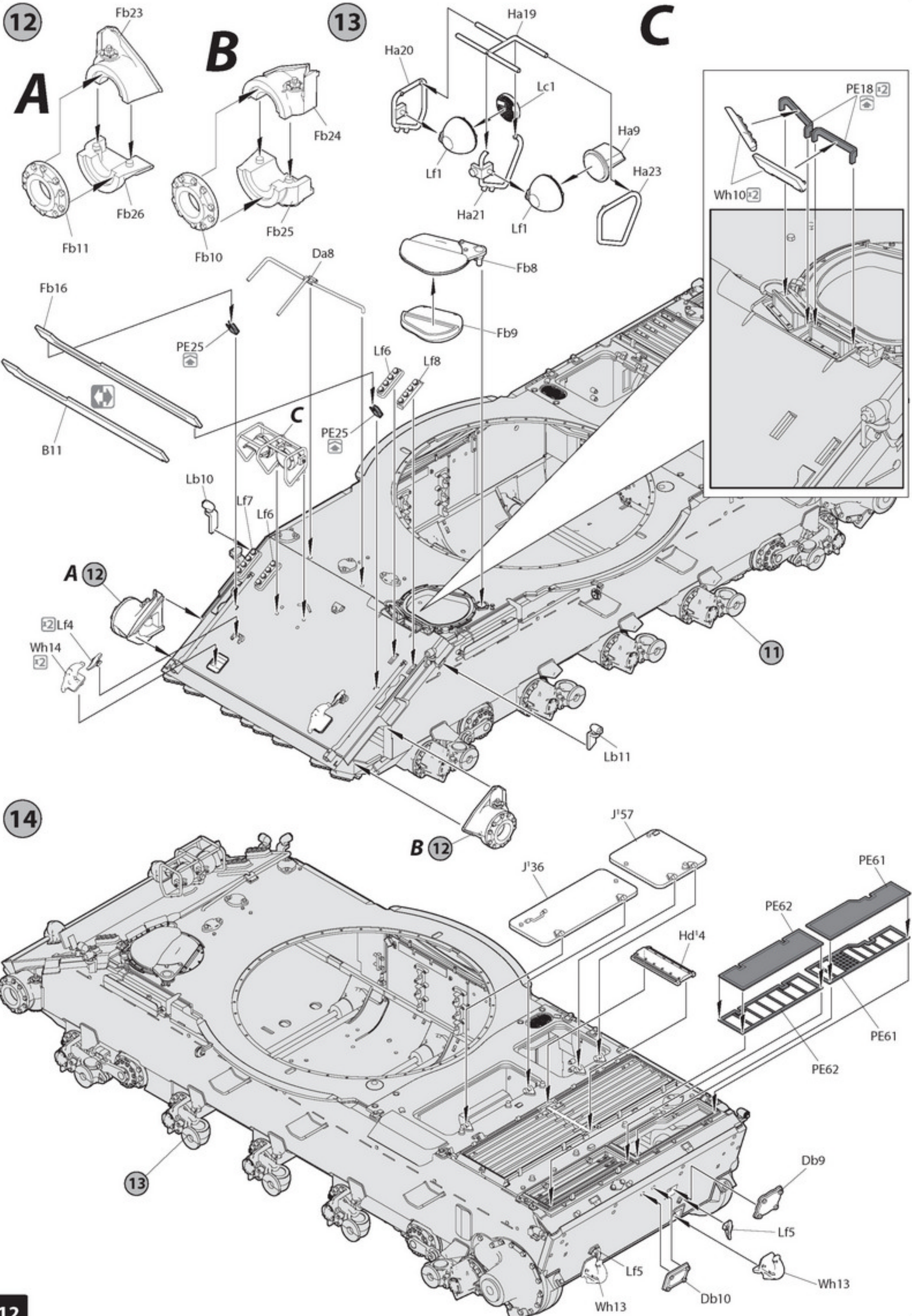
10

10

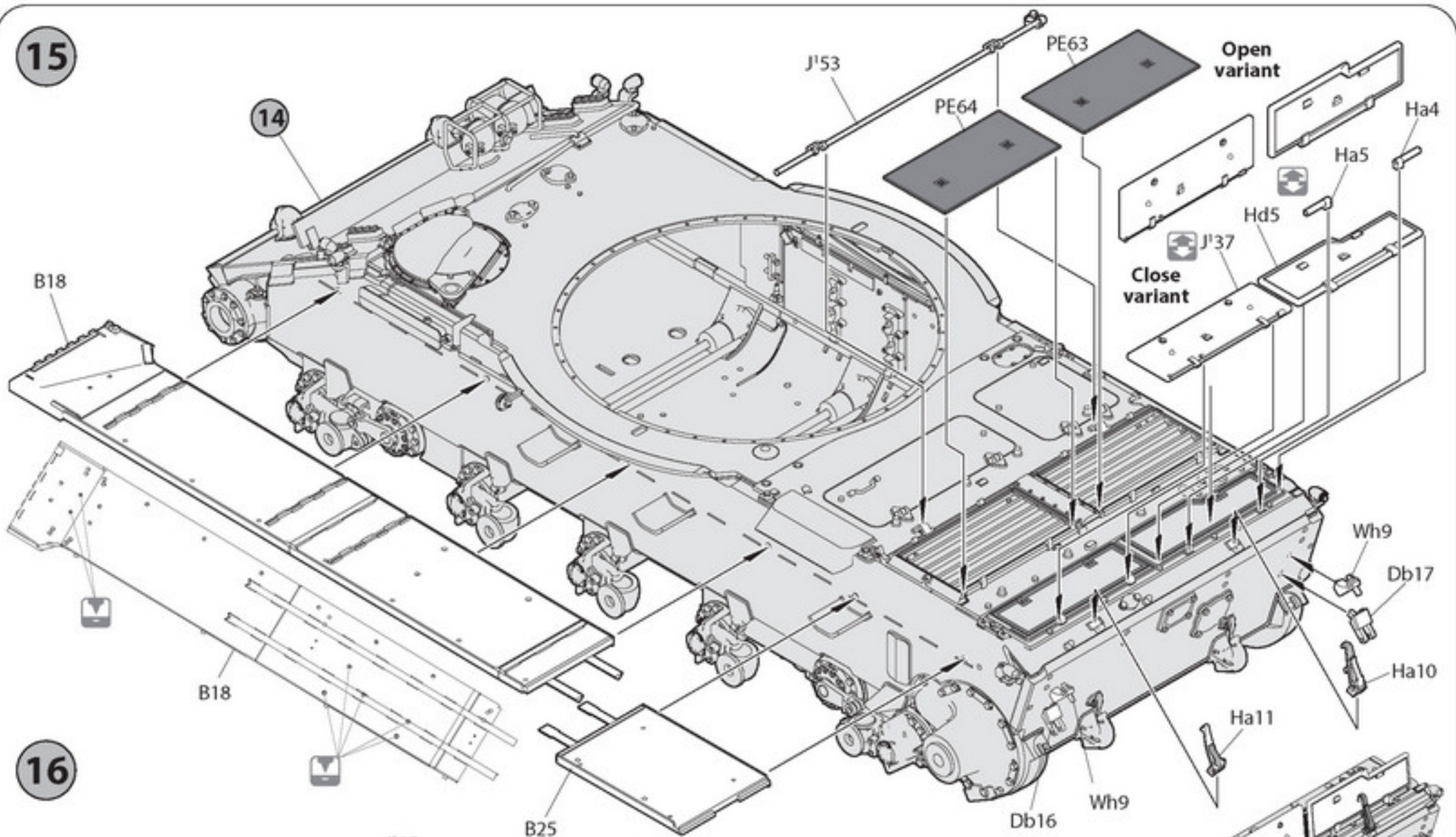


11

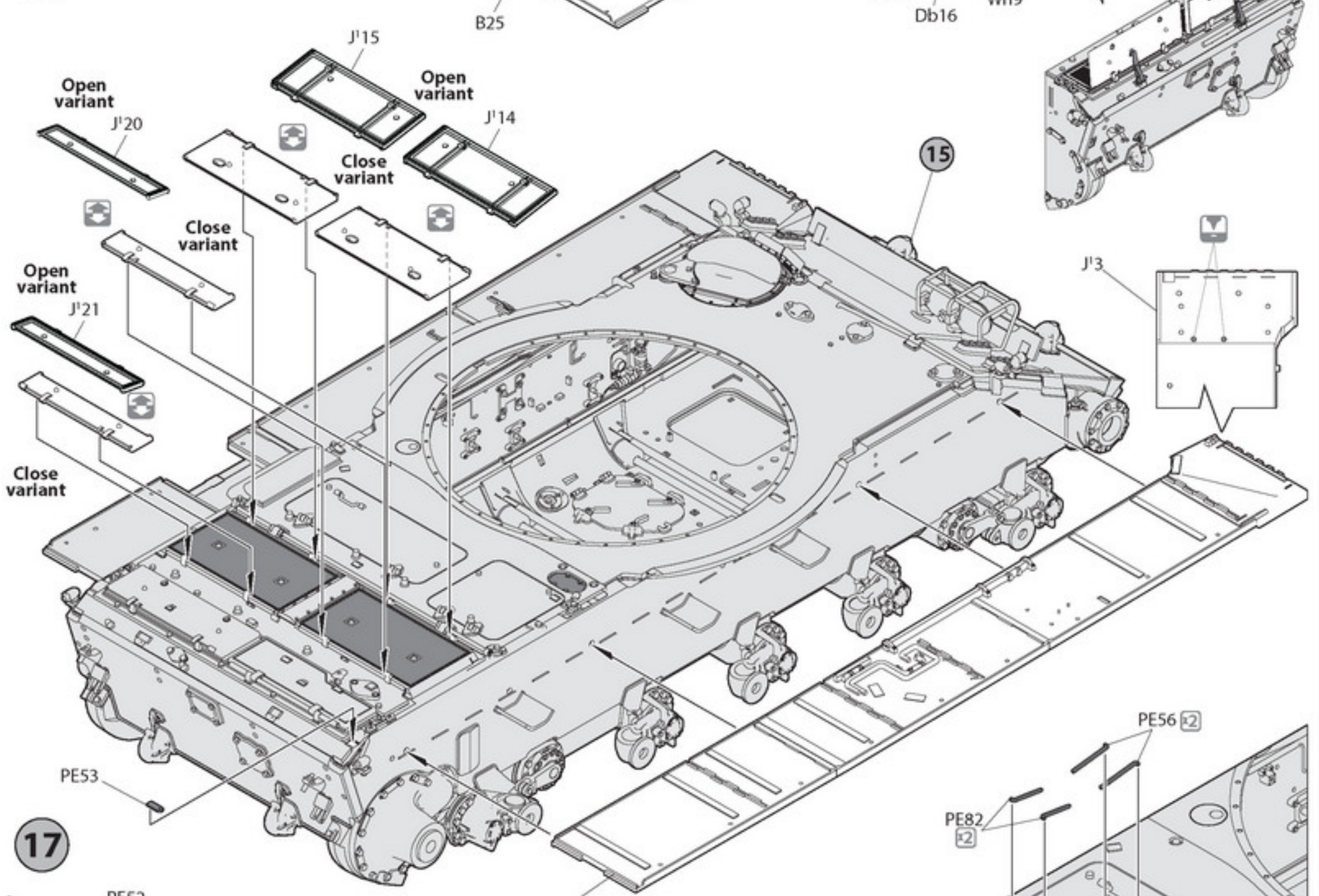




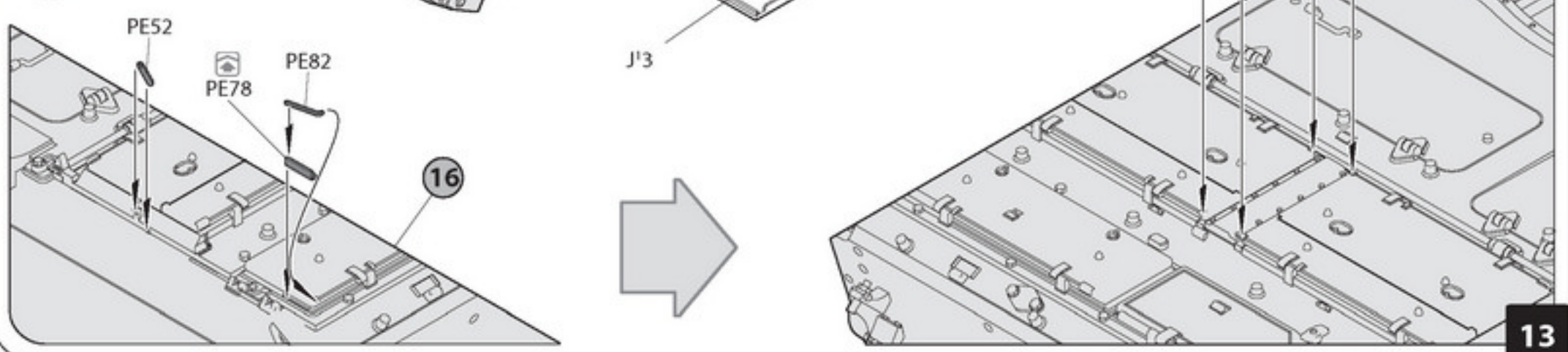
15



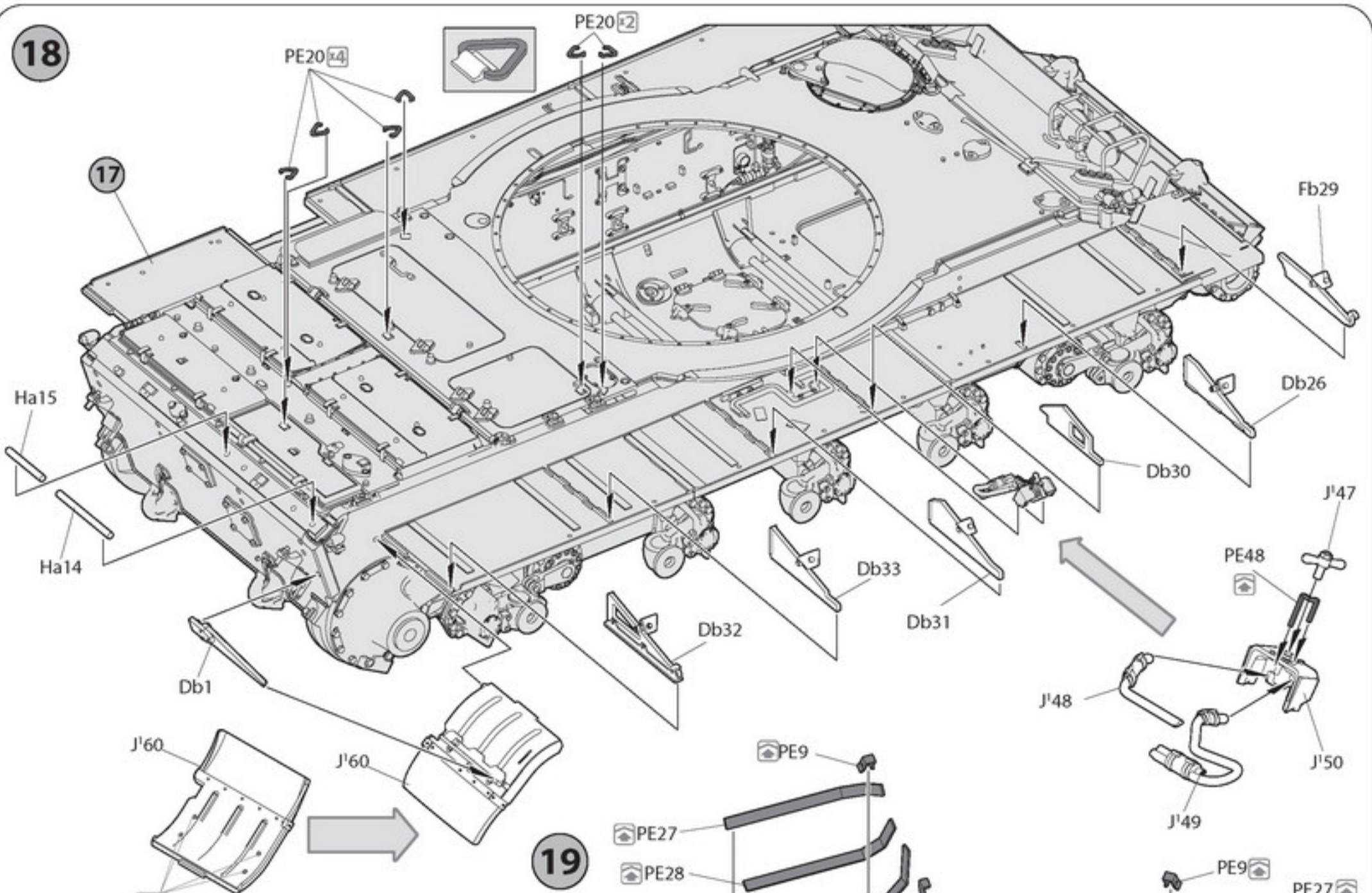
16



17

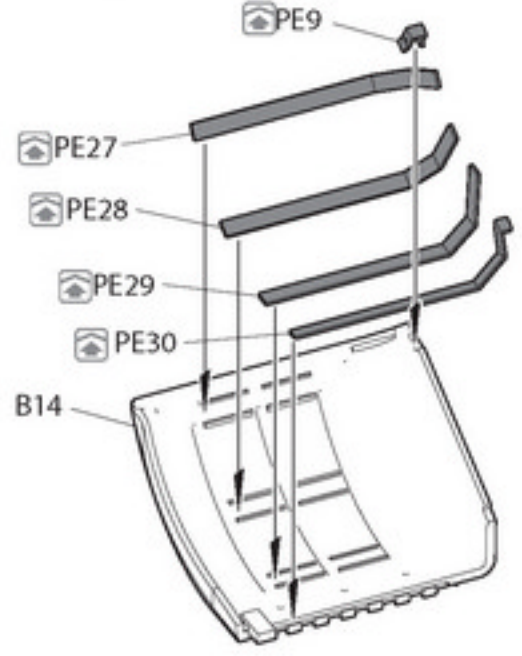


18

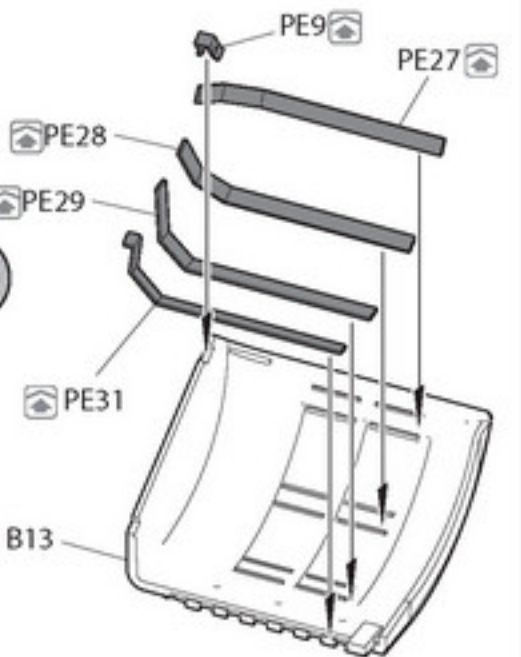


Only for color variant 3

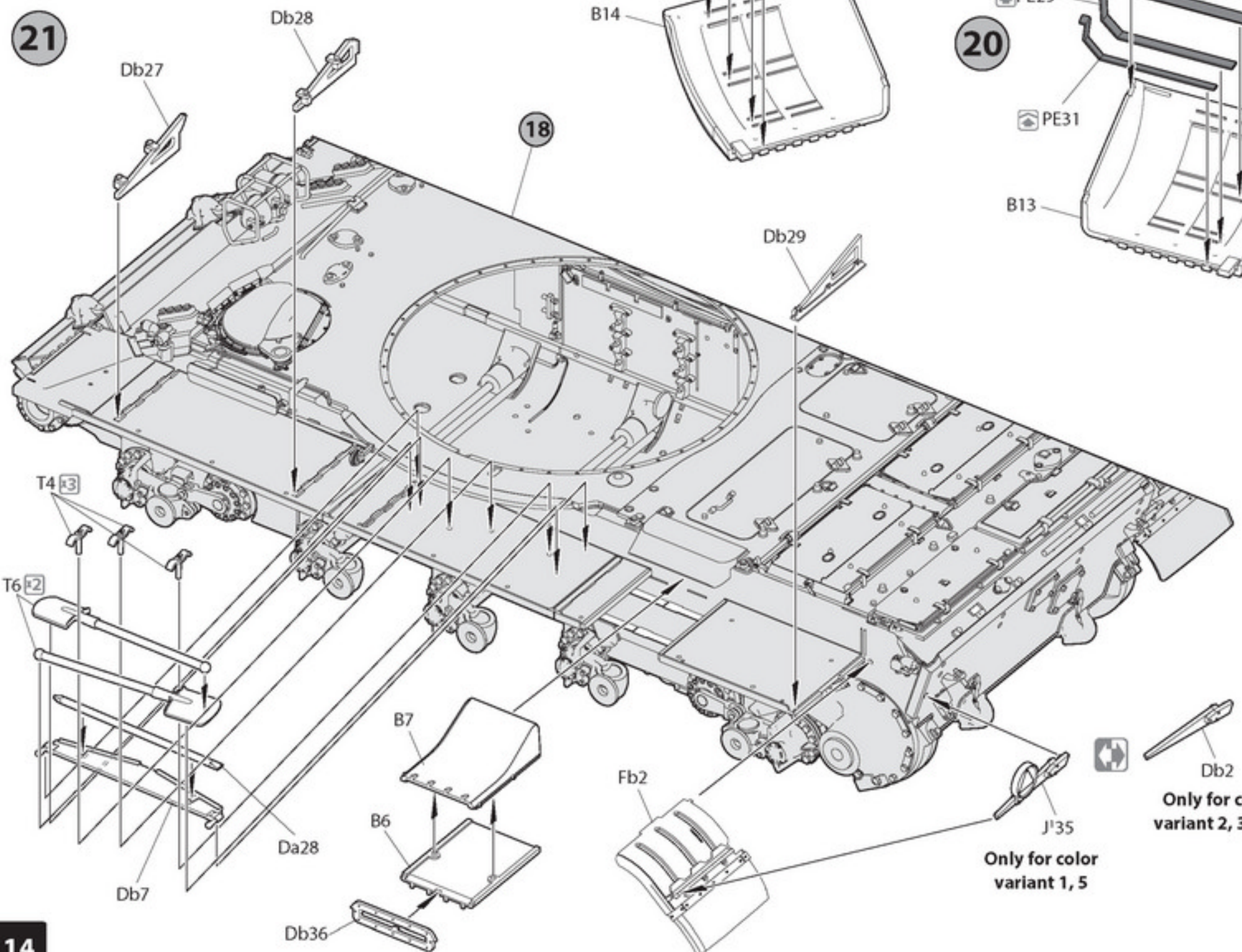
19



20

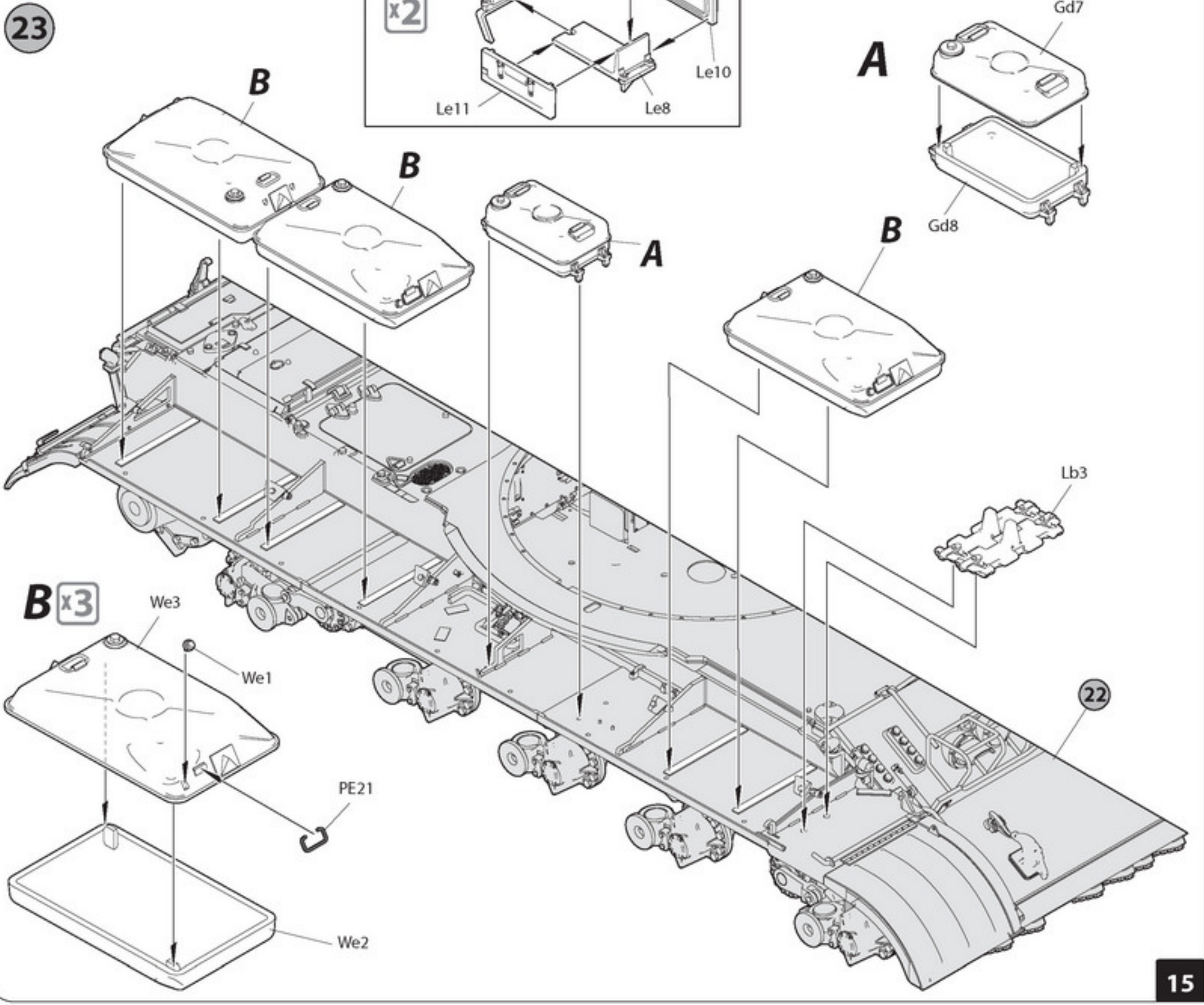
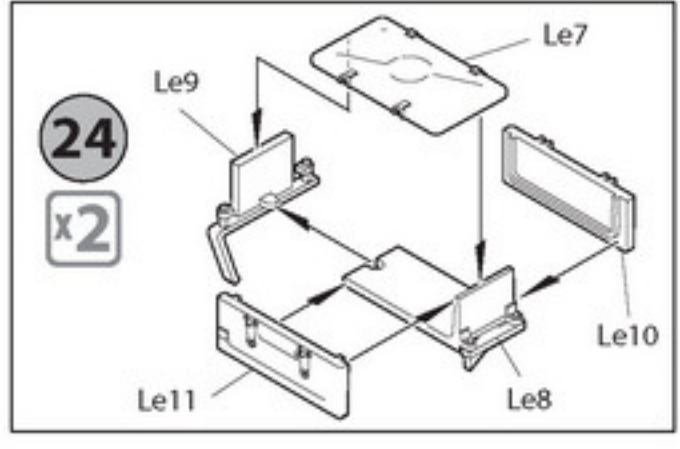
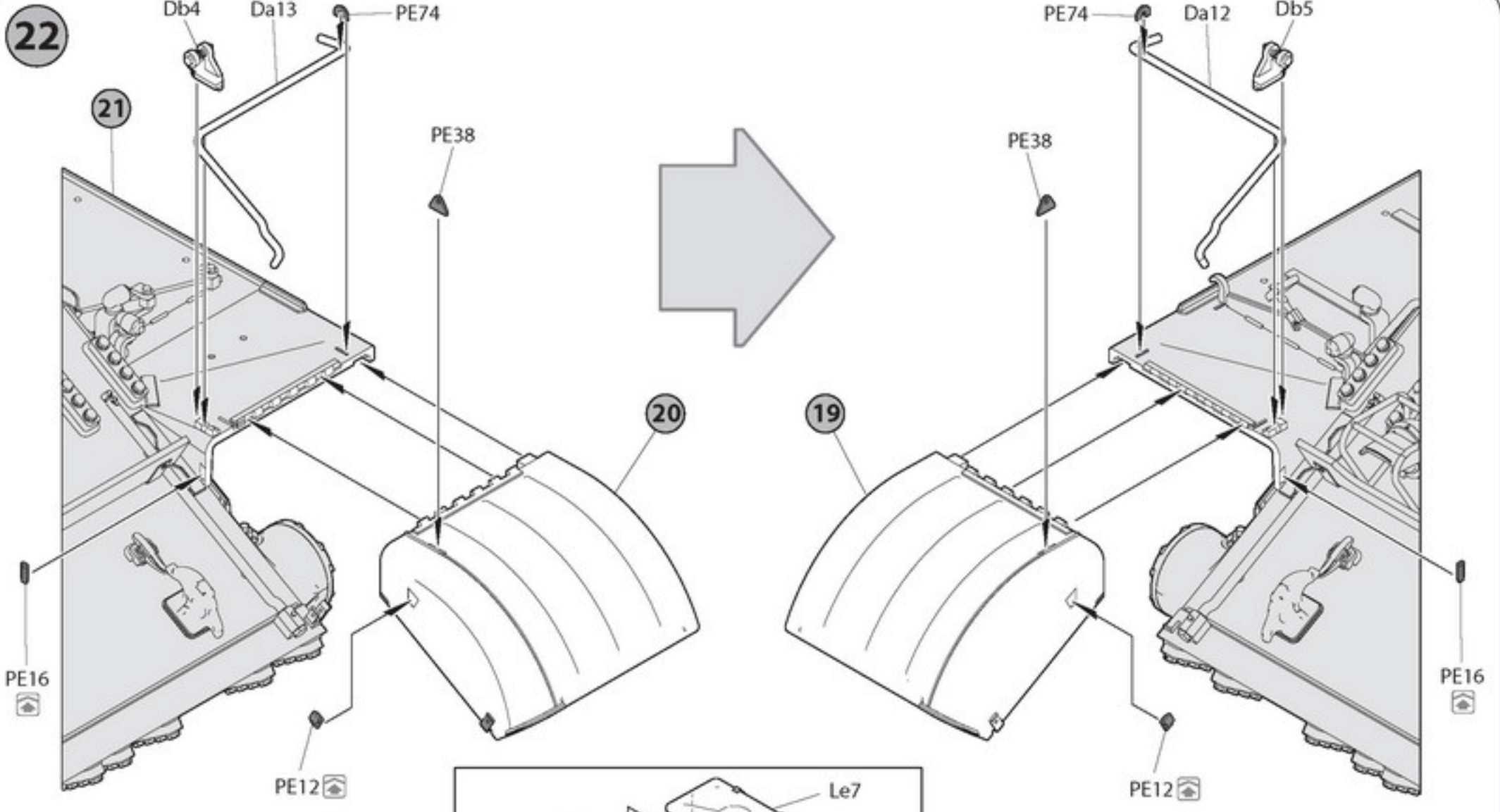


21

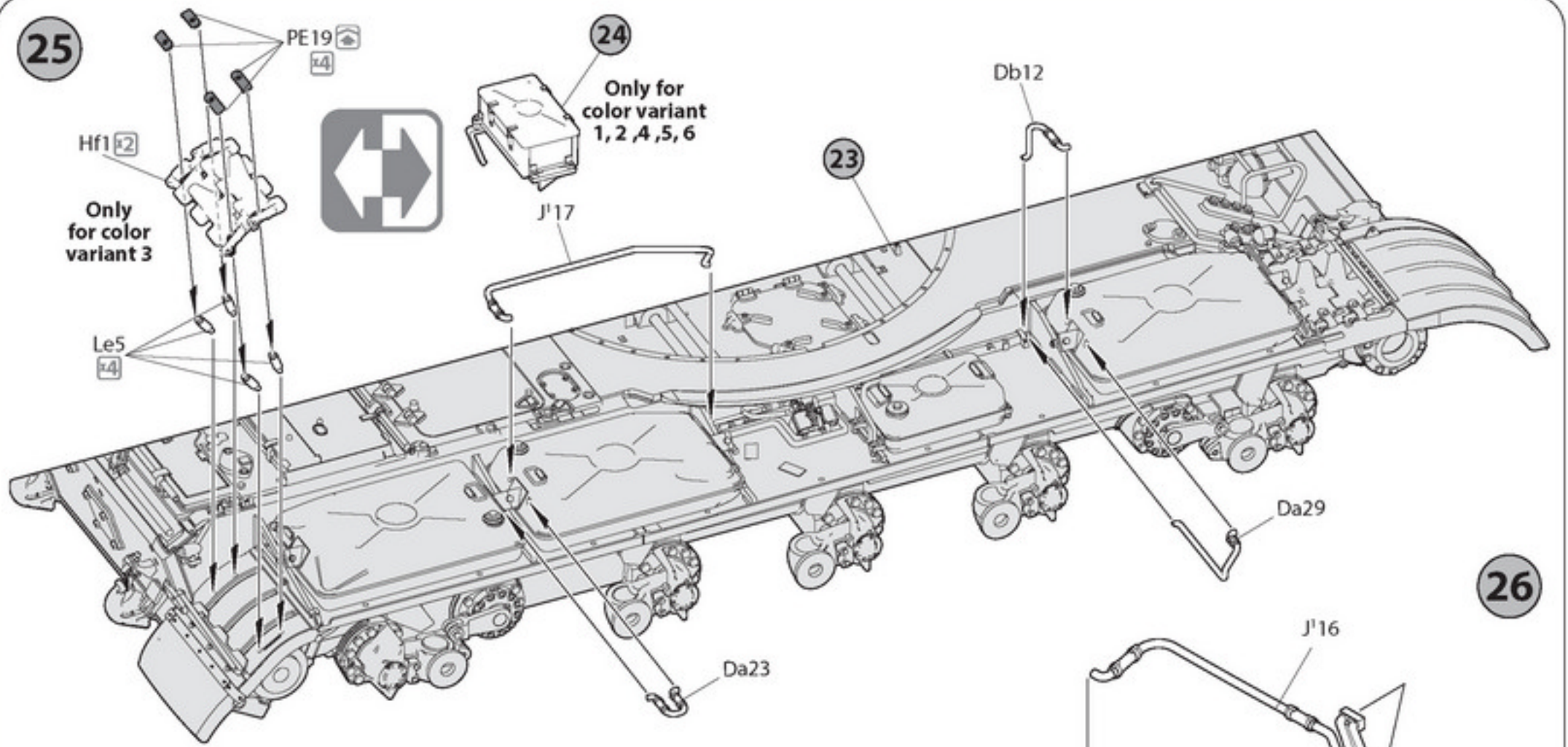


Only for color variant 1, 5

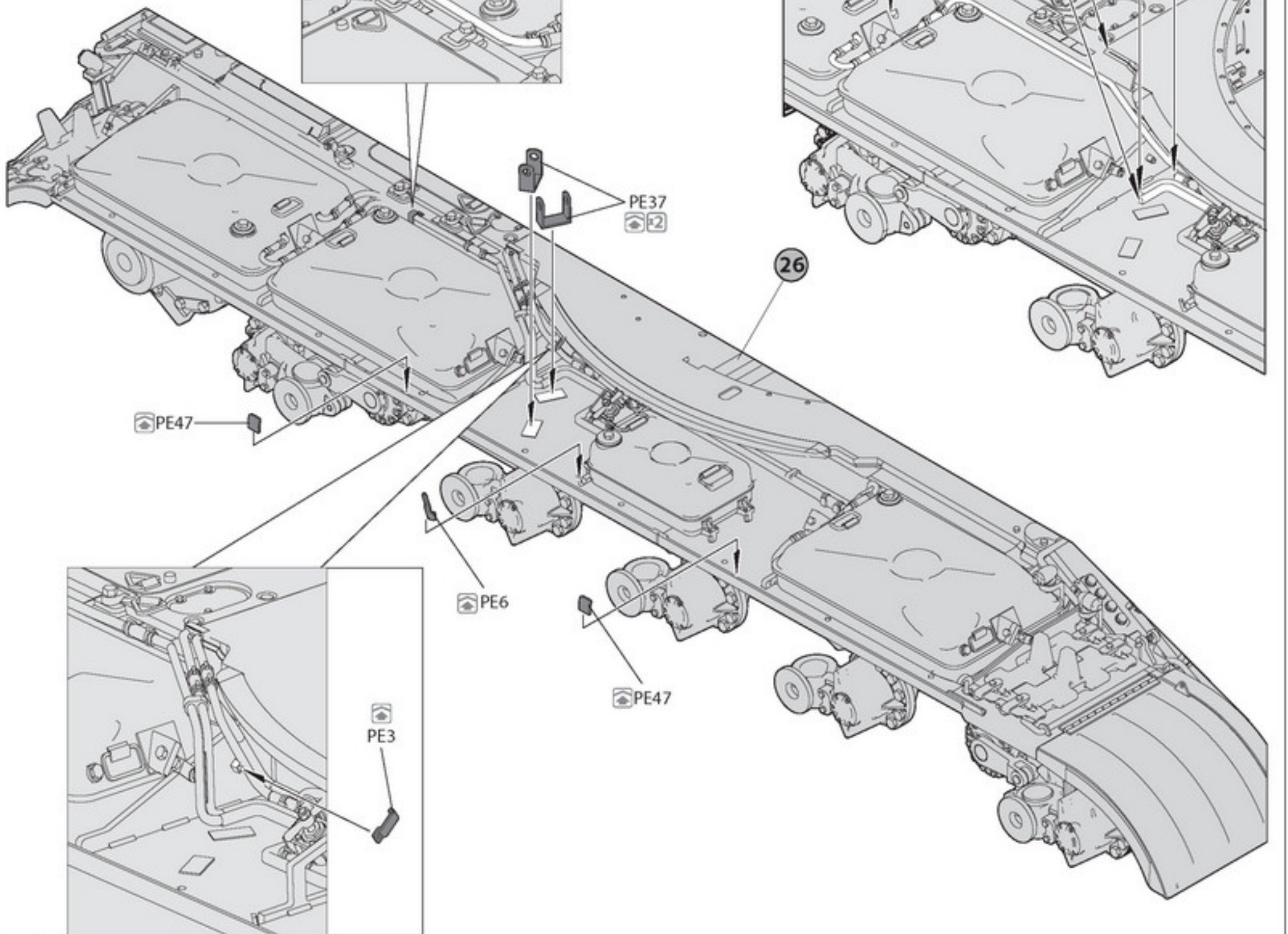
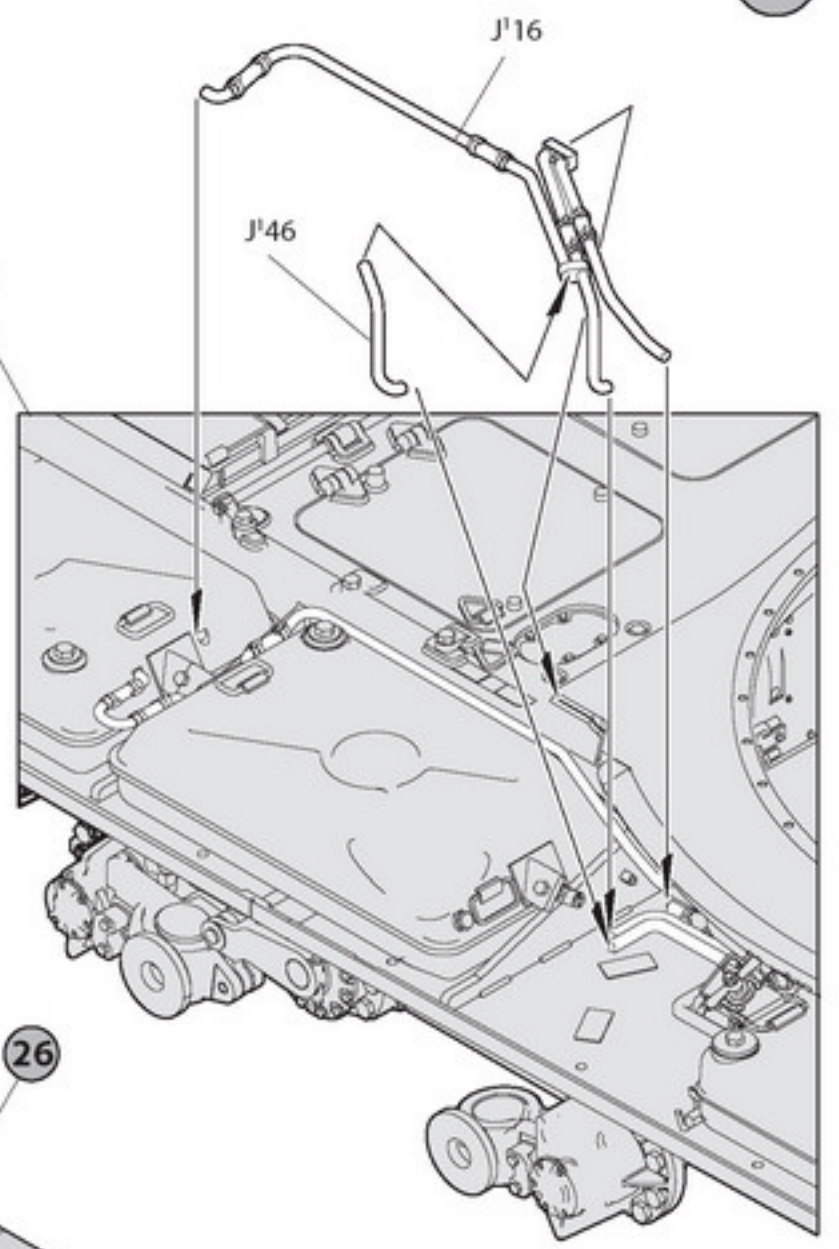
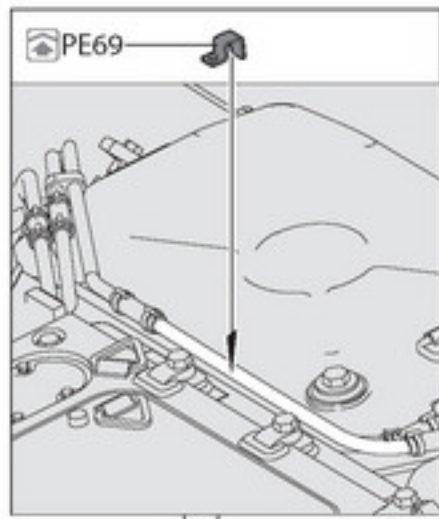
Only for color variant 2, 3, 4, 6

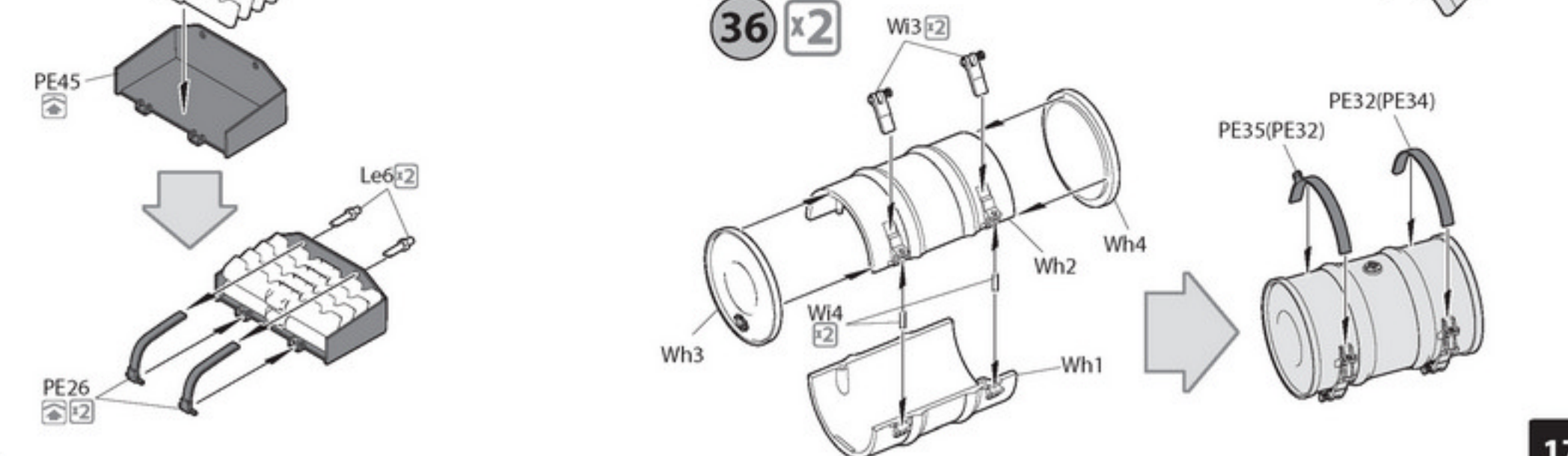
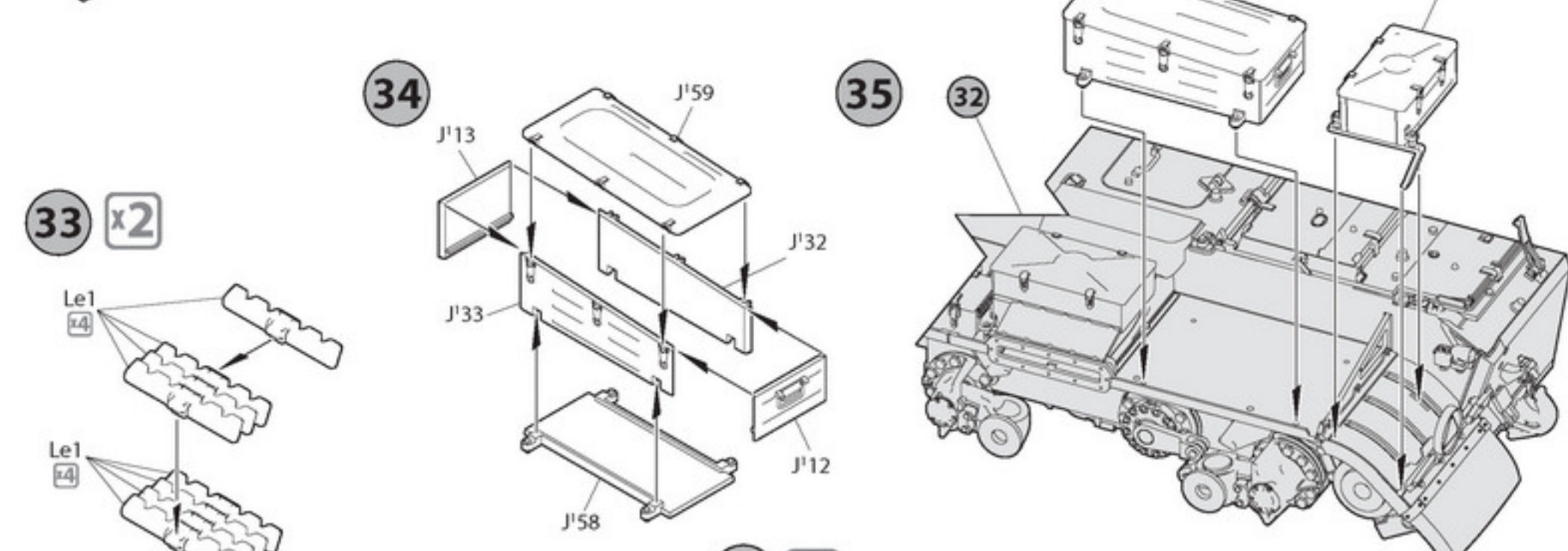
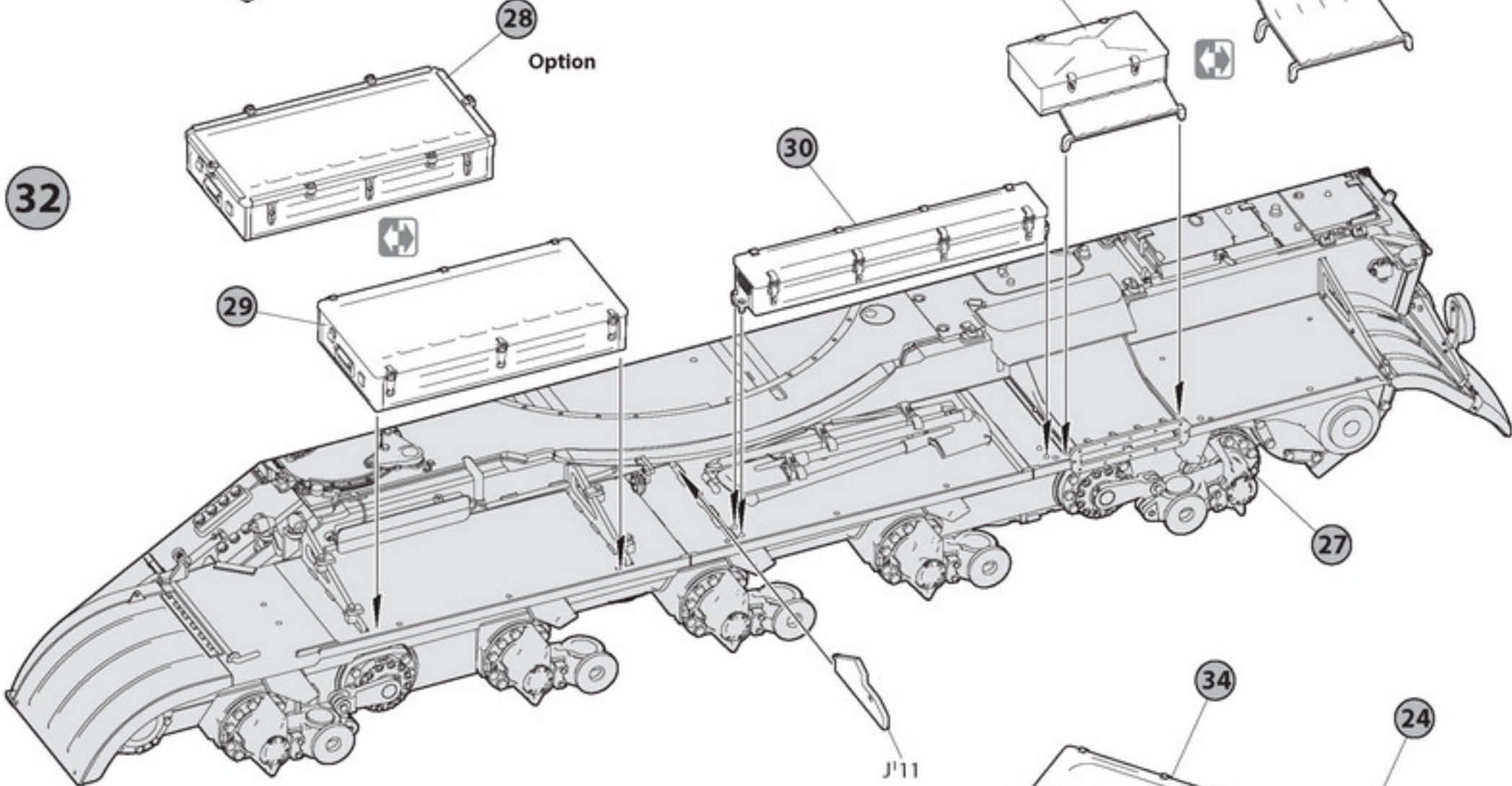
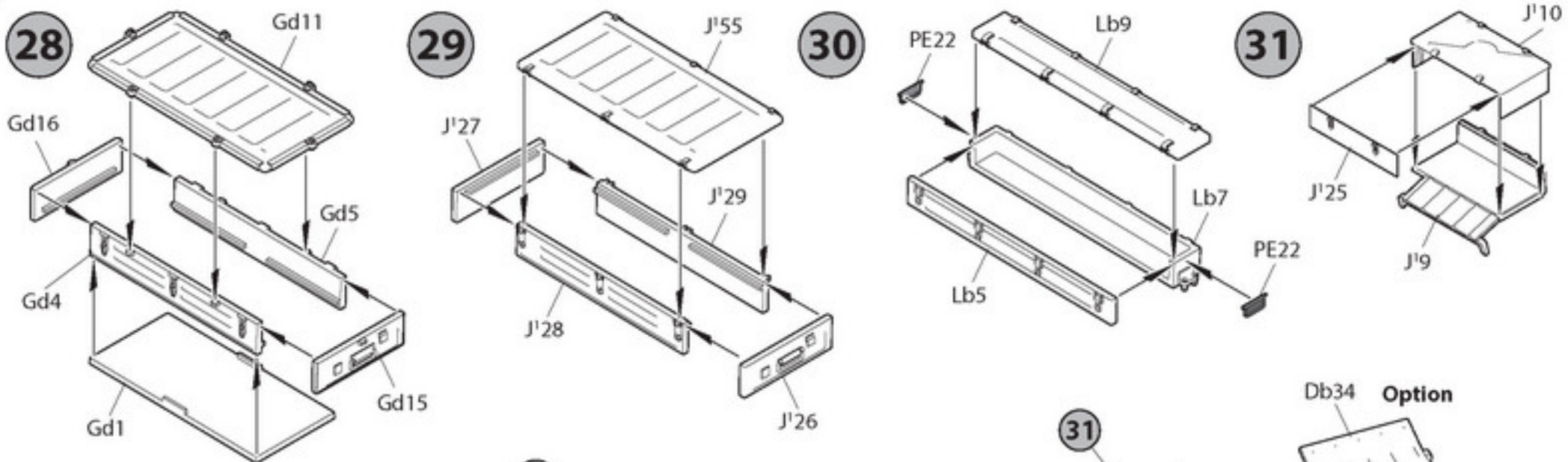


25

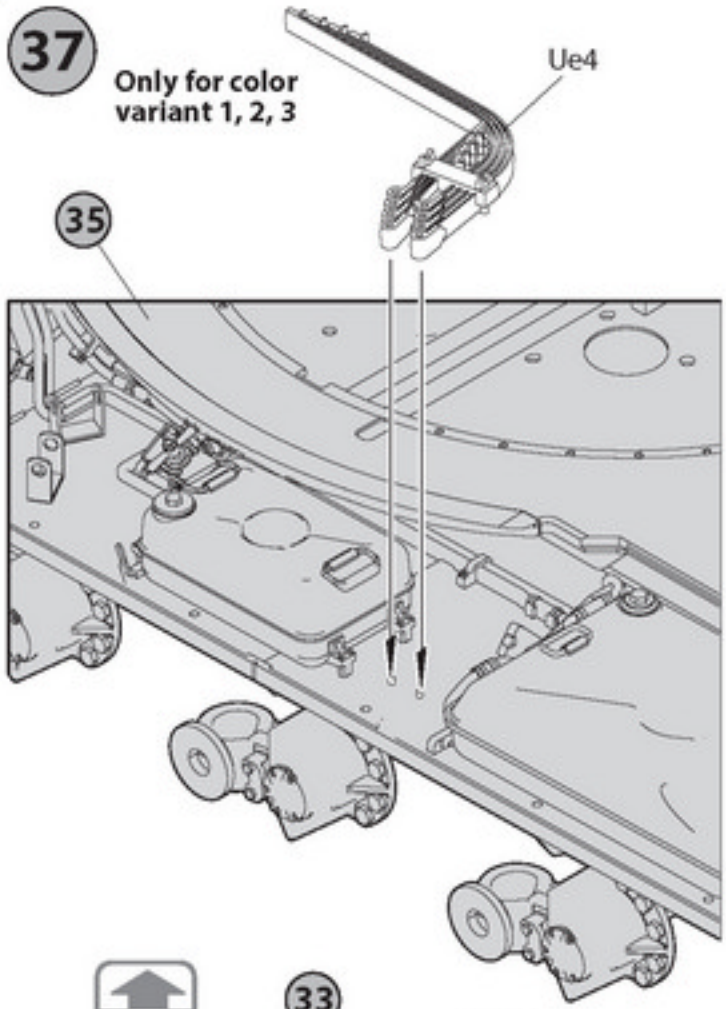


26

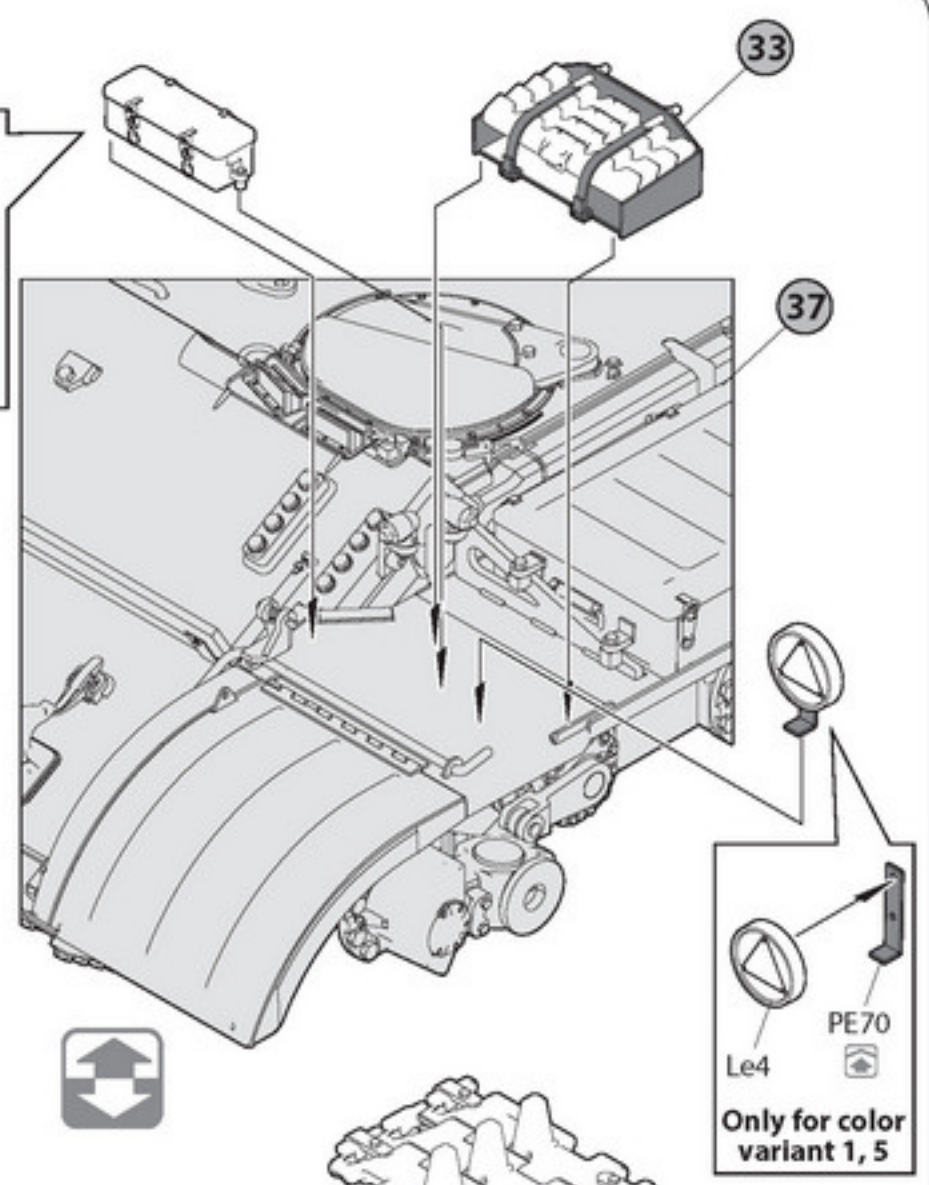
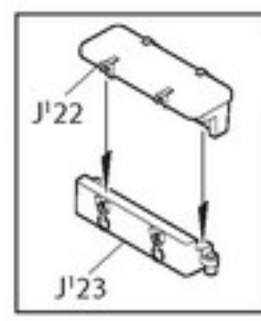




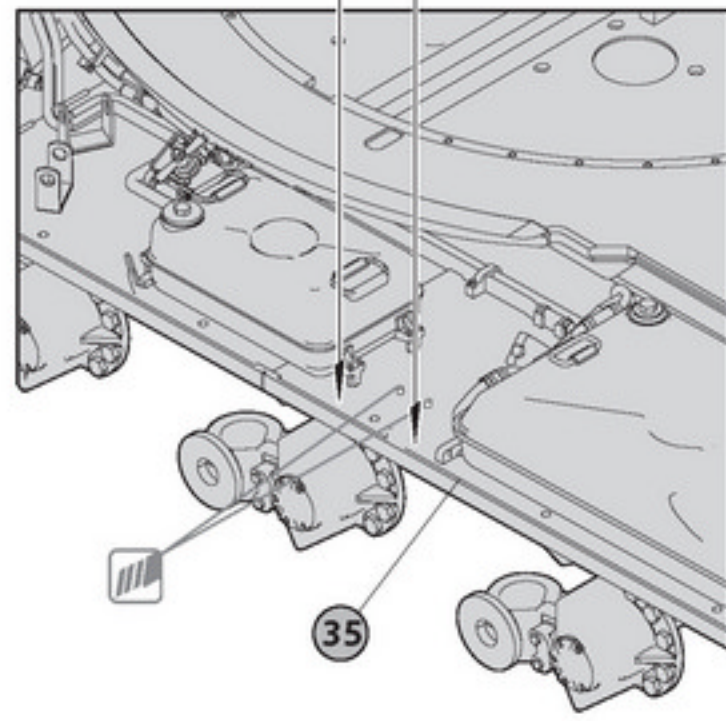
37 Only for color variant 1, 2, 3



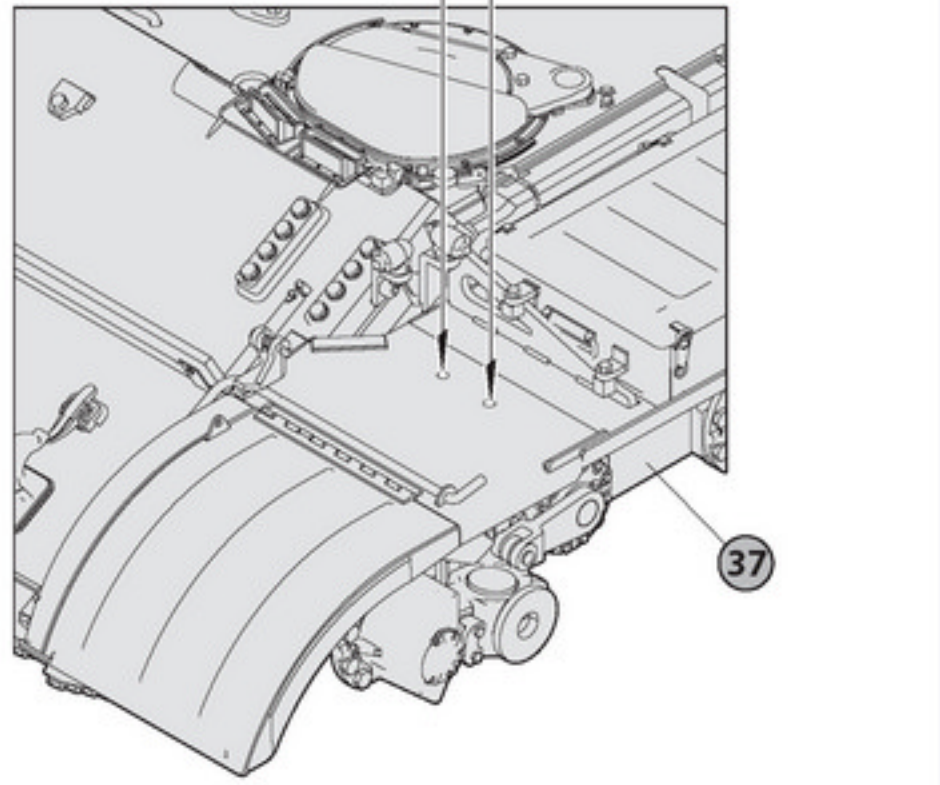
38 Only for color variant 4, 5, 6



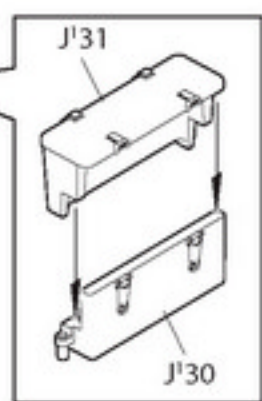
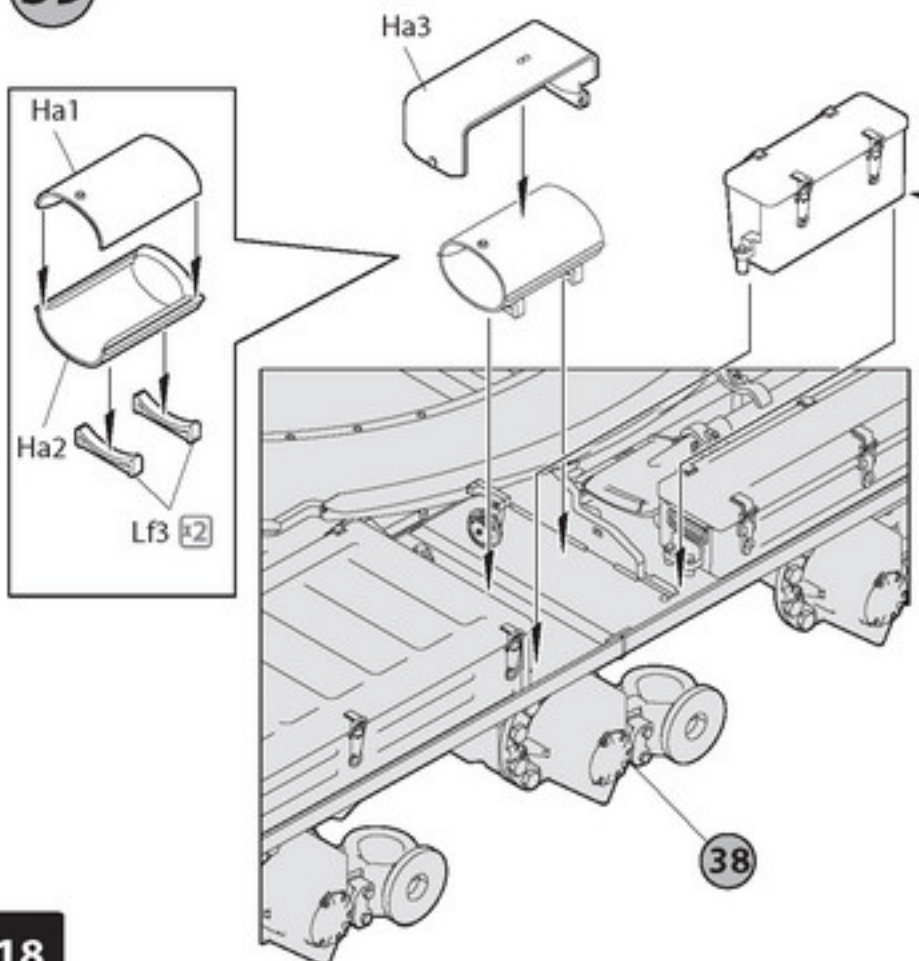
Only for color variant 4, 5, 6



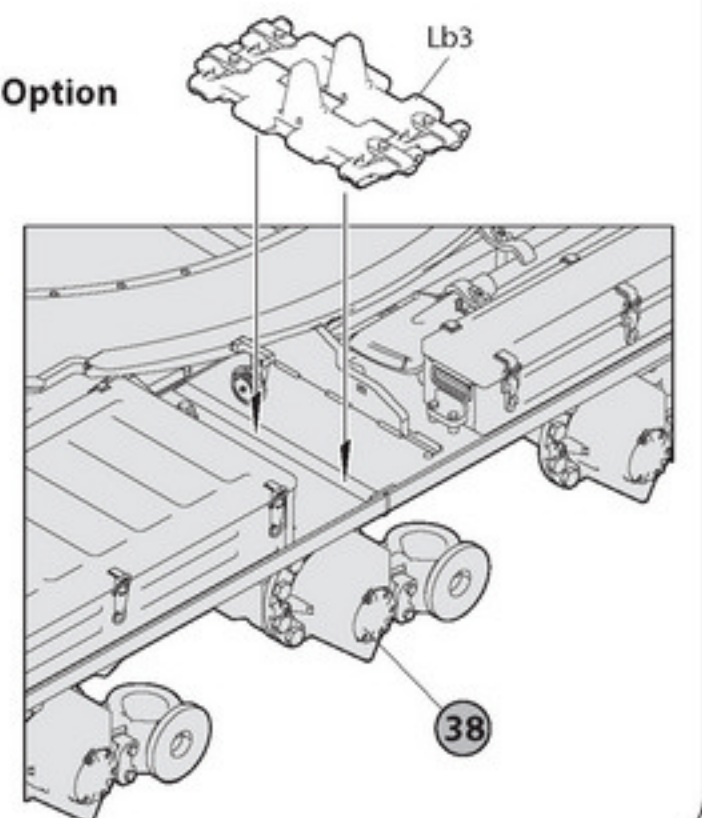
Only for color variant 1, 2, 3

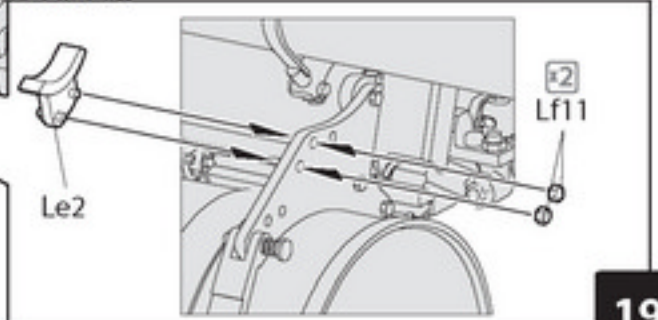
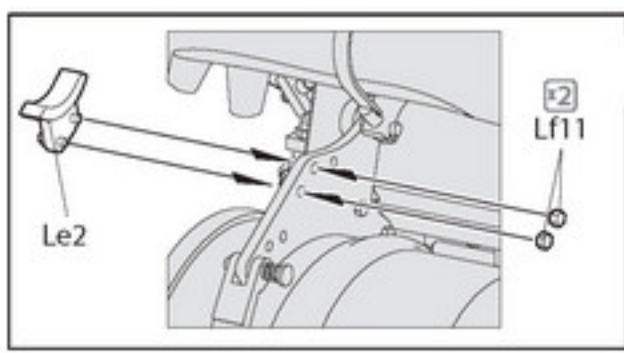
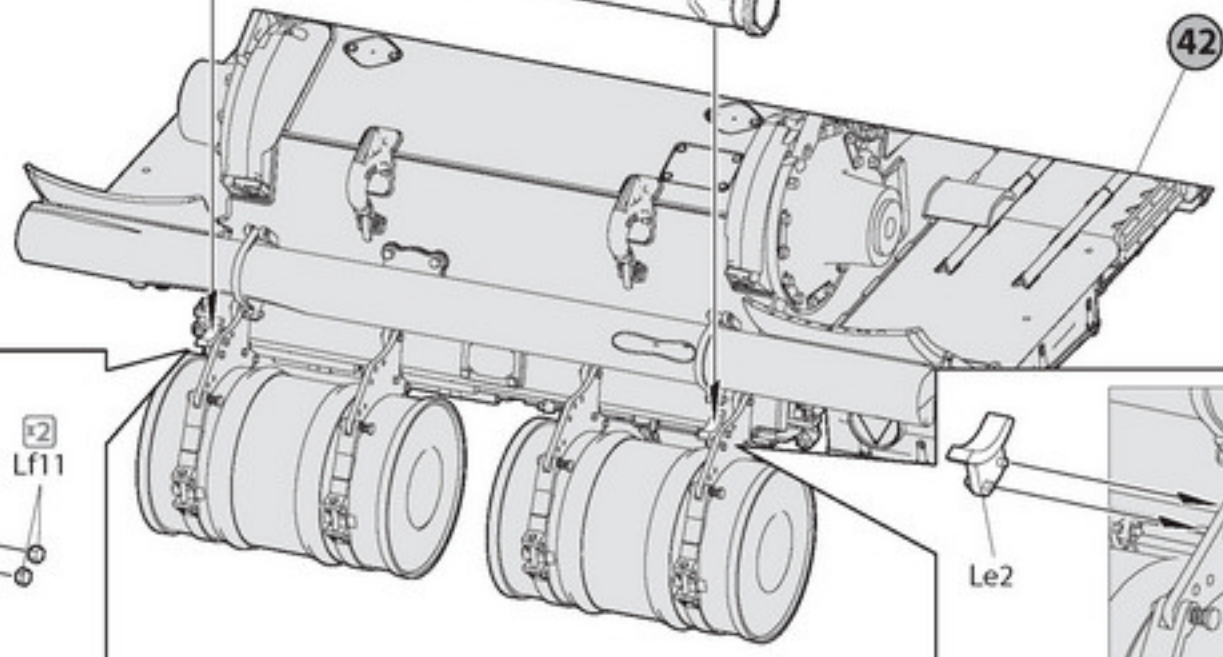
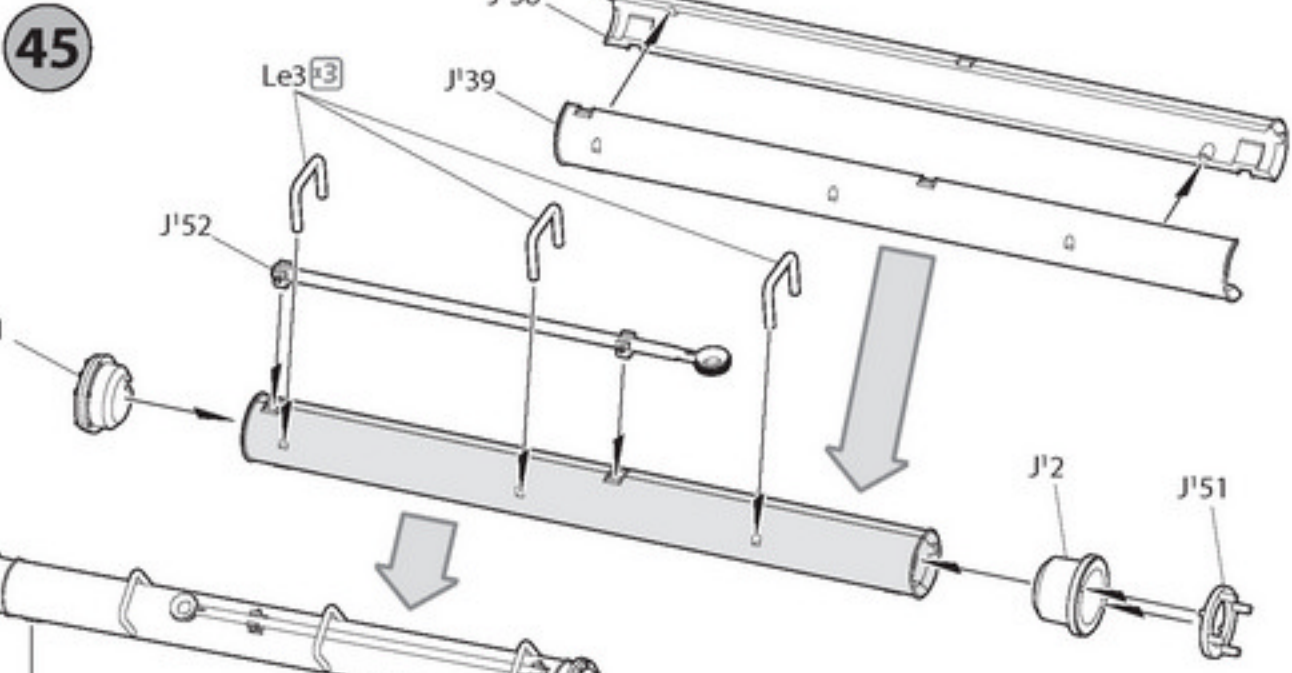
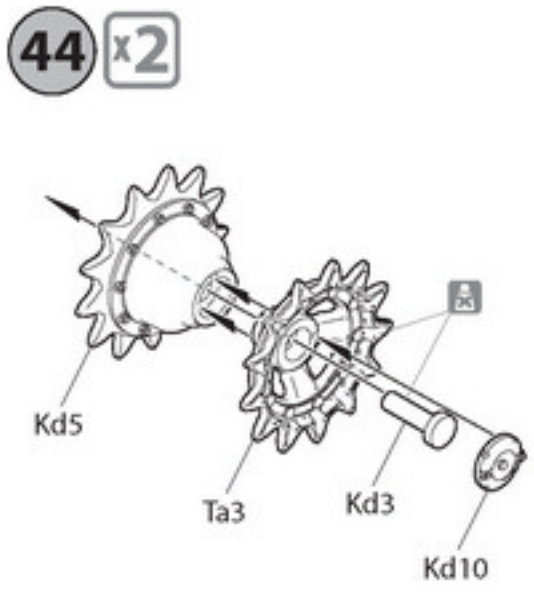
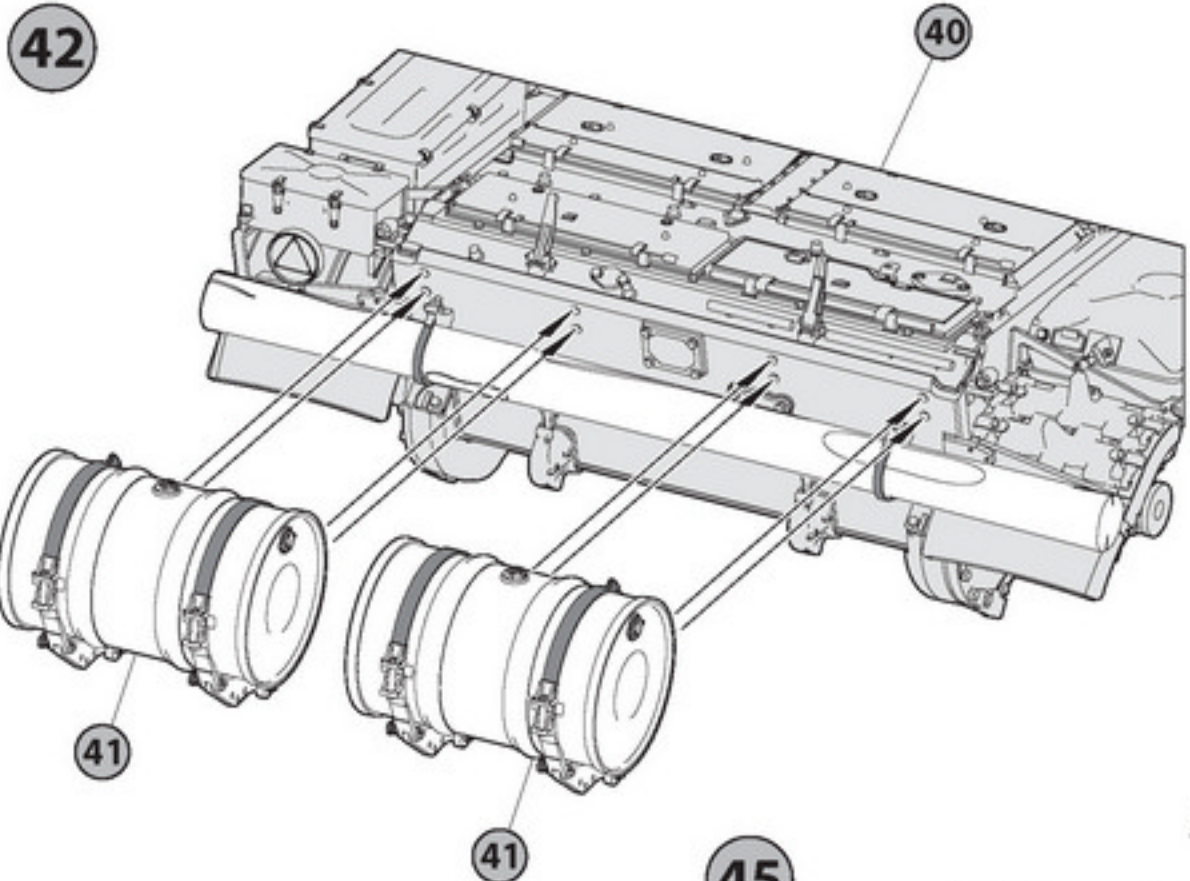
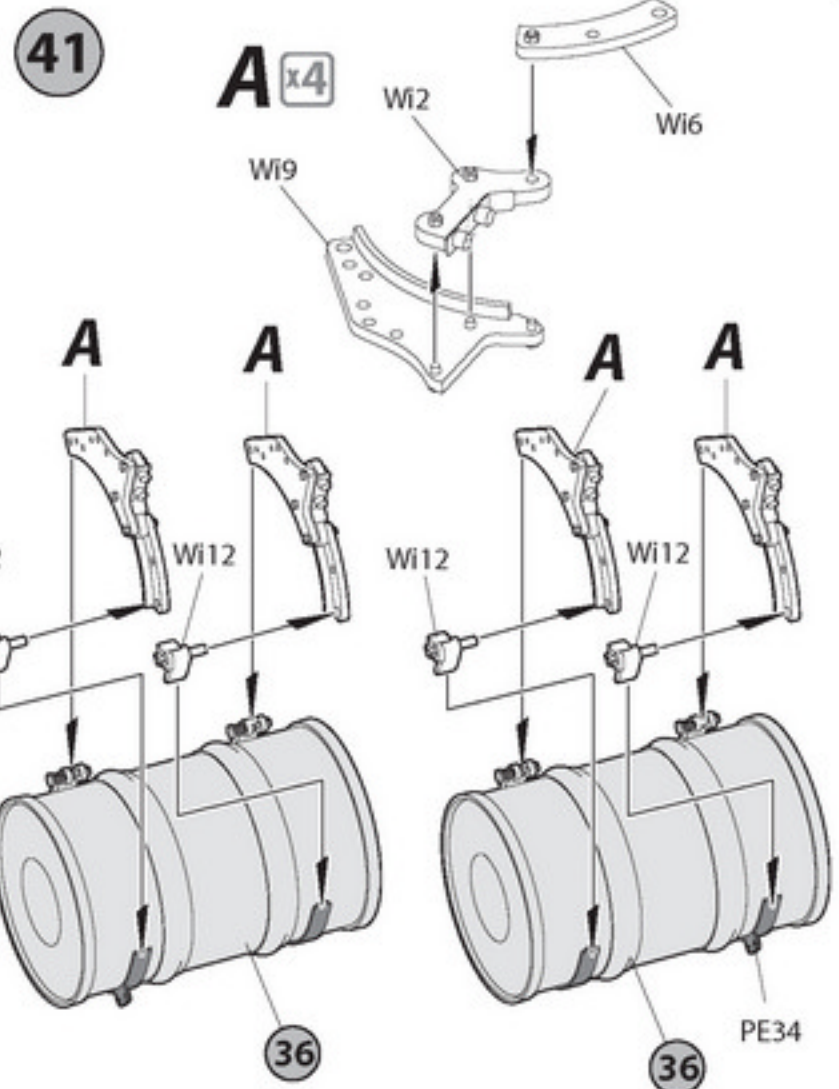
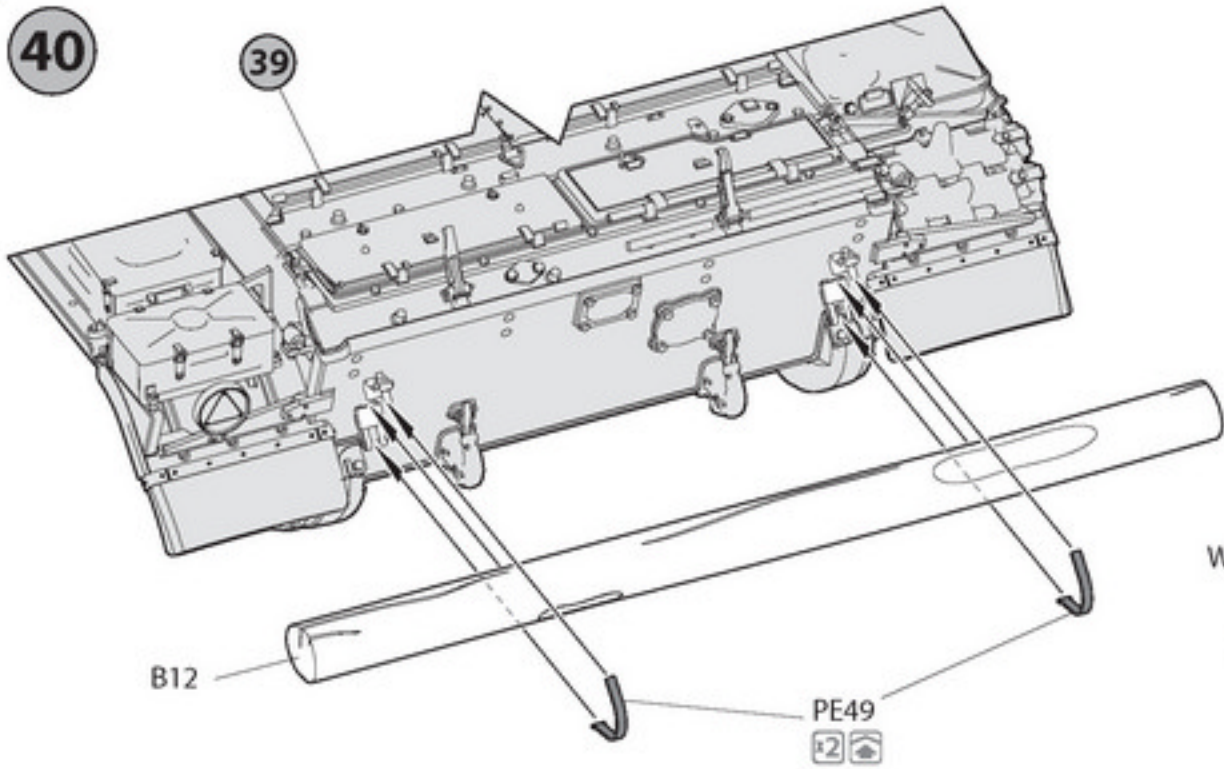


39

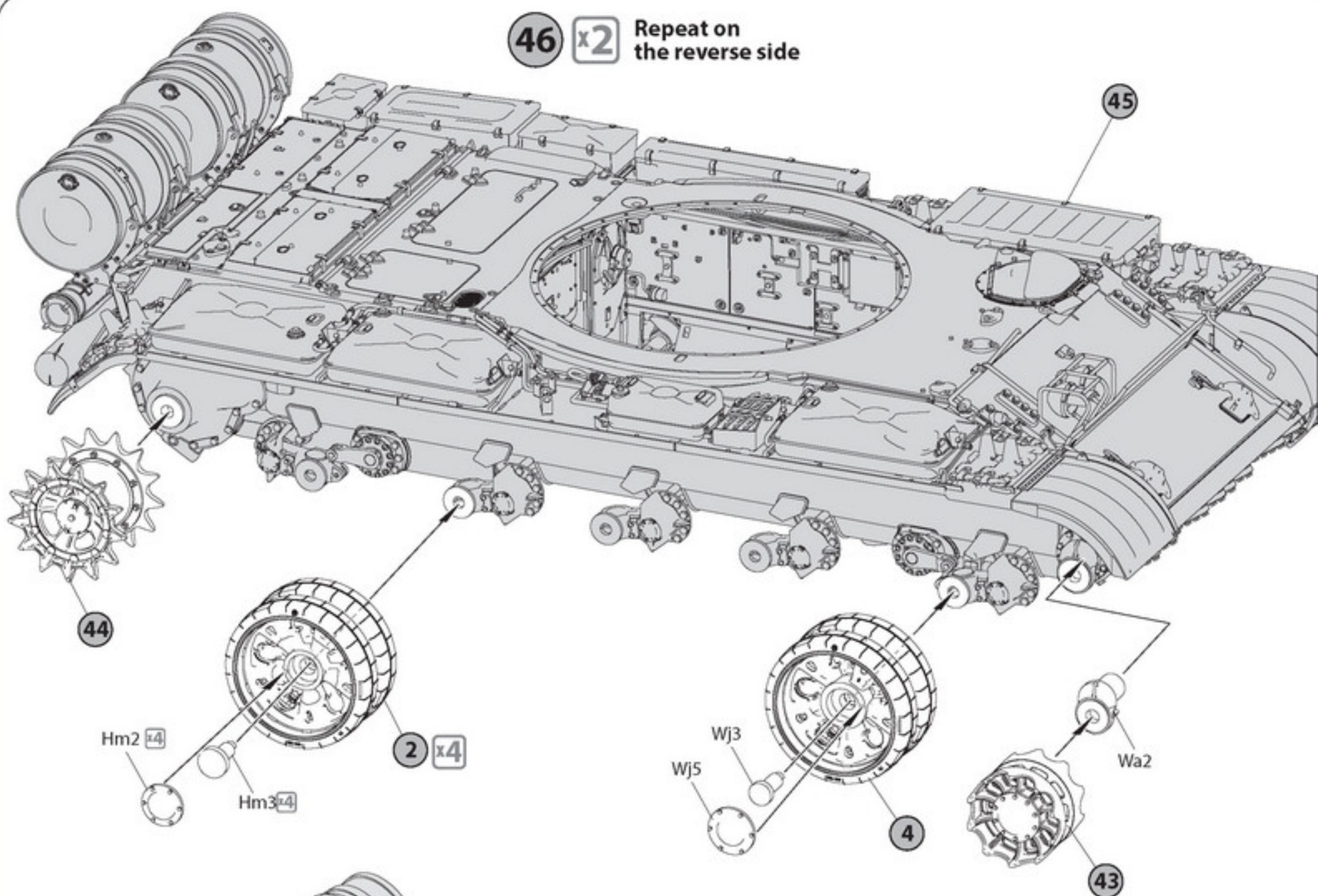


Option

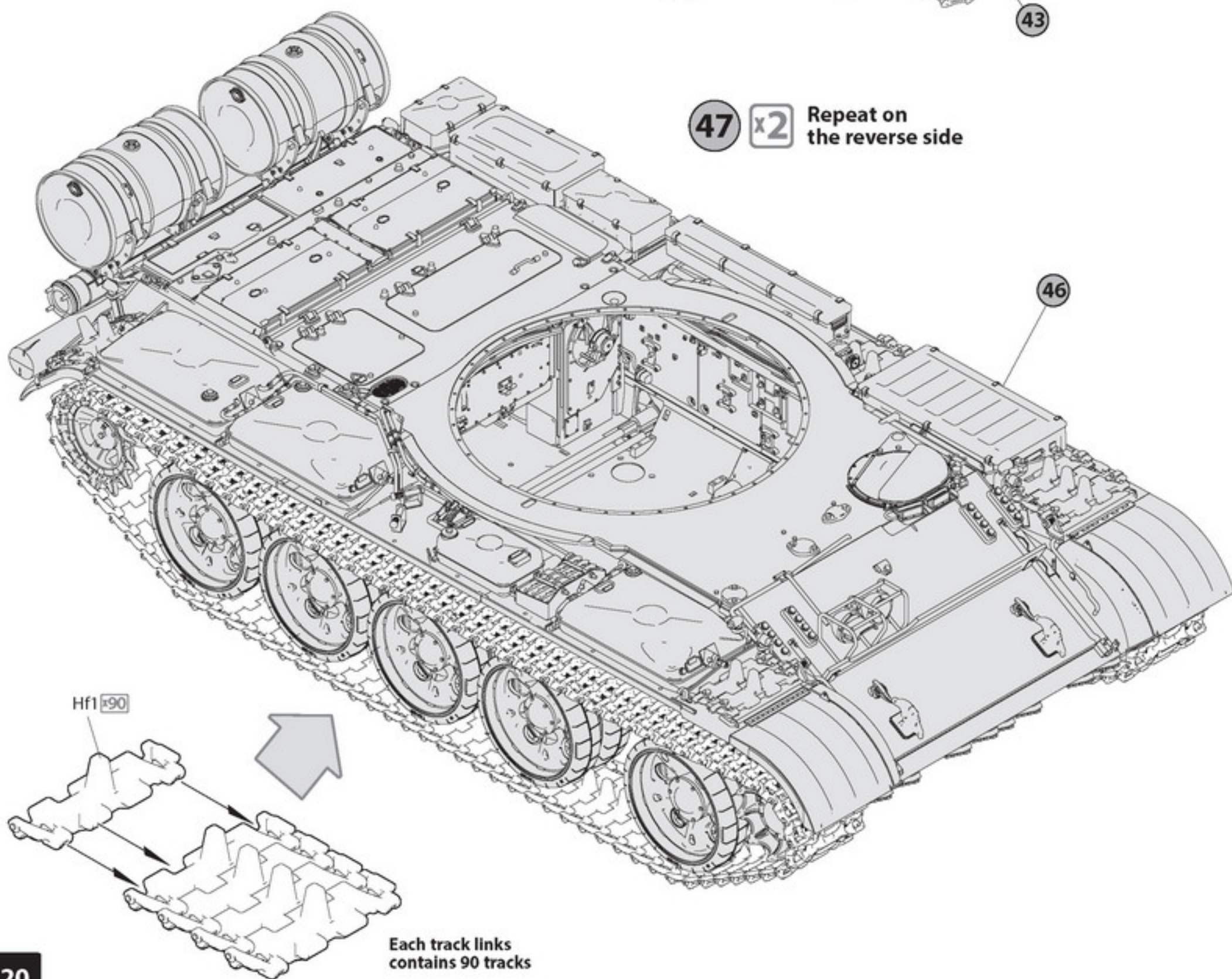




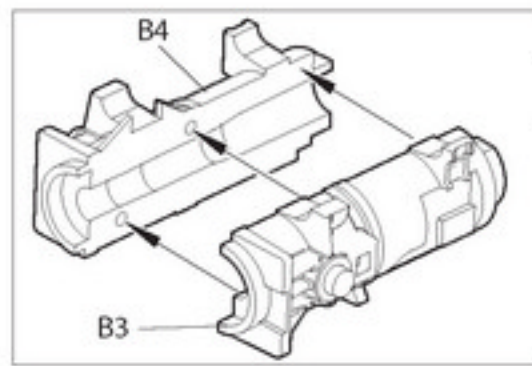
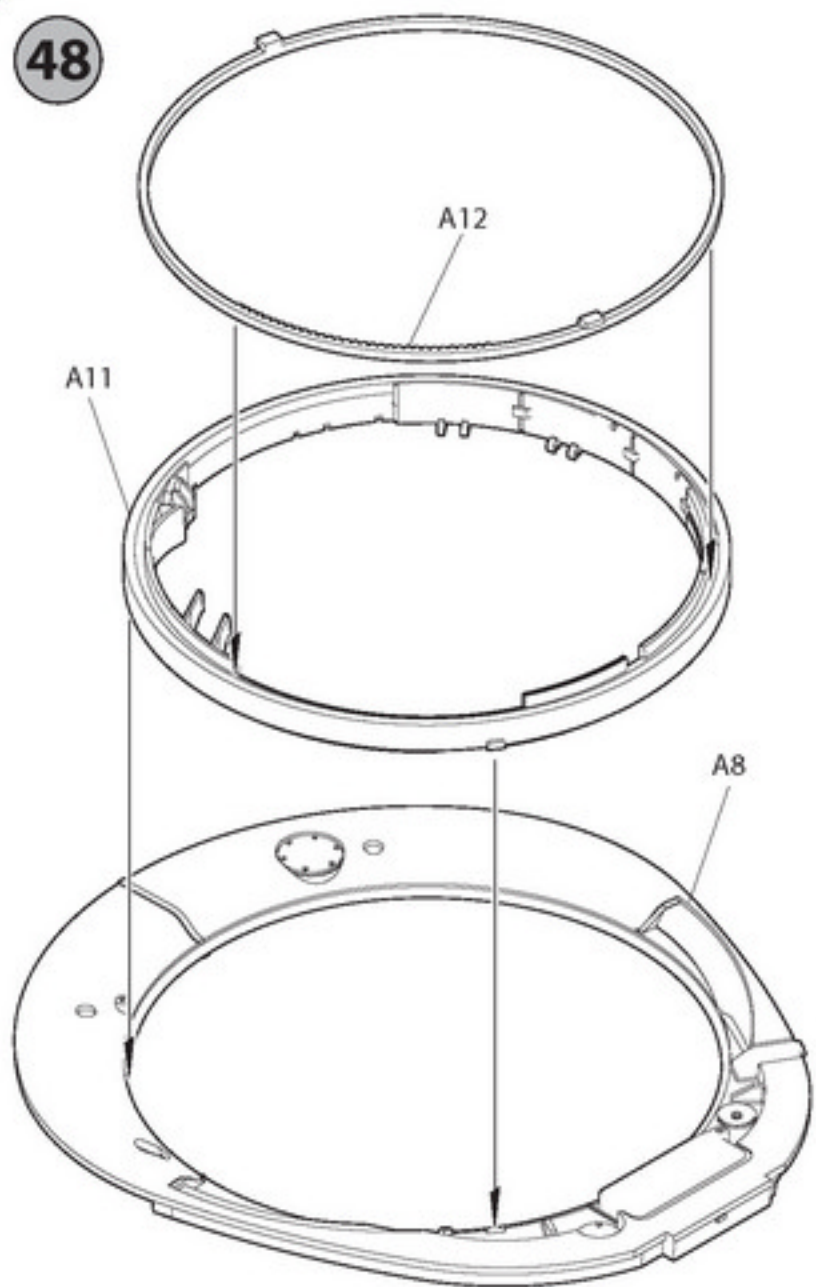
46 x2 Repeat on the reverse side



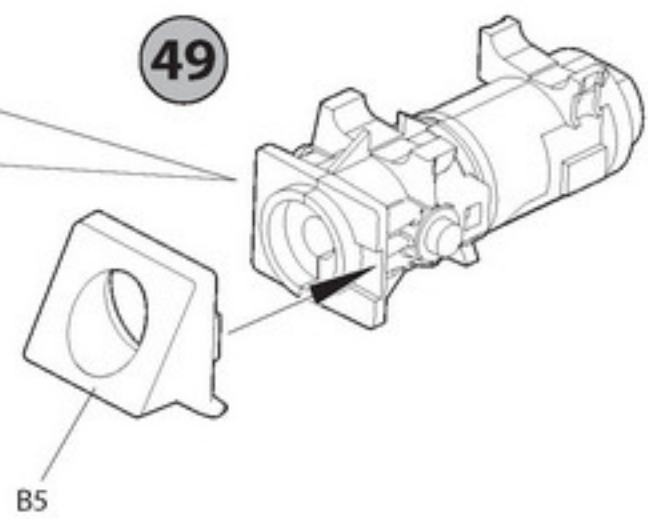
47 x2 Repeat on the reverse side



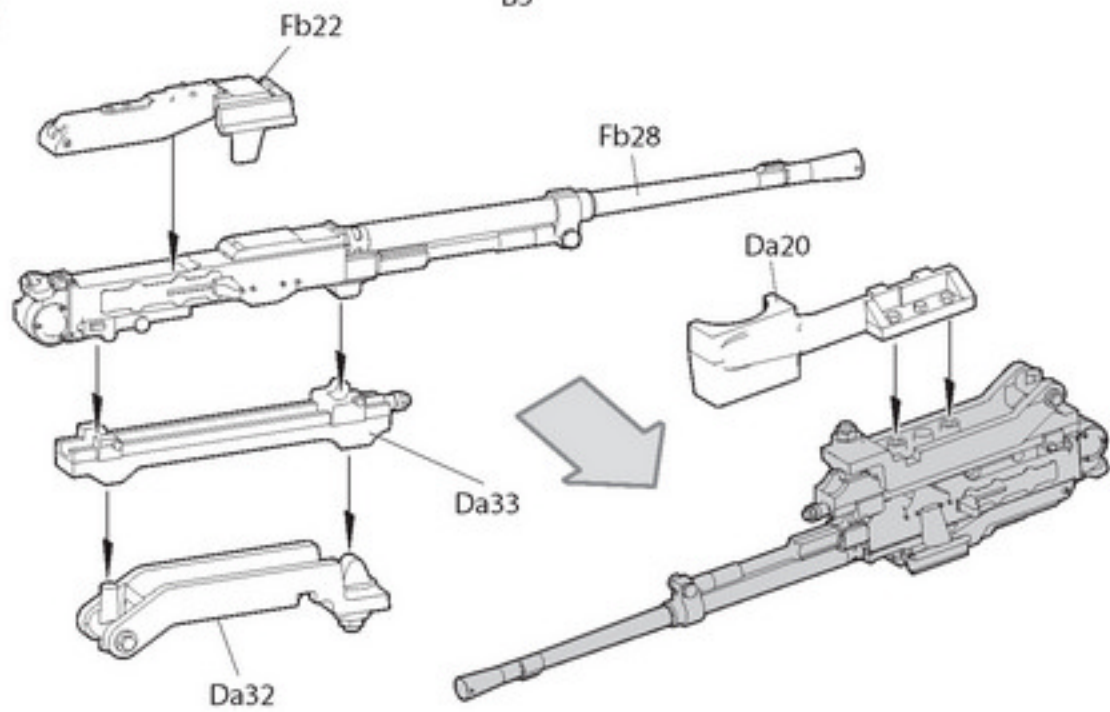
48



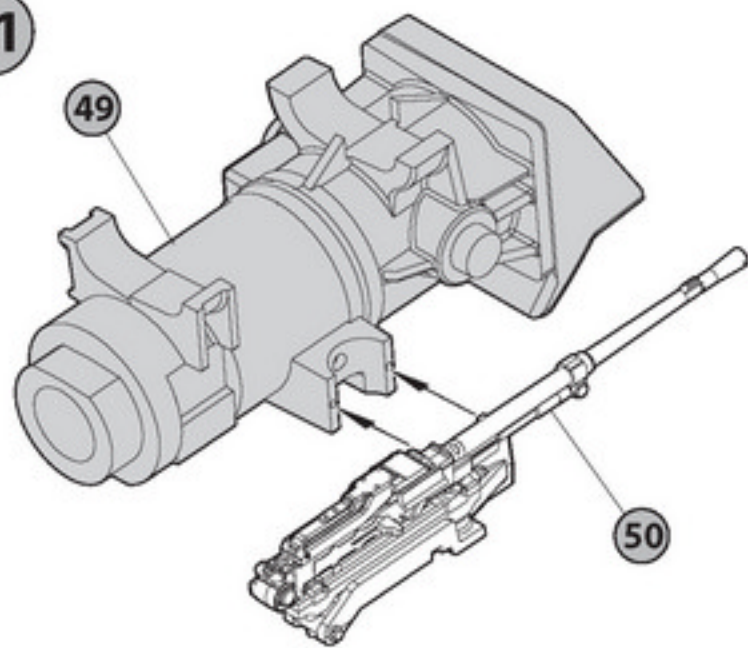
49



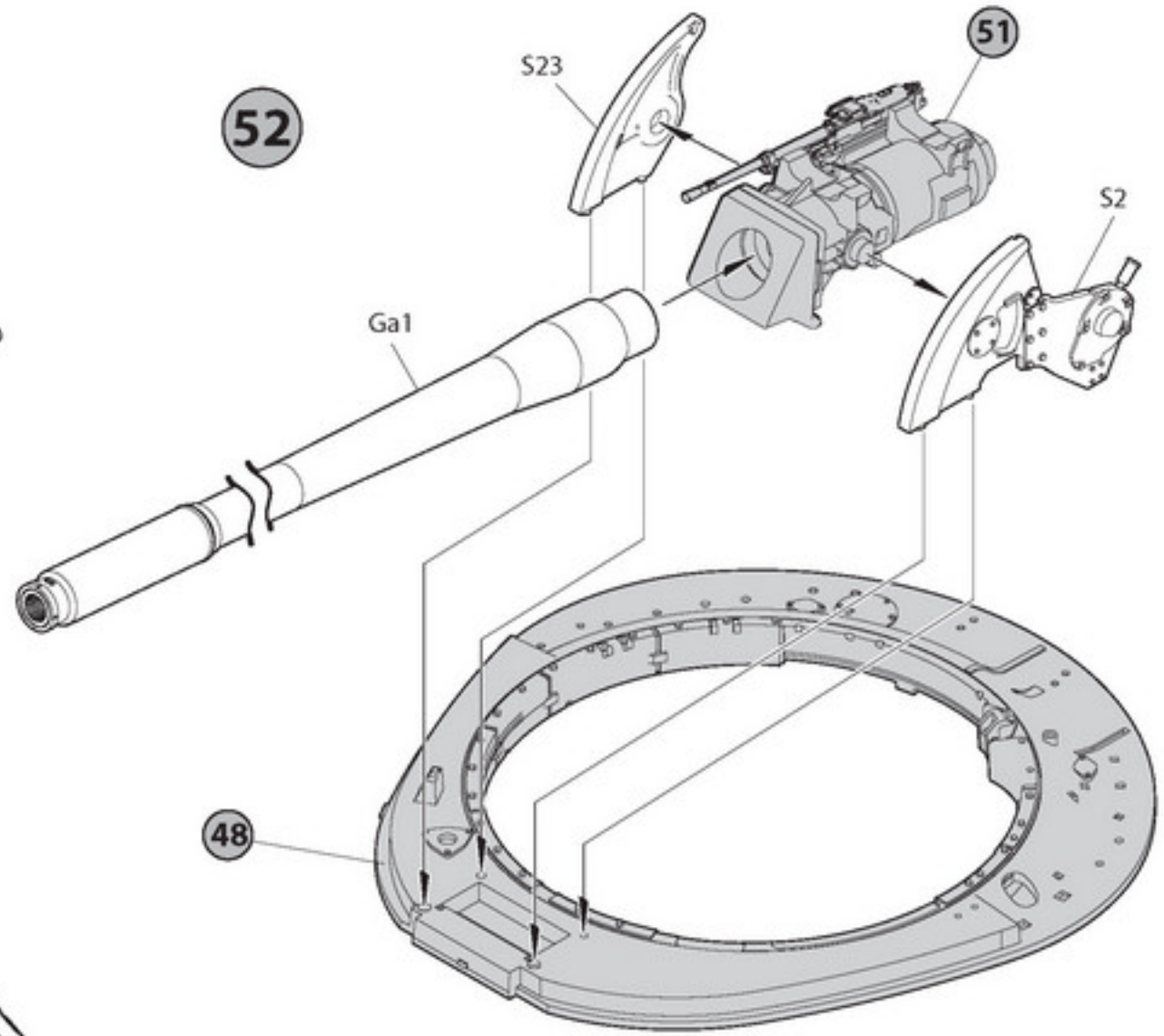
50



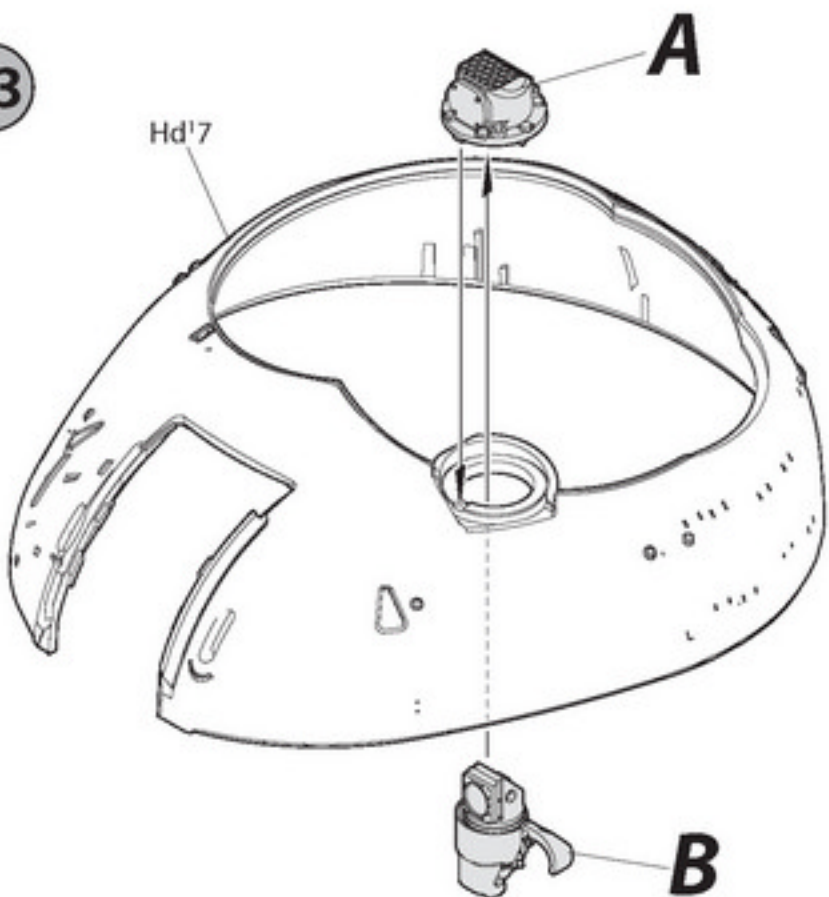
51



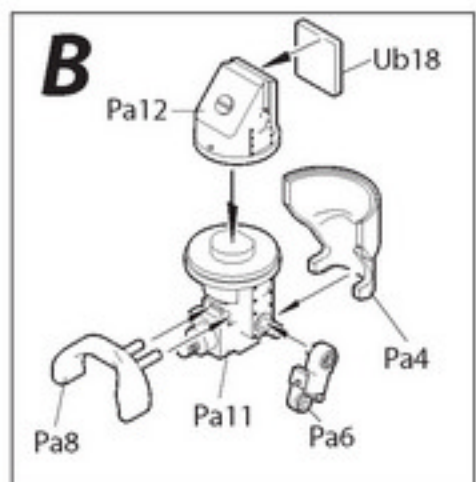
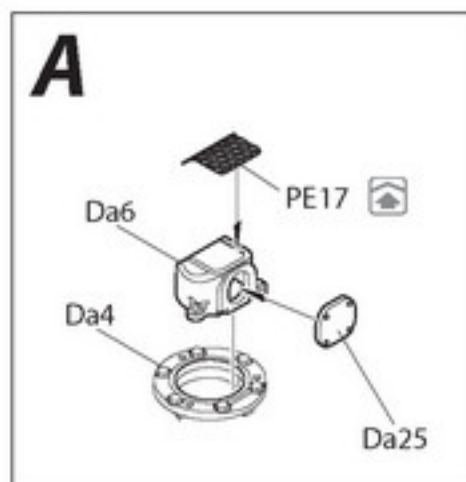
52



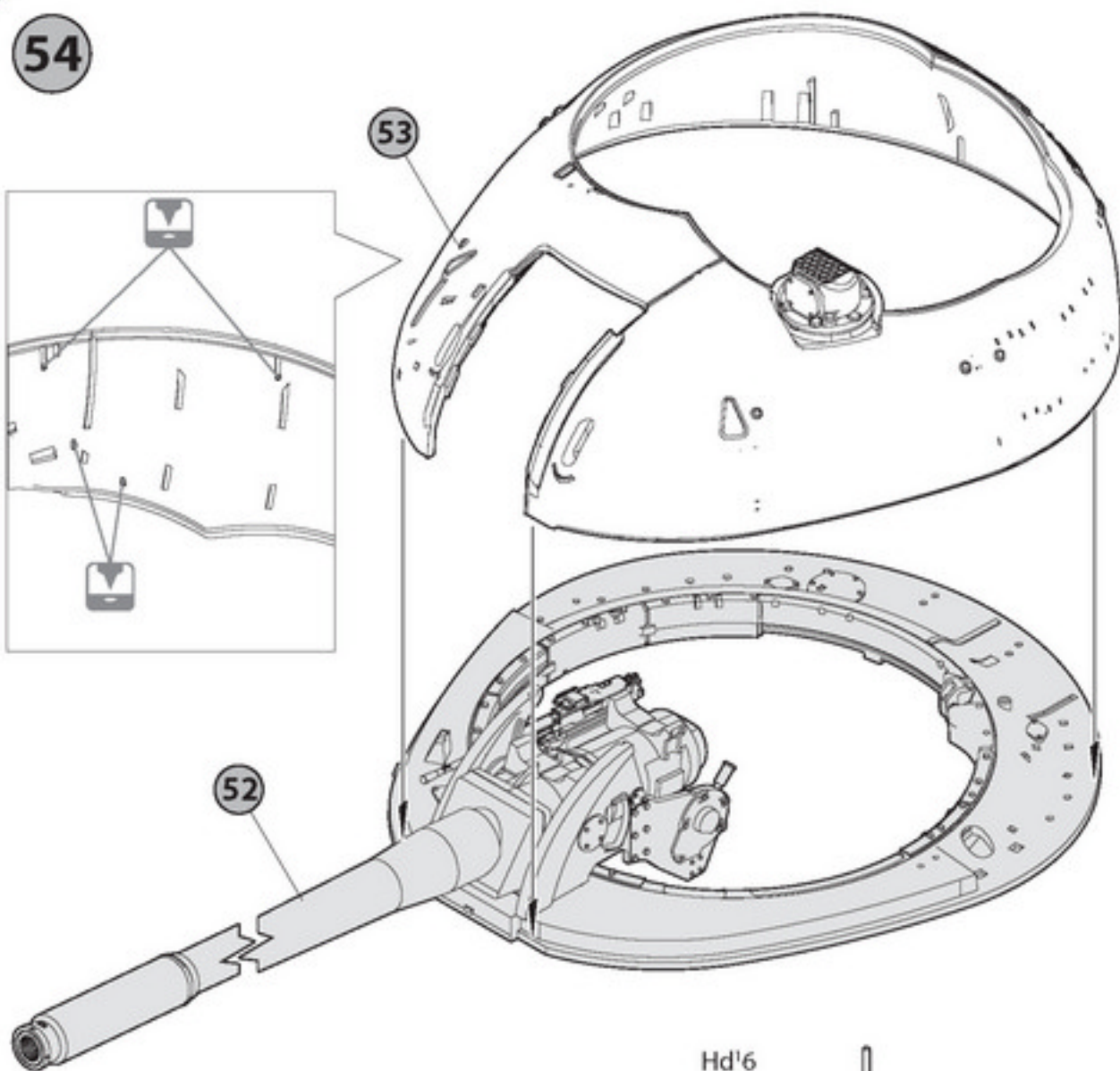
53



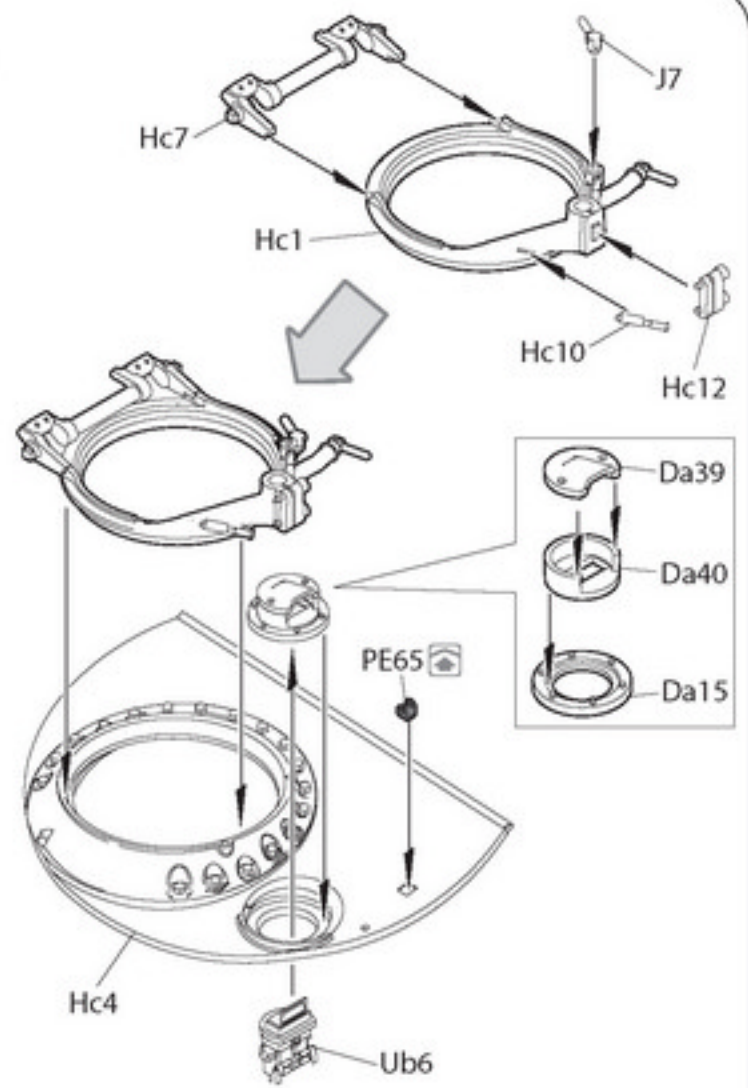
48



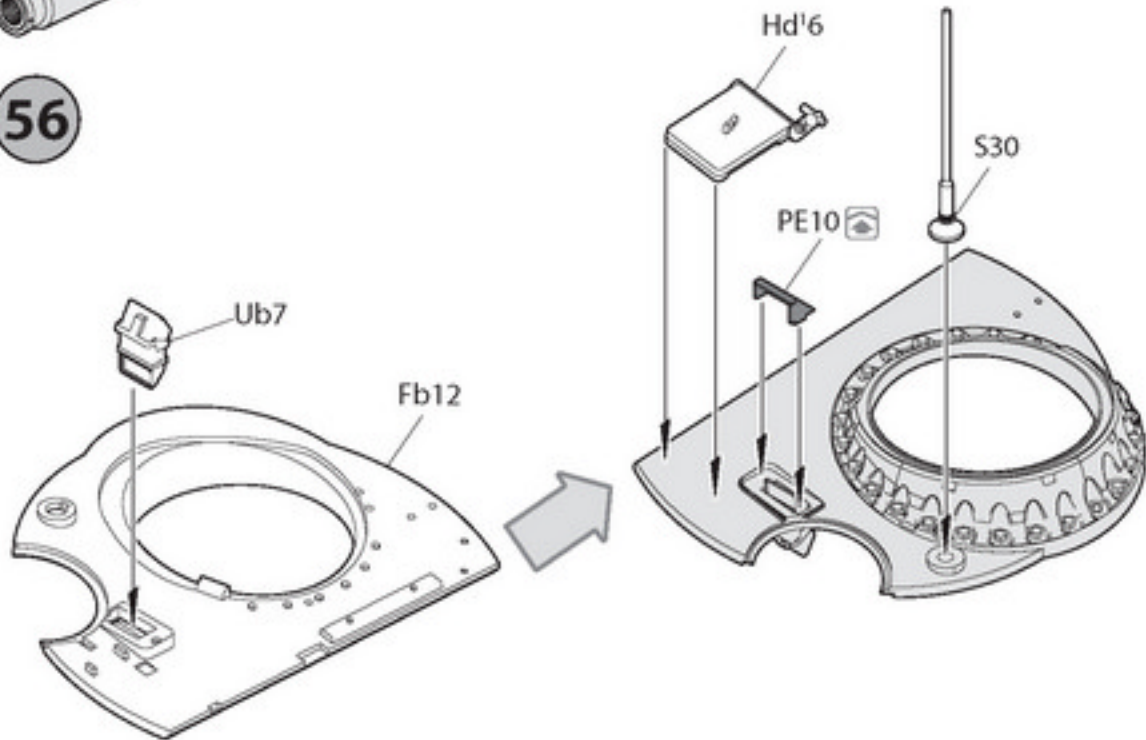
54



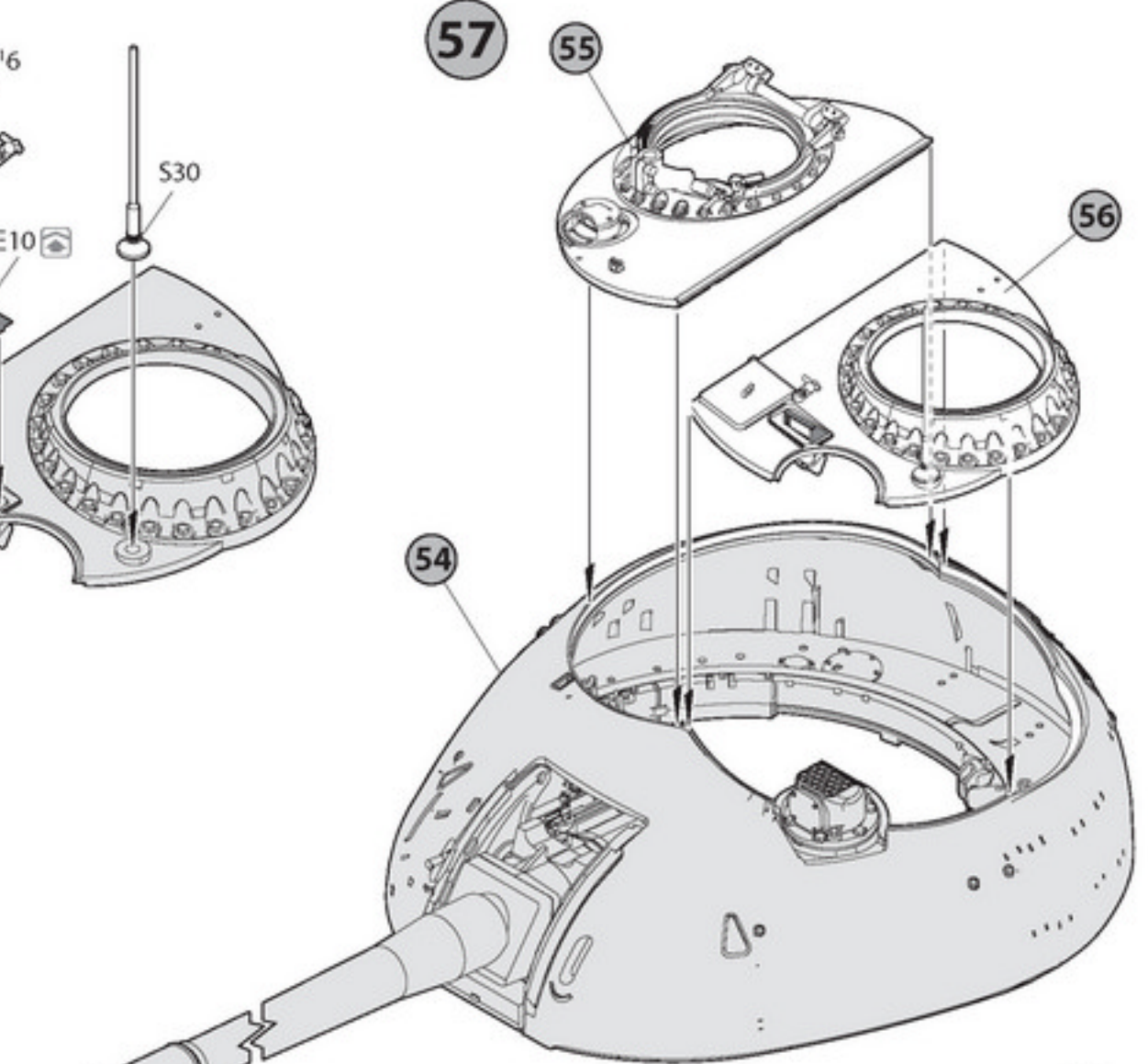
55



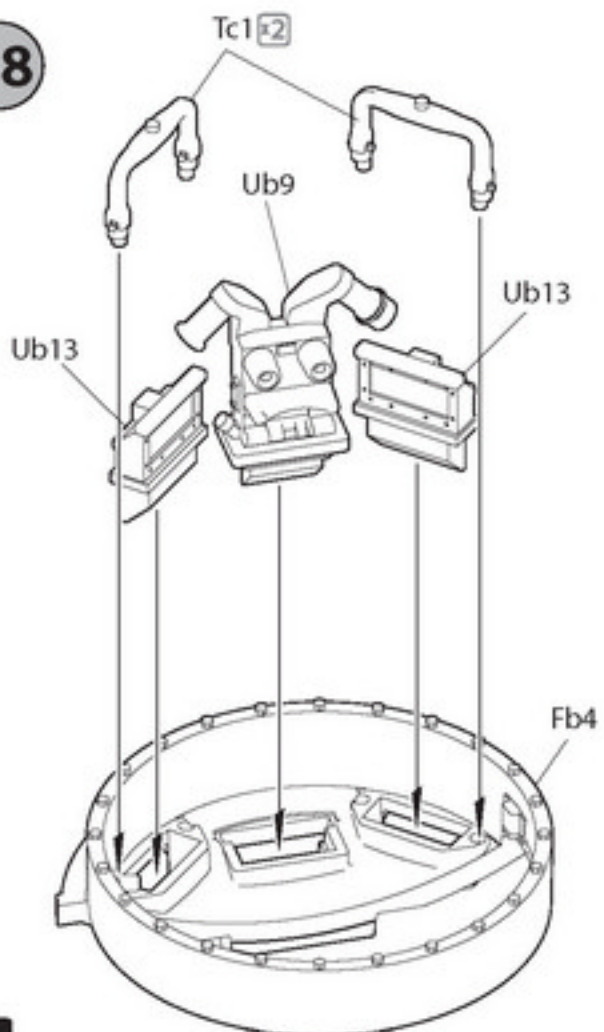
56



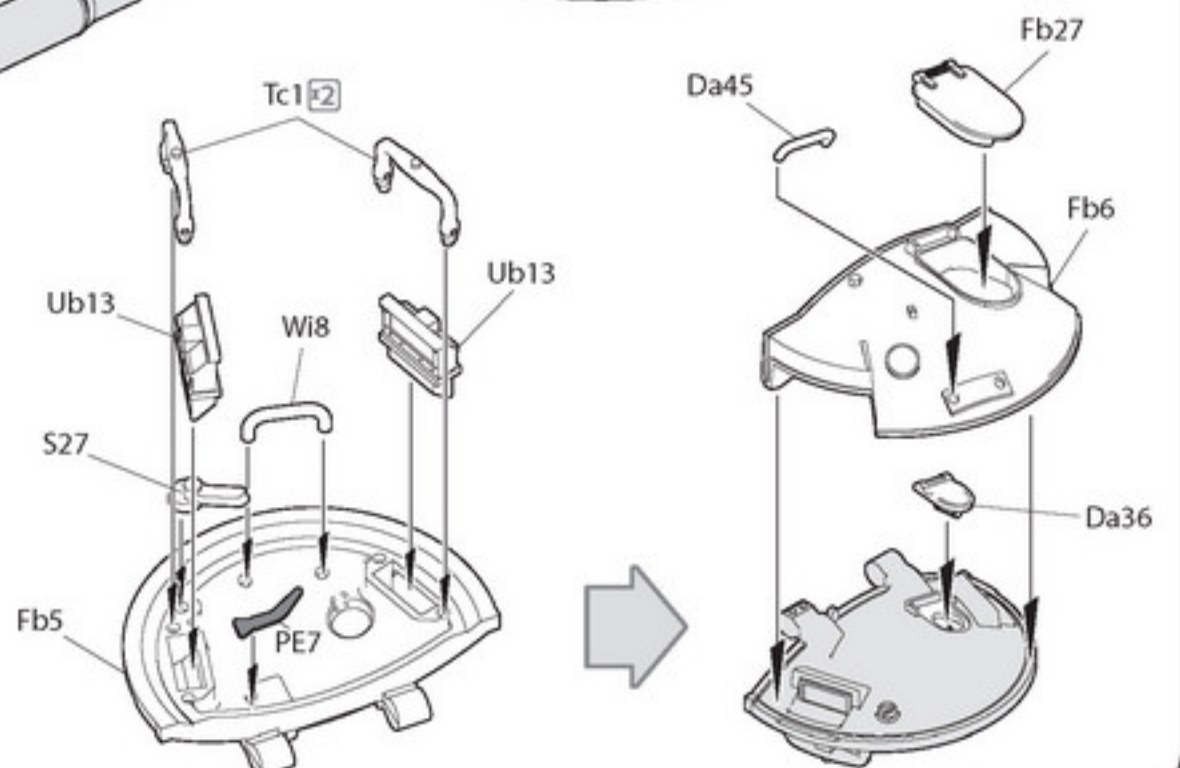
57



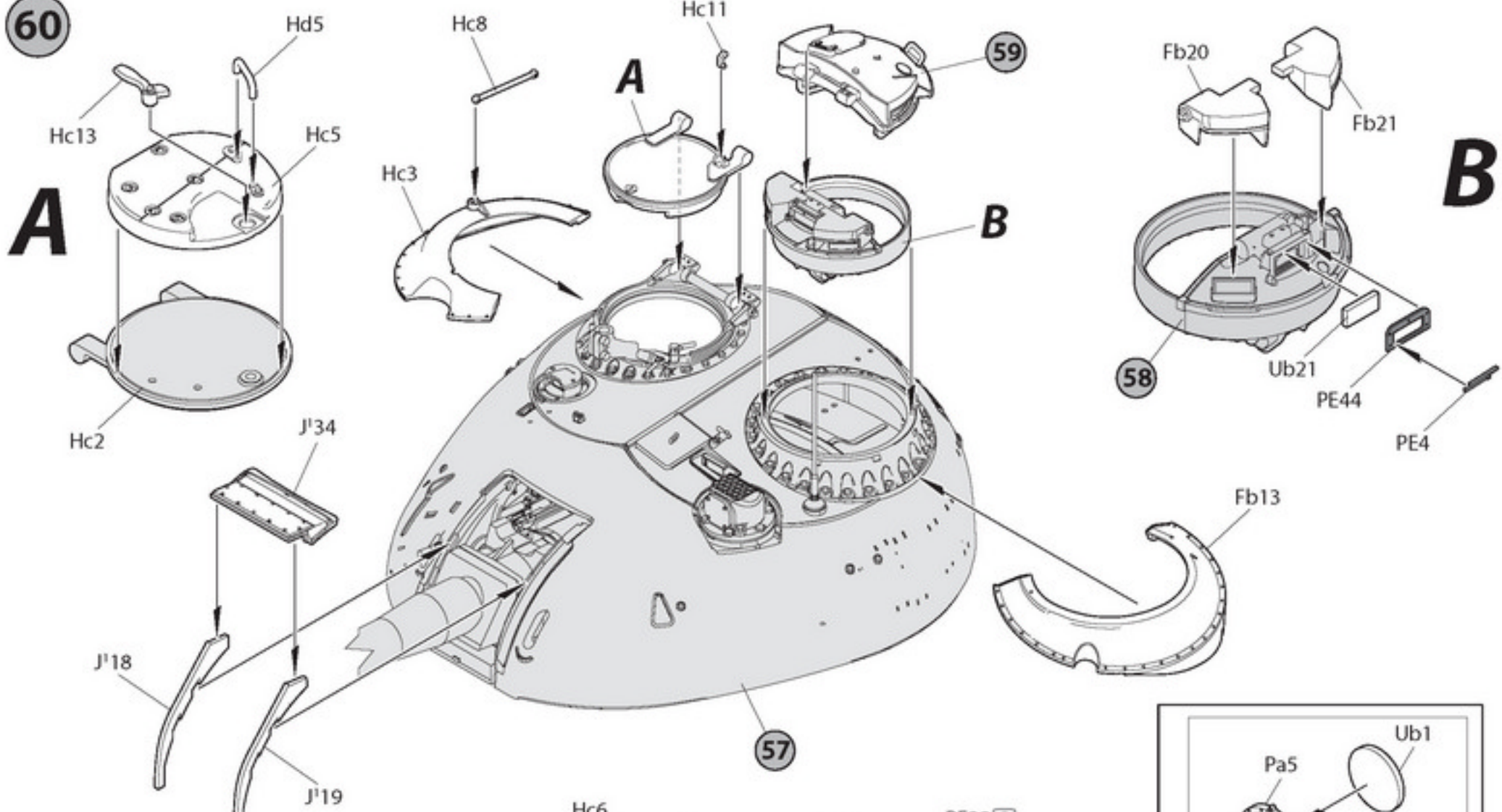
58



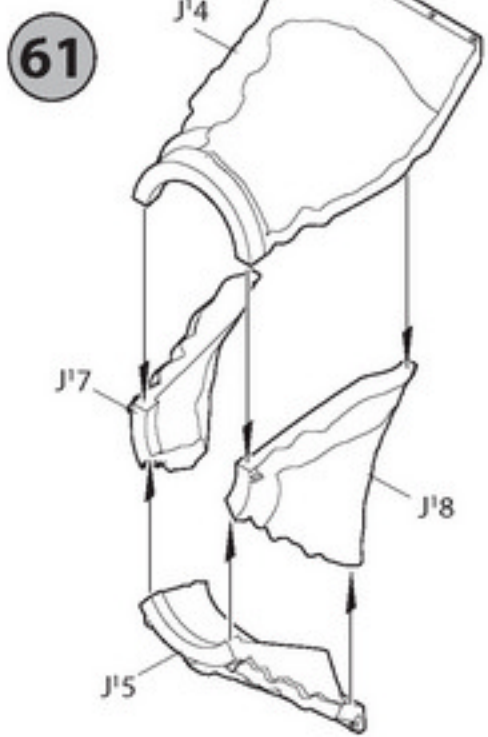
59



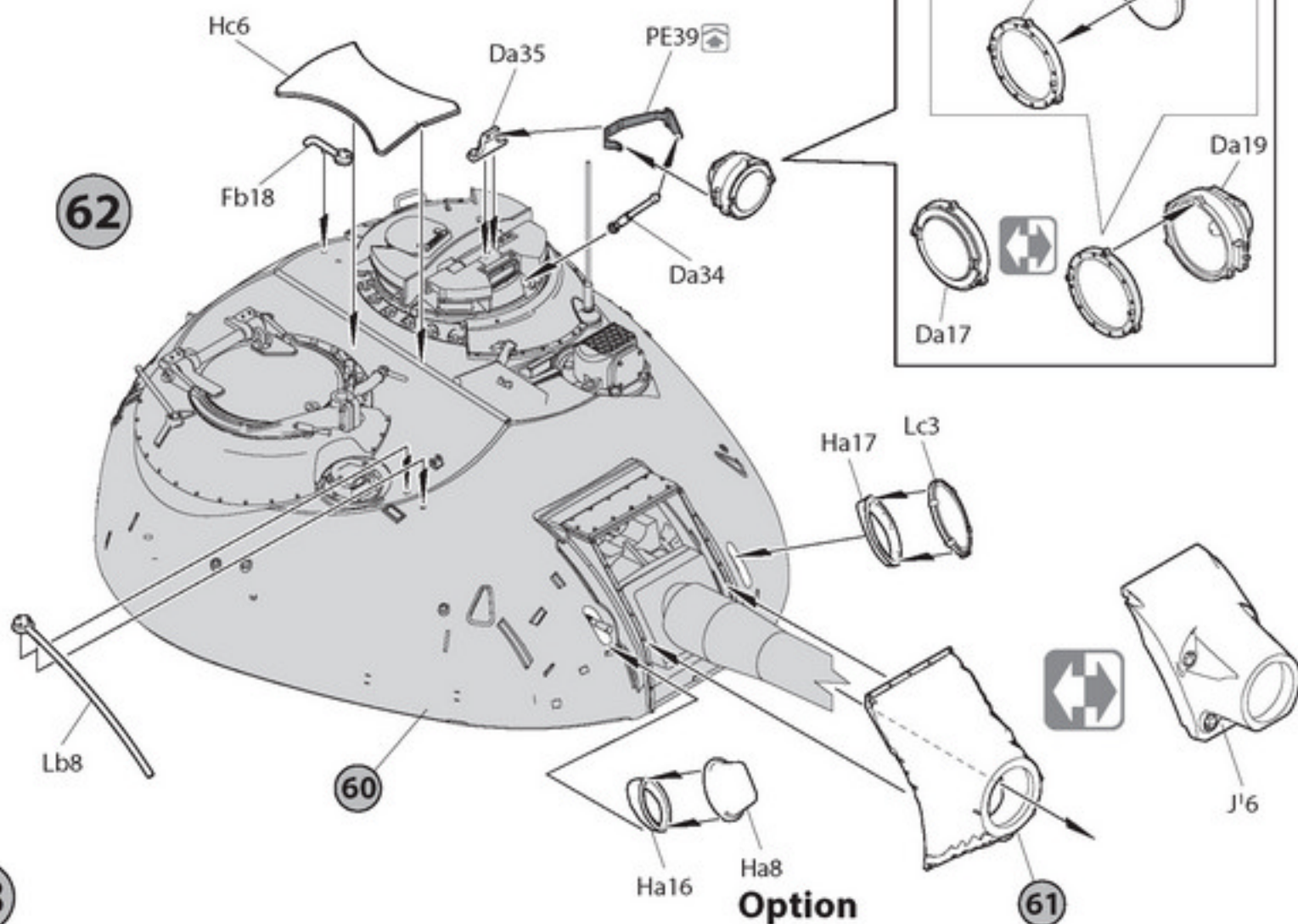
60



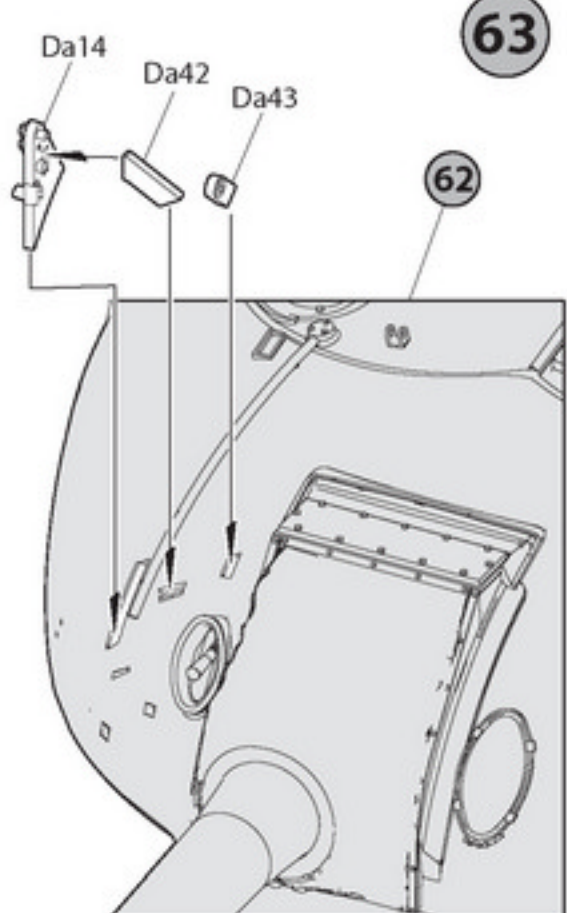
61



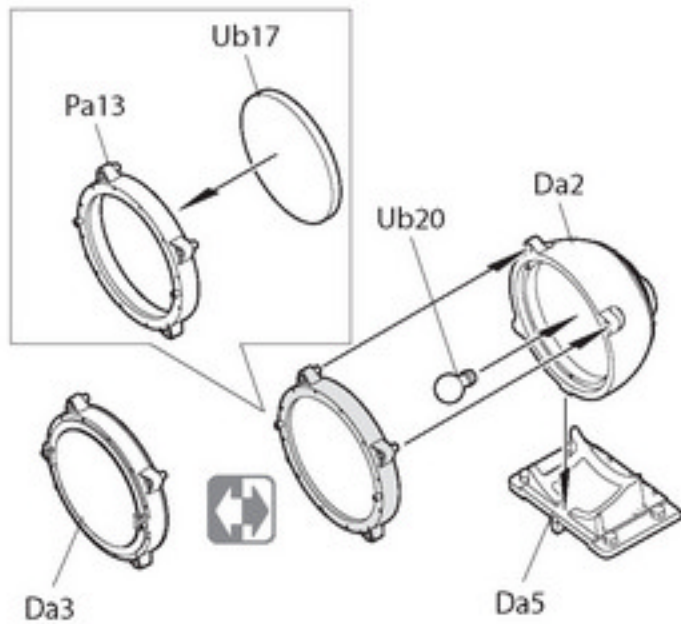
62



63

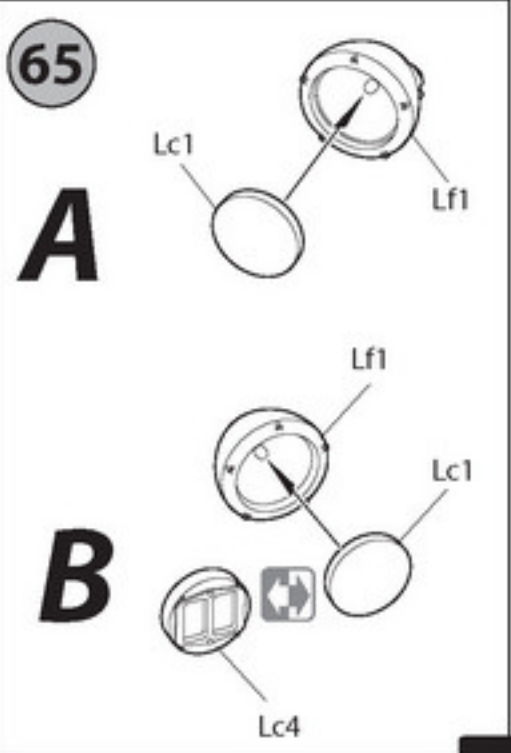


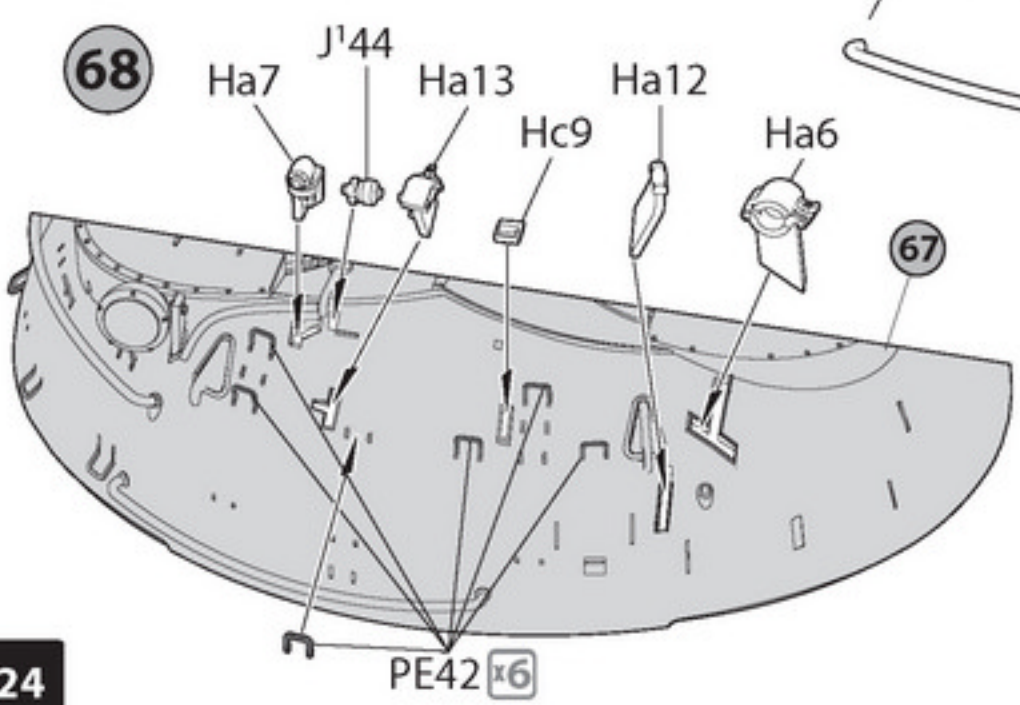
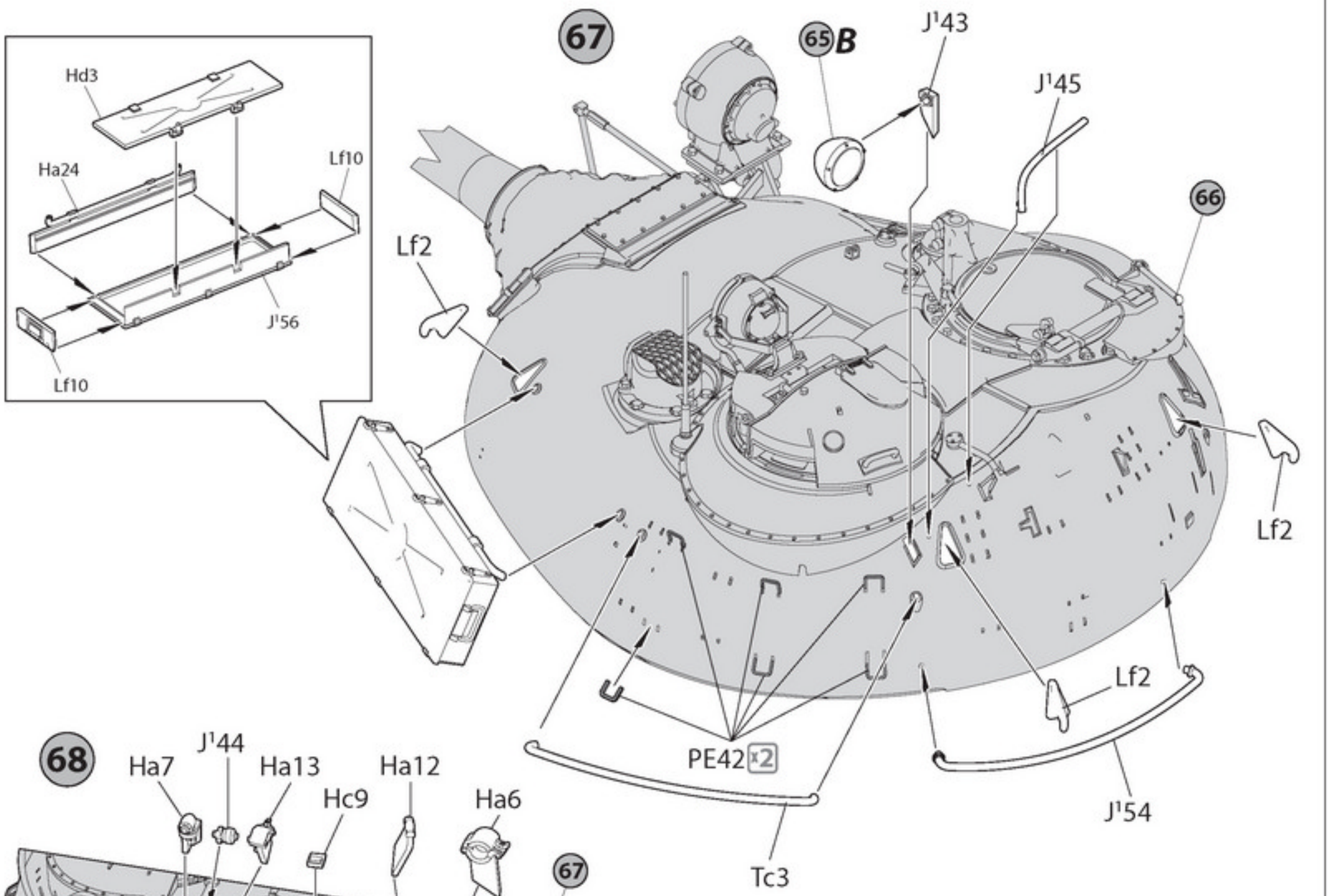
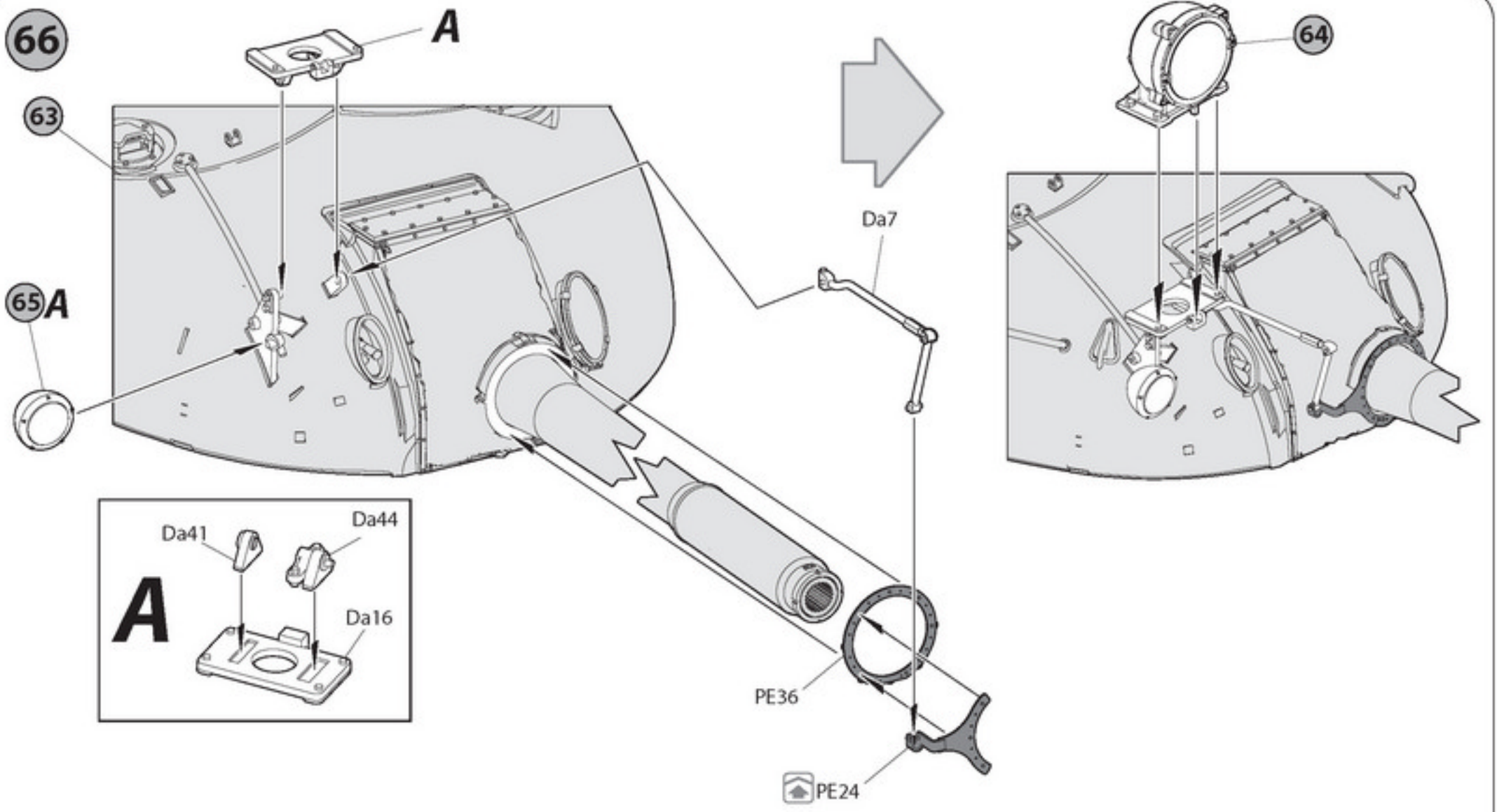
62



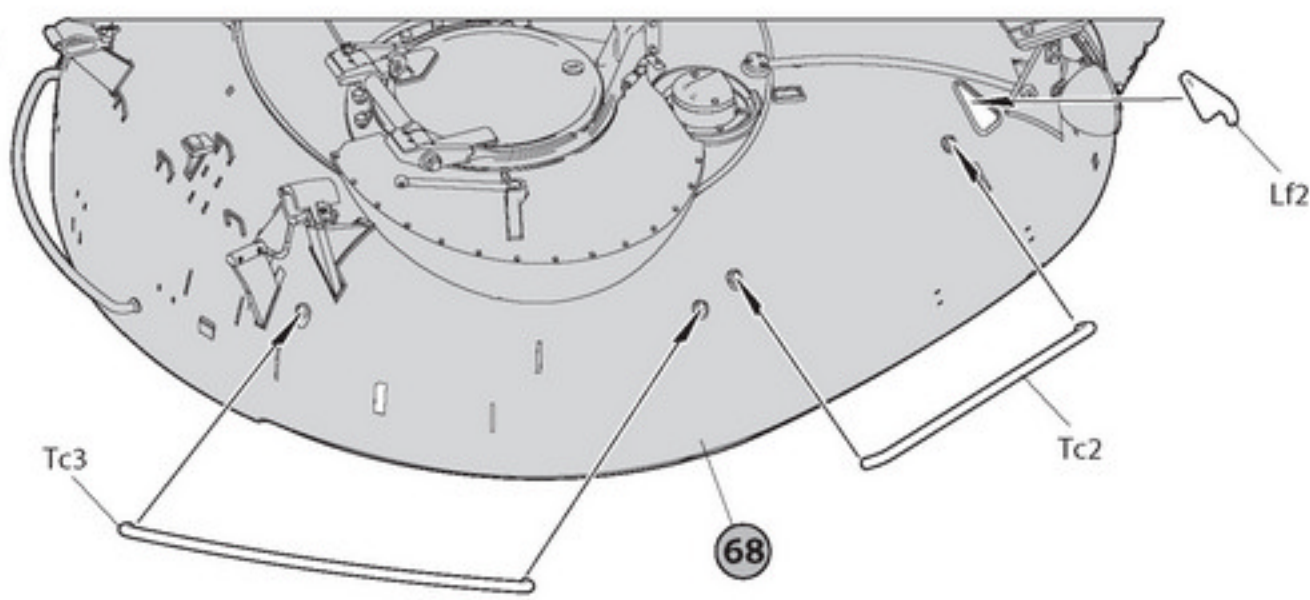
64

65

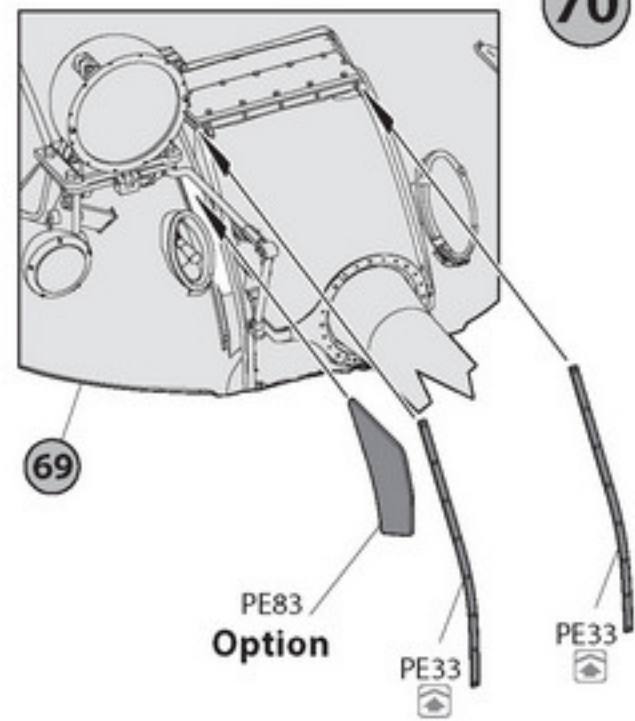




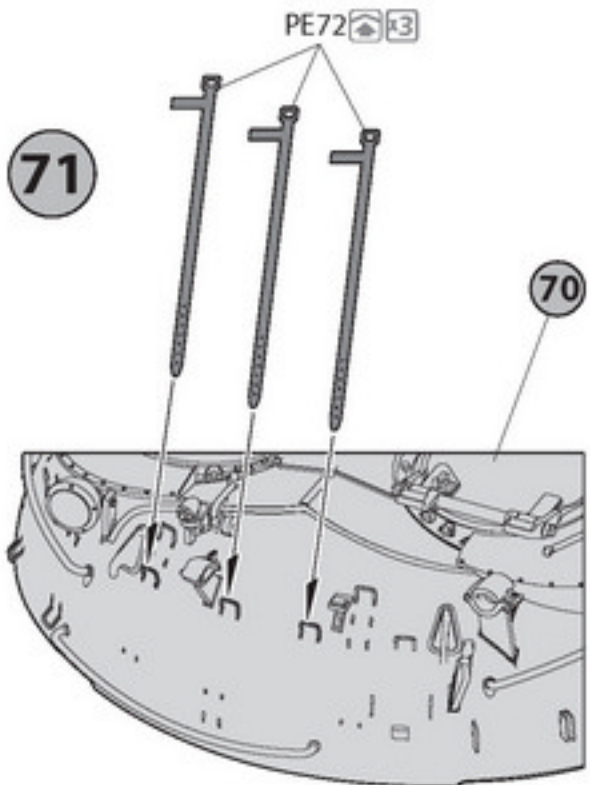
69



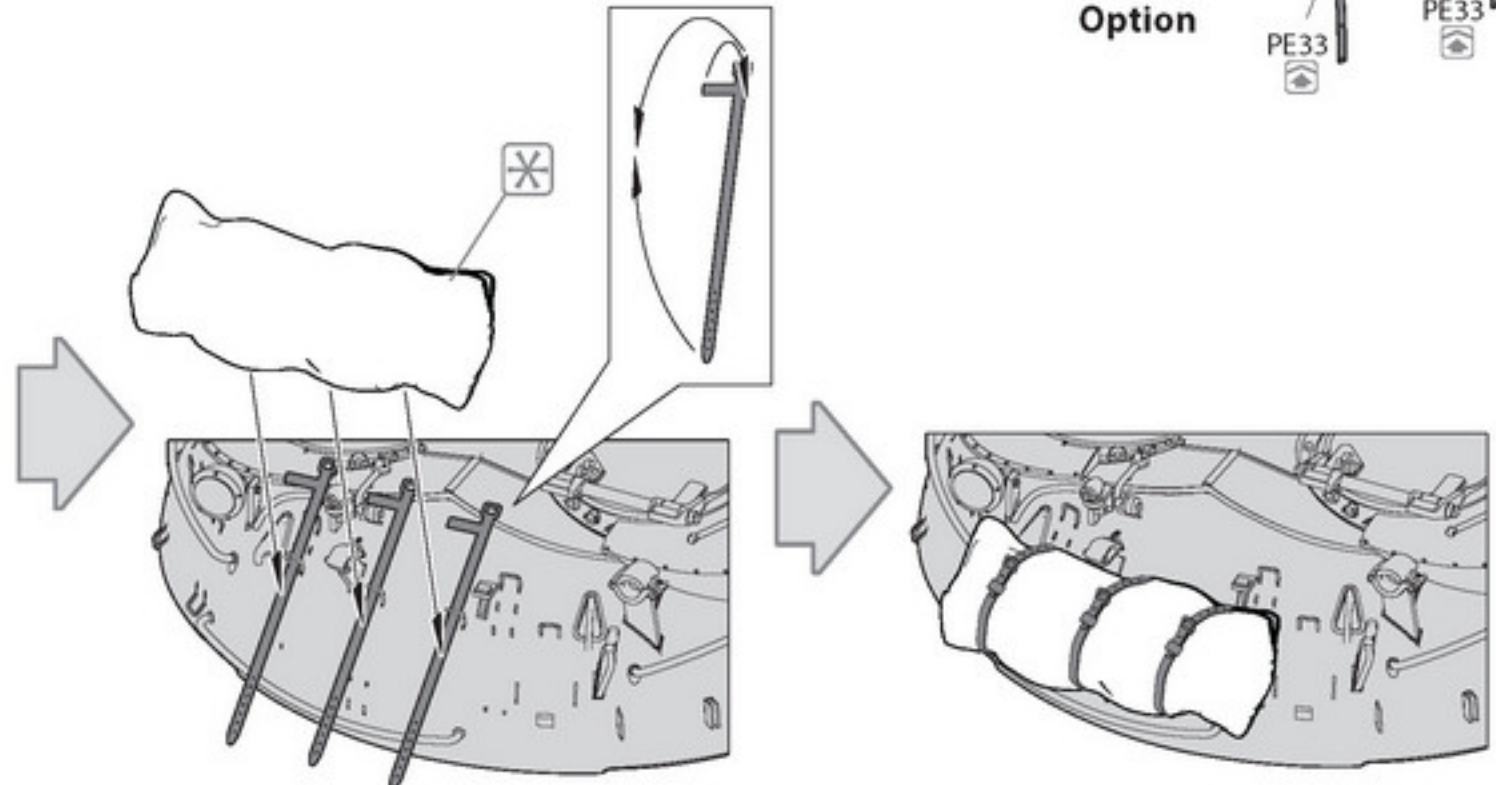
70



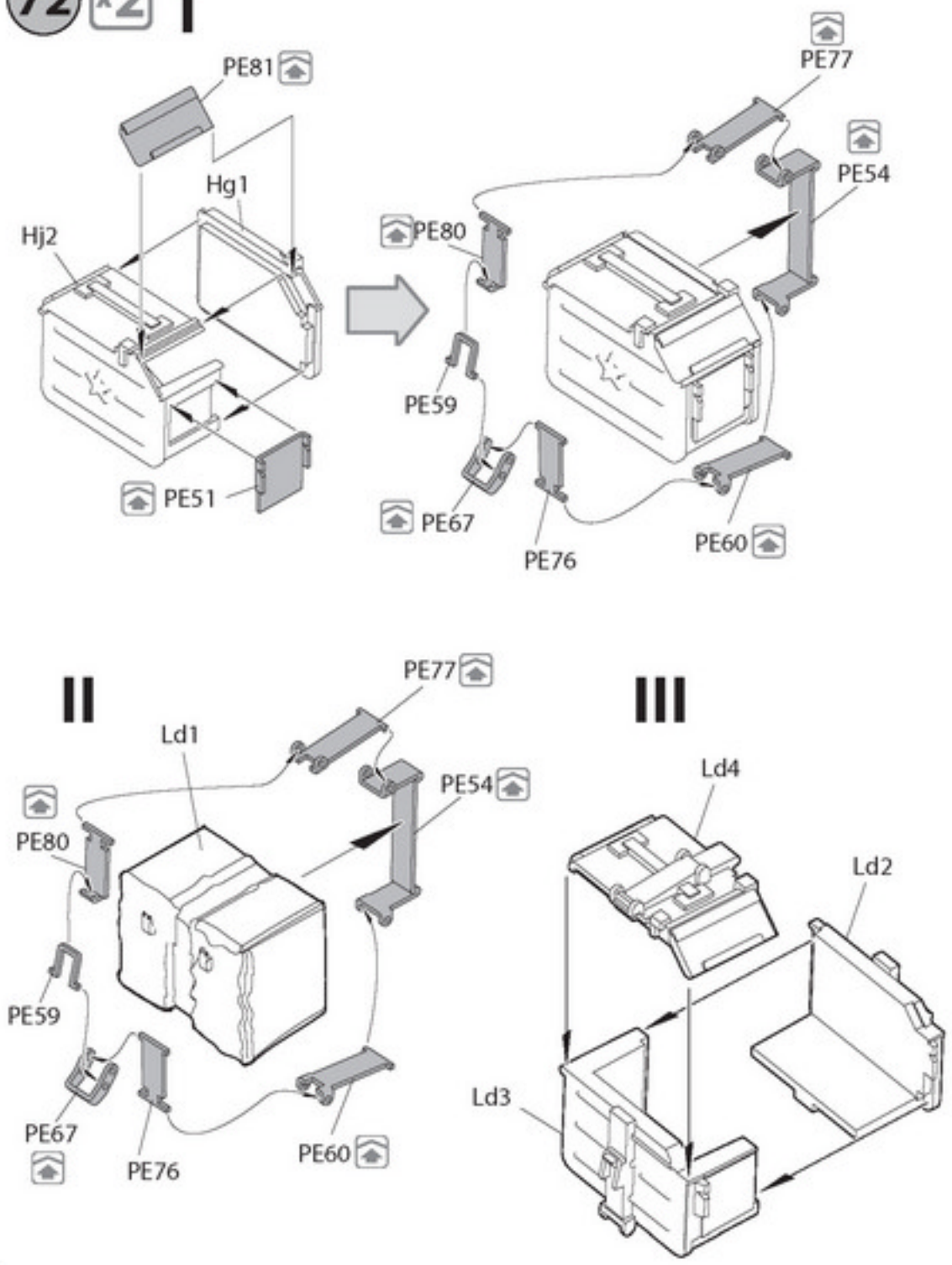
71



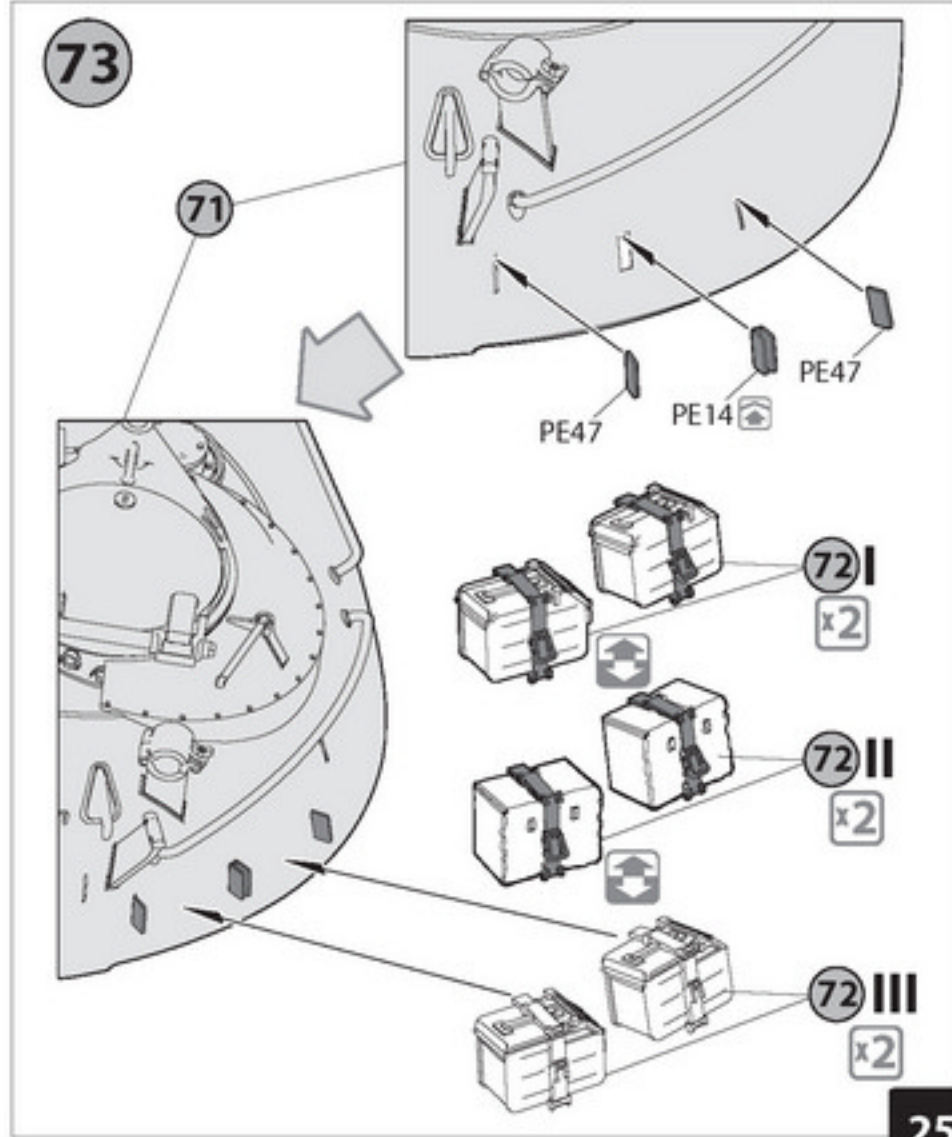
70

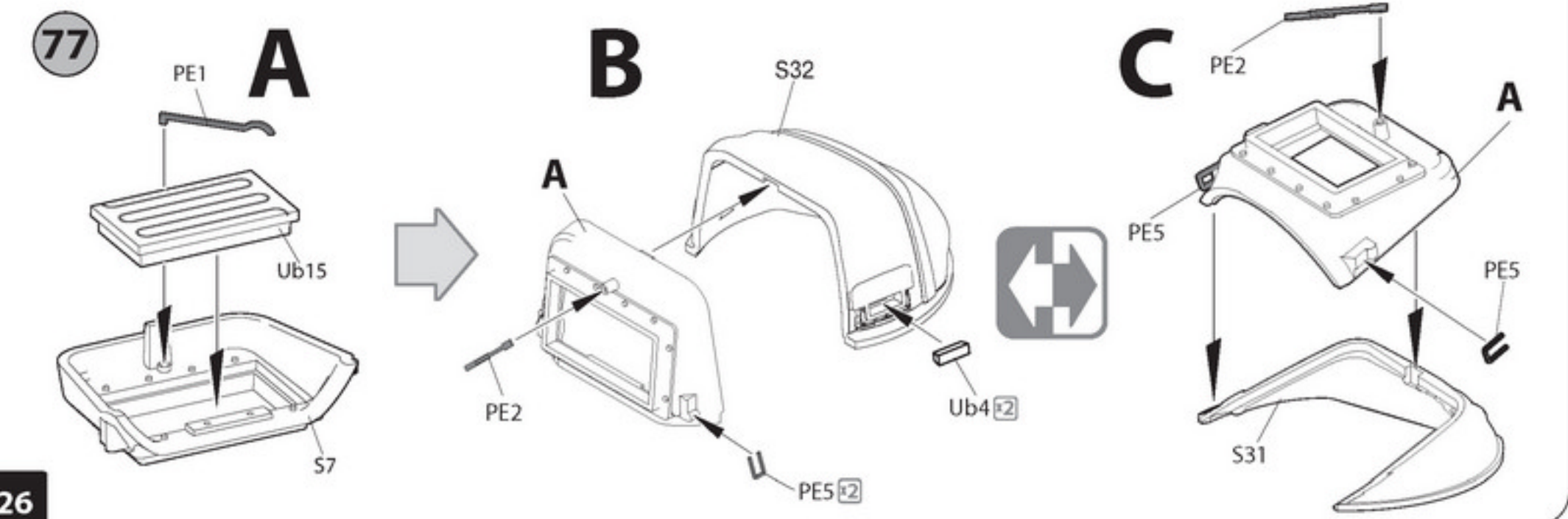
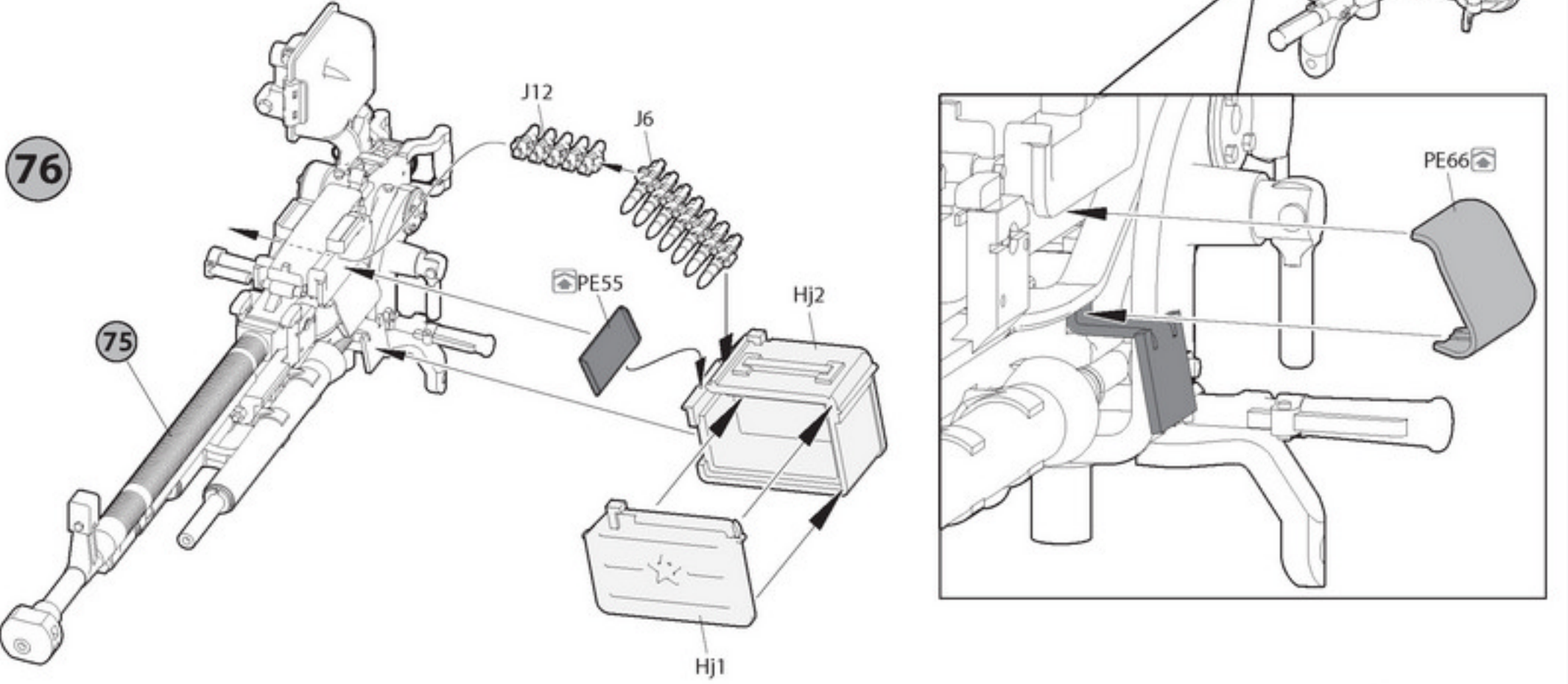
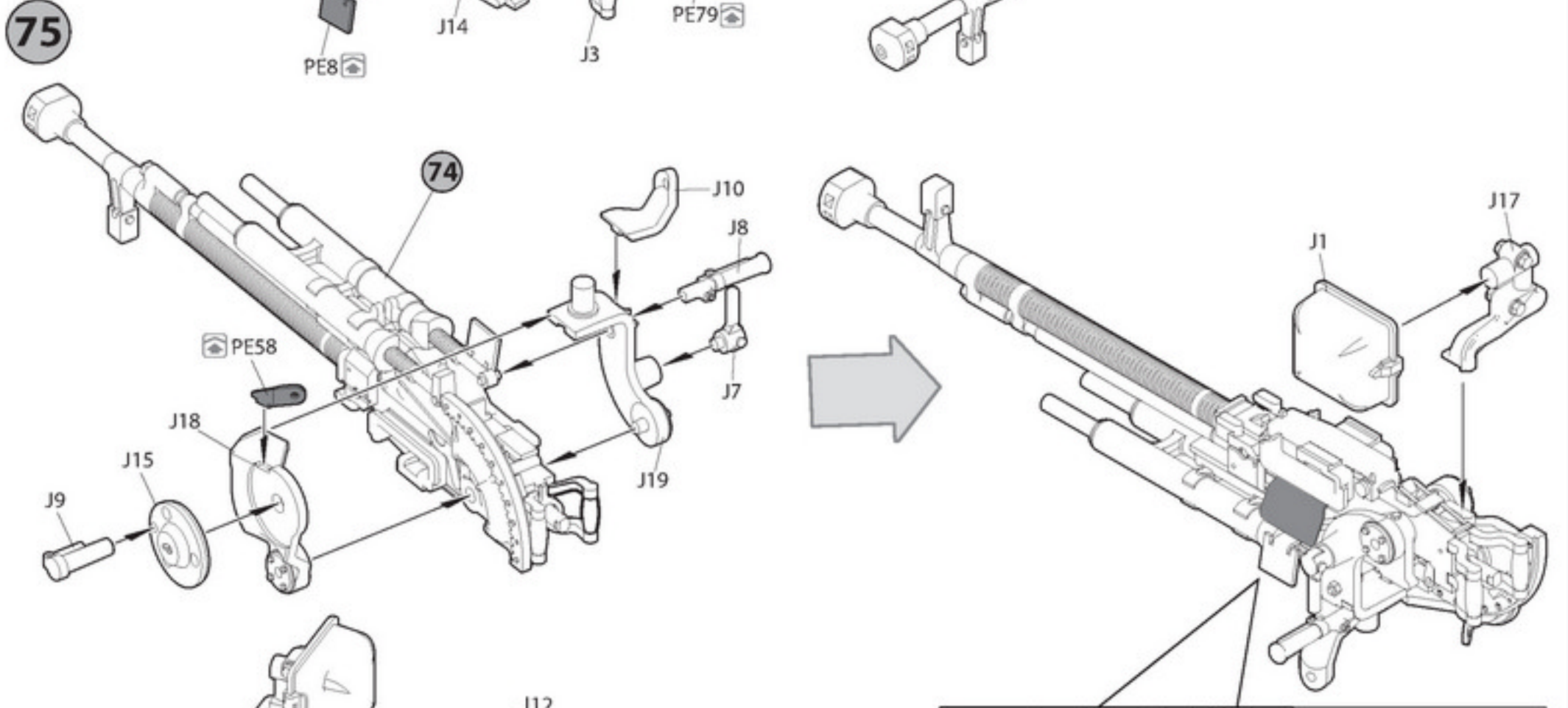
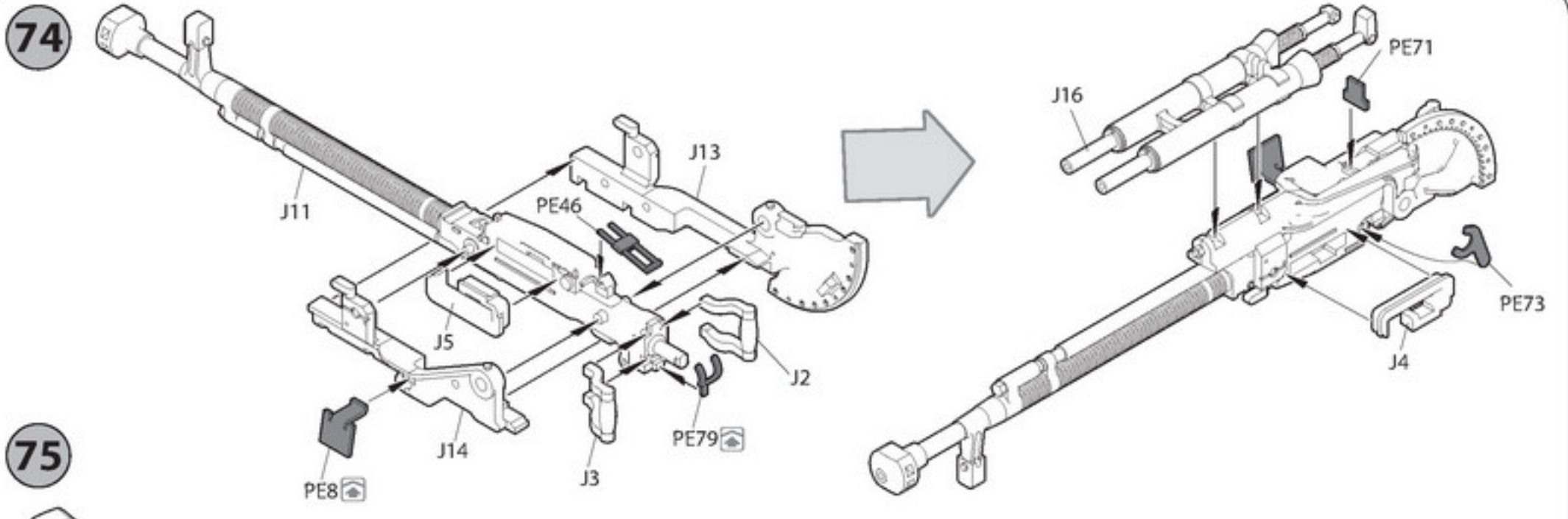


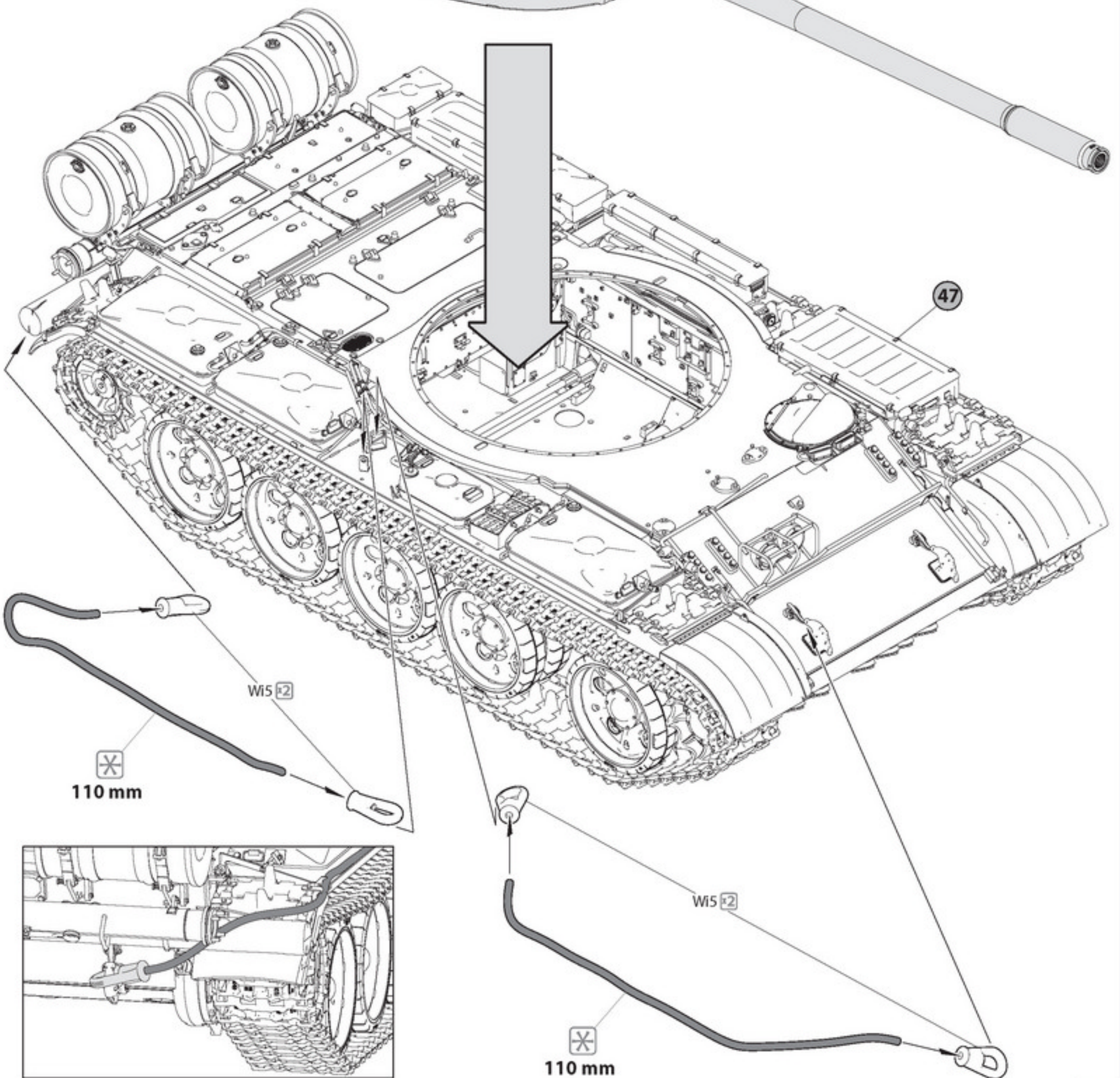
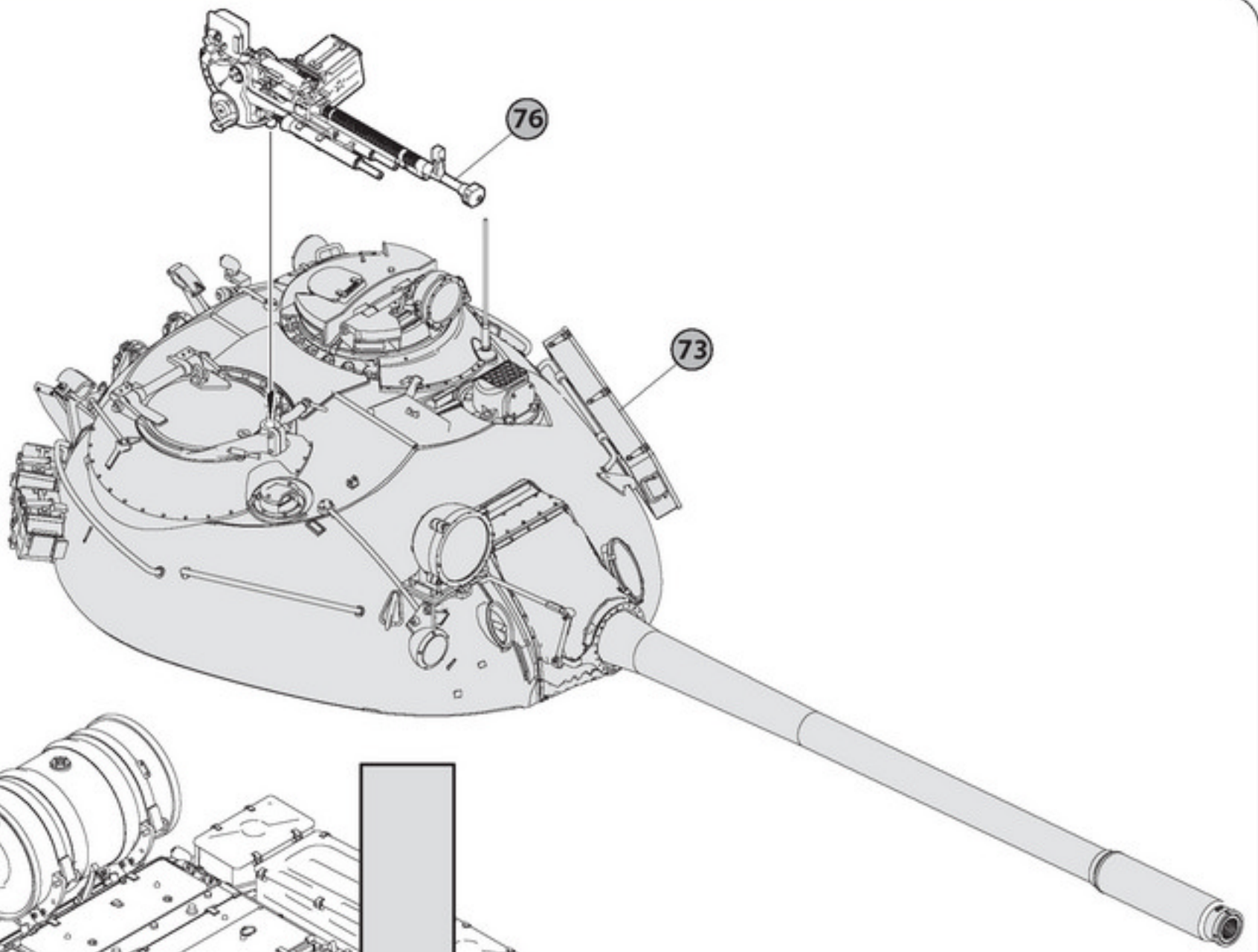
72 x2 I

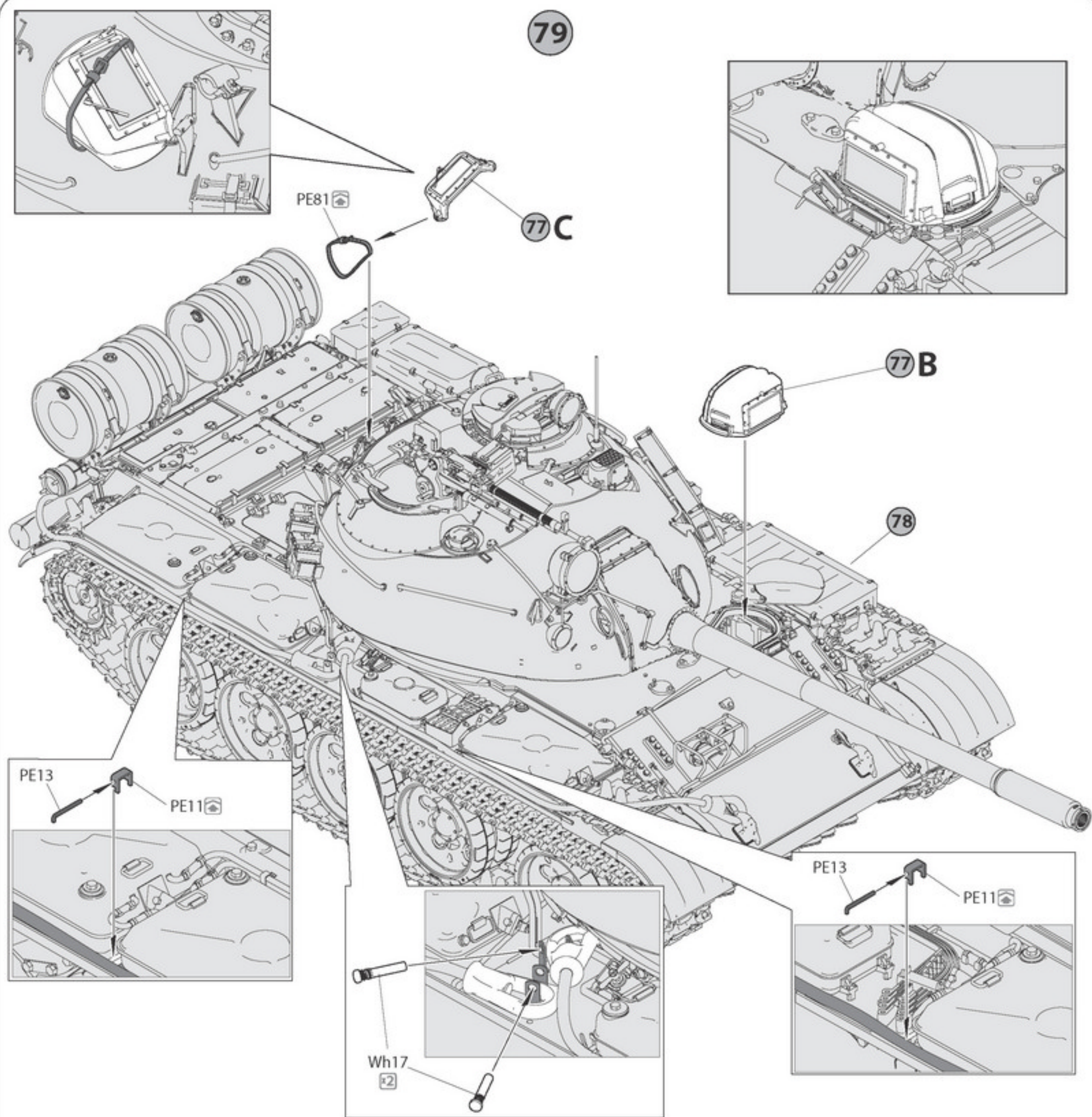


73





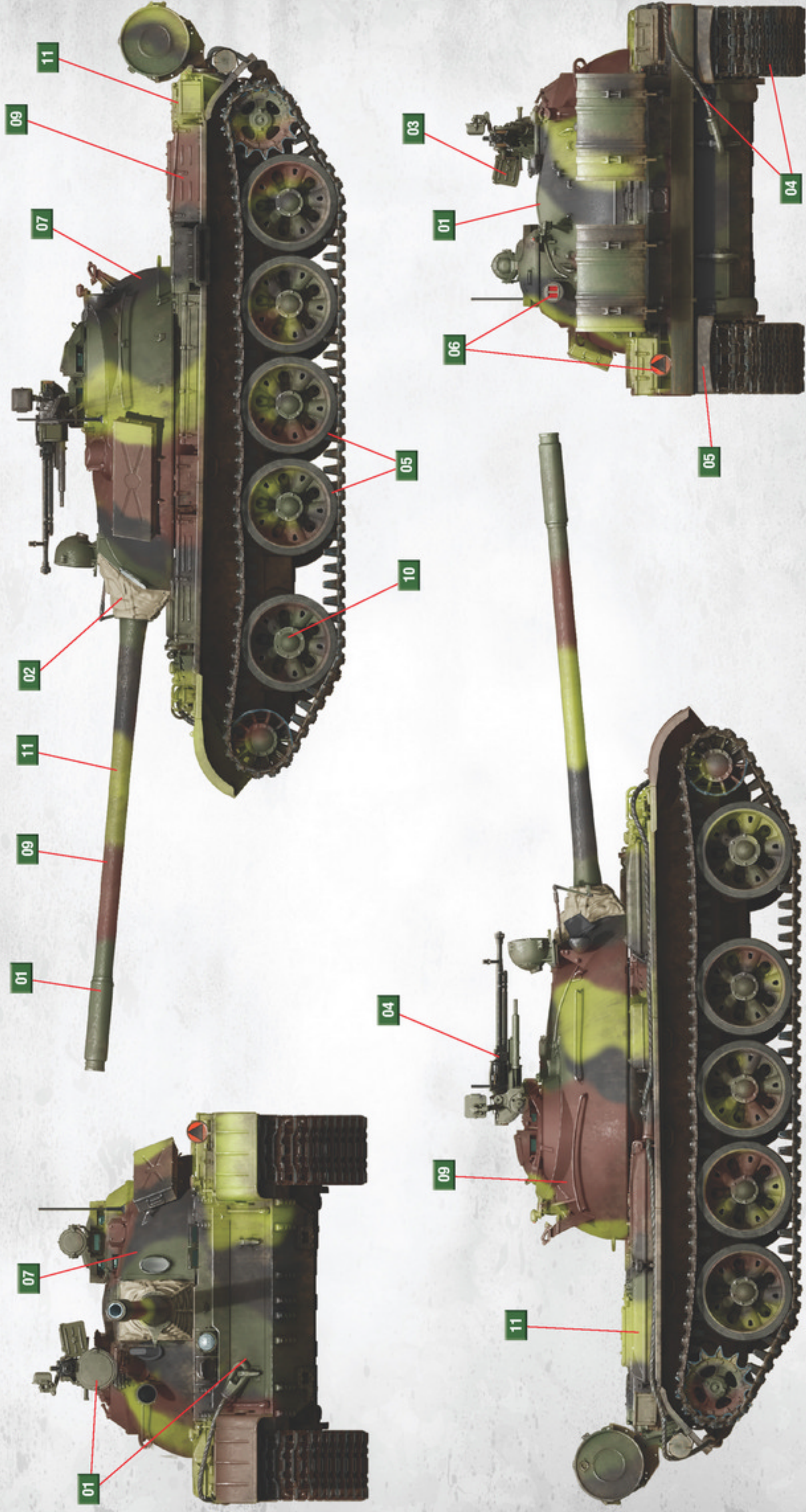




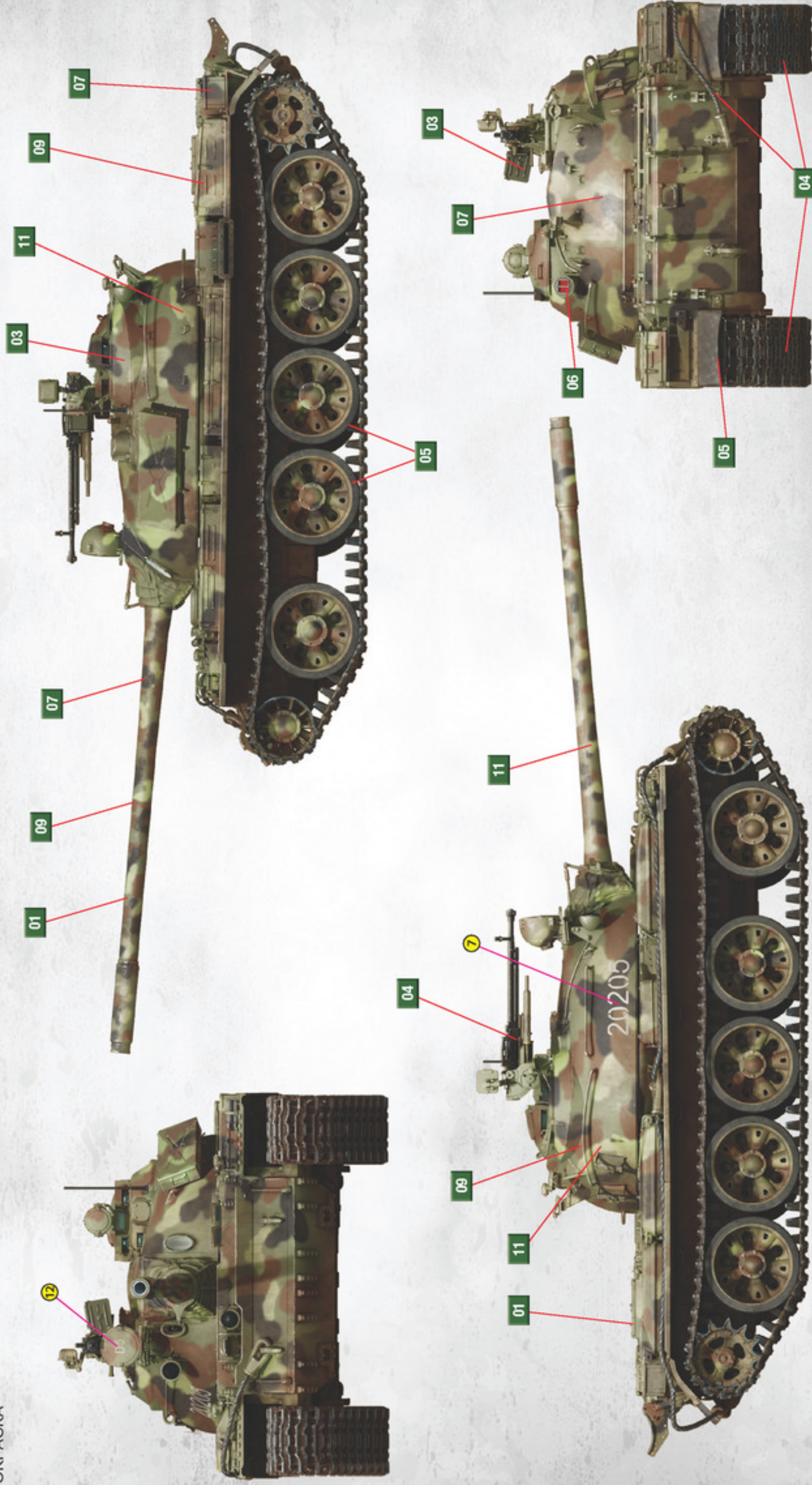
COLOR CHART

Nº	Color	Vallejo	Mr. Color	AK	Mission Models	AMMO MIG	Color name
01		70.850	136	RC-076	MMP-029	A.MIG-0083	Protective Green
02		70.924	012	RC-024	MMP-020	A.MIG-0056	Khaki
03		70.881	027	RC-262	MMP-059	A.MIG-0928	Olive Drab
04		70.863	078	RC-015	MMM-001	A.MIG-0045	Gun Metal
05		70.862	137	RC-022	MMP-040	A.MIG-0033	Tire Black
06		70.957	003	RC-006	MMP-003	A.MIG-0049	Red
07		70.950	033	RC-001	MMP-047	A.MIG-0046	Black
08		70.311	043	RC-029	MMP-076	A.MIG-0037	Wood
09		70.826	310	RC-035	MMP-033	A.MIG-0076	Brown
10		70.951	062	RC-004	MMP-001	A.MIG-0050	White
11		70.827	064	RC-078	MMP-068	A.MIG-0082	Light Green

PAINTING GUIDE **5** Polish Army. Lublin, 1995.
OKPACKA



PAINTING GUIDE **6** Yugoslav Army, Kosovo War, late 90s
OKPACKA



RELATED ITEMS

MILITARY MINIATURES SERIES

T-54-2

MOD. 1949

37004

INTERIOR KIT

UNASSEMBLED PLASTIC MODEL KIT WITH COMBINATION TOOL PARTS FOR CONSTRUCTION OF THE T-54-2 TANK. INCLUDES THE MAIN BODY PARTS TO BUILD PLASTIC MODEL OF THE TANK. INCLUDES: TURRET, MAIN GUN, ENGINE COMPARTMENT INTERIOR, WORKABLE TORSION BARS, FULL ANIMATION, 100+ POINTS. ALL PARTS CAN BE ASSEMBLED TOGETHER OR SEPARATELY. INCLUDES DETAILED INSTRUCTIONS.

SCALE 1:35



MILITARY MINIATURES SERIES

T-54-1

MOD. 1946

37003

INTERIOR KIT

UNASSEMBLED PLASTIC MODEL KIT WITH COMBINATION TOOL PARTS FOR CONSTRUCTION OF THE T-54-1 TANK. INCLUDES THE MAIN BODY PARTS TO BUILD PLASTIC MODEL OF THE TANK. INCLUDES: TURRET, MAIN GUN, ENGINE COMPARTMENT INTERIOR, WORKABLE TORSION BARS, FULL ANIMATION, 100+ POINTS. ALL PARTS CAN BE ASSEMBLED TOGETHER OR SEPARATELY. INCLUDES DETAILED INSTRUCTIONS.

SCALE 1:35



37009

T-54A

MILITARY MINIATURES SERIES

SCALE 1:35

INTERIOR KIT

UNASSEMBLED PLASTIC MODEL KIT WITH COMBINATION TOOL PARTS FOR CONSTRUCTION OF THE T-54A TANK. INCLUDES THE MAIN BODY PARTS TO BUILD PLASTIC MODEL OF THE TANK. INCLUDES: TURRET, MAIN GUN, ENGINE COMPARTMENT INTERIOR, WORKABLE TORSION BARS, FULL ANIMATION, 100+ POINTS. ALL PARTS CAN BE ASSEMBLED TOGETHER OR SEPARATELY. INCLUDES DETAILED INSTRUCTIONS.

MiniArt

MILITARY MINIATURES SERIES

T-54-3

MOD. 1951

37007

INTERIOR KIT

UNASSEMBLED PLASTIC MODEL KIT WITH COMBINATION TOOL PARTS FOR CONSTRUCTION OF THE T-54-3 TANK. INCLUDES THE MAIN BODY PARTS TO BUILD PLASTIC MODEL OF THE TANK. INCLUDES: TURRET, MAIN GUN, ENGINE COMPARTMENT INTERIOR, WORKABLE TORSION BARS, FULL ANIMATION, 100+ POINTS. ALL PARTS CAN BE ASSEMBLED TOGETHER OR SEPARATELY. INCLUDES DETAILED INSTRUCTIONS.

SCALE 1:35



TIRAN 4

EARLY TYPE

MILITARY MINIATURES SERIES

SCALE 1:35

INTERIOR KIT

UNASSEMBLED PLASTIC MODEL KIT WITH COMBINATION TOOL PARTS FOR CONSTRUCTION OF THE TIRAN 4 EARLY TYPE TANK. INCLUDES THE MAIN BODY PARTS TO BUILD PLASTIC MODEL OF THE TANK. INCLUDES: TURRET, MAIN GUN, ENGINE COMPARTMENT INTERIOR, WORKABLE TORSION BARS, FULL ANIMATION, 100+ POINTS. ALL PARTS CAN BE ASSEMBLED TOGETHER OR SEPARATELY. INCLUDES DETAILED INSTRUCTIONS.

37010



MILITARY MINIATURES SERIES

T-54B

EARLY PRODUCTION

37011

INTERIOR KIT

UNASSEMBLED PLASTIC MODEL KIT WITH COMBINATION TOOL PARTS FOR CONSTRUCTION OF THE T-54B EARLY PRODUCTION TANK. INCLUDES THE MAIN BODY PARTS TO BUILD PLASTIC MODEL OF THE TANK. INCLUDES: TURRET, MAIN GUN, ENGINE COMPARTMENT INTERIOR, WORKABLE TORSION BARS, FULL ANIMATION, 100+ POINTS. ALL PARTS CAN BE ASSEMBLED TOGETHER OR SEPARATELY. INCLUDES DETAILED INSTRUCTIONS.

SCALE 1:35



TIRAN 4Sh

EARLY TYPE

MILITARY MINIATURES SERIES

SCALE 1:35

INTERIOR KIT

UNASSEMBLED PLASTIC MODEL KIT WITH COMBINATION TOOL PARTS FOR CONSTRUCTION OF THE TIRAN 4Sh EARLY TYPE TANK. INCLUDES THE MAIN BODY PARTS TO BUILD PLASTIC MODEL OF THE TANK. INCLUDES: TURRET, MAIN GUN, ENGINE COMPARTMENT INTERIOR, WORKABLE TORSION BARS, FULL ANIMATION, 100+ POINTS. ALL PARTS CAN BE ASSEMBLED TOGETHER OR SEPARATELY. INCLUDES DETAILED INSTRUCTIONS.

37021



MILITARY MINIATURES SERIES

TIRAN 4 SHARIR

LATE TYPE

37013

INTERIOR KIT

UNASSEMBLED PLASTIC MODEL KIT WITH COMBINATION TOOL PARTS FOR CONSTRUCTION OF THE TIRAN 4 SHARIR LATE TYPE TANK. INCLUDES THE MAIN BODY PARTS TO BUILD PLASTIC MODEL OF THE TANK. INCLUDES: TURRET, MAIN GUN, ENGINE COMPARTMENT INTERIOR, WORKABLE TORSION BARS, FULL ANIMATION, 100+ POINTS. ALL PARTS CAN BE ASSEMBLED TOGETHER OR SEPARATELY. INCLUDES DETAILED INSTRUCTIONS.

SCALE 1:35



RELATED ITEMS

T-55A
EARLY MOD. 1965

MILITARY MINIATURES SERIES

INTERIOR KIT



DECAL'S OPTIONS

- USSR
- HUNGARY
- SERBIA
- TUROLAVIA
- ROMANIA

37016
1:35

MiniArt

T-55A
MOD. 1981

MILITARY MINIATURES SERIES

INTERIOR KIT



1:35

37020

MiniArt

INTERIOR KIT

T-55A
LATE MOD. 1965

MILITARY MINIATURES SERIES



1:35

37022

MiniArt

T-55 MOD. 1963

MILITARY MINIATURES SERIES

INTERIOR KIT



SCALE 1:35

37018

MiniArt

DECAL'S OPTIONS

- CUBA
- VIETNAM
- FINLAND
- IRAN
- IRAQ
- EGYPT
- ETHIOPIA
- SYRIA
- USSR

MILITARY MINIATURES SERIES

37039

BMR-1
LATE MOD.
WITH KMT-7



1:35

MiniArt

BMR-1 EARLY MOD.
WITH KMT-5M
MINE CLEARING ARMORED VEHICLE

MILITARY MINIATURES SERIES



SCALE 1:35

37034

MiniArt

MILITARY MINIATURES SERIES

37026

CHINESE MEDIUM TANK
TYPE 59
EARLY PROD
59式坦克 早期生产型



SCALE 1:35

MiniArt

UKRAINIAN
BMR-1
w/ KMT-9

MILITARY MINIATURES SERIES



SCALE 1:35

37043

MiniArt