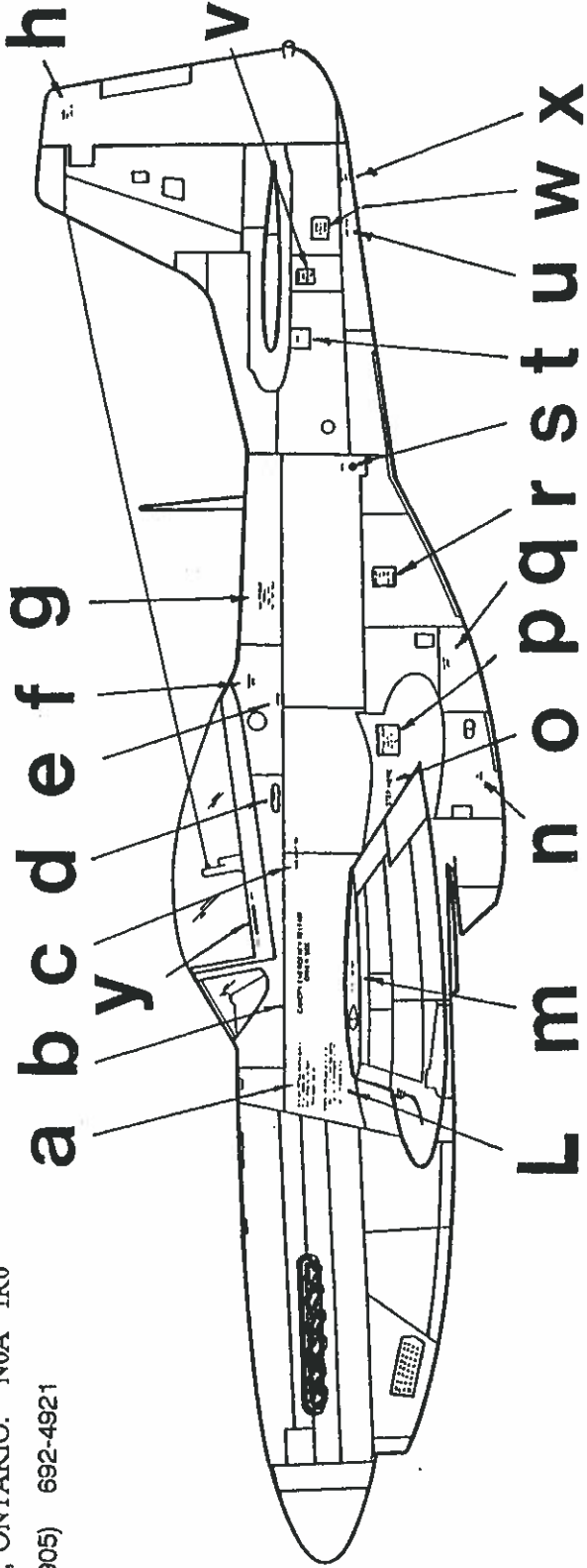


SEE YOUR LOCAL RETAILER FOR OTHER DECAL SUBJECTS,

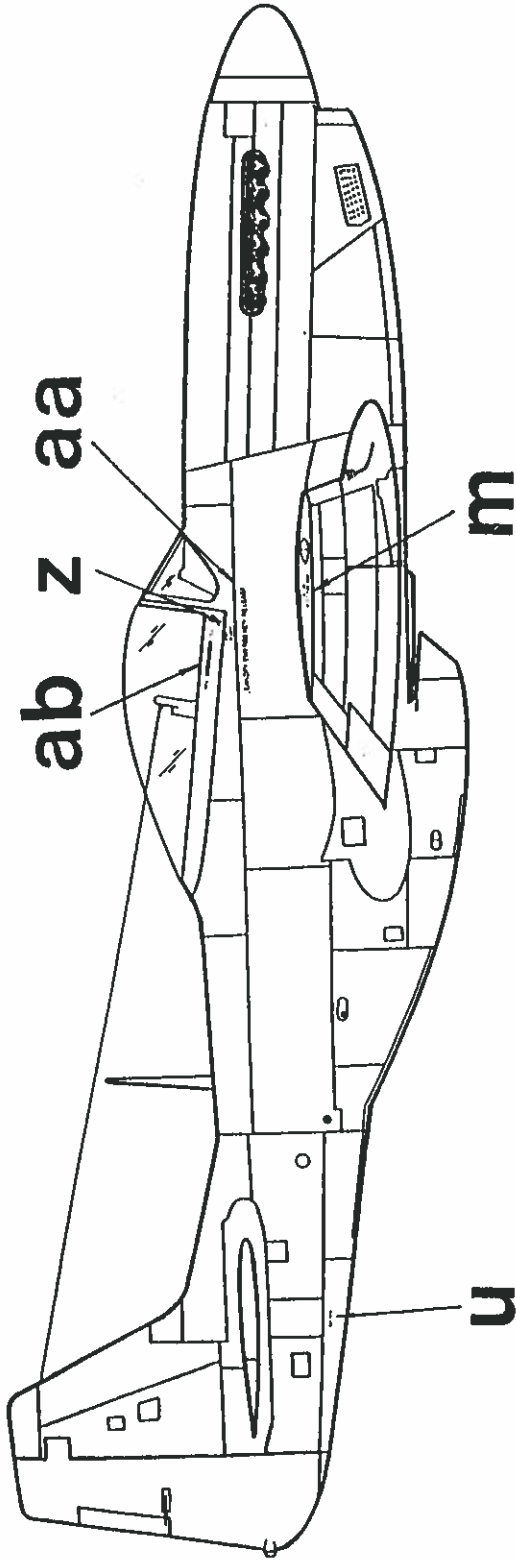


OR WRITE TO:

ARROW GRAPHICS, R.R. NO. 1,
YORK, ONTARIO. N0A 1R0
(905) 692-4921

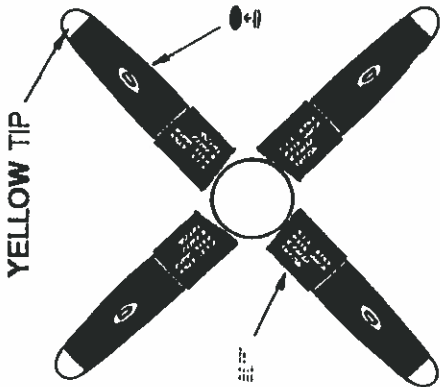


a b c d e f g h
L m n o p q r s t u v w x



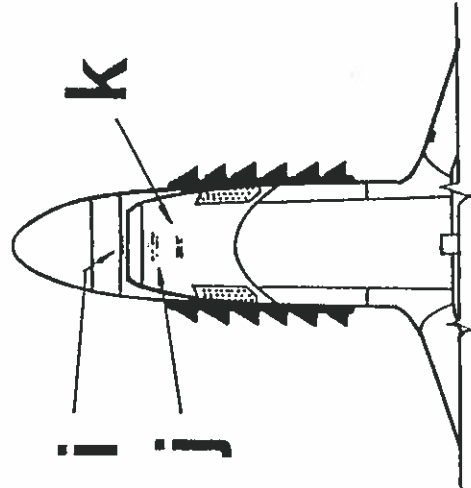
ab z aa

m



PROPELLER MARKINGS

FACTORY BALANCED
PROPELLER ASSEMBLIES HAD
CONSECUTIVE SERIAL
NUMBERS ON EACH PROP,
APPLIED IN CLOCKWISE ORDER



k

i j

THE PROPELLER "SCRIBBLES" ARE LOCATED AS INDICATED ON THIS PARTIAL VIEW OF THE DECAL SHEET. EXAMINE CLOSELY

© by ARROW GRAPHICS - 1993



281
9281

THIS DRAWING SHOWS THE LOCATION OF VARIOUS AIRFRAME MAINTENANCE AND SERVICE DATA, AS OFFICIALLY SPECIFIED FOR APPLICATION TO THE MUSTANG MARK 4, IN SERVICE WITH THE ROYAL CANADIAN AIR FORCE.