

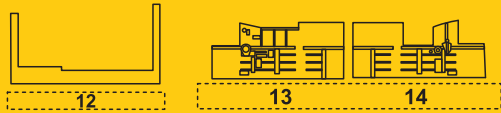
7485
1/72

Spitfire Mk.VC Cockpit

for Airfix kit



PUR - Polyurethane parts



PE - Photo-etched parts



Film



© Special Hobby 2022

Díly ohnuté popř. pokroutené vlivem teplotních změn a stárnutí materiálu, mohou být narovnané do požadovaného tvaru pomocí proudu teplé vody nebo vzduchu (fén na vlasy). K lepení použít kyanoakrylátové lepidlo! Kontaktní plochy doporučujeme před lepením odmastit. Různé drátky a tyčinky nejsou přiloženy.

Parts slightly distorted and bent owing to temperature changes or due to material ageing can be straightened to requested shape by hot water or hot air jet (hair dryer). This process can be repeated till result is entirely satisfactory. For best result use cyanoacrylate glue! Contact areas ungrease is recommended before gluing. Wires and rods not included.

Visit our official website and e-shop at
www.cmkkits.com

www.specialhobby.eu

www.facebook.com/specialhobby/



OTHER 1/72 SETS / OSTATNÍ SETY 1/72

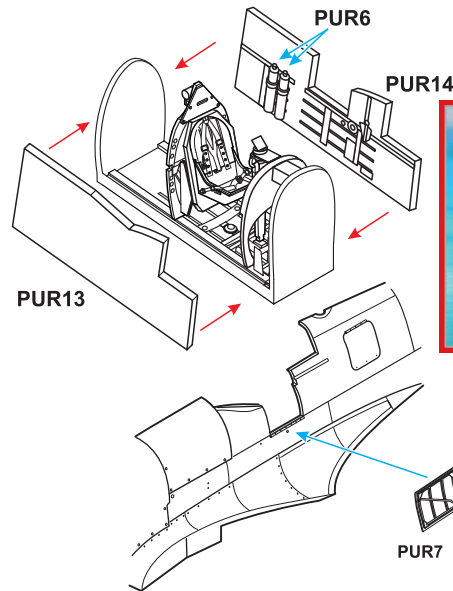
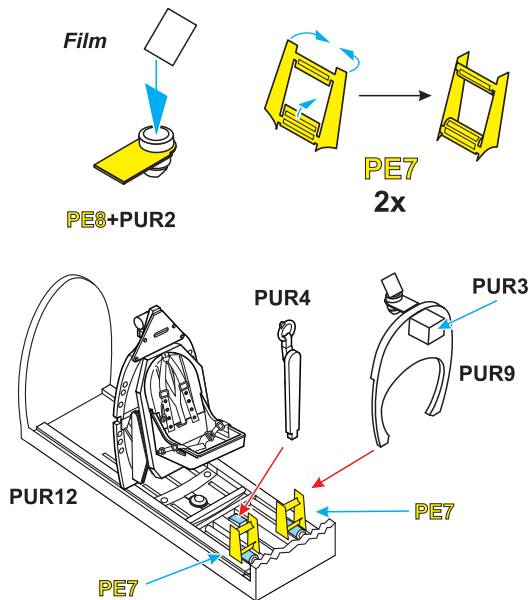
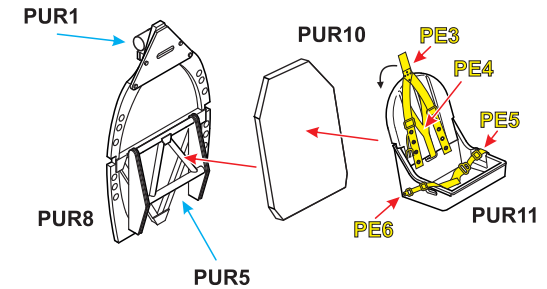
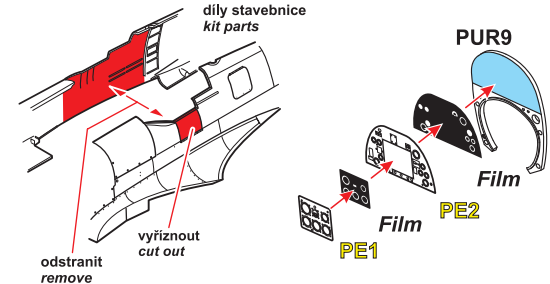


Use this!

CMK H1010

The Razor Saw with Handle (cat. n. H1010) is a great tool for cutting both plastic and resin. CMK also offers a wide variety of coarse / medium / fine saws.

Special Hobby, Mezilesí 718, Praha 9, 193 00, Czech Republic
e-mail: office@specialhobby.eu



Special Hobby also offers excellent
1/72 Messerschmitt Bf 109E kits
and detailed sets for these and other kits.



find more at specialhobby.eu